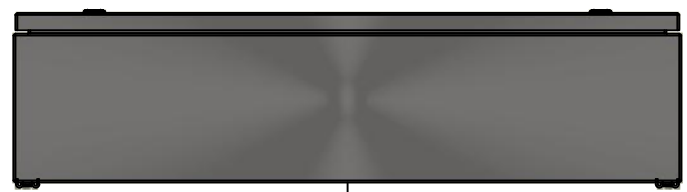
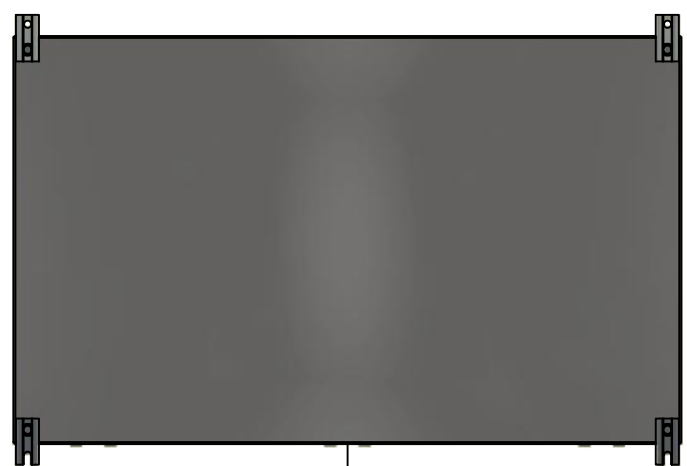


This drawing is confidential and must not be reproduced or used without the consent of EXM

Ce dessin est confidentiel et ne doit pas être reproduit ou utilisé sans le consentement de EXM



TOP



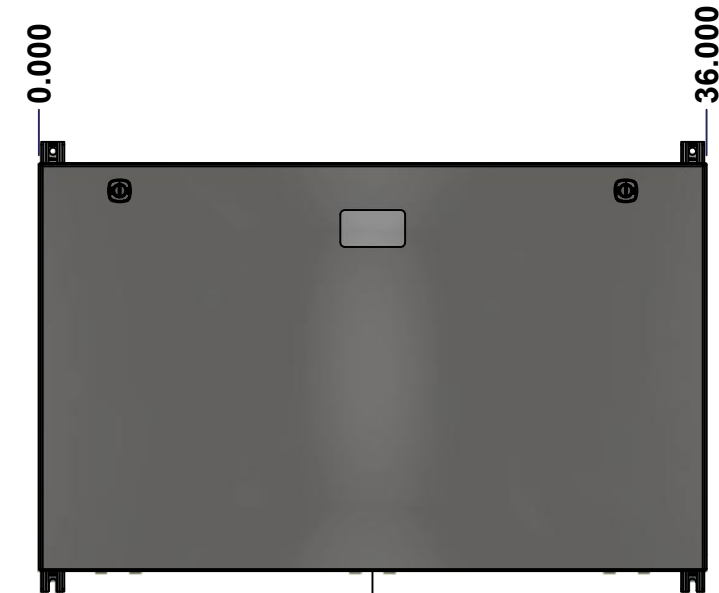
BACK



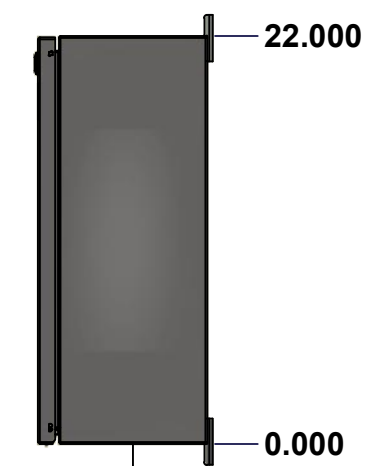
BOTTOM



LEFT

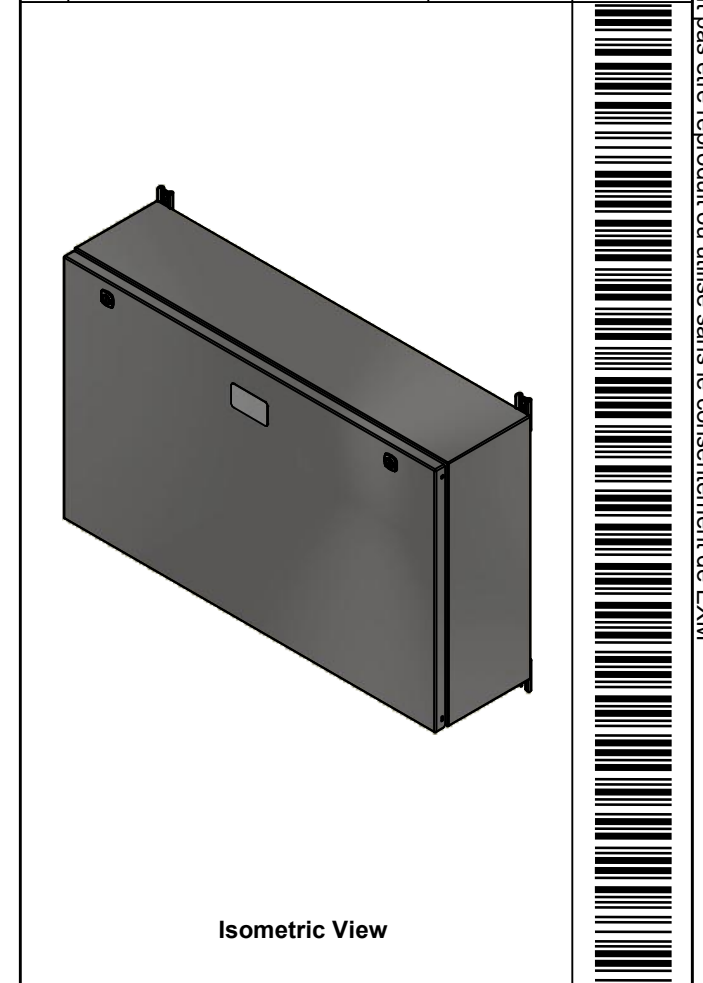



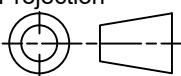
FRONT



RIGHT

| No. | Revisions | Date | By/Par |
|-----|-----------|------|--------|
| | | | |
| | | | |
| | | | |
| | | | |



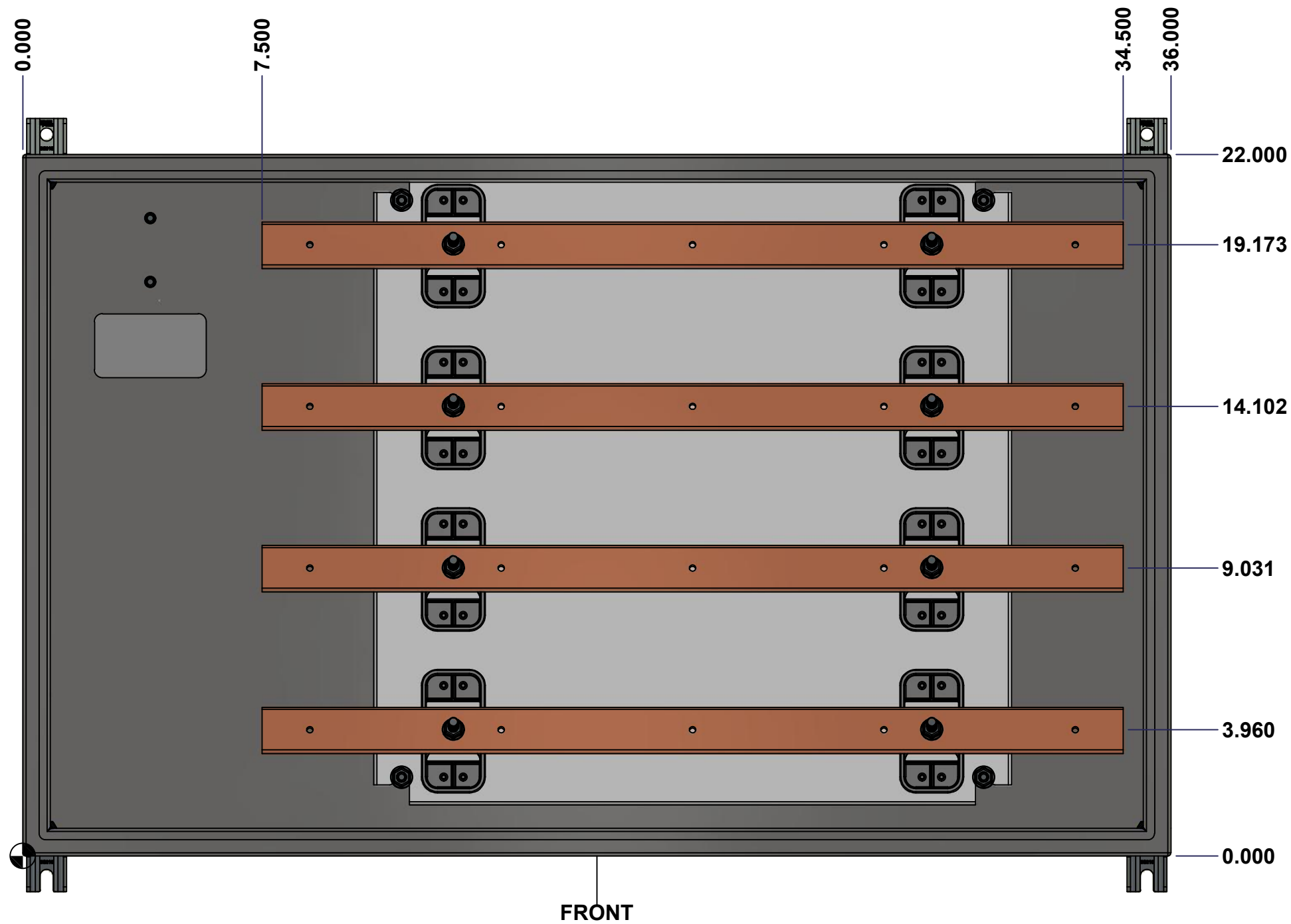
| | |
|--|---|
|  Tél: (450) 979-4373 Fax: (450) 979-4626 www.exmweb.com | Flatness Aplatissement Max 3.0mm |
| | Projection  |
| Customer Client | Date |
| Drawn By Dessiné Par BoxCad: BoxCad | Date 2022-11-02 |
| Material Matière 14 Ga Stainless Steel 304 (1.7mm) | |
| Color Couleur Unpainted | Finish Fini Brushed |
| Description 1412BTSSCU 400A - 4Wires x 36" Assembly | |
| Part Number Numéro Pièce 1412BTSSCU03404DT | Detail Rev. Rev. 1 0 |

SEE BILL OF MATERIAL ON LAST PAGE

This drawing is confidential and must not be reproduced or used without the consent of Eurobox

Ce dessin est confidentiel et ne doit pas être reproduit ou utilisé sans le consentement de Eurobox

STANDARD FEATURES ARE NOT LISTED IN THIS HOLE TABLE



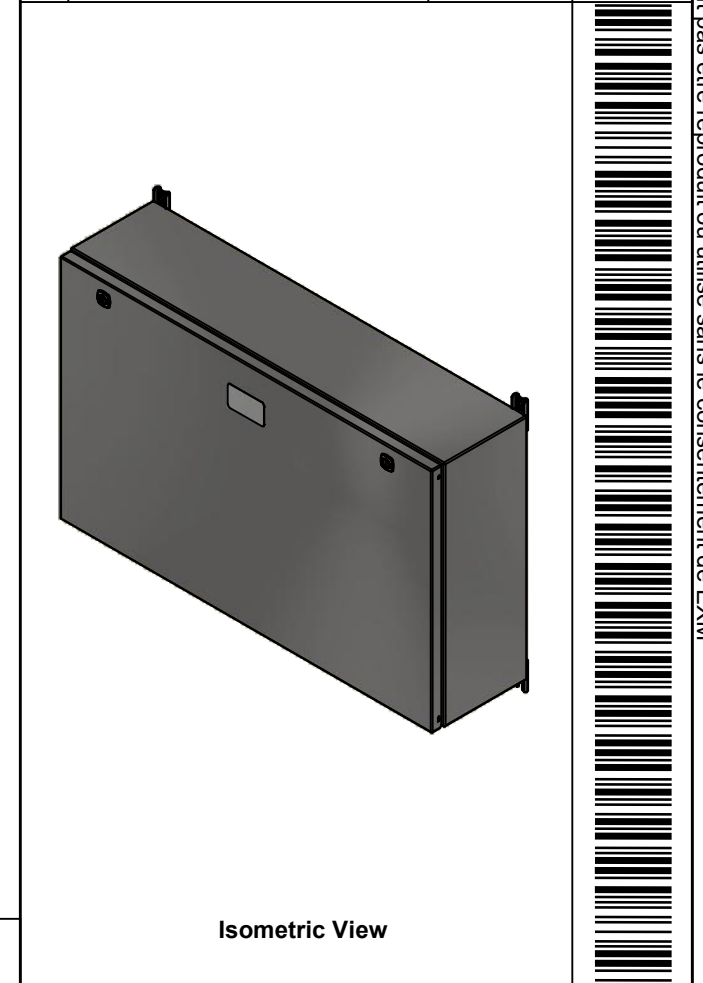
| | | | |
|--|---|--|--------------------|
| | Description 1412BTSSCU 400A - 4Wires x 36" Assembly | | Status (NULL) |
| | Part Number Numéro Pièce 1412BTSSCU03404DT | | Rev. 2 0 |

This drawing is confidential and must not be reproduced or used without the consent of EXM

Ce dessin est confidentiel et ne doit pas être reproduit ou utilisé sans le consentement de EXM

| NOTE | |
|------|--|
| ITEM | DESCRIPTION |
| 1 | NEMA 4X Enclosure |
| 2 | C/W Standard ground studs on box and cover |
| 3 | W/O Standard door stiffener |
| 4 | C/W Special inner panel (Sold separately) |
| 5 | C/W Standard inner panel mounting studs |

| No. | Revisions | Date | By/Par |
|-----|-----------|------|--------|
| | | | |
| | | | |
| | | | |
| | | | |
| | | | |
| | | | |



| PACKING | | |
|-----------------------|-----|--|
| ITEM | QTY | DESCRIPTION |
| Cardboard sleeve | 2 | Top and Bottom |
| Cardboard strip | 2 | Between back of enclosure and inner panel |
| Plastic bag | 1 | To protect cover surface and inside gasket |
| Cardboard corner | 4 | To reinforced for the plastic strap tightening |
| Plastic strap - Black | 2 | To Squeeze 2 cardboard sleeve together |
| Packaging label | 3 | White label with PN |
| Plastic strap- Green | 2 | To secure the enclosure to the wood pallet |
| Wood Pallet | 1 | 2" deeper and 3" larger than enclosure size |

| | | | |
|------------|--------------------------|-----|--|
| 3 | STK-Q-04051-07 | 8 | M6 x 7mm Stainless Steel Hexagon Socket Head Machine Screw with Nyseal |
| 1 | 885 ESMF2 | 0 | 885 ESMF2 Stainless Steel Mounting Feet Kit |
| 1 | 1412BTSSCU03404DTBA R4-P | 0 | Rounded Edge Copper Bar 3/16" x 1 1/2" |
| 1 | 1412BTSSCU03404DTBA R1-P | 0 | Rounded Edge Copper Bar 3/16" x 1 1/2" |
| 1 | 1412BTSSCU03404DTBA R2-P | 0 | Rounded Edge Copper Bar 3/16" x 1 1/2" |
| 1 | 1412BTSSCU03404DTBA R3-P | 0 | Rounded Edge Copper Bar 3/16" x 1 1/2" |
| 1 | 1412BTSSCU03404DTIP1 | 0 | 1412BTSSCU 19.838" x 20" Inner Panel |
| 8 | STK-A-67400 | 0 | Buss Bar Insulator Kit |
| 1 | STK-K-01800 | 5 | 5412 ES Accessory Kit |
| 12 | STK-Q-07310 | 2 | Flange Lock Nut M8 |
| 4 | STK-Q-07610 | 8 | M8 Plastic Spacer 22.2mm |
| 1 | 1412BTSSCU03404DTB | 0 | 1412BTSSCU 22" x 36" x 8" Body |
| 1 | 1412BTSSCU03404DTC | 0 | 1412BTSSCU 22" x 36" Cover |
| Qty | Part Number | Rev | Description |
| Parts List | | | |

Tél: (450) 979-4373
Fax: (450) 979-4626
www.exmweb.com

Flatness
Aplatissement
Max 3.0mm

Projection

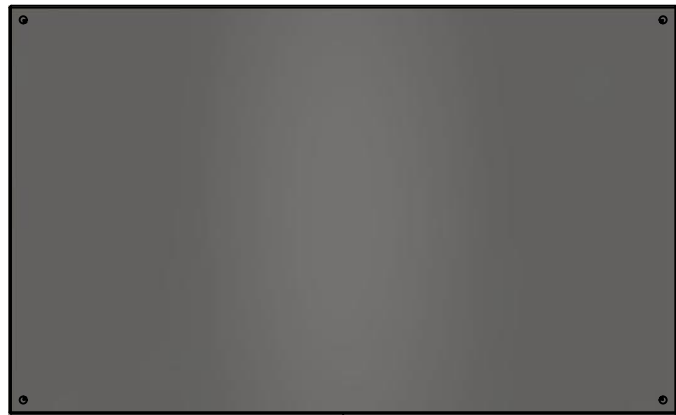
| | |
|---|---|
| Customer Client | Date |
| Drawn By Dessiné Par | Date 2022-11-02 |
| Material Matière | BoxCad: BoxCad 14 Ga Stainless Steel 304 (1.7mm) |
| Color Couleur | Unpainted Finish Fini |
| Description | Detail Rev. |
| 1412BTSSCU 400A - 4Wires x 36" Assembly | |
| Part Number Numéro Pièce | Rev. 3 |
| 1412BTSSCU03404DT | 0 |

This drawing is confidential and must not be reproduced or used without the consent of EXM

Ce dessin est confidentiel et ne doit pas être reproduit ou utilisé sans le consentement de EXM



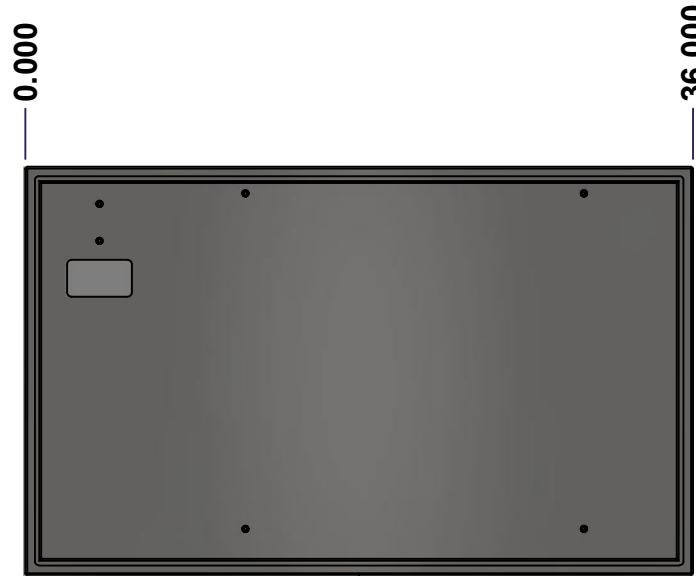
TOP



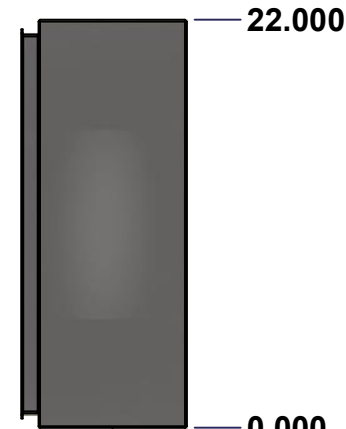
BACK



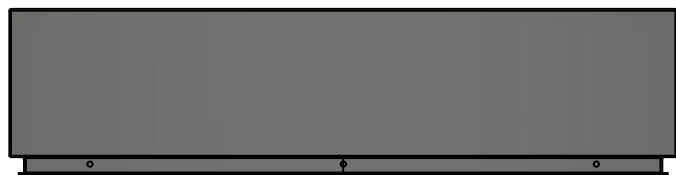
LEFT



FRONT

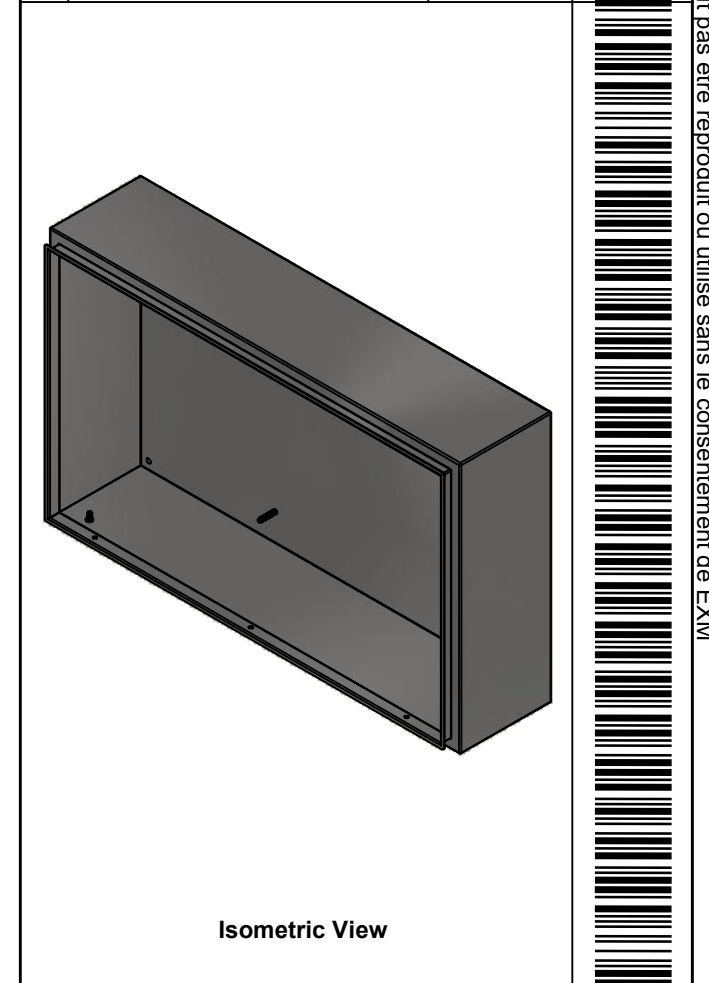


RIGHT



BOTTOM

| No. | Revisions | Date | By/Par |
|-----|-----------|------|--------|
| | | | |
| | | | |
| | | | |
| | | | |
| | | | |



Isometric View

| | |
|---|--|
| | Flatness Aplatissement Max 3.0mm |
| | Projection |
| Customer Client | Date |
| Drawn By Dessiné Par BoxCad: BoxCad | Date 2022-11-02 |
| Material Matière 14 Ga Stainless Steel 304 (1.7mm) | |
| Color Couleur Unpainted | Finish Fini Brushed |
| Description 1412BTSSCU 22" x 36" x 8" Body | |
| Part Number Numéro Pièce 1412BTSSCU03404DTB | Detail Rev. Rev. 4 0 |

SEE BILL OF MATERIAL ON LAST PAGE

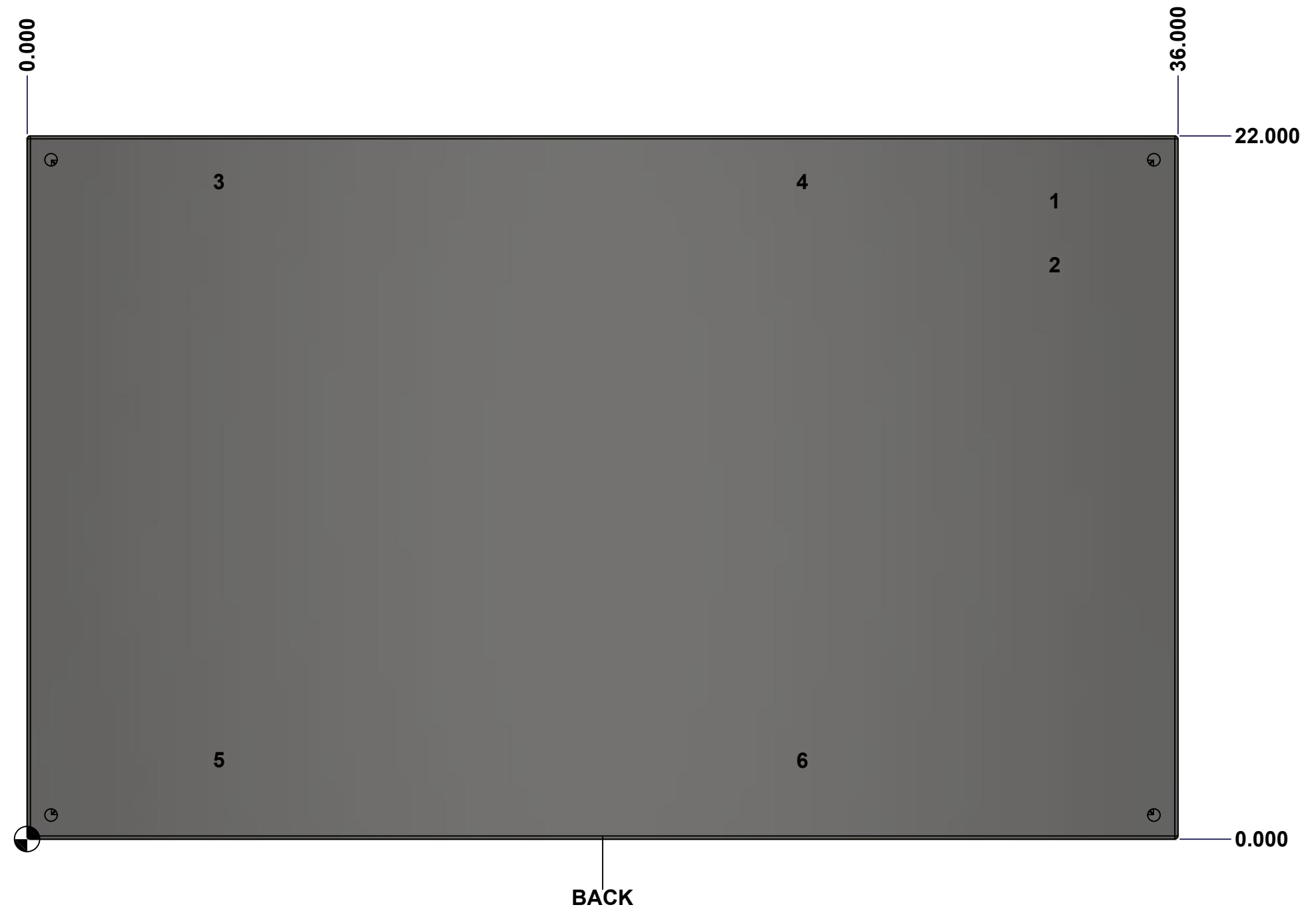
This drawing is confidential and must not be reproduced or used without the consent of Eurobox

Ce dessin est confidentiel et ne doit pas être reproduit ou utilisé sans le consentement de Eurobox

STANDARD FEATURES ARE NOT LISTED IN THIS HOLE TABLE

HOLE TABLE - BACK VIEW (CUSTOM FEATURE ONLY)

| CUT-OUT | XDIM | YDIM | DESCRIPTION |
|---------|--------|--------|-----------------------------|
| 1 | 32.000 | 20.000 | GND STUD M8 x 35mm (Inside) |
| 2 | 32.000 | 18.000 | GND STUD M8 x 35mm (Inside) |
| 3 | 5.875 | 20.563 | IP STUD M8 x 35mm (Inside) |
| 4 | 24.125 | 20.563 | IP STUD M8 x 35mm (Inside) |
| 5 | 5.875 | 2.475 | IP STUD M8 x 35mm (Inside) |
| 6 | 24.125 | 2.475 | IP STUD M8 x 35mm (Inside) |

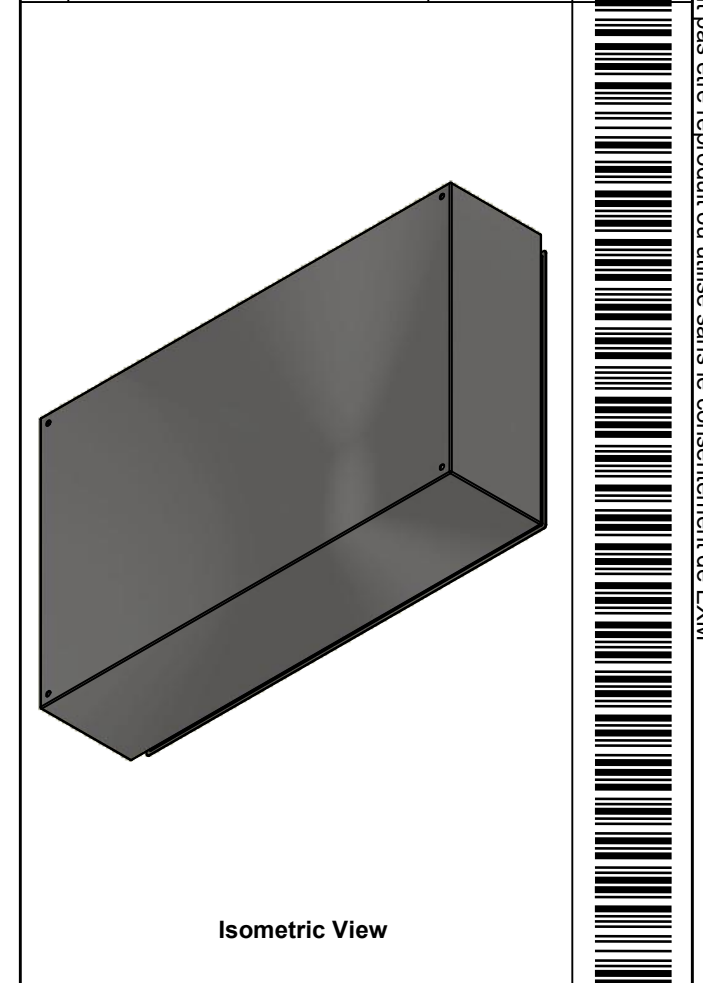


| | | |
|--|--------------------------------|--------------|
| | Description | Status |
| | 1412BTSSCU 22" x 36" x 8" Body | (NULL) |
| | Part Number Numéro Pièce | Rev. |
| | 1412BTSSCU03404DTB | 0 / 5 |
| | | 15 |

This drawing is confidential and must not be reproduced or used without the consent of EXM

Ce dessin est confidentiel et ne doit pas être reproduit ou utilisé sans le consentement de EXM

| No. | Revisions | Date | By/Par |
|-----|-----------|------|--------|
| | | | |
| | | | |
| | | | |
| | | | |
| | | | |



| | | |
|--|------------------------|---------------------------|
| Tél: (450) 979-4373 Fax: (450) 979-4626 www.exmweb.com | | Flatness Aplatissement |
| | | Max 3.0mm |
| Customer Client | | Date |
| Drawn By Dessiné Par BoxCad: BoxCad | | Date 2022-11-02 |
| Material Matière 14 Ga Stainless Steel 304 (1.7mm) | | |
| Color Couleur Unpainted | Finish Fini Brushed | |
| Description 1412BTSSCU 22" x 36" x 8" Body | | Detail Rev. |
| Part Number Numéro Pièce 1412BTSSCU03404DTB | | Rev. 0 |

| | | | |
|------------|----------------------|-----|--|
| 6 | STK-Q-16020 | 1 | Stud M8 x 35mm Stainless Steel |
| 1 | STK-Q-16095 | 0 | M6 x 16mm Stainless Steel Ground Stud |
| 1 | STK-S-00100 | 0 | 3.5" x 2" Silver Milar Flexcon Sticker |
| 1 | 1412BTSSCU03404DTB-P | 0 | 1412BTSSCU 22" x 36" x 8" Body Part |
| Qty | Part Number | Rev | Description |
| Parts List | | | |

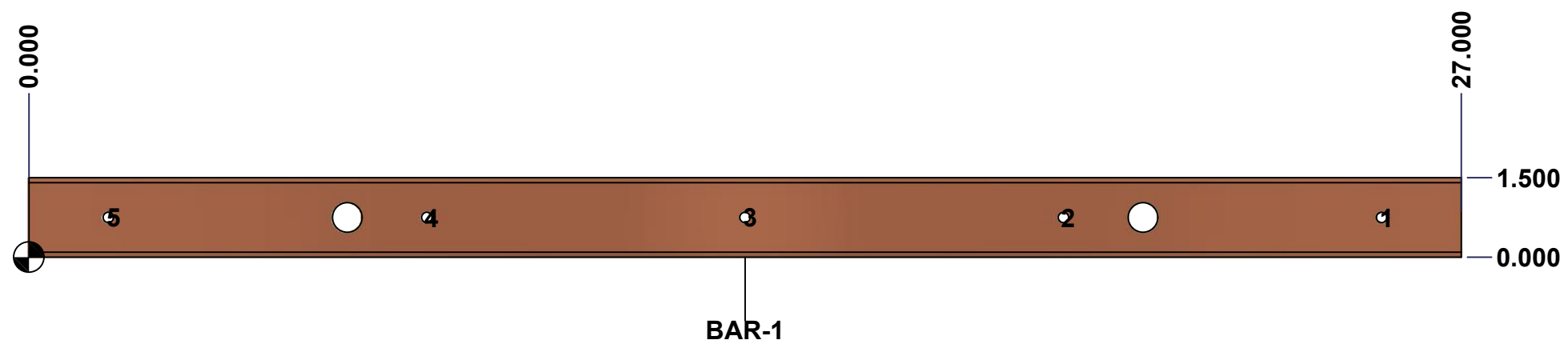
This drawing is confidential and must not be reproduced or used without the consent of Eurobox

Ce dessin est confidentiel et ne doit pas être reproduit ou utilisé sans le consentement de Eurobox

STANDARD FEATURES ARE NOT LISTED IN THIS HOLE TABLE

HOLE TABLE - FRONT VIEW (CUSTOM FEATURE ONLY)

| CUT-OUT | XDIM | YDIM | DESCRIPTION |
|---------|--------|-------|------------------------------|
| 1 | 25.500 | 0.750 | RND Ø0.201 THREAD 1/4-20 UNC |
| 2 | 19.500 | 0.750 | RND Ø0.201 THREAD 1/4-20 UNC |
| 3 | 13.500 | 0.750 | RND Ø0.201 THREAD 1/4-20 UNC |
| 4 | 7.500 | 0.750 | RND Ø0.201 THREAD 1/4-20 UNC |
| 5 | 1.500 | 0.750 | RND Ø0.201 THREAD 1/4-20 UNC |

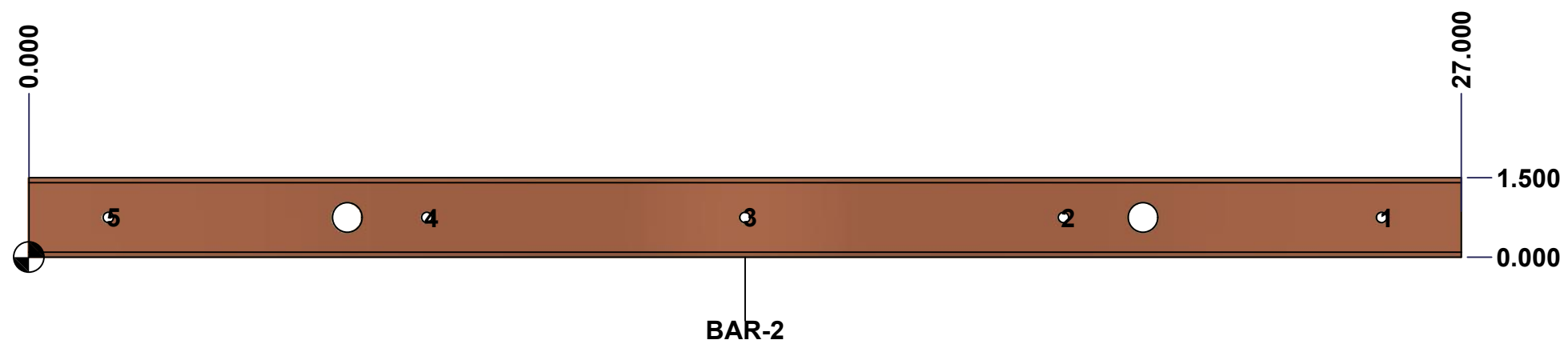


| | | |
|--|--|--------|
| | Description | Status |
| | Rounded Edge Copper Bar 3/16" x 1 1/2" | (NULL) |
| | Part Number Numéro Pièce | Rev. |
| | 1412BTSSCU03404DTBAR1-P 0 | 7 |
| | | 15 |

This drawing is confidential and must not be reproduced or used without the consent of Eurobox

Ce dessin est confidentiel et ne doit pas être reproduit ou utilisé sans le consentement de Eurobox

| STANDARD FEATURES ARE NOT LISTED IN THIS HOLE TABLE | | | |
|---|--------|-------|------------------------------|
| HOLE TABLE - FRONT VIEW (CUSTOM FEATURE ONLY) | | | |
| CUT-OUT | XDIM | YDIM | DESCRIPTION |
| 1 | 25.500 | 0.750 | RND Ø0.201 THREAD 1/4-20 UNC |
| 2 | 19.500 | 0.750 | RND Ø0.201 THREAD 1/4-20 UNC |
| 3 | 13.500 | 0.750 | RND Ø0.201 THREAD 1/4-20 UNC |
| 4 | 7.500 | 0.750 | RND Ø0.201 THREAD 1/4-20 UNC |
| 5 | 1.500 | 0.750 | RND Ø0.201 THREAD 1/4-20 UNC |



| | | |
|--|--|--------|
| | Description | Status |
| | Rounded Edge Copper Bar 3/16" x 1 1/2" | (NULL) |
| | Part Number Numéro Pièce | Rev. |
| | 1412BTSSCU03404DTBAR2-P 0 | 8 |
| | | 15 |

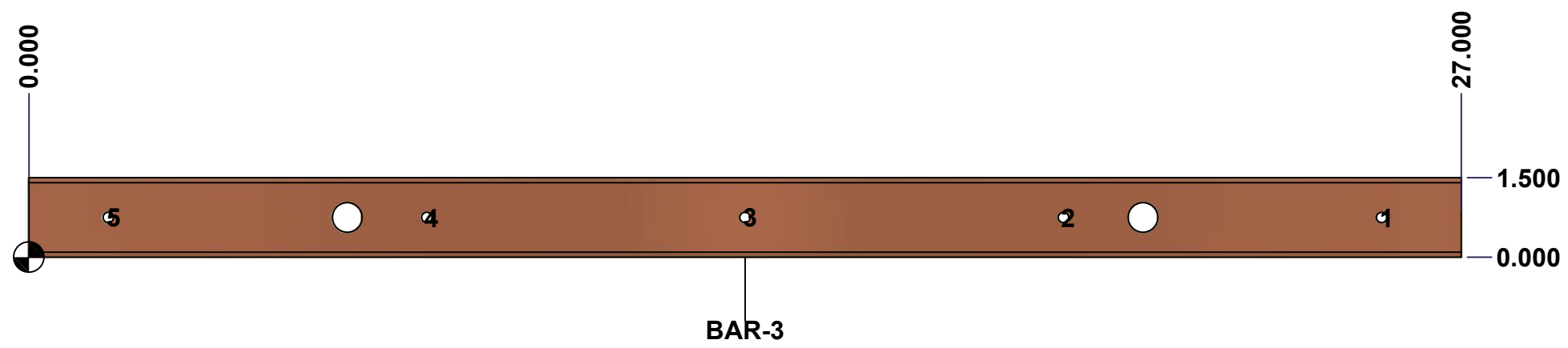
This drawing is confidential and must not be reproduced or used without the consent of Eurobox

Ce dessin est confidentiel et ne doit pas être reproduit ou utilisé sans le consentement de Eurobox

STANDARD FEATURES ARE NOT LISTED IN THIS HOLE TABLE

HOLE TABLE - FRONT VIEW (CUSTOM FEATURE ONLY)

| CUT-OUT | XDIM | YDIM | DESCRIPTION |
|---------|--------|-------|------------------------------|
| 1 | 25.500 | 0.750 | RND Ø0.201 THREAD 1/4-20 UNC |
| 2 | 19.500 | 0.750 | RND Ø0.201 THREAD 1/4-20 UNC |
| 3 | 13.500 | 0.750 | RND Ø0.201 THREAD 1/4-20 UNC |
| 4 | 7.500 | 0.750 | RND Ø0.201 THREAD 1/4-20 UNC |
| 5 | 1.500 | 0.750 | RND Ø0.201 THREAD 1/4-20 UNC |



| | | |
|--|--|--------|
| | Description | Status |
| | Rounded Edge Copper Bar 3/16" x 1 1/2" | (NULL) |
| | Part Number Numéro Pièce | Rev. |
| | 1412BTSSCU03404DTBAR3-P 0 | 9 |
| | | 15 |

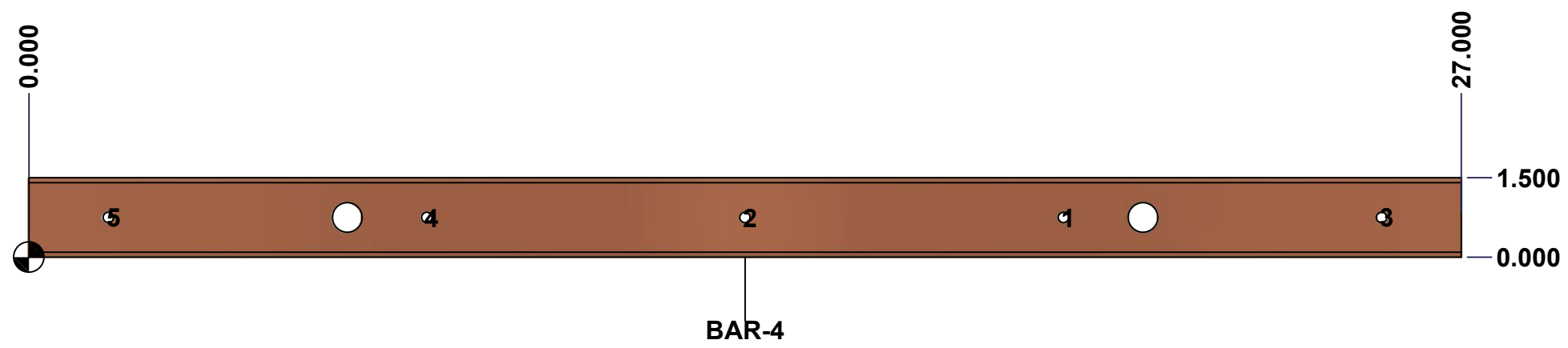
This drawing is confidential and must not be reproduced or used without the consent of Eurobox

Ce dessin est confidentiel et ne doit pas être reproduit ou utilisé sans le consentement de Eurobox

STANDARD FEATURES ARE NOT LISTED IN THIS HOLE TABLE

HOLE TABLE - FRONT VIEW (CUSTOM FEATURE ONLY)

| CUT-OUT | XDIM | YDIM | DESCRIPTION |
|---------|--------|-------|------------------------------|
| 1 | 19.500 | 0.750 | RND Ø0.201 THREAD 1/4-20 UNC |
| 2 | 13.500 | 0.750 | RND Ø0.201 THREAD 1/4-20 UNC |
| 3 | 25.500 | 0.750 | RND Ø0.201 THREAD 1/4-20 UNC |
| 4 | 7.500 | 0.750 | RND Ø0.201 THREAD 1/4-20 UNC |
| 5 | 1.500 | 0.750 | RND Ø0.201 THREAD 1/4-20 UNC |



| | | |
|--|--|--------|
| | Description | Status |
| | Rounded Edge Copper Bar 3/16" x 1 1/2" | (NULL) |
| | Part Number Numéro Pièce | Rev. |
| | 1412BTSSCU03404DTBAR4-P 0 | 10 |
| | | 15 |

This drawing is confidential and must not be reproduced or used without the consent of EXM

Ce dessin est confidentiel et ne doit pas être reproduit ou utilisé sans le consentement de EXM



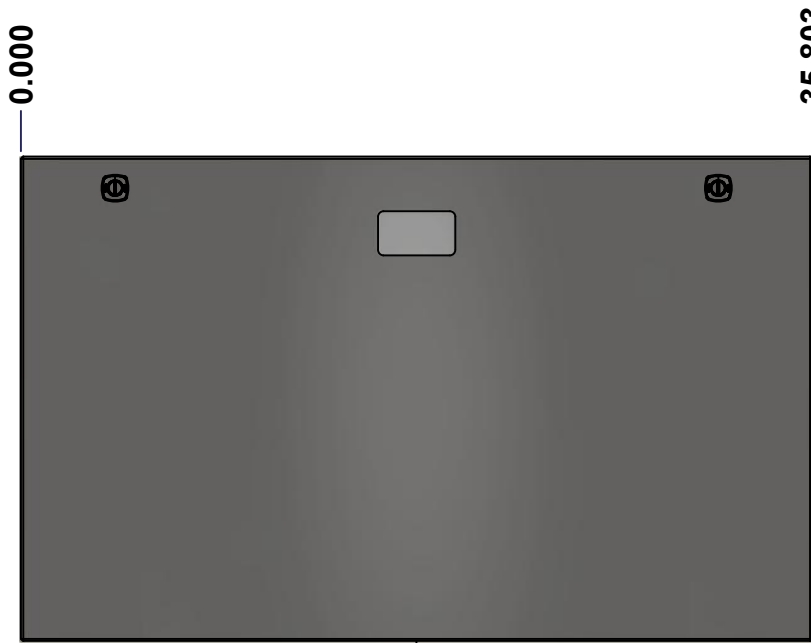
TOP



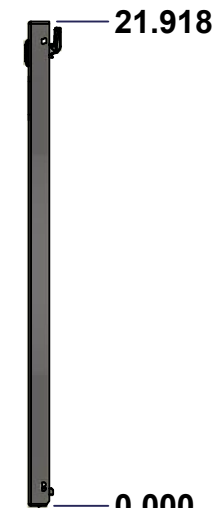
BACK



LEFT



FRONT

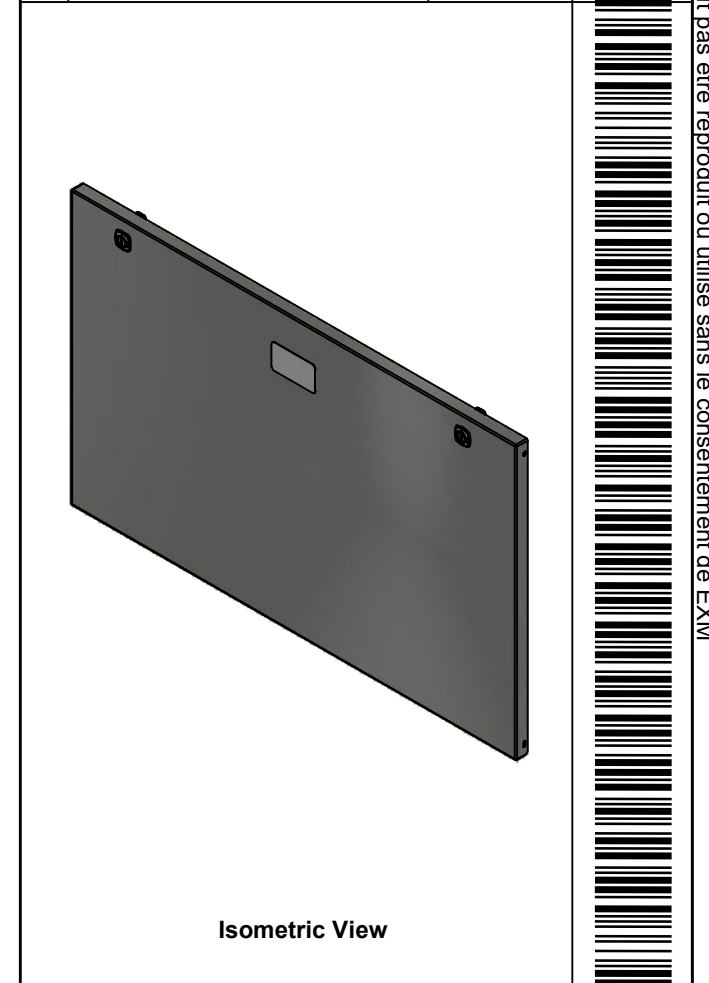



RIGHT



BOTTOM

| No. | Revisions | Date | By/Par |
|-----|-----------|------|--------|
| | | | |
| | | | |
| | | | |
| | | | |



| | | |
|--|------------------------|---------------------------|
|  Tél: (450) 979-4373 Fax: (450) 979-4626 www.exmweb.com | | Flatness Aplatissement |
| | | Max 3.0mm |
| Customer Client | | Date |
| Drawn By Dessiné Par BoxCad: BoxCad | | Date 2022-11-02 |
| Material Matière 14 Ga Stainless Steel 304 (1.7mm) | | |
| Color Couleur Unpainted | Finish Fini Brushed | |
| Description 1412BTSSCU 22" x 36" Cover | | Detail Rev. |
| Part Number Numéro Pièce 1412BTSSCU03404DTC | | Rev. 11 0 15 |

SEE BILL OF MATERIAL ON LAST PAGE

This drawing is confidential and must not be reproduced or used without the consent of Eurobox

Ce dessin est confidentiel et ne doit pas être reproduit ou utilisé sans le consentement de Eurobox

| STANDARD FEATURES ARE NOT LISTED IN THIS HOLE TABLE | | | |
|--|--------|--------|-----------------------------|
| HOLE TABLE - FRONT VIEW (CUSTOM FEATURE ONLY) | | | |
| CUT-OUT | XDIM | YDIM | DESCRIPTION |
| 1 | 1.500 | 1.486 | GND STUD M6 x 16mm (Inside) |
| 2 | 31.553 | 20.494 | LOCK 880 SCQ4-SLSS6 @ 90.0° |
| 3 | 4.250 | 20.494 | LOCK 880 SCQ4-SLSS6 @ 90.0° |



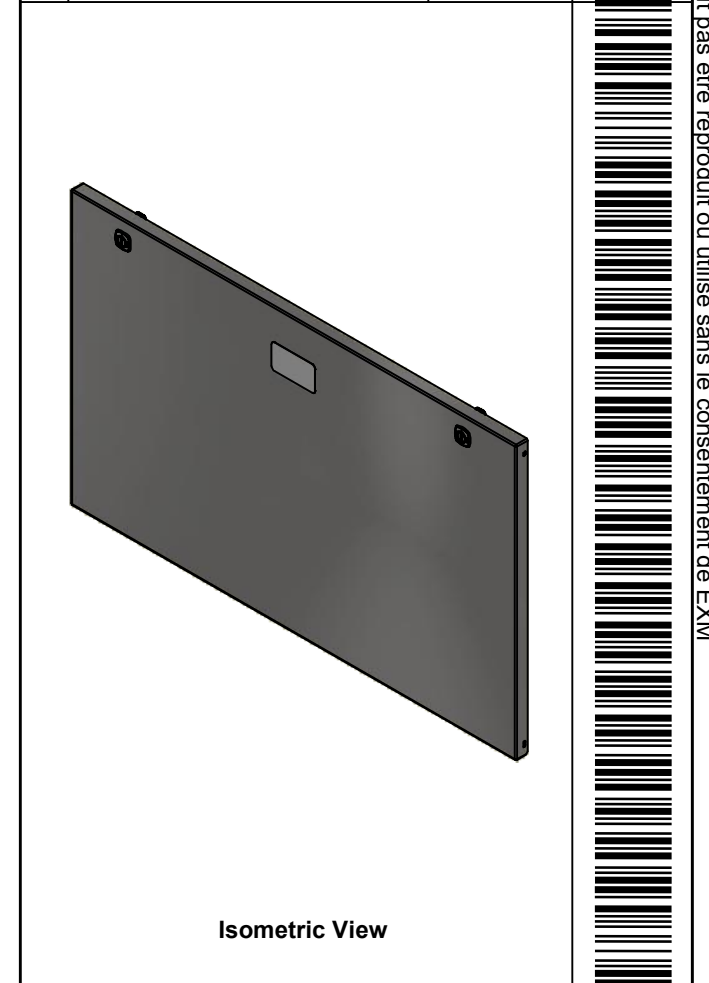
FRONT

| | | |
|--|-----------------------------|----------|
| | Description | Status |
| | 1412BTSSCU 22" x 36" Cover | (NULL) |
| | Part Number Numéro Pièce | Rev. |
| | 1412BTSSCU03404DTC | 0 |
| | | 12 / 15 |

This drawing is confidential and must not be reproduced or used without the consent of EXM

Ce dessin est confidentiel et ne doit pas être reproduit ou utilisé sans le consentement de EXM

| No. | Revisions | Date | By/Par |
|-----|-----------|------|--------|
| | | | |
| | | | |
| | | | |
| | | | |
| | | | |




 Tél: (450) 979-4373
 Fax: (450) 979-4626
www.exmweb.com

Flatness / Aplatissement: Max 3.0mm
 Projection: 

| | |
|--|------------------|
| Customer Client | Date |
| Drawn By / Dessiné Par: BoxCad: BoxCad | Date: 2022-11-02 |

Material / Matière: 14 Ga Stainless Steel 304 (1.7mm)

| | |
|----------------------------|------------------------|
| Color / Couleur: Unpainted | Finish / Fini: Brushed |
|----------------------------|------------------------|

Description: 1412BTSSCU 22" x 36" Cover

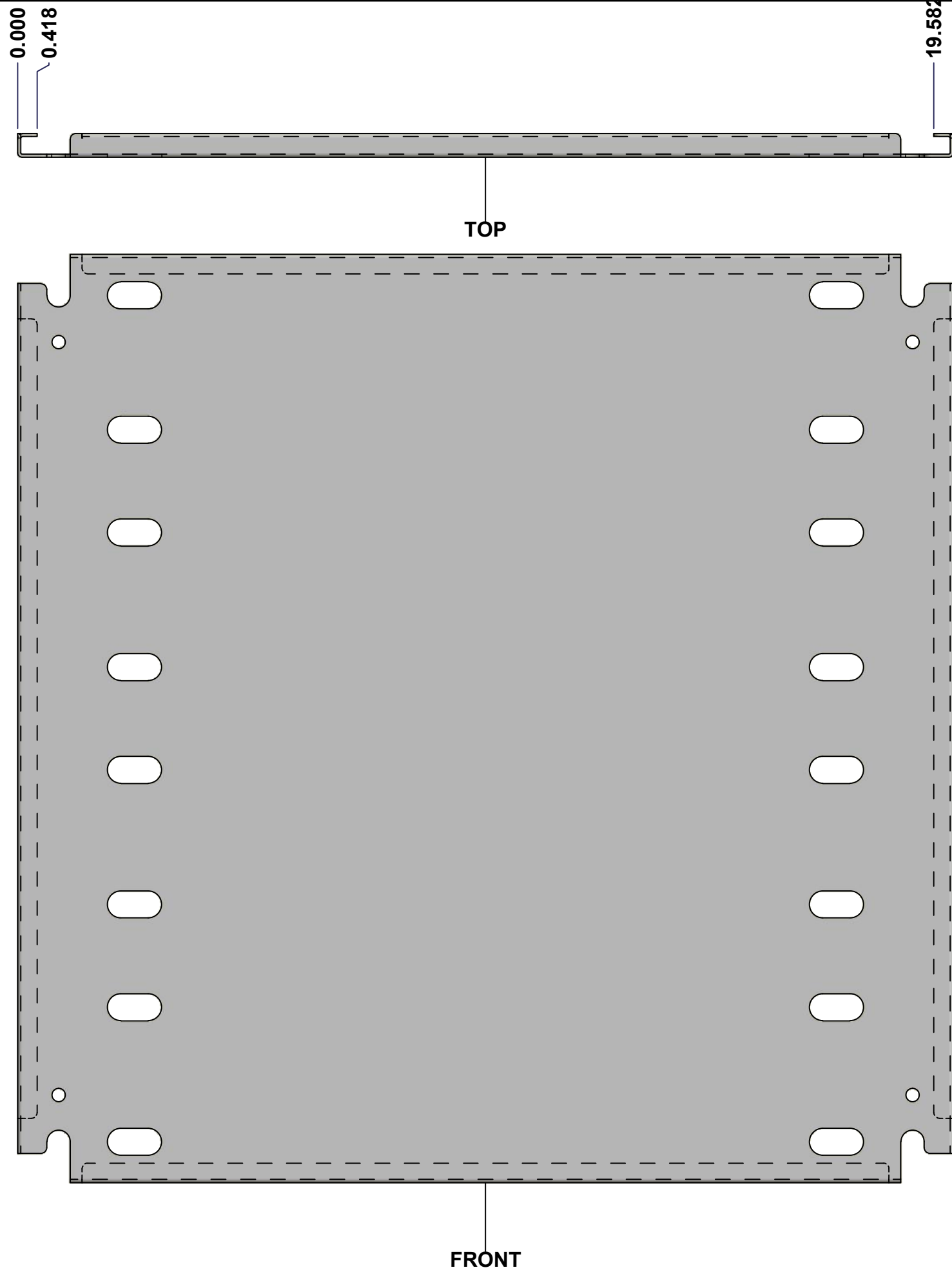
Detail Rev.

| | | |
|---|------------------------|----|
| Part Number / Numéro Pièce: 1412BTSSCU03404DTC | Rev. / Révis: 0 | 13 |
| | | 15 |

| Qty | Part Name | Rev | Description |
|------------|----------------------|-----|--|
| 1 | 1412BTSSCU03404DTG | 0 | 1412BTSSCU 22" x 36" Cover Gasket |
| 3 | STK-K-09850 | 6 | 5412 ESS Hinge with 2 Captive Hinge Pins |
| 1 | STK-Q-16095 | 0 | M6 x 16mm Stainless Steel Ground Stud |
| 1 | STK-S-00100 | 0 | 3.5" x 2" Silver Milar Flexcon Sticker |
| 1 | 1412BTSSCU03404DTC-P | 0 | 1412BTSSCU 22" x 36" Cover Part |
| 2 | 880 SCQ4-SLSS6 | 7 | 5412 ESS 1/4 Turn Lock |
| Parts List | | | |

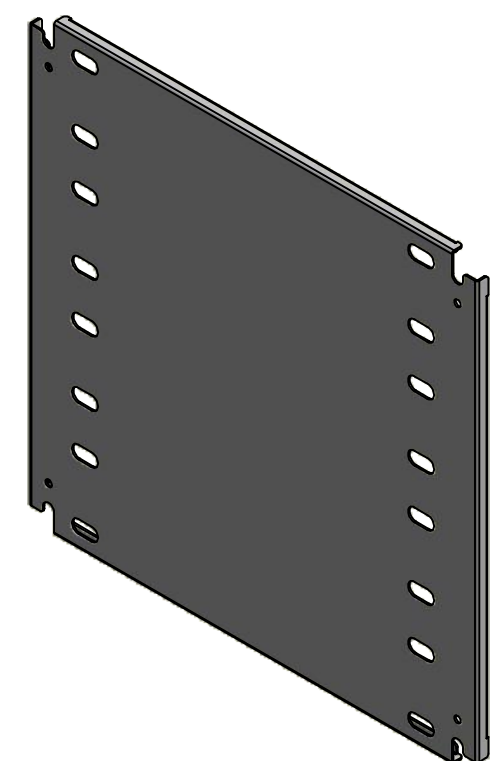
This drawing is confidential and must not be reproduced or used without the consent of EXM

Ce dessin est confidentiel et ne doit pas être reproduit ou utilisé sans le consentement de EXM

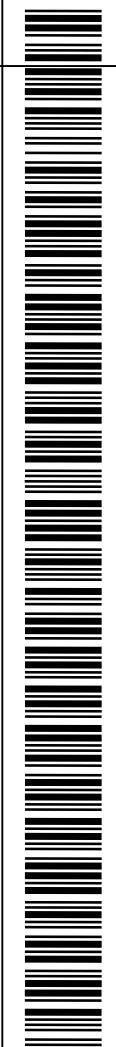


RIGHT
SEE BILL OF MATERIAL ON LAST PAGE

| No. | Revisions | Date | By/Par |
|-----|-----------|------|--------|
| | | | |
| | | | |
| | | | |
| | | | |
| | | | |



Isometric View

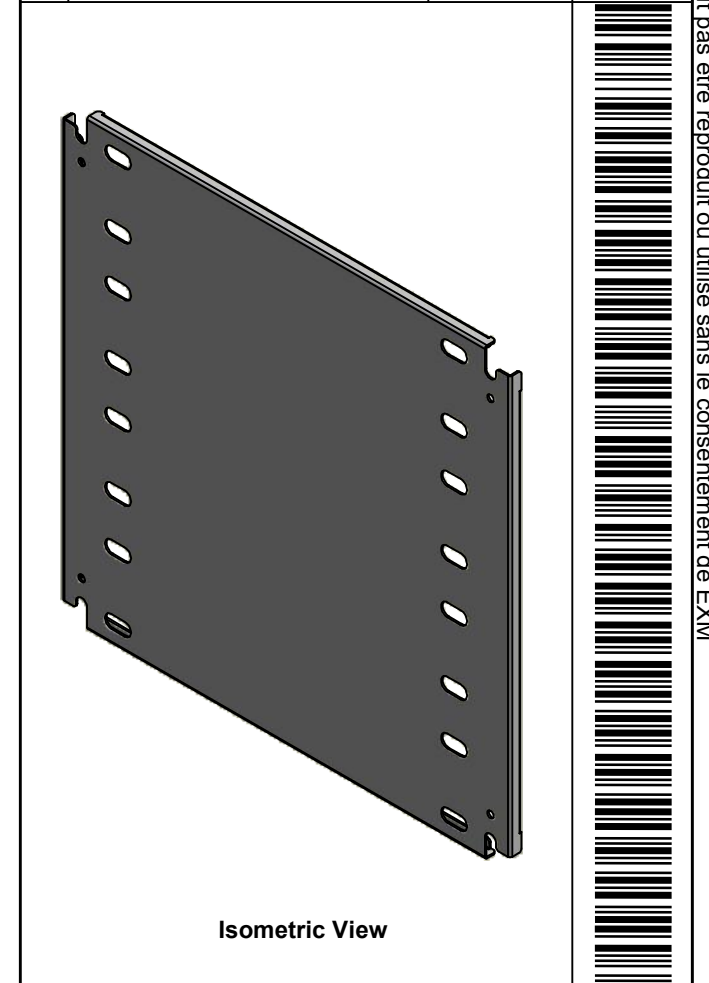


| | |
|---|--|
| <p>Tél: (450) 979-4373 Fax: (450) 979-4626 www.exmweb.com</p> | Flatness Aplatissement Max 3.0mm |
| | Projection |
| Customer Client | Date |
| Drawn By Dessiné Par BoxCad: BoxCad | Date 2022-11-02 |
| Material Matière 14 Ga Cold Rolled A1008 CS Type B (1.7mm) | |
| Color Couleur White RAL9003 | Finish Fini Smooth |
| Description 1412BTSSCU 19.838" x 20" Inner Panel | |
| Part Number Numéro Pièce 1412BTSSCU03404DTIP1 | Detail Rev. Rev. 14 0 |

This drawing is confidential and must not be reproduced or used without the consent of EXM



Ce dessin est confidentiel et ne doit pas être reproduit ou utilisé sans le consentement de EXM

| No. | Revisions | Date | By/Par |
|-----|-----------|------|--------|
| | | | |
| | | | |
| | | | |
| | | | |
| | | | |



Isometric View



| | | |
|--|-----------------------|--|
|  Tél: (450) 979-4373 Fax: (450) 979-4626 www.exmweb.com | | Flatness Aplatissement  Max 3.0mm |
| Customer Client | | Date |
| Drawn By Dessiné Par BoxCad: BoxCad | | Date 2022-11-02 |
| Material Matière 14 Ga Cold Rolled A1008 CS Type B (1.7mm) | | |
| Color Couleur White RAL9003 | Finish Fini Smooth | |
| Description 1412BTSSCU 19.838" x 20" Inner Panel | | Detail Rev. |
| Part Number Numéro Pièce 1412BTSSCU03404DTIP1 | | Rev. 0 / 15 |

| Qty | Part Number | Rev | Description |
|------------|------------------------|-----|---|
| 1 | STK-P-02401S | 0 | Powder Paint (White / Smooth) |
| 1 | 1412BTSSCU03404DTIP1-P | 0 | 1412BTSSCU 19.838" x 36" Inner Panel Part |
| Parts List | | | |