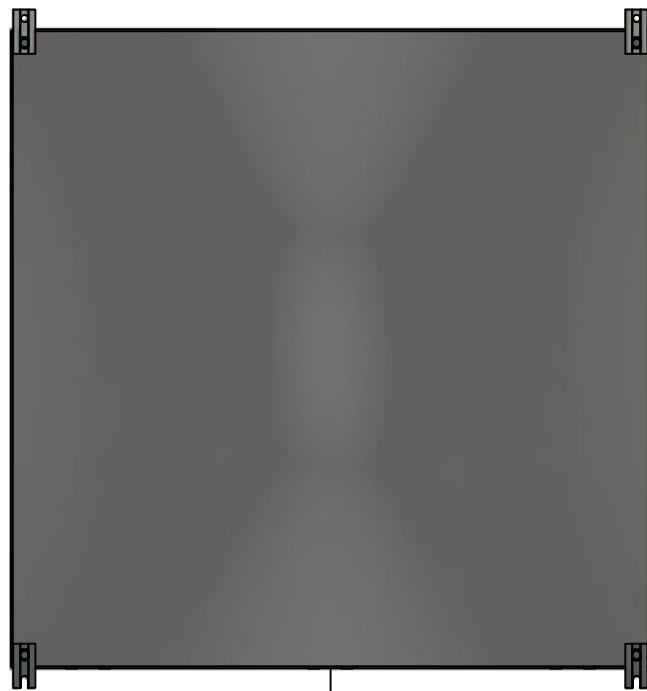


This drawing is confidential and must not be reproduced or used without the consent of EXM

Ce dessin est confidentiel et ne doit pas être reproduit ou utilisé sans le consentement de EXM



TOP



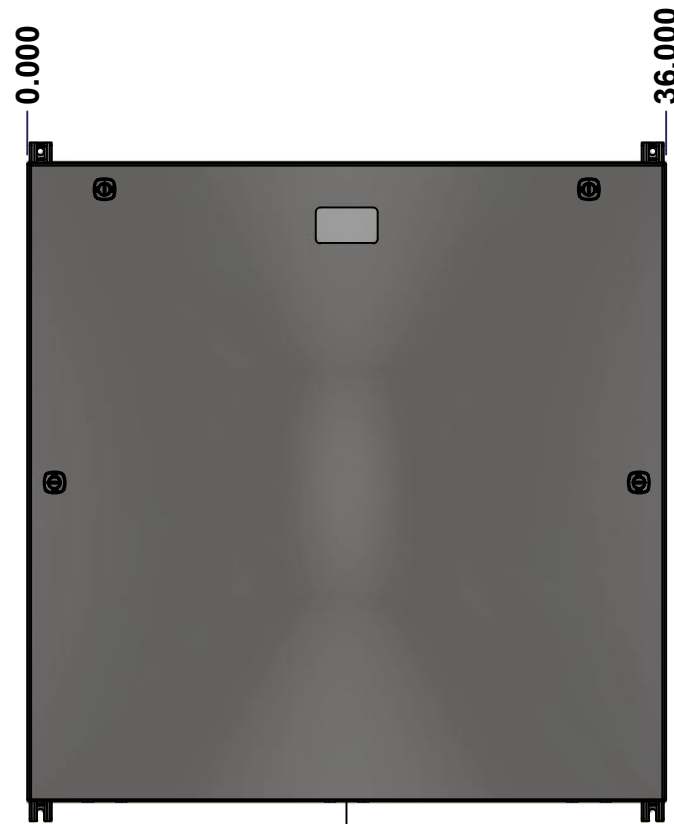
BACK



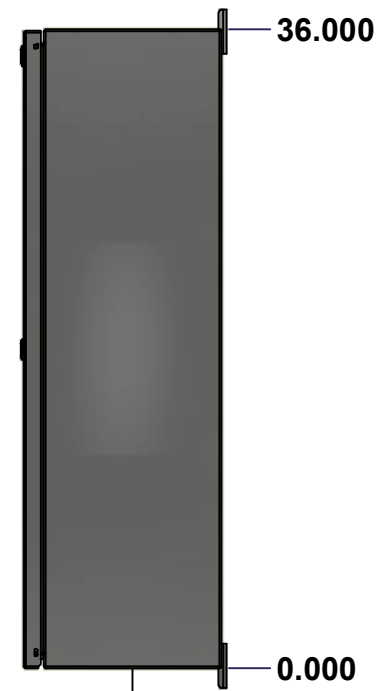
BOTTOM



LEFT

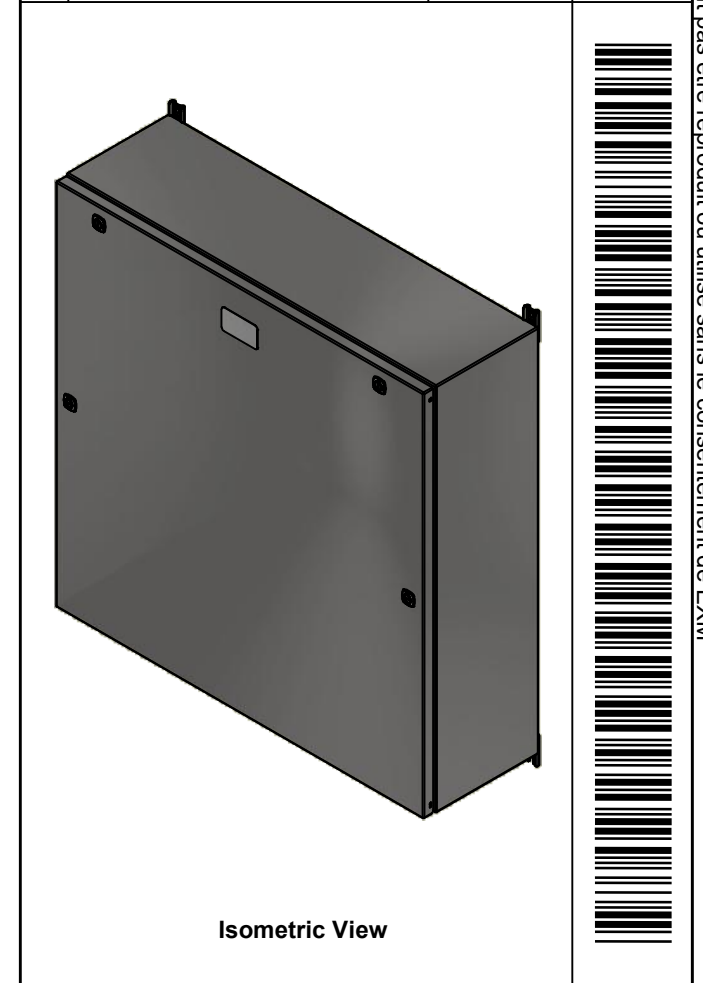



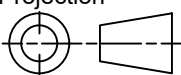
FRONT



RIGHT

| No. | Revisions | Date | By/Par |
|-----|-----------|------|--------|
| | | | |
| | | | |
| | | | |
| | | | |
| | | | |



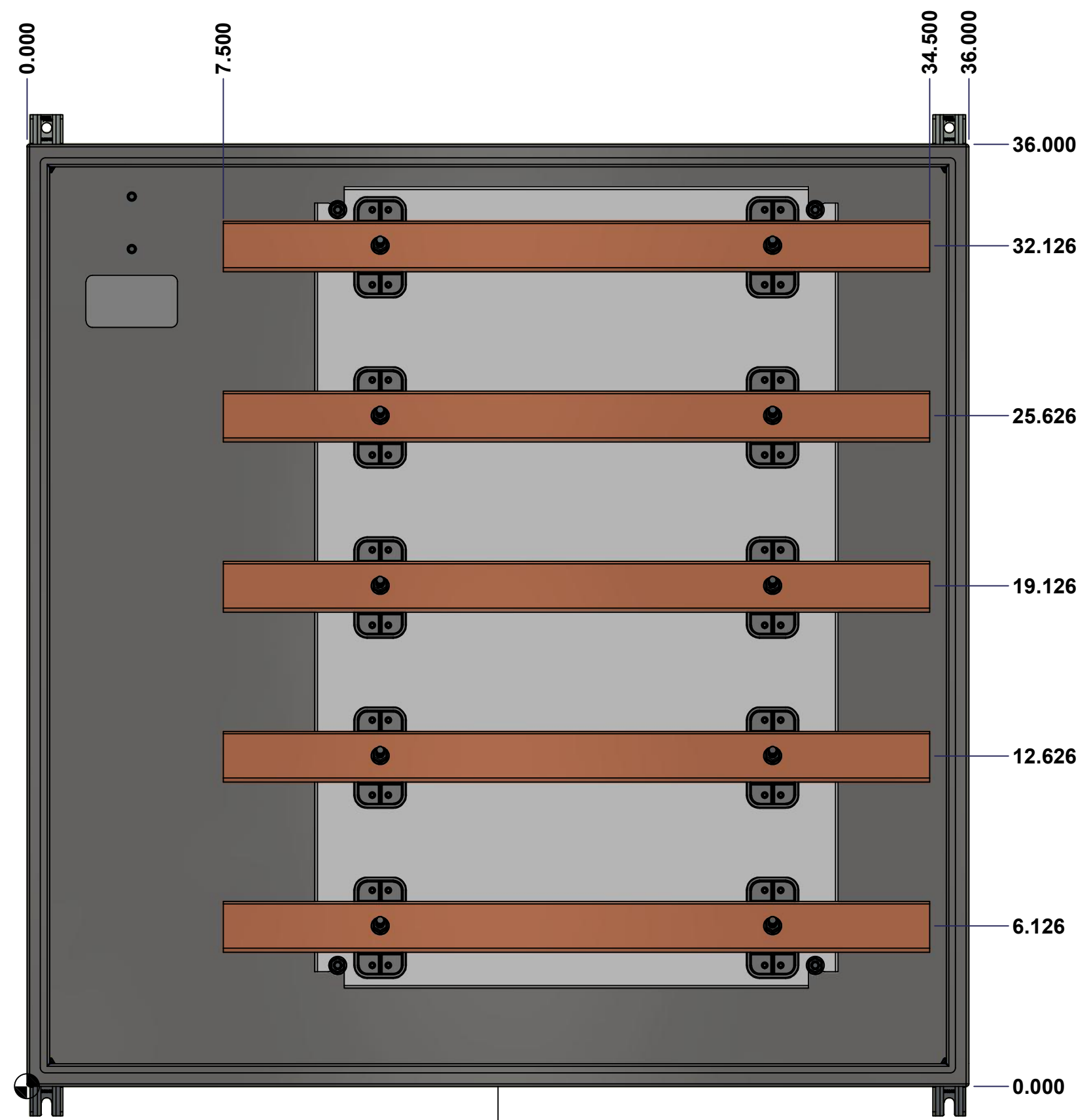
| | |
|--|---|
|  Tél: (450) 979-4373 Fax: (450) 979-4626 www.exmweb.com | Flatness Aplatissement Max 3.0mm |
| | Projection  |
| Customer Client | Date |
| Drawn By Dessiné Par BoxCad: BoxCad | Date 8/31/2022 |
| Material Matière 14 Ga Stainless Steel 304 (1.7mm) | |
| Color Couleur Unpainted | Finish Fini Brushed |
| Description 1412BTSSCU 600A - 5Wires x 36" Assembly | |
| Part Number Numéro Pièce 1412BTSSCU03605 | Detail Rev. Rev. 1 0 |

SEE BILL OF MATERIAL ON LAST PAGE

This drawing is confidential and must not be reproduced or used without the consent of Eurobox

STANDARD FEATURES ARE NOT LISTED IN THIS HOLE TABLE

Ce dessin est confidentiel et ne doit pas être reproduit ou utilisé sans le consentement de Eurobox



FRONT

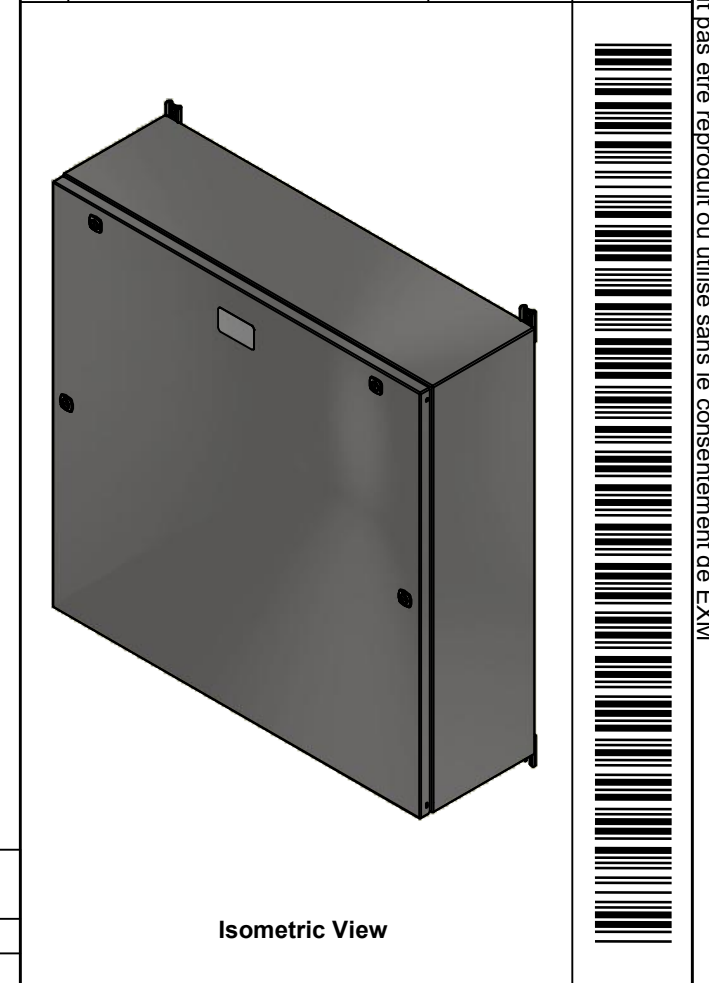
| | | | |
|--|---|--|-------------------------|
| | Description 1412BTSSCU 600A - 5Wires x 36" Assembly | | Status (NULL) |
| | Part Number Numéro Pièce 1412BTSSCU03605 | | Rev. 2 0 / 11 |

This drawing is confidential and must not be reproduced or used without the consent of EXM

Ce dessin est confidentiel et ne doit pas être reproduit ou utilisé sans le consentement de EXM

| NOTE | |
|------|--|
| ITEM | DESCRIPTION |
| 1 | NEMA 4X Enclosure |
| 2 | C/W Standard ground studs on box and cover |
| 3 | W/O Standard door stiffener |
| 4 | C/W Special inner panel (Sold separately) |
| 5 | C/W Standard inner panel mounting studs |

| No. | Revisions | Date | By/Par |
|-----|-----------|------|--------|
| | | | |
| | | | |
| | | | |
| | | | |
| | | | |
| | | | |



| | | | |
|------------|-----------------------|-----|--|
| 3 | STK-Q-04051-07 | 8 | M6 x 7mm Stainless Steel Hexagon Socket Head Machine Screw with Nyseal |
| 1 | 885 ESMF2 | 0 | 885 ESMF2 Stainless Steel Mounting Feet Kit |
| 1 | 1412BTSSCU03605BAR4-P | 0 | Rounded Edge Copper Bar 1/4" x 2" |
| 1 | 1412BTSSCU03605BAR1-P | 0 | Rounded Edge Copper Bar 1/4" x 2" |
| 1 | 1412BTSSCU03605BAR2-P | 0 | Rounded Edge Copper Bar 1/4" x 2" |
| 1 | 1412BTSSCU03605BAR3-P | 0 | Rounded Edge Copper Bar 1/4" x 2" |
| 1 | 1412BTSSCU03605BAR5-P | 0 | Rounded Edge Copper Bar 1/4" x 2" |
| 1 | 1412BTSSCU03605IP1 | 0 | 1412BTSSCU 30.625" x 20" Inner Panel |
| 10 | STK-A-67400 | 0 | Buss Bar Insulator Kit |
| 1 | STK-K-01800 | 5 | 5412 ES Accessory Kit |
| 14 | STK-Q-07310 | 2 | Flange Lock Nut M8 |
| 4 | STK-Q-07610 | 8 | M8 Plastic Spacer 22.2mm |
| 1 | 1412BTSSCU03605B | 0 | 1412BTSSCU 36" x 36" x 10" Body |
| 1 | 1412BTSSCU03605C | 0 | 1412BTSSCU 36" x 36" Cover |
| Qty | Part Number | Rev | Description |
| Parts List | | | |

| PACKING | | |
|-----------------------|-----|--|
| ITEM | QTY | DESCRIPTION |
| Cardboard sleeve | 2 | Top and Bottom |
| Cardboard strip | 2 | Between back of enclosure and inner panel |
| Plastic bag | 1 | To protect cover surface and inside gasket |
| Cardboard corner | 4 | To reinforced for the plastic strap tightening |
| Plastic strap - Black | 2 | To Squeeze 2 cardboard sleeve together |
| Packaging label | 3 | White label with PN |
| Plastic strap- Green | 2 | To secure the enclosure to the wood pallet |
| Wood Pallet | 1 | 2" deeper and 3" larger than enclosure size |

Tél: (450) 979-4373
Fax: (450) 979-4626
www.exmweb.com

Flatness
Aplatissement
Max 3.0mm

Projection

| | |
|--|---|
| Customer Client | Date |
| Drawn By Dessiné Par | Date 8/31/2022 |
| Material Matière | BoxCad: BoxCad 14 Ga Stainless Steel 304 (1.7mm) |
| Color Couleur | Unpainted Finish Fini Brushed |
| Description 1412BTSSCU 600A - 5Wires x 36" Assembly | Detail Rev. |
| Part Number Numéro Pièce | Rev. 3 |
| 1412BTSSCU03605 | 0 |

This drawing is confidential and must not be reproduced or used without the consent of EXM

Ce dessin est confidentiel et ne doit pas être reproduit ou utilisé sans le consentement de EXM



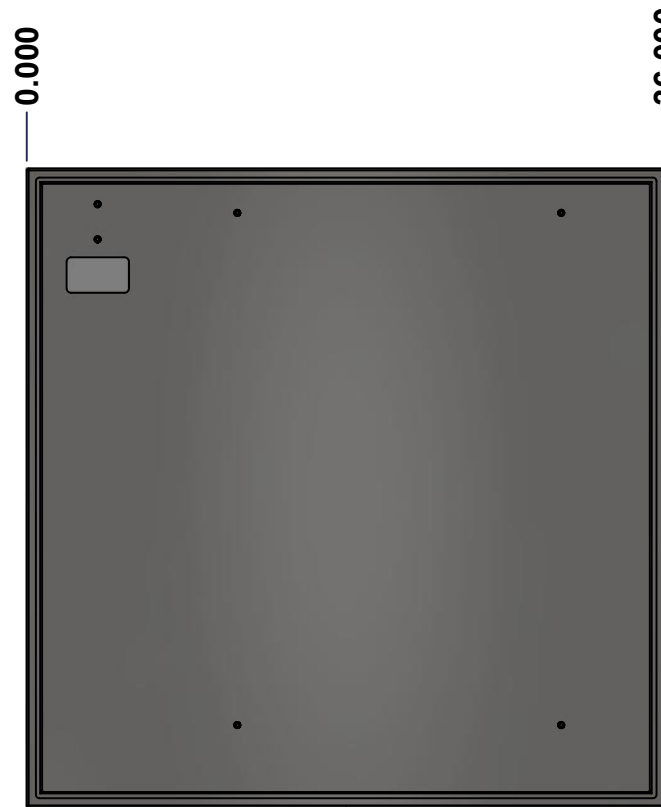
TOP



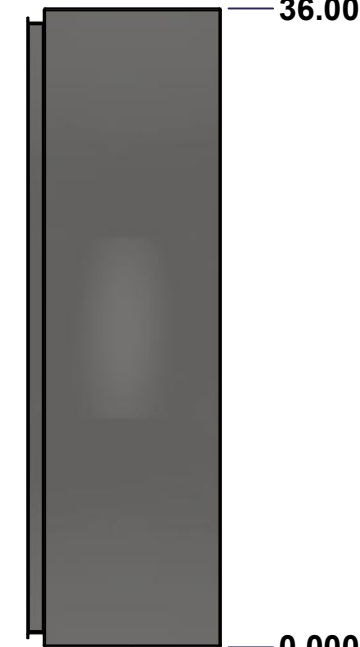
BACK



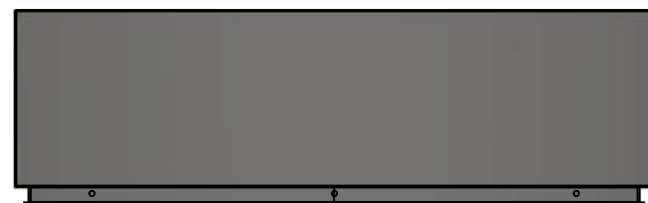
LEFT



FRONT

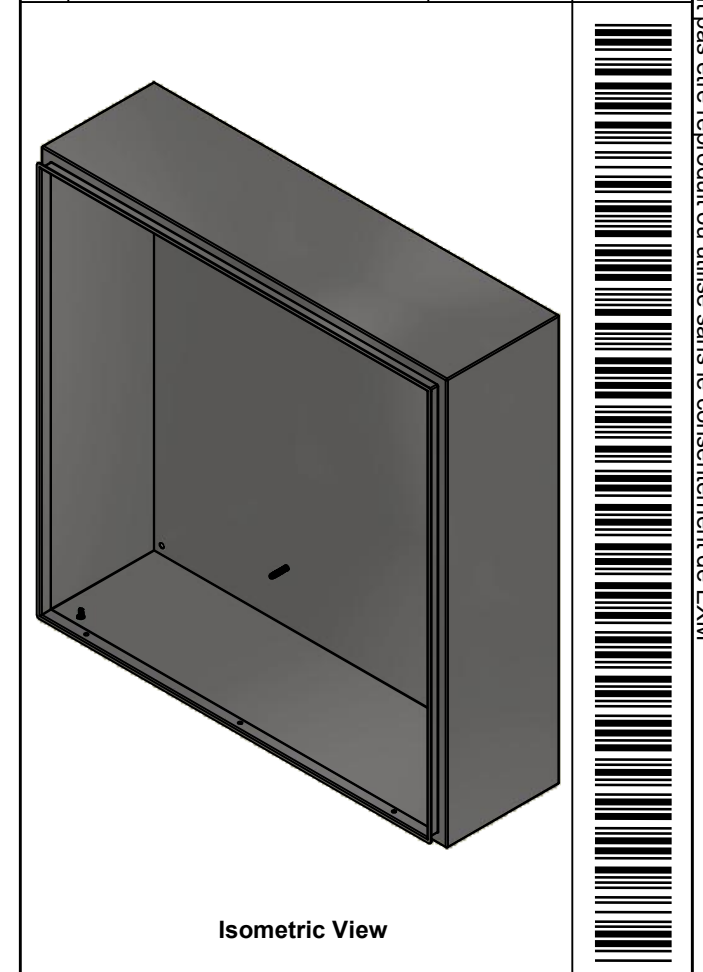


RIGHT


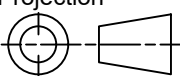


BOTTOM

| No. | Revisions | Date | By/Par |
|-----|-----------|------|--------|
| | | | |
| | | | |
| | | | |
| | | | |
| | | | |



Isometric View

| | | |
|--|-----------------------------------|---|
|  Tél: (450) 979-4373 Fax: (450) 979-4626 www.exmweb.com | | Flatness Aplatissement Max 3.0mm Projection  |
| Customer Client | Date | |
| Drawn By Dessiné Par | BoxCad: BoxCad | Date 8/31/2022 |
| Material Matière | 14 Ga Stainless Steel 304 (1.7mm) | |
| Color Couleur | Unpainted | Finish Fini Brushed |
| Description | Detail Rev. | |
| 1412BTSSCU 36" x 36" x 10" Body | | |
| Part Number Numéro Pièce | Rev. | 4 |
| 1412BTSSCU03605B | 0 | 11 |

SEE BILL OF MATERIAL ON LAST PAGE

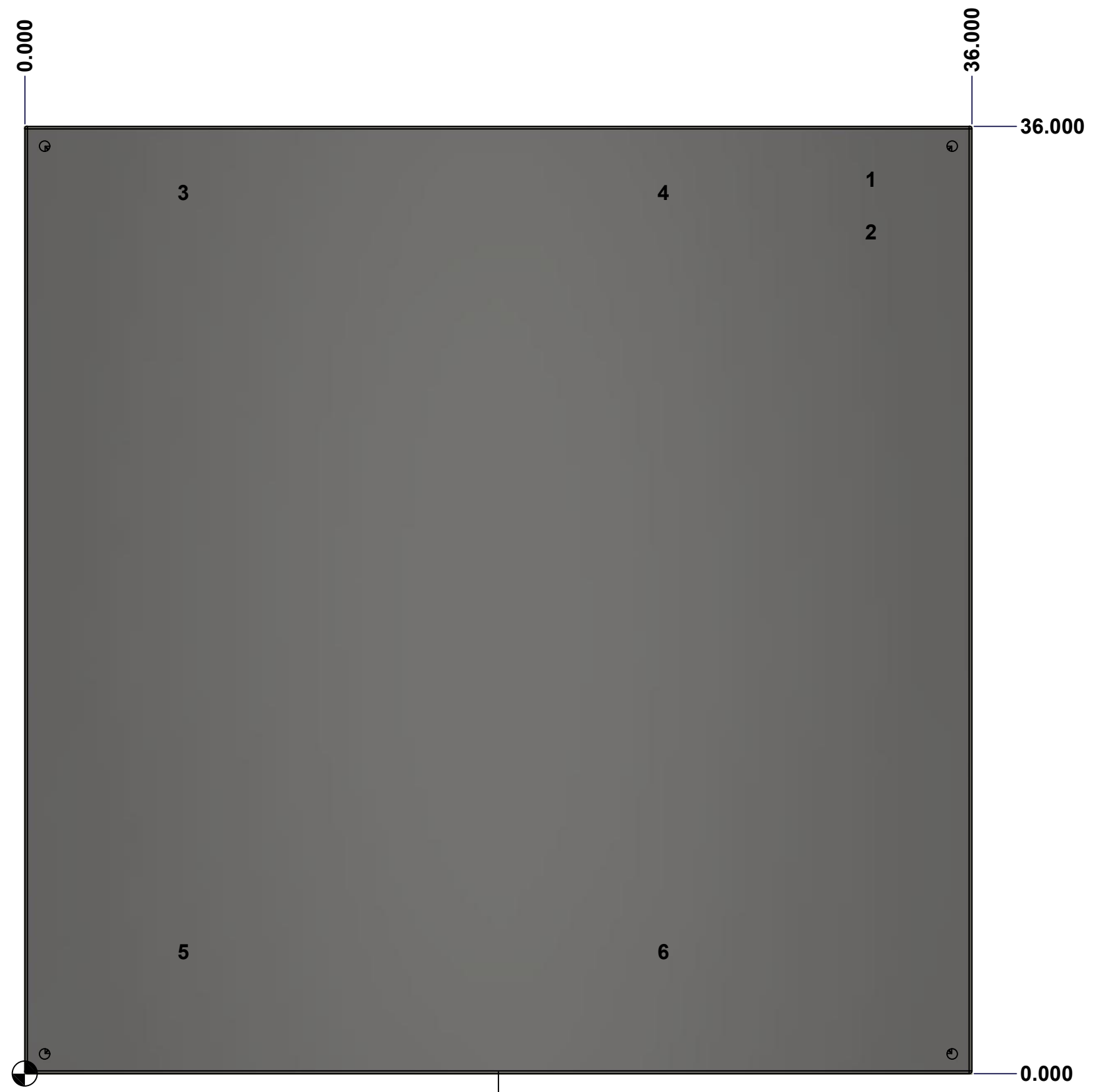
This drawing is confidential and must not be reproduced or used without the consent of Eurobox

Ce dessin est confidentiel et ne doit pas être reproduit ou utilisé sans le consentement de Eurobox

STANDARD FEATURES ARE NOT LISTED IN THIS HOLE TABLE

HOLE TABLE - BACK VIEW (CUSTOM FEATURE ONLY)

| CUT-OUT | XDIM | YDIM | DESCRIPTION |
|---------|--------|--------|-----------------------------|
| 1 | 32.000 | 34.000 | GND STUD M8 x 35mm (Inside) |
| 2 | 32.000 | 32.000 | GND STUD M8 x 35mm (Inside) |
| 3 | 5.875 | 33.500 | IP STUD M8 x 35mm (Inside) |
| 4 | 24.125 | 33.500 | IP STUD M8 x 35mm (Inside) |
| 5 | 5.875 | 4.625 | IP STUD M8 x 35mm (Inside) |
| 6 | 24.125 | 4.625 | IP STUD M8 x 35mm (Inside) |



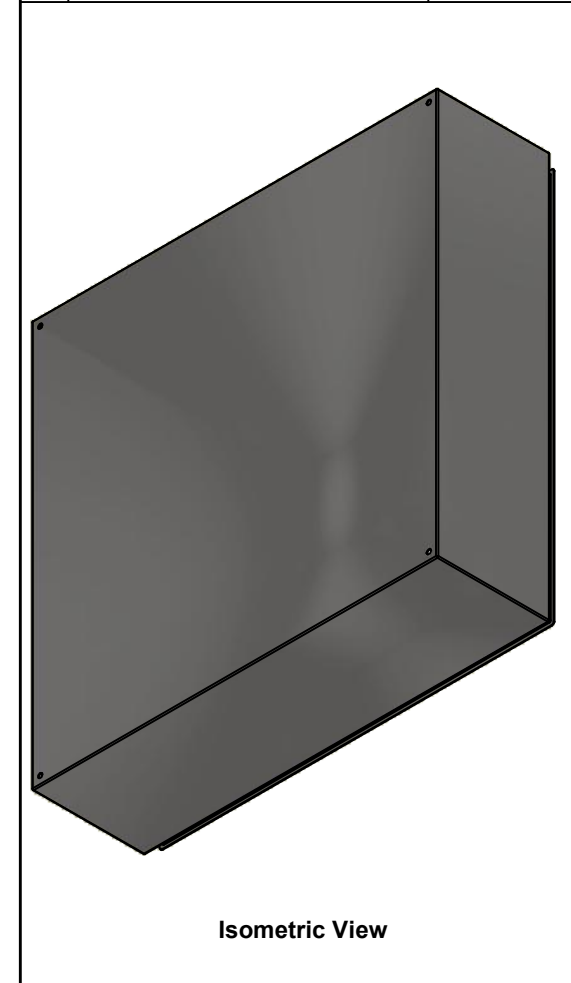
BACK

| | | | |
|--|---------------------------------|----------|----|
| | Description | Status | |
| | 1412BTSSCU 36" x 36" x 10" Body | (NULL) | |
| | Part Number Numéro Pièce | Rev. | 5 |
| | 1412BTSSCU03605B | 0 | 11 |

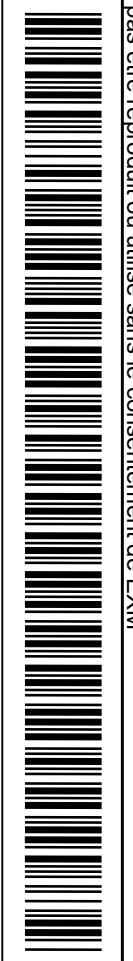
This drawing is confidential and must not be reproduced or used without the consent of EXM


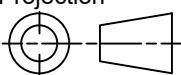
Ce dessin est confidentiel et ne doit pas être reproduit ou utilisé sans le consentement de EXM

| No. | Revisions | Date | By/Par |
|-----|-----------|------|--------|
| | | | |
| | | | |
| | | | |
| | | | |
| | | | |



Isometric View



| | | |
|--|------------------------|---|
|  Tél: (450) 979-4373 Fax: (450) 979-4626 www.exmweb.com | | Flatness Aplatissement Max 3.0mm |
| Customer Client | | Projection  |
| Drawn By Dessiné Par BoxCad: BoxCad | | Date 8/31/2022 |
| Material Matière 14 Ga Stainless Steel 304 (1.7mm) | | |
| Color Couleur Unpainted | Finish Fini Brushed | |
| Description 1412BTSSCU 36" x 36" x 10" Body | | Detail Rev. |
| Part Number Numéro Pièce 1412BTSSCU03605B | | Rev. 6 0 |

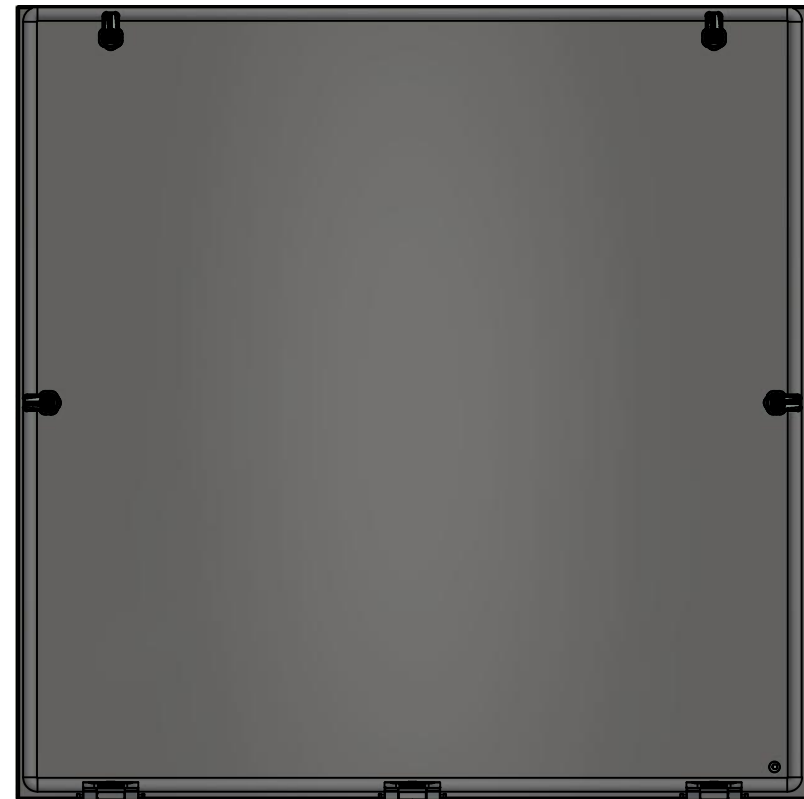
| Qty | Part Number | Rev | Description |
|------------|--------------------|-----|--|
| 6 | STK-Q-16020 | 1 | Stud M8 x 35mm Stainless Steel |
| 1 | STK-Q-16095 | 0 | M6 x 16mm Stainless Steel Ground Stud |
| 1 | STK-S-00100 | 0 | 3.5" x 2" Silver Milar Flexcon Sticker |
| 1 | 1412BTSSCU03605B-P | 0 | 1412BTSSCU 36" x 36" x 10" Body Part |
| Parts List | | | |

This drawing is confidential and must not be reproduced or used without the consent of EXM

Ce dessin est confidentiel et ne doit pas être reproduit ou utilisé sans le consentement de EXM



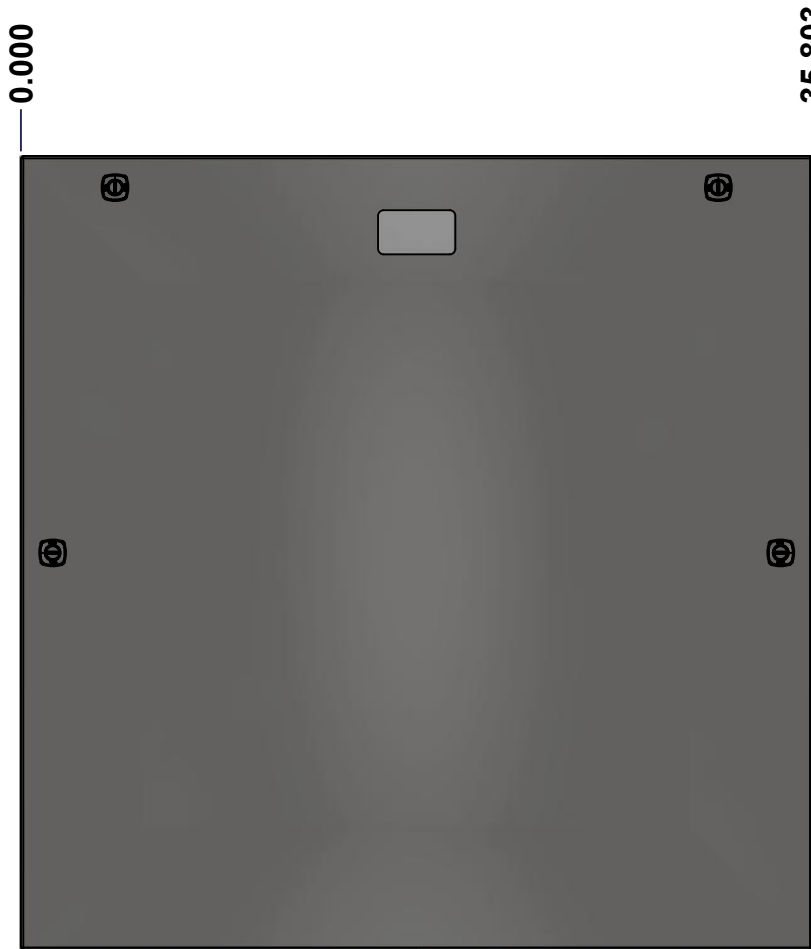
TOP



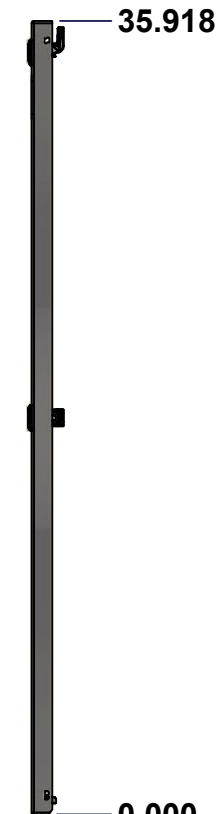
BACK



LEFT



FRONT

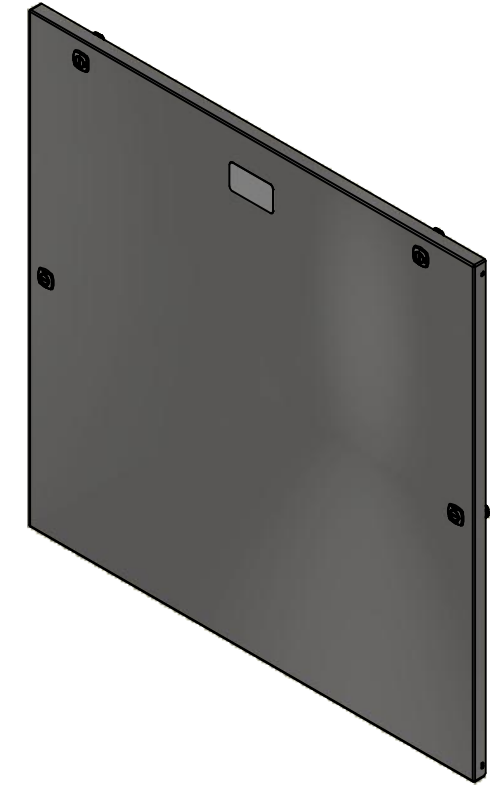


RIGHT




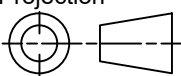
BOTTOM

| No. | Revisions | Date | By/Par |
|-----|-----------|------|--------|
| | | | |
| | | | |
| | | | |
| | | | |



Isometric View



| | | |
|--|-----------------------------------|---|
|  Tél: (450) 979-4373 Fax: (450) 979-4626 www.exmweb.com | | Flatness Aplatissement Max 3.0mm Projection  |
| Customer Client | Date | Date |
| Drawn By Dessiné Par | BoxCad: BoxCad | 8/31/2022 |
| Material Matière | 14 Ga Stainless Steel 304 (1.7mm) | |
| Color Couleur | Unpainted | Finish Fini Brushed |
| Description | Detail Rev. | |
| 1412BTSSCU 36" x 36" Cover | | |
| Part Number Numéro Pièce | Rev. | 7 |
| 1412BTSSCU03605C | 0 | 11 |

SEE BILL OF MATERIAL ON LAST PAGE

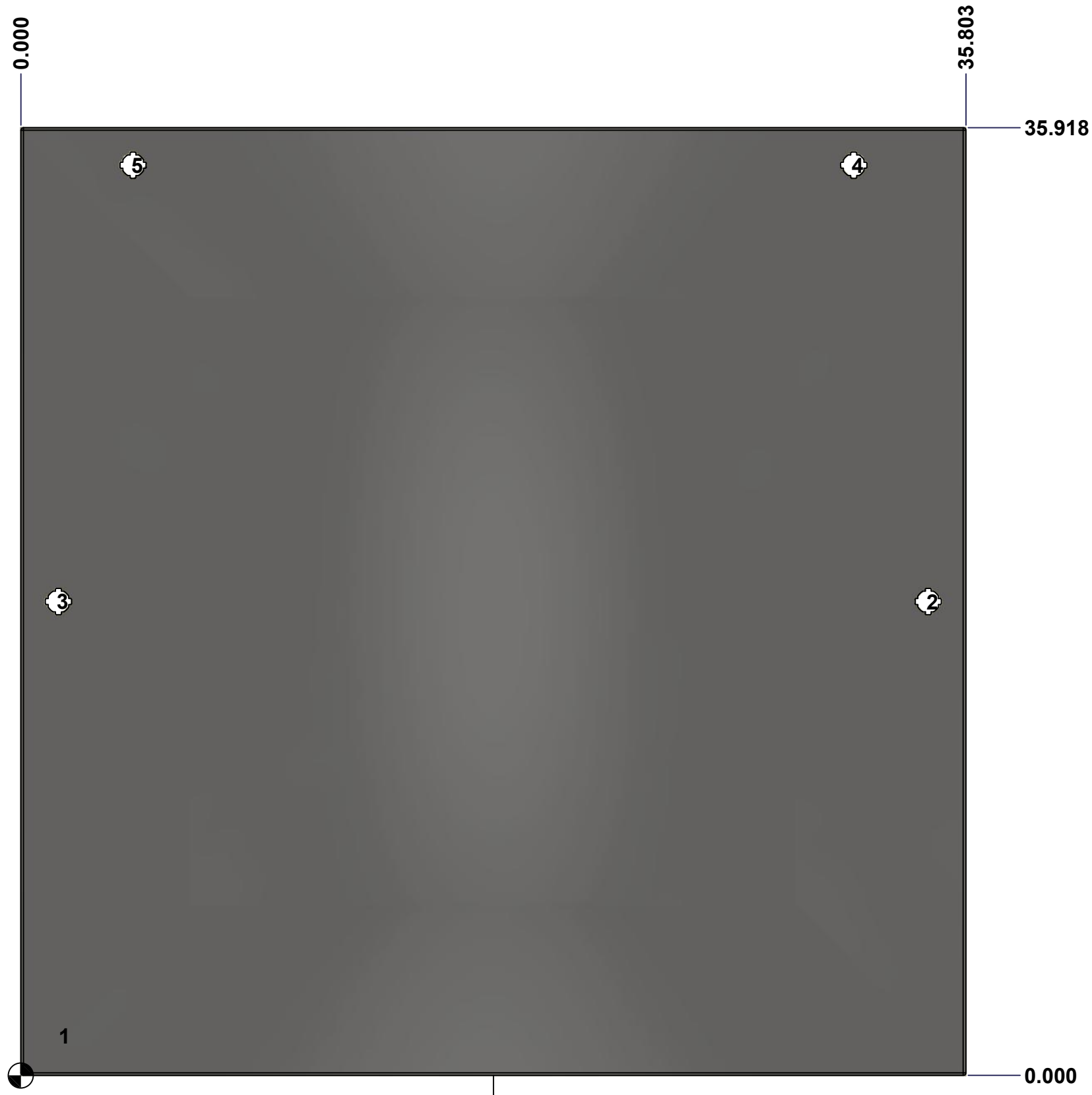
This drawing is confidential and must not be reproduced or used without the consent of Eurobox

Ce dessin est confidentiel et ne doit pas être reproduit ou utilisé sans le consentement de Eurobox

STANDARD FEATURES ARE NOT LISTED IN THIS HOLE TABLE

HOLE TABLE - FRONT VIEW (CUSTOM FEATURE ONLY)

| CUT-OUT | XDIM | YDIM | DESCRIPTION |
|---------|--------|--------|------------------------------|
| 1 | 1.500 | 1.486 | GND STUD M6 x 16mm (Inside) |
| 2 | 34.379 | 17.959 | LOCK 880 SCQ4-SLSS6 @ 0.0° |
| 3 | 1.424 | 17.959 | LOCK 880 SCQ4-SLSS6 @ 180.0° |
| 4 | 31.553 | 34.494 | LOCK 880 SCQ4-SLSS6 @ 90.0° |
| 5 | 4.250 | 34.494 | LOCK 880 SCQ4-SLSS6 @ 90.0° |



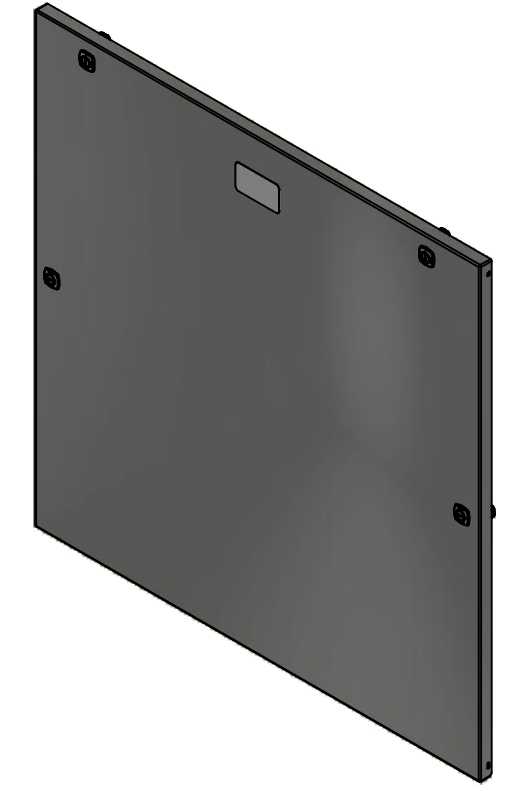
FRONT

| | | |
|--|-----------------------------|--------------|
| | Description | Status |
| | 1412BTSSCU 36" x 36" Cover | (NULL) |
| | Part Number Numéro Pièce | Rev. |
| | 1412BTSSCU03605C | 0 / 8 |
| | | 11 |

This drawing is confidential and must not be reproduced or used without the consent of EXM


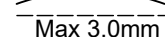
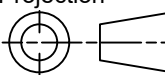
Ce dessin est confidentiel et ne doit pas être reproduit ou utilisé sans le consentement de EXM

| No. | Revisions | Date | By/Par |
|-----|-----------|------|--------|
| | | | |
| | | | |
| | | | |
| | | | |
| | | | |



Isometric View



| | | |
|--|-----------------------------------|---|
|  Tél: (450) 979-4373 Fax: (450) 979-4626 www.exmweb.com | | Flatness Aplatissement  Max 3.0mm Projection  |
| Customer Client | Date | |
| Drawn By Dessiné Par | BoxCad: BoxCad | Date 8/31/2022 |
| Material Matière | 14 Ga Stainless Steel 304 (1.7mm) | |
| Color Couleur | Unpainted | Finish Fini Brushed |
| Description | | Detail Rev. |
| 1412BTSSCU 36" x 36" Cover | | |
| Part Number Numéro Pièce | Rev. | 9 |
| 1412BTSSCU03605C | 0 | 11 |

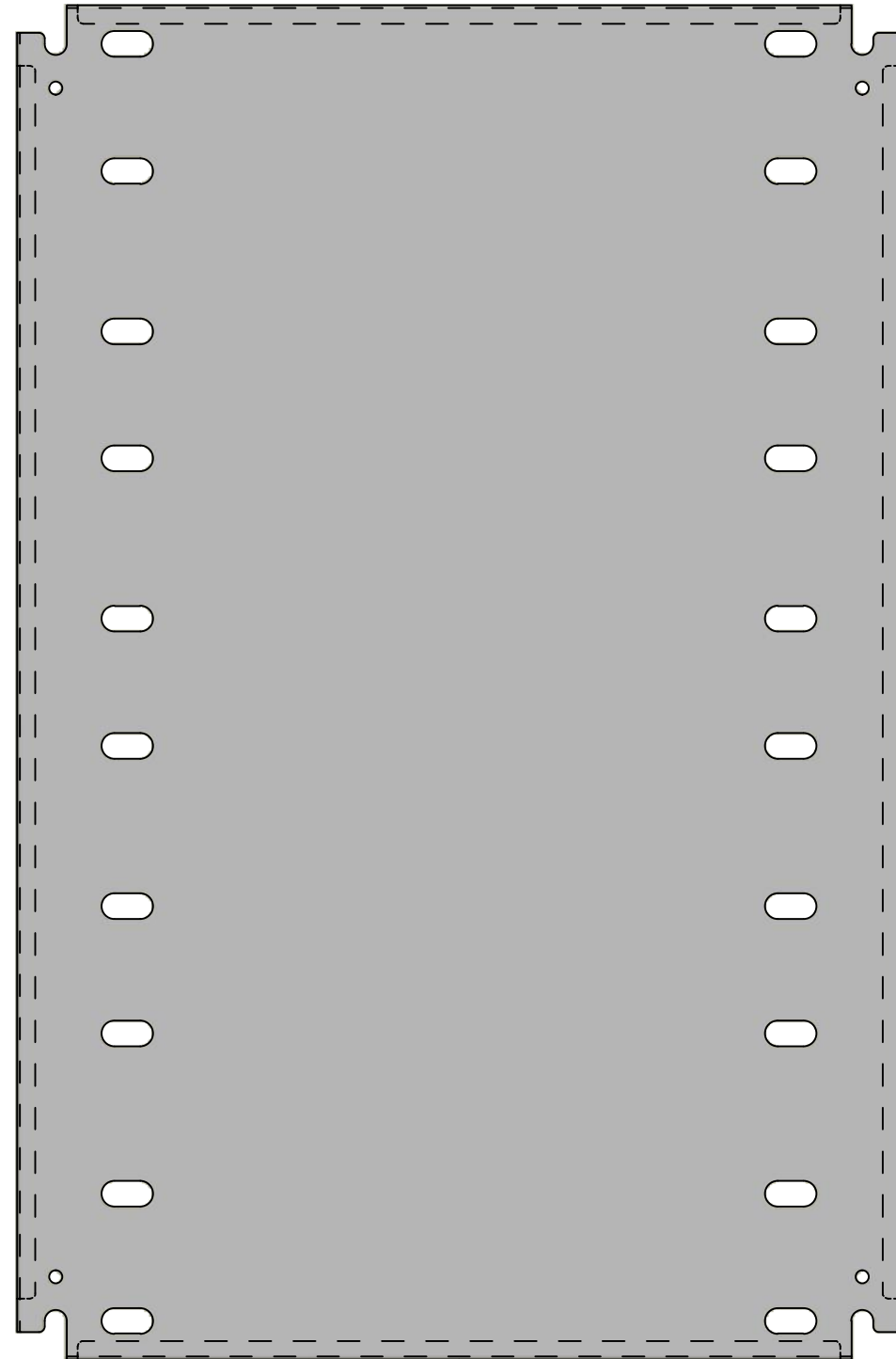
| Qty | Part Name | Rev | Description |
|------------|--------------------|-----|--|
| 1 | 1412BTSSCU03605G | 0 | 1412BTSSCU 36" x 36" Cover Gasket |
| 3 | STK-K-09850 | 6 | 5412 ESS Hinge with 2 Captive Hinge Pins |
| 1 | STK-Q-16095 | 0 | M6 x 16mm Stainless Steel Ground Stud |
| 1 | STK-S-00100 | 0 | 3.5" x 2" Silver Milar Flexcon Sticker |
| 1 | 1412BTSSCU03605C-P | 0 | 1412BTSSCU 36" x 36" Cover Part |
| 4 | 880 SCQ4-SLSS6 | 7 | 5412 ESS 1/4 Turn Lock |
| Parts List | | | |

This drawing is confidential and must not be reproduced or used without the consent of EXM

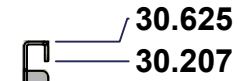
Ce dessin est confidentiel et ne doit pas être reproduit ou utilisé sans le consentement de EXM



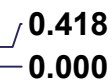
TOP



FRONT

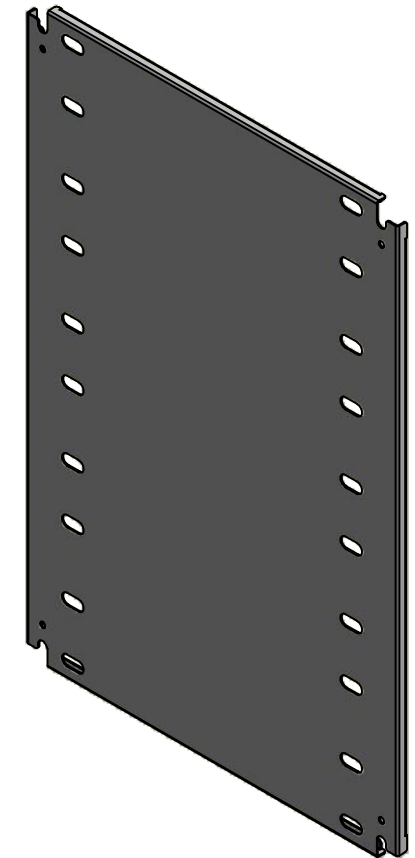


RIGHT



SEE BILL OF MATERIAL ON LAST PAGE

| No. | Revisions | Date | By/Par |
|-----|-----------|------|--------|
| | | | |
| | | | |
| | | | |
| | | | |
| | | | |



Isometric View

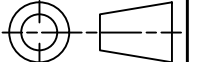


Tél: (450) 979-4373
 Fax: (450) 979-4626
www.exmweb.com

Flatness
Aplatissement

Max 3.0mm

Projection



| | |
|---|-----------------|
| Customer Client | Date |
| Drawn By / Dessiné Par: BoxCad: BoxCad | Date: 8/31/2022 |
| Material / Matière: 14 Ga Cold Rolled A1008 CS Type B (1.7mm) | |

| | |
|--------------------------------|-----------------------|
| Color / Couleur: White RAL9003 | Finish / Fini: Smooth |
|--------------------------------|-----------------------|

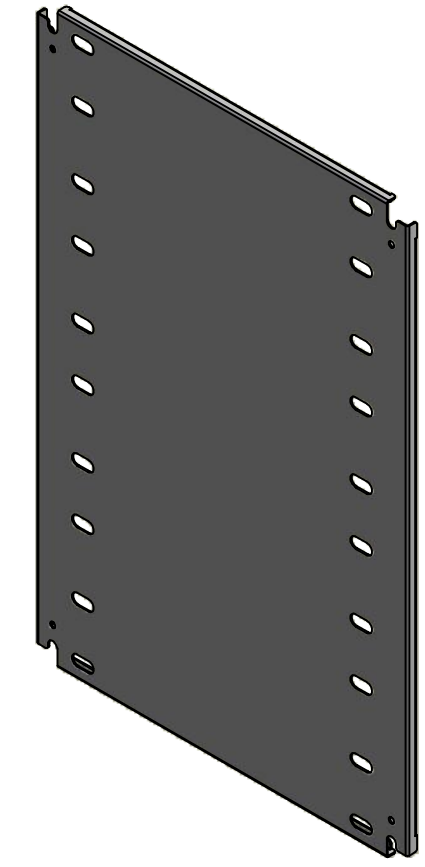
| | |
|---|-------------|
| Description: 1412BTSSCU 30.625" x 20" Inner Panel | Detail Rev. |
|---|-------------|

| | | | |
|--|--------|----|----|
| Part Number / Numéro Pièce: 1412BTSSCU03605IP1 | Rev. 0 | 10 | 11 |
|--|--------|----|----|

This drawing is confidential and must not be reproduced or used without the consent of EXM


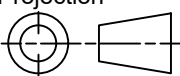
Ce dessin est confidentiel et ne doit pas être reproduit ou utilisé sans le consentement de EXM

| No. | Revisions | Date | By/Par |
|-----|-----------|------|--------|
| | | | |
| | | | |
| | | | |
| | | | |
| | | | |



Isometric View



| | |
|--|---|
|  Tél: (450) 979-4373 Fax: (450) 979-4626 www.exmweb.com | Flatness Aplatissement Max 3.0mm |
| | Projection  |
| Customer Client | Date |
| Drawn By / Dessiné Par: BoxCad: BoxCad | Date: 8/31/2022 |
| Material / Matière: 14 Ga Cold Rolled A1008 CS Type B (1.7mm) | |
| Color / Couleur: White RAL9003 | Finish / Fini: Smooth |
| Description: 1412BTSSCU 30.625" x 20" Inner Panel | |
| Part Number / Numéro Pièce: 1412BTSSCU03605IP1 | Detail Rev. / Rev.: 11 |

| Qty | Part Number | Rev | Description |
|------------|----------------------|-----|---|
| 1 | STK-P-02401S | 0 | Powder Paint (White / Smooth) |
| 1 | 1412BTSSCU03605IP1-P | 0 | 1412BTSSCU 30.625" x 36" Inner Panel Part |
| Parts List | | | |