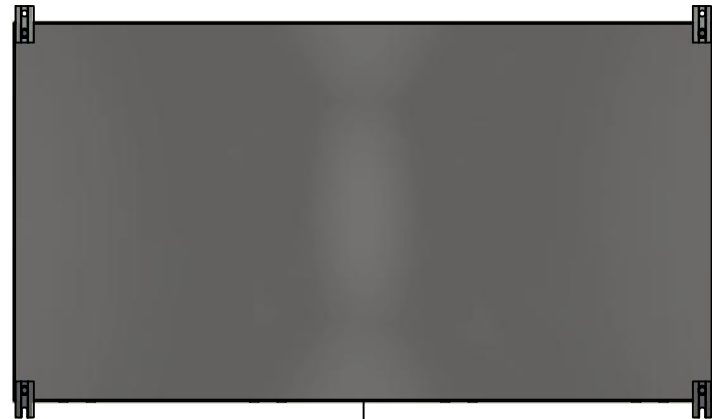


This drawing is confidential and must not be reproduced or used without the consent of EXM

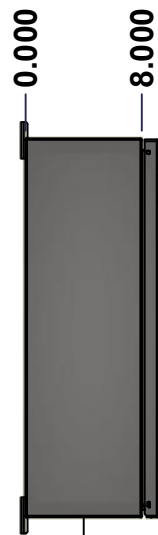
Ce dessin est confidentiel et ne doit pas être reproduit ou utilisé sans le consentement de EXM



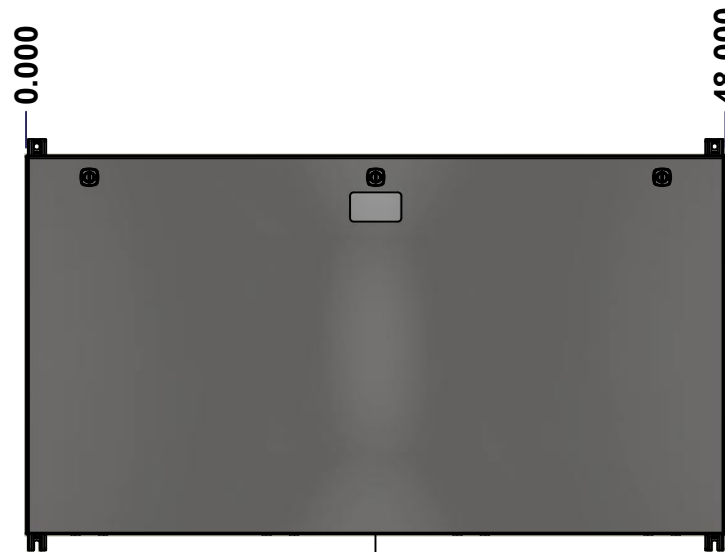
TOP



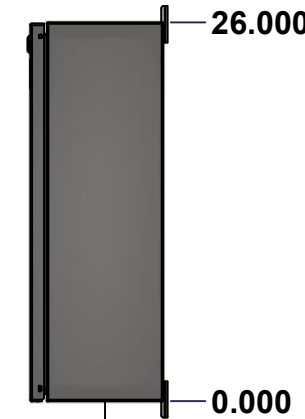
BACK



LEFT



FRONT

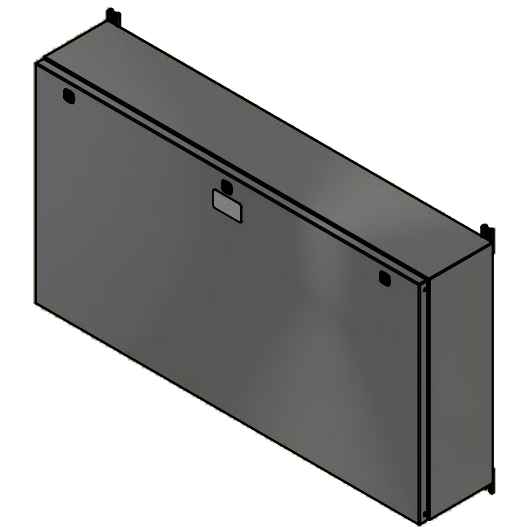


RIGHT



BOTTOM

No.	Revisions	Date	By/Par



Isometric View

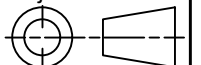


Tél: (450) 979-4373
 Fax: (450) 979-4626
www.exmweb.com

Flatness
Aplatissement

Max 3.0mm

Projection



Customer Client	Date
Drawn By Dessiné Par BoxCad: BoxCad	Date 10/28/2022
Material Matière	14 Ga Stainless Steel 304 (1.7mm)

Color Couleur	Unpainted	Finish Fini	Brushed
------------------	-----------	----------------	---------

Description	Detail Rev.
1412BTSSCU 225A - 5Wires x 48" Assembly	

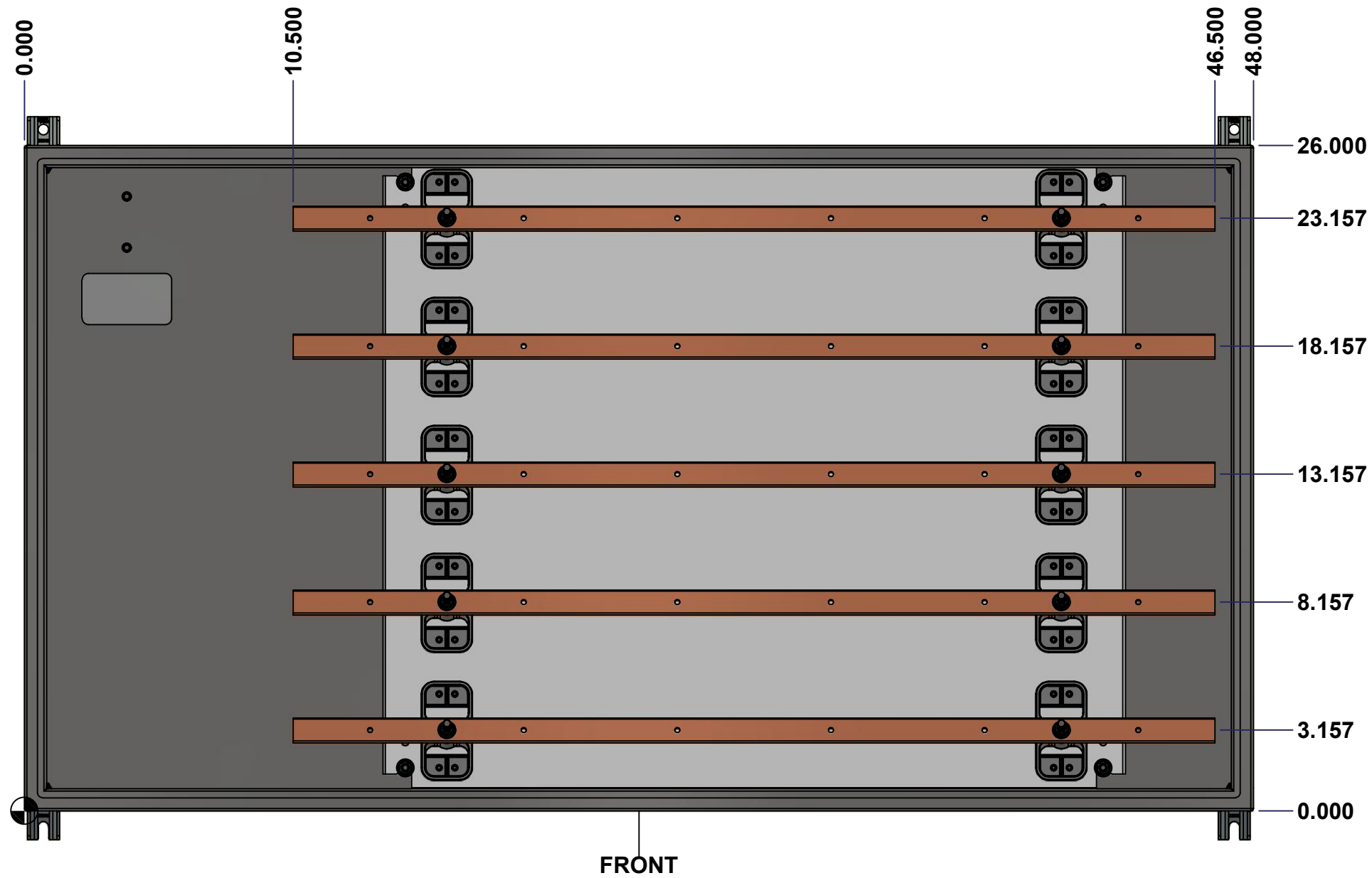
Part Number Numéro Pièce	Rev.	1
1412BTSSCU04205DT	0	16

SEE BILL OF MATERIAL ON LAST PAGE

This drawing is confidential and must not be reproduced or used without the consent of Eurobox

Ce dessin est confidentiel et ne doit pas être reproduit ou utilisé sans le consentement de Eurobox

STANDARD FEATURES ARE NOT LISTED IN THIS HOLE TABLE



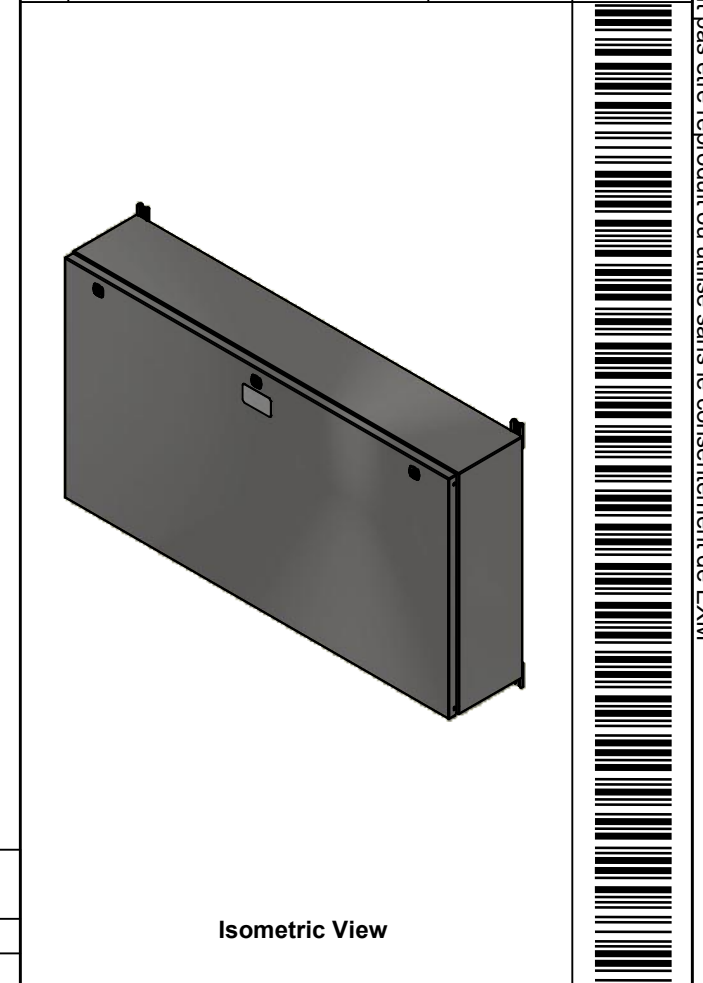
	Description 1412BTSSCU 225A - 5Wires x 48" Assembly		Status (NULL)	
	Part Number Numéro Pièce 1412BTSSCU04205DT		Rev. 0	2 16

This drawing is confidential and must not be reproduced or used without the consent of EXM

Ce dessin est confidentiel et ne doit pas être reproduit ou utilisé sans le consentement de EXM

NOTE	
ITEM	DESCRIPTION
1	NEMA 4X Enclosure
2	C/W Standard ground studs on box and cover
3	W/O Standard door stiffener
4	C/W Special inner panel (Sold separately)
5	C/W Standard inner panel mounting studs

No.	Revisions	Date	By/Par



4	STK-Q-04051-07	8	M6 x 7mm Stainless Steel Hexagon Socket Head Machine Screw with Nyseal
1	885 ESMF2	0	885 ESMF2 Stainless Steel Mounting Feet Kit
1	1412BTSSCU04205DTBA R4-P	0	Rounded Edge Copper Bar 1/8" x 1"
1	1412BTSSCU04205DTBA R1-P	0	Rounded Edge Copper Bar 1/8" x 1"
1	1412BTSSCU04205DTBA R2-P	0	Rounded Edge Copper Bar 1/8" x 1"
1	1412BTSSCU04205DTBA R3-P	0	Rounded Edge Copper Bar 1/8" x 1"
1	1412BTSSCU04205DTBA R5-P	0	Rounded Edge Copper Bar 1/8" x 1"
1	1412BTSSCU04205DTIP1	0	1412BTSSCU 24.625" x 29" Inner Panel
10	STK-A-67400	0	Buss Bar Insulator Kit
1	STK-K-01800	5	5412 ES Accessory Kit
14	STK-Q-07310	2	Flange Lock Nut M8
4	STK-Q-07610	8	M8 Plastic Spacer 22.2mm
1	1412BTSSCU04205DTB	0	1412BTSSCU 26" x 48" x 8" Body
1	1412BTSSCU04205DTC	0	1412BTSSCU 26" x 48" Cover

PACKING		
ITEM	QTY	DESCRIPTION
Cardboard sleeve	2	Top and Bottom
Cardboard strip	2	Between back of enclosure and inner panel
Plastic bag	1	To protect cover surface and inside gasket
Cardboard corner	4	To reinforced for the plastic strap tightening
Plastic strap - Black	2	To Squeeze 2 cardboard sleeve together
Packaging label	3	White label with PN
Plastic strap- Green	2	To secure the enclosure to the wood pallet
Wood Pallet	1	2" deeper and 3" larger than enclosure size

Tél: (450) 979-4373
Fax: (450) 979-4626
www.exmweb.com

Flatness
Aplatissement
Max 3.0mm

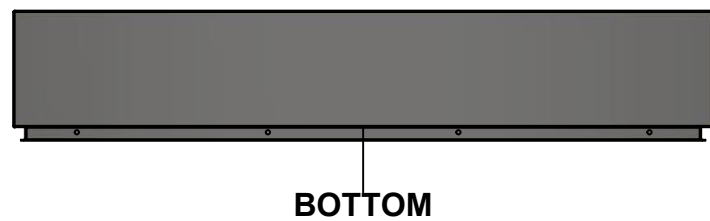
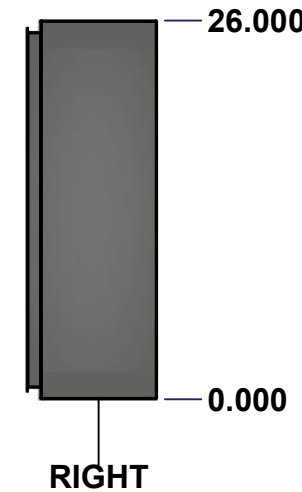
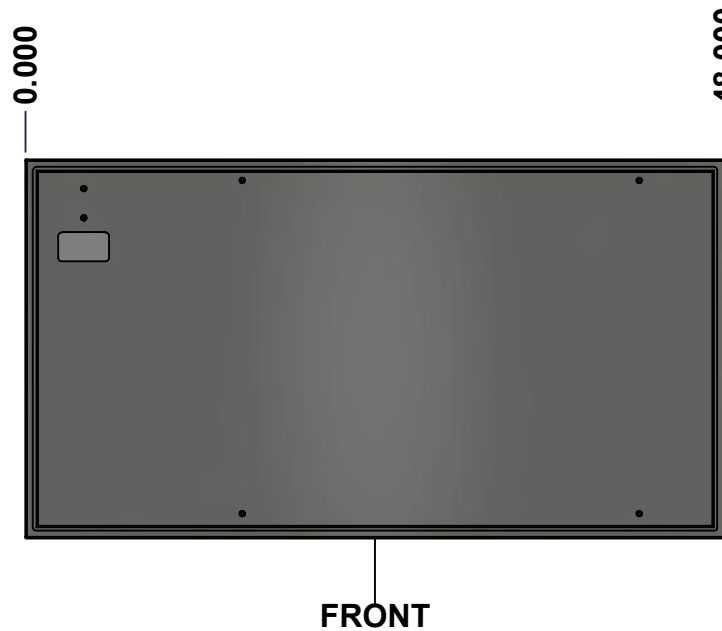
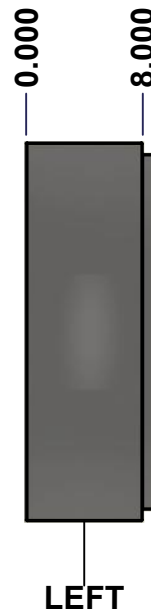
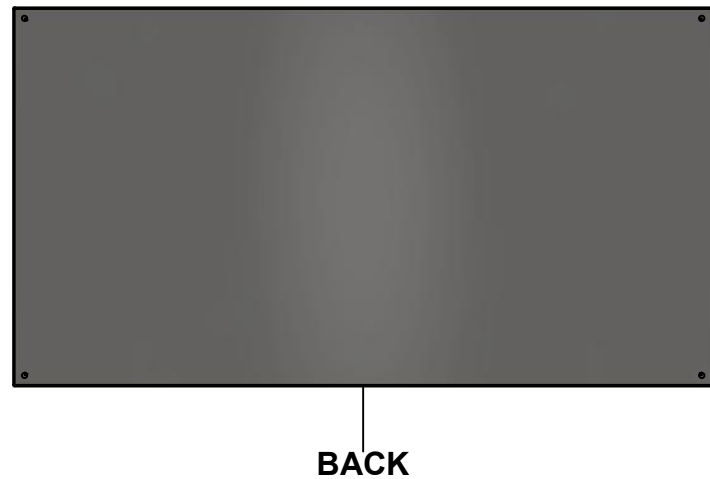
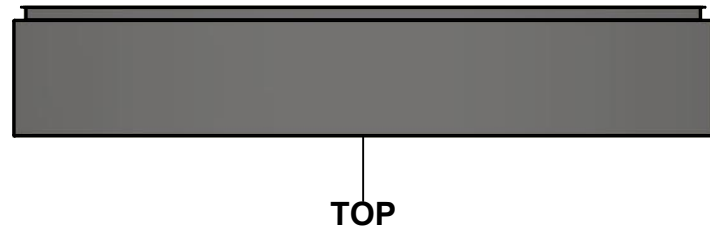
Projection

Customer Client	Date
Drawn By Dessiné Par	Date 10/28/2022
Material Matière	BoxCad: BoxCad 14 Ga Stainless Steel 304 (1.7mm)
Color Couleur	Unpainted Finish Fini Brushed
Description 1412BTSSCU 225A - 5Wires x 48" Assembly	Detail Rev.
Part Number Numéro Pièce 1412BTSSCU04205DT	Rev. 0

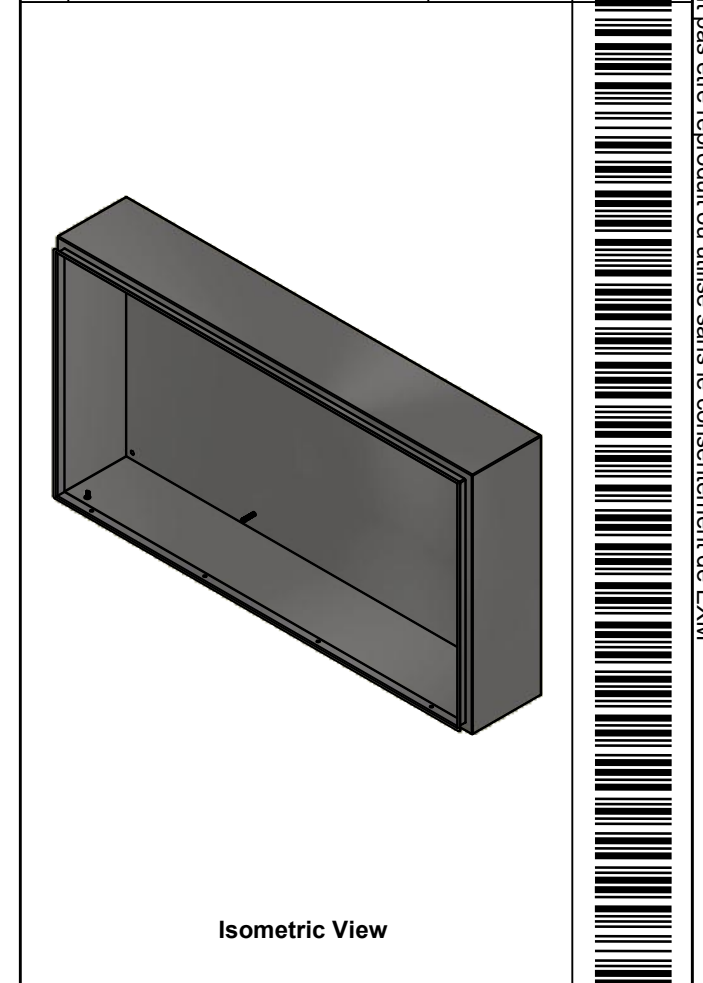
Qty	Part Number	Rev	Description
Parts List			


This drawing is confidential and must not be reproduced or used without the consent of EXM

Ce dessin est confidentiel et ne doit pas être reproduit ou utilisé sans le consentement de EXM



No.	Revisions	Date	By/Par



 Tél: (450) 979-4373 Fax: (450) 979-4626 www.exmweb.com		Flatness Aplatissement
		Max 3.0mm
Customer Client		Date
Drawn By Dessiné Par BoxCad: BoxCad		Date 10/28/2022
Material Matière 14 Ga Stainless Steel 304 (1.7mm)		
Color Couleur Unpainted	Finish Fini Brushed	
Description 1412BTSSCU 26" x 48" x 8" Body		Detail Rev.
Part Number Numéro Pièce 1412BTSSCU04205DTB		Rev. 0

SEE BILL OF MATERIAL ON LAST PAGE

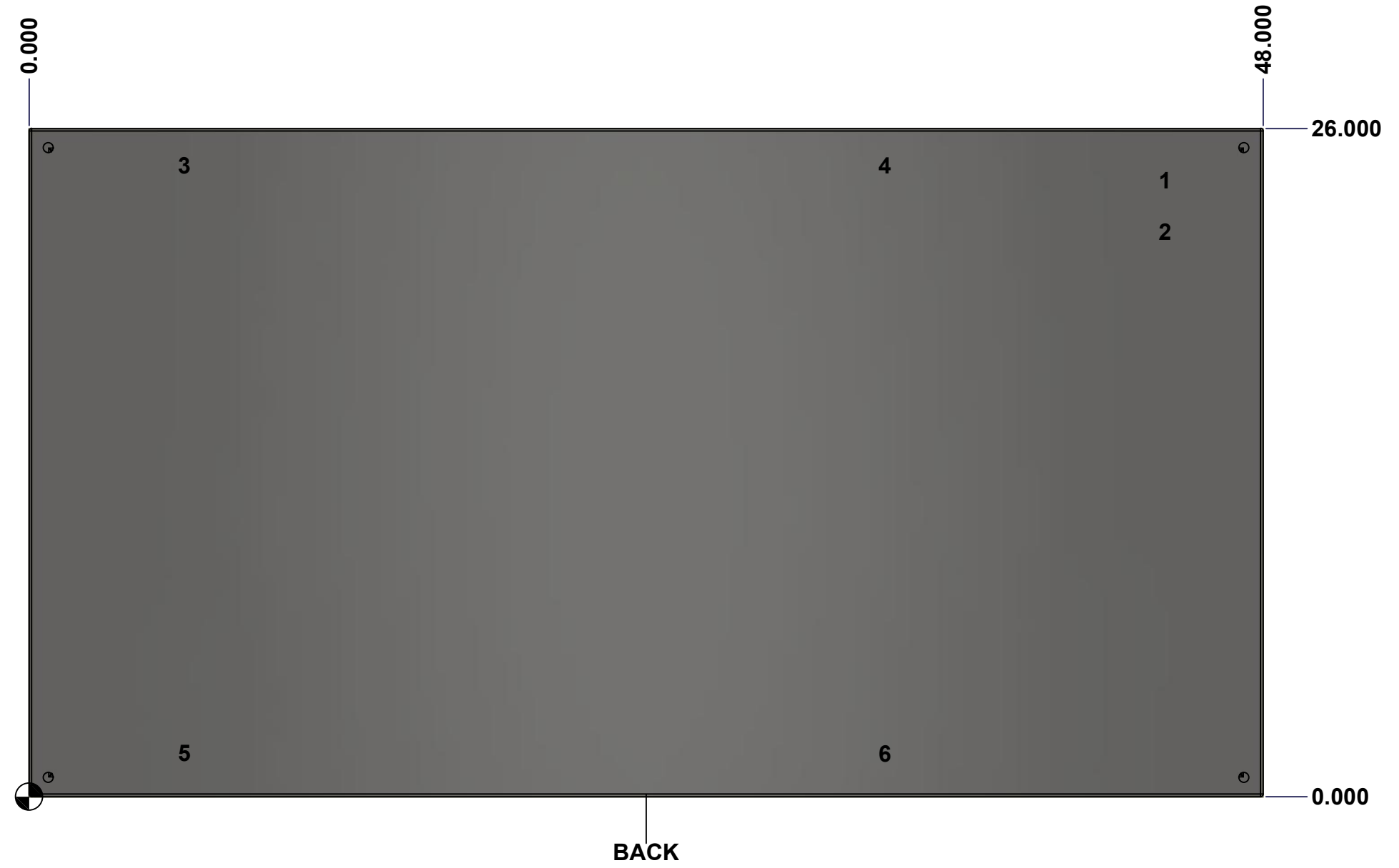
This drawing is confidential and must not be reproduced or used without the consent of Eurobox

Ce dessin est confidentiel et ne doit pas être reproduit ou utilisé sans le consentement de Eurobox

STANDARD FEATURES ARE NOT LISTED IN THIS HOLE TABLE

HOLE TABLE - BACK VIEW (CUSTOM FEATURE ONLY)

CUT-OUT	XDIM	YDIM	DESCRIPTION
1	44.000	24.000	GND STUD M8 x 35mm (Inside)
2	44.000	22.000	GND STUD M8 x 35mm (Inside)
3	5.875	24.563	IP STUD M8 x 35mm (Inside)
4	33.125	24.563	IP STUD M8 x 35mm (Inside)
5	5.875	1.688	IP STUD M8 x 35mm (Inside)
6	33.125	1.688	IP STUD M8 x 35mm (Inside)

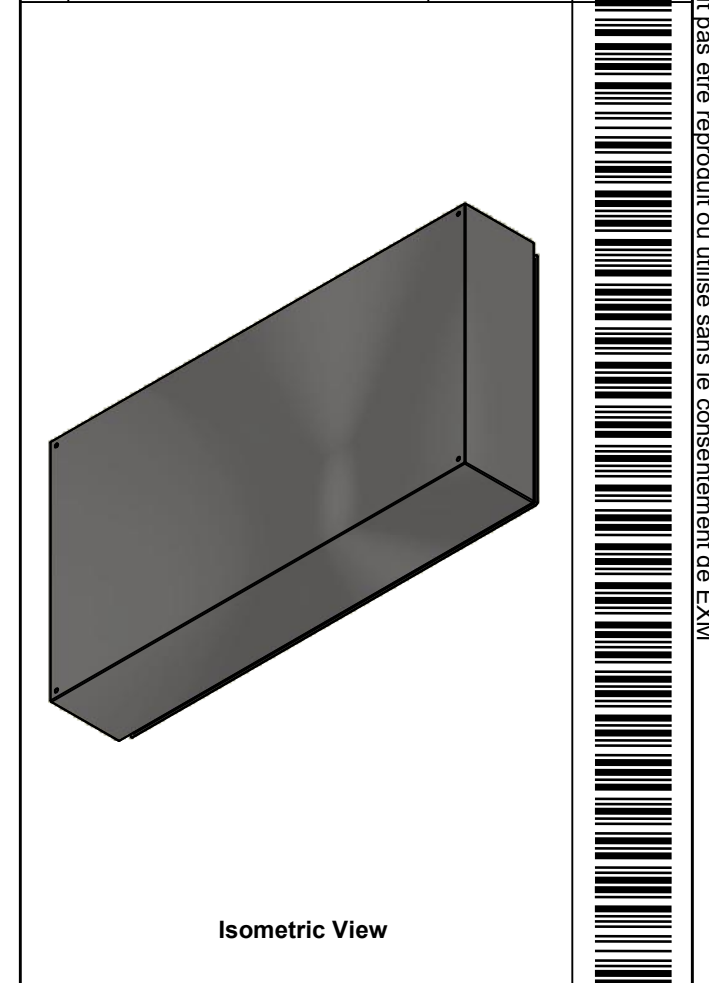


	Description	Status
	1412BTSSCU 26" x 48" x 8" Body	(NULL)
	Part Number Numéro Pièce	Rev.
	1412BTSSCU04205DTB	0 / 5
		16

This drawing is confidential and must not be reproduced or used without the consent of EXM

Ce dessin est confidentiel et ne doit pas être reproduit ou utilisé sans le consentement de EXM

No.	Revisions	Date	By/Par



Tél: (450) 979-4373 Fax: (450) 979-4626 www.exmweb.com		Flatness Aplatissement
		Max 3.0mm
Customer Client		Date
Drawn By Dessiné Par BoxCad: BoxCad		Date 10/28/2022
Material Matière 14 Ga Stainless Steel 304 (1.7mm)		
Color Couleur Unpainted	Finish Fini Brushed	
Description 1412BTSSCU 26" x 48" x 8" Body		Detail Rev.
Part Number Numéro Pièce 1412BTSSCU04205DTB		Rev. 0

6	STK-Q-16020	1	Stud M8 x 35mm Stainless Steel
1	STK-Q-16095	0	M6 x 16mm Stainless Steel Ground Stud
1	STK-S-00100	0	3.5" x 2" Silver Milar Flexcon Sticker
1	1412BTSSCU04205DTB-P	0	1412BTSSCU 26" x 48" x 8" Body Part
Qty	Part Number	Rev	Description
Parts List			

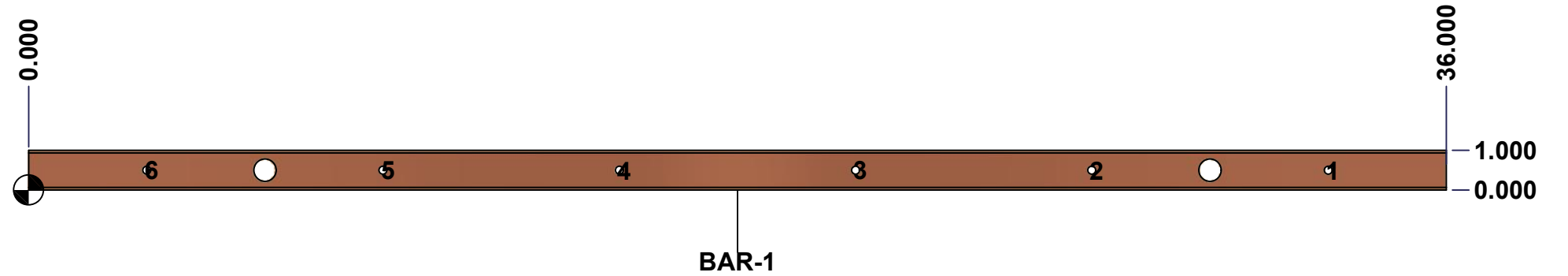
This drawing is confidential and must not be reproduced or used without the consent of Eurobex

Ce dessin est confidentiel et ne doit pas être reproduit ou utilisé sans le consentement de Eurobex

STANDARD FEATURES ARE NOT LISTED IN THIS HOLE TABLE

HOLE TABLE - FRONT VIEW (CUSTOM FEATURE ONLY)

CUT-OUT	XDIM	YDIM	DESCRIPTION
1	33.000	0.500	RND Ø0.201 THREAD 1/4-20 UNC
2	27.000	0.500	RND Ø0.201 THREAD 1/4-20 UNC
3	21.000	0.500	RND Ø0.201 THREAD 1/4-20 UNC
4	15.000	0.500	RND Ø0.201 THREAD 1/4-20 UNC
5	9.000	0.500	RND Ø0.201 THREAD 1/4-20 UNC
6	3.000	0.500	RND Ø0.201 THREAD 1/4-20 UNC



	Description	Status
	Rounded Edge Copper Bar 1/8" x 1"	(NULL)
	Part Number Numéro Pièce	Rev.
	1412BTSSCU04205DTBAR1-P 0	7
		16

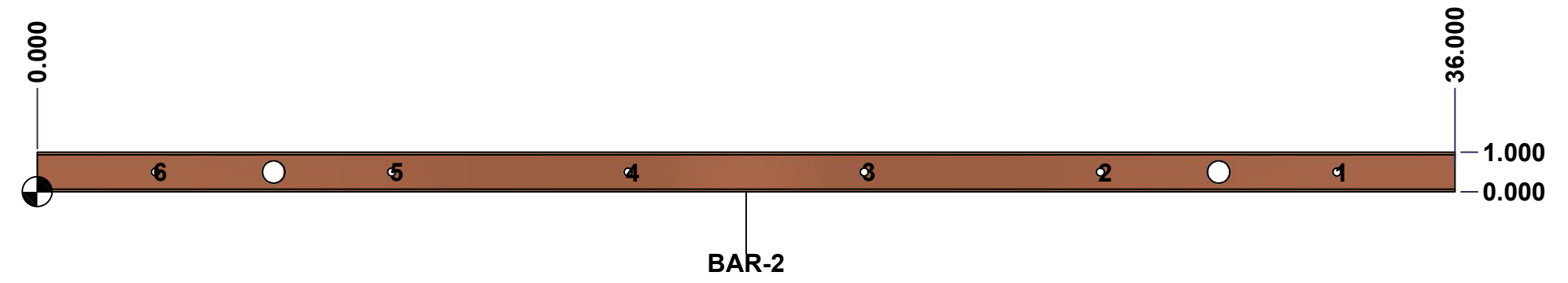
This drawing is confidential and must not be reproduced or used without the consent of Eurobox

Ce dessin est confidentiel et ne doit pas être reproduit ou utilisé sans le consentement de Eurobox

STANDARD FEATURES ARE NOT LISTED IN THIS HOLE TABLE

HOLE TABLE - FRONT VIEW (CUSTOM FEATURE ONLY)

CUT-OUT	XDIM	YDIM	DESCRIPTION
1	33.000	0.500	RND Ø0.201 THREAD 1/4-20 UNC
2	27.000	0.500	RND Ø0.201 THREAD 1/4-20 UNC
3	21.000	0.500	RND Ø0.201 THREAD 1/4-20 UNC
4	15.000	0.500	RND Ø0.201 THREAD 1/4-20 UNC
5	9.000	0.500	RND Ø0.201 THREAD 1/4-20 UNC
6	3.000	0.500	RND Ø0.201 THREAD 1/4-20 UNC



	Description	Status
	Rounded Edge Copper Bar 1/8" x 1"	(NULL)
	Part Number Numéro Pièce	Rev.
	1412BTSSCU04205DTBAR2-P 0	8
		16

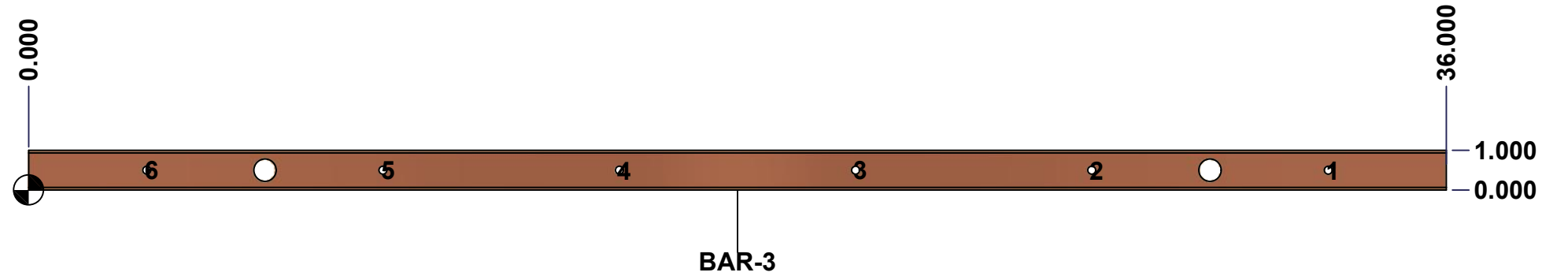
This drawing is confidential and must not be reproduced or used without the consent of Eurobox

Ce dessin est confidentiel et ne doit pas être reproduit ou utilisé sans le consentement de Eurobox

STANDARD FEATURES ARE NOT LISTED IN THIS HOLE TABLE

HOLE TABLE - FRONT VIEW (CUSTOM FEATURE ONLY)

CUT-OUT	XDIM	YDIM	DESCRIPTION
1	33.000	0.500	RND Ø0.201 THREAD 1/4-20 UNC
2	27.000	0.500	RND Ø0.201 THREAD 1/4-20 UNC
3	21.000	0.500	RND Ø0.201 THREAD 1/4-20 UNC
4	15.000	0.500	RND Ø0.201 THREAD 1/4-20 UNC
5	9.000	0.500	RND Ø0.201 THREAD 1/4-20 UNC
6	3.000	0.500	RND Ø0.201 THREAD 1/4-20 UNC



	Description	Status
	Rounded Edge Copper Bar 1/8" x 1"	(NULL)
	Part Number Numéro Pièce	Rev.
	1412BTSSCU04205DTBAR3-P 0	9
		16

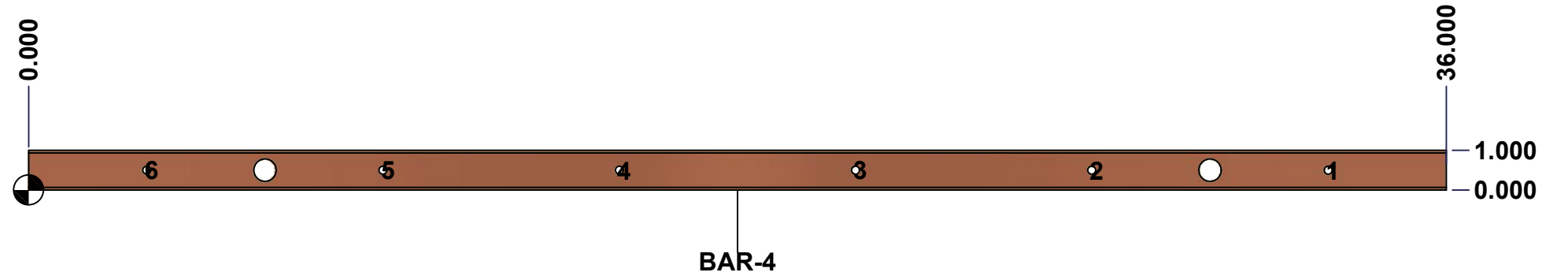
This drawing is confidential and must not be reproduced or used without the consent of Eurobex

Ce dessin est confidentiel et ne doit pas être reproduit ou utilisé sans le consentement de Eurobex

STANDARD FEATURES ARE NOT LISTED IN THIS HOLE TABLE

HOLE TABLE - FRONT VIEW (CUSTOM FEATURE ONLY)

CUT-OUT	XDIM	YDIM	DESCRIPTION
1	33.000	0.500	RND Ø0.201 THREAD 1/4-20 UNC
2	27.000	0.500	RND Ø0.201 THREAD 1/4-20 UNC
3	21.000	0.500	RND Ø0.201 THREAD 1/4-20 UNC
4	15.000	0.500	RND Ø0.201 THREAD 1/4-20 UNC
5	9.000	0.500	RND Ø0.201 THREAD 1/4-20 UNC
6	3.000	0.500	RND Ø0.201 THREAD 1/4-20 UNC



	Description	Status	
	Rounded Edge Copper Bar 1/8" x 1"	(NULL)	
	Part Number Numéro Pièce	Rev.	10
	1412BTSSCU04205DTBAR4-P 0		16

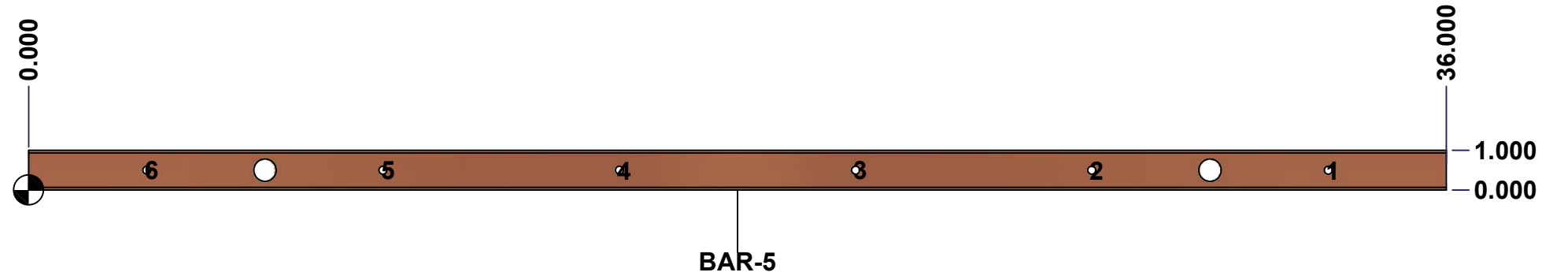
This drawing is confidential and must not be reproduced or used without the consent of Eurobox

Ce dessin est confidentiel et ne doit pas être reproduit ou utilisé sans le consentement de Eurobox

STANDARD FEATURES ARE NOT LISTED IN THIS HOLE TABLE

HOLE TABLE - FRONT VIEW (CUSTOM FEATURE ONLY)

CUT-OUT	XDIM	YDIM	DESCRIPTION
1	33.000	0.500	RND Ø0.201 THREAD 1/4-20 UNC
2	27.000	0.500	RND Ø0.201 THREAD 1/4-20 UNC
3	21.000	0.500	RND Ø0.201 THREAD 1/4-20 UNC
4	15.000	0.500	RND Ø0.201 THREAD 1/4-20 UNC
5	9.000	0.500	RND Ø0.201 THREAD 1/4-20 UNC
6	3.000	0.500	RND Ø0.201 THREAD 1/4-20 UNC



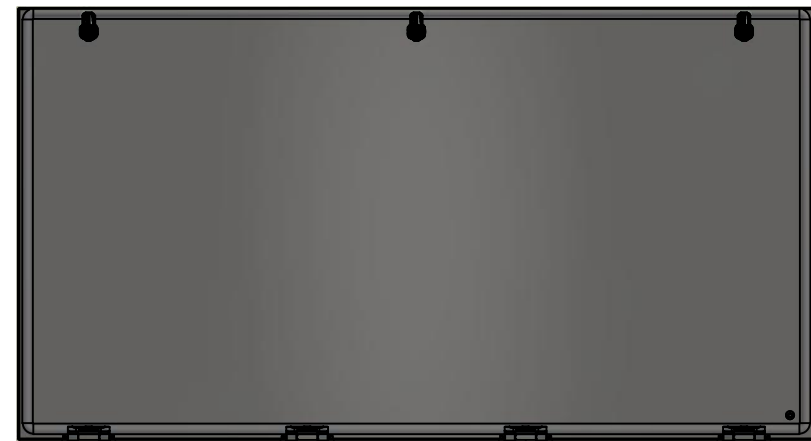
	Description	Status
	Rounded Edge Copper Bar 1/8" x 1"	(NULL)
	Part Number Numéro Pièce	Rev.
	1412BTSSCU04205DTBAR5-P 0	11
		16

This drawing is confidential and must not be reproduced or used without the consent of EXM

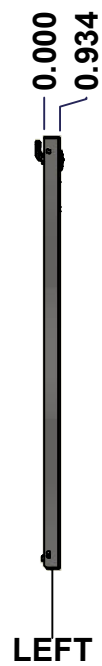
Ce dessin est confidentiel et ne doit pas être reproduit ou utilisé sans le consentement de EXM



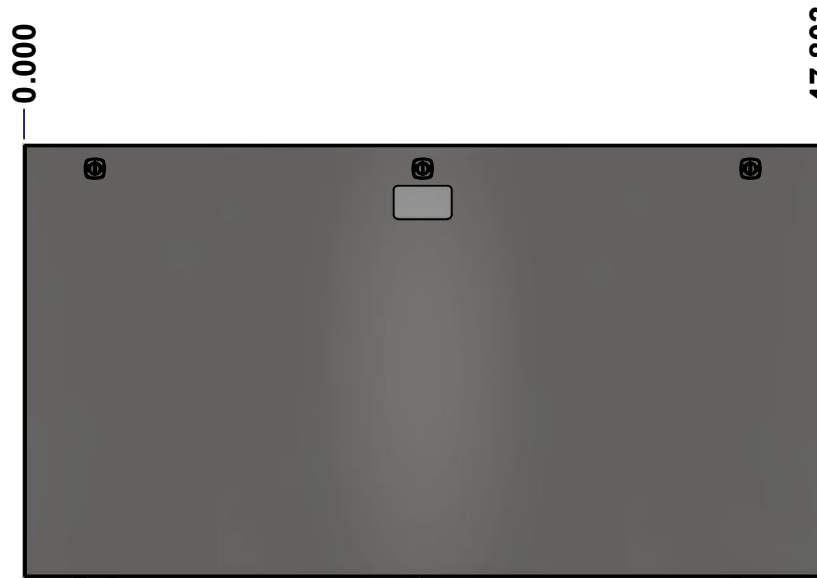
TOP



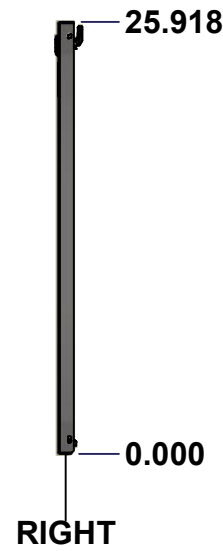
BACK



LEFT

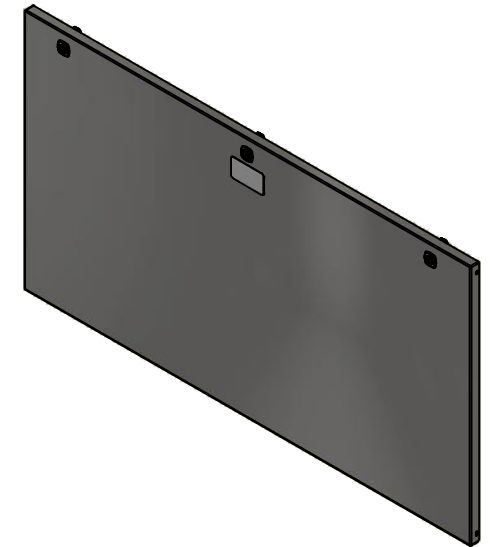


FRONT



RIGHT


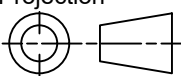
No.	Revisions	Date	By/Par



Isometric View



BOTTOM

 Tél: (450) 979-4373 Fax: (450) 979-4626 www.exmweb.com		Flatness Aplatissement Max 3.0mm Projection 
Customer Client	Date	
Drawn By Dessiné Par	BoxCad: BoxCad	Date 10/28/2022
Material Matière	14 Ga Stainless Steel 304 (1.7mm)	
Color Couleur	Unpainted	Finish Fini Brushed
Description	Detail Rev.	
1412BTSSCU 26" x 48" Cover		
Part Number Numéro Pièce	Rev.	12
SEE BILL OF MATERIAL ON LAST PAGE	1412BTSSCU04205DTC	0

SEE BILL OF MATERIAL ON LAST PAGE

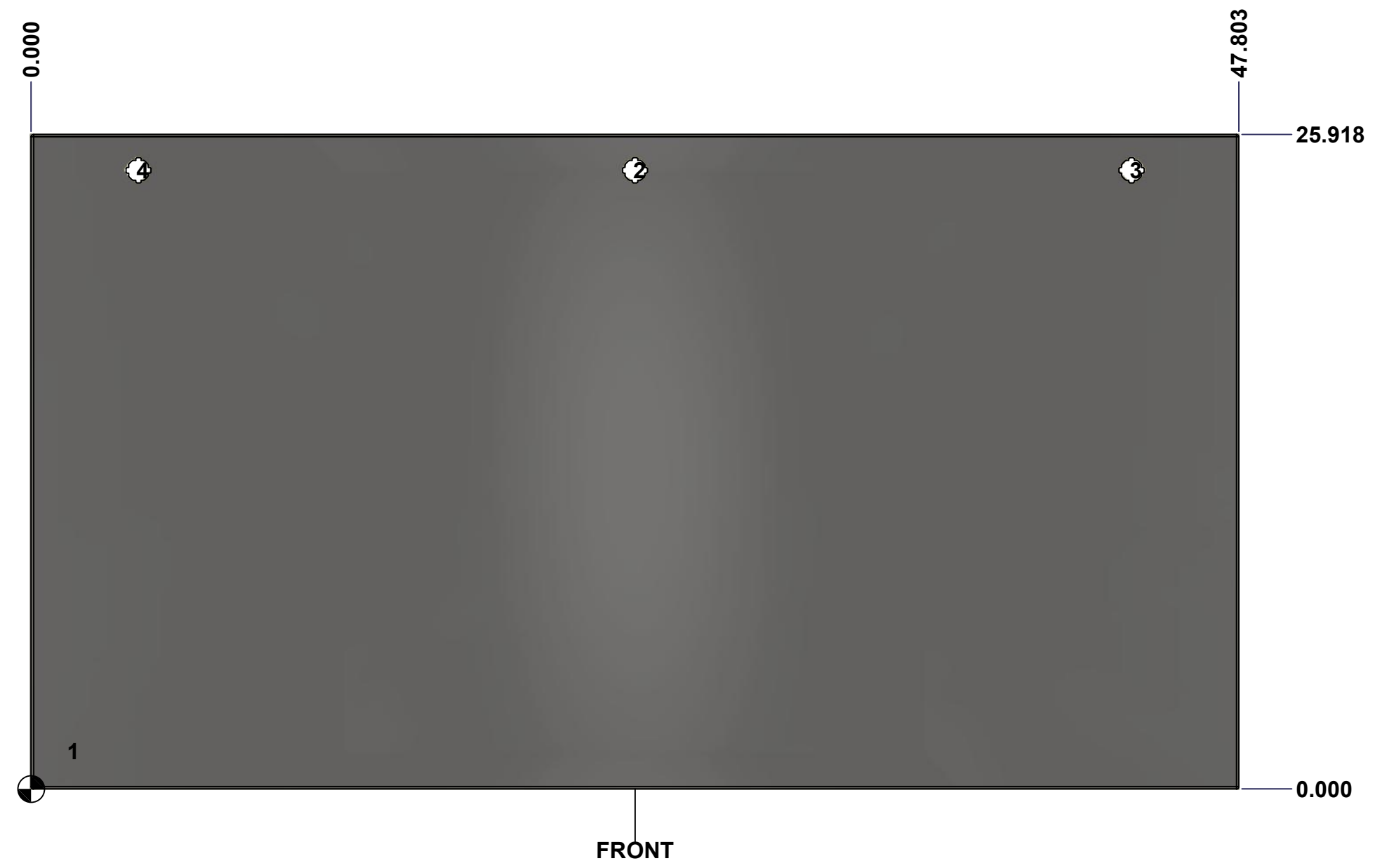
1412BTSSCU04205DTC

Rev. 0
12
16

This drawing is confidential and must not be reproduced or used without the consent of Eurobox

Ce dessin est confidentiel et ne doit pas être reproduit ou utilisé sans le consentement de Eurobox

STANDARD FEATURES ARE NOT LISTED IN THIS HOLE TABLE			
HOLE TABLE - FRONT VIEW (CUSTOM FEATURE ONLY)			
CUT-OUT	XDIM	YDIM	DESCRIPTION
1	1.500	1.486	GND STUD M6 x 16mm (Inside)
2	23.902	24.494	LOCK 880 SCQ4-SLSS6 @ 90.0°
3	43.553	24.494	LOCK 880 SCQ4-SLSS6 @ 90.0°
4	4.250	24.494	LOCK 880 SCQ4-SLSS6 @ 90.0°

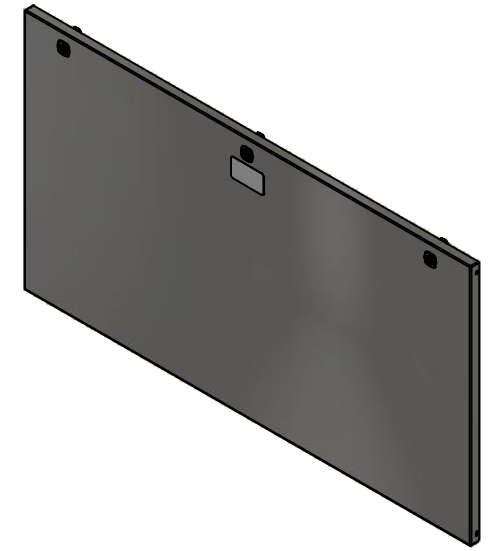


	Description	Status
	1412BTSSCU 26" x 48" Cover	(NULL)
	Part Number Numéro Pièce	Rev.
	1412BTSSCU04205DTC	0
		13
		16

This drawing is confidential and must not be reproduced or used without the consent of EXM

Ce dessin est confidentiel et ne doit pas être reproduit ou utilisé sans le consentement de EXM

No.	Revisions	Date	By/Par



Isometric View



Tél: (450) 979-4373
 Fax: (450) 979-4626
www.exmweb.com

Flatness
Aplatissement
Max 3.0mm
Projection

Customer Client	Date
Drawn By / Dessiné Par: BoxCad: BoxCad	Date: 10/28/2022

Material / Matière: 14 Ga Stainless Steel 304 (1.7mm)

Color / Couleur: Unpainted	Finish / Fini: Brushed
----------------------------	------------------------

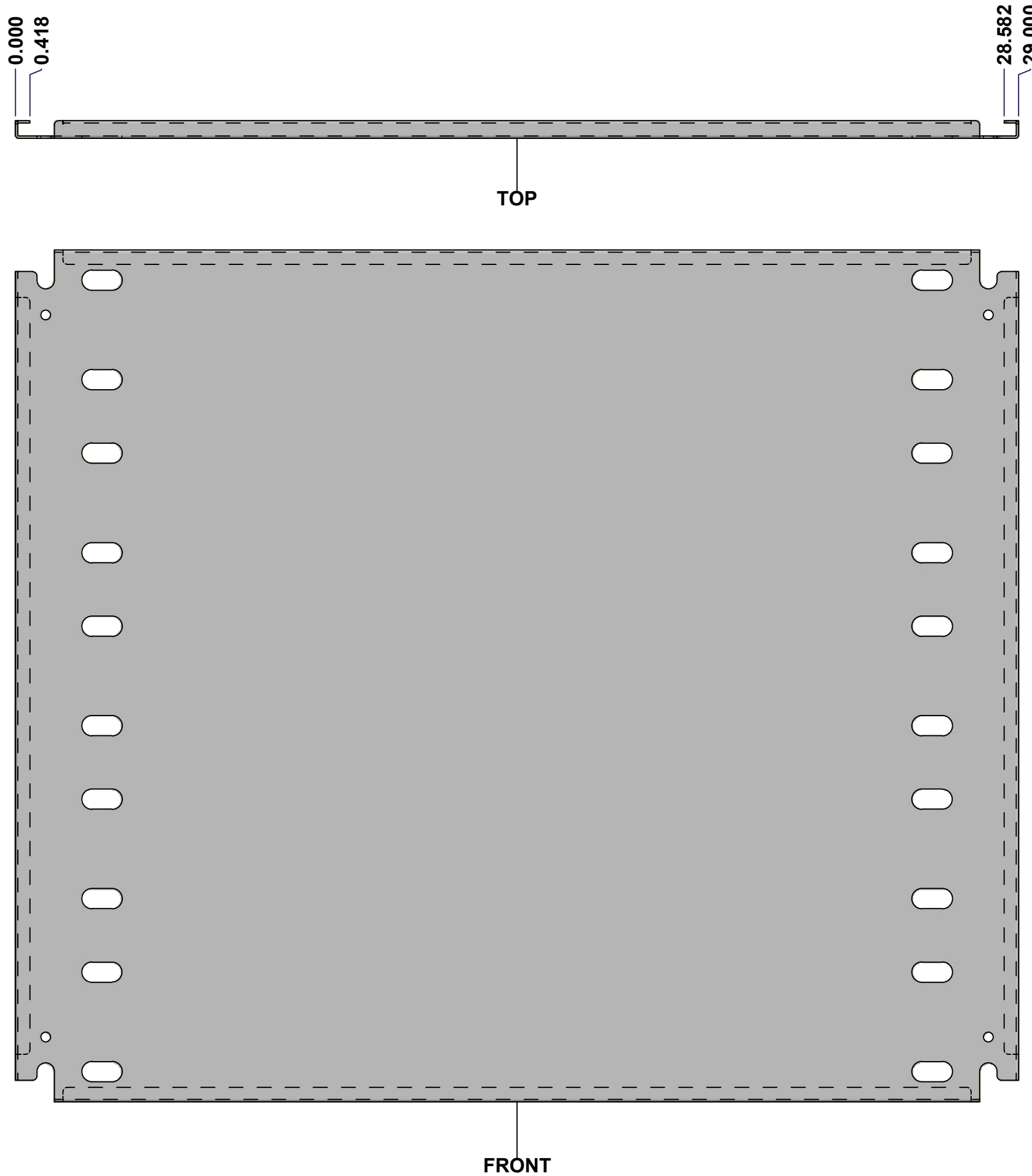
Description: 1412BTSSCU 26" x 48" Cover	Detail Rev.
---	-------------

Part Number / Numéro Pièce: 1412BTSSCU04205DTC	Rev. 0	14 / 16
---	---------------	---------

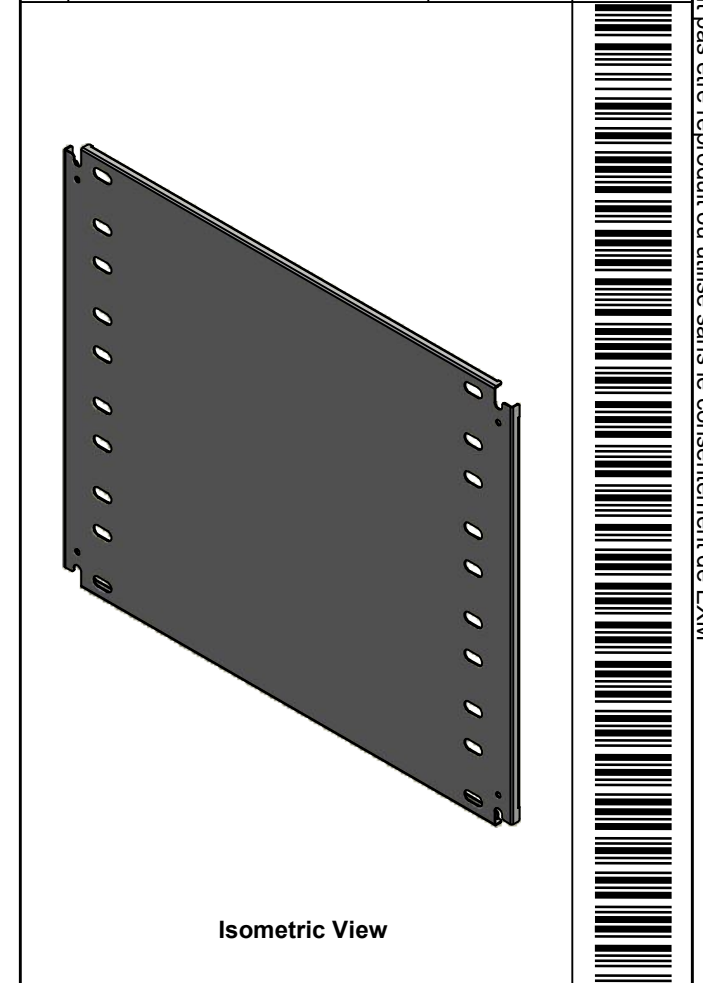
Qty	Part Name	Rev	Description
1	1412BTSSCU04205DTG	0	1412BTSSCU 26" x 48" Cover Gasket
4	STK-K-09850	6	5412 ESS Hinge with 2 Captive Hinge Pins
1	STK-Q-16095	0	M6 x 16mm Stainless Steel Ground Stud
1	STK-S-00100	0	3.5" x 2" Silver Milar Flexcon Sticker
1	1412BTSSCU04205DTC-P	0	1412BTSSCU 26" x 48" Cover Part
3	880 SCQ4-SLSS6	7	5412 ESS 1/4 Turn Lock
Parts List			

This drawing is confidential and must not be reproduced or used without the consent of EXM

Ce dessin est confidentiel et ne doit pas être reproduit ou utilisé sans le consentement de EXM



No.	Revisions	Date	By/Par



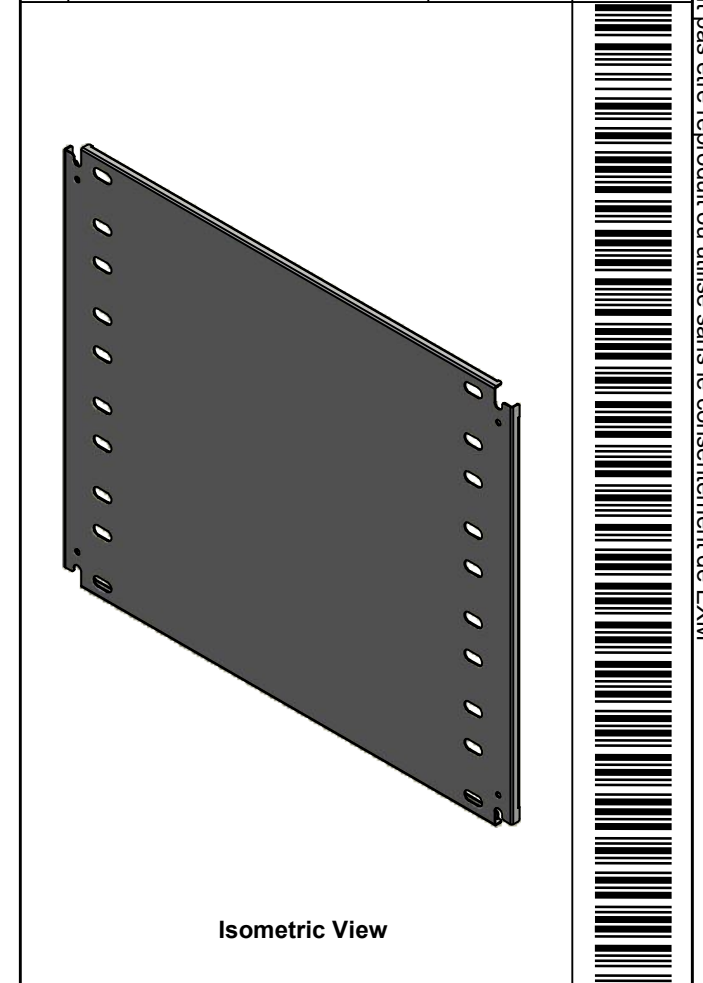
		Flatness Aplatissement Max 3.0mm
Tél: (450) 979-4373 Fax: (450) 979-4626 www.exmweb.com		Projection
Customer Client	Date	
Drawn By Dessiné Par	BoxCad: BoxCad	Date 10/28/2022
Material Matière	14 Ga Cold Rolled A1008 CS Type B (1.7mm)	
Color Couleur	White RAL9003	Finish Fini Smooth
Description 1412BTSSCU 24.625" x 29" Inner Panel		Detail Rev.
Part Number Numéro Pièce	1412BTSSCU04205DTIP1	Rev. 15 0 16

SEE BILL OF MATERIAL ON LAST PAGE

This drawing is confidential and must not be reproduced or used without the consent of EXM


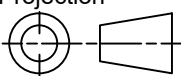
Ce dessin est confidentiel et ne doit pas être reproduit ou utilisé sans le consentement de EXM

No.	Revisions	Date	By/Par



Isometric View



 Tél: (450) 979-4373 Fax: (450) 979-4626 www.exmweb.com	Flatness Aplatissement Max 3.0mm
	Projection 
Customer Client	Date
Drawn By Dessiné Par BoxCad: BoxCad	Date 10/28/2022
Material Matière 14 Ga Cold Rolled A1008 CS Type B (1.7mm)	
Color Couleur White RAL9003	Finish Fini Smooth
Description 1412BTSSCU 24.625" x 29" Inner Panel	
Part Number Numéro Pièce 1412BTSSCU04205DTIP1	Detail Rev. Rev. 16 0

Qty	Part Number	Rev	Description
1	STK-P-02401S	0	Powder Paint (White / Smooth)
1	1412BTSSCU04205DTIP1-P	0	1412BTSSCU 24.625" x 48" Inner Panel Part
Parts List			