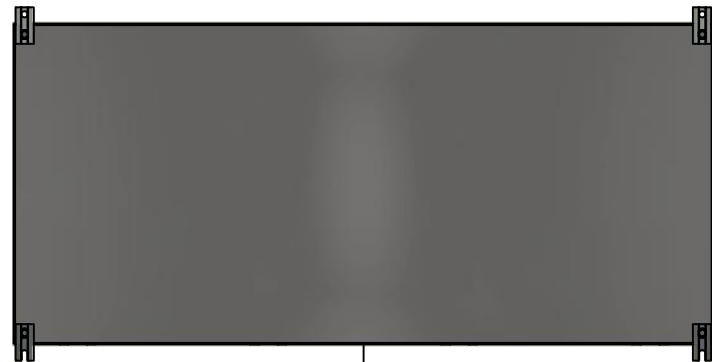


This drawing is confidential and must not be reproduced or used without the consent of EXM

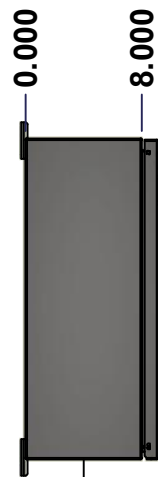
Ce dessin est confidentiel et ne doit pas être reproduit ou utilisé sans le consentement de EXM



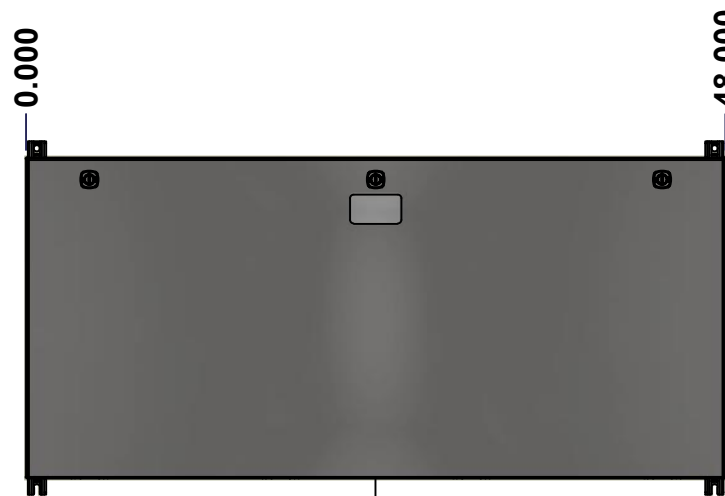
TOP



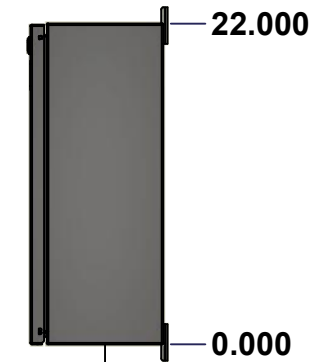
BACK



LEFT



FRONT

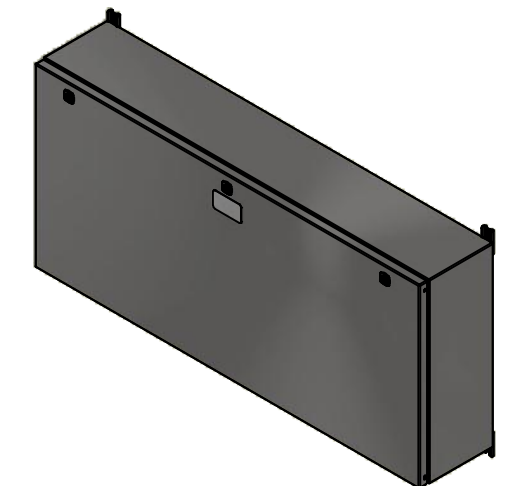


RIGHT



BOTTOM

No.	Revisions	Date	By/Par



Isometric View



Tél: (450) 979-4373
 Fax: (450) 979-4626
www.exmweb.com

Flatness
 Aplatissement
 Max 3.0mm
 Projection

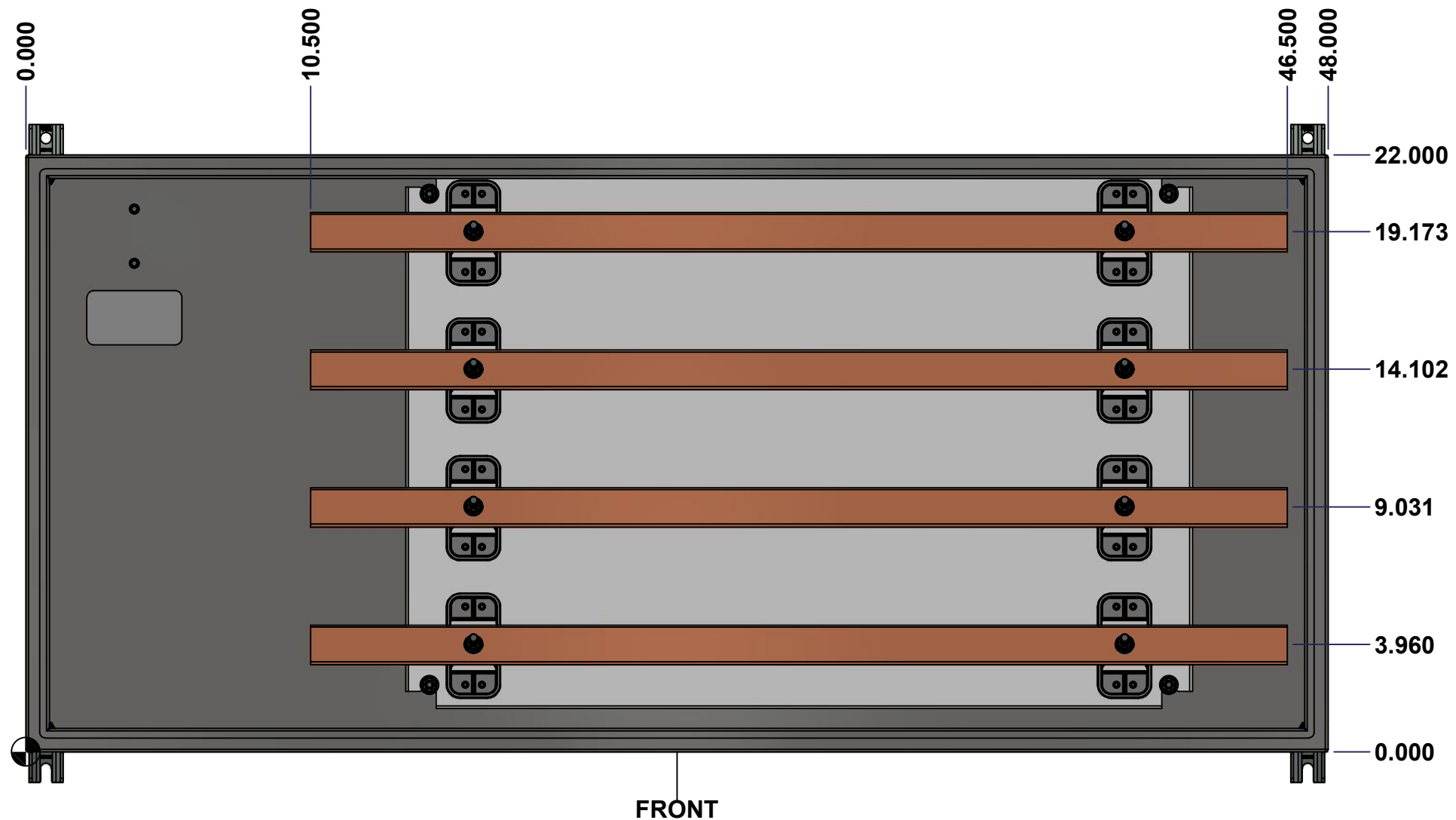
Customer Client	Date
Drawn By Dessiné Par BoxCad: BoxCad	Date 9/1/2022
Material Matière 14 Ga Stainless Steel 304 (1.7mm)	
Color Couleur Unpainted	Finish Fini Brushed
Description 1412BTSSCU 400A - 4Wires x 48" Assembly	Detail Rev.
Part Number Numéro Pièce 1412BTSSCU04404	Rev. 0

SEE BILL OF MATERIAL ON LAST PAGE

This drawing is confidential and must not be reproduced or used without the consent of Eurobox

STANDARD FEATURES ARE NOT LISTED IN THIS HOLE TABLE

Ce dessin est confidentiel et ne doit pas être reproduit ou utilisé sans le consentement de Eurobox



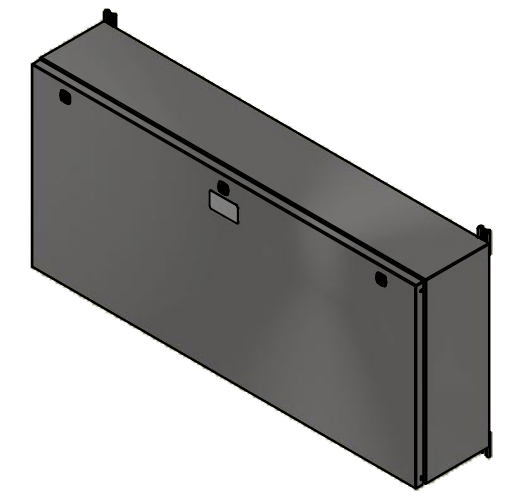
	Description 1412BTSSCU 400A - 4Wires x 48" Assembly		Status (NULL)	
	Part Number Numéro Pièce 1412BTSSCU04404		Rev. 0	2 11

This drawing is confidential and must not be reproduced or used without the consent of EXM

Ce dessin est confidentiel et ne doit pas être reproduit ou utilisé sans le consentement de EXM

NOTE	
ITEM	DESCRIPTION
1	NEMA 4X Enclosure
2	C/W Standard ground studs on box and cover
3	W/O Standard door stiffener
4	C/W Special inner panel (Sold separately)
5	C/W Standard inner panel mounting studs

No.	Revisions	Date	By/Par



Isometric View



4	STK-Q-04051-07	8	M6 x 7mm Stainless Steel Hexagon Socket Head Machine Screw with Nyseal
1	885 ESMF2	0	885 ESMF2 Stainless Steel Mounting Feet Kit
1	1412BTSSCU04404BAR4-P	0	Rounded Edge Copper Bar 3/16" x 1 1/2"
1	1412BTSSCU04404BAR1-P	0	Rounded Edge Copper Bar 3/16" x 1 1/2"
1	1412BTSSCU04404BAR2-P	0	Rounded Edge Copper Bar 3/16" x 1 1/2"
1	1412BTSSCU04404BAR3-P	0	Rounded Edge Copper Bar 3/16" x 1 1/2"
1	1412BTSSCU04404IP1	0	1412BTSSCU 19.838" x 29" Inner Panel
8	STK-A-67400	0	Buss Bar Insulator Kit
1	STK-K-01800	5	5412 ES Accessory Kit
12	STK-Q-07310	2	Flange Lock Nut M8
4	STK-Q-07610	8	M8 Plastic Spacer 22.2mm
1	1412BTSSCU04404B	0	1412BTSSCU 22" x 48" x 8" Body
1	1412BTSSCU04404C	0	1412BTSSCU 22" x 48" Cover

PACKING		
ITEM	QTY	DESCRIPTION
Cardboard sleeve	2	Top and Bottom
Cardboard strip	2	Between back of enclosure and inner panel
Plastic bag	1	To protect cover surface and inside gasket
Cardboard corner	4	To reinforced for the plastic strap tightening
Plastic strap - Black	2	To Squeeze 2 cardboard sleeve together
Packaging label	3	White label with PN
Plastic strap- Green	2	To secure the enclosure to the wood pallet
Wood Pallet	1	2" deeper and 3" larger than enclosure size

Tél: (450) 979-4373
Fax: (450) 979-4626
www.exmweb.com

Flatness
Aplatissement
Max 3.0mm

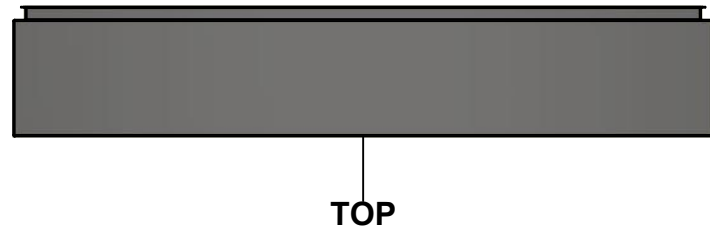
Projection

Customer Client	Date
Drawn By Dessiné Par: BoxCad: BoxCad	Date: 9/1/2022
Material Matière: 14 Ga Stainless Steel 304 (1.7mm)	
Color Couleur: Unpainted	Finish Fini: Brushed
Description: 1412BTSSCU 400A - 4Wires x 48" Assembly	
Part Number Numéro Pièce: 1412BTSSCU04404	Rev. 0

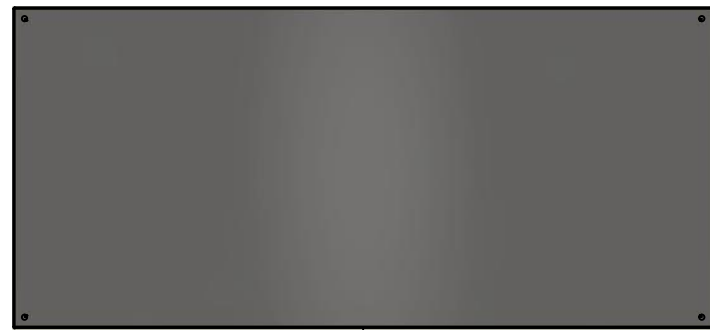
Qty	Part Number	Rev	Description
Parts List			

This drawing is confidential and must not be reproduced or used without the consent of EXM

Ce dessin est confidentiel et ne doit pas être reproduit ou utilisé sans le consentement de EXM



TOP



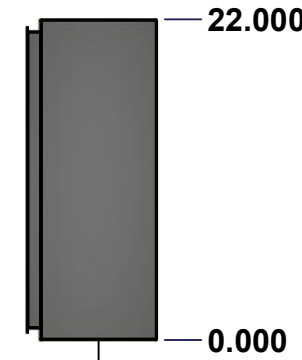
BACK



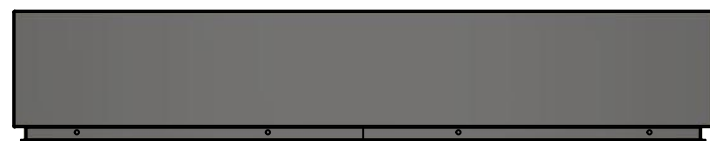
LEFT



FRONT

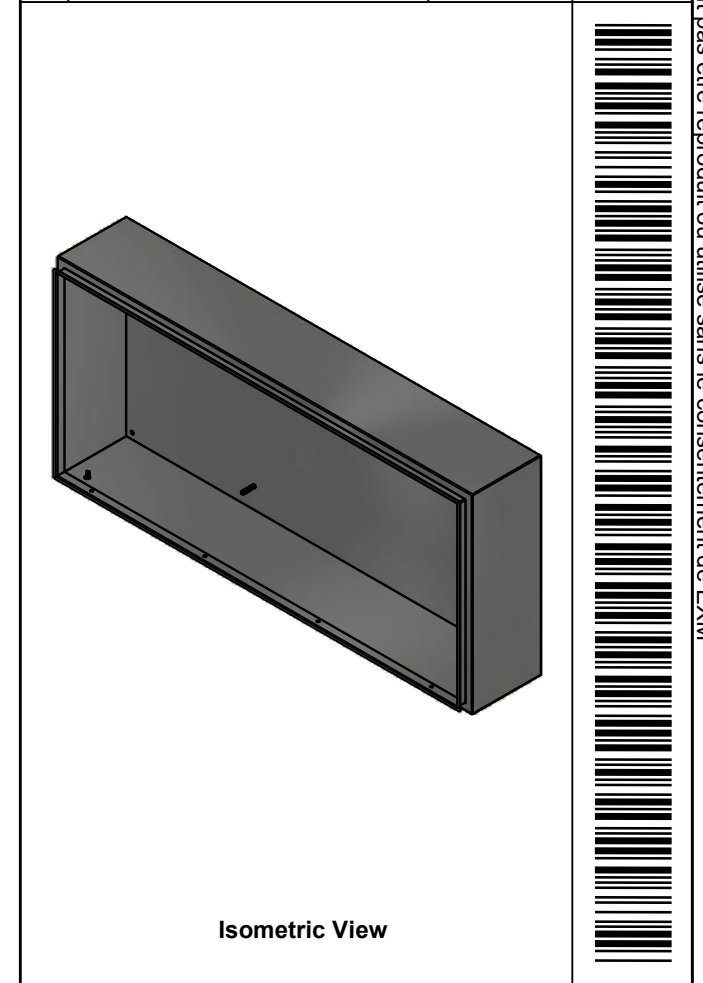


RIGHT


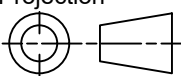


BOTTOM

No.	Revisions	Date	By/Par



Isometric View

 Tél: (450) 979-4373 Fax: (450) 979-4626 www.exmweb.com		Flatness Aplatissement Max 3.0mm Projection 
Customer Client	Date	
Drawn By Dessiné Par	BoxCad: BoxCad	Date 9/1/2022
Material Matière	14 Ga Stainless Steel 304 (1.7mm)	
Color Couleur	Unpainted	Finish Fini Brushed
Description	Detail Rev.	
1412BTSSCU 22" x 48" x 8" Body		
Part Number Numéro Pièce	Rev.	4
1412BTSSCU04404B	0	11

SEE BILL OF MATERIAL ON LAST PAGE

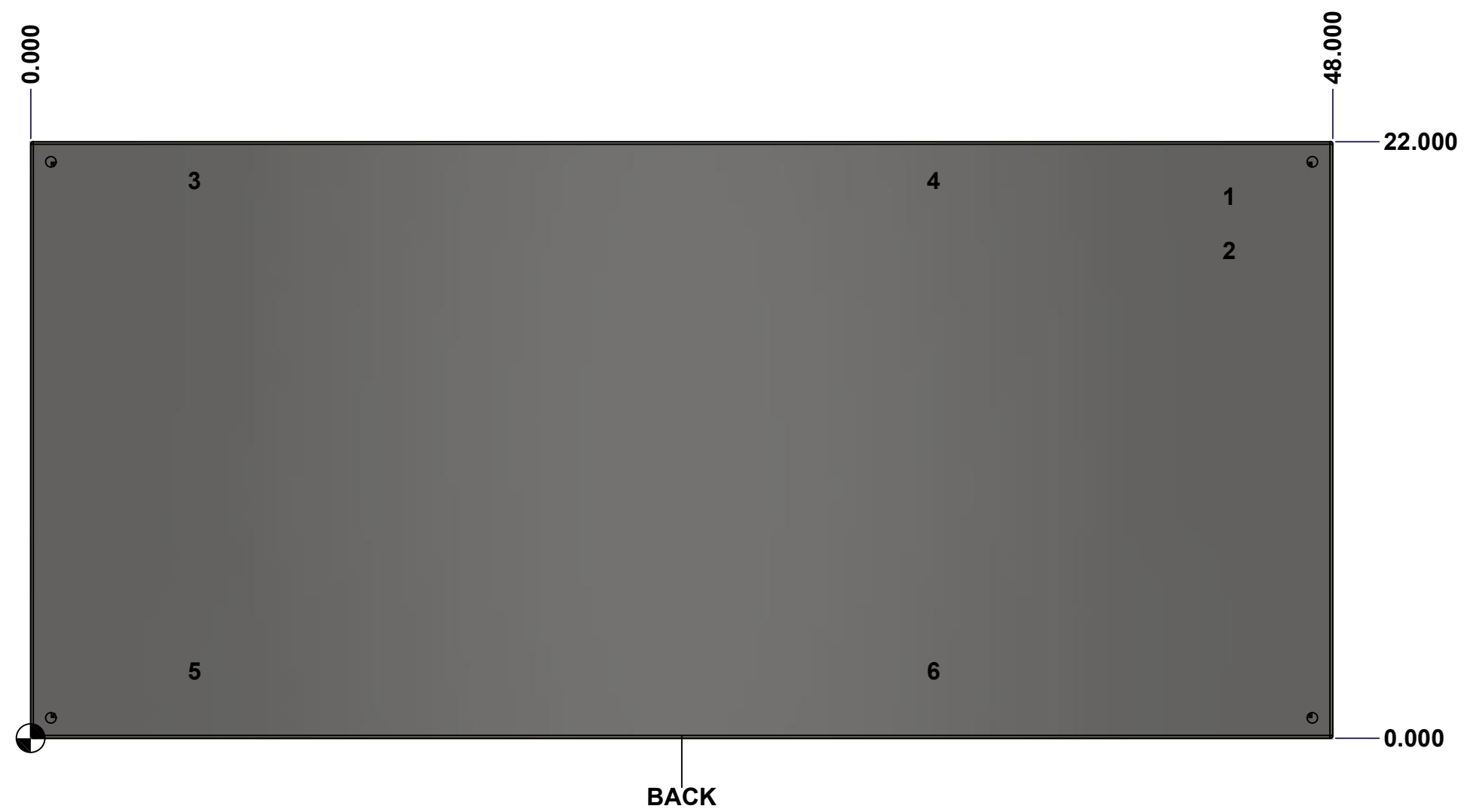
This drawing is confidential and must not be reproduced or used without the consent of Eurobox

Ce dessin est confidentiel et ne doit pas être reproduit ou utilisé sans le consentement de Eurobox

STANDARD FEATURES ARE NOT LISTED IN THIS HOLE TABLE

HOLE TABLE - BACK VIEW (CUSTOM FEATURE ONLY)

CUT-OUT	XDIM	YDIM	DESCRIPTION
1	44.000	20.000	GND STUD M8 x 35mm (Inside)
2	44.000	18.000	GND STUD M8 x 35mm (Inside)
3	5.875	20.563	IP STUD M8 x 35mm (Inside)
4	33.125	20.563	IP STUD M8 x 35mm (Inside)
5	5.875	2.475	IP STUD M8 x 35mm (Inside)
6	33.125	2.475	IP STUD M8 x 35mm (Inside)

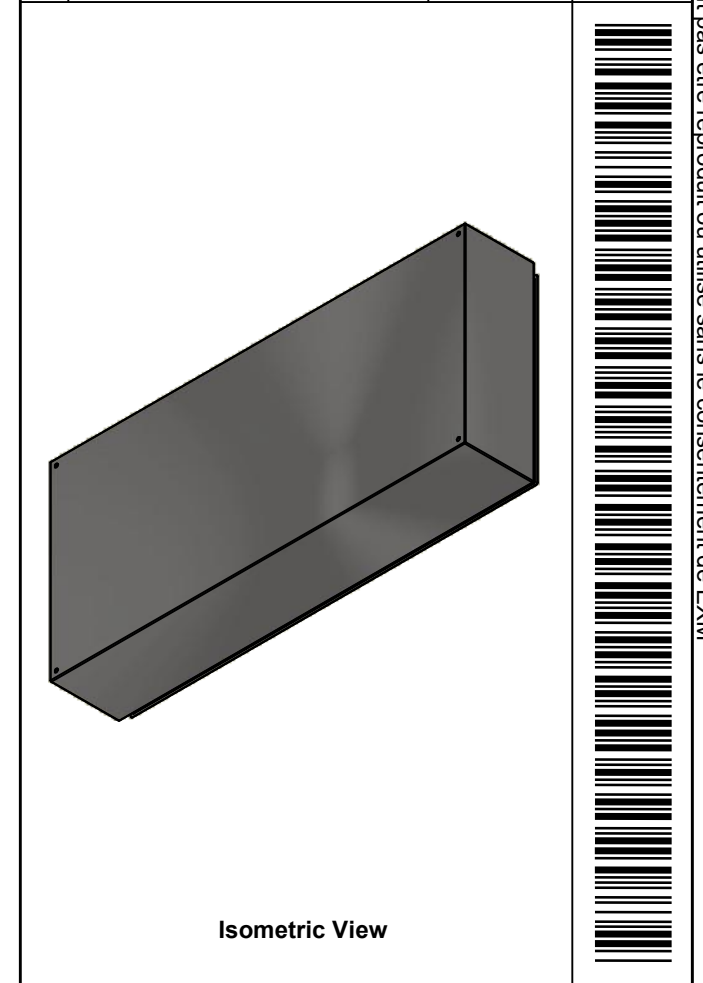


	Description	Status
	1412BTSSCU 22" x 48" x 8" Body	(NULL)
Part Number Numéro Pièce 1412BTSSCU04404B	Rev.	5
	0	11


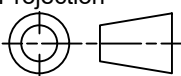
This drawing is confidential and must not be reproduced or used without the consent of EXM

Ce dessin est confidentiel et ne doit pas être reproduit ou utilisé sans le consentement de EXM

No.	Revisions	Date	By/Par



Isometric View

 Tél: (450) 979-4373 Fax: (450) 979-4626 www.exmweb.com		Flatness Aplatissement Max 3.0mm
Customer Client		Projection 
Drawn By / Dessiné Par: BoxCad: BoxCad		Date: 9/1/2022
Material / Matière: 14 Ga Stainless Steel 304 (1.7mm)		
Color / Couleur: Unpainted	Finish / Fini: Brushed	
Description: 1412BTSSCU 22" x 48" x 8" Body		Detail Rev.
Part Number / Numéro Pièce: 1412BTSSCU04404B		Rev. 6 0

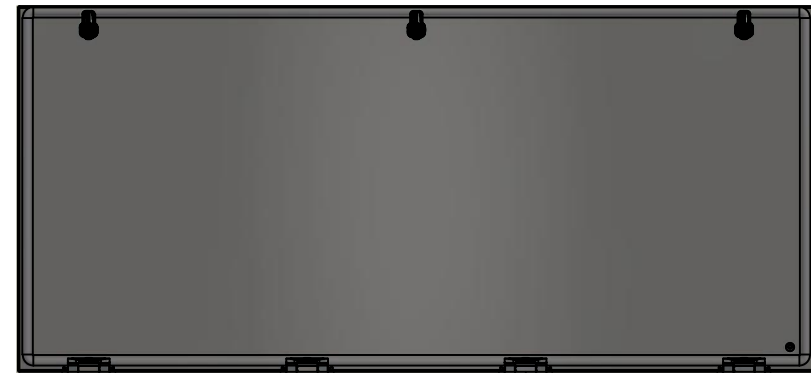
Qty	Part Number	Rev	Description
6	STK-Q-16020	1	Stud M8 x 35mm Stainless Steel
1	STK-Q-16095	0	M6 x 16mm Stainless Steel Ground Stud
1	STK-S-00100	0	3.5" x 2" Silver Milar Flexcon Sticker
1	1412BTSSCU04404B-P	0	1412BTSSCU 22" x 48" x 8" Body Part
Parts List			

This drawing is confidential and must not be reproduced or used without the consent of EXM

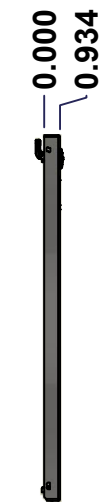
Ce dessin est confidentiel et ne doit pas être reproduit ou utilisé sans le consentement de EXM



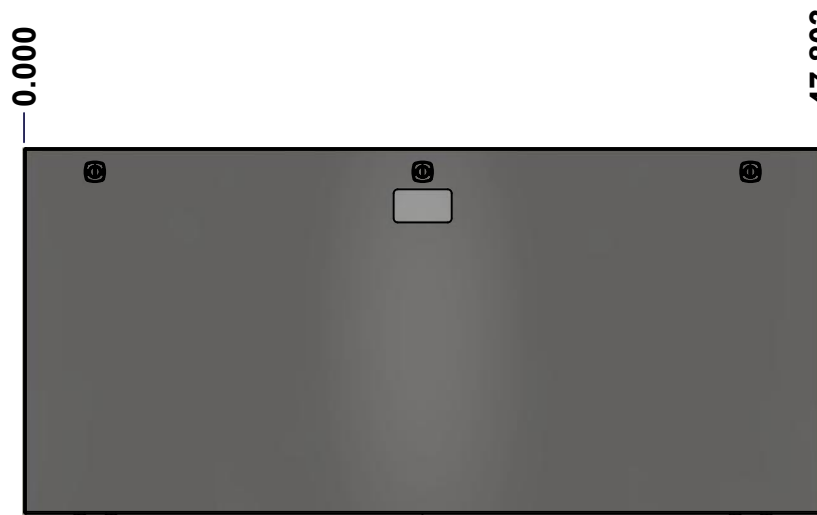
TOP



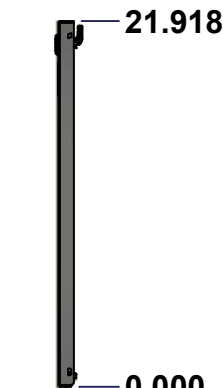
BACK



LEFT



FRONT

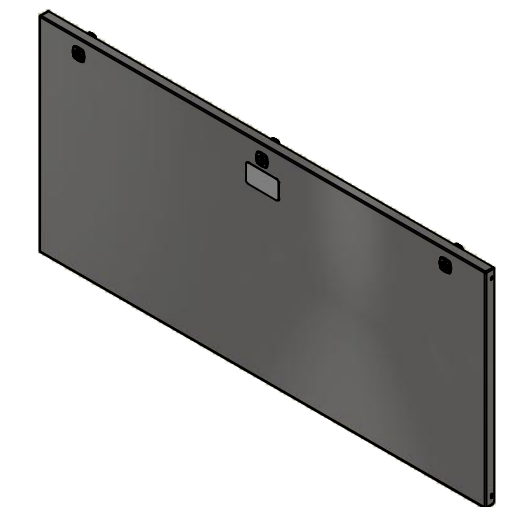


RIGHT




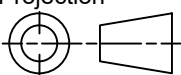
BOTTOM

No.	Revisions	Date	By/Par



Isometric View



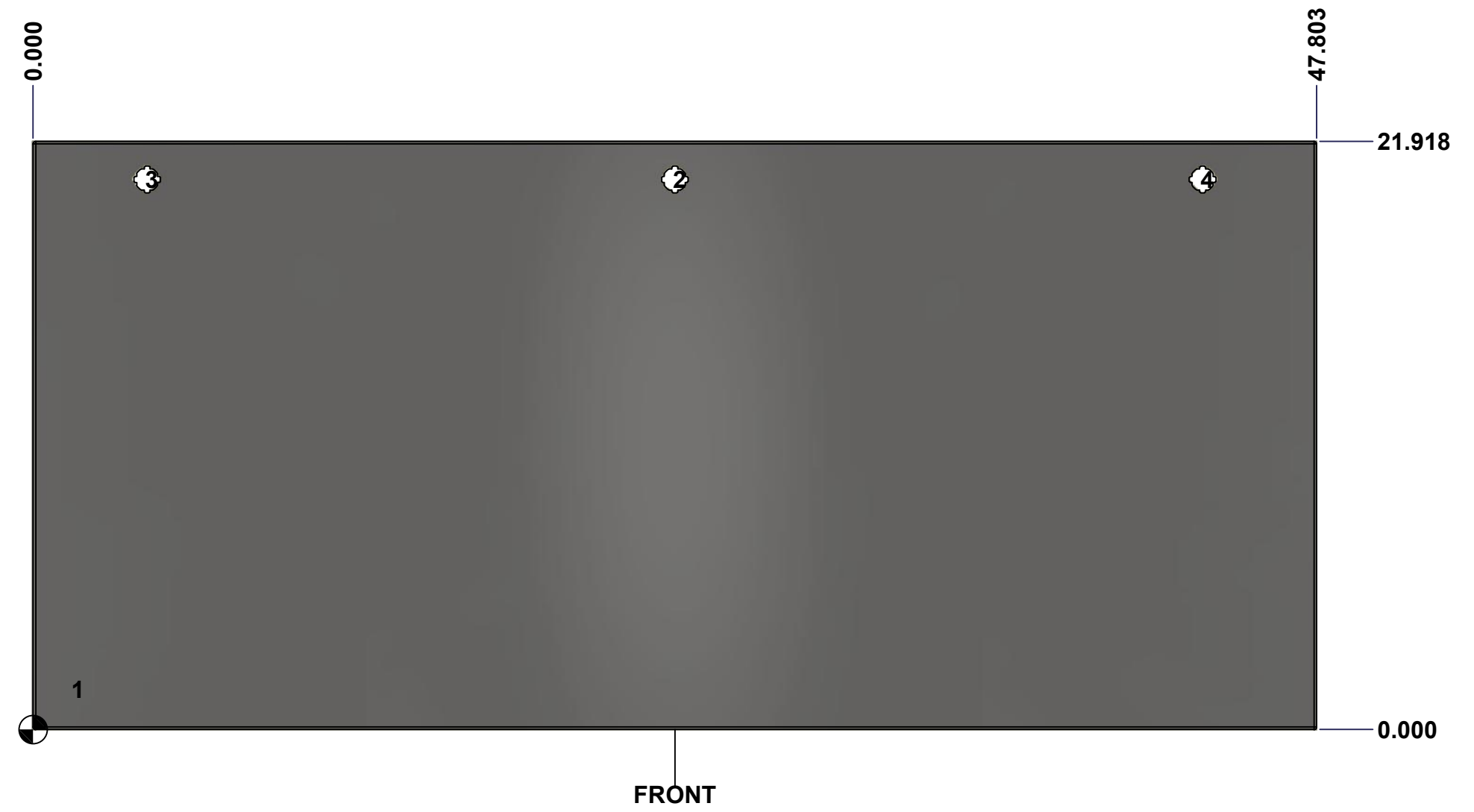
 Tél: (450) 979-4373 Fax: (450) 979-4626 www.exmweb.com		Flatness Aplatissement Max 3.0mm Projection 
Customer Client	Date	
Drawn By Dessiné Par	BoxCad: BoxCad	Date 9/1/2022
Material Matière	14 Ga Stainless Steel 304 (1.7mm)	
Color Couleur	Unpainted	Finish Fini Brushed
Description	Detail Rev.	
1412BTSSCU 22" x 48" Cover		
Part Number Numéro Pièce	Rev.	7
1412BTSSCU04404C	0	11

SEE BILL OF MATERIAL ON LAST PAGE

This drawing is confidential and must not be reproduced or used without the consent of Eurobox

Ce dessin est confidentiel et ne doit pas être reproduit ou utilisé sans le consentement de Eurobox

STANDARD FEATURES ARE NOT LISTED IN THIS HOLE TABLE			
HOLE TABLE - FRONT VIEW (CUSTOM FEATURE ONLY)			
CUT-OUT	XDIM	YDIM	DESCRIPTION
1	1.500	1.486	GND STUD M6 x 16mm (Inside)
2	23.902	20.494	LOCK 880 SCQ4-SLSS6 @ 90.0°
3	4.250	20.494	LOCK 880 SCQ4-SLSS6 @ 90.0°
4	43.553	20.494	LOCK 880 SCQ4-SLSS6 @ 90.0°

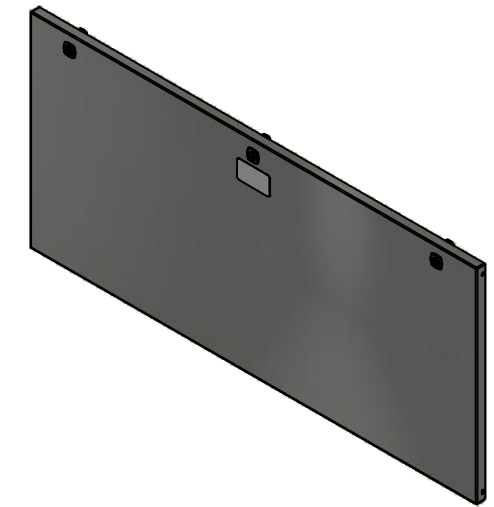


	Description	Status
	1412BTSSCU 22" x 48" Cover	(NULL)
	Part Number Numéro Pièce	Rev.
	1412BTSSCU04404C	0 / 8
		11

This drawing is confidential and must not be reproduced or used without the consent of EXM

Ce dessin est confidentiel et ne doit pas être reproduit ou utilisé sans le consentement de EXM

No.	Revisions	Date	By/Par



Isometric View

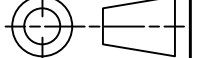


Tél: (450) 979-4373
 Fax: (450) 979-4626
www.exmweb.com

Flatness
Aplatissement

Max 3.0mm

Projection



Customer Client	Date
Drawn By / Dessiné Par: BoxCad: BoxCad	Date: 9/1/2022
Material / Matière: 14 Ga Stainless Steel 304 (1.7mm)	

Color / Couleur: Unpainted	Finish / Fini: Brushed
----------------------------	------------------------

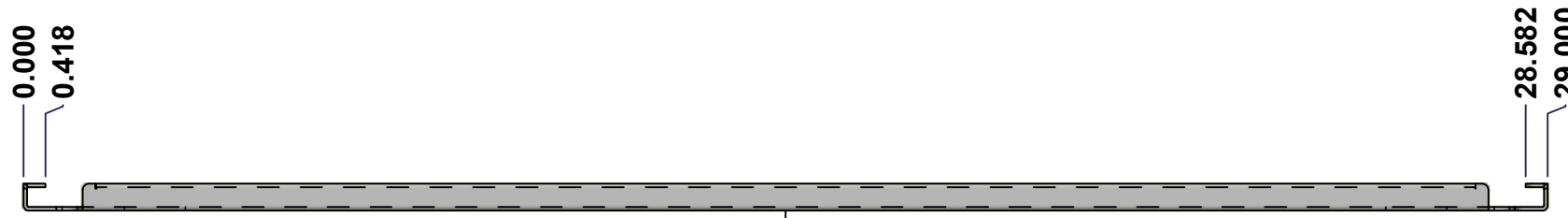
Description: 1412BTSSCU 22" x 48" Cover	Detail Rev.
---	-------------

Part Number / Numéro Pièce: 1412BTSSCU04404C	Rev. 0	9
---	--------	---

Qty	Part Name	Rev	Description
1	1412BTSSCU04404G	0	1412BTSSCU 22" x 48" Cover Gasket
4	STK-K-09850	6	5412 ESS Hinge with 2 Captive Hinge Pins
1	STK-Q-16095	0	M6 x 16mm Stainless Steel Ground Stud
1	STK-S-00100	0	3.5" x 2" Silver Milar Flexcon Sticker
1	1412BTSSCU04404C-P	0	1412BTSSCU 22" x 48" Cover Part
3	880 SCQ4-SLSS6	7	5412 ESS 1/4 Turn Lock
Parts List			

This drawing is confidential and must not be reproduced or used without the consent of EXM

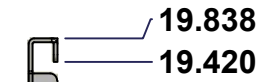
Ce dessin est confidentiel et ne doit pas être reproduit ou utilisé sans le consentement de EXM



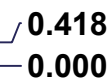
TOP



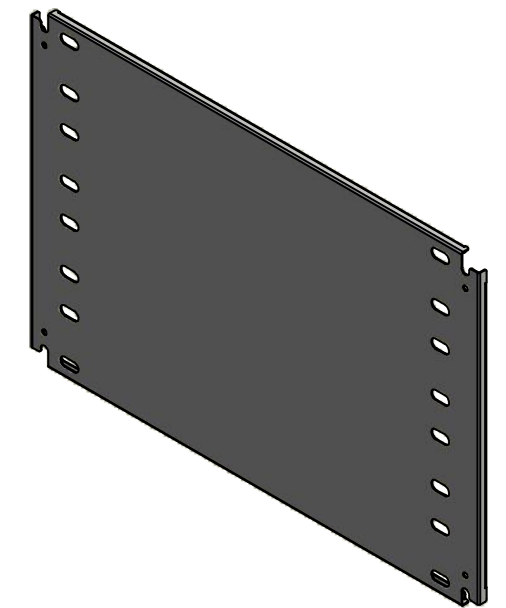
FRONT



RIGHT



No.	Revisions	Date	By/Par



Isometric View

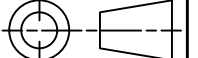


Tél: (450) 979-4373
 Fax: (450) 979-4626
www.exmweb.com

Flatness
Aplatissement

Max 3.0mm

Projection



Customer Client _____ Date _____

Drawn By Dessiné Par BoxCad: BoxCad Date 9/1/2022

Material Matière 14 Ga Cold Rolled A1008 CS Type B (1.7mm)

Color Couleur White RAL9003 Finish Fini Smooth

Description 1412BTSSCU 19.838" x 29" Inner Panel Detail Rev. _____

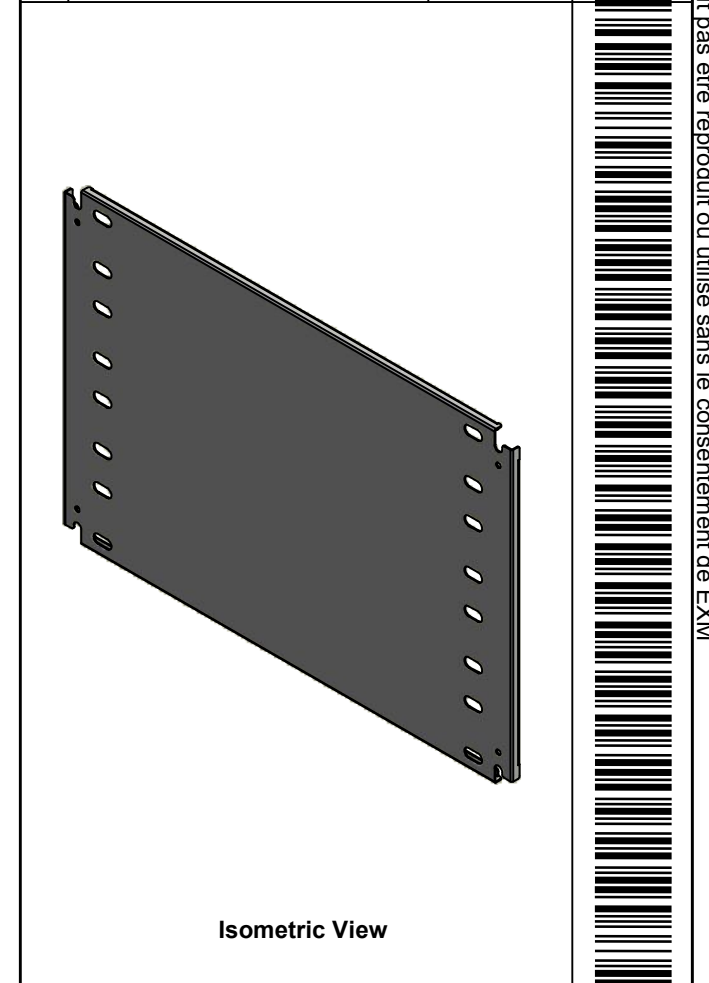
Part Number Numéro Pièce **1412BTSSCU04404IP1** Rev. **0** 10/11

SEE BILL OF MATERIAL ON LAST PAGE

This drawing is confidential and must not be reproduced or used without the consent of EXM


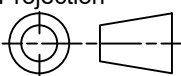
Ce dessin est confidentiel et ne doit pas être reproduit ou utilisé sans le consentement de EXM

No.	Revisions	Date	By/Par



Isometric View



 Tél: (450) 979-4373 Fax: (450) 979-4626 www.exmweb.com		Flatness Aplatissement Max 3.0mm
Customer Client		Projection 
Drawn By / Dessiné Par: BoxCad: BoxCad		Date: 9/1/2022
Material / Matière: 14 Ga Cold Rolled A1008 CS Type B (1.7mm)		
Color / Couleur: White RAL9003	Finish / Fini: Smooth	
Description: 1412BTSSCU 19.838" x 29" Inner Panel		Detail Rev.
Part Number / Numéro Pièce: 1412BTSSCU04404IP1		Rev. 0 / 11

Qty	Part Number	Rev	Description
1	STK-P-02401S	0	Powder Paint (White / Smooth)
1	1412BTSSCU04404IP1-P	0	1412BTSSCU 19.838" x 48" Inner Panel Part
Parts List			