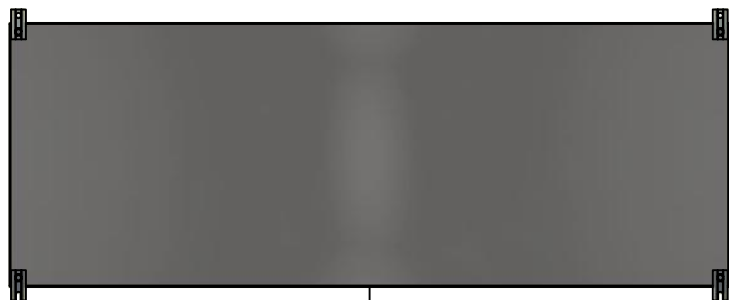


This drawing is confidential and must not be reproduced or used without the consent of EXM

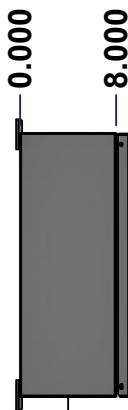
Ce dessin est confidentiel et ne doit pas être reproduit ou utilisé sans le consentement de EXM



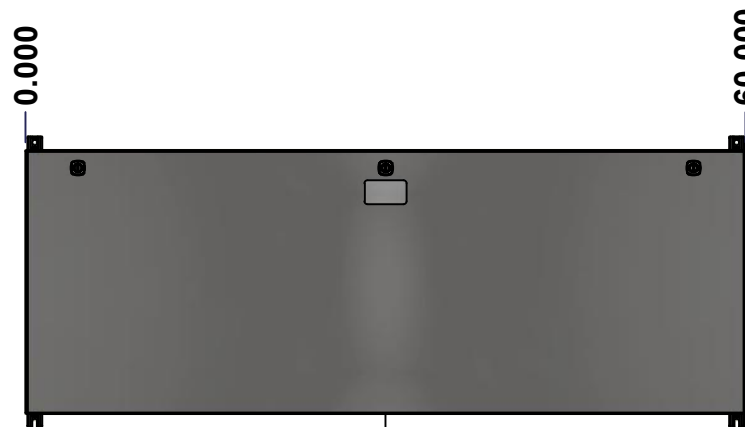
TOP



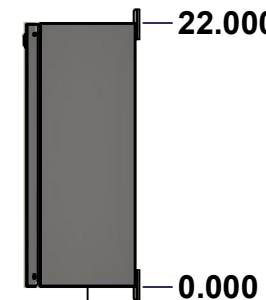
BACK



LEFT



FRONT

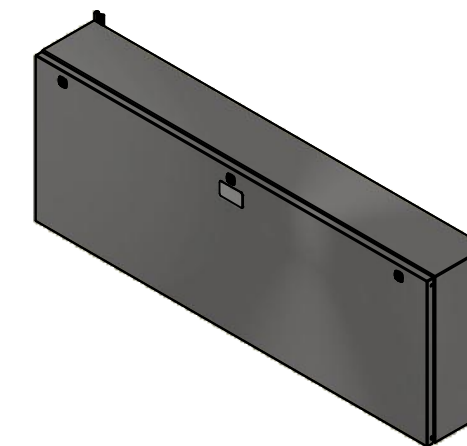


RIGHT



BOTTOM

No.	Revisions	Date	By/Par



Isometric View



Tél: (450) 979-4373
 Fax: (450) 979-4626
www.exmweb.com

Flatness
Aplatissement

Max 3.0mm

Projection



Customer Client _____ Date _____

Drawn By Dessiné Par BoxCad: BoxCad Date 11/2/2022

Material Matière 14 Ga Stainless Steel 304 (1.7mm)

Color Couleur Unpainted Finish Fini Brushed

Description 1412BTSSCU 400A - 4Wires x 60" Assembly
 Detail Rev.

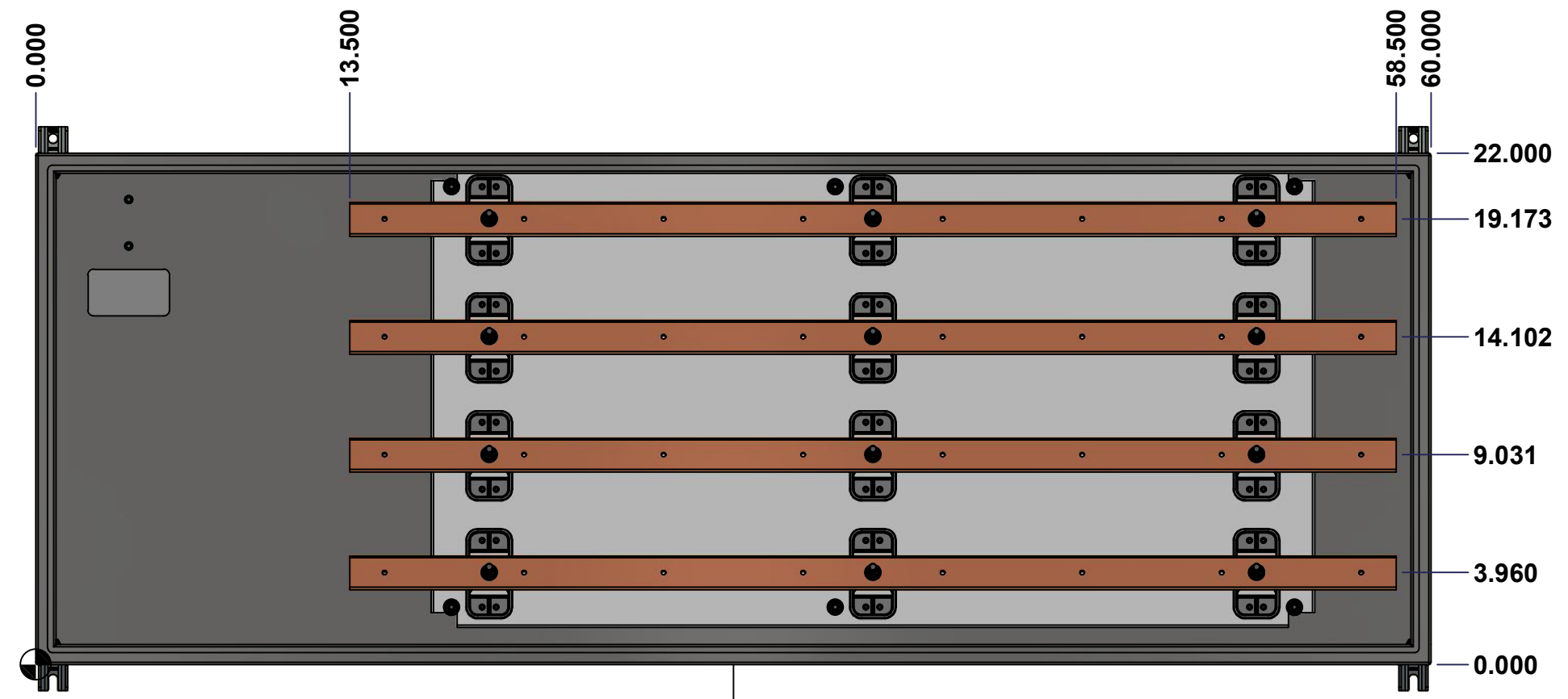
Part Number Numéro Pièce 1412BTSSCU05404DT
 Rev. 0

SEE BILL OF MATERIAL ON LAST PAGE

This drawing is confidential and must not be reproduced or used without the consent of Eurobox

STANDARD FEATURES ARE NOT LISTED IN THIS HOLE TABLE

Ce dessin est confidentiel et ne doit pas être reproduit ou utilisé sans le consentement de Eurobox



FRONT

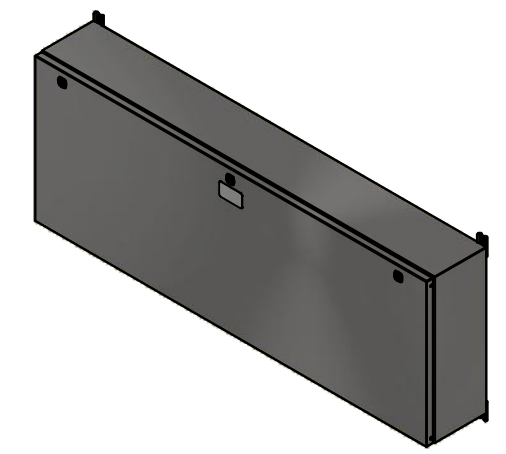
	Description 1412BTSSCU 400A - 4Wires x 60" Assembly		Status (NULL)
	Part Number Numéro Pièce 1412BTSSCU05404DT		Rev. 2 0

This drawing is confidential and must not be reproduced or used without the consent of EXM

Ce dessin est confidentiel et ne doit pas être reproduit ou utilisé sans le consentement de EXM

NOTE	
ITEM	DESCRIPTION
1	NEMA 4X Enclosure
2	C/W Standard ground studs on box and cover
3	W/O Standard door stiffener
4	C/W Special inner panel (Sold separately)
5	C/W Standard inner panel mounting studs

No.	Revisions	Date	By/Par



Isometric View

4	STK-Q-04051-07	8	M6 x 7mm Stainless Steel Hexagon Socket Head Machine Screw with Nyseal
1	885 ESMF2	0	885 ESMF2 Stainless Steel Mounting Feet Kit
1	1412BTSSCU05404DTBA R4-P	0	Rounded Edge Copper Bar 3/16" x 1 1/2"
1	1412BTSSCU05404DTBA R1-P	0	Rounded Edge Copper Bar 3/16" x 1 1/2"
1	1412BTSSCU05404DTBA R2-P	0	Rounded Edge Copper Bar 3/16" x 1 1/2"
1	1412BTSSCU05404DTBA R3-P	0	Rounded Edge Copper Bar 3/16" x 1 1/2"
1	1412BTSSCU05404DTIP1	0	1412BTSSCU 19.838" x 38" Inner Panel
12	STK-A-67400	0	Buss Bar Insulator Kit
1	STK-K-01800	5	5412 ES Accessory Kit
18	STK-Q-07310	2	Flange Lock Nut M8
6	STK-Q-07610	8	M8 Plastic Spacer 22.2mm
1	1412BTSSCU05404DTB	0	1412BTSSCU 22" x 60" x 8" Body
1	1412BTSSCU05404DTC	0	1412BTSSCU 22" x 60" Cover

PACKING		
ITEM	QTY	DESCRIPTION
Cardboard sleeve	2	Top and Bottom
Cardboard strip	2	Between back of enclosure and inner panel
Plastic bag	1	To protect cover surface and inside gasket
Cardboard corner	4	To reinforced for the plastic strap tightening
Plastic strap - Black	2	To Squeeze 2 cardboard sleeve together
Packaging label	3	White label with PN
Plastic strap- Green	2	To secure the enclosure to the wood pallet
Wood Pallet	1	2" deeper and 3" larger than enclosure size

Tél: (450) 979-4373
Fax: (450) 979-4626
www.exmweb.com

Flatness
Aplatissement
Max 3.0mm

Projection

Customer Client	Date
Drawn By Dessiné Par	Date 11/2/2022
Material Matière	BoxCad: BoxCad 14 Ga Stainless Steel 304 (1.7mm)
Color Couleur	Unpainted Finish Fini Brushed
Description 1412BTSSCU 400A - 4Wires x 60" Assembly	Detail Rev.
Part Number Numéro Pièce	Rev. 3
1412BTSSCU05404DT	0

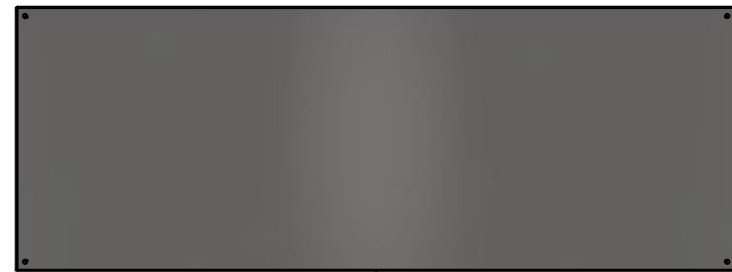
Qty	Part Number	Rev	Description
Parts List			

This drawing is confidential and must not be reproduced or used without the consent of EXM

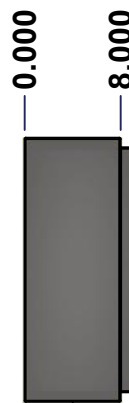
Ce dessin est confidentiel et ne doit pas être reproduit ou utilisé sans le consentement de EXM



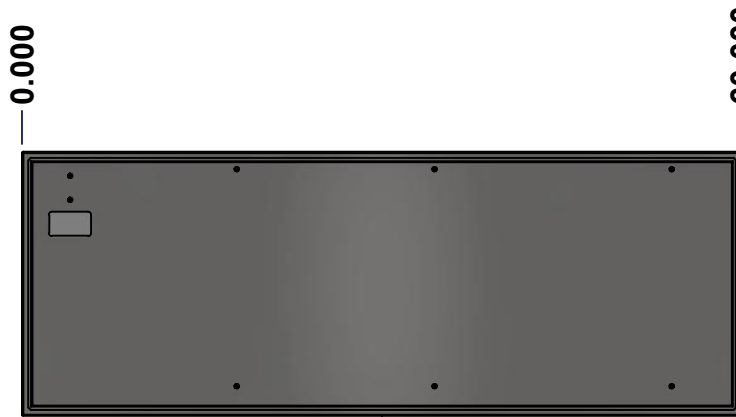
TOP



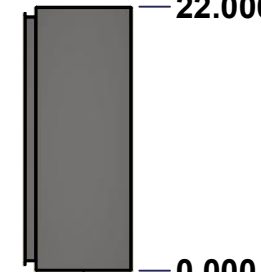
BACK



LEFT



FRONT

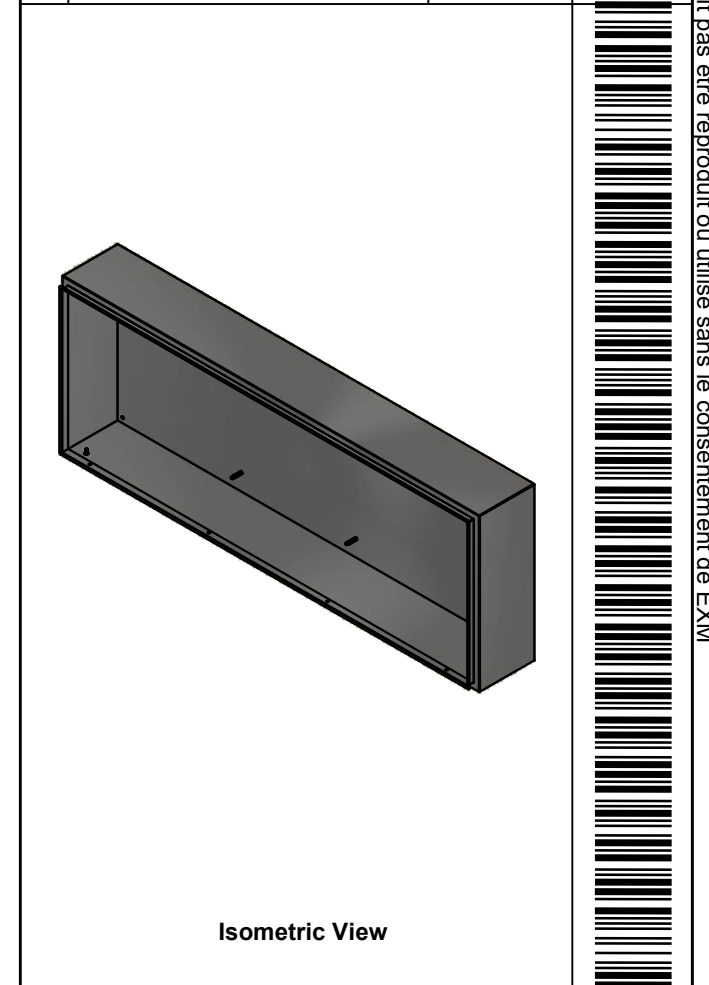


RIGHT




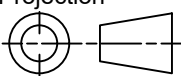
BOTTOM

No.	Revisions	Date	By/Par



Isometric View



 Tél: (450) 979-4373 Fax: (450) 979-4626 www.exmweb.com		Flatness Aplatissement Max 3.0mm Projection 
Customer Client	Date	
Drawn By Dessiné Par	BoxCad: BoxCad	Date 11/2/2022
Material Matière	14 Ga Stainless Steel 304 (1.7mm)	
Color Couleur	Unpainted	Finish Fini Brushed
Description 1412BTSSCU 22" x 60" x 8" Body		Detail Rev.
Part Number Numéro Pièce	1412BTSSCU05404DTB	Rev. 4
SEE BILL OF MATERIAL ON LAST PAGE		0

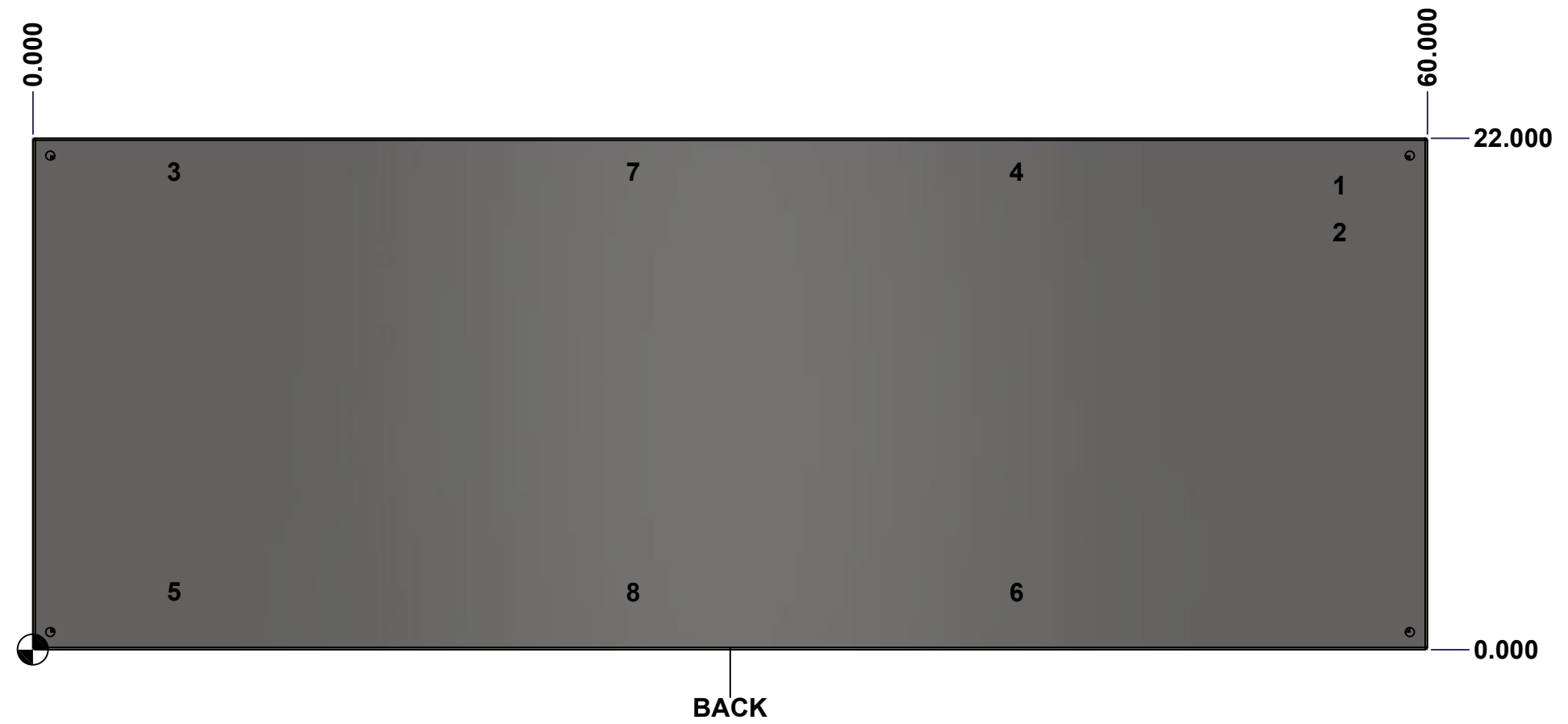
This drawing is confidential and must not be reproduced or used without the consent of Eurobox

Ce dessin est confidentiel et ne doit pas être reproduit ou utilisé sans le consentement de Eurobox

STANDARD FEATURES ARE NOT LISTED IN THIS HOLE TABLE

HOLE TABLE - BACK VIEW (CUSTOM FEATURE ONLY)

CUT-OUT	XDIM	YDIM	DESCRIPTION
1	56.000	20.000	GND STUD M8 x 35mm (Inside)
2	56.000	18.000	GND STUD M8 x 35mm (Inside)
3	5.875	20.563	IP STUD M8 x 35mm (Inside)
4	42.125	20.563	IP STUD M8 x 35mm (Inside)
5	5.875	2.475	IP STUD M8 x 35mm (Inside)
6	42.125	2.475	IP STUD M8 x 35mm (Inside)
7	25.625	20.563	IP STUD M8 x 35mm (Inside)
8	25.625	2.475	IP STUD M8 x 35mm (Inside)

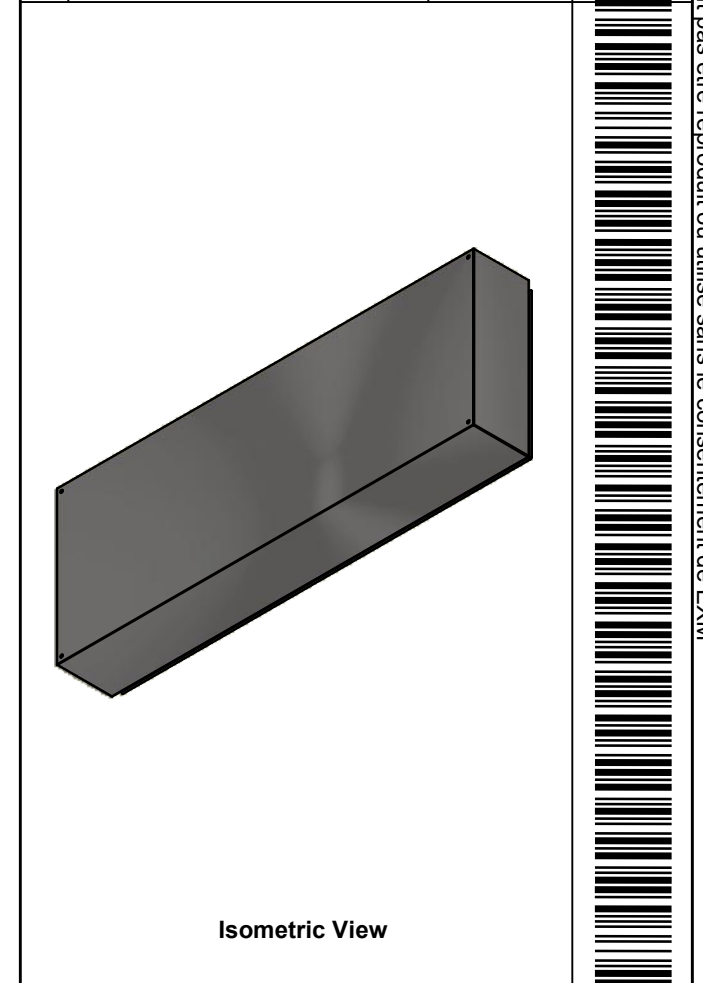



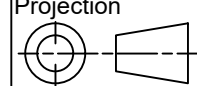
	Description		Status
	1412BTSSCU 22" x 60" x 8" Body		(NULL)
Part Number Numéro Pièce		Rev.	5
1412BTSSCU05404DTB		0	15

This drawing is confidential and must not be reproduced or used without the consent of EXM

Ce dessin est confidentiel et ne doit pas être reproduit ou utilisé sans le consentement de EXM

No.	Revisions	Date	By/Par



 Tél: (450) 979-4373 Fax: (450) 979-4626 www.exmweb.com	Flatness Aplatissement Max 3.0mm
	Projection 
Customer Client	Date
Drawn By Dessiné Par BoxCad: BoxCad	Date 11/2/2022
Material Matière 14 Ga Stainless Steel 304 (1.7mm)	
Color Couleur Unpainted	Finish Fini Brushed
Description 1412BTSSCU 22" x 60" x 8" Body	
Part Number Numéro Pièce 1412BTSSCU05404DTB	Rev. 0

Qty	Part Number	Rev	Description
8	STK-Q-16020	1	Stud M8 x 35mm Stainless Steel
1	STK-Q-16095	0	M6 x 16mm Stainless Steel Ground Stud
1	STK-S-00100	0	3.5" x 2" Silver Milar Flexcon Sticker
1	1412BTSSCU05404DTB-P	0	1412BTSSCU 22" x 60" x 8" Body Part
Parts List			

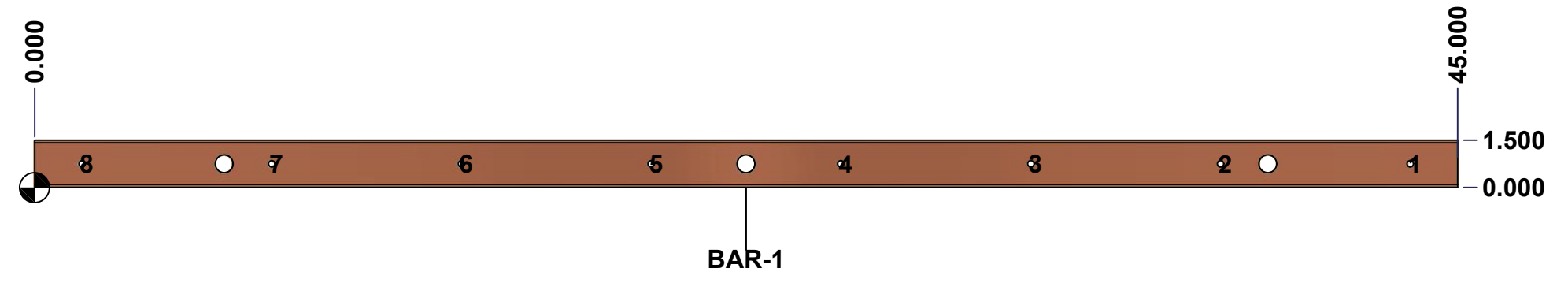
This drawing is confidential and must not be reproduced or used without the consent of Eurobox

Ce dessin est confidentiel et ne doit pas être reproduit ou utilisé sans le consentement de Eurobox

STANDARD FEATURES ARE NOT LISTED IN THIS HOLE TABLE

HOLE TABLE - FRONT VIEW (CUSTOM FEATURE ONLY)

CUT-OUT	XDIM	YDIM	DESCRIPTION
1	43.500	0.750	RND Ø0.201 THREAD 1/4-20 UNC
2	37.500	0.750	RND Ø0.201 THREAD 1/4-20 UNC
3	31.500	0.750	RND Ø0.201 THREAD 1/4-20 UNC
4	25.500	0.750	RND Ø0.201 THREAD 1/4-20 UNC
5	19.500	0.750	RND Ø0.201 THREAD 1/4-20 UNC
6	13.500	0.750	RND Ø0.201 THREAD 1/4-20 UNC
7	7.500	0.750	RND Ø0.201 THREAD 1/4-20 UNC
8	1.500	0.750	RND Ø0.201 THREAD 1/4-20 UNC

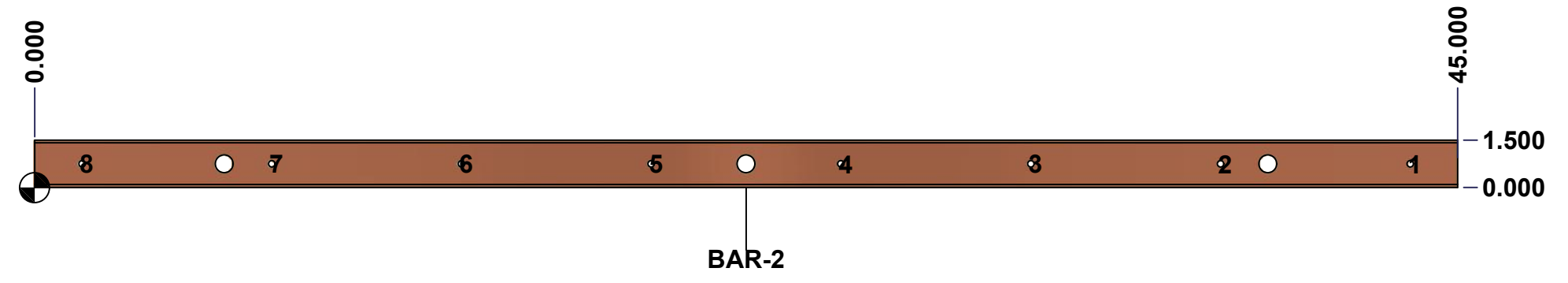


	Description	Status	
	Rounded Edge Copper Bar 3/16" x 1 1/2"	(NULL)	
	Part Number Numéro Pièce	Rev.	7
	1412BTSSCU05404DTBAR1-P 0		15

This drawing is confidential and must not be reproduced or used without the consent of Eurobox

Ce dessin est confidentiel et ne doit pas être reproduit ou utilisé sans le consentement de Eurobox

STANDARD FEATURES ARE NOT LISTED IN THIS HOLE TABLE			
HOLE TABLE - FRONT VIEW (CUSTOM FEATURE ONLY)			
CUT-OUT	XDIM	YDIM	DESCRIPTION
1	43.500	0.750	RND Ø0.201 THREAD 1/4-20 UNC
2	37.500	0.750	RND Ø0.201 THREAD 1/4-20 UNC
3	31.500	0.750	RND Ø0.201 THREAD 1/4-20 UNC
4	25.500	0.750	RND Ø0.201 THREAD 1/4-20 UNC
5	19.500	0.750	RND Ø0.201 THREAD 1/4-20 UNC
6	13.500	0.750	RND Ø0.201 THREAD 1/4-20 UNC
7	7.500	0.750	RND Ø0.201 THREAD 1/4-20 UNC
8	1.500	0.750	RND Ø0.201 THREAD 1/4-20 UNC

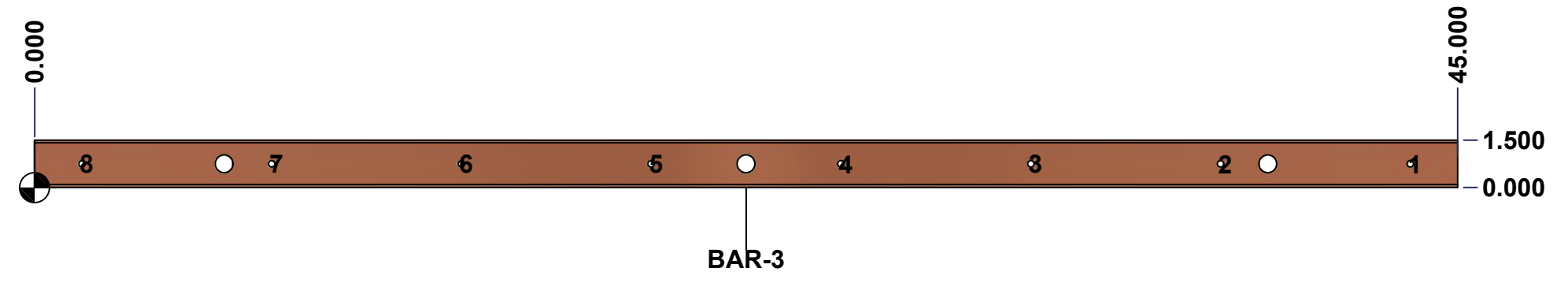


	Description	Status
	Rounded Edge Copper Bar 3/16" x 1 1/2"	(NULL)
	Part Number Numéro Pièce	Rev.
	1412BTSSCU05404DTBAR2-P 0	8
		15

This drawing is confidential and must not be reproduced or used without the consent of Eurobox

Ce dessin est confidentiel et ne doit pas être reproduit ou utilisé sans le consentement de Eurobox

STANDARD FEATURES ARE NOT LISTED IN THIS HOLE TABLE			
HOLE TABLE - FRONT VIEW (CUSTOM FEATURE ONLY)			
CUT-OUT	XDIM	YDIM	DESCRIPTION
1	43.500	0.750	RND Ø0.201 THREAD 1/4-20 UNC
2	37.500	0.750	RND Ø0.201 THREAD 1/4-20 UNC
3	31.500	0.750	RND Ø0.201 THREAD 1/4-20 UNC
4	25.500	0.750	RND Ø0.201 THREAD 1/4-20 UNC
5	19.500	0.750	RND Ø0.201 THREAD 1/4-20 UNC
6	13.500	0.750	RND Ø0.201 THREAD 1/4-20 UNC
7	7.500	0.750	RND Ø0.201 THREAD 1/4-20 UNC
8	1.500	0.750	RND Ø0.201 THREAD 1/4-20 UNC



	Description	Status
	Rounded Edge Copper Bar 3/16" x 1 1/2"	(NULL)
	Part Number Numéro Pièce	Rev.
	1412BTSSCU05404DTBAR3-P 0	9
		15

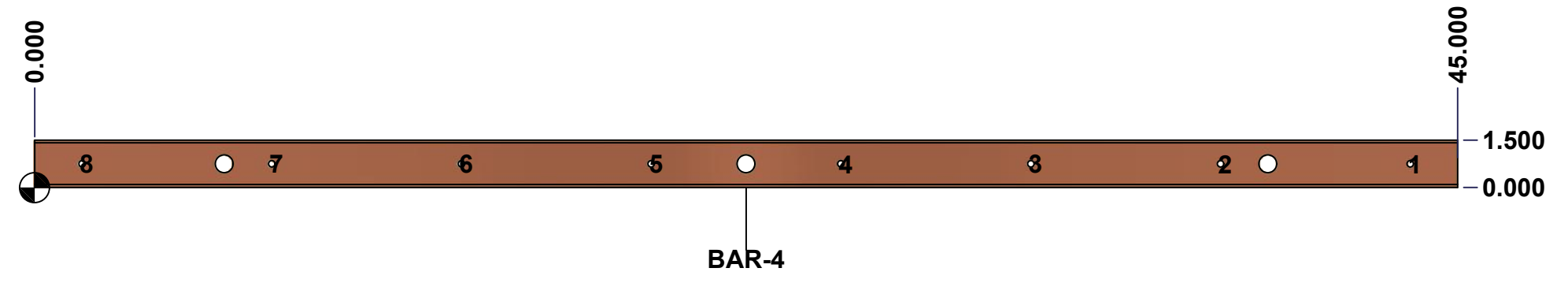
This drawing is confidential and must not be reproduced or used without the consent of Eurobox

Ce dessin est confidentiel et ne doit pas être reproduit ou utilisé sans le consentement de Eurobox

STANDARD FEATURES ARE NOT LISTED IN THIS HOLE TABLE

HOLE TABLE - FRONT VIEW (CUSTOM FEATURE ONLY)

CUT-OUT	XDIM	YDIM	DESCRIPTION
1	43.500	0.750	RND Ø0.201 THREAD 1/4-20 UNC
2	37.500	0.750	RND Ø0.201 THREAD 1/4-20 UNC
3	31.500	0.750	RND Ø0.201 THREAD 1/4-20 UNC
4	25.500	0.750	RND Ø0.201 THREAD 1/4-20 UNC
5	19.500	0.750	RND Ø0.201 THREAD 1/4-20 UNC
6	13.500	0.750	RND Ø0.201 THREAD 1/4-20 UNC
7	7.500	0.750	RND Ø0.201 THREAD 1/4-20 UNC
8	1.500	0.750	RND Ø0.201 THREAD 1/4-20 UNC



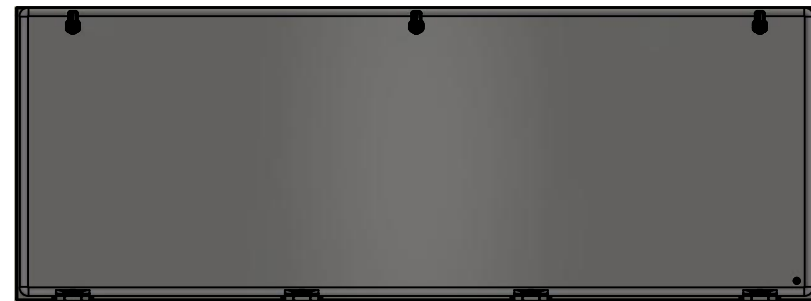
	Description	Status	
	Rounded Edge Copper Bar 3/16" x 1 1/2"	(NULL)	
	Part Number Numéro Pièce	Rev.	10
	1412BTSSCU05404DTBAR4-P 0		15

This drawing is confidential and must not be reproduced or used without the consent of EXM

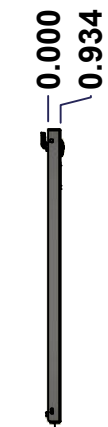
Ce dessin est confidentiel et ne doit pas être reproduit ou utilisé sans le consentement de EXM



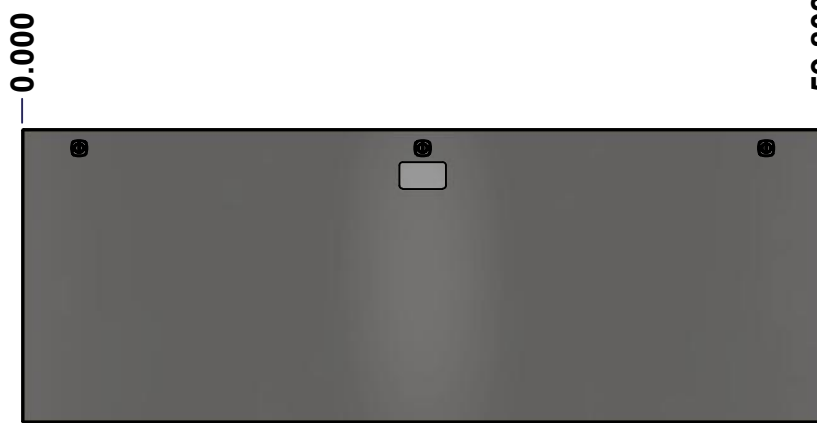
TOP



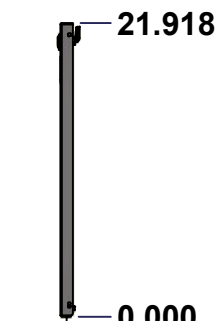
BACK



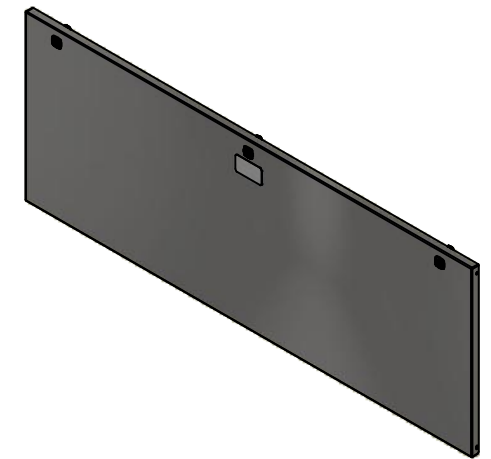
LEFT



FRONT



RIGHT


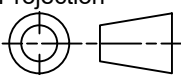


Isometric View



BOTTOM

No.	Revisions	Date	By/Par

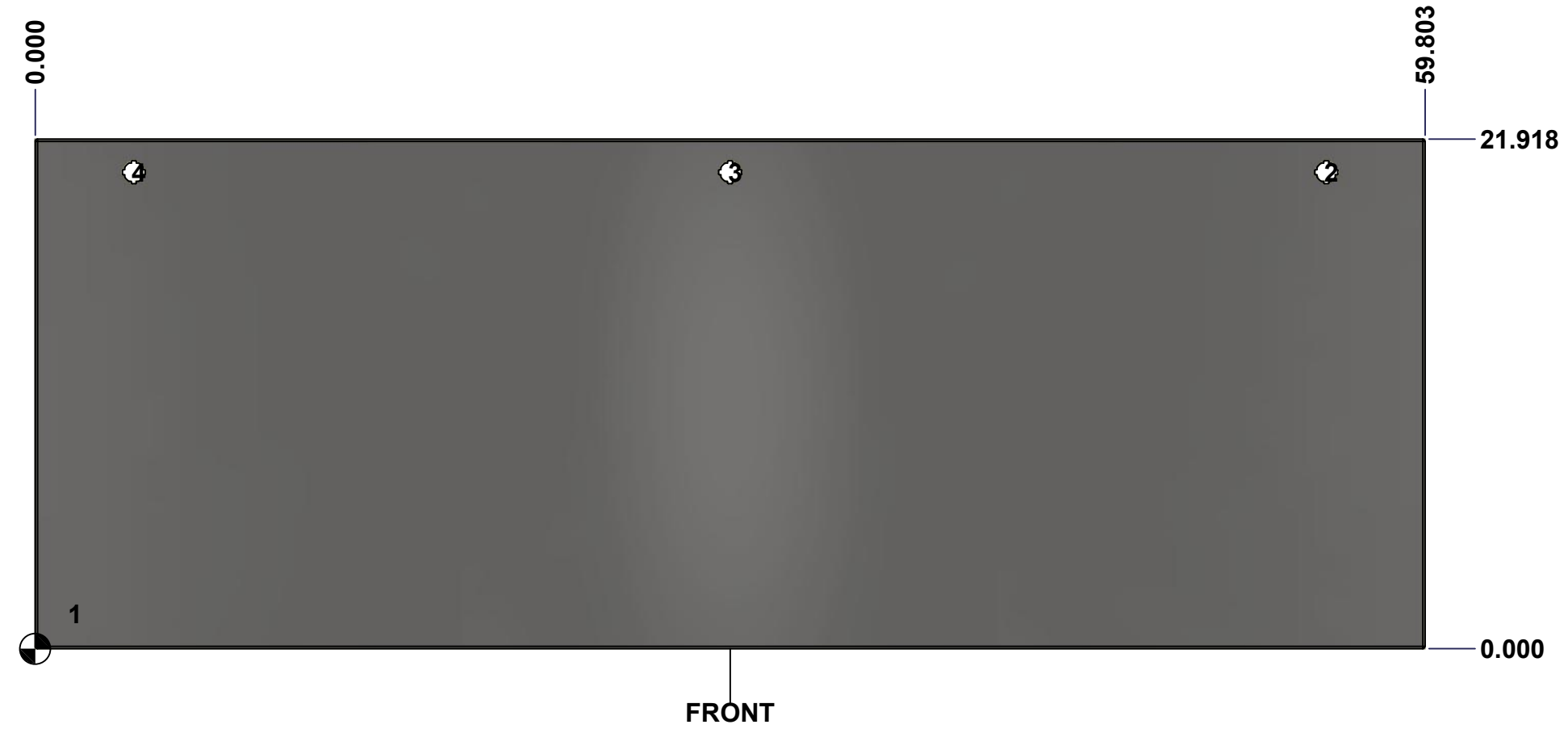
 Tél: (450) 979-4373 Fax: (450) 979-4626 www.exmweb.com		Flatness Aplatissement Max 3.0mm Projection 
Customer Client	Date	
Drawn By Dessiné Par	BoxCad: BoxCad	Date 11/2/2022
Material Matière	14 Ga Stainless Steel 304 (1.7mm)	
Color Couleur	Unpainted	Finish Fini Brushed
Description 1412BTSSCU 22" x 60" Cover		Detail Rev.
Part Number Numéro Pièce	1412BTSSCU05404DTC	Rev. 11 0 15

SEE BILL OF MATERIAL ON LAST PAGE

This drawing is confidential and must not be reproduced or used without the consent of Eurobox

Ce dessin est confidentiel et ne doit pas être reproduit ou utilisé sans le consentement de Eurobox

STANDARD FEATURES ARE NOT LISTED IN THIS HOLE TABLE			
HOLE TABLE - FRONT VIEW (CUSTOM FEATURE ONLY)			
CUT-OUT	XDIM	YDIM	DESCRIPTION
1	1.500	1.486	GND STUD M6 x 16mm (Inside)
2	55.553	20.494	LOCK 880 SCQ4-SLSS6 @ 90.0°
3	29.902	20.494	LOCK 880 SCQ4-SLSS6 @ 90.0°
4	4.250	20.494	LOCK 880 SCQ4-SLSS6 @ 90.0°

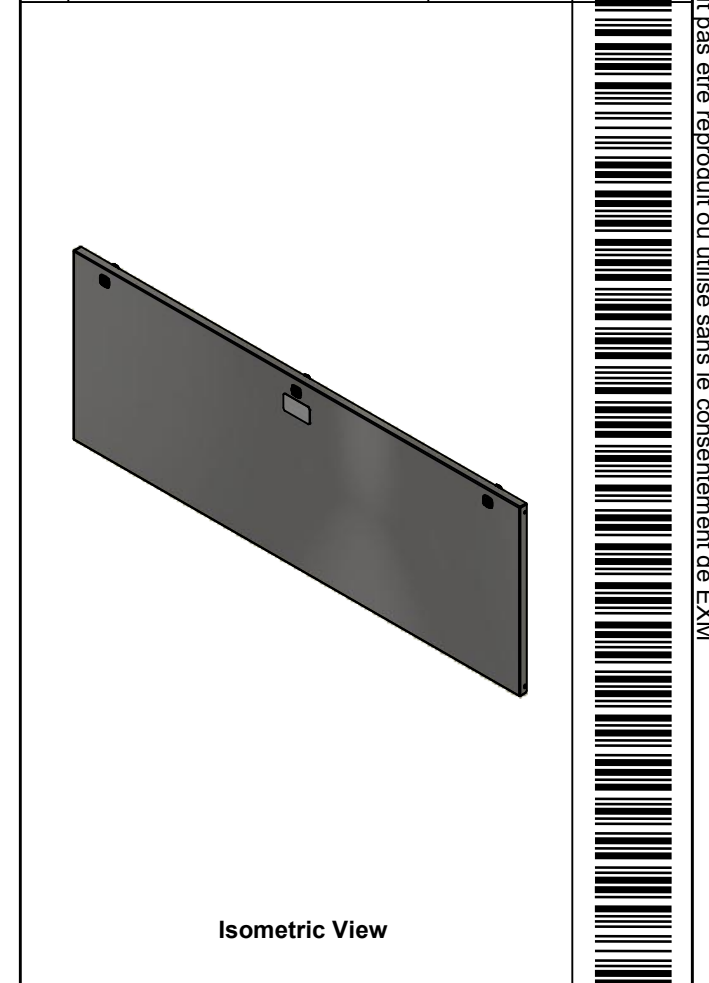



	Description	Status	
	1412BTSSCU 22" x 60" Cover	(NULL)	
	Part Number Numéro Pièce	Rev.	12
	1412BTSSCU05404DTC	0	15

This drawing is confidential and must not be reproduced or used without the consent of EXM

Ce dessin est confidentiel et ne doit pas être reproduit ou utilisé sans le consentement de EXM

No.	Revisions	Date	By/Par

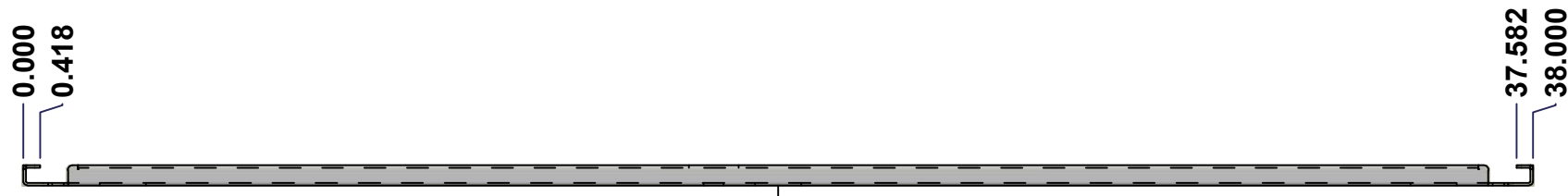


 Tél: (450) 979-4373 Fax: (450) 979-4626 www.exmweb.com		Flatness Aplatissement Max 3.0mm
Customer Client		Date
Drawn By Dessiné Par BoxCad: BoxCad		Date 11/2/2022
Material Matière 14 Ga Stainless Steel 304 (1.7mm)		
Color Couleur Unpainted	Finish Fini Brushed	
Description 1412BTSSCU 22" x 60" Cover		Detail Rev.
Part Number Numéro Pièce 1412BTSSCU05404DTC		Rev. 13 0 15

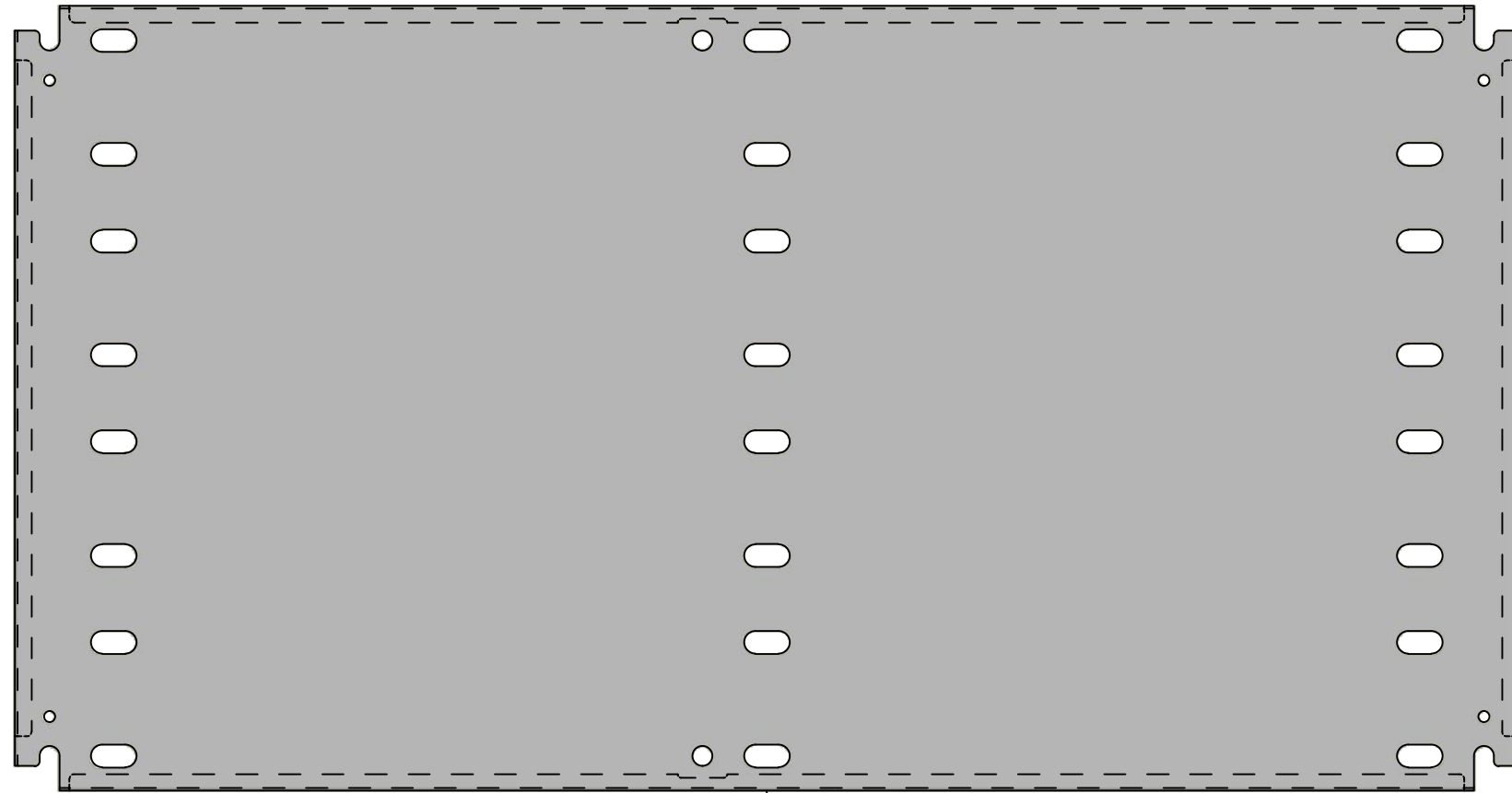
Qty	Part Name	Rev	Description
1	1412BTSSCU05404DTG	0	1412BTSSCU 22" x 60" Cover Gasket
4	STK-K-09850	6	5412 ESS Hinge with 2 Captive Hinge Pins
1	STK-Q-16095	0	M6 x 16mm Stainless Steel Ground Stud
1	STK-S-00100	0	3.5" x 2" Silver Milar Flexcon Sticker
1	1412BTSSCU05404DTC-P	0	1412BTSSCU 22" x 60" Cover Part
3	880 SCQ4-SLSS6	7	5412 ESS 1/4 Turn Lock
Parts List			

This drawing is confidential and must not be reproduced or used without the consent of EXM

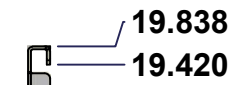
Ce dessin est confidentiel et ne doit pas être reproduit ou utilisé sans le consentement de EXM



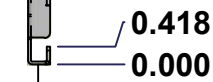
TOP



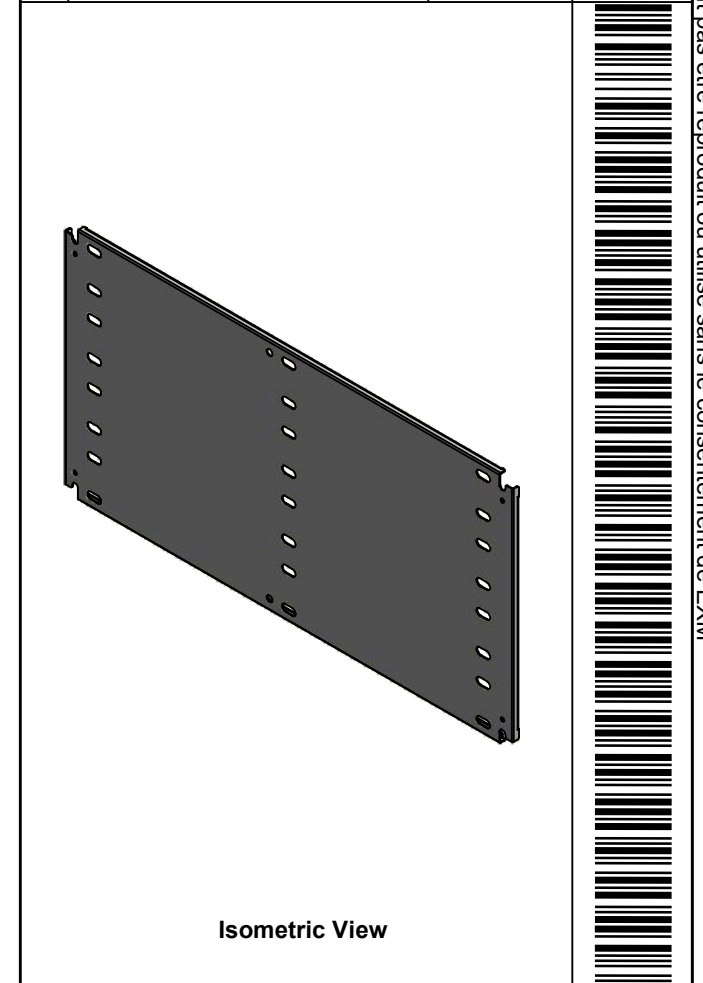
FRONT



RIGHT



No.	Revisions	Date	By/Par



Tél: (450) 979-4373 Fax: (450) 979-4626 www.exmweb.com		Flatness Aplatissement Max 3.0mm Projection
Customer Client	Date	
Drawn By Dessiné Par	BoxCad: BoxCad	Date 11/2/2022
Material Matière	14 Ga Cold Rolled A1008 CS Type B (1.7mm)	
Color Couleur	White RAL9003	Finish Fini Smooth
Description 1412BTSSCU 19.838" x 38" Inner Panel		Detail Rev.
Part Number Numéro Pièce	Rev. 0	14 15

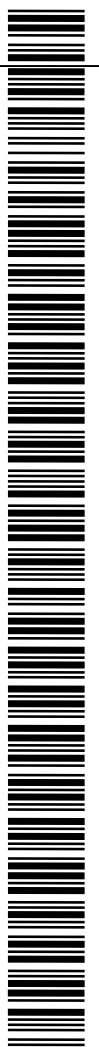
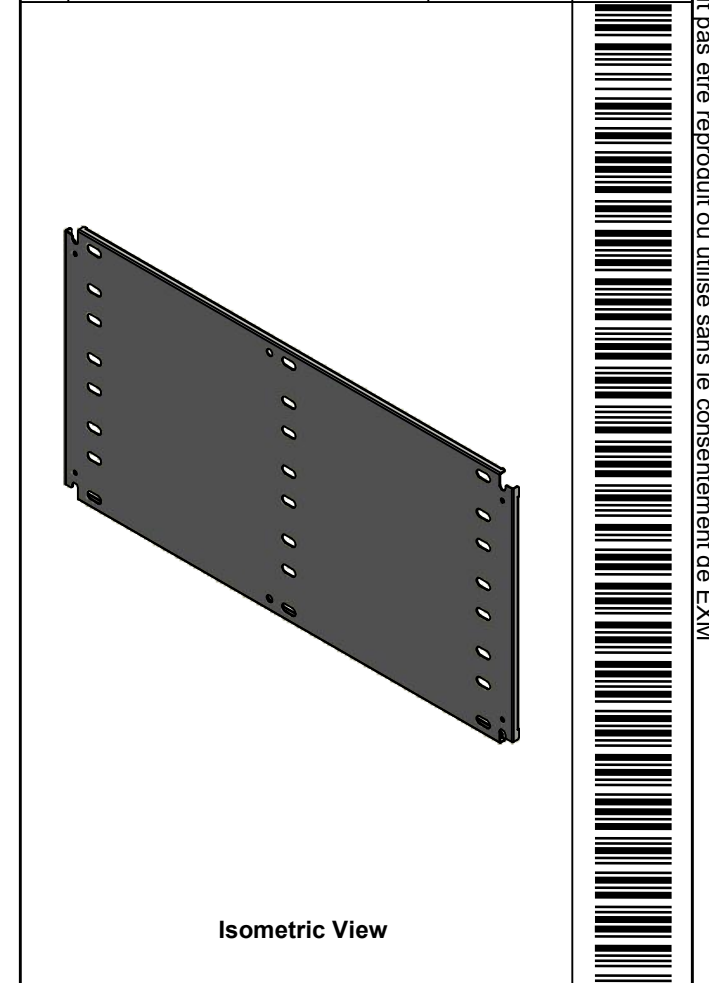
SEE BILL OF MATERIAL ON LAST PAGE



1412BTSSCU05404DTIP1

This drawing is confidential and must not be reproduced or used without the consent of EXM

Ce dessin est confidentiel et ne doit pas être reproduit ou utilisé sans le consentement de EXM

No.	Revisions	Date	By/Par



 Tél: (450) 979-4373 Fax: (450) 979-4626 www.exmweb.com		Flatness Aplatissement  Max 3.0mm
Customer Client		Date
Drawn By Dessiné Par BoxCad: BoxCad		Date 11/2/2022
Material Matière 14 Ga Cold Rolled A1008 CS Type B (1.7mm)		
Color Couleur White RAL9003	Finish Fini Smooth	
Description 1412BTSSCU 19.838" x 38" Inner Panel		Detail Rev.
Part Number Numéro Pièce 1412BTSSCU05404DTIP1		Rev. 0 / 15

Qty	Part Number	Rev	Description
1	STK-P-02401S	0	Powder Paint (White / Smooth)
1	1412BTSSCU05404DTIP1-P	0	1412BTSSCU 19.838" x 60" Inner Panel Part
Parts List			