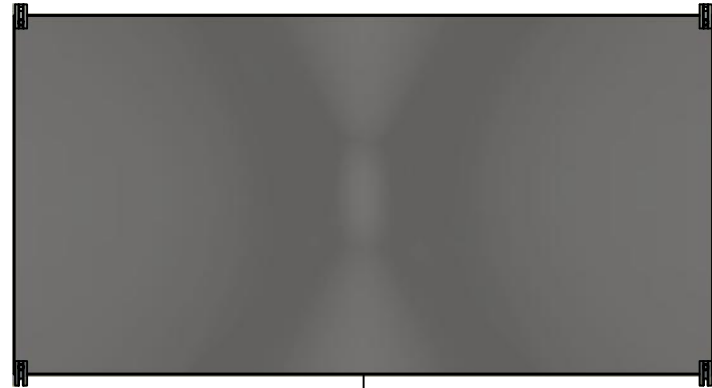


This drawing is confidential and must not be reproduced or used without the consent of EXM

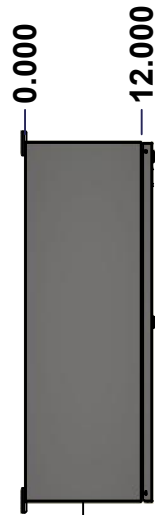
Ce dessin est confidentiel et ne doit pas être reproduit ou utilisé sans le consentement de EXM



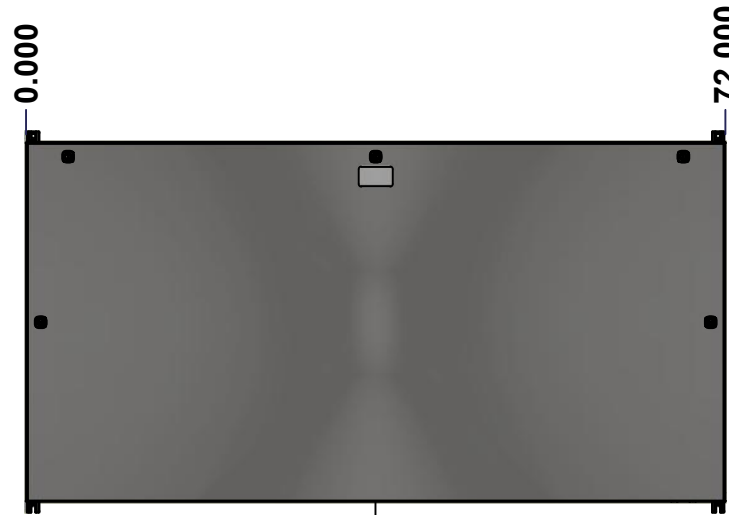
TOP



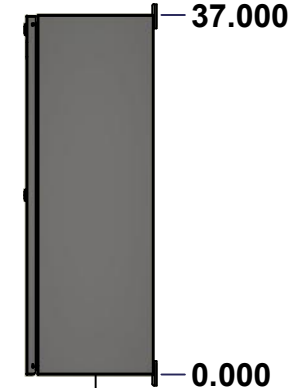
BACK



LEFT



FRONT

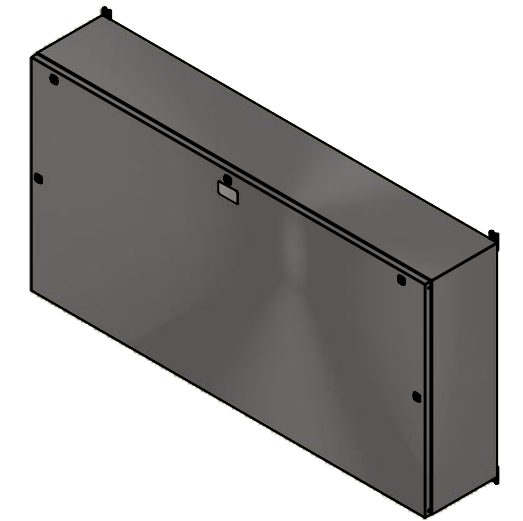


RIGHT



BOTTOM

No.	Revisions	Date	By/Par



Isometric View



Tél: (450) 979-4373
 Fax: (450) 979-4626
www.exmweb.com

Flatness
Aplatissement

Max 3.0mm

Projection



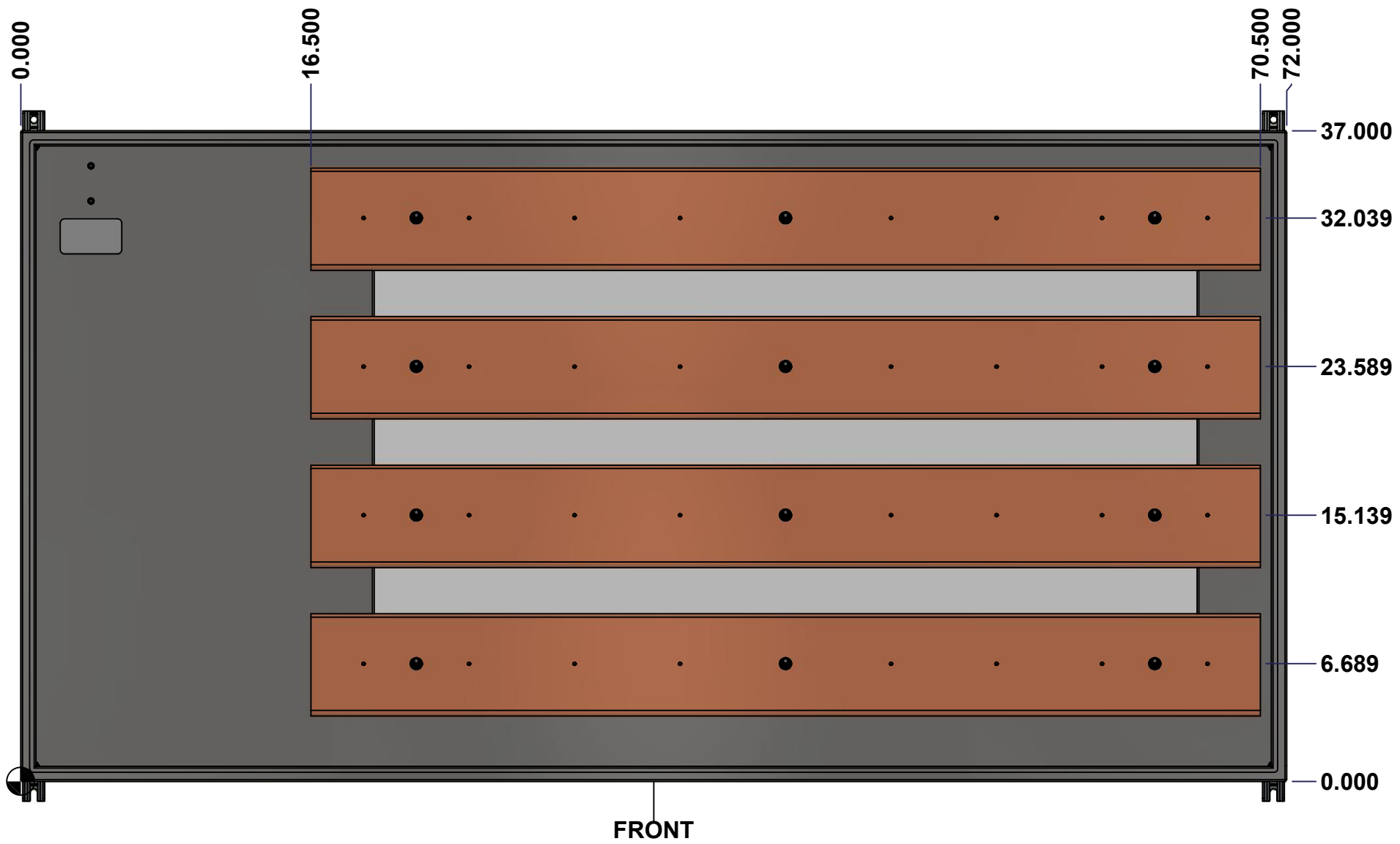
Customer Client	Date
Drawn By Dessiné Par BoxCad: BoxCad	Date 11/4/2022
Material Matière 14 Ga Stainless Steel 304 (1.7mm)	
Color Couleur Unpainted	Finish Fini Brushed
Description 1412BTSSCU 2500A - 4Wires x 72" Assembly	Detail Rev.
Part Number Numéro Pièce 1412BTSSCU062504DT	Rev. 0

SEE BILL OF MATERIAL ON LAST PAGE

This drawing is confidential and must not be reproduced or used without the consent of Eurobox

Ce dessin est confidentiel et ne doit pas être reproduit ou utilisé sans le consentement de Eurobox

STANDARD FEATURES ARE NOT LISTED IN THIS HOLE TABLE



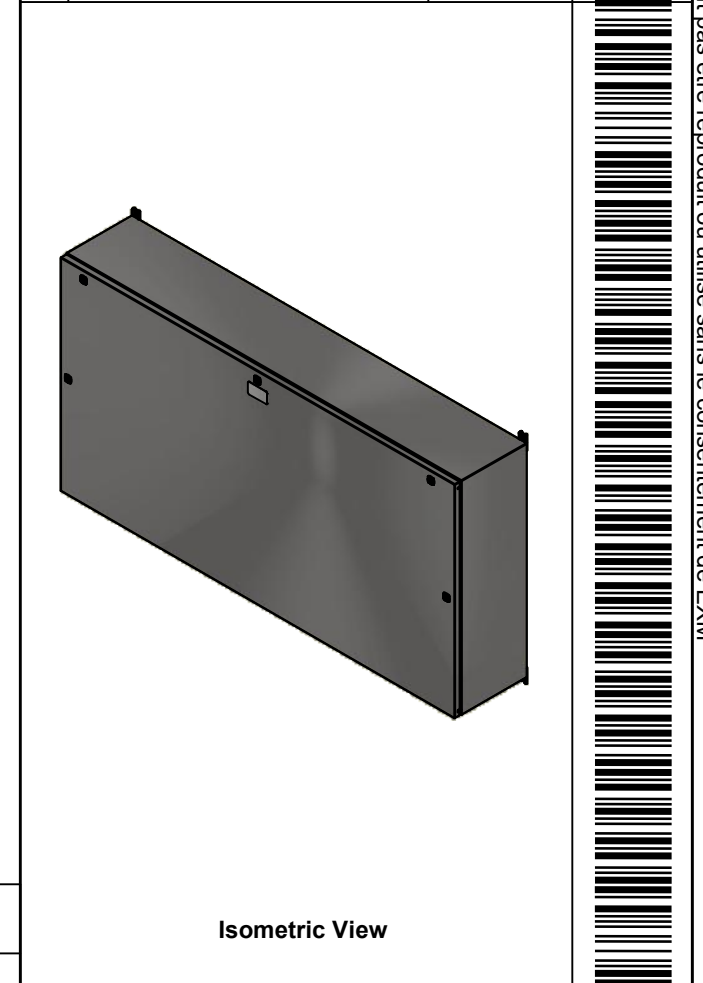
	Description 1412BTSSCU 2500A - 4Wires x 72" Assembly		Status (NULL)
	Part Number Numéro Pièce 1412BTSSCU062504DT		Rev. 2 0

This drawing is confidential and must not be reproduced or used without the consent of EXM

Ce dessin est confidentiel et ne doit pas être reproduit ou utilisé sans le consentement de EXM


NOTE	
ITEM	DESCRIPTION
1	NEMA 4X Enclosure
2	C/W Standard ground studs on box and cover
3	W/O Standard door stiffener
4	C/W Special inner panel (Sold separately)
5	C/W Standard inner panel mounting studs

No.	Revisions	Date	By/Par



PACKING		
ITEM	QTY	DESCRIPTION
Cardboard sleeve	2	Top and Bottom
Cardboard strip	2	Between back of enclosure and inner panel
Plastic bag	1	To protect cover surface and inside gasket
Cardboard corner	4	To reinforced for the plastic strap tightening
Plastic strap - Black	2	To Squeeze 2 cardboard sleeve together
Packaging label	3	White label with PN
Plastic strap- Green	2	To secure the enclosure to the wood pallet
Wood Pallet	1	2" deeper and 3" larger than enclosure size

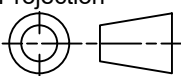
4	STK-Q-04051-07	8	M6 x 7mm Stainless Steel Hexagon Socket Head Machine Screw with Nyseal
1	885 ESMF2	0	885 ESMF2 Stainless Steel Mounting Feet Kit
1	1412BTSSCU062504DTB AR4-P	0	Rounded Edge Copper Bar 1/2" x 6"
1	1412BTSSCU062504DTB AR1-P	0	Rounded Edge Copper Bar 1/2" x 6"
1	1412BTSSCU062504DTB AR2-P	0	Rounded Edge Copper Bar 1/2" x 6"
1	1412BTSSCU062504DTB AR3-P	0	Rounded Edge Copper Bar 1/2" x 6"
1	1412BTSSCU062504DTIP 1	0	1412BTSSCU 29.975" x 47" Inner Panel
12	STK-A-67400	0	Buss Bar Insulator Kit
1	STK-K-01800	5	5412 ES Accessory Kit
18	STK-Q-07310	2	Flange Lock Nut M8
6	STK-Q-07610	8	M8 Plastic Spacer 22.2mm
1	1412BTSSCU062504DTB	0	1412BTSSCU 37" x 72" x 12" Body
1	1412BTSSCU062504DTC	0	1412BTSSCU 37" x 72" Cover
Qty	Part Number	Rev	Description
Parts List			



Tél: (450) 979-4373
Fax: (450) 979-4626
www.exmweb.com

Flatness
Aplatissement
Max 3.0mm

Projection



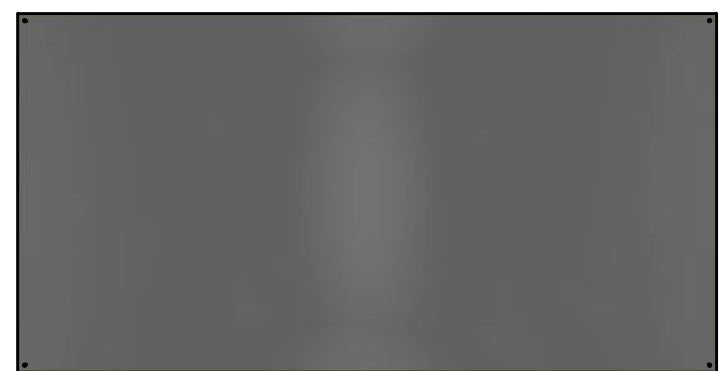
Customer Client	Date
Drawn By Dessiné Par BoxCad: BoxCad	Date 11/4/2022
Material Matière 14 Ga Stainless Steel 304 (1.7mm)	
Color Couleur Unpainted	Finish Fini Brushed
Description 1412BTSSCU 2500A - 4Wires x 72" Assembly	Detail Rev.
Part Number Numéro Pièce 1412BTSSCU062504DT	Rev. 0

This drawing is confidential and must not be reproduced or used without the consent of EXM

Ce dessin est confidentiel et ne doit pas être reproduit ou utilisé sans le consentement de EXM



TOP



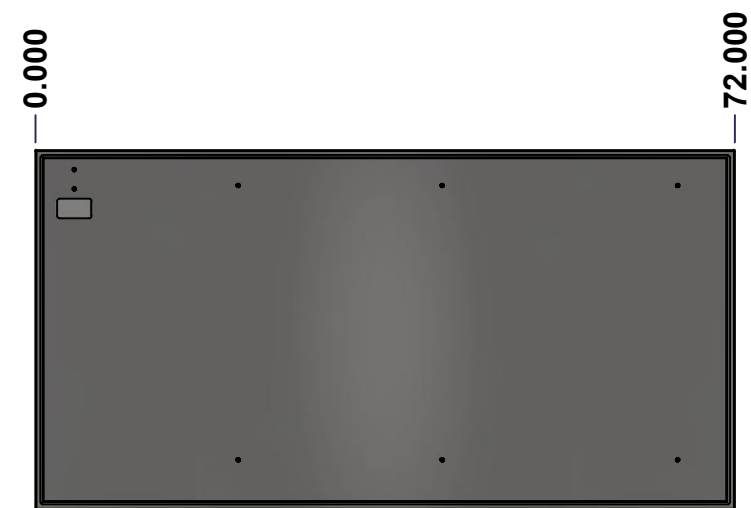
BACK



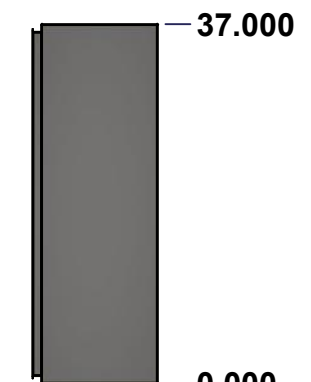
BOTTOM



LEFT

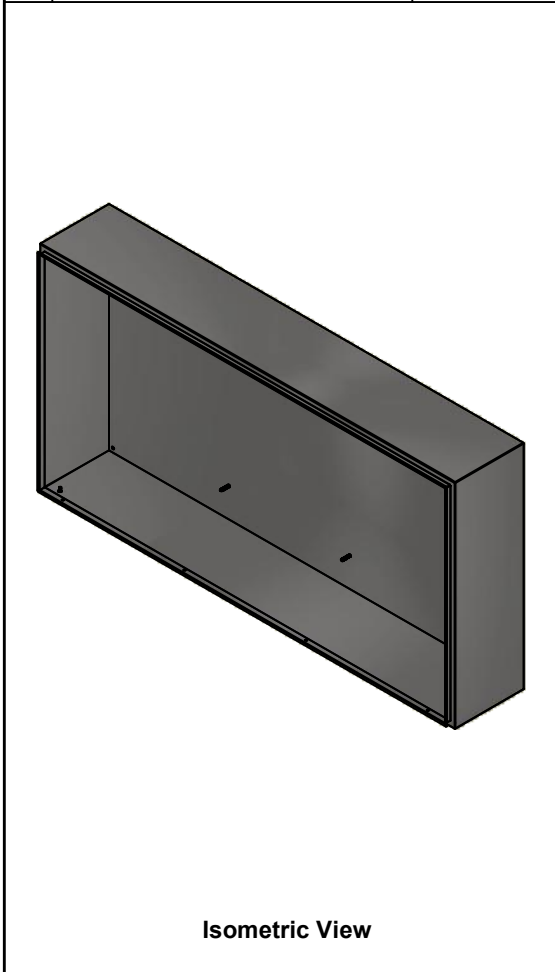


FRONT

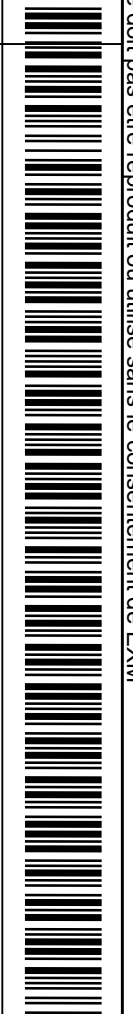



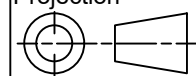
RIGHT

No.	Revisions	Date	By/Par



Isometric View



 Tél: (450) 979-4373 Fax: (450) 979-4626 www.exmweb.com	Flatness Aplatissement Max 3.0mm
	Projection 
Customer Client	Date
Drawn By Dessiné Par BoxCad: BoxCad	Date 11/4/2022
Material Matière 14 Ga Stainless Steel 304 (1.7mm)	
Color Couleur Unpainted	Finish Fini Brushed
Description 1412BTSSCU 37" x 72" x 12" Body	Detail Rev.
Part Number Numéro Pièce 1412BTSSCU062504DTB	Rev. 4

SEE BILL OF MATERIAL ON LAST PAGE

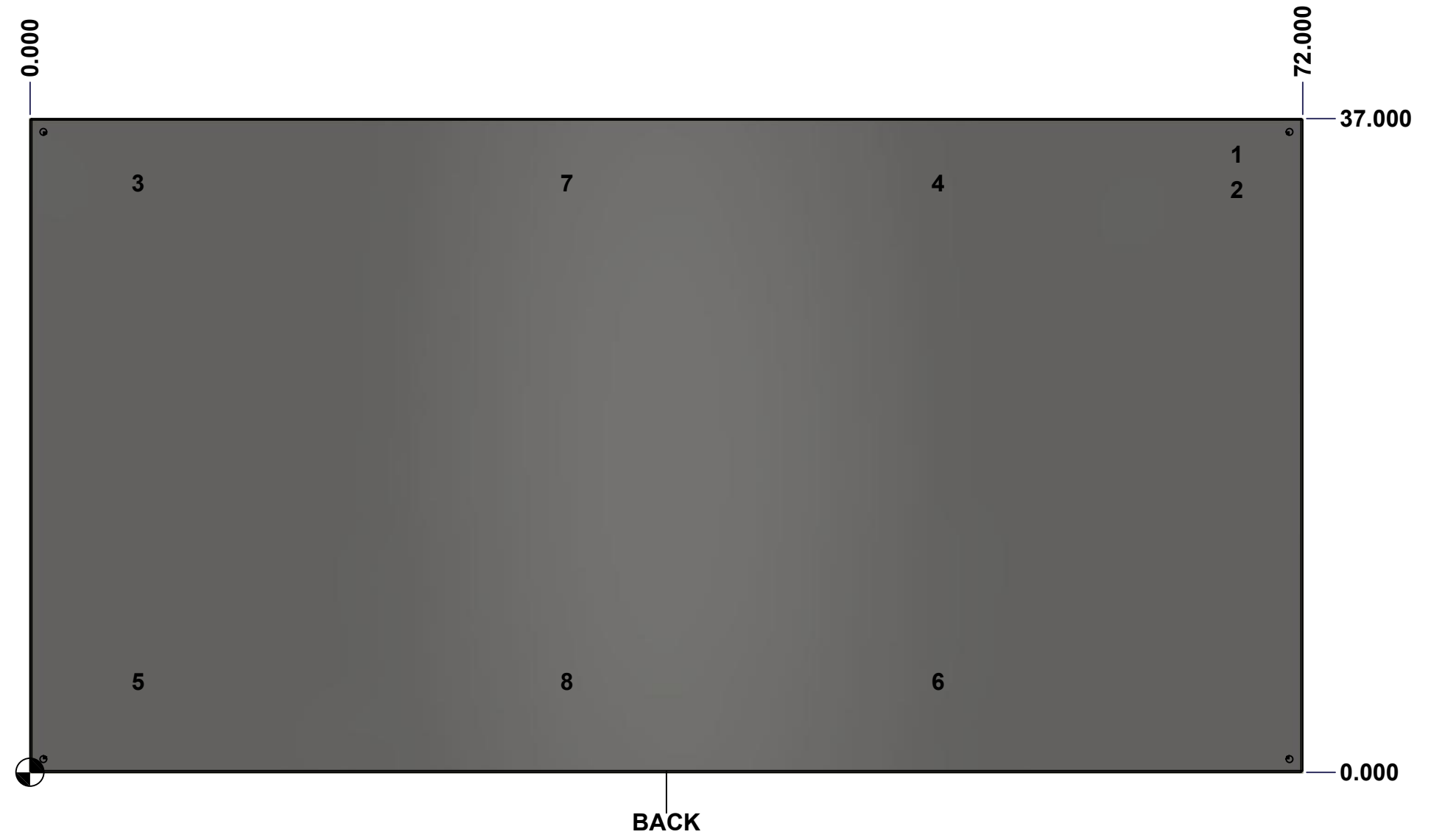
This drawing is confidential and must not be reproduced or used without the consent of Eurobox

Ce dessin est confidentiel et ne doit pas être reproduit ou utilisé sans le consentement de Eurobox

STANDARD FEATURES ARE NOT LISTED IN THIS HOLE TABLE

HOLE TABLE - BACK VIEW (CUSTOM FEATURE ONLY)

CUT-OUT	XDIM	YDIM	DESCRIPTION
1	68.000	35.000	GND STUD M8 x 35mm (Inside)
2	68.000	33.000	GND STUD M8 x 35mm (Inside)
3	5.875	33.350	IP STUD M8 x 35mm (Inside)
4	51.125	33.350	IP STUD M8 x 35mm (Inside)
5	5.875	5.125	IP STUD M8 x 35mm (Inside)
6	51.125	5.125	IP STUD M8 x 35mm (Inside)
7	30.125	33.350	IP STUD M8 x 35mm (Inside)
8	30.125	5.125	IP STUD M8 x 35mm (Inside)

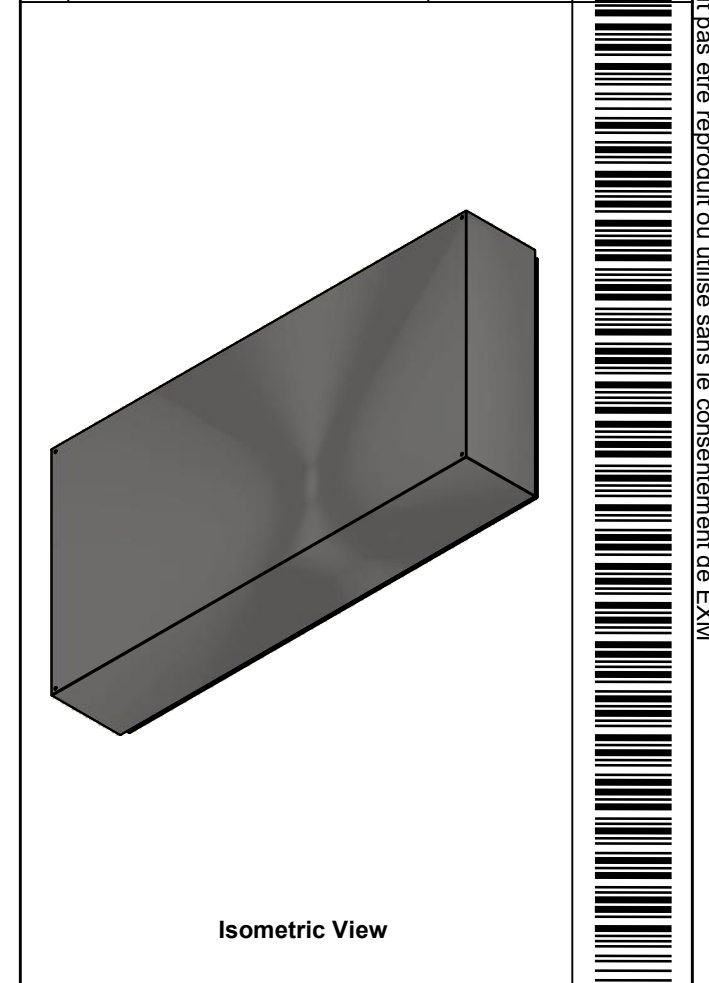



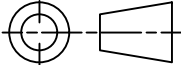
	Description	Status
	1412BTSSCU 37" x 72" x 12" Body	(NULL)
	Part Number Numéro Pièce	Rev.
	1412BTSSCU062504DTB	0 / 5

This drawing is confidential and must not be reproduced or used without the consent of EXM

Ce dessin est confidentiel et ne doit pas être reproduit ou utilisé sans le consentement de EXM

No.	Revisions	Date	By/Par



 Tél: (450) 979-4373 Fax: (450) 979-4626 www.exmweb.com		Flatness Aplatissement Max 3.0mm Projection 
Customer Client	Date	
Drawn By Dessiné Par	BoxCad: BoxCad	Date 11/4/2022
Material Matière	14 Ga Stainless Steel 304 (1.7mm)	
Color Couleur	Unpainted	Finish Fini Brushed
Description		Detail Rev.
1412BTSSCU 37" x 72" x 12" Body		
Part Number Numéro Pièce	Rev.	6
1412BTSSCU062504DTB	0	15

Qty	Part Number	Rev	Description
8	STK-Q-16020	1	Stud M8 x 35mm Stainless Steel
1	STK-Q-16095	0	M6 x 16mm Stainless Steel Ground Stud
1	STK-S-00100	0	3.5" x 2" Silver Milar Flexcon Sticker
1	1412BTSSCU062504DTB-P	0	1412BTSSCU 37" x 72" x 12" Body Part
Parts List			

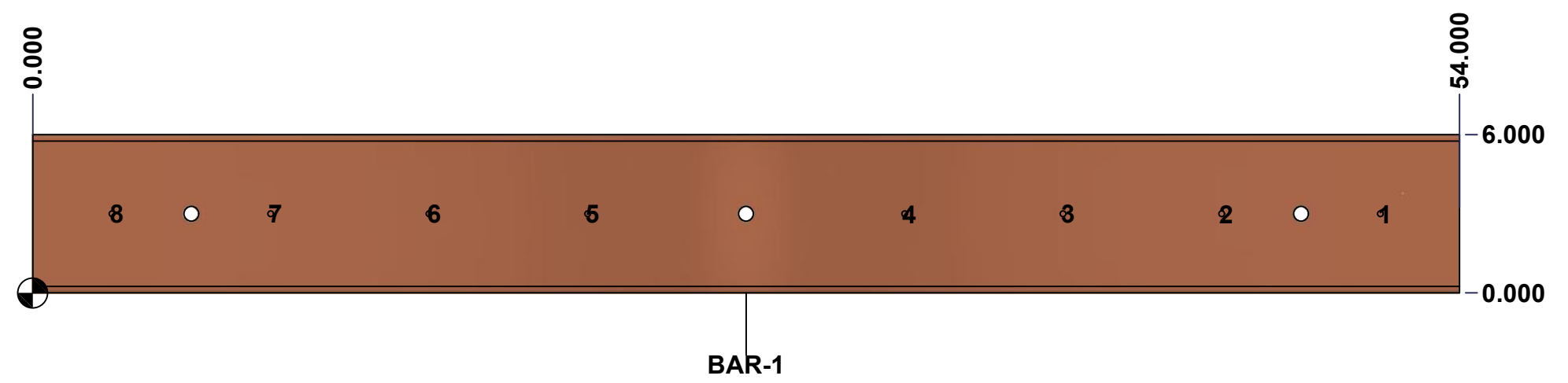
This drawing is confidential and must not be reproduced or used without the consent of Eurobox

Ce dessin est confidentiel et ne doit pas être reproduit ou utilisé sans le consentement de Eurobox

STANDARD FEATURES ARE NOT LISTED IN THIS HOLE TABLE

HOLE TABLE - FRONT VIEW (CUSTOM FEATURE ONLY)

CUT-OUT	XDIM	YDIM	DESCRIPTION
1	51.000	3.000	RND Ø0.201 THREAD 1/4-20 UNC
2	45.000	3.000	RND Ø0.201 THREAD 1/4-20 UNC
3	39.000	3.000	RND Ø0.201 THREAD 1/4-20 UNC
4	33.000	3.000	RND Ø0.201 THREAD 1/4-20 UNC
5	21.000	3.000	RND Ø0.201 THREAD 1/4-20 UNC
6	15.000	3.000	RND Ø0.201 THREAD 1/4-20 UNC
7	9.000	3.000	RND Ø0.201 THREAD 1/4-20 UNC
8	3.000	3.000	RND Ø0.201 THREAD 1/4-20 UNC



	Description	Status	
	Rounded Edge Copper Bar 1/2" x 6"	(NULL)	
	Part Number Numéro Pièce	Rev.	7
	1412BTSSCU062504DTBAR1-P0		15

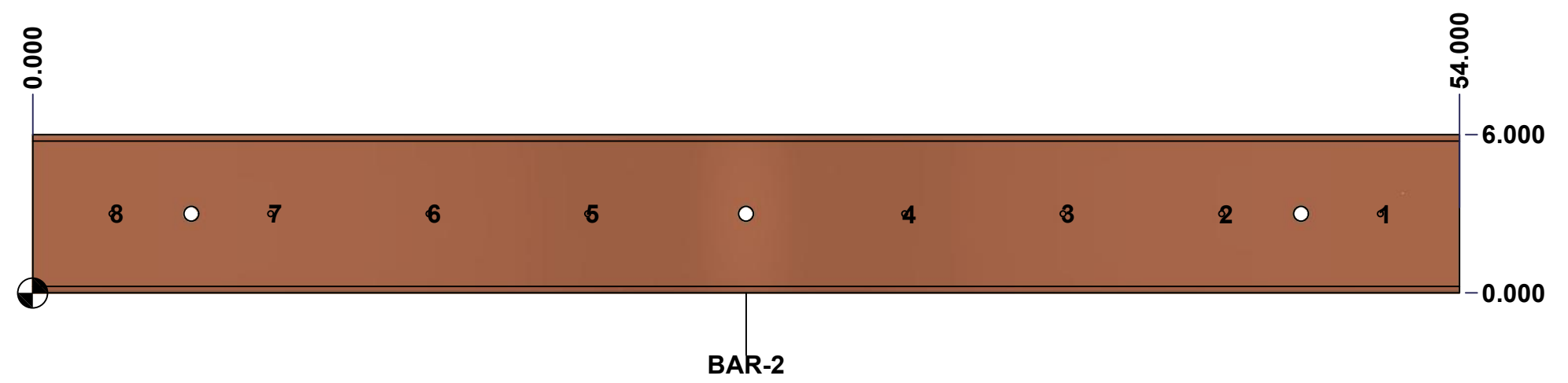
This drawing is confidential and must not be reproduced or used without the consent of Eurobox

Ce dessin est confidentiel et ne doit pas être reproduit ou utilisé sans le consentement de Eurobox

STANDARD FEATURES ARE NOT LISTED IN THIS HOLE TABLE

HOLE TABLE - FRONT VIEW (CUSTOM FEATURE ONLY)

CUT-OUT	XDIM	YDIM	DESCRIPTION
1	51.000	3.000	RND Ø0.201 THREAD 1/4-20 UNC
2	45.000	3.000	RND Ø0.201 THREAD 1/4-20 UNC
3	39.000	3.000	RND Ø0.201 THREAD 1/4-20 UNC
4	33.000	3.000	RND Ø0.201 THREAD 1/4-20 UNC
5	21.000	3.000	RND Ø0.201 THREAD 1/4-20 UNC
6	15.000	3.000	RND Ø0.201 THREAD 1/4-20 UNC
7	9.000	3.000	RND Ø0.201 THREAD 1/4-20 UNC
8	3.000	3.000	RND Ø0.201 THREAD 1/4-20 UNC



	Description	Status
	Rounded Edge Copper Bar 1/2" x 6"	(NULL)
	Part Number Numéro Pièce	Rev.
	1412BTSSCU062504DTBAR2-P0	8
		15

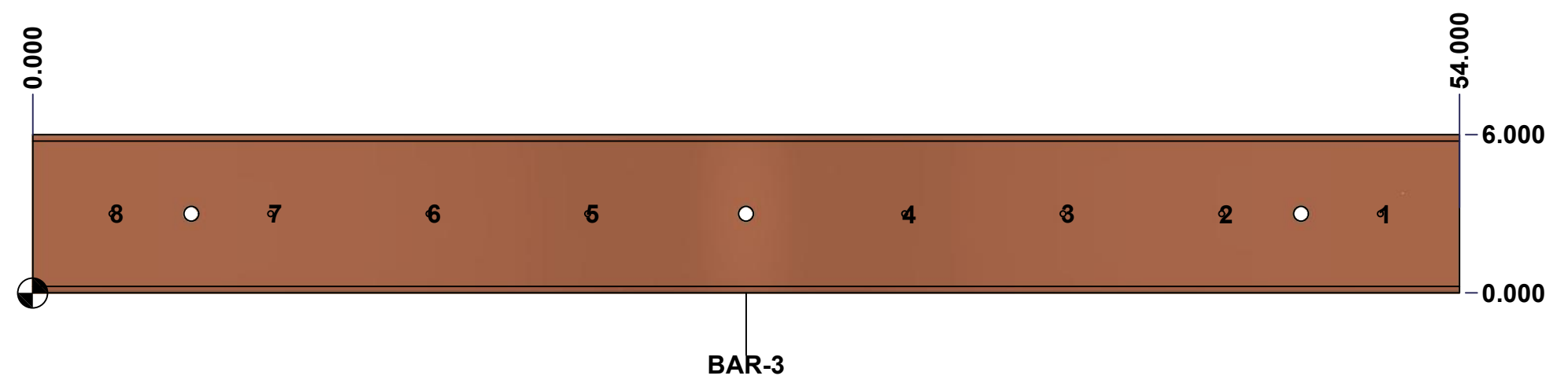
This drawing is confidential and must not be reproduced or used without the consent of Eurobox

Ce dessin est confidentiel et ne doit pas être reproduit ou utilisé sans le consentement de Eurobox

STANDARD FEATURES ARE NOT LISTED IN THIS HOLE TABLE

HOLE TABLE - FRONT VIEW (CUSTOM FEATURE ONLY)

CUT-OUT	XDIM	YDIM	DESCRIPTION
1	51.000	3.000	RND Ø0.201 THREAD 1/4-20 UNC
2	45.000	3.000	RND Ø0.201 THREAD 1/4-20 UNC
3	39.000	3.000	RND Ø0.201 THREAD 1/4-20 UNC
4	33.000	3.000	RND Ø0.201 THREAD 1/4-20 UNC
5	21.000	3.000	RND Ø0.201 THREAD 1/4-20 UNC
6	15.000	3.000	RND Ø0.201 THREAD 1/4-20 UNC
7	9.000	3.000	RND Ø0.201 THREAD 1/4-20 UNC
8	3.000	3.000	RND Ø0.201 THREAD 1/4-20 UNC



	Description	Status
	Rounded Edge Copper Bar 1/2" x 6"	(NULL)
	Part Number Numéro Pièce	Rev.
	1412BTSSCU062504DTBAR3-P0	9
		15

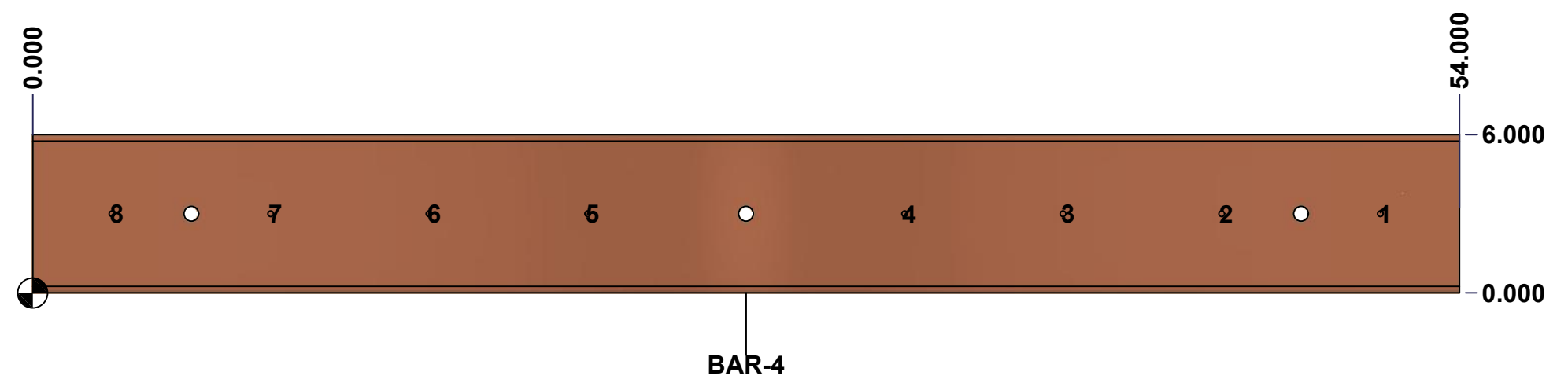
This drawing is confidential and must not be reproduced or used without the consent of Eurobox

Ce dessin est confidentiel et ne doit pas être reproduit ou utilisé sans le consentement de Eurobox

STANDARD FEATURES ARE NOT LISTED IN THIS HOLE TABLE

HOLE TABLE - FRONT VIEW (CUSTOM FEATURE ONLY)

CUT-OUT	XDIM	YDIM	DESCRIPTION
1	51.000	3.000	RND Ø0.201 THREAD 1/4-20 UNC
2	45.000	3.000	RND Ø0.201 THREAD 1/4-20 UNC
3	39.000	3.000	RND Ø0.201 THREAD 1/4-20 UNC
4	33.000	3.000	RND Ø0.201 THREAD 1/4-20 UNC
5	21.000	3.000	RND Ø0.201 THREAD 1/4-20 UNC
6	15.000	3.000	RND Ø0.201 THREAD 1/4-20 UNC
7	9.000	3.000	RND Ø0.201 THREAD 1/4-20 UNC
8	3.000	3.000	RND Ø0.201 THREAD 1/4-20 UNC



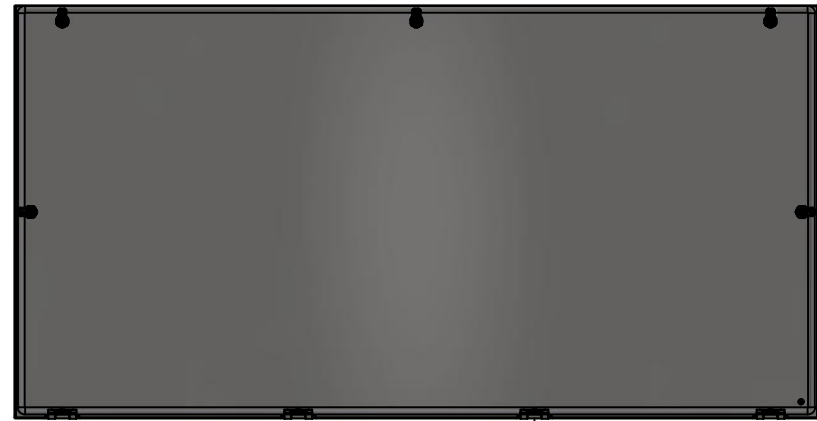
	Description	Status	
	Rounded Edge Copper Bar 1/2" x 6"	(NULL)	
	Part Number Numéro Pièce	Rev.	10
	1412BTSSCU062504DTBAR4-P0		15

This drawing is confidential and must not be reproduced or used without the consent of EXM

Ce dessin est confidentiel et ne doit pas être reproduit ou utilisé sans le consentement de EXM



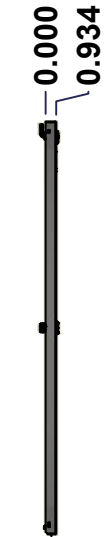
TOP



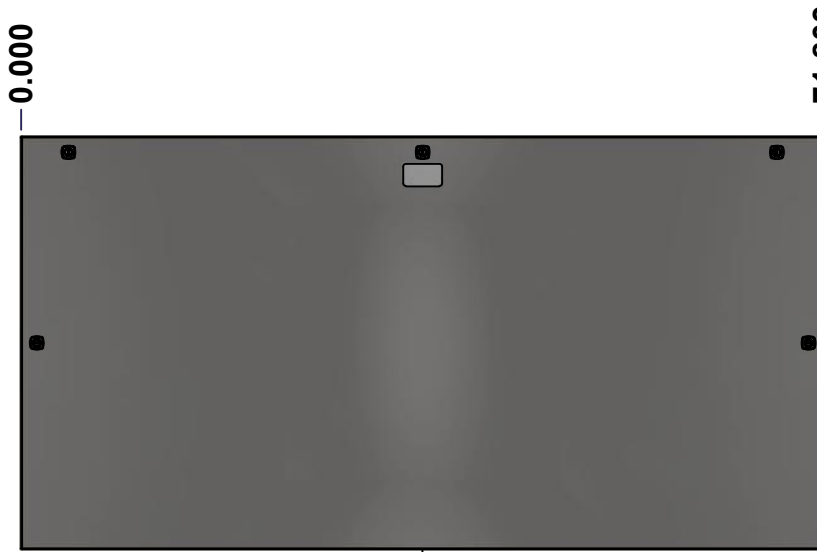
BACK



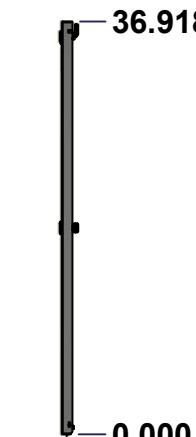
BOTTOM



LEFT

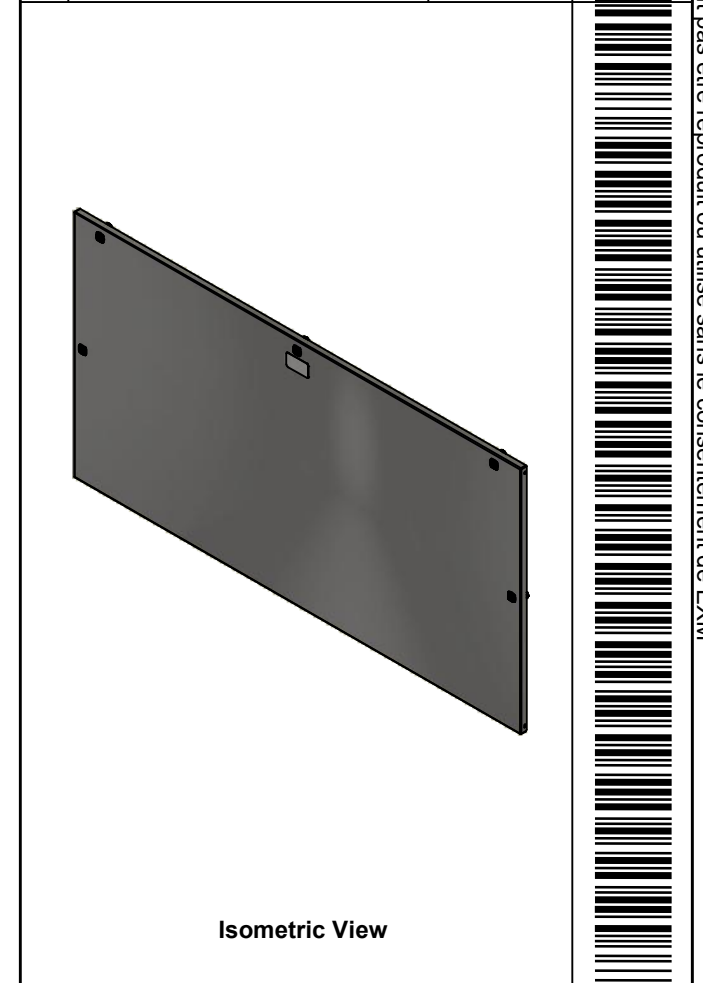


FRONT




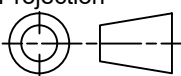
RIGHT

No.	Revisions	Date	By/Par



Isometric View



 Tél: (450) 979-4373 Fax: (450) 979-4626 www.exmweb.com		Flatness Aplatissement Max 3.0mm Projection 
Customer Client	Date	
Drawn By Dessiné Par	BoxCad: BoxCad	Date 11/4/2022
Material Matière	14 Ga Stainless Steel 304 (1.7mm)	
Color Couleur	Unpainted	Finish Fini Brushed
Description 1412BTSSCU 37" x 72" Cover		Detail Rev.
Part Number Numéro Pièce	Rev. 0	11 / 15

SEE BILL OF MATERIAL ON LAST PAGE **1412BTSSCU062504DTC**

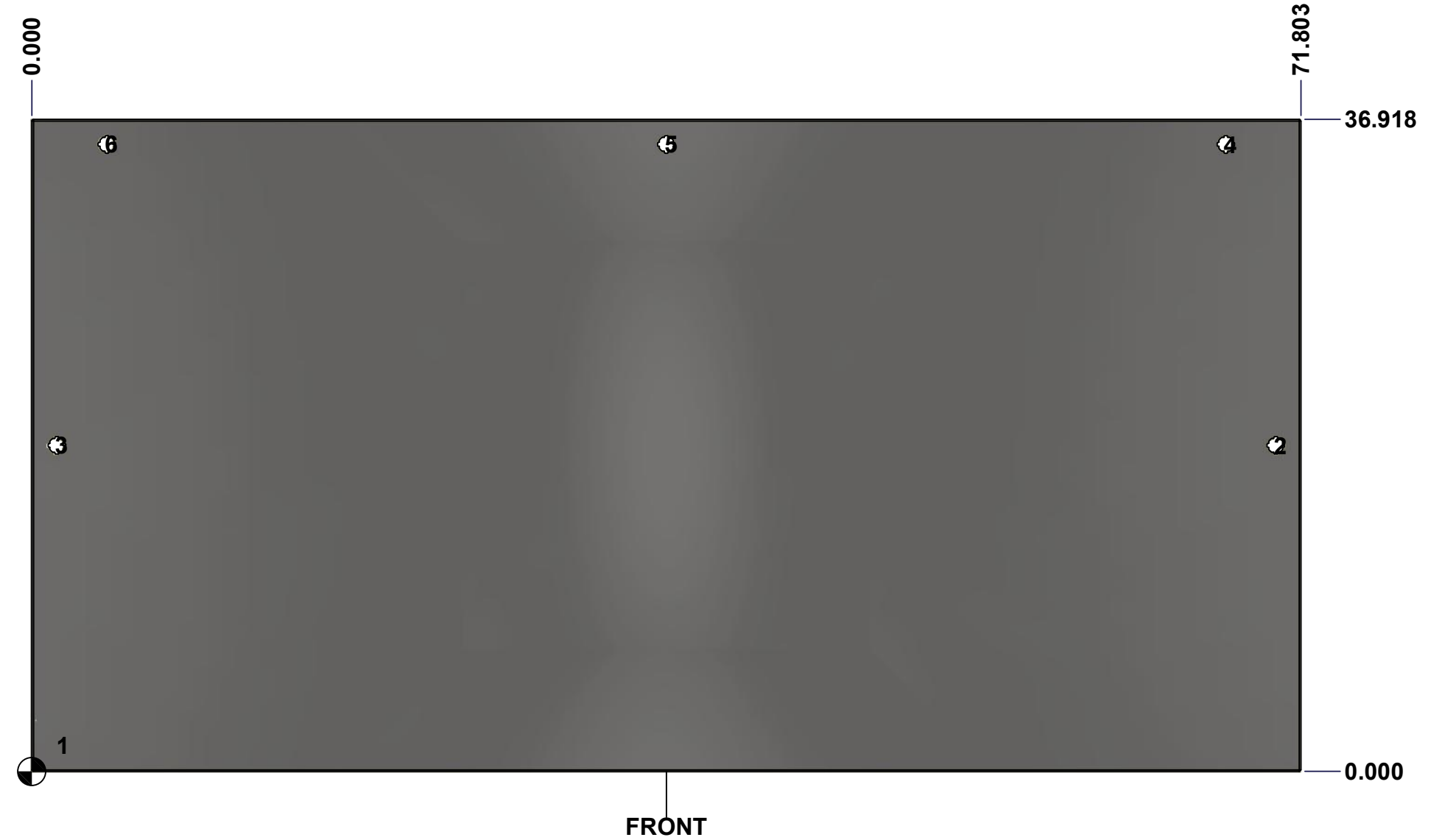
This drawing is confidential and must not be reproduced or used without the consent of Eurobox

Ce dessin est confidentiel et ne doit pas être reproduit ou utilisé sans le consentement de Eurobox

STANDARD FEATURES ARE NOT LISTED IN THIS HOLE TABLE

HOLE TABLE - FRONT VIEW (CUSTOM FEATURE ONLY)

CUT-OUT	XDIM	YDIM	DESCRIPTION
1	1.500	1.486	GND STUD M6 x 16mm (Inside)
2	70.379	18.459	LOCK 880 SCQ4-SLSS6 @ 0.0°
3	1.424	18.459	LOCK 880 SCQ4-SLSS6 @ 180.0°
4	67.553	35.494	LOCK 880 SCQ4-SLSS6 @ 90.0°
5	35.902	35.494	LOCK 880 SCQ4-SLSS6 @ 90.0°
6	4.250	35.494	LOCK 880 SCQ4-SLSS6 @ 90.0°

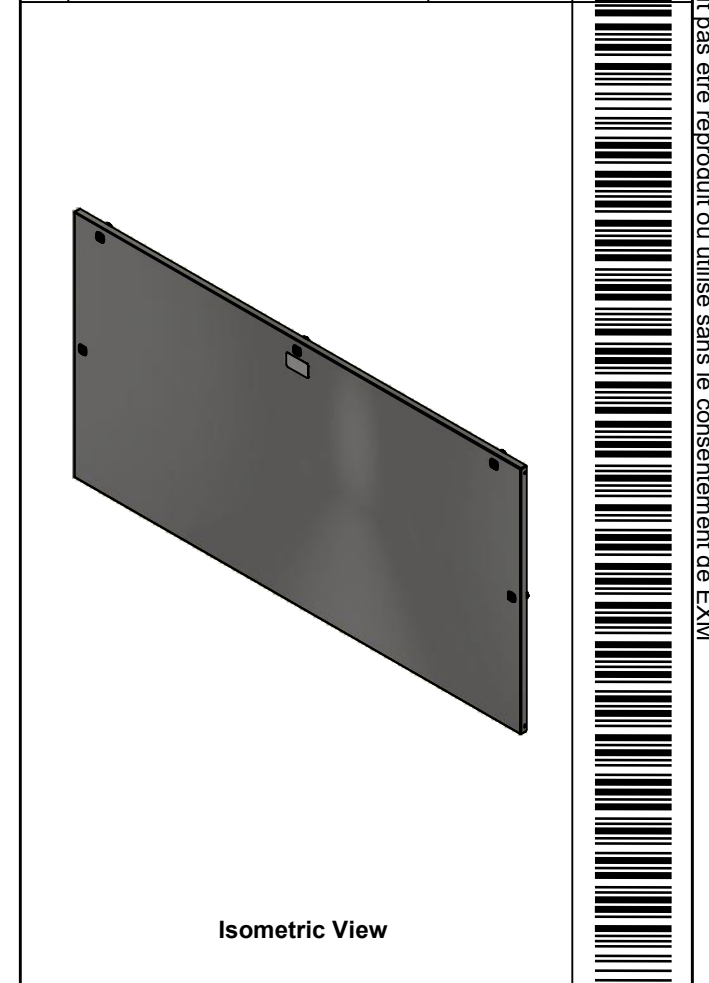


	Description	Status
	1412BTSSCU 37" x 72" Cover	(NULL)
	Part Number Numéro Pièce	Rev.
	1412BTSSCU062504DTC	0 / 12 / 15

This drawing is confidential and must not be reproduced or used without the consent of EXM

Ce dessin est confidentiel et ne doit pas être reproduit ou utilisé sans le consentement de EXM

No.	Revisions	Date	By/Par



 Tél: (450) 979-4373 Fax: (450) 979-4626 www.exmweb.com	Flatness Aplatissement
	Max 3.0mm
	Projection
	

Customer Client	Date
Drawn By Dessiné Par	Date

Material
Matière: 14 Ga Stainless Steel 304 (1.7mm)

Color Couleur	Unpainted	Finish Fini	Brushed
------------------	-----------	----------------	---------

Description	Detail Rev.
1412BTSSCU 37" x 72" Cover	

Part Number Numéro Pièce	Rev.	13
1412BTSSCU062504DTC	0	15

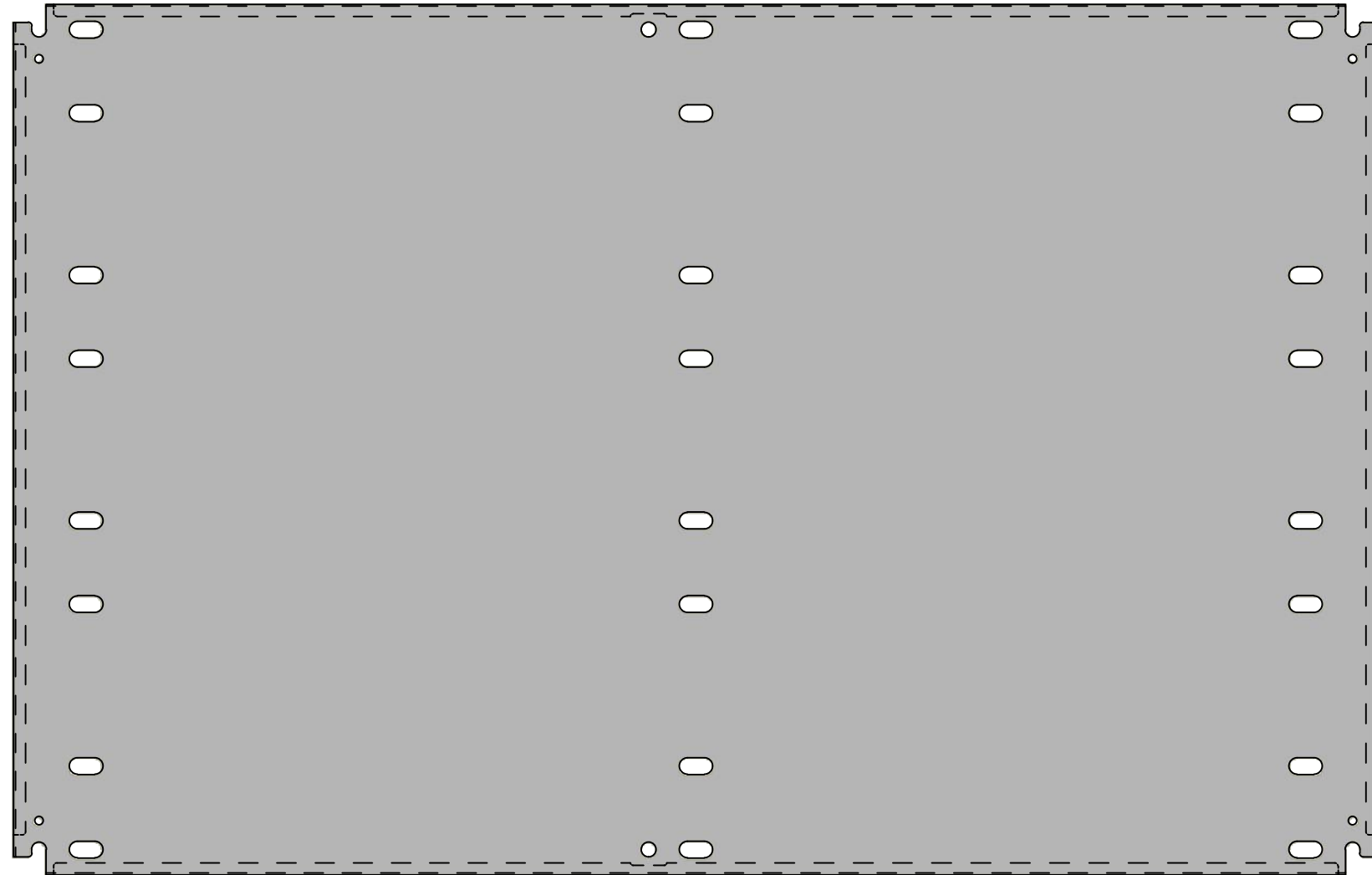
Qty	Part Name	Rev	Description
1	1412BTSSCU062504DTG	0	1412BTSSCU 37" x 72" Cover Gasket
4	STK-K-09850	6	5412 ESS Hinge with 2 Captive Hinge Pins
1	STK-Q-16095	0	M6 x 16mm Stainless Steel Ground Stud
1	STK-S-00100	0	3.5" x 2" Silver Milar Flexcon Sticker
1	1412BTSSCU062504DTC-P	0	1412BTSSCU 37" x 72" Cover Part
5	880 SCQ4-SLSS6	7	5412 ESS 1/4 Turn Lock
Parts List			

This drawing is confidential and must not be reproduced or used without the consent of EXM

Ce dessin est confidentiel et ne doit pas être reproduit ou utilisé sans le consentement de EXM



TOP



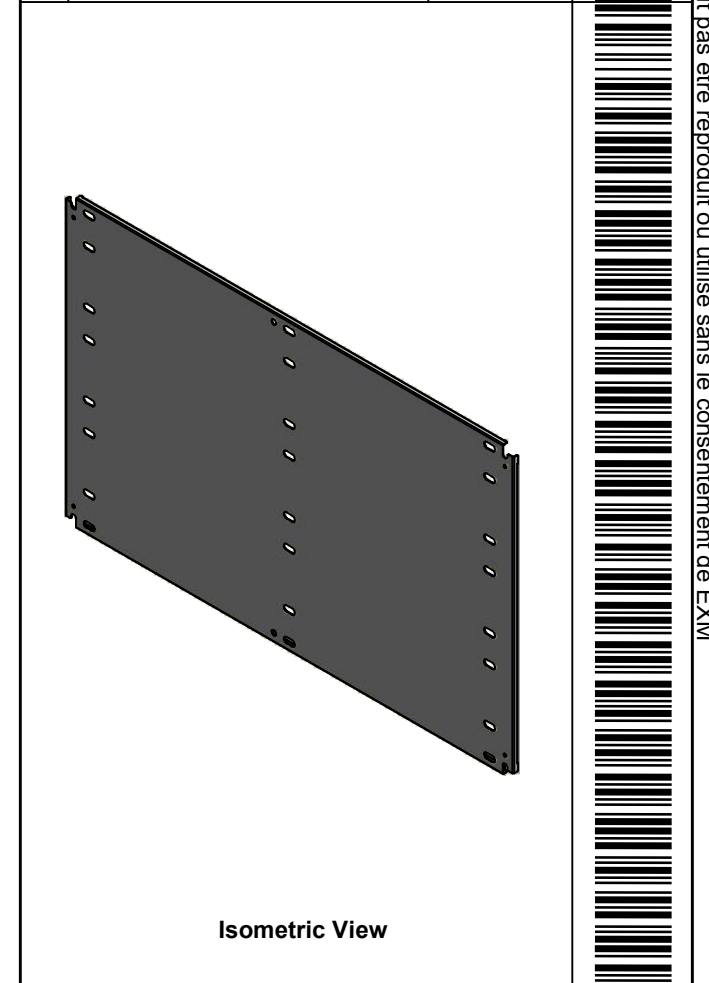
FRONT


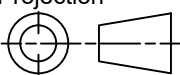
29.975
29.557

0.418
0.000

RIGHT

No.	Revisions	Date	By/Par



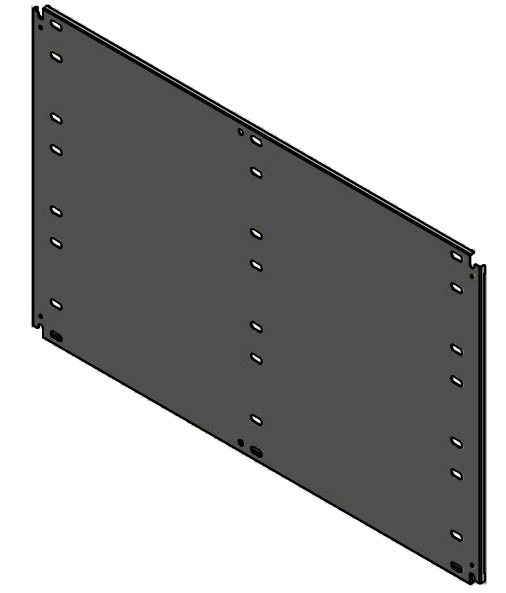
 Tél: (450) 979-4373 Fax: (450) 979-4626 www.exmweb.com		Flatness Aplatissement Max 3.0mm Projection 
Customer Client	Date	
Drawn By Dessiné Par	BoxCad: BoxCad	Date 11/4/2022
Material Matière	14 Ga Cold Rolled A1008 CS Type B (1.7mm)	
Color Couleur	White RAL9003	Finish Fini Smooth
Description 1412BTSSCU 29.975" x 47" Inner Panel		Detail Rev.
Part Number Numéro Pièce	Rev. 0	14 15

SEE BILL OF MATERIAL ON LAST PAGE **1412BTSSCU062504DTIP1**

This drawing is confidential and must not be reproduced or used without the consent of EXM


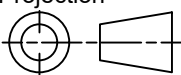
Ce dessin est confidentiel et ne doit pas être reproduit ou utilisé sans le consentement de EXM

No.	Revisions	Date	By/Par



Isometric View



 Tél: (450) 979-4373 Fax: (450) 979-4626 www.exmweb.com	Flatness Aplatissement Max 3.0mm
	Projection 
Customer Client	Date
Drawn By Dessiné Par BoxCad: BoxCad	Date 11/4/2022
Material Matière 14 Ga Cold Rolled A1008 CS Type B (1.7mm)	
Color Couleur White RAL9003	Finish Fini Smooth
Description 1412BTSSCU 29.975" x 47" Inner Panel	
Part Number Numéro Pièce 1412BTSSCU062504DTIP1	Detail Rev. Rev. 15 0

Qty	Part Number	Rev	Description
1	STK-P-02401S	0	Powder Paint (White / Smooth)
1	1412BTSSCU062504DTIP 1-P	0	1412BTSSCU 29.975" x 72" Inner Panel Part
Parts List			