

This drawing is confidential and must not be reproduced or used without the consent of EXM

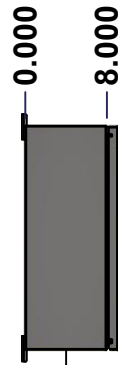
Ce dessin est confidentiel et ne doit pas être reproduit ou utilisé sans le consentement de EXM



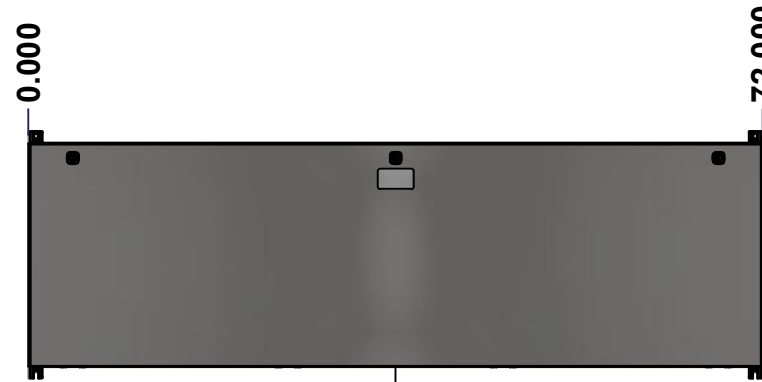
TOP



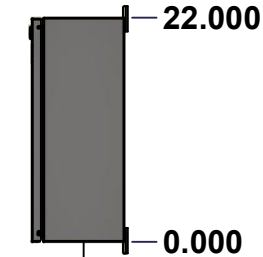
BACK



LEFT



FRONT

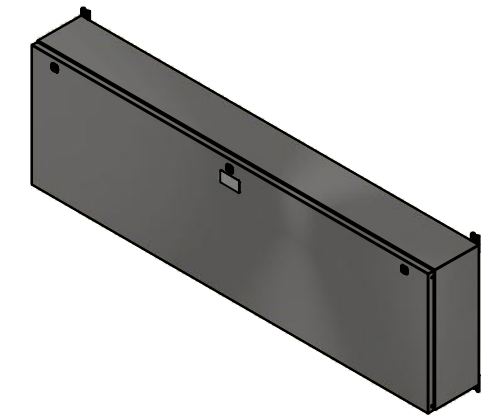


RIGHT



BOTTOM

| No. | Revisions | Date | By/Par |
|-----|-----------|------|--------|
| | | | |
| | | | |
| | | | |
| | | | |
| | | | |



Isometric View

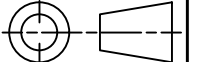


Tél: (450) 979-4373
 Fax: (450) 979-4626
www.exmweb.com

Flatness
Aplatissement

Max 3.0mm

Projection



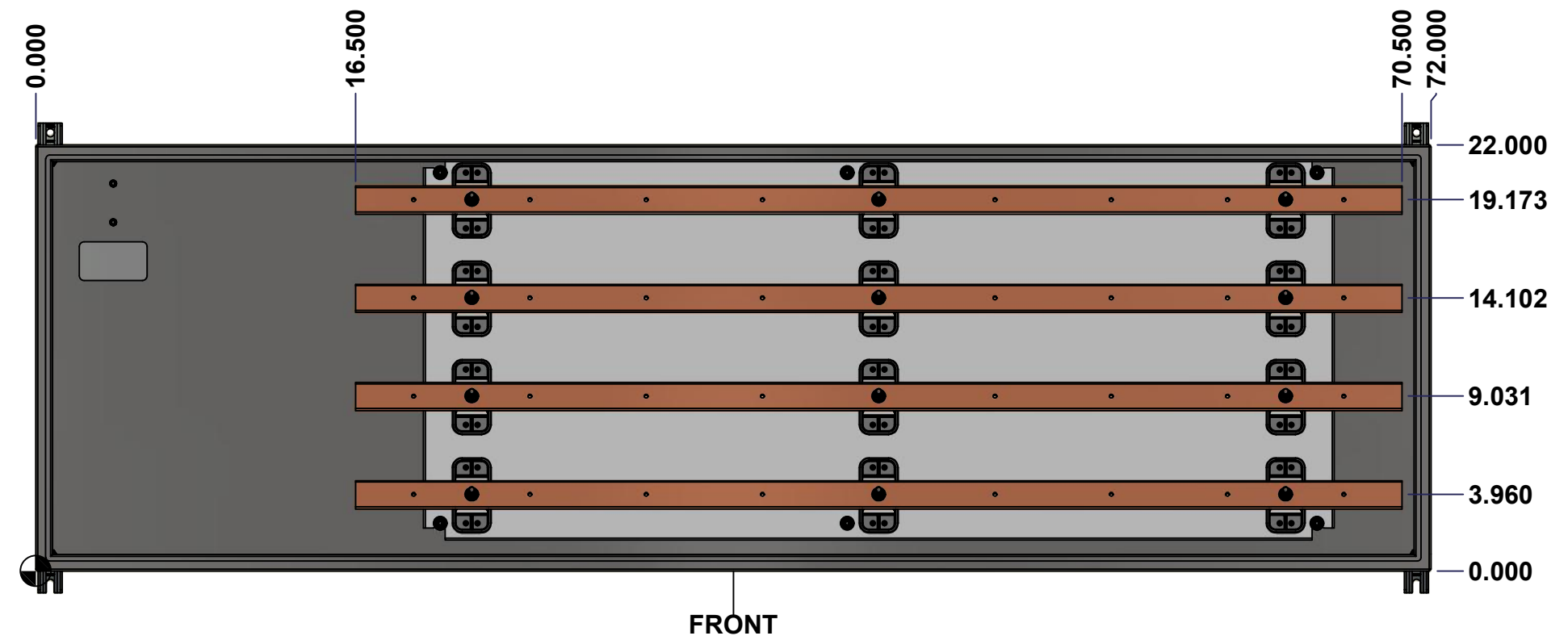
| | |
|---|------------------------|
| Customer Client | Date |
| Drawn By Dessiné Par BoxCad: BoxCad | Date 11/2/2022 |
| Material Matière 14 Ga Stainless Steel 304 (1.7mm) | |
| Color Couleur Unpainted | Finish Fini Brushed |
| Description 1412BTSSCU 400A - 4Wires x 72" Assembly | Detail Rev. |
| Part Number Numéro Pièce 1412BTSSCU06404DT | Rev. 0 |

SEE BILL OF MATERIAL ON LAST PAGE

This drawing is confidential and must not be reproduced or used without the consent of Eurobox

STANDARD FEATURES ARE NOT LISTED IN THIS HOLE TABLE

Ce dessin est confidentiel et ne doit pas être reproduit ou utilisé sans le consentement de Eurobox



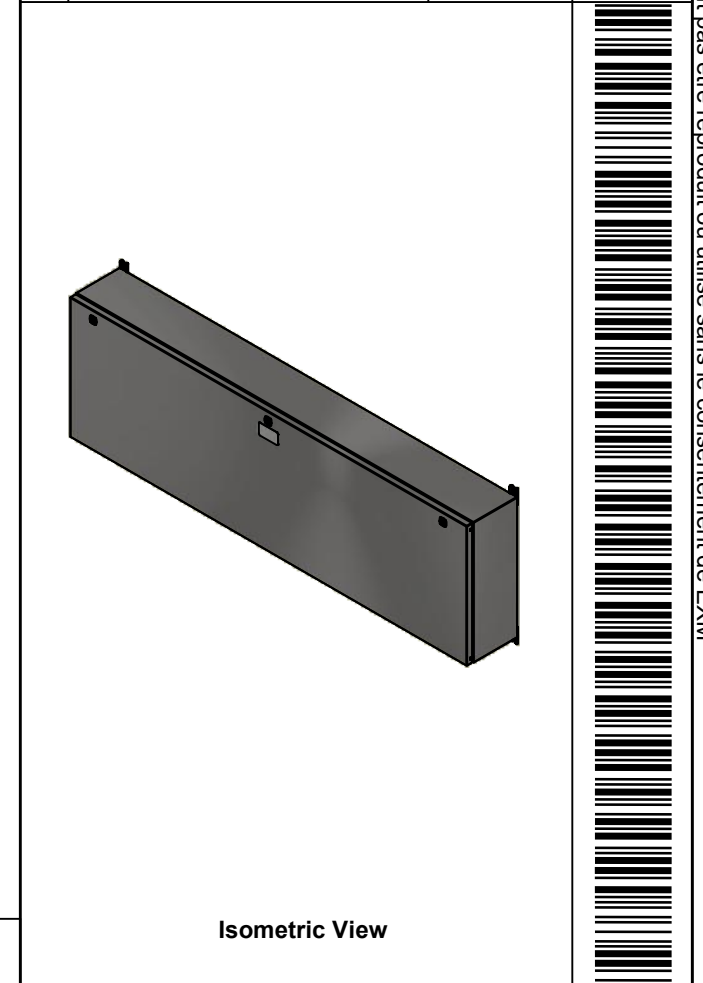
| | | | | |
|--|---|--|------------------|---------|
| | Description 1412BTSSCU 400A - 4Wires x 72" Assembly | | Status (NULL) | |
| | Part Number Numéro Pièce 1412BTSSCU06404DT | | Rev. 0 | 2 15 |

This drawing is confidential and must not be reproduced or used without the consent of EXM

Ce dessin est confidentiel et ne doit pas être reproduit ou utilisé sans le consentement de EXM

| NOTE | |
|------|--|
| ITEM | DESCRIPTION |
| 1 | NEMA 4X Enclosure |
| 2 | C/W Standard ground studs on box and cover |
| 3 | W/O Standard door stiffener |
| 4 | C/W Special inner panel (Sold separately) |
| 5 | C/W Standard inner panel mounting studs |

| No. | Revisions | Date | By/Par |
|-----|-----------|------|--------|
| | | | |
| | | | |
| | | | |
| | | | |
| | | | |



| | | | |
|----|--------------------------|---|--|
| 4 | STK-Q-04051-07 | 8 | M6 x 7mm Stainless Steel Hexagon Socket Head Machine Screw with Nyseal |
| 1 | 885 ESMF2 | 0 | 885 ESMF2 Stainless Steel Mounting Feet Kit |
| 1 | 1412BTSSCU06404DTBA R4-P | 0 | Rounded Edge Copper Bar 3/16" x 1 1/2" |
| 1 | 1412BTSSCU06404DTBA R1-P | 0 | Rounded Edge Copper Bar 3/16" x 1 1/2" |
| 1 | 1412BTSSCU06404DTBA R2-P | 0 | Rounded Edge Copper Bar 3/16" x 1 1/2" |
| 1 | 1412BTSSCU06404DTBA R3-P | 0 | Rounded Edge Copper Bar 3/16" x 1 1/2" |
| 1 | 1412BTSSCU06404DTIP1 | 0 | 1412BTSSCU 19.838" x 47" Inner Panel |
| 12 | STK-A-67400 | 0 | Buss Bar Insulator Kit |
| 1 | STK-K-01800 | 5 | 5412 ES Accessory Kit |
| 18 | STK-Q-07310 | 2 | Flange Lock Nut M8 |
| 6 | STK-Q-07610 | 8 | M8 Plastic Spacer 22.2mm |
| 1 | 1412BTSSCU06404DTB | 0 | 1412BTSSCU 22" x 72" x 8" Body |
| 1 | 1412BTSSCU06404DTC | 0 | 1412BTSSCU 22" x 72" Cover |

| PACKING | | |
|-----------------------|-----|--|
| ITEM | QTY | DESCRIPTION |
| Cardboard sleeve | 2 | Top and Bottom |
| Cardboard strip | 2 | Between back of enclosure and inner panel |
| Plastic bag | 1 | To protect cover surface and inside gasket |
| Cardboard corner | 4 | To reinforced for the plastic strap tightening |
| Plastic strap - Black | 2 | To Squeeze 2 cardboard sleeve together |
| Packaging label | 3 | White label with PN |
| Plastic strap- Green | 2 | To secure the enclosure to the wood pallet |
| Wood Pallet | 1 | 2" deeper and 3" larger than enclosure size |

Tél: (450) 979-4373
Fax: (450) 979-4626
www.exmweb.com

Flatness
Aplatissement
Max 3.0mm

Projection

| | |
|--|-------------------------|
| Customer Client | Date |
| Drawn By Dessiné Par: BoxCad: BoxCad | Date: 11/2/2022 |
| Material Matière: 14 Ga Stainless Steel 304 (1.7mm) | |
| Color Couleur: Unpainted | Finish Fini: Brushed |
| Description 1412BTSSCU 400A - 4Wires x 72" Assembly | |
| Part Number Numéro Pièce: 1412BTSSCU06404DT | Rev. 0 |

| Qty | Part Number | Rev | Description |
|------------|-------------|-----|-------------|
| Parts List | | | |

This drawing is confidential and must not be reproduced or used without the consent of EXM

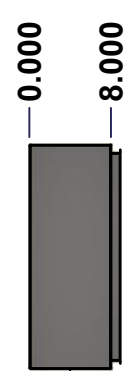
Ce dessin est confidentiel et ne doit pas être reproduit ou utilisé sans le consentement de EXM



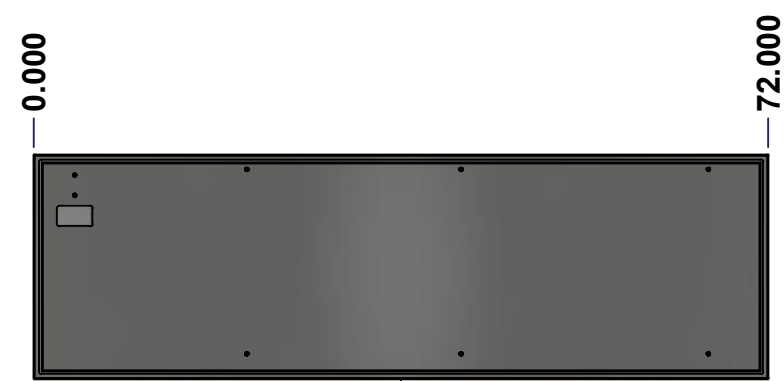
TOP



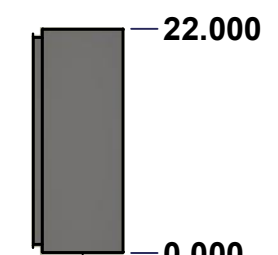
BACK



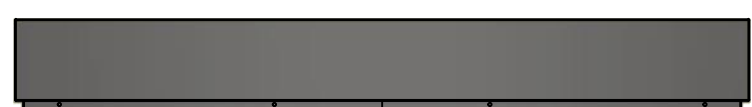
LEFT



FRONT

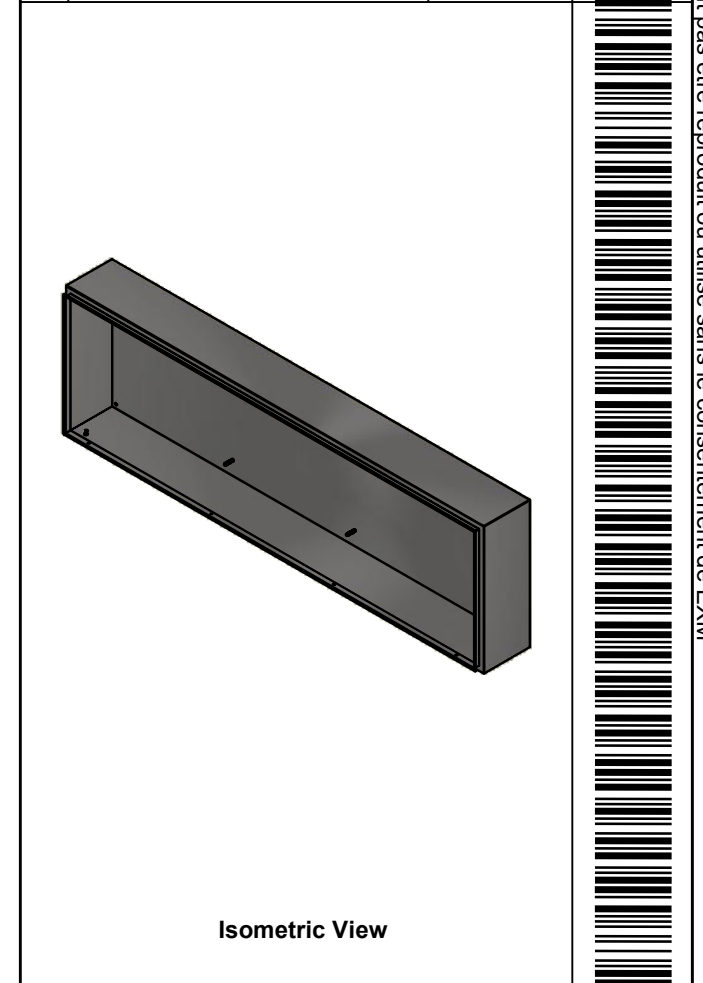


RIGHT




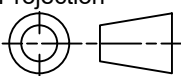
BOTTOM

| No. | Revisions | Date | By/Par |
|-----|-----------|------|--------|
| | | | |
| | | | |
| | | | |
| | | | |
| | | | |



Isometric View



| | | |
|--|-----------------------------------|---|
|  Tél: (450) 979-4373 Fax: (450) 979-4626 www.exmweb.com | | Flatness Aplatissement Max 3.0mm Projection  |
| Customer Client | Date | |
| Drawn By Dessiné Par | BoxCad: BoxCad | Date 11/2/2022 |
| Material Matière | 14 Ga Stainless Steel 304 (1.7mm) | |
| Color Couleur | Unpainted | Finish Fini Brushed |
| Description | Detail Rev. | |
| 1412BTSSCU 22" x 72" x 8" Body | | |
| Part Number Numéro Pièce | Rev. | 4 |
| SEE BILL OF MATERIAL ON LAST PAGE | 1412BTSSCU06404DTB | 0 |

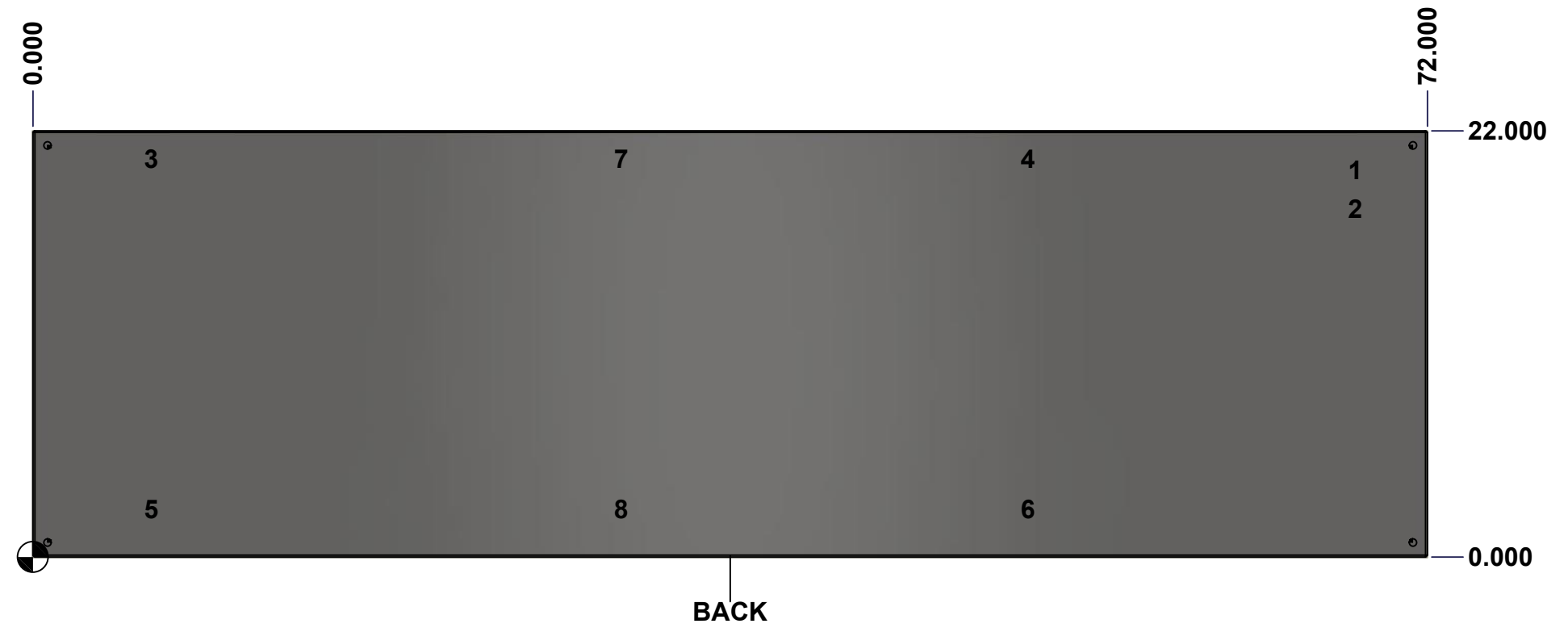
This drawing is confidential and must not be reproduced or used without the consent of Eurobox

Ce dessin est confidentiel et ne doit pas être reproduit ou utilisé sans le consentement de Eurobox

STANDARD FEATURES ARE NOT LISTED IN THIS HOLE TABLE

HOLE TABLE - BACK VIEW (CUSTOM FEATURE ONLY)

| CUT-OUT | XDIM | YDIM | DESCRIPTION |
|---------|--------|--------|-----------------------------|
| 1 | 68.000 | 20.000 | GND STUD M8 x 35mm (Inside) |
| 2 | 68.000 | 18.000 | GND STUD M8 x 35mm (Inside) |
| 3 | 5.875 | 20.563 | IP STUD M8 x 35mm (Inside) |
| 4 | 51.125 | 20.563 | IP STUD M8 x 35mm (Inside) |
| 5 | 5.875 | 2.475 | IP STUD M8 x 35mm (Inside) |
| 6 | 51.125 | 2.475 | IP STUD M8 x 35mm (Inside) |
| 7 | 30.125 | 20.563 | IP STUD M8 x 35mm (Inside) |
| 8 | 30.125 | 2.475 | IP STUD M8 x 35mm (Inside) |

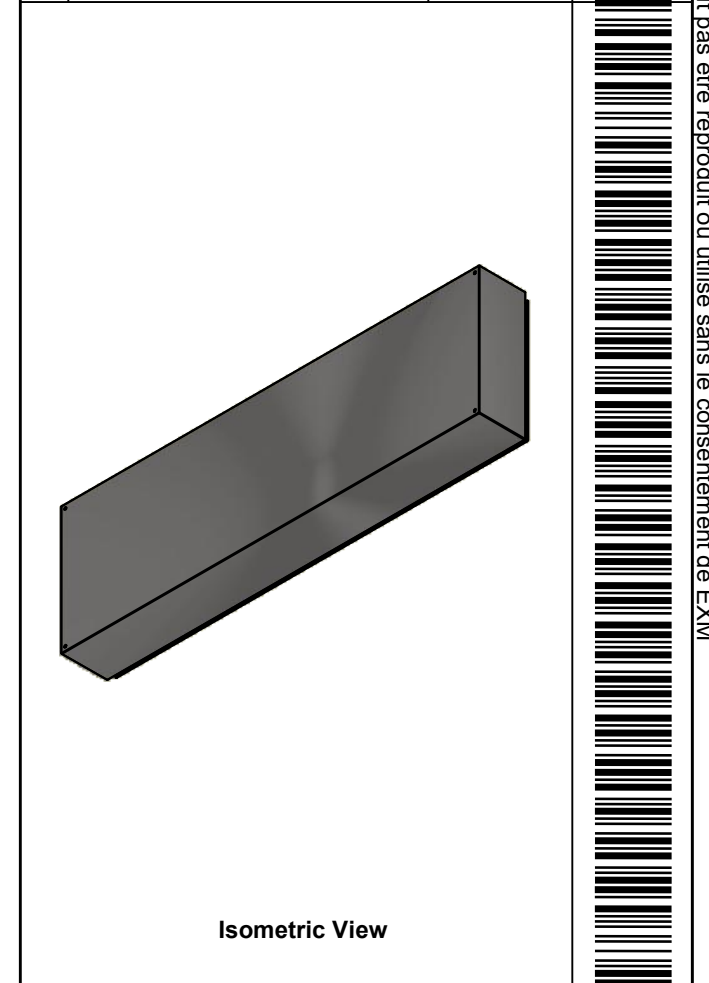


| | | |
|--|--------------------------------|--------------|
| | Description | Status |
| | 1412BTSSCU 22" x 72" x 8" Body | (NULL) |
| | Part Number Numéro Pièce | Rev. |
| | 1412BTSSCU06404DTB | 0 / 5 |
| | | 15 |


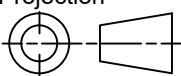
This drawing is confidential and must not be reproduced or used without the consent of EXM

Ce dessin est confidentiel et ne doit pas être reproduit ou utilisé sans le consentement de EXM

| No. | Revisions | Date | By/Par |
|-----|-----------|------|--------|
| | | | |
| | | | |
| | | | |
| | | | |
| | | | |



Isometric View

| | | |
|--|------------------------|---|
|  Tél: (450) 979-4373 Fax: (450) 979-4626 www.exmweb.com | | Flatness Aplatissement Max 3.0mm |
| Customer Client | | Projection  |
| Drawn By / Dessiné Par: BoxCad: BoxCad | | Date: 11/2/2022 |
| Material / Matière: 14 Ga Stainless Steel 304 (1.7mm) | | |
| Color / Couleur: Unpainted | Finish / Fini: Brushed | |
| Description: 1412BTSSCU 22" x 72" x 8" Body | | Detail Rev. |
| Part Number / Numéro Pièce: 1412BTSSCU06404DTB | | Rev. 6 0 |

| Qty | Part Number | Rev | Description |
|------------|----------------------|-----|--|
| 8 | STK-Q-16020 | 1 | Stud M8 x 35mm Stainless Steel |
| 1 | STK-Q-16095 | 0 | M6 x 16mm Stainless Steel Ground Stud |
| 1 | STK-S-00100 | 0 | 3.5" x 2" Silver Milar Flexcon Sticker |
| 1 | 1412BTSSCU06404DTB-P | 0 | 1412BTSSCU 22" x 72" x 8" Body Part |
| Parts List | | | |

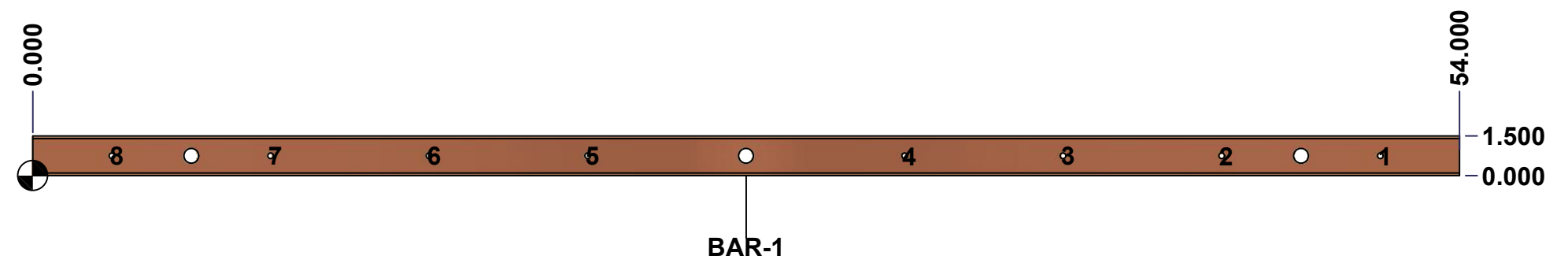
This drawing is confidential and must not be reproduced or used without the consent of Eurobox

Ce dessin est confidentiel et ne doit pas être reproduit ou utilisé sans le consentement de Eurobox

STANDARD FEATURES ARE NOT LISTED IN THIS HOLE TABLE

HOLE TABLE - FRONT VIEW (CUSTOM FEATURE ONLY)

| CUT-OUT | XDIM | YDIM | DESCRIPTION |
|---------|--------|-------|------------------------------|
| 1 | 51.000 | 0.750 | RND Ø0.201 THREAD 1/4-20 UNC |
| 2 | 45.000 | 0.750 | RND Ø0.201 THREAD 1/4-20 UNC |
| 3 | 39.000 | 0.750 | RND Ø0.201 THREAD 1/4-20 UNC |
| 4 | 33.000 | 0.750 | RND Ø0.201 THREAD 1/4-20 UNC |
| 5 | 21.000 | 0.750 | RND Ø0.201 THREAD 1/4-20 UNC |
| 6 | 15.000 | 0.750 | RND Ø0.201 THREAD 1/4-20 UNC |
| 7 | 9.000 | 0.750 | RND Ø0.201 THREAD 1/4-20 UNC |
| 8 | 3.000 | 0.750 | RND Ø0.201 THREAD 1/4-20 UNC |



| | | |
|--|--|--------|
| | Description | Status |
| | Rounded Edge Copper Bar 3/16" x 1 1/2" | (NULL) |
| | Part Number Numéro Pièce | Rev. |
| | 1412BTSSCU06404DTBAR1-P 0 | 7 |
| | | 15 |

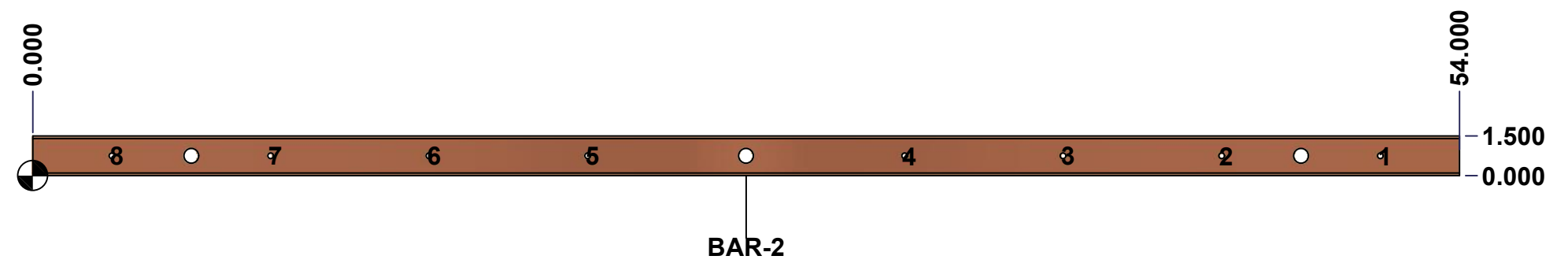
This drawing is confidential and must not be reproduced or used without the consent of Eurobox

Ce dessin est confidentiel et ne doit pas être reproduit ou utilisé sans le consentement de Eurobox

STANDARD FEATURES ARE NOT LISTED IN THIS HOLE TABLE

HOLE TABLE - FRONT VIEW (CUSTOM FEATURE ONLY)

| CUT-OUT | XDIM | YDIM | DESCRIPTION |
|---------|--------|-------|------------------------------|
| 1 | 51.000 | 0.750 | RND Ø0.201 THREAD 1/4-20 UNC |
| 2 | 45.000 | 0.750 | RND Ø0.201 THREAD 1/4-20 UNC |
| 3 | 39.000 | 0.750 | RND Ø0.201 THREAD 1/4-20 UNC |
| 4 | 33.000 | 0.750 | RND Ø0.201 THREAD 1/4-20 UNC |
| 5 | 21.000 | 0.750 | RND Ø0.201 THREAD 1/4-20 UNC |
| 6 | 15.000 | 0.750 | RND Ø0.201 THREAD 1/4-20 UNC |
| 7 | 9.000 | 0.750 | RND Ø0.201 THREAD 1/4-20 UNC |
| 8 | 3.000 | 0.750 | RND Ø0.201 THREAD 1/4-20 UNC |



| | | |
|--|--|--------|
| | Description | Status |
| | Rounded Edge Copper Bar 3/16" x 1 1/2" | (NULL) |
| | Part Number Numéro Pièce | Rev. |
| | 1412BTSSCU06404DTBAR2-P 0 | 8 |
| | | 15 |

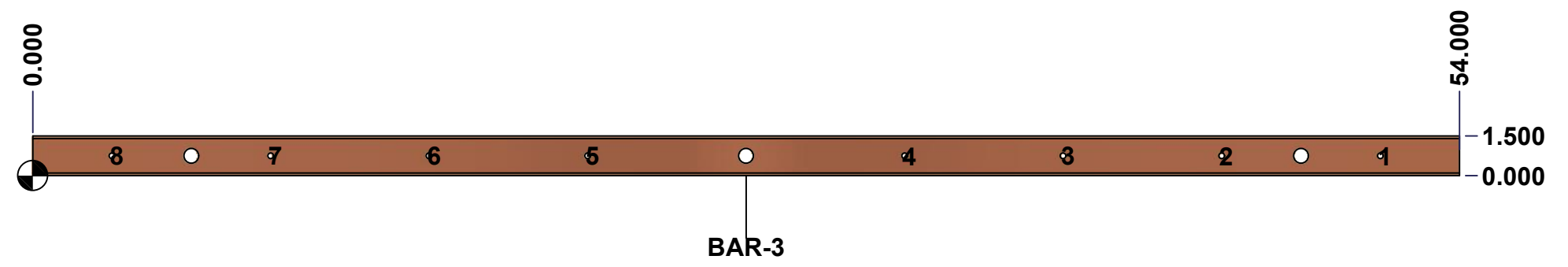
This drawing is confidential and must not be reproduced or used without the consent of Eurobox

Ce dessin est confidentiel et ne doit pas être reproduit ou utilisé sans le consentement de Eurobox

STANDARD FEATURES ARE NOT LISTED IN THIS HOLE TABLE

HOLE TABLE - FRONT VIEW (CUSTOM FEATURE ONLY)

| CUT-OUT | XDIM | YDIM | DESCRIPTION |
|---------|--------|-------|------------------------------|
| 1 | 51.000 | 0.750 | RND Ø0.201 THREAD 1/4-20 UNC |
| 2 | 45.000 | 0.750 | RND Ø0.201 THREAD 1/4-20 UNC |
| 3 | 39.000 | 0.750 | RND Ø0.201 THREAD 1/4-20 UNC |
| 4 | 33.000 | 0.750 | RND Ø0.201 THREAD 1/4-20 UNC |
| 5 | 21.000 | 0.750 | RND Ø0.201 THREAD 1/4-20 UNC |
| 6 | 15.000 | 0.750 | RND Ø0.201 THREAD 1/4-20 UNC |
| 7 | 9.000 | 0.750 | RND Ø0.201 THREAD 1/4-20 UNC |
| 8 | 3.000 | 0.750 | RND Ø0.201 THREAD 1/4-20 UNC |



| | | |
|--|--|--------|
| | Description | Status |
| | Rounded Edge Copper Bar 3/16" x 1 1/2" | (NULL) |
| | Part Number Numéro Pièce | Rev. |
| | 1412BTSSCU06404DTBAR3-P 0 | 9 |
| | | 15 |

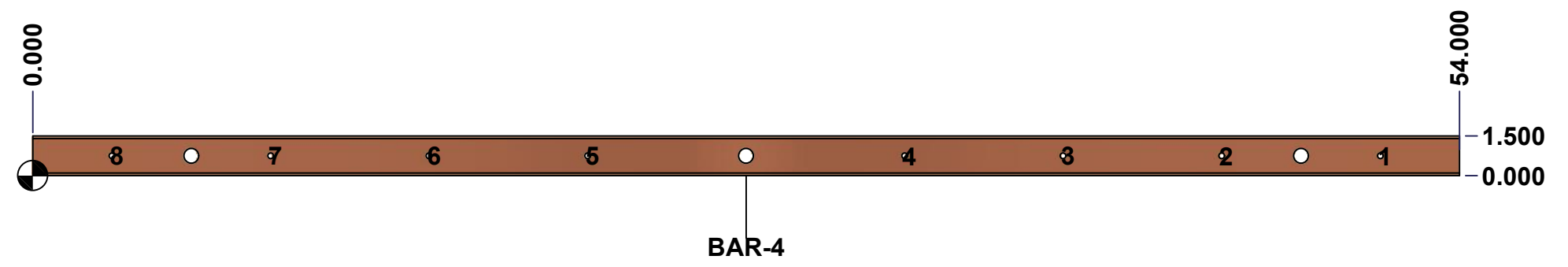
This drawing is confidential and must not be reproduced or used without the consent of Eurobox

Ce dessin est confidentiel et ne doit pas être reproduit ou utilisé sans le consentement de Eurobox

STANDARD FEATURES ARE NOT LISTED IN THIS HOLE TABLE

HOLE TABLE - FRONT VIEW (CUSTOM FEATURE ONLY)

| CUT-OUT | XDIM | YDIM | DESCRIPTION |
|---------|--------|-------|------------------------------|
| 1 | 51.000 | 0.750 | RND Ø0.201 THREAD 1/4-20 UNC |
| 2 | 45.000 | 0.750 | RND Ø0.201 THREAD 1/4-20 UNC |
| 3 | 39.000 | 0.750 | RND Ø0.201 THREAD 1/4-20 UNC |
| 4 | 33.000 | 0.750 | RND Ø0.201 THREAD 1/4-20 UNC |
| 5 | 21.000 | 0.750 | RND Ø0.201 THREAD 1/4-20 UNC |
| 6 | 15.000 | 0.750 | RND Ø0.201 THREAD 1/4-20 UNC |
| 7 | 9.000 | 0.750 | RND Ø0.201 THREAD 1/4-20 UNC |
| 8 | 3.000 | 0.750 | RND Ø0.201 THREAD 1/4-20 UNC |



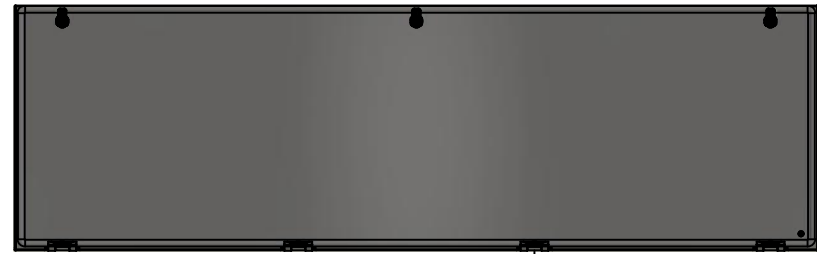
| | | | |
|--|--|--------|----|
| | Description | Status | |
| | Rounded Edge Copper Bar 3/16" x 1 1/2" | (NULL) | |
| | Part Number Numéro Pièce | Rev. | 10 |
| | 1412BTSSCU06404DTBAR4-P 0 | | 15 |

This drawing is confidential and must not be reproduced or used without the consent of EXM

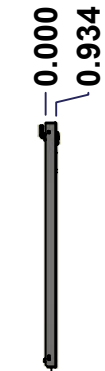
Ce dessin est confidentiel et ne doit pas être reproduit ou utilisé sans le consentement de EXM



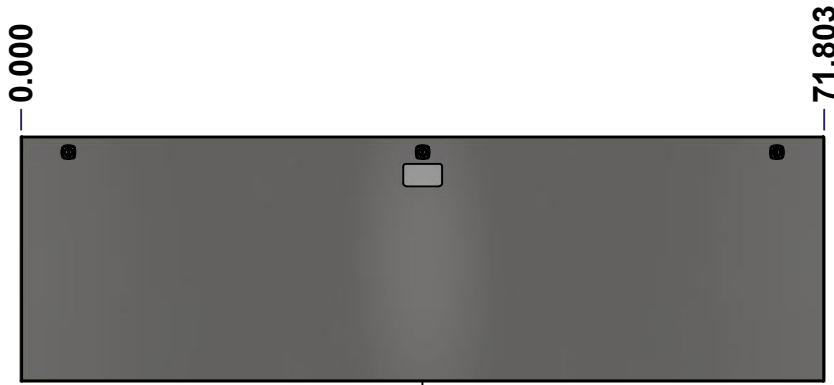
TOP



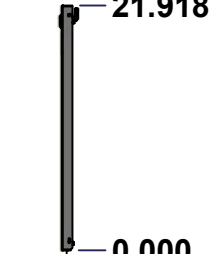
BACK



LEFT



FRONT

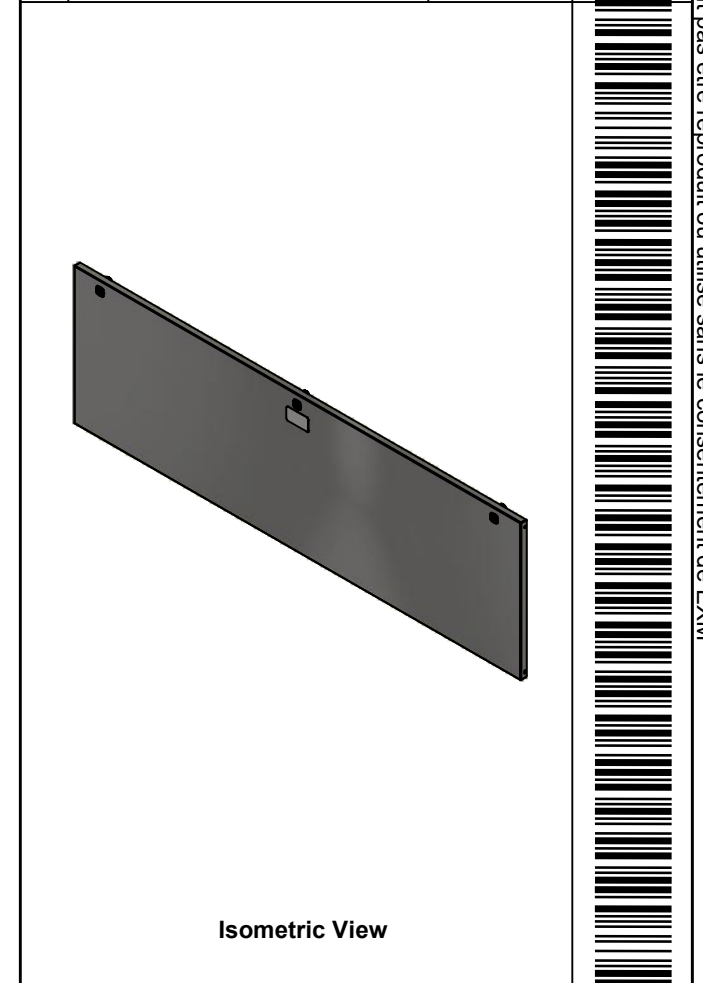



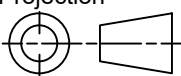
RIGHT



BOTTOM

| No. | Revisions | Date | By/Par |
|-----|-----------|------|--------|
| | | | |
| | | | |
| | | | |
| | | | |

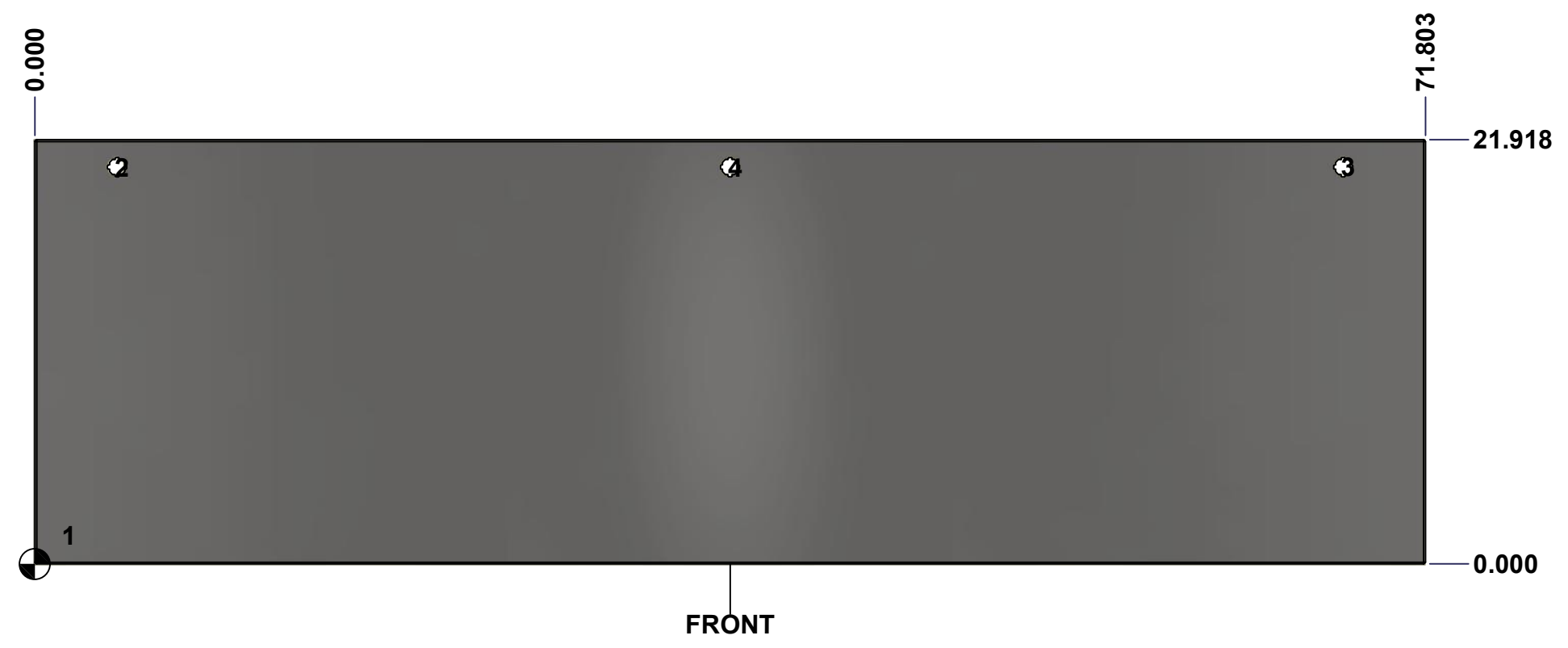


| | | |
|--|-----------------------------------|---|
|  Tél: (450) 979-4373 Fax: (450) 979-4626 www.exmweb.com | | Flatness Aplatissement Max 3.0mm Projection  |
| Customer Client | Date | |
| Drawn By Dessiné Par | BoxCad: BoxCad | Date 11/2/2022 |
| Material Matière | 14 Ga Stainless Steel 304 (1.7mm) | |
| Color Couleur | Unpainted | Finish Fini Brushed |
| Description | Detail Rev. | |
| 1412BTSSCU 22" x 72" Cover | | |
| Part Number Numéro Pièce | Rev. | 11 |
| SEE BILL OF MATERIAL ON LAST PAGE 1412BTSSCU06404DTC | 0 | 15 |

This drawing is confidential and must not be reproduced or used without the consent of Eurobox

Ce dessin est confidentiel et ne doit pas être reproduit ou utilisé sans le consentement de Eurobox

| STANDARD FEATURES ARE NOT LISTED IN THIS HOLE TABLE | | | |
|---|--------|--------|-----------------------------|
| HOLE TABLE - FRONT VIEW (CUSTOM FEATURE ONLY) | | | |
| CUT-OUT | XDIM | YDIM | DESCRIPTION |
| 1 | 1.500 | 1.486 | GND STUD M6 x 16mm (Inside) |
| 2 | 4.250 | 20.494 | LOCK 880 SCQ4-SLSS6 @ 90.0° |
| 3 | 67.553 | 20.494 | LOCK 880 SCQ4-SLSS6 @ 90.0° |
| 4 | 35.902 | 20.494 | LOCK 880 SCQ4-SLSS6 @ 90.0° |

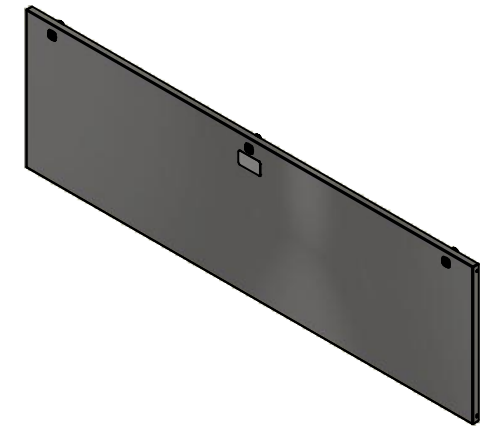


| | | | | |
|-----------------------------|----------------------------|------|--------|--|
| | Description | | Status | |
| | 1412BTSSCU 22" x 72" Cover | | (NULL) | |
| Part Number Numéro Pièce | | Rev. | 12 | |
| 1412BTSSCU06404DTC | | 0 | 15 | |

This drawing is confidential and must not be reproduced or used without the consent of EXM

Ce dessin est confidentiel et ne doit pas être reproduit ou utilisé sans le consentement de EXM

| No. | Revisions | Date | By/Par |
|-----|-----------|------|--------|
| | | | |
| | | | |
| | | | |
| | | | |
| | | | |



Isometric View

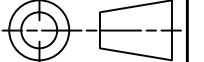


Tél: (450) 979-4373
 Fax: (450) 979-4626
www.exmweb.com

Flatness
Aplatissement

Max 3.0mm

Projection



| | |
|---|-----------------|
| Customer Client | Date |
| Drawn By / Dessiné Par: BoxCad: BoxCad | Date: 11/2/2022 |
| Material / Matière: 14 Ga Stainless Steel 304 (1.7mm) | |

| | |
|----------------------------|------------------------|
| Color / Couleur: Unpainted | Finish / Fini: Brushed |
|----------------------------|------------------------|

| | |
|---|-------------|
| Description: 1412BTSSCU 22" x 72" Cover | Detail Rev. |
|---|-------------|

| | | |
|---|------------------------|----|
| Part Number / Numéro Pièce: 1412BTSSCU06404DTC | Rev. / Révis: 0 | 13 |
| | | 15 |

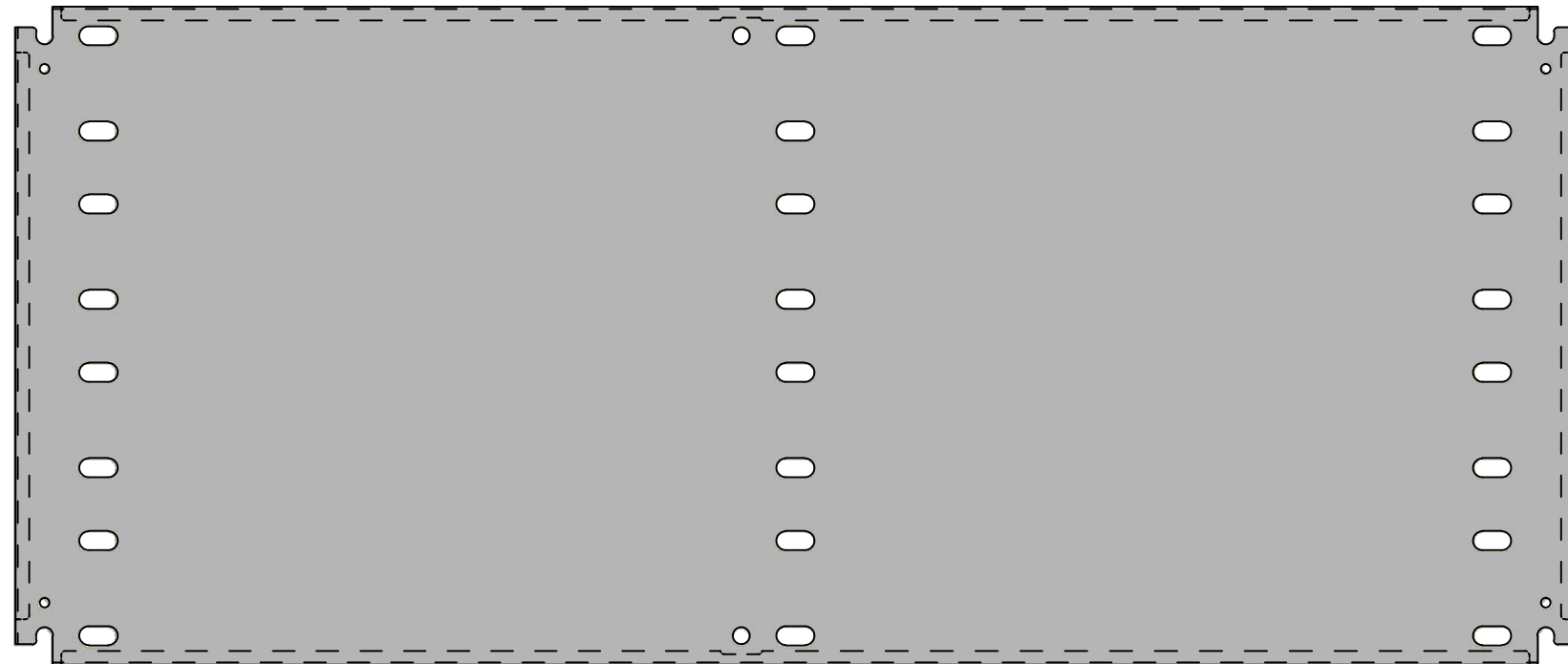
| Qty | Part Name | Rev | Description |
|------------|----------------------|-----|--|
| 1 | 1412BTSSCU06404DTG | 0 | 1412BTSSCU 22" x 72" Cover Gasket |
| 4 | STK-K-09850 | 6 | 5412 ESS Hinge with 2 Captive Hinge Pins |
| 1 | STK-Q-16095 | 0 | M6 x 16mm Stainless Steel Ground Stud |
| 1 | STK-S-00100 | 0 | 3.5" x 2" Silver Milar Flexcon Sticker |
| 1 | 1412BTSSCU06404DTC-P | 0 | 1412BTSSCU 22" x 72" Cover Part |
| 3 | 880 SCQ4-SLSS6 | 7 | 5412 ESS 1/4 Turn Lock |
| Parts List | | | |

This drawing is confidential and must not be reproduced or used without the consent of EXM

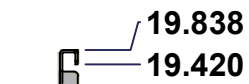
Ce dessin est confidentiel et ne doit pas être reproduit ou utilisé sans le consentement de EXM



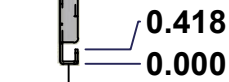
TOP



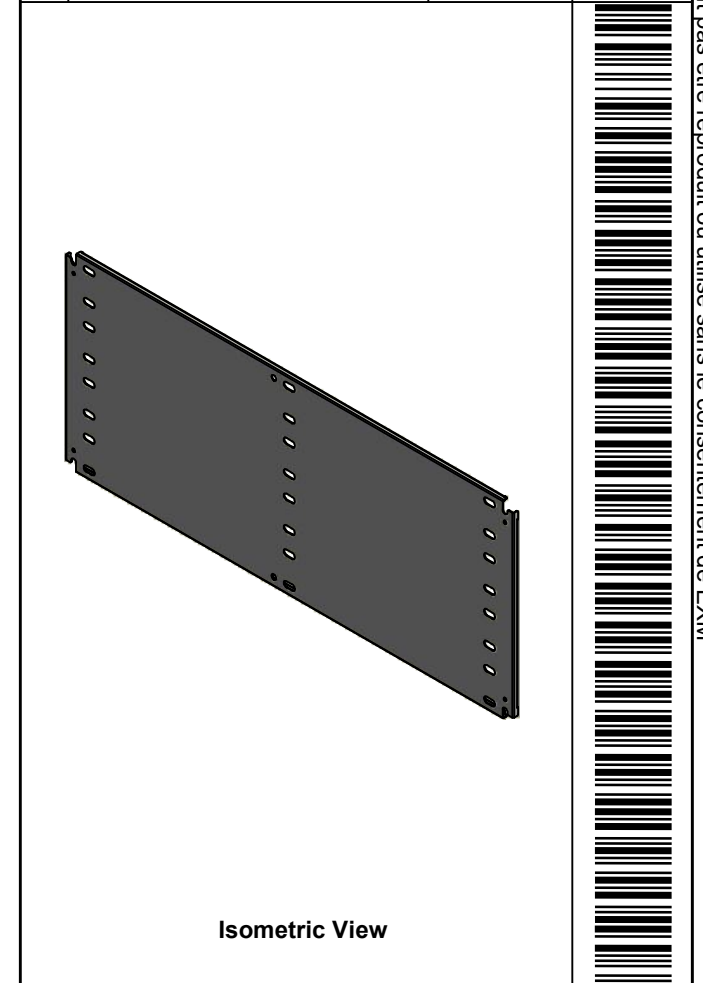
FRONT



RIGHT



| No. | Revisions | Date | By/Par |
|-----|-----------|------|--------|
| | | | |
| | | | |
| | | | |
| | | | |
| | | | |



Isometric View


 Tél: (450) 979-4373
 Fax: (450) 979-4626
www.exmweb.com

Flatness / Aplatissement: Max 3.0mm
 Projection: 

| | |
|--|-----------------|
| Customer Client | Date |
| Drawn By / Dessiné Par: BoxCad: BoxCad | Date: 11/2/2022 |

Material / Matière: 14 Ga Cold Rolled A1008 CS Type B (1.7mm)

| | |
|--------------------------------|-----------------------|
| Color / Couleur: White RAL9003 | Finish / Fini: Smooth |
|--------------------------------|-----------------------|

Description: 1412BTSSCU 19.838" x 47" Inner Panel

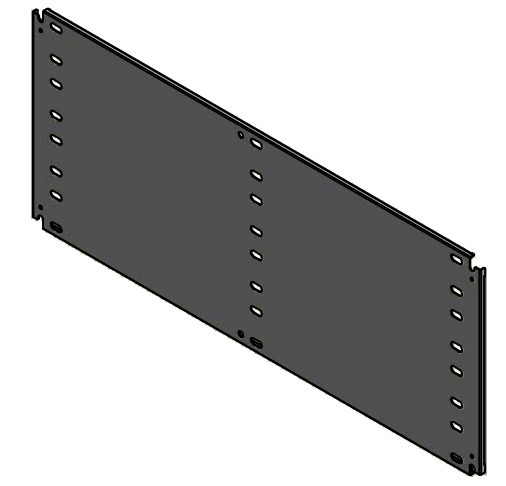
| | | | |
|--|--------|----|----|
| Part Number / Numéro Pièce: 1412BTSSCU06404DTIP1 | Rev. 0 | 14 | 15 |
|--|--------|----|----|

SEE BILL OF MATERIAL ON LAST PAGE

This drawing is confidential and must not be reproduced or used without the consent of EXM


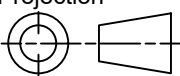
Ce dessin est confidentiel et ne doit pas être reproduit ou utilisé sans le consentement de EXM

| No. | Revisions | Date | By/Par |
|-----|-----------|------|--------|
| | | | |
| | | | |
| | | | |
| | | | |
| | | | |



Isometric View



| | |
|--|---|
|  Tél: (450) 979-4373 Fax: (450) 979-4626 www.exmweb.com | Flatness Aplatissement Max 3.0mm |
| | Projection  |
| Customer Client | Date |
| Drawn By Dessiné Par BoxCad: BoxCad | Date 11/2/2022 |
| Material Matière 14 Ga Cold Rolled A1008 CS Type B (1.7mm) | |
| Color Couleur White RAL9003 | Finish Fini Smooth |
| Description 1412BTSSCU 19.838" x 47" Inner Panel | |
| Part Number Numéro Pièce 1412BTSSCU06404DTIP1 | Rev. 15 0 |

| Qty | Part Number | Rev | Description |
|------------|------------------------|-----|---|
| 1 | STK-P-02401S | 0 | Powder Paint (White / Smooth) |
| 1 | 1412BTSSCU06404DTIP1-P | 0 | 1412BTSSCU 19.838" x 72" Inner Panel Part |
| Parts List | | | |