

This drawing is confidential and must not be reproduced or used without the consent of EXM

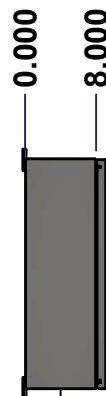
Ce dessin est confidentiel et ne doit pas être reproduit ou utilisé sans le consentement de EXM



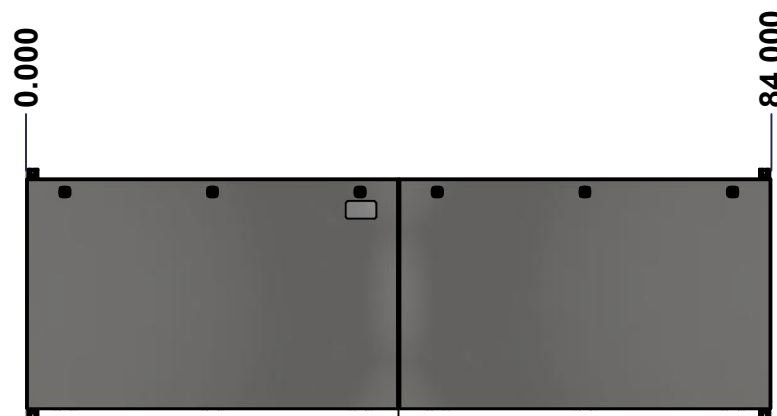
TOP



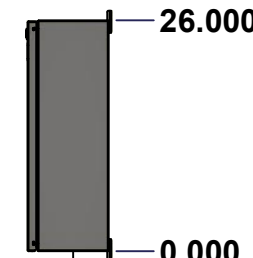
LEFT



LEFT



FRONT

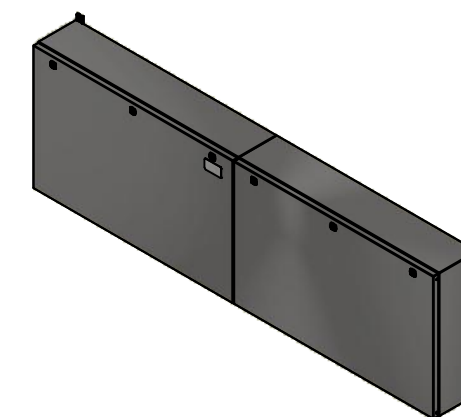


RIGHT

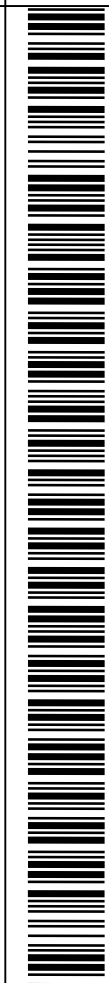


BOTTOM

No.	Revisions	Date	By/Par



Isometric View



Tél: (450) 979-4373
 Fax: (450) 979-4626
www.exmweb.com

Flatness
Aplatissement
Max 3.0mm
Projection

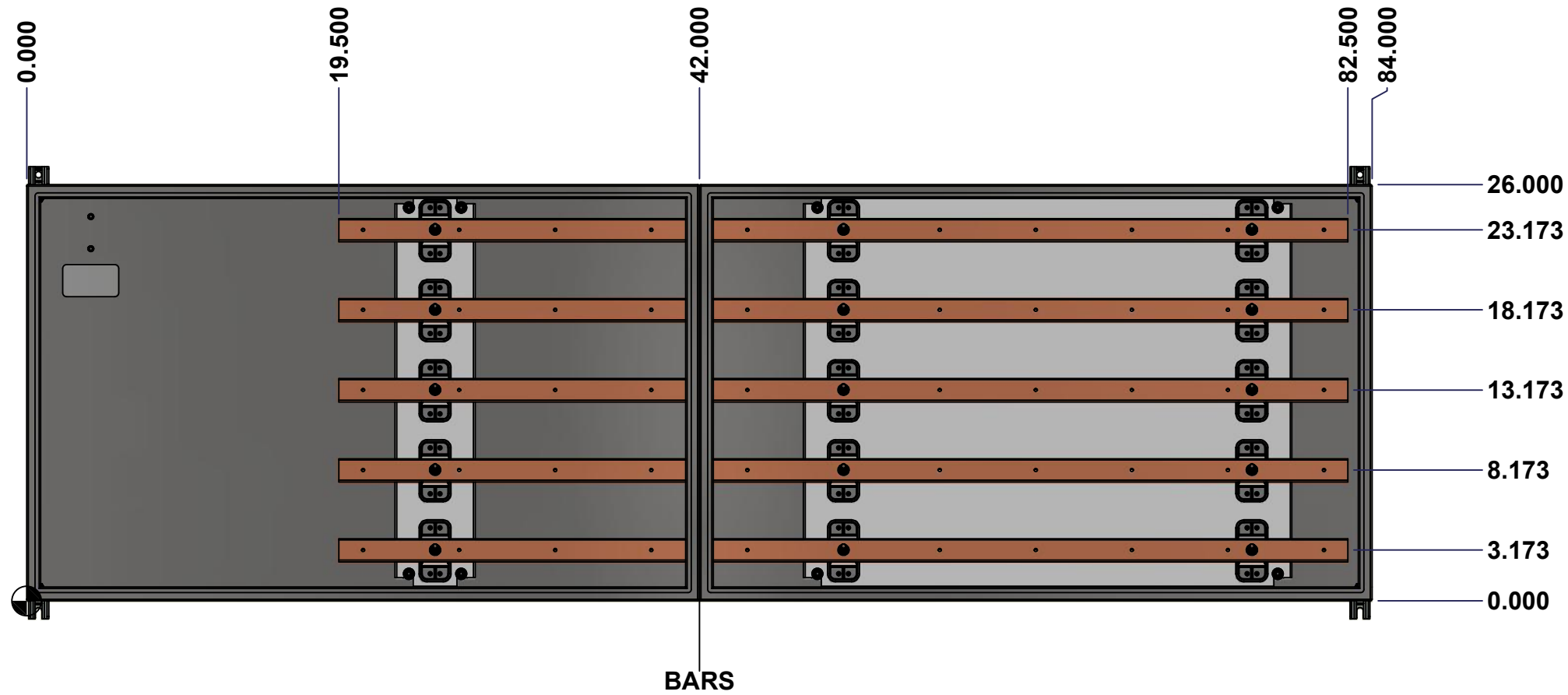
Customer Client	Date
Drawn By Dessiné Par BoxCad: BoxCad	Date 02-Nov-22
Material Matière 14 Ga Stainless Steel 304 (1.7mm)	
Color Couleur Unpainted	Finish Fini Brushed
Description 1412BTSSCU 400A - 5Wires x 84" Assembly	Detail Rev.
Part Number Numéro Pièce 1412BTSSCU07405DT	Rev. 0

SEE BILL OF MATERIAL ON LAST PAGE

This drawing is confidential and must not be reproduced or used without the consent of Eurobex

STANDARD FEATURES ARE NOT LISTED IN THIS HOLE TABLE

Ce dessin est confidentiel et ne doit pas être reproduit ou utilisé sans le consentement de Eurobex



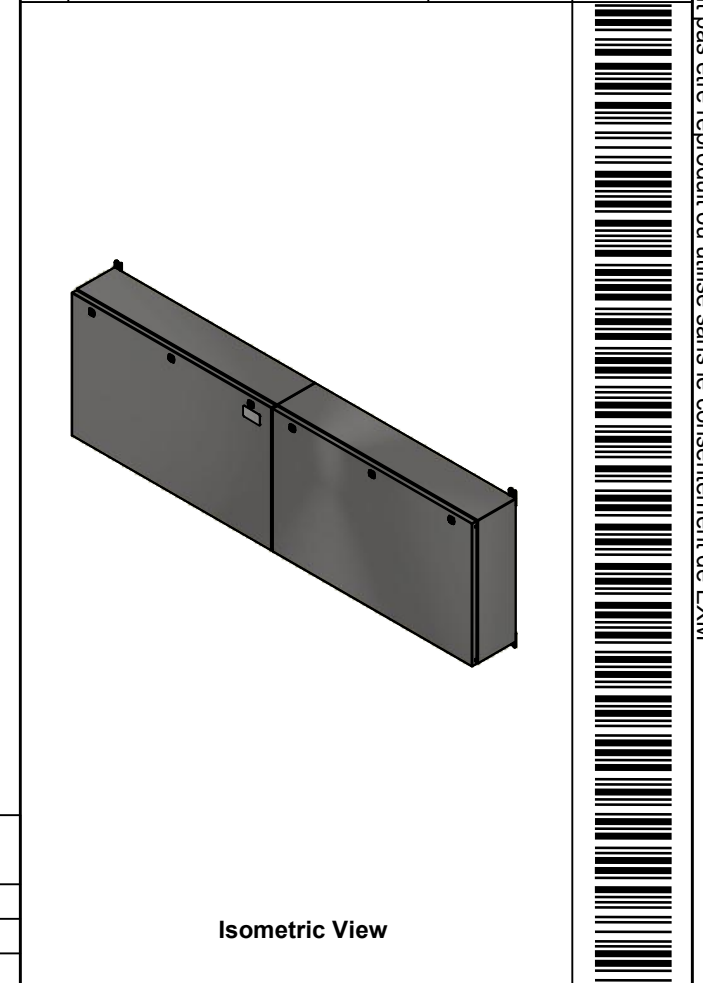
	Description 1412BTSSCU 400A - 5Wires x 84" Assembly		Status (NULL)
	Part Number Numéro Pièce 1412BTSSCU07405DT		Rev. 2 0 / 18

This drawing is confidential and must not be reproduced or used without the consent of EXM

Ce dessin est confidentiel et ne doit pas être reproduit ou utilisé sans le consentement de EXM

NOTE	
ITEM	DESCRIPTION
1	NEMA 4X Enclosure
2	C/W Standard ground studs on box and cover
3	W/O Standard door stiffener
4	C/W Special inner panel (Sold separately)
5	C/W Standard inner panel mounting studs

No.	Revisions	Date	By/Par



6	STK-Q-04051-07	8	M6 x 7mm Stainless Steel Hexagon Socket Head Machine Screw with Nyseal
1	885 ESMF2	0	885 ESMF2 Stainless Steel Mounting Feet Kit
1	1412BTSSCU07405DTIP2	0	1412BTSSCU 24.625" x 28" Right Inner Panel
1	1412BTSSCU07405DTBA R1-P	0	Rounded Edge Copper Bar 3/16" x 1 1/2"
1	1412BTSSCU07405DTBA R2-P	0	Rounded Edge Copper Bar 3/16" x 1 1/2"
1	1412BTSSCU07405DTBA R3-P	0	Rounded Edge Copper Bar 3/16" x 1 1/2"
1	1412BTSSCU07405DTBA R4-P	0	Rounded Edge Copper Bar 3/16" x 1 1/2"
1	1412BTSSCU07405DTBA R5-P	0	Rounded Edge Copper Bar 3/16" x 1 1/2"
1	1412BTSSCU07405DTIP1	0	1412BTSSCU 24.625" x 56" Inner Panel
15	STK-A-67400	0	Buss Bar Insulator Kit
1	STK-K-01800	5	5412 ES Accessory Kit
23	STK-Q-07310	2	Flange Lock Nut M8
8	STK-Q-07610	8	M8 Plastic Spacer 22.2mm
1	1412BTSSCU07405DTB	0	1412BTSSCU 26" x 84" x 8" Body
1	1412BTSSCU07405DTC	0	1412BTSSCU 26" x 84" Cover
Qty	Part Number	Rev	Description
Parts List			

PACKING		
ITEM	QTY	DESCRIPTION
Cardboard sleeve	2	Top and Bottom
Cardboard strip	2	Between back of enclosure and inner panel
Plastic bag	1	To protect cover surface and inside gasket
Cardboard corner	4	To reinforced for the plastic strap tightening
Plastic strap - Black	2	To Squeeze 2 cardboard sleeve together
Packaging label	3	White label with PN
Plastic strap- Green	2	To secure the enclosure to the wood pallet
Wood Pallet	1	2" deeper and 3" larger than enclosure size

Tél: (450) 979-4373
Fax: (450) 979-4626
www.exmweb.com

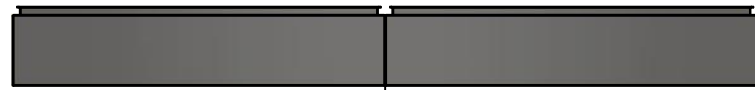
Flatness
Aplatissement
Max 3.0mm

Projection

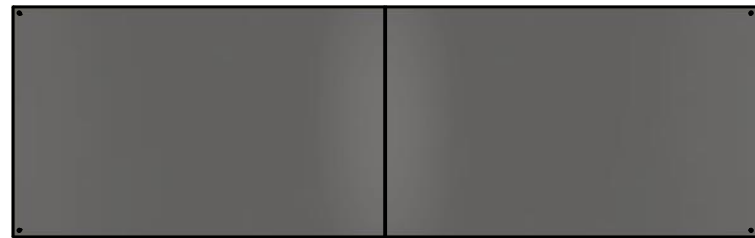
Customer Client	Date
Drawn By Dessiné Par BoxCad: BoxCad	Date 02-Nov-22
Material Matière 14 Ga Stainless Steel 304 (1.7mm)	
Color Couleur Unpainted	Finish Fini Brushed
Description 1412BTSSCU 400A - 5Wires x 84" Assembly	Detail Rev.
Part Number Numéro Pièce 1412BTSSCU07405DT	Rev. 0

This drawing is confidential and must not be reproduced or used without the consent of EXM

Ce dessin est confidentiel et ne doit pas être reproduit ou utilisé sans le consentement de EXM



TOP



BACK



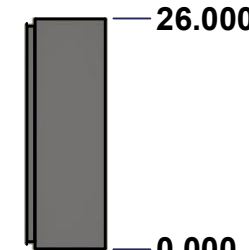
BOTTOM



LEFT

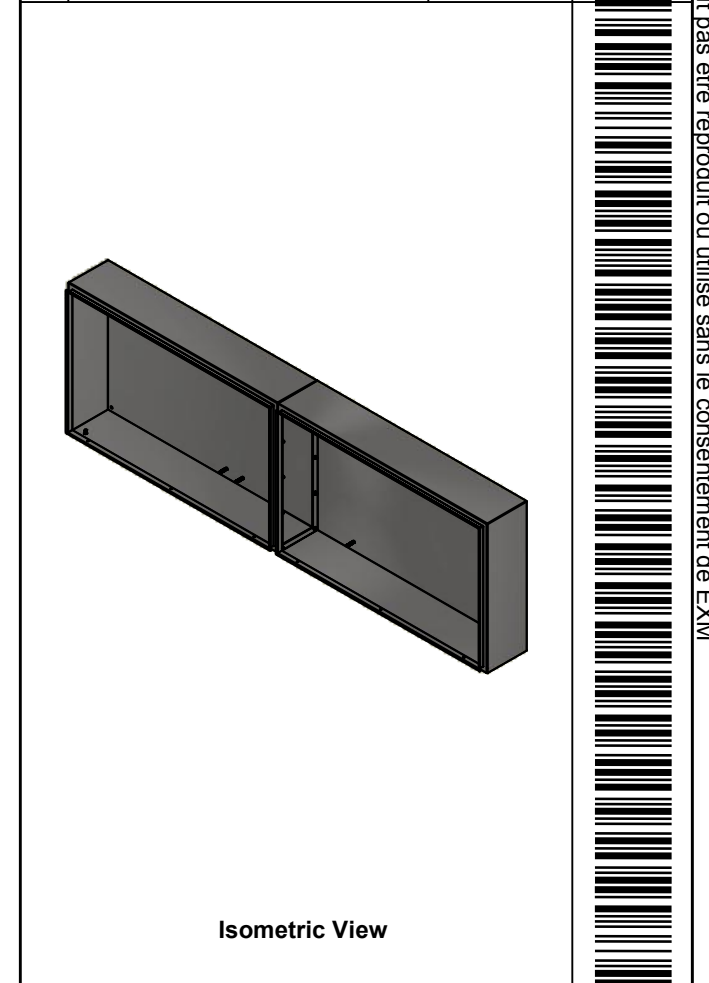


FRONT




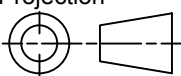
RIGHT

No.	Revisions	Date	By/Par



Isometric View



 Tél: (450) 979-4373 Fax: (450) 979-4626 www.exmweb.com		Flatness Aplatissement Max 3.0mm Projection 
Customer Client	Date	
Drawn By Dessiné Par	BoxCad: BoxCad	Date 02-Nov-22
Material Matière	14 Ga Stainless Steel 304 (1.7mm)	
Color Couleur	Unpainted	Finish Fini Brushed
Description	Detail Rev.	
1412BTSSCU 26" x 84" x 8" Body		
Part Number Numéro Pièce	Rev.	4
1412BTSSCU07405DTB	0	18

SEE BILL OF MATERIAL ON LAST PAGE

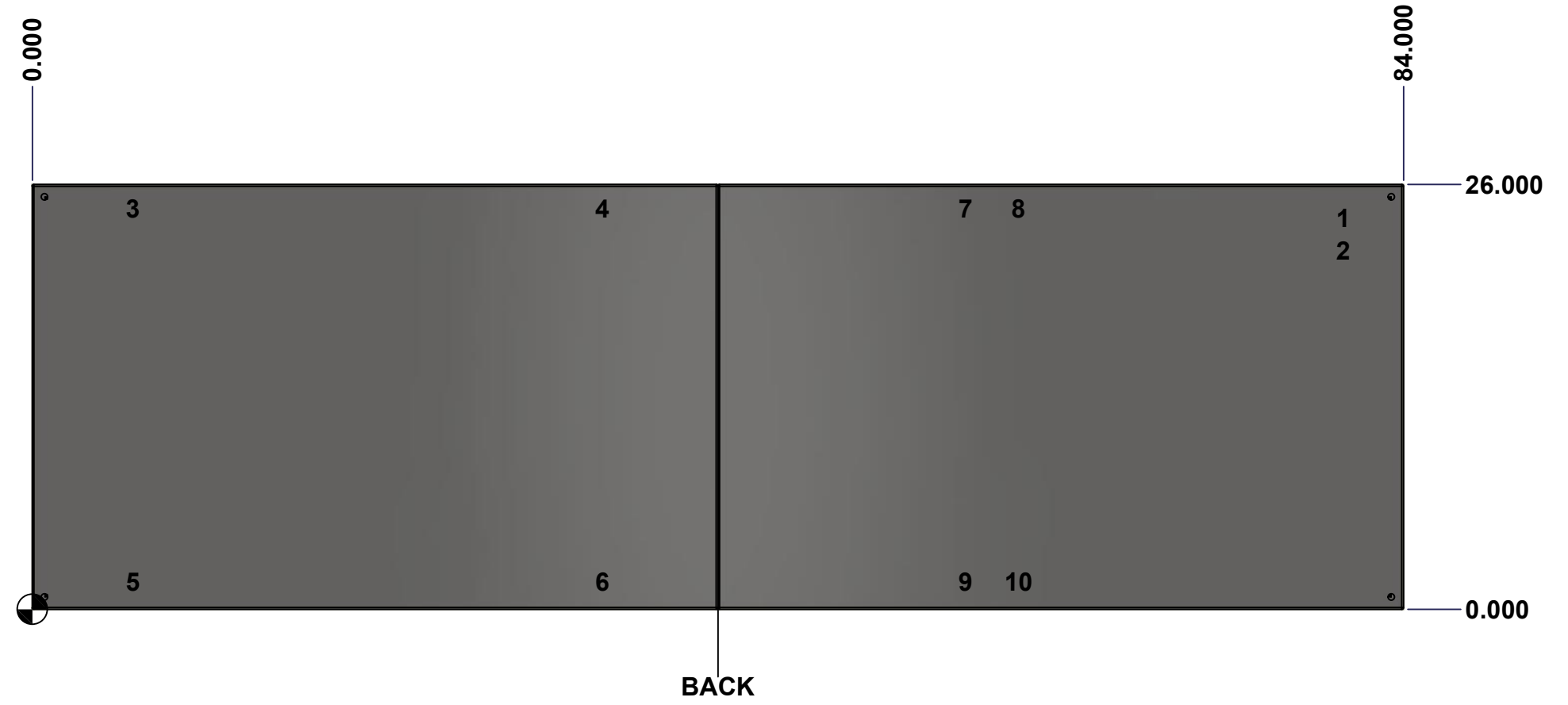
This drawing is confidential and must not be reproduced or used without the consent of Eurobox

Ce dessin est confidentiel et ne doit pas être reproduit ou utilisé sans le consentement de Eurobox

STANDARD FEATURES ARE NOT LISTED IN THIS HOLE TABLE

HOLE TABLE - BACK VIEW (CUSTOM FEATURE ONLY)

CUT-OUT	XDIM	YDIM	DESCRIPTION
1	80.000	24.000	GND STUD M8 x 35mm (Inside)
2	80.000	22.000	GND STUD M8 x 35mm (Inside)
3	5.875	24.563	IP STUD M8 x 35mm (Inside)
4	34.625	24.563	IP STUD M8 x 35mm (Inside)
5	5.875	1.688	IP STUD M8 x 35mm (Inside)
6	34.625	1.688	IP STUD M8 x 35mm (Inside)
7	56.875	24.563	IP STUD M8 x 35mm (Inside)
8	60.125	24.563	IP STUD M8 x 35mm (Inside)
9	56.875	1.688	IP STUD M8 x 35mm (Inside)
10	60.125	1.688	IP STUD M8 x 35mm (Inside)

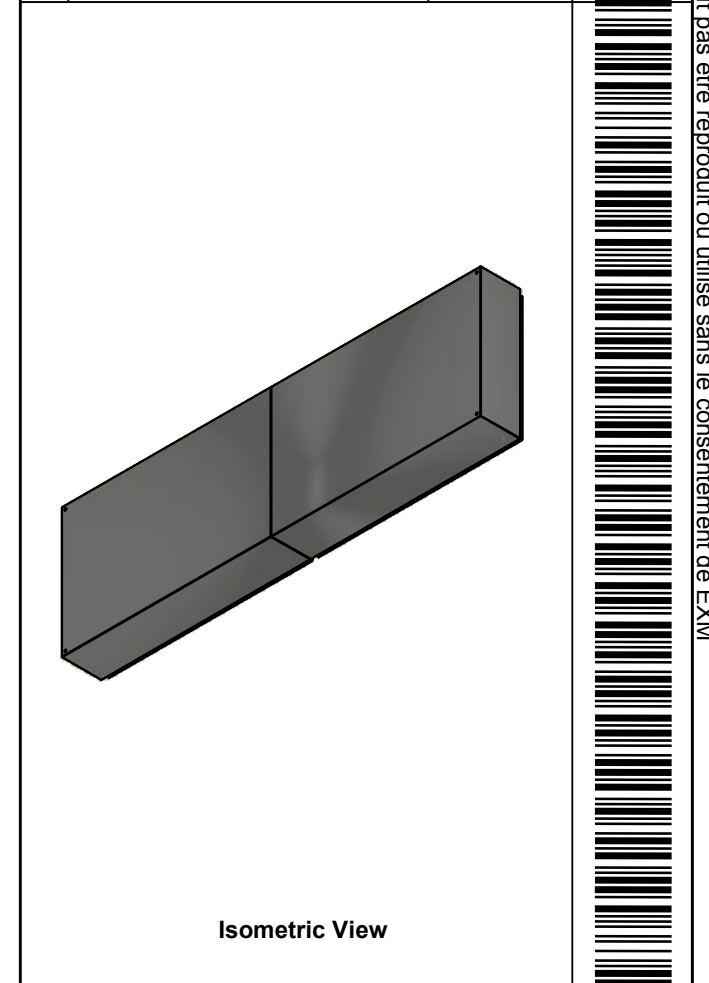


	Description	Status	
	1412BTSSCU 26" x 84" x 8" Body	(NULL)	
	Part Number Numéro Pièce	Rev.	5
	1412BTSSCU07405DTB	0	18

This drawing is confidential and must not be reproduced or used without the consent of EXM

Ce dessin est confidentiel et ne doit pas être reproduit ou utilisé sans le consentement de EXM

No.	Revisions	Date	By/Par




 Tél: (450) 979-4373
 Fax: (450) 979-4626
www.exmweb.com

Flatness / Aplatissement: Max 3.0mm
 Projection: 

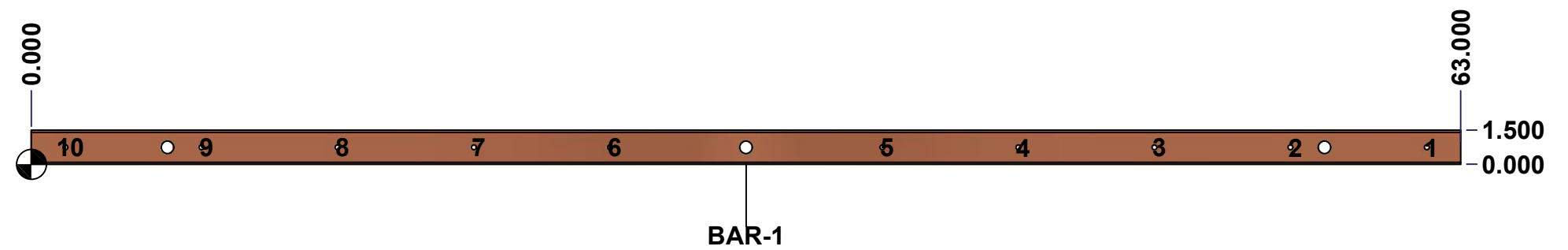
Qty	Part Number	Rev	Description
1	1412BTSSCU07405DTB-P	0	1412BTSSCU 26" x 84" x 8" Body Part
1	1412BTSSCU07405DTE-P	0	1412BTSSCU 26" x 84" x 8" Right Body Part
1	STK-G-00701	0	1" x 1/4" Self-Adhesive Neoprene Gasket
10	STK-Q-00260	1	M6 x 13mm Carriage Bolt
10	STK-Q-07220	1	M6 Nylon Insert Lock Nut
10	STK-Q-16020	1	Stud M8 x 35mm Stainless Steel
2	STK-Q-16095	0	M6 x 16mm Stainless Steel Ground Stud
1	STK-S-00100	0	3.5" x 2" Silver Milar Flexcon Sticker
Parts List			

Customer Client	Date
Drawn By / Dessiné Par: BoxCad: BoxCad	Date: 02-Nov-22
Material / Matière: 14 Ga Stainless Steel 304 (1.7mm)	
Color / Couleur: Unpainted	Finish / Fini: Brushed
Description: 1412BTSSCU 26" x 84" x 8" Body	Detail Rev.
Part Number / Numéro Pièce: 1412BTSSCU07405DTB	Rev. 0
	6 / 18

This drawing is confidential and must not be reproduced or used without the consent of Eurobox

Ce dessin est confidentiel et ne doit pas être reproduit ou utilisé sans le consentement de Eurobox

STANDARD FEATURES ARE NOT LISTED IN THIS HOLE TABLE			
HOLE TABLE - FRONT VIEW (CUSTOM FEATURE ONLY)			
CUT-OUT	XDIM	YDIM	DESCRIPTION
1	61.500	0.750	RND Ø0.201 THREAD 1/4-20 UNC
2	55.500	0.750	RND Ø0.201 THREAD 1/4-20 UNC
3	49.500	0.750	RND Ø0.201 THREAD 1/4-20 UNC
4	43.500	0.750	RND Ø0.201 THREAD 1/4-20 UNC
5	37.500	0.750	RND Ø0.201 THREAD 1/4-20 UNC
6	25.500	0.750	RND Ø0.201 THREAD 1/4-20 UNC
7	19.500	0.750	RND Ø0.201 THREAD 1/4-20 UNC
8	13.500	0.750	RND Ø0.201 THREAD 1/4-20 UNC
9	7.500	0.750	RND Ø0.201 THREAD 1/4-20 UNC
10	1.500	0.750	RND Ø0.201 THREAD 1/4-20 UNC

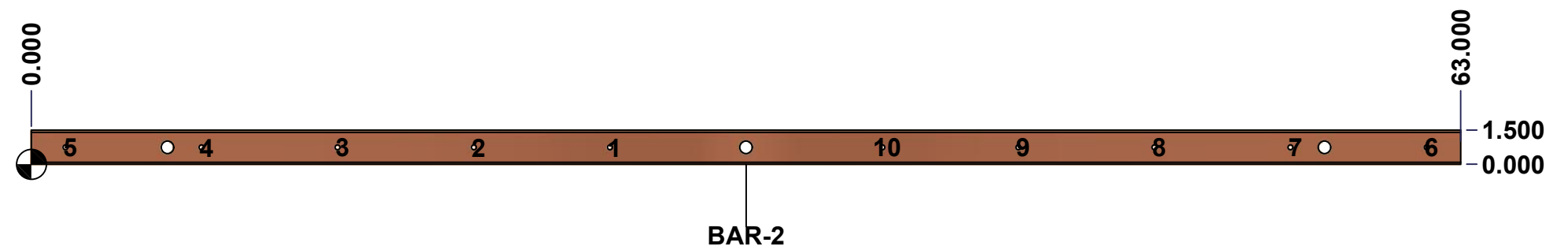


	Description	Status
	Rounded Edge Copper Bar 3/16" x 1 1/2"	(NULL)
	Part Number Numéro Pièce	Rev.
	1412BTSSCU07405DTBAR1-P 0	7
		18

This drawing is confidential and must not be reproduced or used without the consent of Eurobox

Ce dessin est confidentiel et ne doit pas être reproduit ou utilisé sans le consentement de Eurobox

STANDARD FEATURES ARE NOT LISTED IN THIS HOLE TABLE			
HOLE TABLE - FRONT VIEW (CUSTOM FEATURE ONLY)			
CUT-OUT	XDIM	YDIM	DESCRIPTION
1	25.500	0.750	RND Ø0.201 THREAD 1/4-20 UNC
2	19.500	0.750	RND Ø0.201 THREAD 1/4-20 UNC
3	13.500	0.750	RND Ø0.201 THREAD 1/4-20 UNC
4	7.500	0.750	RND Ø0.201 THREAD 1/4-20 UNC
5	1.500	0.750	RND Ø0.201 THREAD 1/4-20 UNC
6	61.500	0.750	RND Ø0.201 THREAD 1/4-20 UNC
7	55.500	0.750	RND Ø0.201 THREAD 1/4-20 UNC
8	49.500	0.750	RND Ø0.201 THREAD 1/4-20 UNC
9	43.500	0.750	RND Ø0.201 THREAD 1/4-20 UNC
10	37.500	0.750	RND Ø0.201 THREAD 1/4-20 UNC



	Description	Status
	Rounded Edge Copper Bar 3/16" x 1 1/2"	(NULL)
	Part Number Numéro Pièce	Rev.
	1412BTSSCU07405DTBAR2-P 0	8
		18

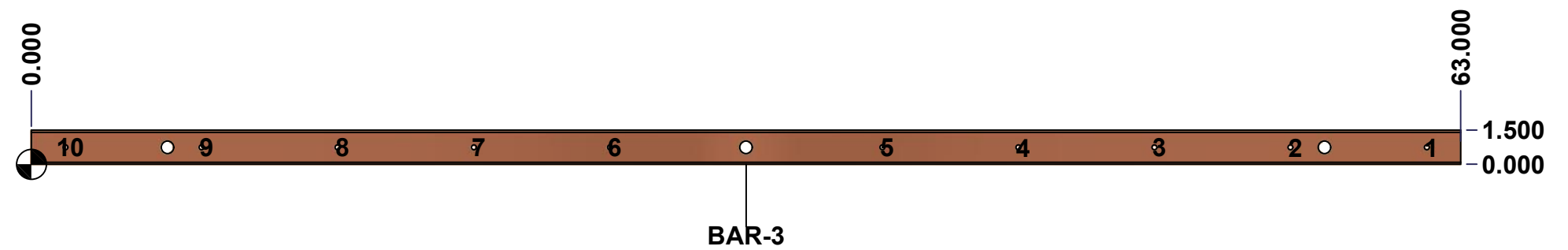
This drawing is confidential and must not be reproduced or used without the consent of Eurobox

Ce dessin est confidentiel et ne doit pas être reproduit ou utilisé sans le consentement de Eurobox

STANDARD FEATURES ARE NOT LISTED IN THIS HOLE TABLE

HOLE TABLE - FRONT VIEW (CUSTOM FEATURE ONLY)

CUT-OUT	XDIM	YDIM	DESCRIPTION
1	61.500	0.750	RND Ø0.201 THREAD 1/4-20 UNC
2	55.500	0.750	RND Ø0.201 THREAD 1/4-20 UNC
3	49.500	0.750	RND Ø0.201 THREAD 1/4-20 UNC
4	43.500	0.750	RND Ø0.201 THREAD 1/4-20 UNC
5	37.500	0.750	RND Ø0.201 THREAD 1/4-20 UNC
6	25.500	0.750	RND Ø0.201 THREAD 1/4-20 UNC
7	19.500	0.750	RND Ø0.201 THREAD 1/4-20 UNC
8	13.500	0.750	RND Ø0.201 THREAD 1/4-20 UNC
9	7.500	0.750	RND Ø0.201 THREAD 1/4-20 UNC
10	1.500	0.750	RND Ø0.201 THREAD 1/4-20 UNC

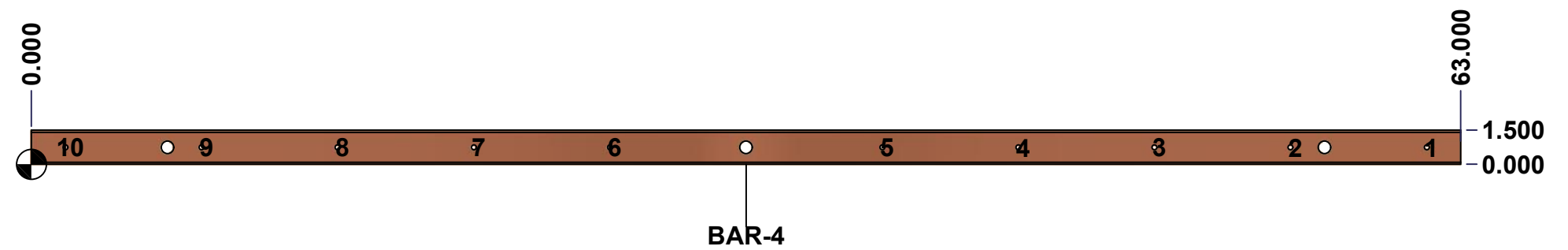


	Description	Status
	Rounded Edge Copper Bar 3/16" x 1 1/2"	(NULL)
	Part Number	Rev.
	Numéro Pièce	9
	1412BTSSCU07405DTBAR3-P 0	18

This drawing is confidential and must not be reproduced or used without the consent of Eurobox

Ce dessin est confidentiel et ne doit pas être reproduit ou utilisé sans le consentement de Eurobox

STANDARD FEATURES ARE NOT LISTED IN THIS HOLE TABLE			
HOLE TABLE - FRONT VIEW (CUSTOM FEATURE ONLY)			
CUT-OUT	XDIM	YDIM	DESCRIPTION
1	61.500	0.750	RND Ø0.201 THREAD 1/4-20 UNC
2	55.500	0.750	RND Ø0.201 THREAD 1/4-20 UNC
3	49.500	0.750	RND Ø0.201 THREAD 1/4-20 UNC
4	43.500	0.750	RND Ø0.201 THREAD 1/4-20 UNC
5	37.500	0.750	RND Ø0.201 THREAD 1/4-20 UNC
6	25.500	0.750	RND Ø0.201 THREAD 1/4-20 UNC
7	19.500	0.750	RND Ø0.201 THREAD 1/4-20 UNC
8	13.500	0.750	RND Ø0.201 THREAD 1/4-20 UNC
9	7.500	0.750	RND Ø0.201 THREAD 1/4-20 UNC
10	1.500	0.750	RND Ø0.201 THREAD 1/4-20 UNC

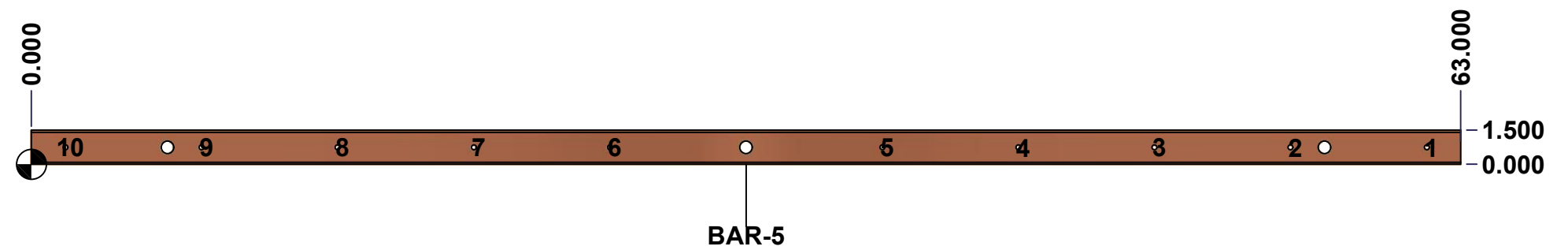


	Description	Status	
	Rounded Edge Copper Bar 3/16" x 1 1/2"	(NULL)	
	Part Number	Rev.	10
	Numéro Pièce	1412BTSSCU07405DTBAR4-P 0	18

This drawing is confidential and must not be reproduced or used without the consent of Eurobox

Ce dessin est confidentiel et ne doit pas être reproduit ou utilisé sans le consentement de Eurobox

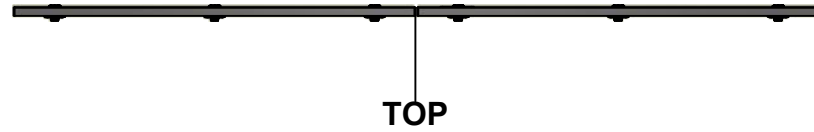
STANDARD FEATURES ARE NOT LISTED IN THIS HOLE TABLE			
HOLE TABLE - FRONT VIEW (CUSTOM FEATURE ONLY)			
CUT-OUT	XDIM	YDIM	DESCRIPTION
1	61.500	0.750	RND Ø0.201 THREAD 1/4-20 UNC
2	55.500	0.750	RND Ø0.201 THREAD 1/4-20 UNC
3	49.500	0.750	RND Ø0.201 THREAD 1/4-20 UNC
4	43.500	0.750	RND Ø0.201 THREAD 1/4-20 UNC
5	37.500	0.750	RND Ø0.201 THREAD 1/4-20 UNC
6	25.500	0.750	RND Ø0.201 THREAD 1/4-20 UNC
7	19.500	0.750	RND Ø0.201 THREAD 1/4-20 UNC
8	13.500	0.750	RND Ø0.201 THREAD 1/4-20 UNC
9	7.500	0.750	RND Ø0.201 THREAD 1/4-20 UNC
10	1.500	0.750	RND Ø0.201 THREAD 1/4-20 UNC



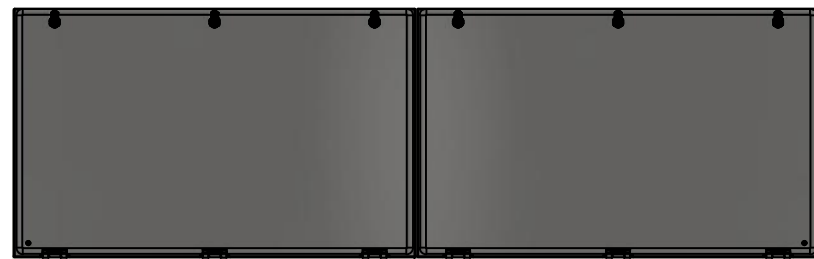
	Description	Status
	Rounded Edge Copper Bar 3/16" x 1 1/2"	(NULL)
	Part Number Numéro Pièce	Rev.
	1412BTSSCU07405DTBAR5-P 0	11
		18

This drawing is confidential and must not be reproduced or used without the consent of EXM

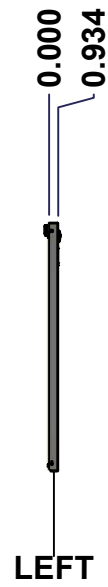
Ce dessin est confidentiel et ne doit pas être reproduit ou utilisé sans le consentement de EXM



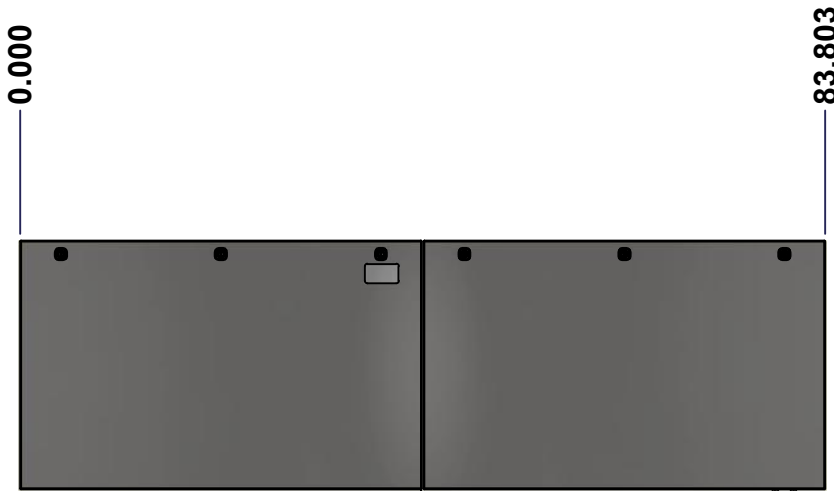
TOP



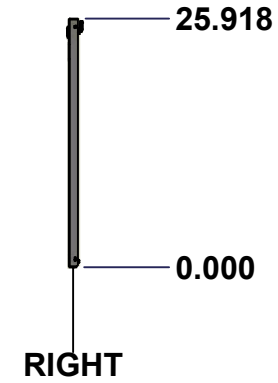
BACK



LEFT



FRONT

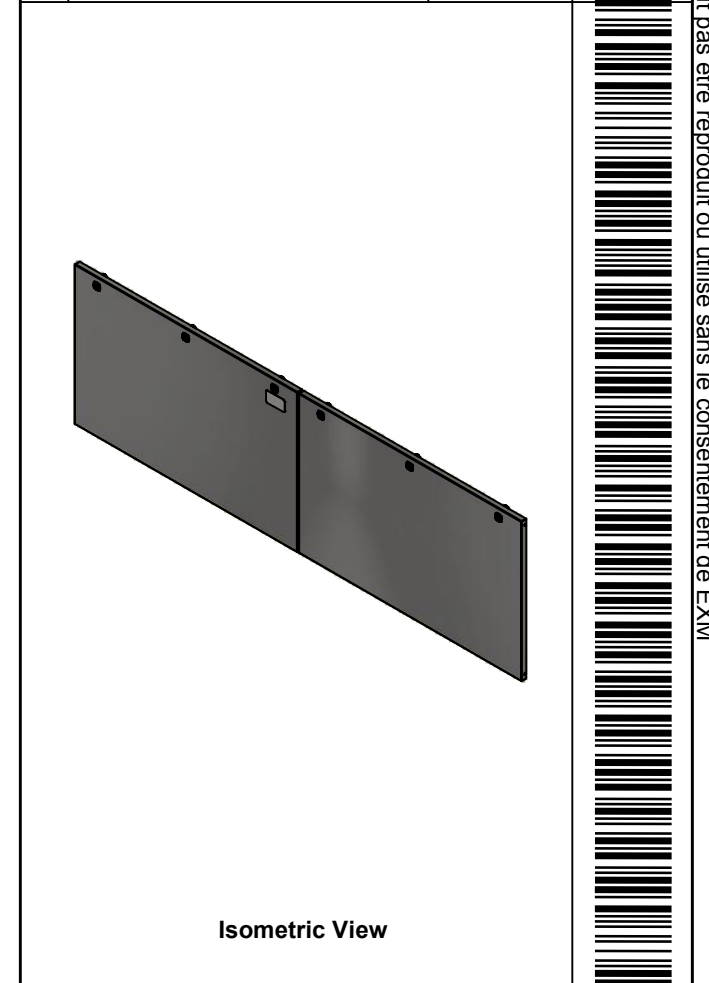



RIGHT



BOTTOM

No.	Revisions	Date	By/Par



 Tél: (450) 979-4373 Fax: (450) 979-4626 www.exmweb.com		Flatness Aplatissement
		Max 3.0mm
Customer Client		Date
Drawn By Dessiné Par BoxCad: BoxCad		Date 02-Nov-22
Material Matière 14 Ga Stainless Steel 304 (1.7mm)		
Color Couleur Unpainted	Finish Fini Brushed	
Description 1412BTSSCU 26" x 84" Cover		Detail Rev.
Part Number Numéro Pièce 1412BTSSCU07405DTC		Rev. 12 0 18

SEE BILL OF MATERIAL ON LAST PAGE

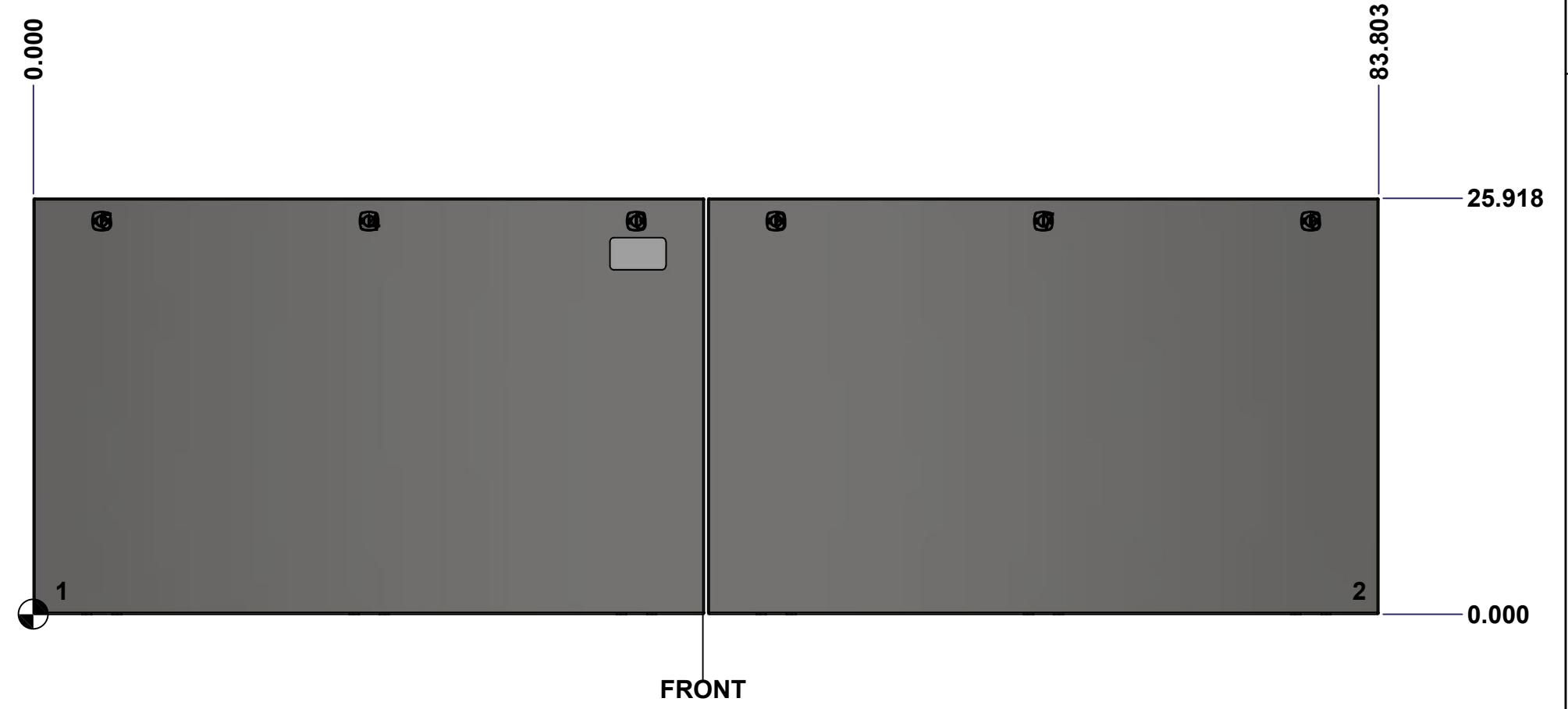
This drawing is confidential and must not be reproduced or used without the consent of Eurobox

Ce dessin est confidentiel et ne doit pas être reproduit ou utilisé sans le consentement de Eurobox

STANDARD FEATURES ARE NOT LISTED IN THIS HOLE TABLE

HOLE TABLE - FRONT VIEW (CUSTOM FEATURE ONLY)

CUT-OUT	XDIM	YDIM	DESCRIPTION
1	1.500	1.486	GND STUD M6 x 16mm (Inside)
2	82.303	1.486	GND STUD M6 x 16mm (Inside)
3	37.553	24.494	LOCK 880 SCQ4-SLSS6 @ 90.0°
4	20.902	24.494	LOCK 880 SCQ4-SLSS6 @ 90.0°
5	4.250	24.494	LOCK 880 SCQ4-SLSS6 @ 90.0°
6	79.553	24.494	LOCK 880 SCQ4-SLSS6 @ 90.0°
7	62.902	24.494	LOCK 880 SCQ4-SLSS6 @ 90.0°
8	46.250	24.494	LOCK 880 SCQ4-SLSS6 @ 90.0°

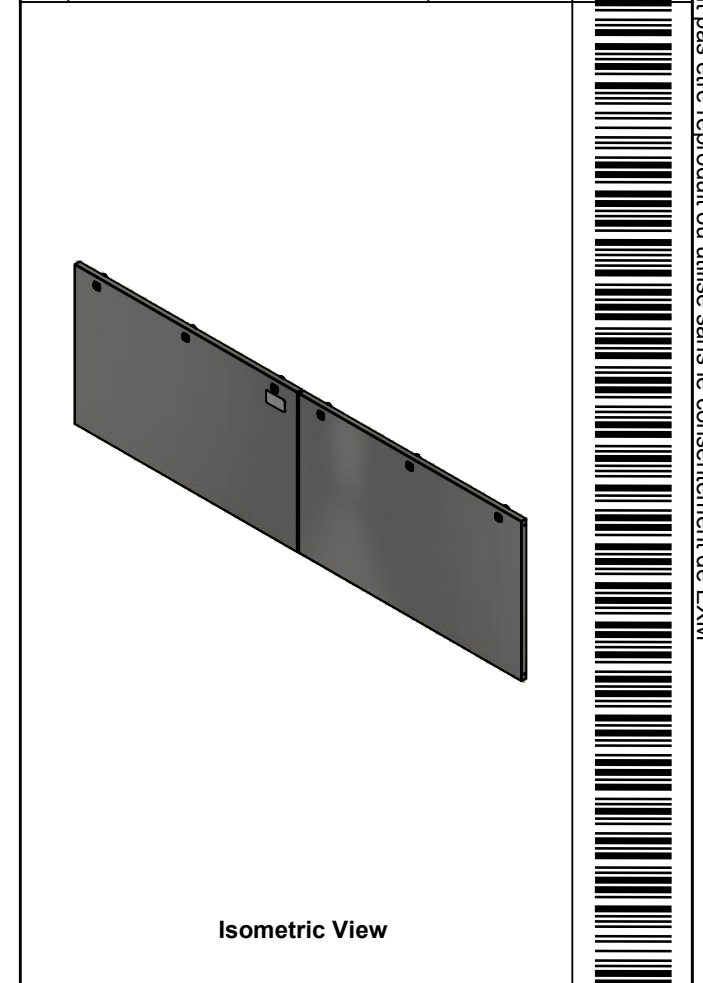


	Description	Status	
	1412BTSSCU 26" x 84" Cover	(NULL)	
	Part Number Numéro Pièce	Rev.	13
	1412BTSSCU07405DTC	0	18

This drawing is confidential and must not be reproduced or used without the consent of EXM

Ce dessin est confidentiel et ne doit pas être reproduit ou utilisé sans le consentement de EXM

No.	Revisions	Date	By/Par



Isometric View


 Tél: (450) 979-4373
 Fax: (450) 979-4626
www.exmweb.com

Flatness / Aplatissement: Max 3.0mm
 Projection: 

Customer Client	Date
Drawn By / Dessiné Par: BoxCad: BoxCad	Date: 02-Nov-22

Material / Matière	14 Ga Stainless Steel 304 (1.7mm)
--------------------	-----------------------------------

Color / Couleur: Unpainted	Finish / Fini: Brushed
----------------------------	------------------------

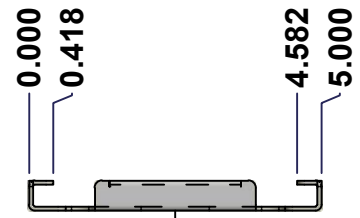
Description: 1412BTSSCU 26" x 84" Cover	Detail Rev.
---	-------------

Part Number / Numéro Pièce: 1412BTSSCU07405DTC	Rev. 0	14 / 18
---	---------------	---------

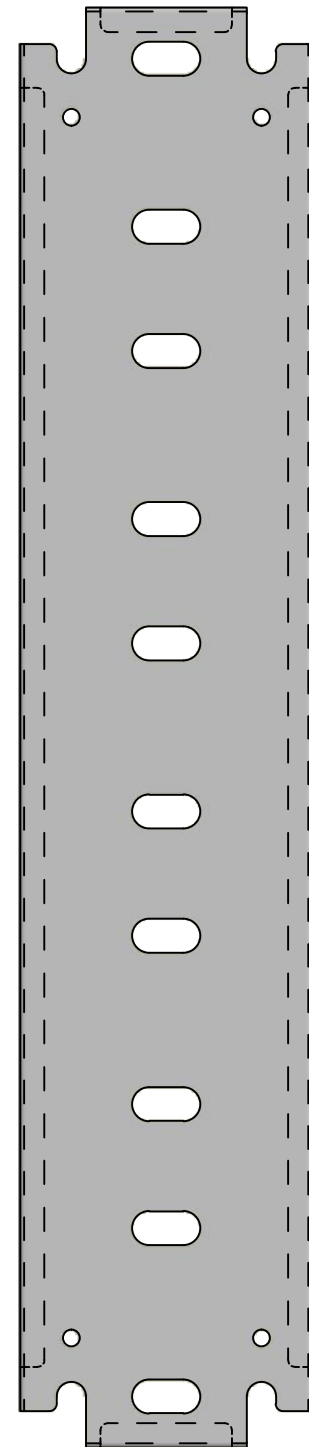
Qty	Part Name	Rev	Description
2	1412BTSSCU07405DTG	0	1412BTSSCU 26" x 84" Cover Gasket
6	STK-K-09850	6	5412 ESS Hinge with 2 Captive Hinge Pins
2	STK-Q-16095	0	M6 x 16mm Stainless Steel Ground Stud
1	STK-S-00100	0	3.5" x 2" Silver Milar Flexcon Sticker
1	1412BTSSCU07405DTC-P	0	1412BTSSCU 26" x 84" Cover Part
1	1412BTSSCU07405DTF-P	0	1412BTSSCU 26" x 84" Right Cover Part
6	880 SCQ4-SLSS6	7	5412 ESS 1/4 Turn Lock
Parts List			

This drawing is confidential and must not be reproduced or used without the consent of EXM

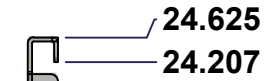
Ce dessin est confidentiel et ne doit pas être reproduit ou utilisé sans le consentement de EXM



TOP



FRONT

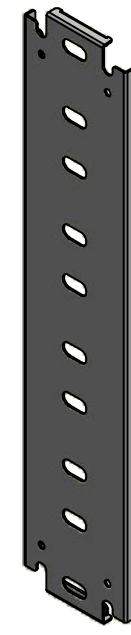


RIGHT



SEE BILL OF MATERIAL ON LAST PAGE

No.	Revisions	Date	By/Par



Isometric View



Tél: (450) 979-4373
 Fax: (450) 979-4626
www.exmweb.com

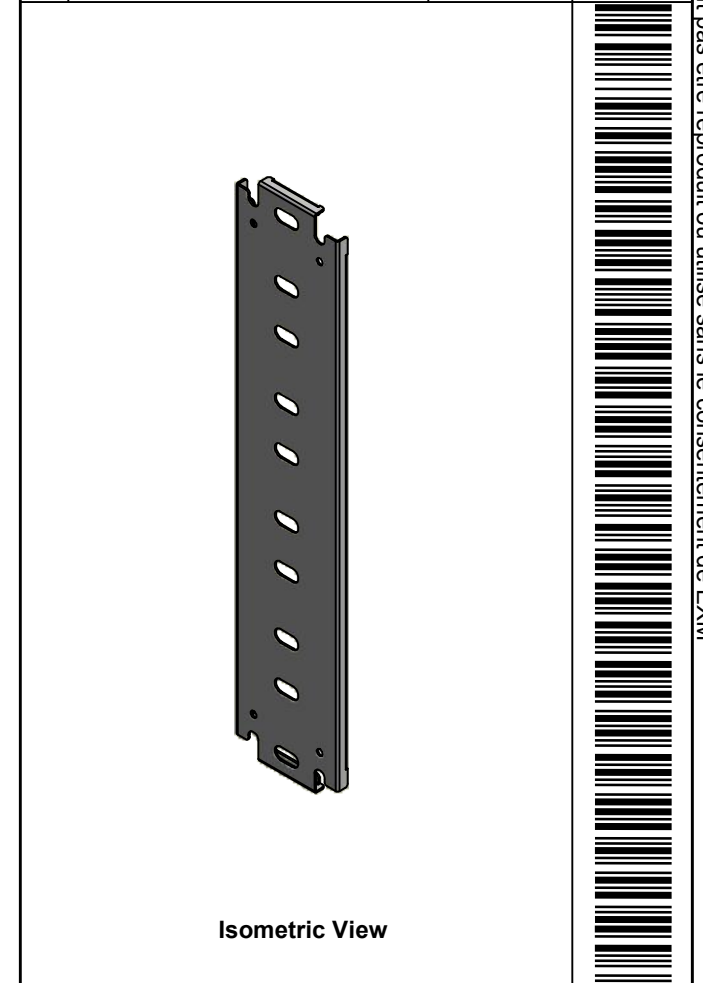
Flatness
Aplatissement
Max 3.0mm
Projection


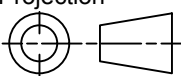
Customer Client	Date
Drawn By Dessiné Par BoxCad: BoxCad	Date 02-Nov-22
Material Matière 14 Ga Cold Rolled A1008 CS Type B (1.7mm)	
Color Couleur White RAL9003	Finish Fini Smooth
Description 1412BTSSCU 24.625" x 56" Inner Panel	Detail Rev.
Part Number Numéro Pièce 1412BTSSCU07405DTIP1	Rev. 0
	15 18

This drawing is confidential and must not be reproduced or used without the consent of EXM

Ce dessin est confidentiel et ne doit pas être reproduit ou utilisé sans le consentement de EXM

No.	Revisions	Date	By/Par

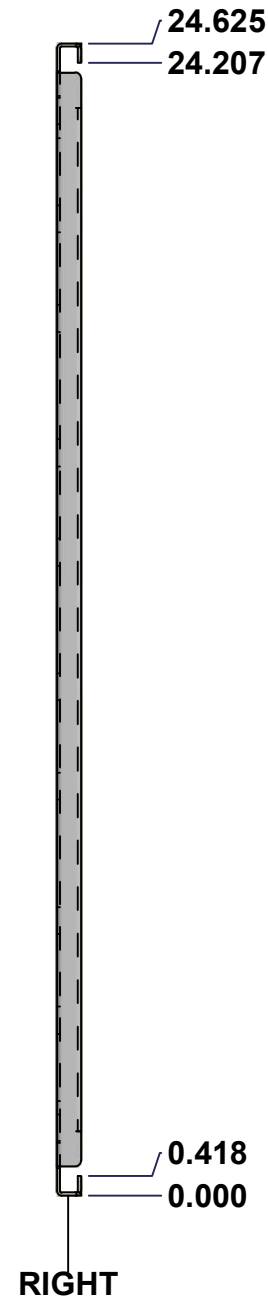
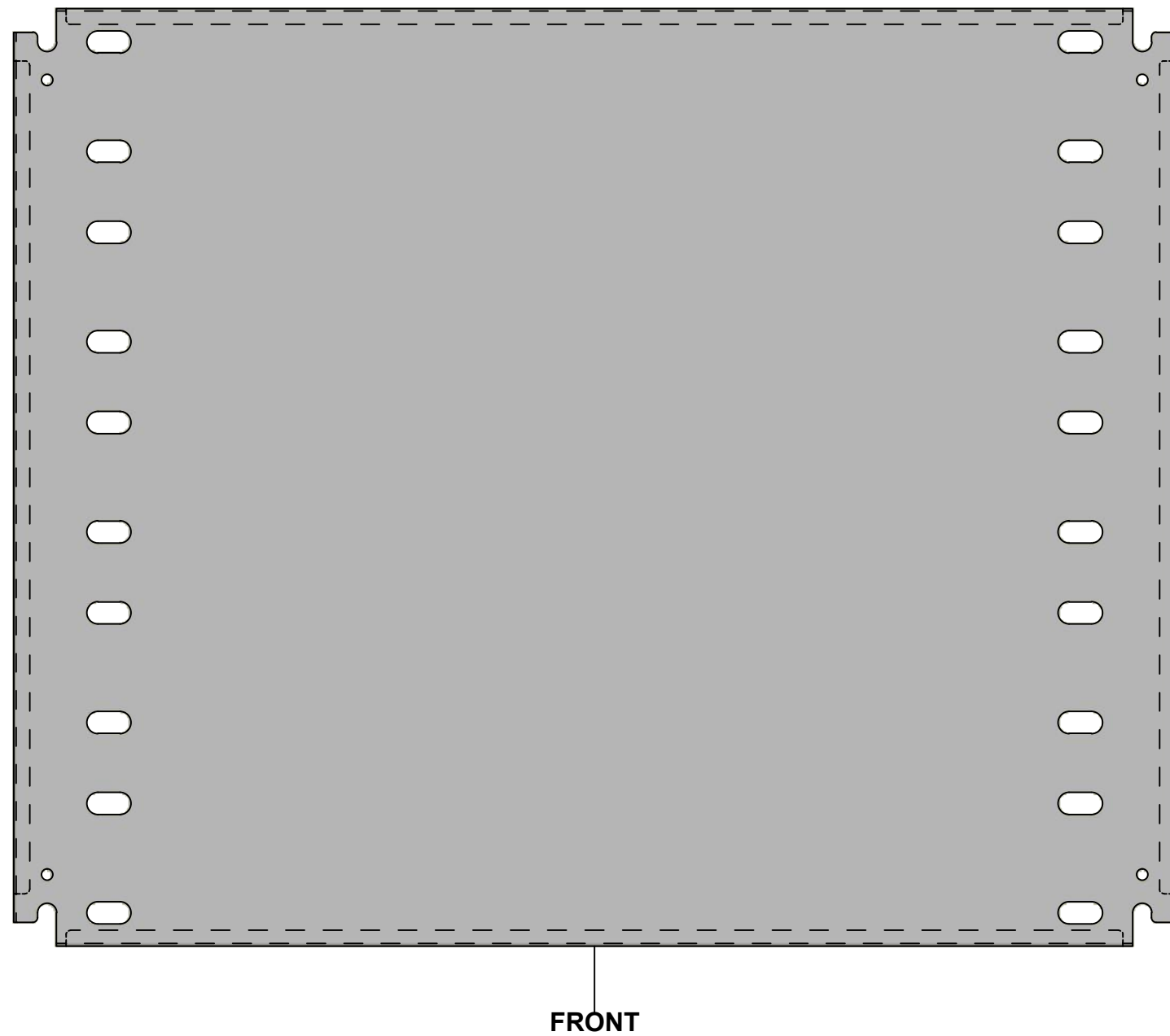
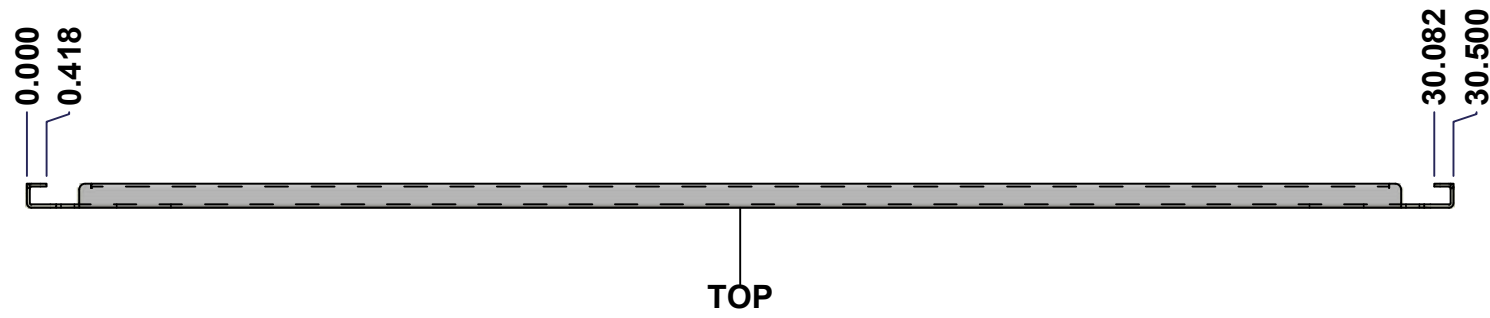


 Tél: (450) 979-4373 Fax: (450) 979-4626 www.exmweb.com		Flatness Aplatissement Max 3.0mm Projection 
Customer Client	Date	
Drawn By Dessiné Par	BoxCad: BoxCad	Date 02-Nov-22
Material Matière	14 Ga Cold Rolled A1008 CS Type B (1.7mm)	
Color Couleur	White RAL9003	Finish Fini Smooth
Description		Detail Rev.
1412BTSSCU 24.625" x 56" Inner Panel		
Part Number Numéro Pièce	Rev.	16
1412BTSSCU07405DTIP1	0	18

Qty	Part Number	Rev	Description
1	STK-P-02401S	0	Powder Paint (White / Smooth)
1	1412BTSSCU07405DTIP1-P	0	1412BTSSCU 24.625" x 84" Inner Panel Part
Parts List			

This drawing is confidential and must not be reproduced or used without the consent of EXM

Ce dessin est confidentiel et ne doit pas être reproduit ou utilisé sans le consentement de EXM



No.	Revisions	Date	By/Par

Isometric View

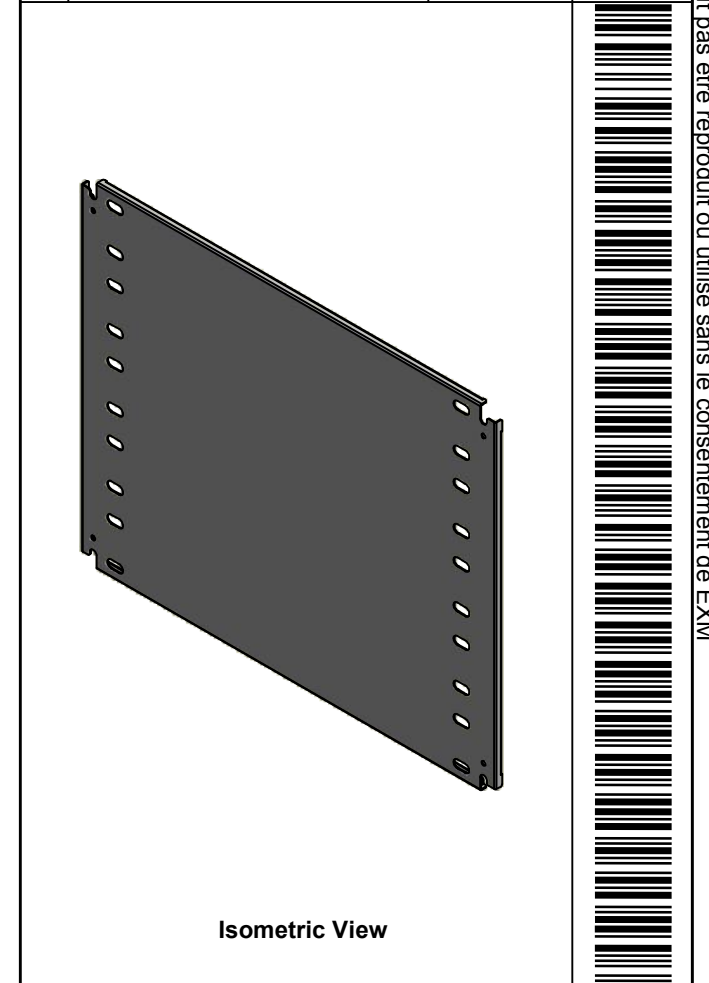
Tél: (450) 979-4373 Fax: (450) 979-4626 www.exmweb.com		Flatness Aplatissement Max 3.0mm Projection
Customer Client	Date	
Drawn By Dessiné Par	BoxCad: BoxCad	Date 02-Nov-22
Material Matière	14 Ga Cold Rolled A1008 CS Type B (1.7mm)	
Color Couleur	White RAL9003	Finish Fini Smooth
Description 1412BTSSCU 24.625" x 28" Right Inner Panel		Detail Rev.
Part Number Numéro Pièce	1412BTSSCU07405DTIP2	Rev. 17 0 18



SEE BILL OF MATERIAL ON LAST PAGE

This drawing is confidential and must not be reproduced or used without the consent of EXM

Ce dessin est confidentiel et ne doit pas être reproduit ou utilisé sans le consentement de EXM

No.	Revisions	Date	By/Par



 Tél: (450) 979-4373 Fax: (450) 979-4626 www.exmweb.com		Flatness Aplatissement  Max 3.0mm
Customer Client		Date
Drawn By Dessiné Par BoxCad: BoxCad		Date 02-Nov-22
Material Matière 14 Ga Cold Rolled A1008 CS Type B (1.7mm)		
Color Couleur White RAL9003	Finish Fini Smooth	
Description 1412BTSSCU 24.625" x 28" Right Inner Panel		Detail Rev.
Part Number Numéro Pièce 1412BTSSCU07405DTIP2		Rev. 0
Qty Part Number Rev Description		18 18

Qty	Part Number	Rev	Description
1	STK-P-02401S	0	Powder Paint (White / Smooth)
1	1412BTSSCU07405DTIP2-P	0	1412BTSSCU 24.625" x 84" Right Inner Panel Part
Parts List			