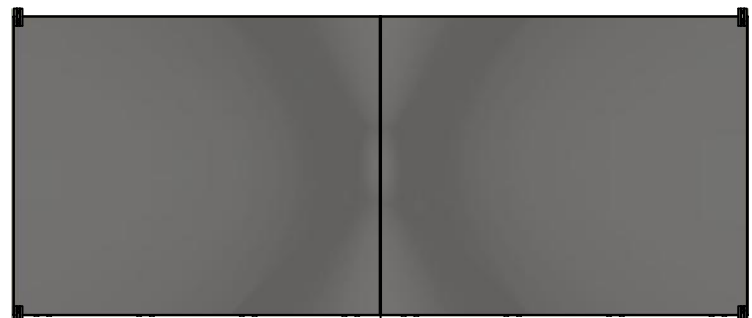


This drawing is confidential and must not be reproduced or used without the consent of EXM

Ce dessin est confidentiel et ne doit pas être reproduit ou utilisé sans le consentement de EXM



TOP



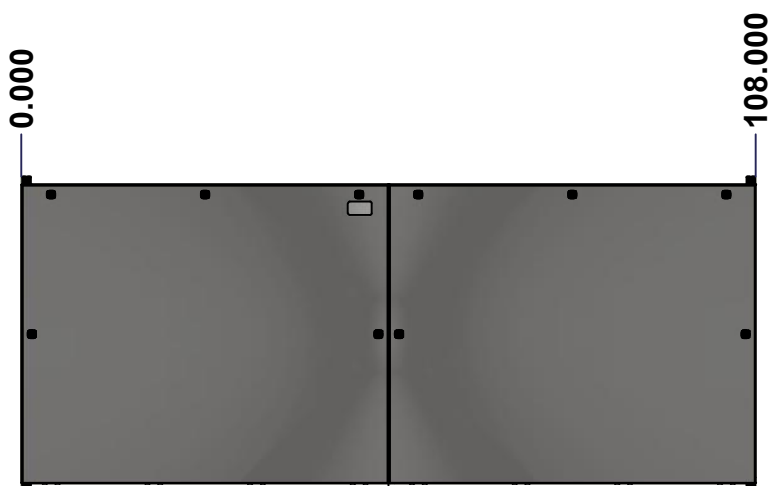
LEFT



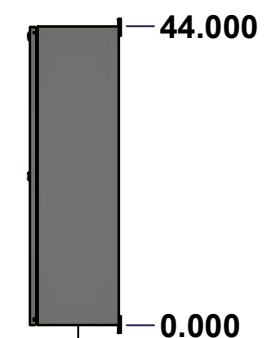
BOTTOM



LEFT

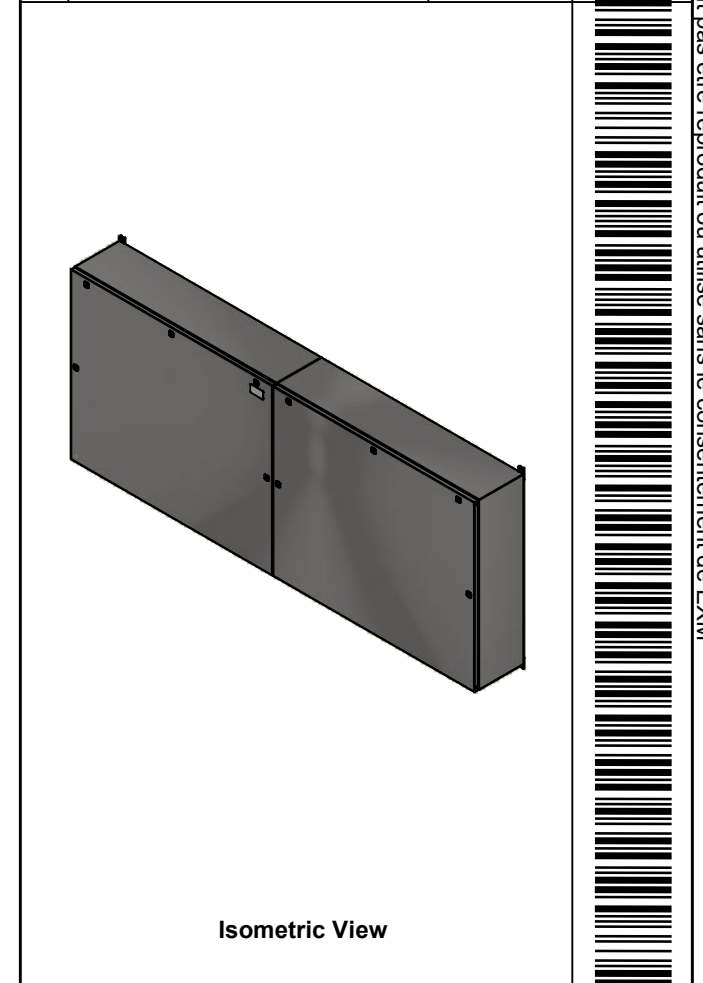



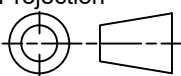
FRONT



RIGHT

No.	Revisions	Date	By/Par



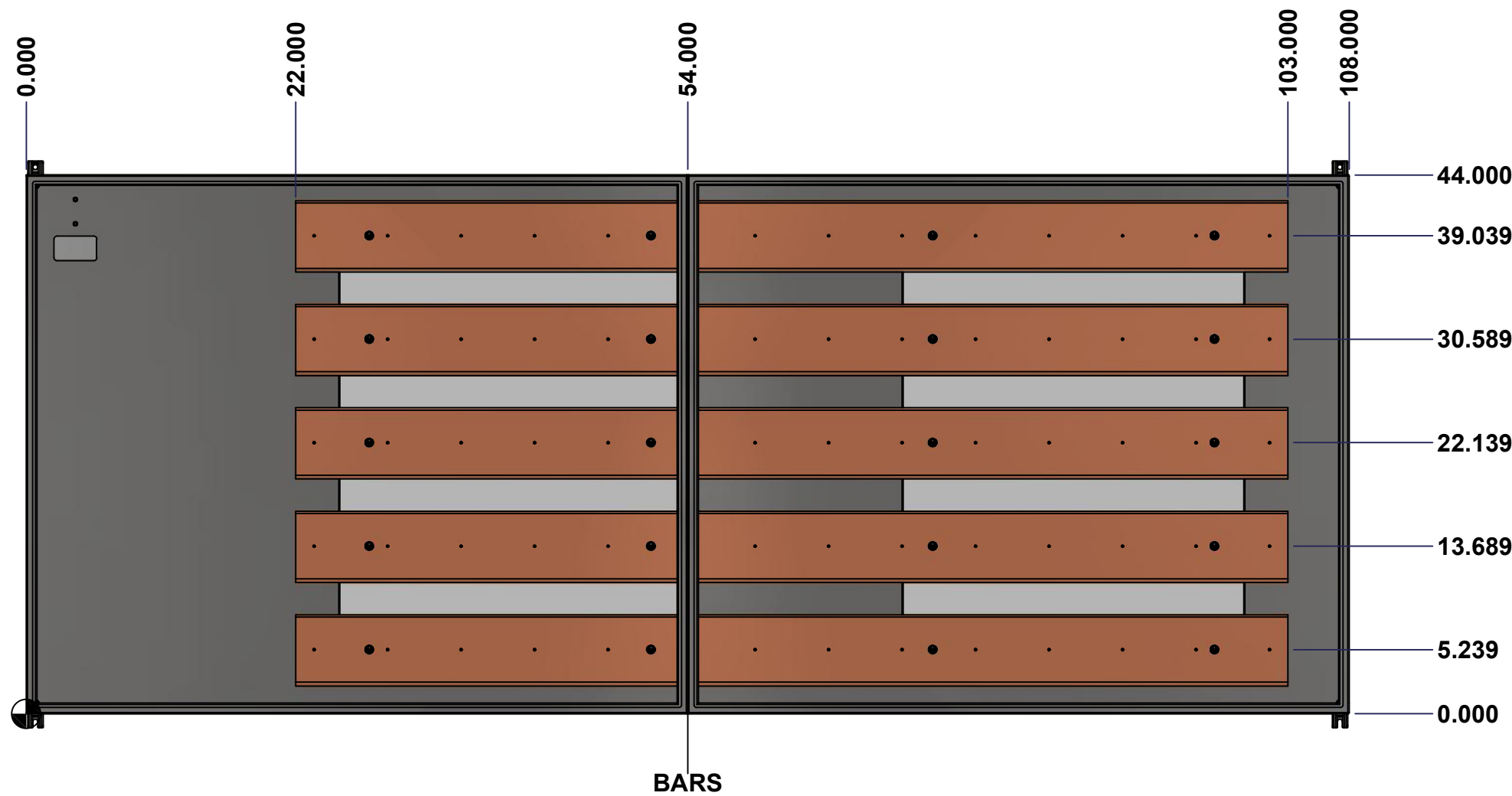
 Tél: (450) 979-4373 Fax: (450) 979-4626 www.exmweb.com		Flatness Aplatissement Max 3.0mm Projection 
Customer Client	Date	
Drawn By Dessiné Par	BoxCad: BoxCad	Date 10/28/2022
Material Matière	14 Ga Stainless Steel 304 (1.7mm)	
Color Couleur	Unpainted	Finish Fini Brushed
Description	Detail Rev.	
1412BTSSCU 2500A - 5Wires x 108" Assembly		
Part Number Numéro Pièce	Rev.	1
1412BTSSCU092505DT	0	18

SEE BILL OF MATERIAL ON LAST PAGE

This drawing is confidential and must not be reproduced or used without the consent of Eurobox

STANDARD FEATURES ARE NOT LISTED IN THIS HOLE TABLE

Ce dessin est confidentiel et ne doit pas être reproduit ou utilisé sans le consentement de Eurobox



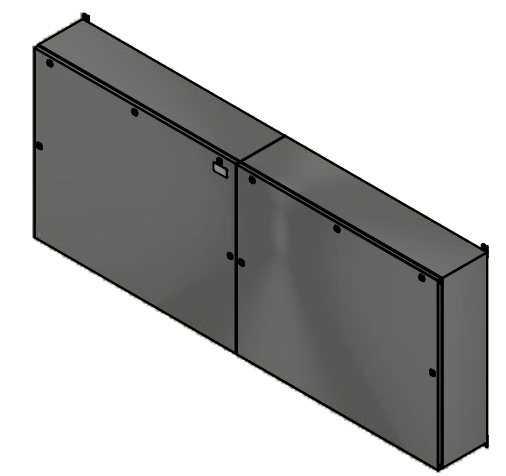
	Description 1412BTSSCU 2500A - 5Wires x 108" Assembly		Status (NULL)
	Part Number Numéro Pièce 1412BTSSCU092505DT		Rev. 2 0

This drawing is confidential and must not be reproduced or used without the consent of EXM

Ce dessin est confidentiel et ne doit pas être reproduit ou utilisé sans le consentement de EXM

NOTE	
ITEM	DESCRIPTION
1	NEMA 4X Enclosure
2	C/W Standard ground studs on box and cover
3	W/O Standard door stiffener
4	C/W Special inner panel (Sold separately)
5	C/W Standard inner panel mounting studs

No.	Revisions	Date	By/Par



Isometric View



8	STK-Q-04051-07	8	M6 x 7mm Stainless Steel Hexagon Socket Head Machine Screw with Nyseal
1	885 ESMF2	0	885 ESMF2 Stainless Steel Mounting Feet Kit
1	1412BTSSCU092505DTIP 2	0	1412BTSSCU 38.425" x 28" Right Inner Panel
1	1412BTSSCU092505DTB AR1-P	0	Rounded Edge Copper Bar 1/2" x 6"
1	1412BTSSCU092505DTB AR2-P	0	Rounded Edge Copper Bar 1/2" x 6"
1	1412BTSSCU092505DTB AR3-P	0	Rounded Edge Copper Bar 1/2" x 6"
1	1412BTSSCU092505DTB AR4-P	0	Rounded Edge Copper Bar 1/2" x 6"
1	1412BTSSCU092505DTB AR5-P	0	Rounded Edge Copper Bar 1/2" x 6"
1	1412BTSSCU092505DTIP 1	0	1412BTSSCU 38.425" x 28" Left Inner Panel
20	STK-A-67400	0	Buss Bar Insulator Kit
1	STK-K-01800	5	5412 ES Accessory Kit
32	STK-Q-07310	2	Flange Lock Nut M8
12	STK-Q-07610	8	M8 Plastic Spacer 22.2mm
1	1412BTSSCU092505DTB	0	1412BTSSCU 44" x 108" x 12" Body
1	1412BTSSCU092505DTC	0	1412BTSSCU 44" x 108" Cover

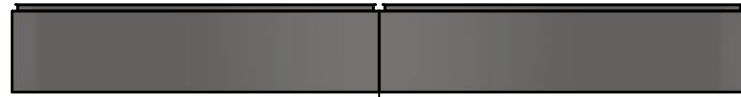
PACKING		
ITEM	QTY	DESCRIPTION
Cardboard sleeve	2	Top and Bottom
Cardboard strip	2	Between back of enclosure and inner panel
Plastic bag	1	To protect cover surface and inside gasket
Cardboard corner	4	To reinforced for the plastic strap tightening
Plastic strap - Black	2	To Squeeze 2 cardboard sleeve together
Packaging label	3	White label with PN
Plastic strap- Green	2	To secure the enclosure to the wood pallet
Wood Pallet	1	2" deeper and 3" larger than enclosure size

	Tél: (450) 979-4373 Fax: (450) 979-4626 www.exmweb.com	Flatness Aplatissement Max 3.0mm
		Projection
Customer Client	Date	
Drawn By Dessiné Par	BoxCad: BoxCad	Date 10/28/2022
Material Matière	14 Ga Stainless Steel 304 (1.7mm)	
Color Couleur	Unpainted	Finish Fini Brushed
Description	1412BTSSCU 2500A - 5Wires x 108" Assembly	
Part Number Numéro Pièce	1412BTSSCU092505DT	Detail Rev. 3
	Rev. 0	18

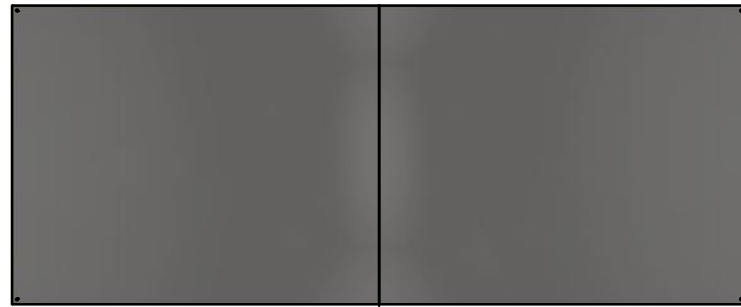
Qty	Part Number	Rev	Description
Parts List			

This drawing is confidential and must not be reproduced or used without the consent of EXM

Ce dessin est confidentiel et ne doit pas être reproduit ou utilisé sans le consentement de EXM



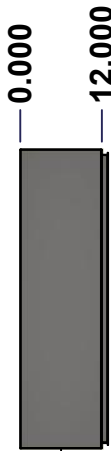
TOP



BACK



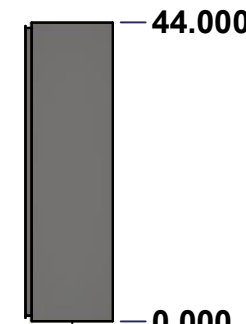
BOTTOM



LEFT

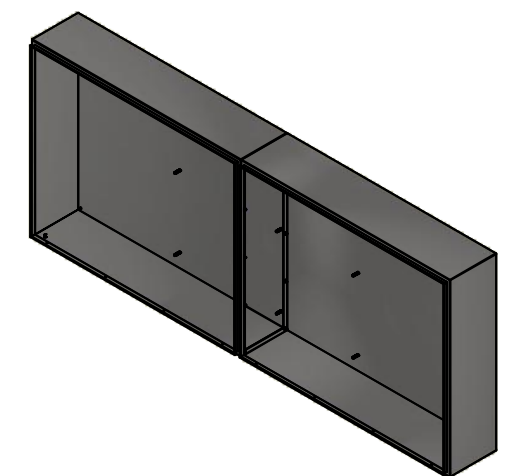


FRONT



RIGHT

No.	Revisions	Date	By/Par



Isometric View

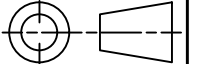


Tél: (450) 979-4373
 Fax: (450) 979-4626
www.exmweb.com

Flatness
Aplatissement

Max 3.0mm

Projection



Customer Client	Date
Drawn By Dessiné Par BoxCad: BoxCad	Date 10/28/2022
Material Matière 14 Ga Stainless Steel 304 (1.7mm)	
Color Couleur Unpainted	Finish Fini Brushed
Description 1412BTSSCU 44" x 108" x 12" Body	Detail Rev.
Part Number Numéro Pièce 1412BTSSCU092505DTB	Rev. 4
	0

SEE BILL OF MATERIAL ON LAST PAGE

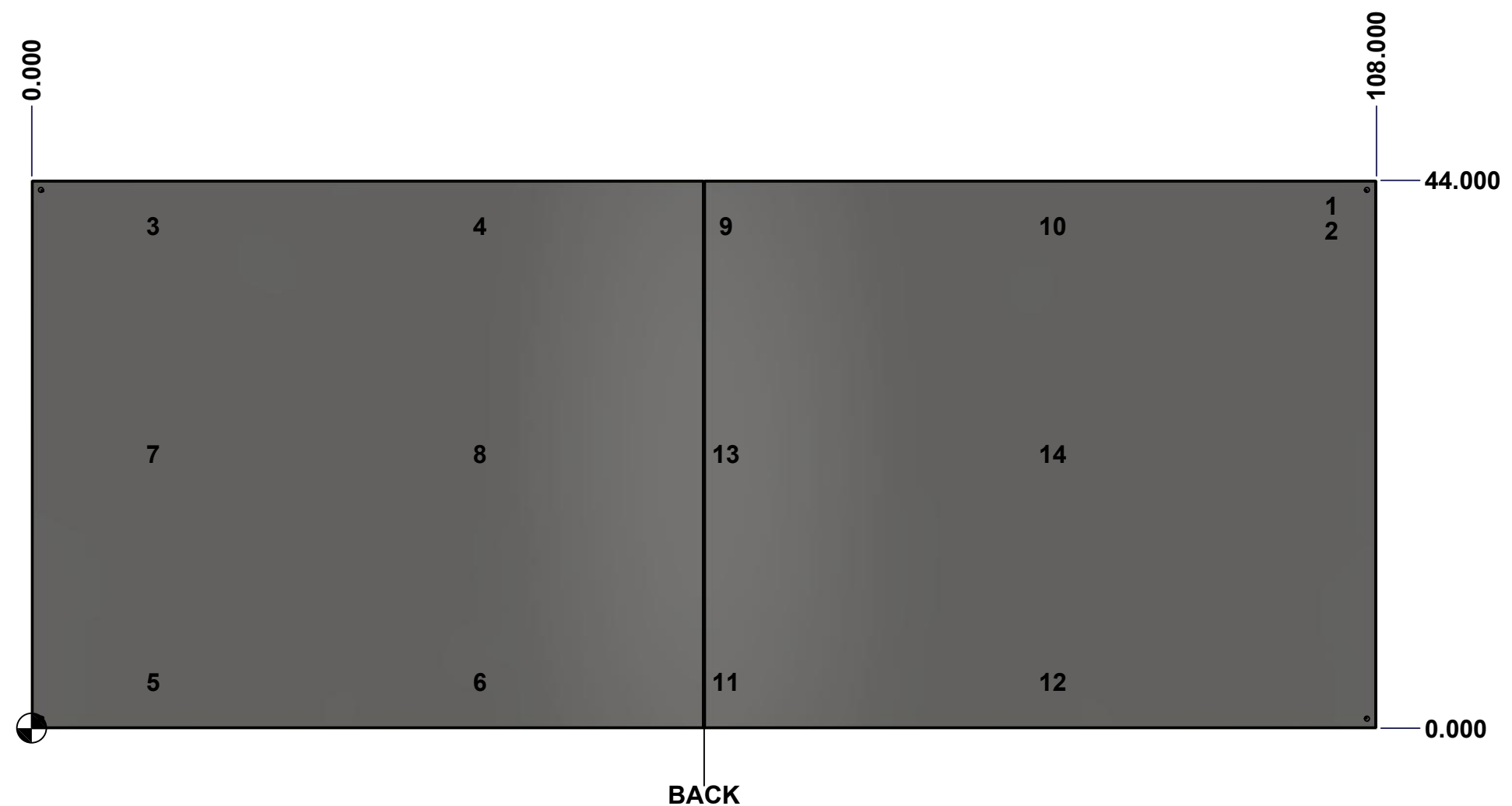
This drawing is confidential and must not be reproduced or used without the consent of Eurobox

Ce dessin est confidentiel et ne doit pas être reproduit ou utilisé sans le consentement de Eurobox

STANDARD FEATURES ARE NOT LISTED IN THIS HOLE TABLE

HOLE TABLE - BACK VIEW (CUSTOM FEATURE ONLY)

CUT-OUT	XDIM	YDIM	DESCRIPTION
1	104.000	42.000	GND STUD M8 x 35mm (Inside)
2	104.000	40.000	GND STUD M8 x 35mm (Inside)
3	9.375	40.350	IP STUD M8 x 35mm (Inside)
4	35.625	40.350	IP STUD M8 x 35mm (Inside)
5	9.375	3.675	IP STUD M8 x 35mm (Inside)
6	35.625	3.675	IP STUD M8 x 35mm (Inside)
7	9.375	22.013	IP STUD M8 x 35mm (Inside)
8	35.625	22.013	IP STUD M8 x 35mm (Inside)
9	55.375	40.350	IP STUD M8 x 35mm (Inside)
10	81.625	40.350	IP STUD M8 x 35mm (Inside)
11	55.375	3.675	IP STUD M8 x 35mm (Inside)
12	81.625	3.675	IP STUD M8 x 35mm (Inside)
13	55.375	22.013	IP STUD M8 x 35mm (Inside)
14	81.625	22.013	IP STUD M8 x 35mm (Inside)

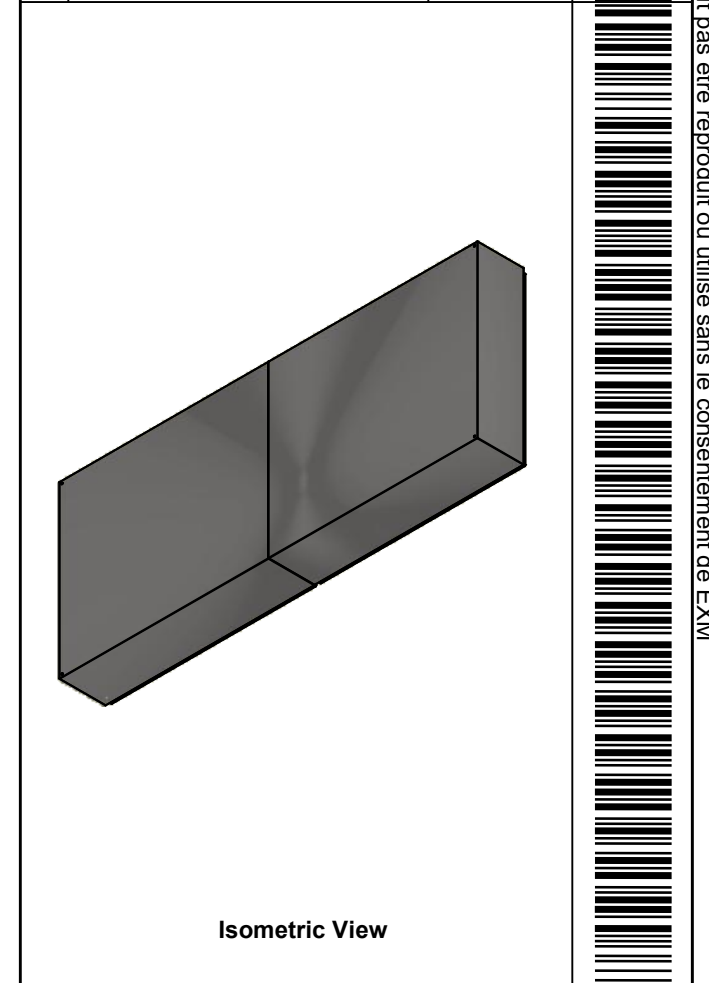


	Description	Status
	1412BTSSCU 44" x 108" x 12" Body	(NULL)
	Part Number Numéro Pièce	Rev.
	1412BTSSCU092505DTB	0 / 5
		18

This drawing is confidential and must not be reproduced or used without the consent of EXM

Ce dessin est confidentiel et ne doit pas être reproduit ou utilisé sans le consentement de EXM

No.	Revisions	Date	By/Par




 Tél: (450) 979-4373
 Fax: (450) 979-4626
www.exmweb.com

Flatness / Aplatissement: Max 3.0mm
 Projection: 

Qty	Part Number	Rev	Description
1	1412BTSSCU092505DTB-P	0	1412BTSSCU 44" x 108" x 12" Left Body Part
1	1412BTSSCU092505DTE-P	0	1412BTSSCU 44" x 108" x 12" Right Body Part
1	STK-G-00701	0	1" x 1/4" Self-Adhesive Neoprene Gasket
10	STK-Q-00260	1	M6 x 13mm Carriage Bolt
10	STK-Q-07220	1	M6 Nylon Insert Lock Nut
14	STK-Q-16020	1	Stud M8 x 35mm Stainless Steel
2	STK-Q-16095	0	M6 x 16mm Stainless Steel Ground Stud
1	STK-S-00100	0	3.5" x 2" Silver Milar Flexcon Sticker
Parts List			

Customer Client	Date
Drawn By / Dessiné Par: BoxCad: BoxCad	Date: 10/28/2022
Material / Matière: 14 Ga Stainless Steel 304 (1.7mm)	
Color / Couleur: Unpainted	Finish / Fini: Brushed
Description: 1412BTSSCU 44" x 108" x 12" Body	Detail Rev.
Part Number / Numéro Pièce: 1412BTSSCU092505DTB	Rev. 0
	6 / 18

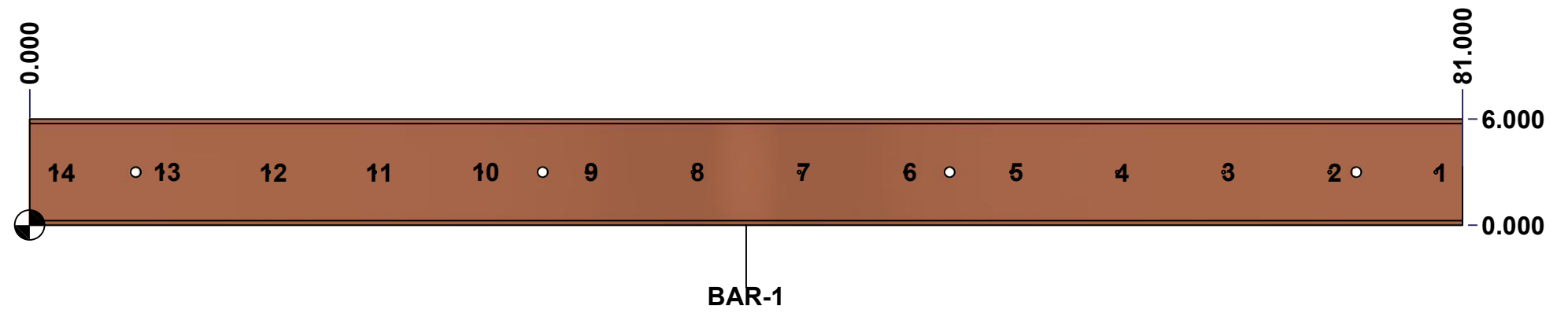
This drawing is confidential and must not be reproduced or used without the consent of Eurobox

Ce dessin est confidentiel et ne doit pas être reproduit ou utilisé sans le consentement de Eurobox

STANDARD FEATURES ARE NOT LISTED IN THIS HOLE TABLE

HOLE TABLE - FRONT VIEW (CUSTOM FEATURE ONLY)

CUT-OUT	XDIM	YDIM	DESCRIPTION
1	79.500	3.000	RND Ø0.201 THREAD 1/4-20 UNC
2	73.500	3.000	RND Ø0.201 THREAD 1/4-20 UNC
3	67.500	3.000	RND Ø0.201 THREAD 1/4-20 UNC
4	61.500	3.000	RND Ø0.201 THREAD 1/4-20 UNC
5	55.500	3.000	RND Ø0.201 THREAD 1/4-20 UNC
6	49.500	3.000	RND Ø0.201 THREAD 1/4-20 UNC
7	43.500	3.000	RND Ø0.201 THREAD 1/4-20 UNC
8	37.500	3.000	RND Ø0.201 THREAD 1/4-20 UNC
9	31.500	3.000	RND Ø0.201 THREAD 1/4-20 UNC
10	25.500	3.000	RND Ø0.201 THREAD 1/4-20 UNC
11	19.500	3.000	RND Ø0.201 THREAD 1/4-20 UNC
12	13.500	3.000	RND Ø0.201 THREAD 1/4-20 UNC
13	7.500	3.000	RND Ø0.201 THREAD 1/4-20 UNC
14	1.500	3.000	RND Ø0.201 THREAD 1/4-20 UNC



	Description	Status
	Rounded Edge Copper Bar 1/2" x 6"	(NULL)
	Part Number Numéro Pièce	Rev.
	1412BTSSCU092505DTBAR1-P0	7
		18

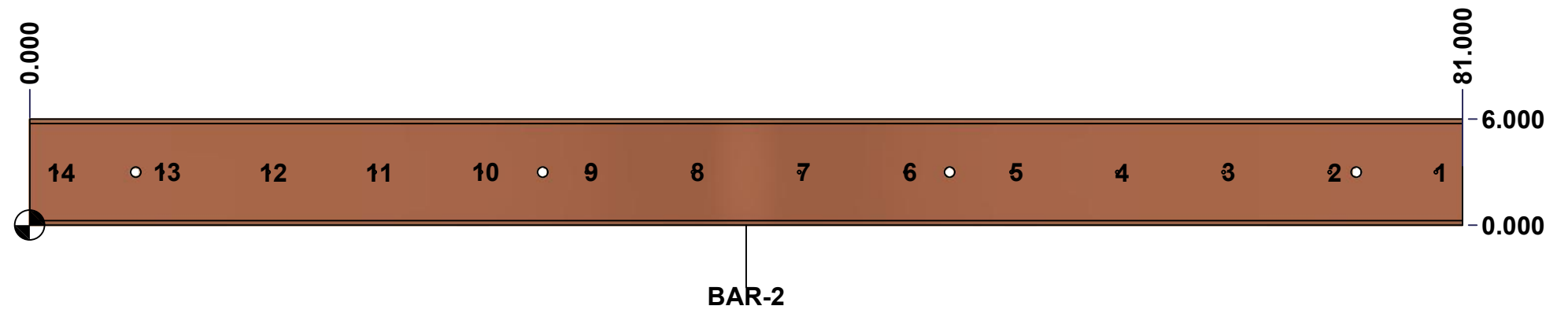
This drawing is confidential and must not be reproduced or used without the consent of Eurobox

Ce dessin est confidentiel et ne doit pas être reproduit ou utilisé sans le consentement de Eurobox

STANDARD FEATURES ARE NOT LISTED IN THIS HOLE TABLE

HOLE TABLE - FRONT VIEW (CUSTOM FEATURE ONLY)

CUT-OUT	XDIM	YDIM	DESCRIPTION
1	79.500	3.000	RND Ø0.201 THREAD 1/4-20 UNC
2	73.500	3.000	RND Ø0.201 THREAD 1/4-20 UNC
3	67.500	3.000	RND Ø0.201 THREAD 1/4-20 UNC
4	61.500	3.000	RND Ø0.201 THREAD 1/4-20 UNC
5	55.500	3.000	RND Ø0.201 THREAD 1/4-20 UNC
6	49.500	3.000	RND Ø0.201 THREAD 1/4-20 UNC
7	43.500	3.000	RND Ø0.201 THREAD 1/4-20 UNC
8	37.500	3.000	RND Ø0.201 THREAD 1/4-20 UNC
9	31.500	3.000	RND Ø0.201 THREAD 1/4-20 UNC
10	25.500	3.000	RND Ø0.201 THREAD 1/4-20 UNC
11	19.500	3.000	RND Ø0.201 THREAD 1/4-20 UNC
12	13.500	3.000	RND Ø0.201 THREAD 1/4-20 UNC
13	7.500	3.000	RND Ø0.201 THREAD 1/4-20 UNC
14	1.500	3.000	RND Ø0.201 THREAD 1/4-20 UNC

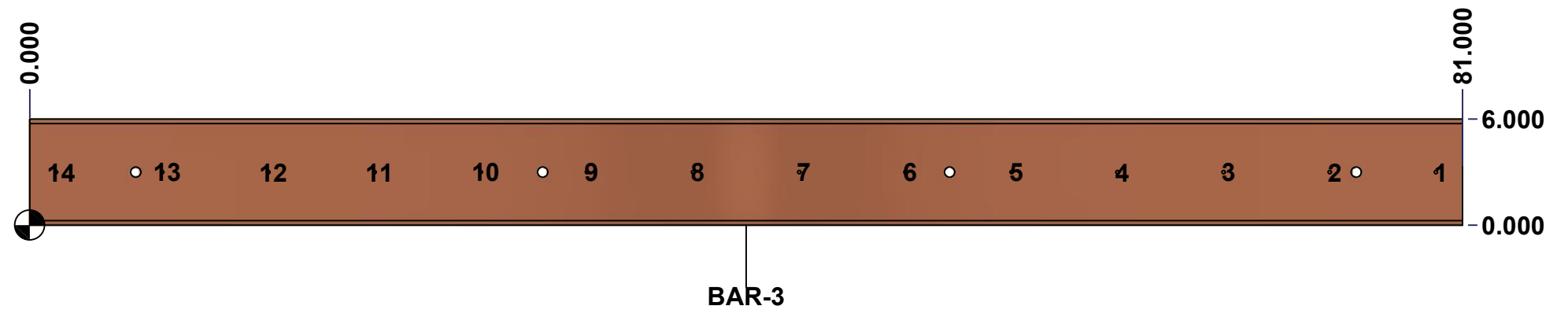


	Description	Status
	Rounded Edge Copper Bar 1/2" x 6"	(NULL)
	Part Number Numéro Pièce	Rev.
	1412BTSSCU092505DTBAR2-P0	8
		18

This drawing is confidential and must not be reproduced or used without the consent of Eurobox

Ce dessin est confidentiel et ne doit pas être reproduit ou utilisé sans le consentement de Eurobox

STANDARD FEATURES ARE NOT LISTED IN THIS HOLE TABLE			
HOLE TABLE - FRONT VIEW (CUSTOM FEATURE ONLY)			
CUT-OUT	XDIM	YDIM	DESCRIPTION
1	79.500	3.000	RND Ø0.201 THREAD 1/4-20 UNC
2	73.500	3.000	RND Ø0.201 THREAD 1/4-20 UNC
3	67.500	3.000	RND Ø0.201 THREAD 1/4-20 UNC
4	61.500	3.000	RND Ø0.201 THREAD 1/4-20 UNC
5	55.500	3.000	RND Ø0.201 THREAD 1/4-20 UNC
6	49.500	3.000	RND Ø0.201 THREAD 1/4-20 UNC
7	43.500	3.000	RND Ø0.201 THREAD 1/4-20 UNC
8	37.500	3.000	RND Ø0.201 THREAD 1/4-20 UNC
9	31.500	3.000	RND Ø0.201 THREAD 1/4-20 UNC
10	25.500	3.000	RND Ø0.201 THREAD 1/4-20 UNC
11	19.500	3.000	RND Ø0.201 THREAD 1/4-20 UNC
12	13.500	3.000	RND Ø0.201 THREAD 1/4-20 UNC
13	7.500	3.000	RND Ø0.201 THREAD 1/4-20 UNC
14	1.500	3.000	RND Ø0.201 THREAD 1/4-20 UNC

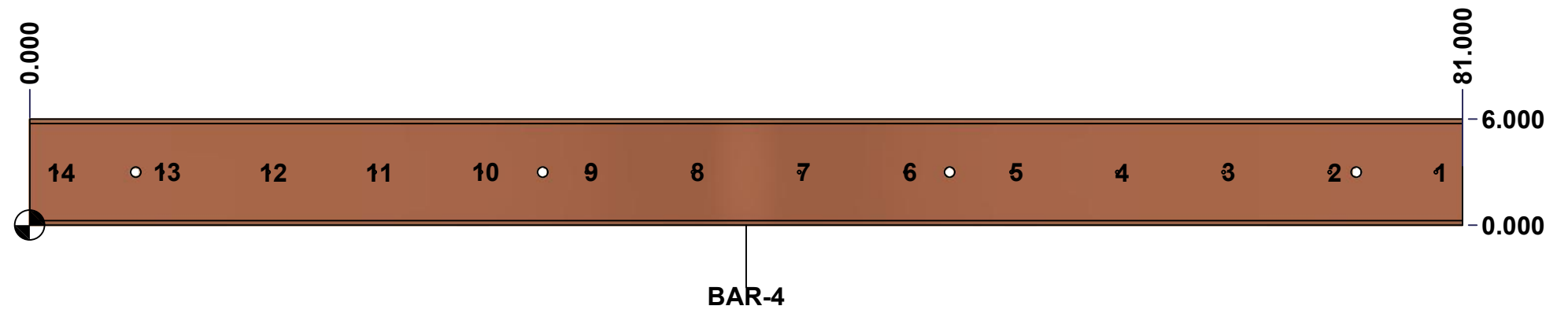


	Description	Status
	Rounded Edge Copper Bar 1/2" x 6"	(NULL)
	Part Number Numéro Pièce	Rev.
	1412BTSSCU092505DTBAR3-P0	9
		18

This drawing is confidential and must not be reproduced or used without the consent of Eurobox

Ce dessin est confidentiel et ne doit pas être reproduit ou utilisé sans le consentement de Eurobox

STANDARD FEATURES ARE NOT LISTED IN THIS HOLE TABLE			
HOLE TABLE - FRONT VIEW (CUSTOM FEATURE ONLY)			
CUT-OUT	XDIM	YDIM	DESCRIPTION
1	79.500	3.000	RND Ø0.201 THREAD 1/4-20 UNC
2	73.500	3.000	RND Ø0.201 THREAD 1/4-20 UNC
3	67.500	3.000	RND Ø0.201 THREAD 1/4-20 UNC
4	61.500	3.000	RND Ø0.201 THREAD 1/4-20 UNC
5	55.500	3.000	RND Ø0.201 THREAD 1/4-20 UNC
6	49.500	3.000	RND Ø0.201 THREAD 1/4-20 UNC
7	43.500	3.000	RND Ø0.201 THREAD 1/4-20 UNC
8	37.500	3.000	RND Ø0.201 THREAD 1/4-20 UNC
9	31.500	3.000	RND Ø0.201 THREAD 1/4-20 UNC
10	25.500	3.000	RND Ø0.201 THREAD 1/4-20 UNC
11	19.500	3.000	RND Ø0.201 THREAD 1/4-20 UNC
12	13.500	3.000	RND Ø0.201 THREAD 1/4-20 UNC
13	7.500	3.000	RND Ø0.201 THREAD 1/4-20 UNC
14	1.500	3.000	RND Ø0.201 THREAD 1/4-20 UNC



	Description	Status	
	Rounded Edge Copper Bar 1/2" x 6"	(NULL)	
	Part Number Numéro Pièce	Rev.	10
	1412BTSSCU092505DTBAR4-P0		18

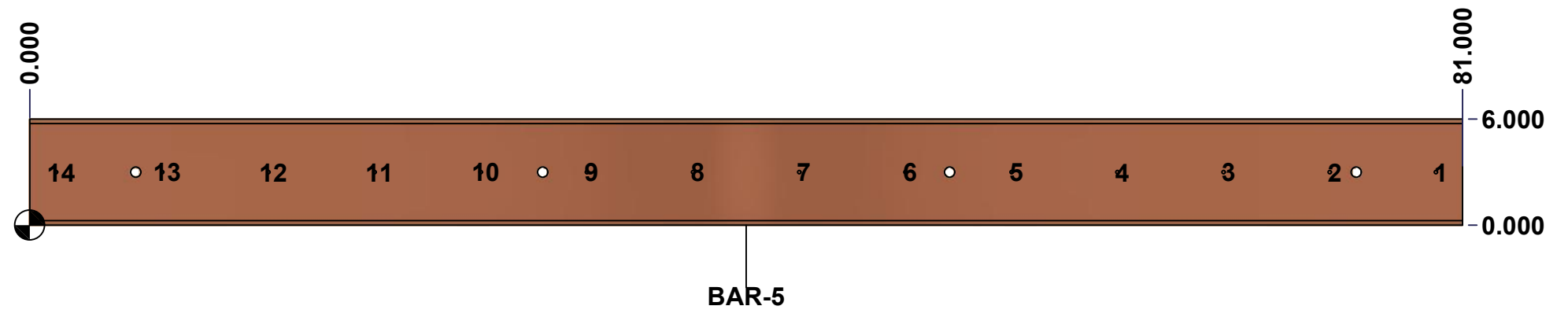
This drawing is confidential and must not be reproduced or used without the consent of Eurobox

Ce dessin est confidentiel et ne doit pas être reproduit ou utilisé sans le consentement de Eurobox

STANDARD FEATURES ARE NOT LISTED IN THIS HOLE TABLE

HOLE TABLE - FRONT VIEW (CUSTOM FEATURE ONLY)

CUT-OUT	XDIM	YDIM	DESCRIPTION
1	79.500	3.000	RND Ø0.201 THREAD 1/4-20 UNC
2	73.500	3.000	RND Ø0.201 THREAD 1/4-20 UNC
3	67.500	3.000	RND Ø0.201 THREAD 1/4-20 UNC
4	61.500	3.000	RND Ø0.201 THREAD 1/4-20 UNC
5	55.500	3.000	RND Ø0.201 THREAD 1/4-20 UNC
6	49.500	3.000	RND Ø0.201 THREAD 1/4-20 UNC
7	43.500	3.000	RND Ø0.201 THREAD 1/4-20 UNC
8	37.500	3.000	RND Ø0.201 THREAD 1/4-20 UNC
9	31.500	3.000	RND Ø0.201 THREAD 1/4-20 UNC
10	25.500	3.000	RND Ø0.201 THREAD 1/4-20 UNC
11	19.500	3.000	RND Ø0.201 THREAD 1/4-20 UNC
12	13.500	3.000	RND Ø0.201 THREAD 1/4-20 UNC
13	7.500	3.000	RND Ø0.201 THREAD 1/4-20 UNC
14	1.500	3.000	RND Ø0.201 THREAD 1/4-20 UNC



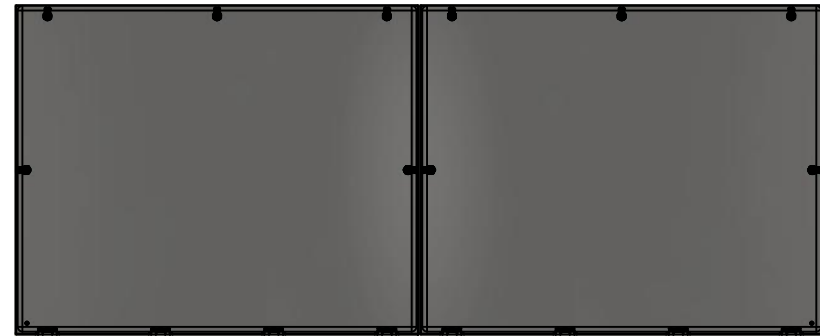
	Description	Status	
	Rounded Edge Copper Bar 1/2" x 6"	(NULL)	
	Part Number	Rev.	11
	Numéro Pièce		
	1412BTSSCU092505DTBAR5-P0		18

This drawing is confidential and must not be reproduced or used without the consent of EXM

Ce dessin est confidentiel et ne doit pas être reproduit ou utilisé sans le consentement de EXM



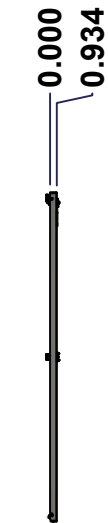
TOP



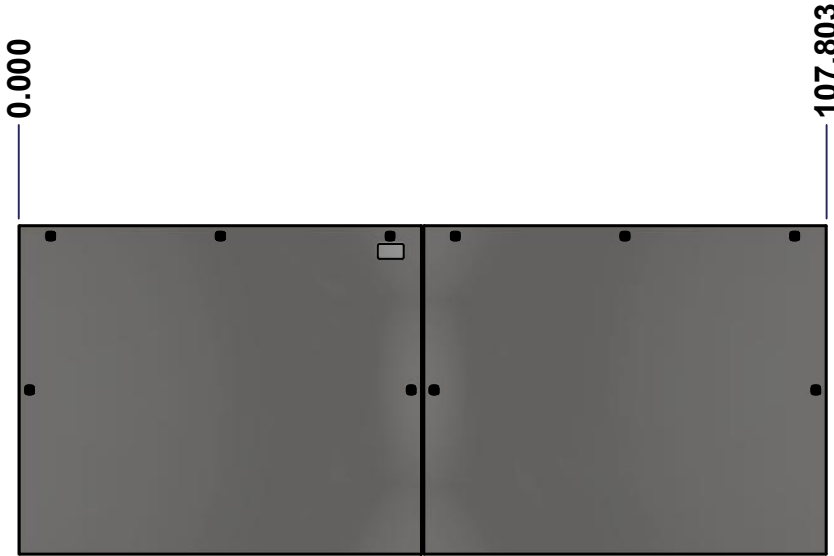
BACK



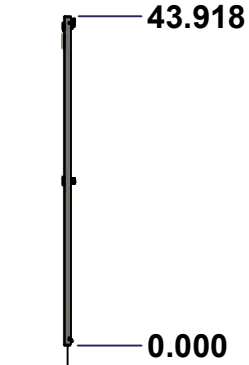
BOTTOM



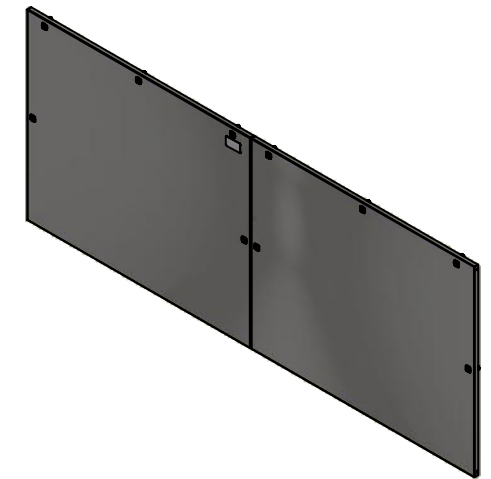
LEFT



FRONT




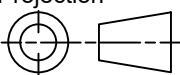
RIGHT



Isometric View



No.	Revisions	Date	By/Par

 Tél: (450) 979-4373 Fax: (450) 979-4626 www.exmweb.com		Flatness Aplatissement Max 3.0mm Projection 
Customer Client	Date	
Drawn By Dessiné Par	BoxCad: BoxCad	Date 10/28/2022
Material Matière	14 Ga Stainless Steel 304 (1.7mm)	
Color Couleur	Unpainted	Finish Fini Brushed
Description	Detail Rev.	
1412BTSSCU 44" x 108" Cover		
Part Number Numéro Pièce	Rev. 0	12 / 18

SEE BILL OF MATERIAL ON LAST PAGE **1412BTSSCU092505DTC**

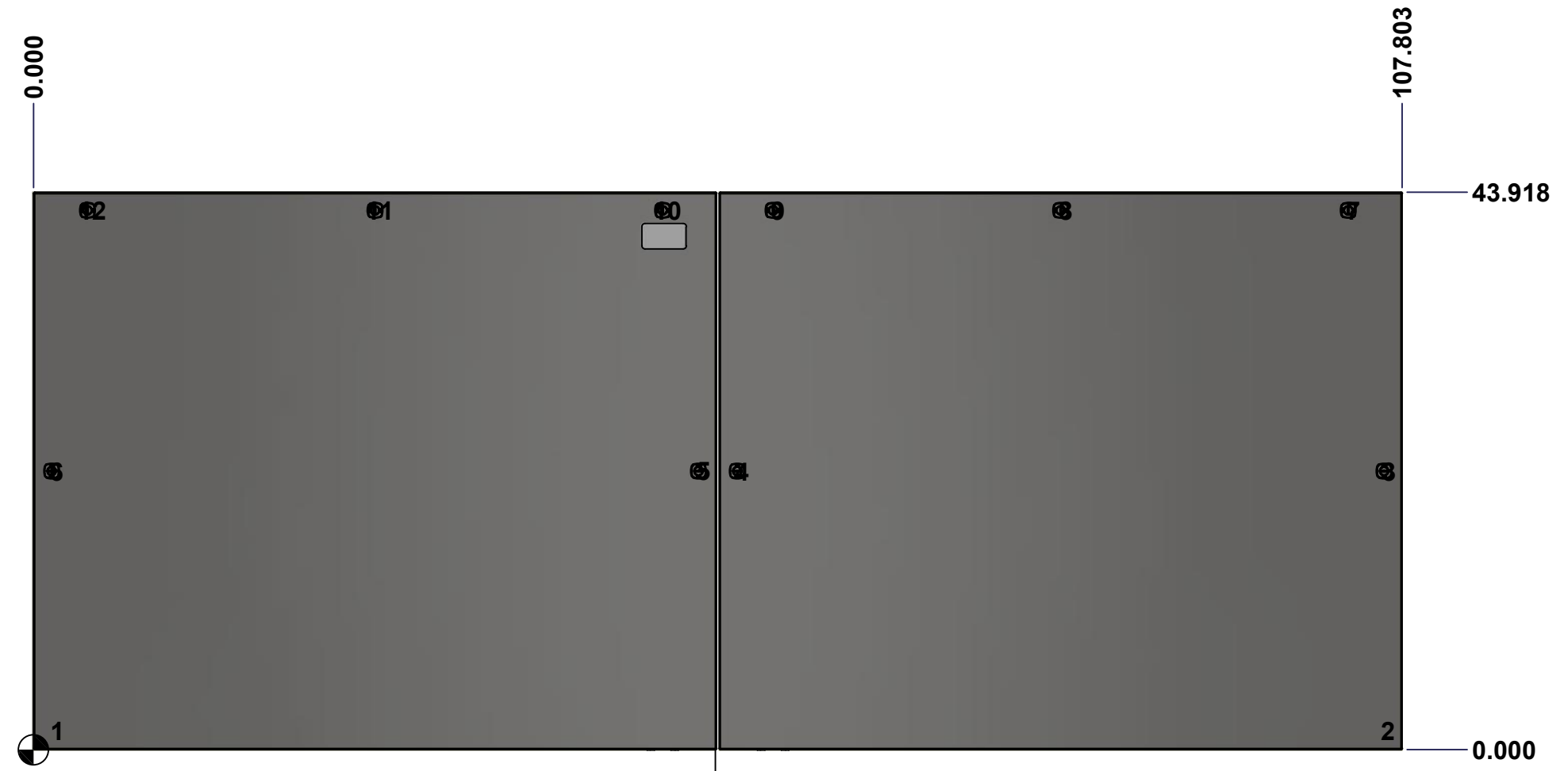
This drawing is confidential and must not be reproduced or used without the consent of Eurobox

Ce dessin est confidentiel et ne doit pas être reproduit ou utilisé sans le consentement de Eurobox

STANDARD FEATURES ARE NOT LISTED IN THIS HOLE TABLE

HOLE TABLE - FRONT VIEW (CUSTOM FEATURE ONLY)

CUT-OUT	XDIM	YDIM	DESCRIPTION
1	1.500	1.486	GND STUD M6 x 16mm (Inside)
2	106.303	1.486	GND STUD M6 x 16mm (Inside)
3	106.379	21.959	LOCK 880 SCQ4-SLSS6 @ 0.0°
4	55.424	21.959	LOCK 880 SCQ4-SLSS6 @ 180.0°
5	52.379	21.959	LOCK 880 SCQ4-SLSS6 @ 0.0°
6	1.424	21.959	LOCK 880 SCQ4-SLSS6 @ 180.0°
7	103.553	42.494	LOCK 880 SCQ4-SLSS6 @ 90.0°
8	80.902	42.494	LOCK 880 SCQ4-SLSS6 @ 90.0°
9	58.250	42.494	LOCK 880 SCQ4-SLSS6 @ 90.0°
10	49.553	42.494	LOCK 880 SCQ4-SLSS6 @ 90.0°
11	26.902	42.494	LOCK 880 SCQ4-SLSS6 @ 90.0°
12	4.250	42.494	LOCK 880 SCQ4-SLSS6 @ 90.0°



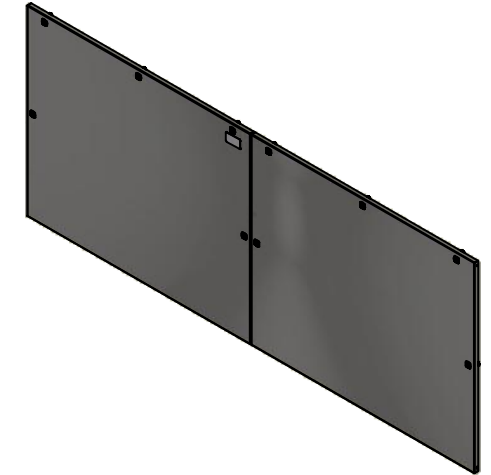
FRONT

	Description	Status
	1412BTSSCU 44" x 108" Cover	(NULL)
	Part Number Numéro Pièce	Rev.
	1412BTSSCU092505DTC	0
		13
		18

This drawing is confidential and must not be reproduced or used without the consent of EXM


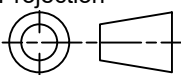
Ce dessin est confidentiel et ne doit pas être reproduit ou utilisé sans le consentement de EXM

No.	Revisions	Date	By/Par



Isometric View



 Tél: (450) 979-4373 Fax: (450) 979-4626 www.exmweb.com		Flatness Aplatissement Max 3.0mm Projection 
Customer Client	Date	
Drawn By Dessiné Par	BoxCad: BoxCad	Date 10/28/2022
Material Matière	14 Ga Stainless Steel 304 (1.7mm)	
Color Couleur	Unpainted	Finish Fini Brushed
Description	Detail Rev.	
1412BTSSCU 44" x 108" Cover		
Part Number Numéro Pièce	Rev. 0	14 / 18
1412BTSSCU092505DTC		

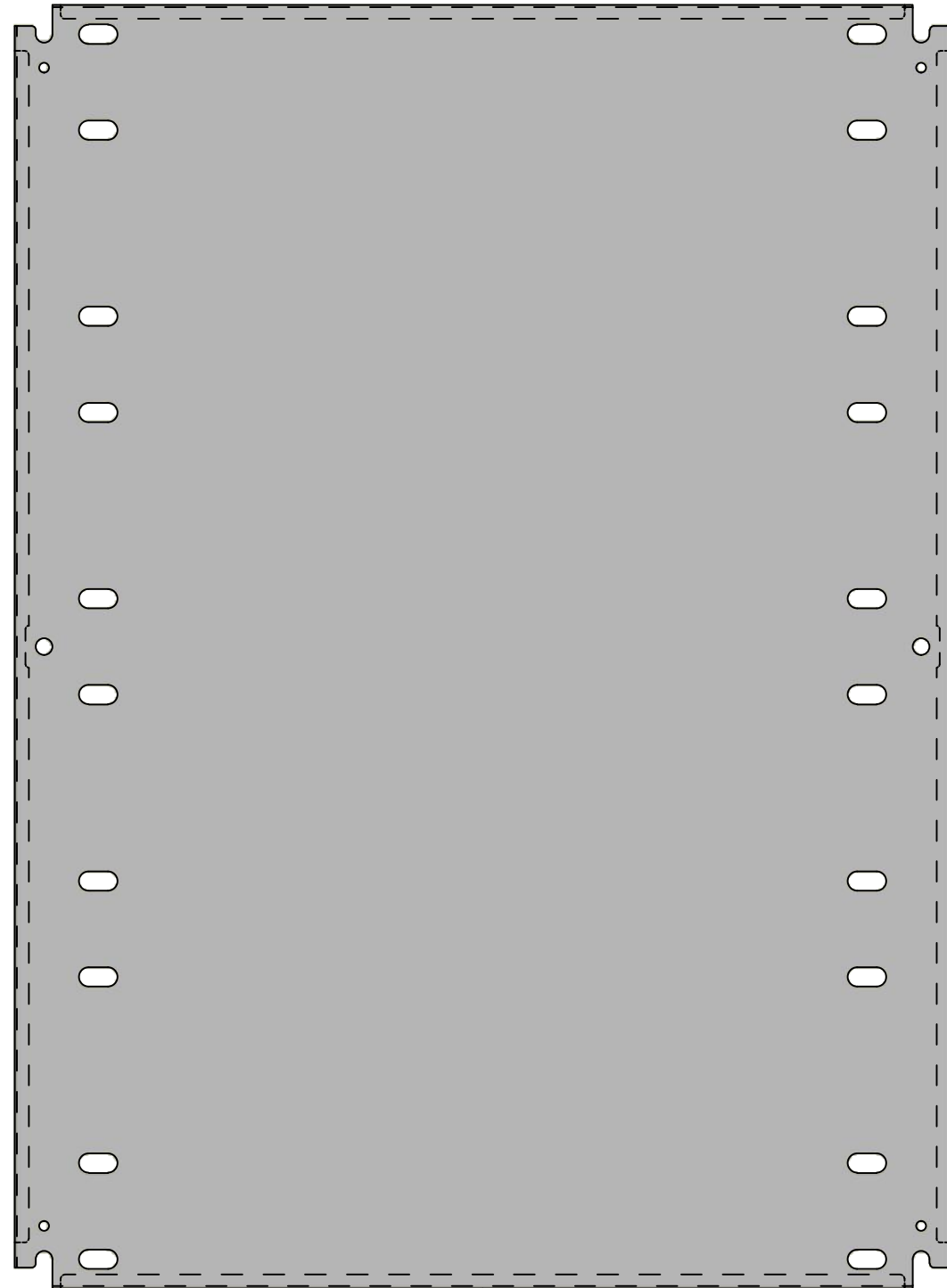
Qty	Part Name	Rev	Description
2	1412BTSSCU092505DTG	0	1412BTSSCU 44" x 108" Cover Gasket
8	STK-K-09850	6	5412 ESS Hinge with 2 Captive Hinge Pins
2	STK-Q-16095	0	M6 x 16mm Stainless Steel Ground Stud
1	STK-S-00100	0	3.5" x 2" Silver Milar Flexcon Sticker
1	1412BTSSCU092505DTC-P	0	1412BTSSCU 44" x 54" Left Cover Part
1	1412BTSSCU092505DTF-P	0	1412BTSSCU 44" x 108" Right Cover Part
10	880 SCQ4-SLSS6	7	5412 ESS 1/4 Turn Lock
Parts List			

This drawing is confidential and must not be reproduced or used without the consent of EXM

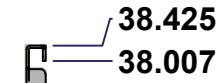
Ce dessin est confidentiel et ne doit pas être reproduit ou utilisé sans le consentement de EXM



TOP



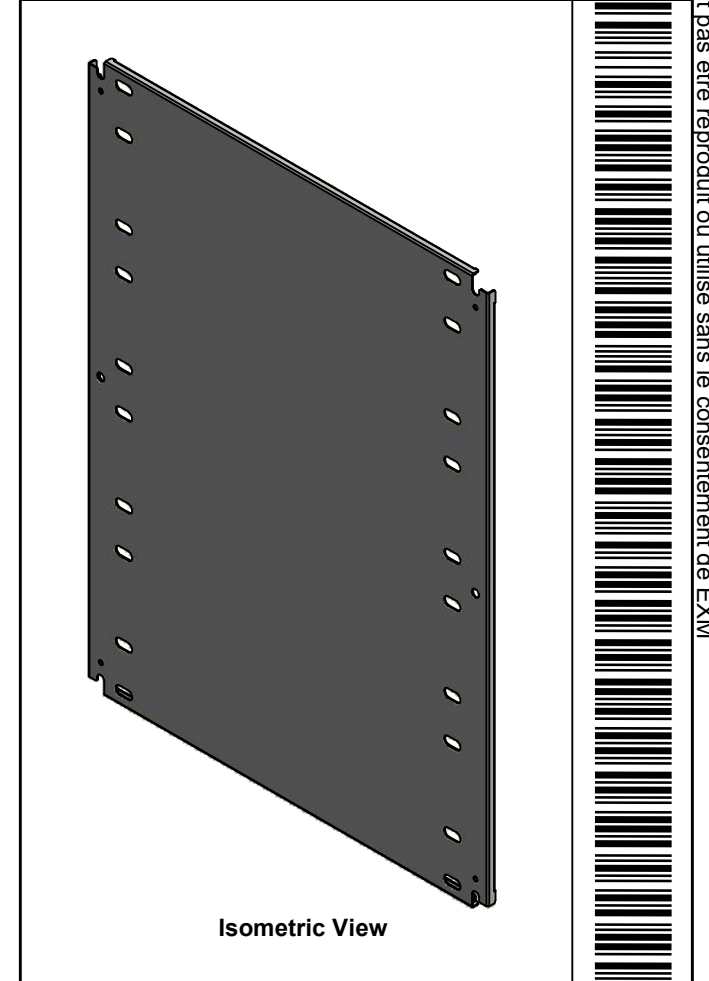
FRONT



RIGHT



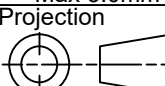


No.	Revisions	Date	By/Par



Isometric View



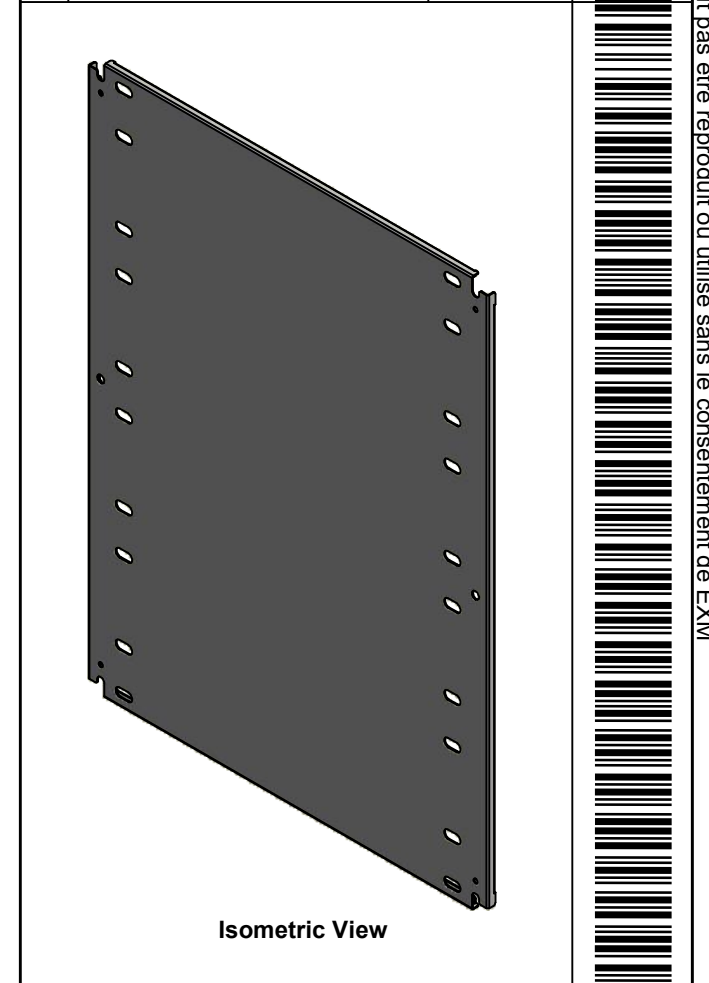
 Tél: (450) 979-4373 Fax: (450) 979-4626 www.exmweb.com		Flatness Aplatissement  Max 3.0mm Projection 
Customer Client	Date	
Drawn By Dessiné Par	BoxCad: BoxCad	Date 10/28/2022
Material Matière	14 Ga Cold Rolled A1008 CS Type B (1.7mm)	
Color Couleur	White RAL9003	Finish Fini Smooth
Description	Detail Rev.	
1412BTSSCU 38.425" x 28" Left Inner Panel		
Part Number Numéro Pièce	Rev.	15
1412BTSSCU092505DTIP1	0	18


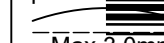
SEE BILL OF MATERIAL ON LAST PAGE

This drawing is confidential and must not be reproduced or used without the consent of EXM

Ce dessin est confidentiel et ne doit pas être reproduit ou utilisé sans le consentement de EXM

No.	Revisions	Date	By/Par

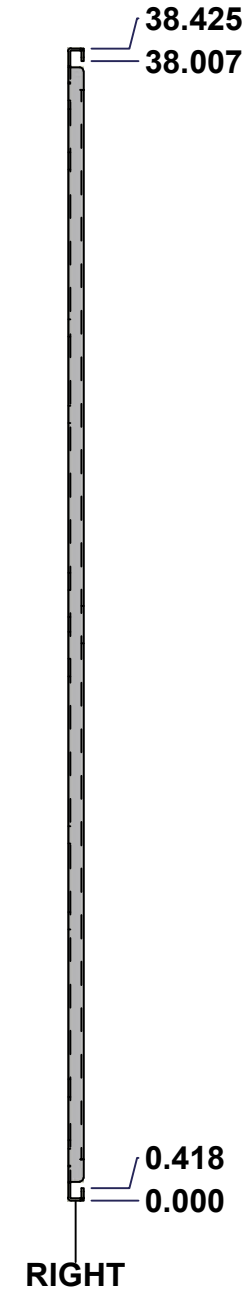
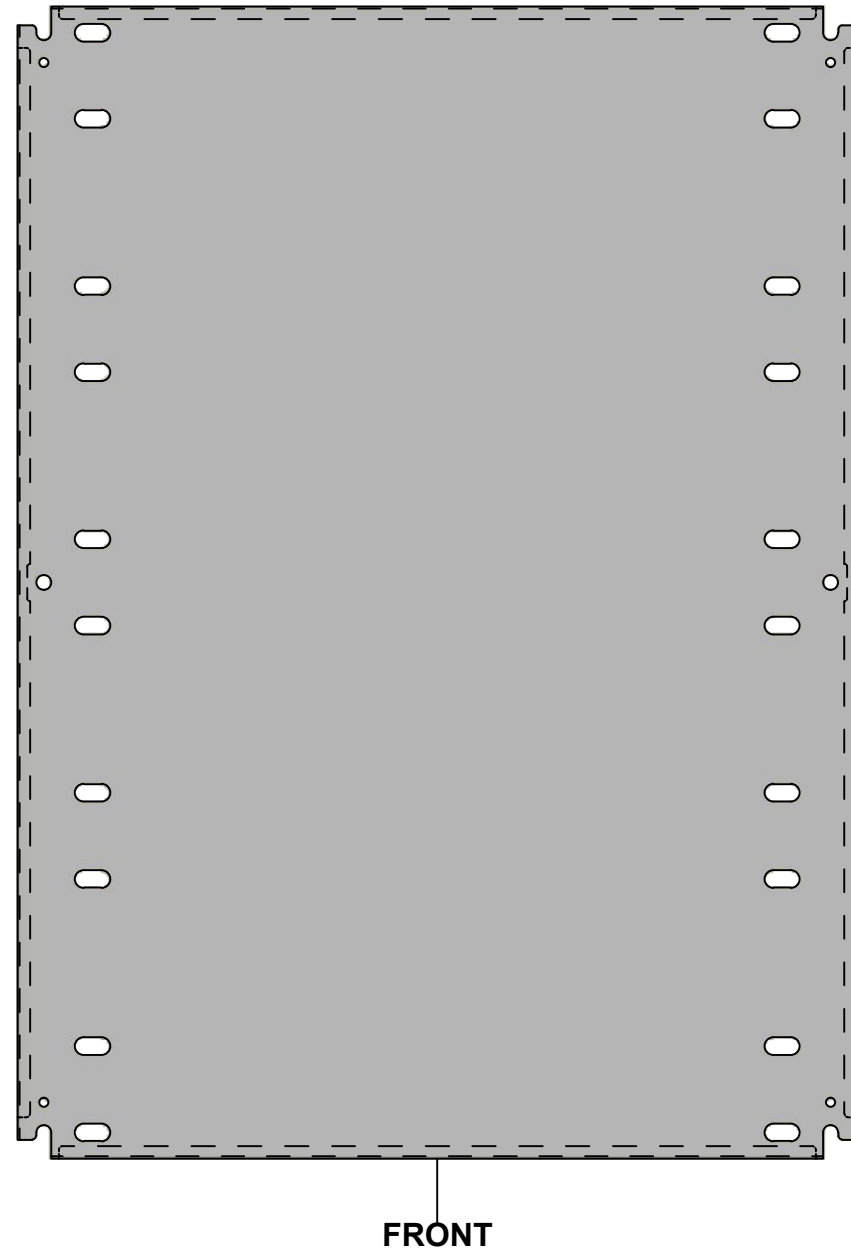
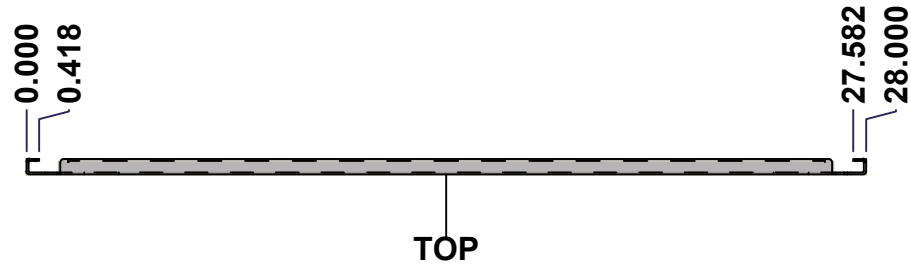


 Tél: (450) 979-4373 Fax: (450) 979-4626 www.exmweb.com		Flatness Aplatissement  Max 3.0mm
Customer Client		Date
Drawn By Dessiné Par BoxCad: BoxCad		Date 10/28/2022
Material Matière 14 Ga Cold Rolled A1008 CS Type B (1.7mm)		
Color Couleur White RAL9003	Finish Fini Smooth	
Description 1412BTSSCU 38.425" x 28" Left Inner Panel		Detail Rev.
Part Number Numéro Pièce 1412BTSSCU092505DTIP1		Rev. 0
Qty Part Number Rev Description		16 18

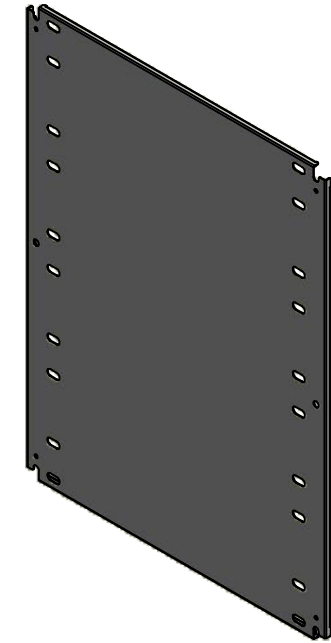
Qty	Part Number	Rev	Description
1	STK-P-02401S	0	Powder Paint (White / Smooth)
1	1412BTSSCU092505DTIP 1-P	0	1412BTSSCU 38.425" x 108" Left Inner Panel Part
Parts List			

This drawing is confidential and must not be reproduced or used without the consent of EXM

Ce dessin est confidentiel et ne doit pas être reproduit ou utilisé sans le consentement de EXM



No.	Revisions	Date	By/Par



Isometric View



Tél: (450) 979-4373
Fax: (450) 979-4626
www.exmweb.com

Flatness
Aplatissement
Max 3.0mm
Projection

Customer Client	Date
Drawn By Dessiné Par BoxCad: BoxCad	Date 10/28/2022
Material Matière 14 Ga Cold Rolled A1008 CS Type B (1.7mm)	

Color Couleur White RAL9003	Finish Fini Smooth
--------------------------------	-----------------------

Description 1412BTSSCU 38.425" x 28" Right Inner Panel	Detail Rev.
---	-------------

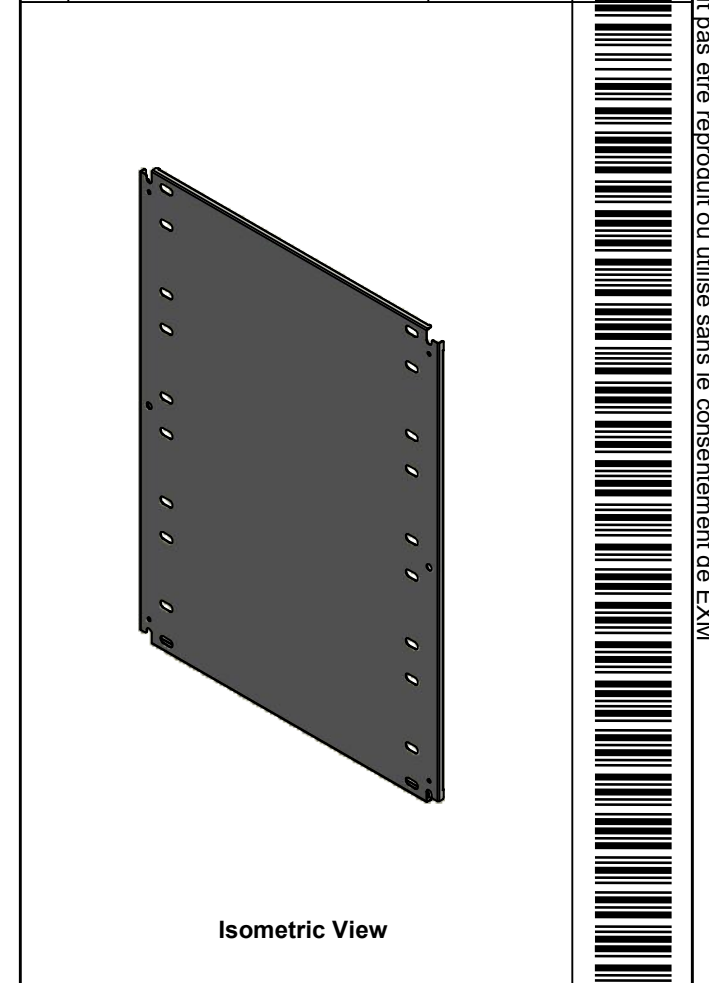
Part Number Numéro Pièce 1412BTSSCU092505DTIP2	Rev. 0	17 18
--	---------------	----------


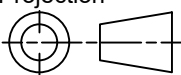
SEE BILL OF MATERIAL ON LAST PAGE

This drawing is confidential and must not be reproduced or used without the consent of EXM

Ce dessin est confidentiel et ne doit pas être reproduit ou utilisé sans le consentement de EXM

No.	Revisions	Date	By/Par



 Tél: (450) 979-4373 Fax: (450) 979-4626 www.exmweb.com		Flatness Aplatissement Max 3.0mm Projection 
Customer Client	Date	
Drawn By Dessiné Par	BoxCad: BoxCad	Date 10/28/2022
Material Matière	14 Ga Cold Rolled A1008 CS Type B (1.7mm)	
Color Couleur	White RAL9003	Finish Fini Smooth
Description		Detail Rev.
1412BTSSCU 38.425" x 28" Right Inner Panel		
Part Number Numéro Pièce	Rev.	18
1412BTSSCU092505DTIP2	0	18

Qty	Part Number	Rev	Description
1	STK-P-02401S	0	Powder Paint (White / Smooth)
1	1412BTSSCU092505DTIP 2-P	0	1412BTSSCU 38.425" x 108" Right Inner Panel Part
Parts List			