

This drawing is confidential and must not be reproduced or used without the consent of EXM

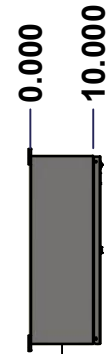
Ce dessin est confidentiel et ne doit pas être reproduit ou utilisé sans le consentement de EXM



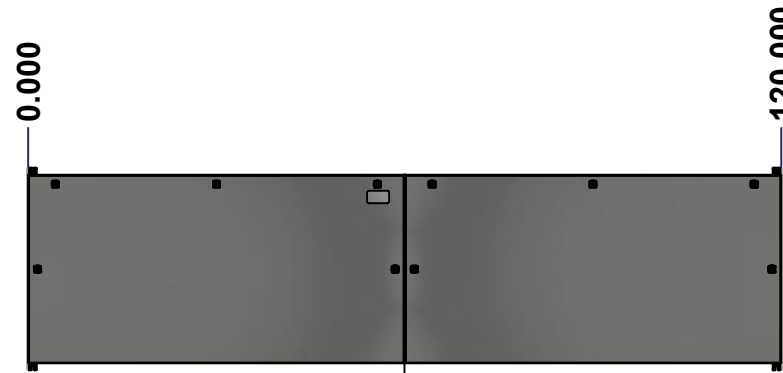
TOP



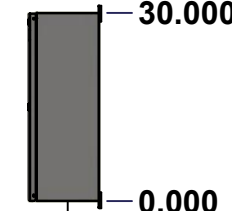
LEFT



LEFT



FRONT

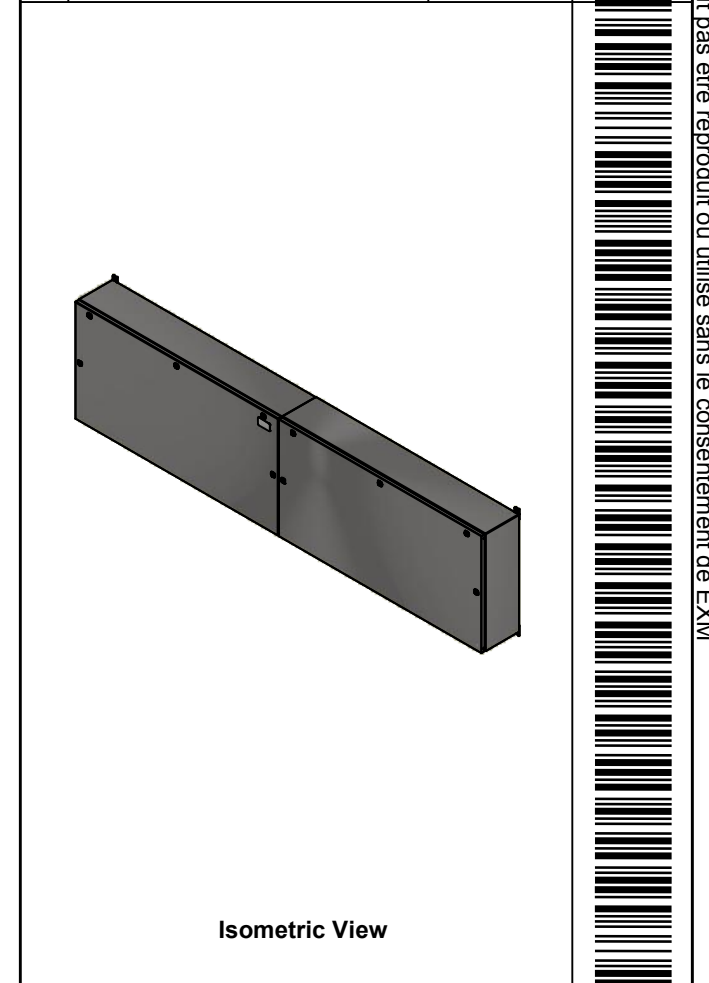



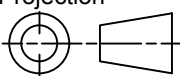
RIGHT



BOTTOM

No.	Revisions	Date	By/Par



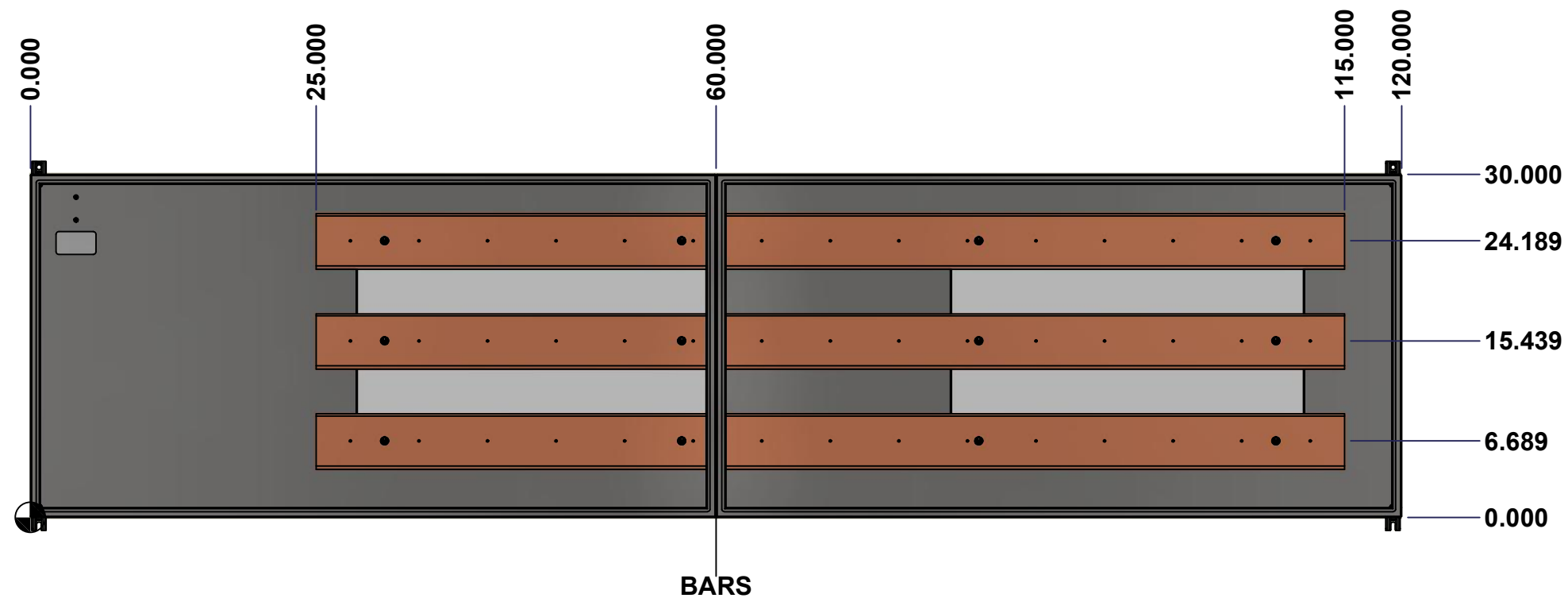
 Tél: (450) 979-4373 Fax: (450) 979-4626 <a href="http://www.exmweb.com">www.exmweb.com</a>		Flatness Aplatissement Max 3.0mm Projection 
Customer Client	Date	
Drawn By Dessiné Par	BoxCad: BoxCad	Date 27-Oct-22
Material Matière	14 Ga Stainless Steel 304 (1.7mm)	
Color Couleur	Unpainted	Finish Fini Brushed
Description	Detail Rev.	
1412BTSSCU 2000A - 3Wires x 120" Assembly		
Part Number Numéro Pièce	Rev.	1
1412BTSSCU102003DT	0	16

SEE BILL OF MATERIAL ON LAST PAGE

This drawing is confidential and must not be reproduced or used without the consent of Eurobox

**STANDARD FEATURES ARE NOT LISTED IN THIS HOLE TABLE**

Ce dessin est confidentiel et ne doit pas être reproduit ou utilisé sans le consentement de Eurobox



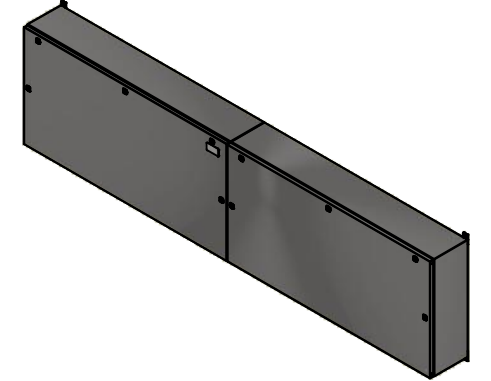
	Description 1412BTSSCU 2000A - 3Wires x 120" Assembly		Status (NULL)
	Part Number Numéro Pièce <b>1412BTSSCU102003DT</b>		Rev. 2 <b>0</b>

This drawing is confidential and must not be reproduced or used without the consent of EXM

Ce dessin est confidentiel et ne doit pas être reproduit ou utilisé sans le consentement de EXM

NOTE	
ITEM	DESCRIPTION
1	NEMA 4X Enclosure
2	C/W Standard ground studs on box and cover
3	W/O Standard door stiffener
4	C/W Special inner panel (Sold separately)
5	C/W Standard inner panel mounting studs

No.	Revisions	Date	By/Par



Isometric View



8	STK-Q-04051-07	8	M6 x 7mm Stainless Steel Hexagon Socket Head Machine Screw with Nyseal
1	885 ESMF2	0	885 ESMF2 Stainless Steel Mounting Feet Kit
1	1412BTSSCU102003DTIP 2	0	1412BTSSCU 22.125" x 31" Right Inner Panel
1	1412BTSSCU102003DTB AR1-P	0	Rounded Edge Copper Bar 1/2" x 5"
1	1412BTSSCU102003DTB AR2-P	0	Rounded Edge Copper Bar 1/2" x 5"
1	1412BTSSCU102003DTB AR3-P	0	Rounded Edge Copper Bar 1/2" x 5"
1	1412BTSSCU102003DTIP 1	0	1412BTSSCU 22.125" x 31" Left Inner Panel
12	STK-A-67400	0	Buss Bar Insulator Kit
1	STK-K-01800	5	5412 ES Accessory Kit
20	STK-Q-07310	2	Flange Lock Nut M8
8	STK-Q-07610	8	M8 Plastic Spacer 22.2mm
1	1412BTSSCU102003DTB	0	1412BTSSCU 30" x 120" x 10" Body
1	1412BTSSCU102003DTC	0	1412BTSSCU 30" x 120" Cover
Qty	Part Number	Rev	Description
Parts List			

PACKING		
ITEM	QTY	DESCRIPTION
Cardboard sleeve	2	Top and Bottom
Cardboard strip	2	Between back of enclosure and inner panel
Plastic bag	1	To protect cover surface and inside gasket
Cardboard corner	4	To reinforced for the plastic strap tightening
Plastic strap - Black	2	To Squeeze 2 cardboard sleeve together
Packaging label	3	White label with PN
Plastic strap- Green	2	To secure the enclosure to the wood pallet
Wood Pallet	1	2" deeper and 3" larger than enclosure size

Tél: (450) 979-4373  
Fax: (450) 979-4626  
[www.exmweb.com](http://www.exmweb.com)

Flatness  
Aplatissement  
Max 3.0mm

Projection

Customer Client	Date
Drawn By Dessiné Par: BoxCad: BoxCad	Date: 27-Oct-22
Material Matière: 14 Ga Stainless Steel 304 (1.7mm)	
Color Couleur: Unpainted	Finish Fini: Brushed
Description: 1412BTSSCU 2000A - 3Wires x 120" Assembly	Detail Rev.
Part Number Numéro Pièce: <b>1412BTSSCU102003DT</b>	Rev. <b>0</b>

This drawing is confidential and must not be reproduced or used without the consent of EXM

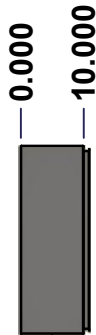
Ce dessin est confidentiel et ne doit pas être reproduit ou utilisé sans le consentement de EXM



TOP



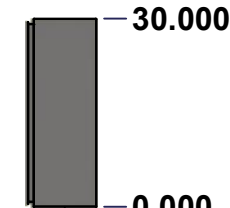
BACK



LEFT



FRONT

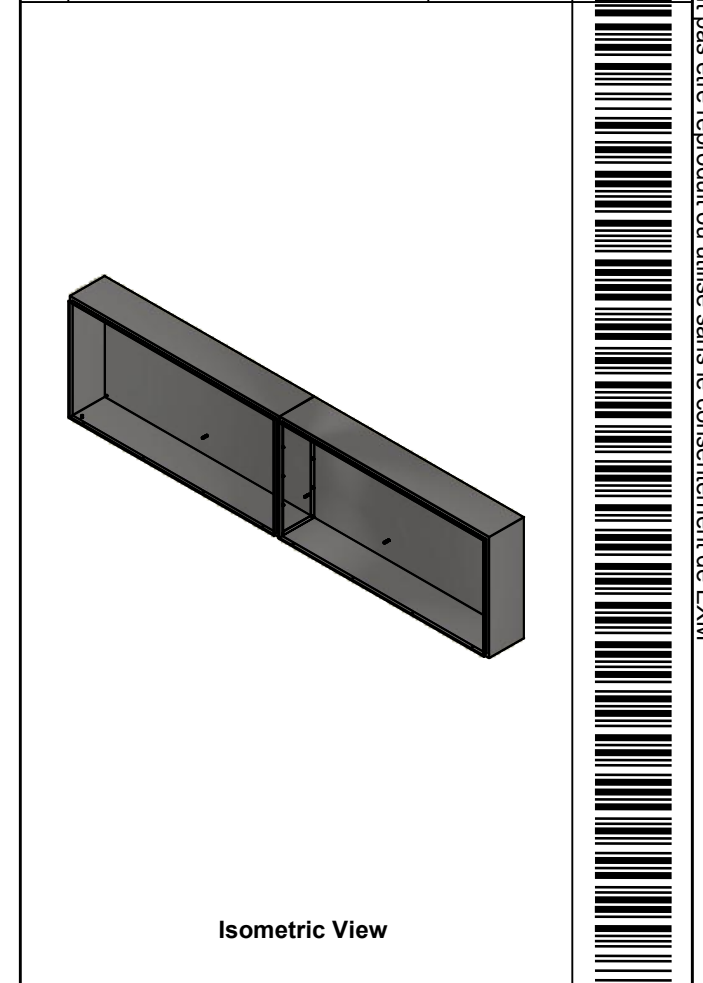


RIGHT




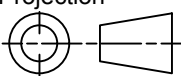
BOTTOM

No.	Revisions	Date	By/Par



Isometric View

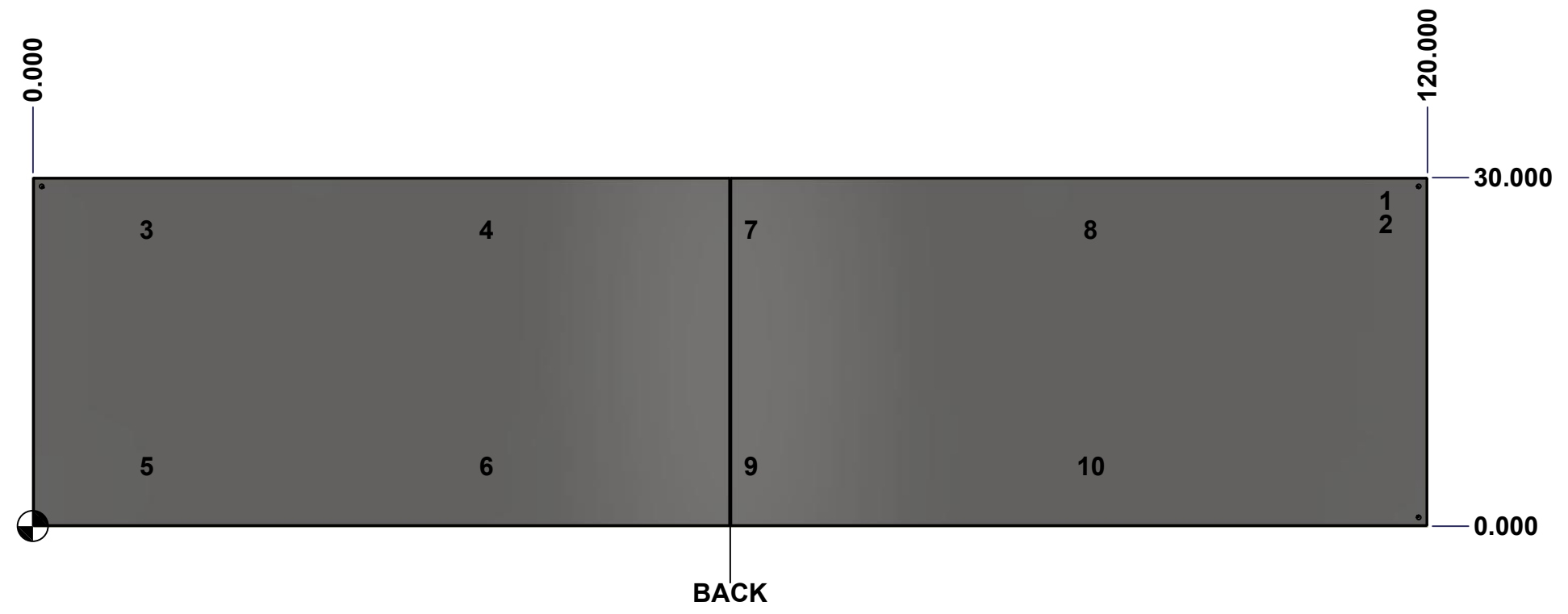


 Tél: (450) 979-4373 Fax: (450) 979-4626 <a href="http://www.exmweb.com">www.exmweb.com</a>		Flatness Aplatissement Max 3.0mm Projection 
Customer Client	Date	
Drawn By Dessiné Par	BoxCad: BoxCad	Date 27-Oct-22
Material Matière	14 Ga Stainless Steel 304 (1.7mm)	
Color Couleur	Unpainted	Finish Fini Brushed
Description 1412BTSSCU 30" x 120" x 10" Body		Detail Rev.
Part Number Numéro Pièce	1412BTSSCU102003DTB	Rev. 4
SEE BILL OF MATERIAL ON LAST PAGE		0

This drawing is confidential and must not be reproduced or used without the consent of Eurobox

Ce dessin est confidentiel et ne doit pas être reproduit ou utilisé sans le consentement de Eurobox

STANDARD FEATURES ARE NOT LISTED IN THIS HOLE TABLE			
HOLE TABLE - BACK VIEW (CUSTOM FEATURE ONLY)			
CUT-OUT	XDIM	YDIM	DESCRIPTION
1	116.000	28.000	GND STUD M8 x 35mm (Inside)
2	116.000	26.000	GND STUD M8 x 35mm (Inside)
3	9.375	25.500	IP STUD M8 x 35mm (Inside)
4	38.625	25.500	IP STUD M8 x 35mm (Inside)
5	9.375	5.125	IP STUD M8 x 35mm (Inside)
6	38.625	5.125	IP STUD M8 x 35mm (Inside)
7	61.375	25.500	IP STUD M8 x 35mm (Inside)
8	90.625	25.500	IP STUD M8 x 35mm (Inside)
9	61.375	5.125	IP STUD M8 x 35mm (Inside)
10	90.625	5.125	IP STUD M8 x 35mm (Inside)

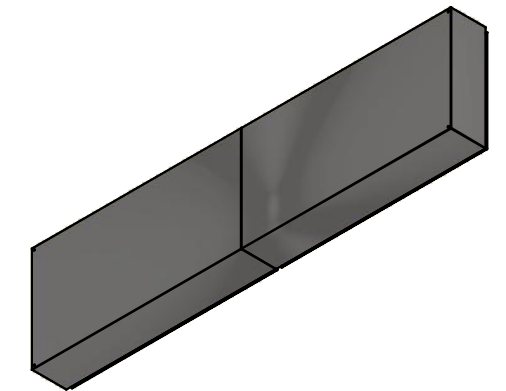


	Description		Status
	1412BTSSCU 30" x 120" x 10" Body		(NULL)
Part Number Numéro Pièce		Rev.	5
<b>1412BTSSCU102003DTB</b>		<b>0</b>	16

This drawing is confidential and must not be reproduced or used without the consent of EXM

Ce dessin est confidentiel et ne doit pas être reproduit ou utilisé sans le consentement de EXM

No.	Revisions	Date	By/Par



Isometric View




 Tél: (450) 979-4373  
 Fax: (450) 979-4626  
[www.exmweb.com](http://www.exmweb.com)

Flatness / Aplatissement: Max 3.0mm  
 Projection: 

Qty	Part Number	Rev	Description
1	1412BTSSCU102003DTB-P	0	1412BTSSCU 30" x 120" x 10" Left Body Part
1	1412BTSSCU102003DTE-P	0	1412BTSSCU 30" x 120" x 10" Right Body Part
1	STK-G-00701	0	1" x 1/4" Self-Adhesive Neoprene Gasket
10	STK-Q-00260	1	M6 x 13mm Carriage Bolt
10	STK-Q-07220	1	M6 Nylon Insert Lock Nut
10	STK-Q-16020	1	Stud M8 x 35mm Stainless Steel
2	STK-Q-16095	0	M6 x 16mm Stainless Steel Ground Stud
1	STK-S-00100	0	3.5" x 2" Silver Milar Flexcon Sticker

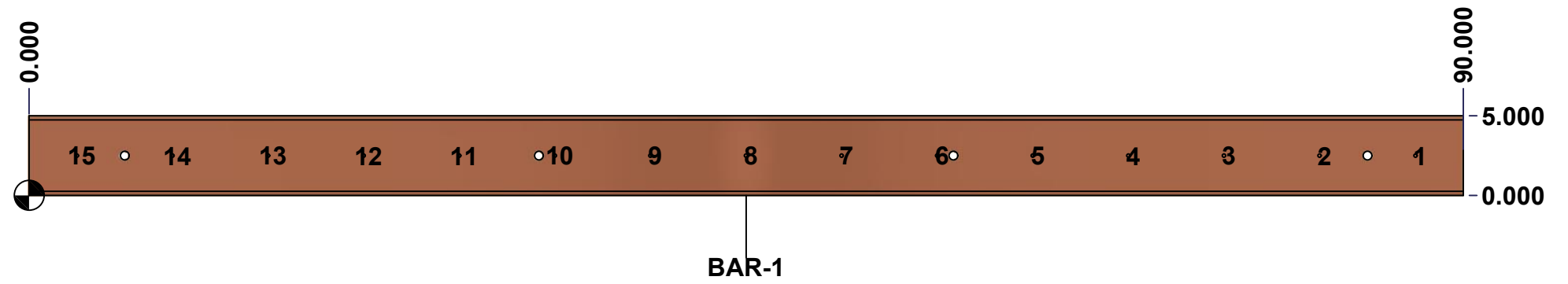
Customer Client	Date
Drawn By / Dessiné Par: BoxCad: BoxCad	Date: 27-Oct-22
Material / Matière: 14 Ga Stainless Steel 304 (1.7mm)	
Color / Couleur: Unpainted	Finish / Fini: Brushed
Description: 1412BTSSCU 30" x 120" x 10" Body	Detail Rev.:
Part Number / Numéro Pièce: <b>1412BTSSCU102003DTB</b>	Rev. <b>0</b>
	6 / 16

Parts List

This drawing is confidential and must not be reproduced or used without the consent of Eurobex

Ce dessin est confidentiel et ne doit pas être reproduit ou utilisé sans le consentement de Eurobex

STANDARD FEATURES ARE NOT LISTED IN THIS HOLE TABLE			
HOLE TABLE - FRONT VIEW (CUSTOM FEATURE ONLY)			
CUT-OUT	XDIM	YDIM	DESCRIPTION
1	87.000	2.500	RND Ø0.201 THREAD 1/4-20 UNC
2	81.000	2.500	RND Ø0.201 THREAD 1/4-20 UNC
3	75.000	2.500	RND Ø0.201 THREAD 1/4-20 UNC
4	69.000	2.500	RND Ø0.201 THREAD 1/4-20 UNC
5	63.000	2.500	RND Ø0.201 THREAD 1/4-20 UNC
6	57.000	2.500	RND Ø0.201 THREAD 1/4-20 UNC
7	51.000	2.500	RND Ø0.201 THREAD 1/4-20 UNC
8	45.000	2.500	RND Ø0.201 THREAD 1/4-20 UNC
9	39.000	2.500	RND Ø0.201 THREAD 1/4-20 UNC
10	33.000	2.500	RND Ø0.201 THREAD 1/4-20 UNC
11	27.000	2.500	RND Ø0.201 THREAD 1/4-20 UNC
12	21.000	2.500	RND Ø0.201 THREAD 1/4-20 UNC
13	15.000	2.500	RND Ø0.201 THREAD 1/4-20 UNC
14	9.000	2.500	RND Ø0.201 THREAD 1/4-20 UNC
15	3.000	2.500	RND Ø0.201 THREAD 1/4-20 UNC

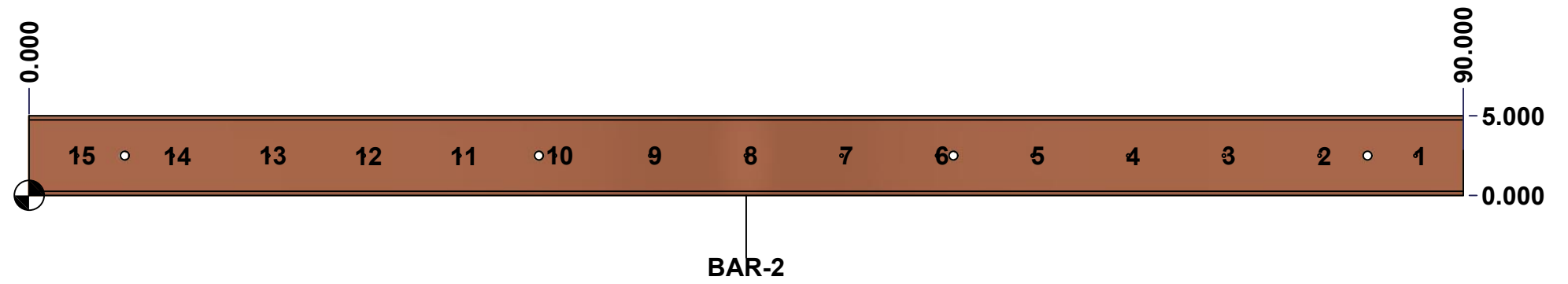


	Description	Status
	Rounded Edge Copper Bar 1/2" x 5"	(NULL)
	Part Number Numéro Pièce	Rev.
	<b>1412BTSSCU102003DTBAR1-P0</b>	7
		16

This drawing is confidential and must not be reproduced or used without the consent of Eurobex

Ce dessin est confidentiel et ne doit pas être reproduit ou utilisé sans le consentement de Eurobex

STANDARD FEATURES ARE NOT LISTED IN THIS HOLE TABLE			
HOLE TABLE - FRONT VIEW (CUSTOM FEATURE ONLY)			
CUT-OUT	XDIM	YDIM	DESCRIPTION
1	87.000	2.500	RND Ø0.201 THREAD 1/4-20 UNC
2	81.000	2.500	RND Ø0.201 THREAD 1/4-20 UNC
3	75.000	2.500	RND Ø0.201 THREAD 1/4-20 UNC
4	69.000	2.500	RND Ø0.201 THREAD 1/4-20 UNC
5	63.000	2.500	RND Ø0.201 THREAD 1/4-20 UNC
6	57.000	2.500	RND Ø0.201 THREAD 1/4-20 UNC
7	51.000	2.500	RND Ø0.201 THREAD 1/4-20 UNC
8	45.000	2.500	RND Ø0.201 THREAD 1/4-20 UNC
9	39.000	2.500	RND Ø0.201 THREAD 1/4-20 UNC
10	33.000	2.500	RND Ø0.201 THREAD 1/4-20 UNC
11	27.000	2.500	RND Ø0.201 THREAD 1/4-20 UNC
12	21.000	2.500	RND Ø0.201 THREAD 1/4-20 UNC
13	15.000	2.500	RND Ø0.201 THREAD 1/4-20 UNC
14	9.000	2.500	RND Ø0.201 THREAD 1/4-20 UNC
15	3.000	2.500	RND Ø0.201 THREAD 1/4-20 UNC



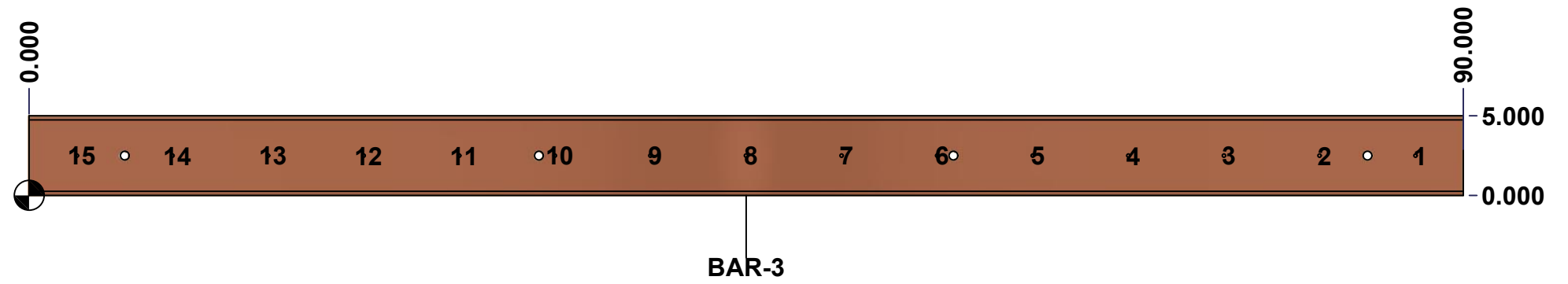
	Description	Status
	Rounded Edge Copper Bar 1/2" x 5"	(NULL)
	Part Number Numéro Pièce	Rev.
	<b>1412BTSSCU102003DTBAR2-P0</b>	8
		16



This drawing is confidential and must not be reproduced or used without the consent of Eurobex

Ce dessin est confidentiel et ne doit pas être reproduit ou utilisé sans le consentement de Eurobex

STANDARD FEATURES ARE NOT LISTED IN THIS HOLE TABLE			
HOLE TABLE - FRONT VIEW (CUSTOM FEATURE ONLY)			
CUT-OUT	XDIM	YDIM	DESCRIPTION
1	87.000	2.500	RND Ø0.201 THREAD 1/4-20 UNC
2	81.000	2.500	RND Ø0.201 THREAD 1/4-20 UNC
3	75.000	2.500	RND Ø0.201 THREAD 1/4-20 UNC
4	69.000	2.500	RND Ø0.201 THREAD 1/4-20 UNC
5	63.000	2.500	RND Ø0.201 THREAD 1/4-20 UNC
6	57.000	2.500	RND Ø0.201 THREAD 1/4-20 UNC
7	51.000	2.500	RND Ø0.201 THREAD 1/4-20 UNC
8	45.000	2.500	RND Ø0.201 THREAD 1/4-20 UNC
9	39.000	2.500	RND Ø0.201 THREAD 1/4-20 UNC
10	33.000	2.500	RND Ø0.201 THREAD 1/4-20 UNC
11	27.000	2.500	RND Ø0.201 THREAD 1/4-20 UNC
12	21.000	2.500	RND Ø0.201 THREAD 1/4-20 UNC
13	15.000	2.500	RND Ø0.201 THREAD 1/4-20 UNC
14	9.000	2.500	RND Ø0.201 THREAD 1/4-20 UNC
15	3.000	2.500	RND Ø0.201 THREAD 1/4-20 UNC



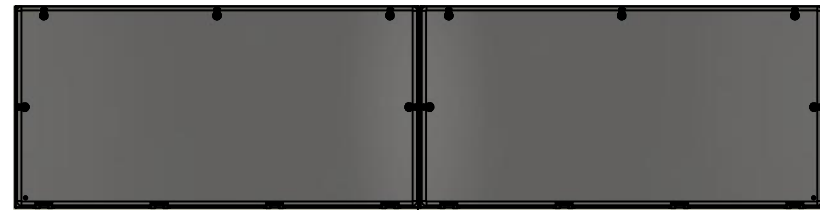
	Description	Status
	Rounded Edge Copper Bar 1/2" x 5"	(NULL)
	Part Number Numéro Pièce	Rev.
	<b>1412BTSSCU102003DTBAR3-P0</b>	9
		16

This drawing is confidential and must not be reproduced or used without the consent of EXM

Ce dessin est confidentiel et ne doit pas être reproduit ou utilisé sans le consentement de EXM



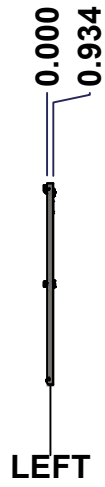
TOP



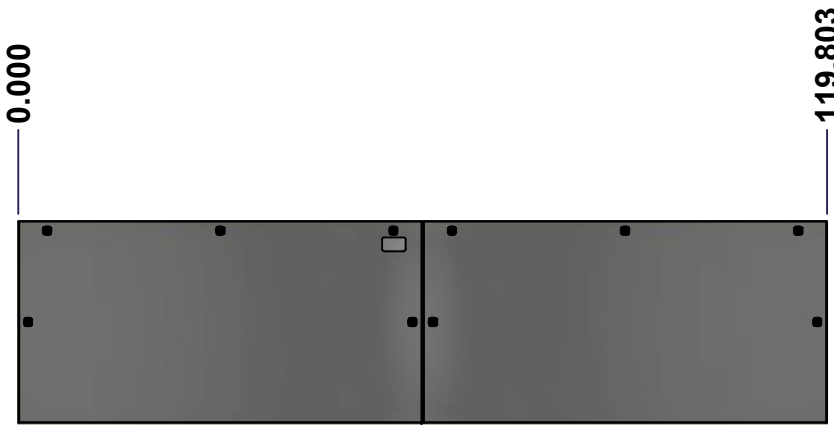
BACK



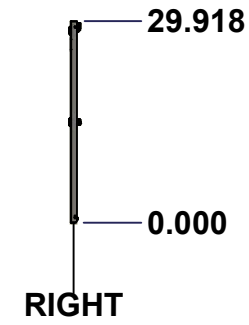
BOTTOM



LEFT

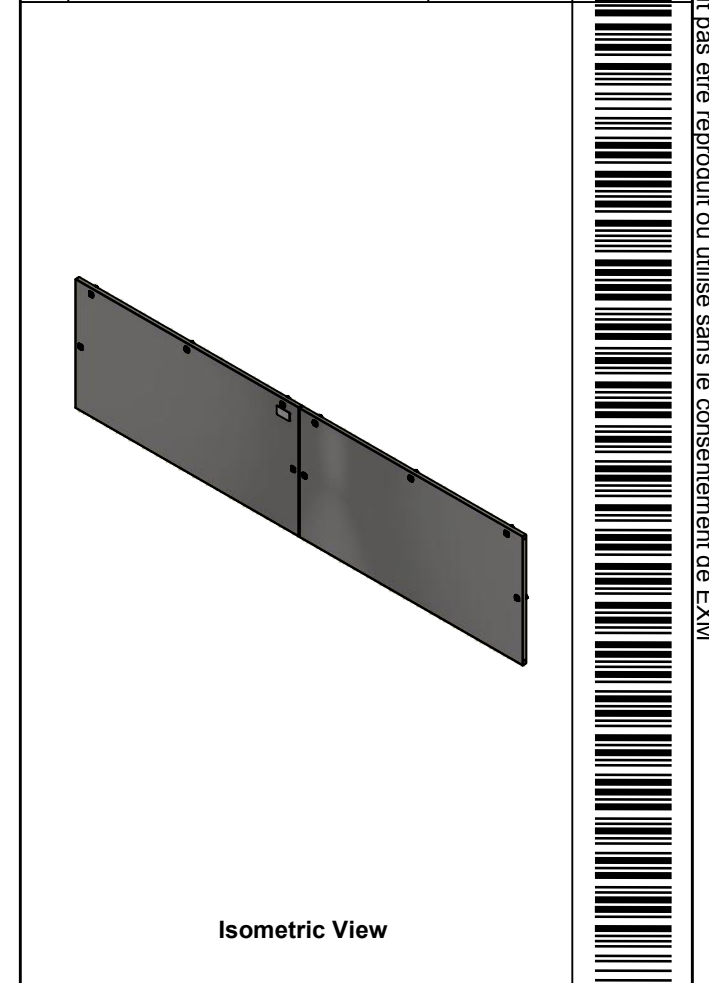



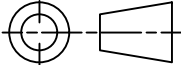
FRONT



RIGHT

No.	Revisions	Date	By/Par



 Tél: (450) 979-4373 Fax: (450) 979-4626 <a href="http://www.exmweb.com">www.exmweb.com</a>		Flatness Aplatissement Max 3.0mm Projection 
Customer Client	Date	
Drawn By Dessiné Par	BoxCad: BoxCad	Date 27-Oct-22
Material Matière	14 Ga Stainless Steel 304 (1.7mm)	
Color Couleur	Unpainted	Finish Fini Brushed
Description 1412BTSSCU 30" x 120" Cover		Detail Rev.
Part Number Numéro Pièce	Rev. 0	10 / 16

SEE BILL OF MATERIAL ON LAST PAGE **1412BTSSCU102003DTC**

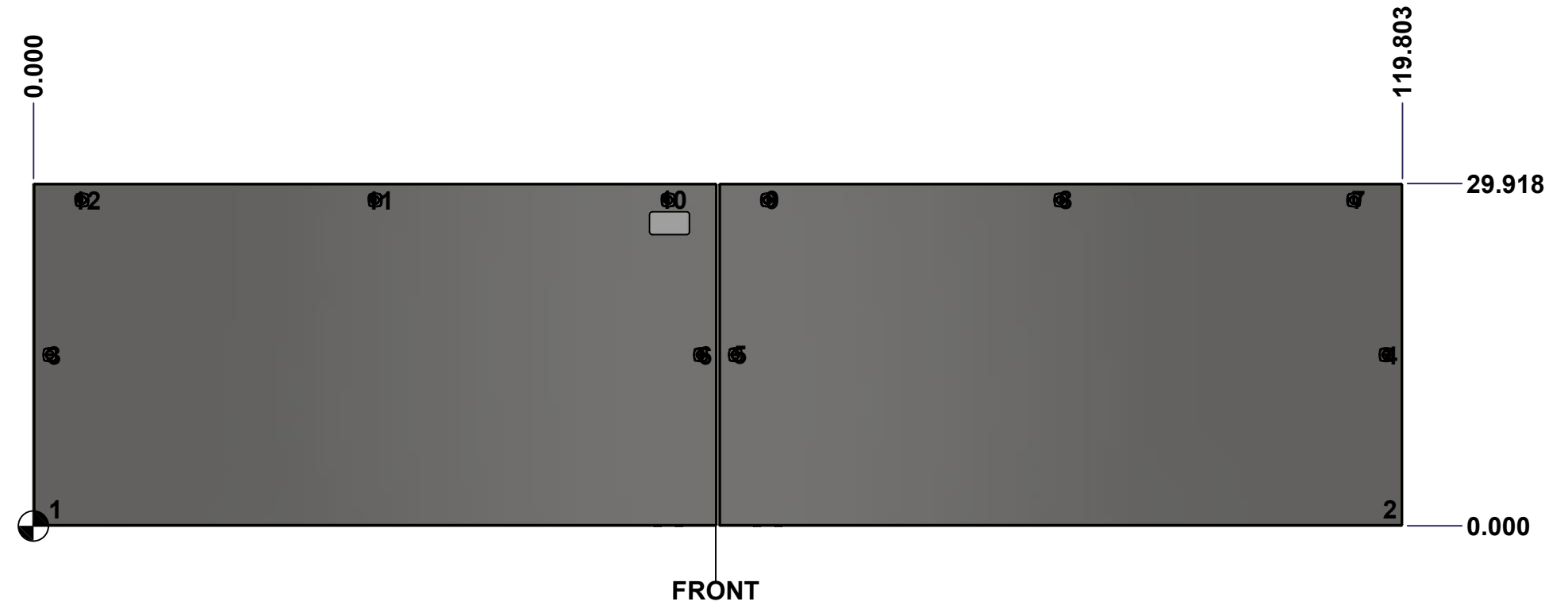
This drawing is confidential and must not be reproduced or used without the consent of Eurobox

Ce dessin est confidentiel et ne doit pas être reproduit ou utilisé sans le consentement de Eurobox

**STANDARD FEATURES ARE NOT LISTED IN THIS HOLE TABLE**

**HOLE TABLE - FRONT VIEW (CUSTOM FEATURE ONLY)**

CUT-OUT	XDIM	YDIM	DESCRIPTION
1	1.500	1.486	GND STUD M6 x 16mm (Inside)
2	118.303	1.486	GND STUD M6 x 16mm (Inside)
3	1.424	14.959	LOCK 880 SCQ4-SLSS6 @ 180.0°
4	118.379	14.959	LOCK 880 SCQ4-SLSS6 @ 0.0°
5	61.424	14.959	LOCK 880 SCQ4-SLSS6 @ 180.0°
6	58.379	14.959	LOCK 880 SCQ4-SLSS6 @ 0.0°
7	115.553	28.494	LOCK 880 SCQ4-SLSS6 @ 90.0°
8	89.902	28.494	LOCK 880 SCQ4-SLSS6 @ 90.0°
9	64.250	28.494	LOCK 880 SCQ4-SLSS6 @ 90.0°
10	55.553	28.494	LOCK 880 SCQ4-SLSS6 @ 90.0°
11	29.902	28.494	LOCK 880 SCQ4-SLSS6 @ 90.0°
12	4.250	28.494	LOCK 880 SCQ4-SLSS6 @ 90.0°

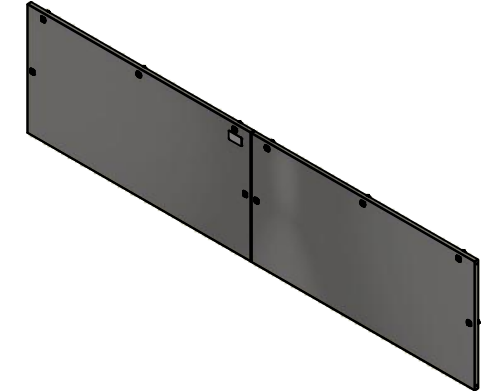


	Description	Status
	1412BTSSCU 30" x 120" Cover	(NULL)
Part Number Numéro Pièce <b>1412BTSSCU102003DTC</b>	Rev.	11
	<b>0</b>	16

This drawing is confidential and must not be reproduced or used without the consent of EXM

Ce dessin est confidentiel et ne doit pas être reproduit ou utilisé sans le consentement de EXM

No.	Revisions	Date	By/Par



Isometric View




 Tél: (450) 979-4373  
 Fax: (450) 979-4626  
[www.exmweb.com](http://www.exmweb.com)

Flatness / Aplatissement: Max 3.0mm  
 Projection: 

Customer Client	Date
Drawn By / Dessiné Par: BoxCad: BoxCad	Date: 27-Oct-22

Material / Matière: 14 Ga Stainless Steel 304 (1.7mm)

Color / Couleur: Unpainted	Finish / Fini: Brushed
----------------------------	------------------------

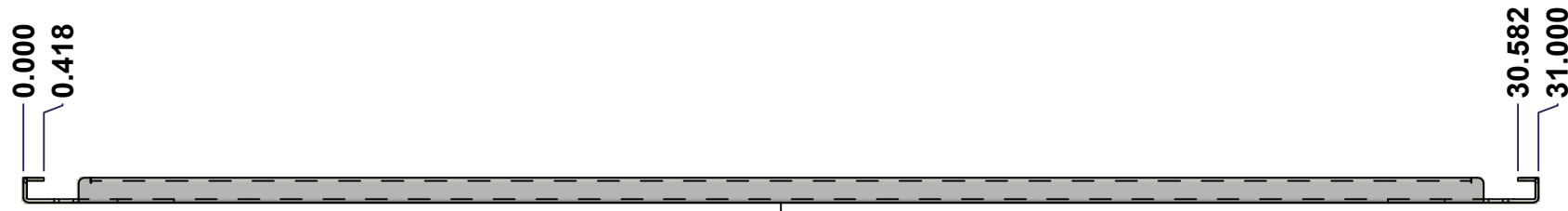
Description: 1412BTSSCU 30" x 120" Cover

Part Number / Numéro Pièce: <b>1412BTSSCU102003DTC</b>	Rev. / Révisé: <b>0</b>	12 / 16
--	-------------------------	---------

Qty	Part Name	Rev	Description
2	1412BTSSCU102003DTG	0	1412BTSSCU 30" x 120" Cover Gasket
8	STK-K-09850	6	5412 ESS Hinge with 2 Captive Hinge Pins
2	STK-Q-16095	0	M6 x 16mm Stainless Steel Ground Stud
1	STK-S-00100	0	3.5" x 2" Silver Milar Flexcon Sticker
1	1412BTSSCU102003DTC-P	0	1412BTSSCU 30" x 60" Left Cover Part
1	1412BTSSCU102003DTF-P	0	1412BTSSCU 30" x 120" Right Cover Part
10	880 SCQ4-SLSS6	7	5412 ESS 1/4 Turn Lock
Parts List			

This drawing is confidential and must not be reproduced or used without the consent of EXM

Ce dessin est confidentiel et ne doit pas être reproduit ou utilisé sans le consentement de EXM



TOP



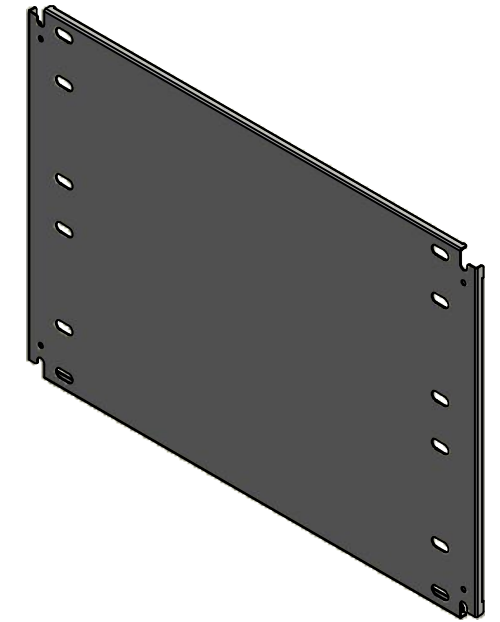
FRONT

22.125  
21.707

0.418  
0.000

RIGHT

No.	Revisions	Date	By/Par



Isometric View

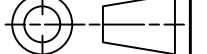


Tél: (450) 979-4373  
Fax: (450) 979-4626  
[www.exmweb.com](http://www.exmweb.com)

Flatness  
Aplatissement

Max 3.0mm

Projection



Customer Client	Date
Drawn By / Dessiné Par: BoxCad: BoxCad	Date: 27-Oct-22
Material / Matière: 14 Ga Cold Rolled A1008 CS Type B (1.7mm)	
Color / Couleur: White RAL9003	Finish / Fini: Smooth

Description: 1412BTSSCU 22.125" x 31" Left Inner Panel	Detail Rev.
--	-------------

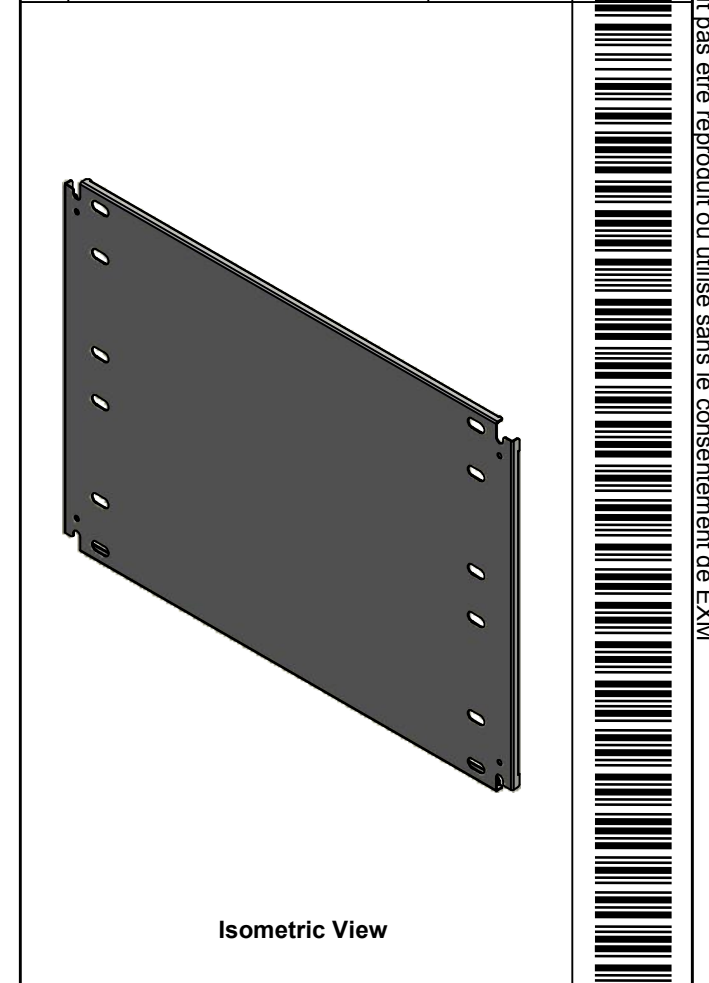
Part Number / Numéro Pièce: 1412BTSSCU102003DTIP1	Rev. 0	13 / 16
---	--------	---------

SEE BILL OF MATERIAL ON LAST PAGE

This drawing is confidential and must not be reproduced or used without the consent of EXM


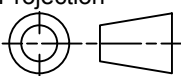
Ce dessin est confidentiel et ne doit pas être reproduit ou utilisé sans le consentement de EXM

No.	Revisions	Date	By/Par



Isometric View

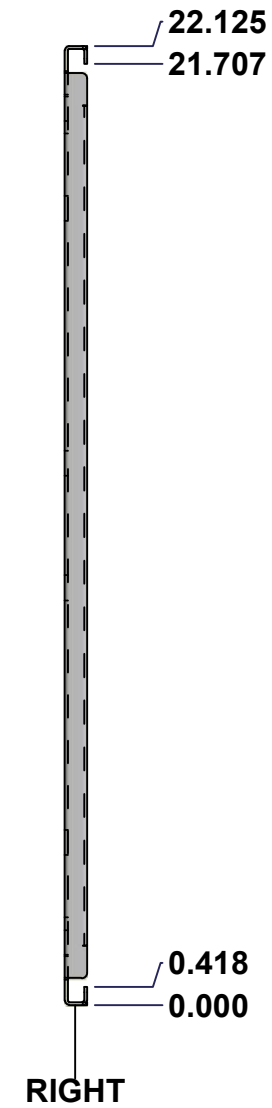
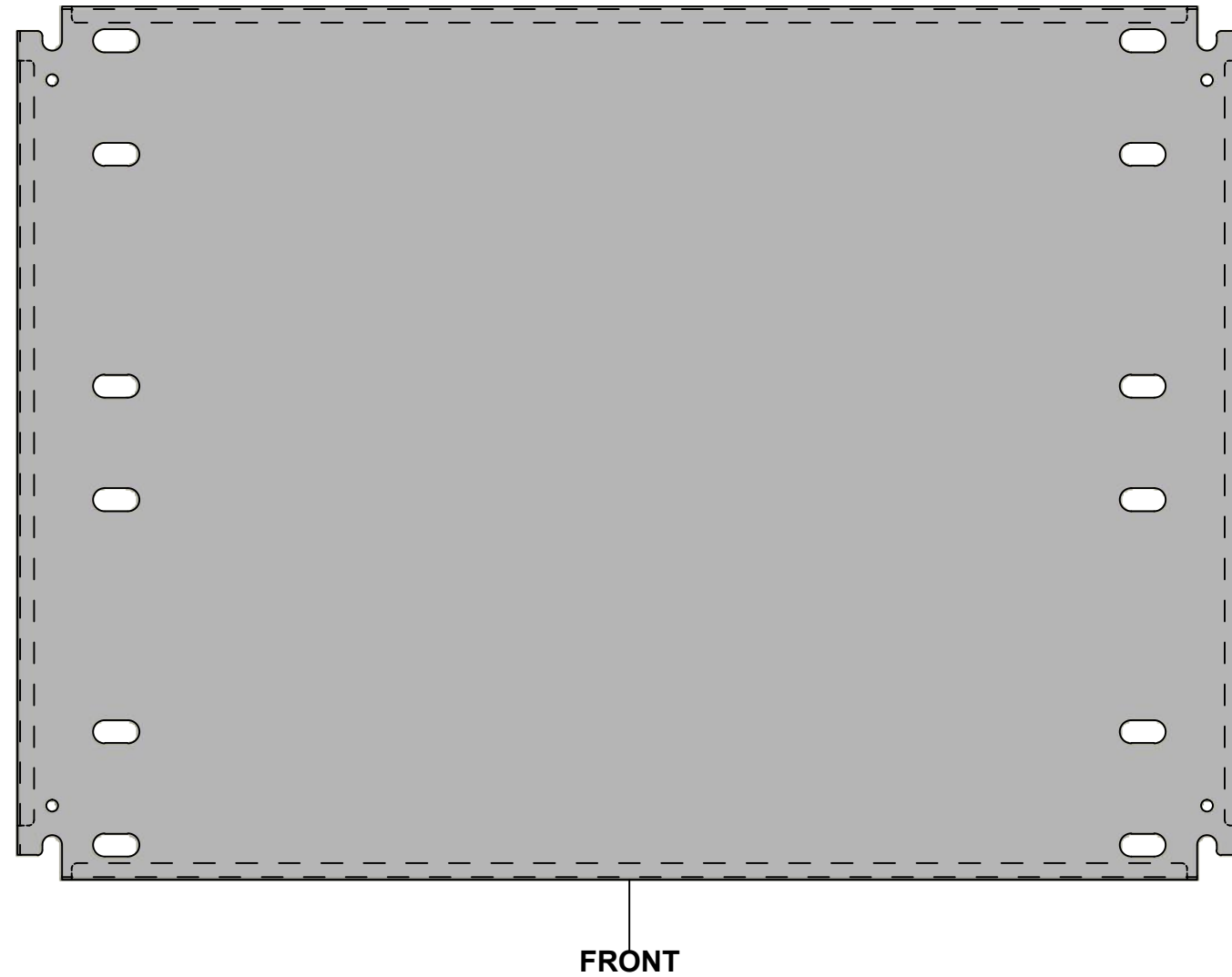
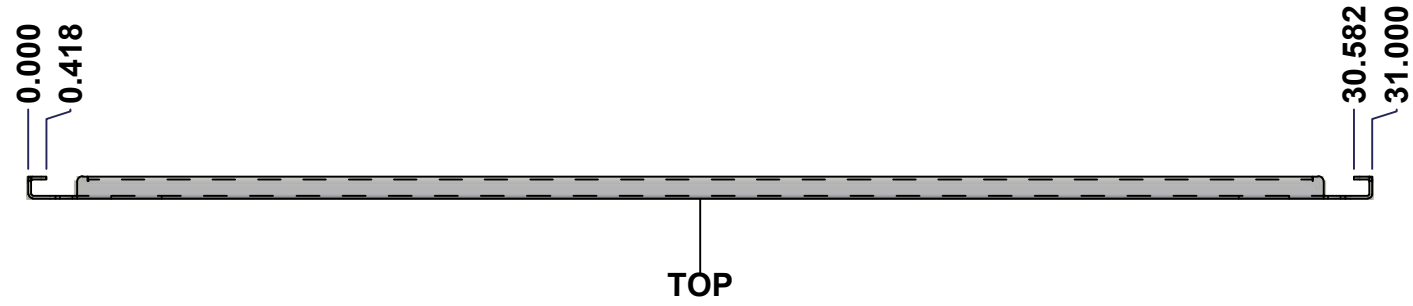


 Tél: (450) 979-4373 Fax: (450) 979-4626 <a href="http://www.exmweb.com">www.exmweb.com</a>		Flatness Aplatissement Max 3.0mm Projection 
Customer Client	Date	
Drawn By Dessiné Par	BoxCad: BoxCad	Date 27-Oct-22
Material Matière	14 Ga Cold Rolled A1008 CS Type B (1.7mm)	
Color Couleur	White RAL9003	Finish Fini Smooth
Description		Detail Rev.
1412BTSSCU 22.125" x 31" Left Inner Panel		
Part Number Numéro Pièce	Rev.	14
<b>1412BTSSCU102003DTIP1</b>	<b>0</b>	16

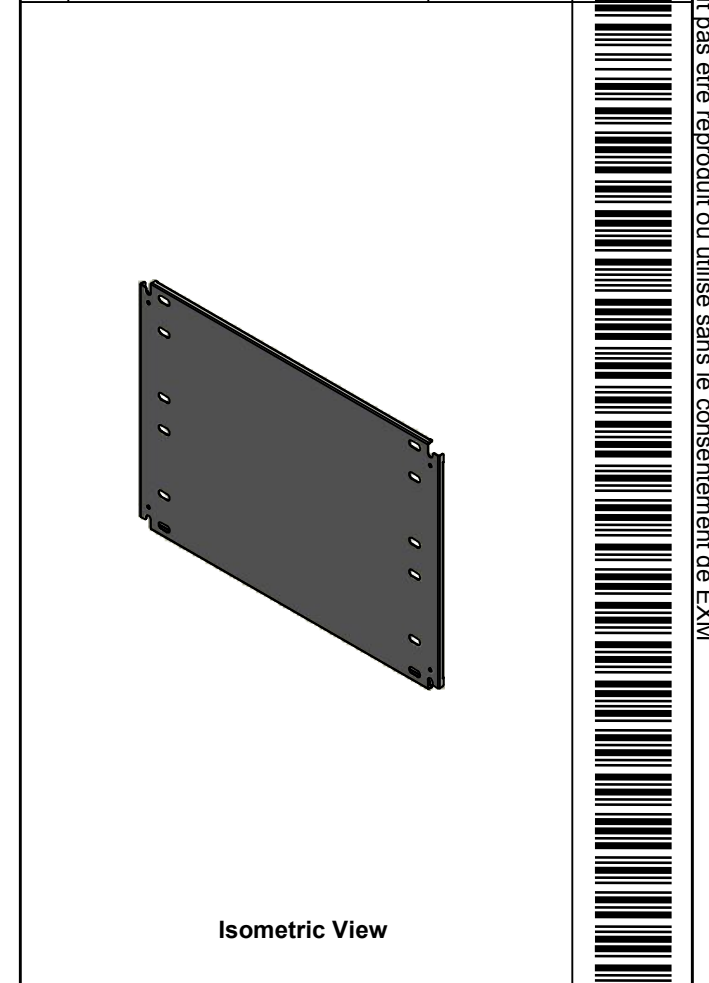
Qty	Part Number	Rev	Description
1	STK-P-02401S	0	Powder Paint (White / Smooth)
1	1412BTSSCU102003DTIP 1-P	0	1412BTSSCU 22.125" x 120" Left Inner Panel Part
Parts List			

This drawing is confidential and must not be reproduced or used without the consent of EXM

Ce dessin est confidentiel et ne doit pas être reproduit ou utilisé sans le consentement de EXM



No.	Revisions	Date	By/Par



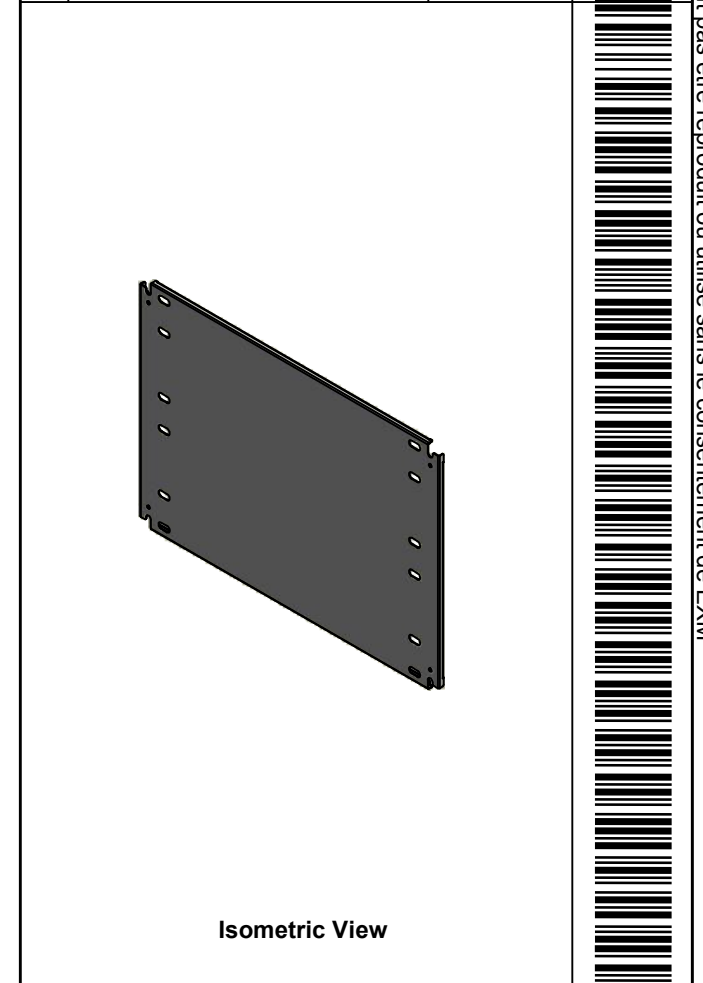
Tél: (450) 979-4373 Fax: (450) 979-4626 <a href="http://www.exmweb.com">www.exmweb.com</a>		Flatness Aplatissement Max 3.0mm Projection 
Customer Client	Date	
Drawn By Dessiné Par	BoxCad: BoxCad	Date 27-Oct-22
Material Matière	14 Ga Cold Rolled A1008 CS Type B (1.7mm)	
Color Couleur	White RAL9003	Finish Fini Smooth
Description 1412BTSSCU 22.125" x 31" Right Inner Panel		Detail Rev.
Part Number Numéro Pièce	Rev. 0	15 16


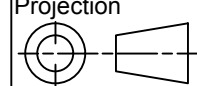
SEE BILL OF MATERIAL ON LAST PAGE 1412BTSSCU102003DTIP2

This drawing is confidential and must not be reproduced or used without the consent of EXM

Ce dessin est confidentiel et ne doit pas être reproduit ou utilisé sans le consentement de EXM

No.	Revisions	Date	By/Par



 Tél: (450) 979-4373 Fax: (450) 979-4626 <a href="http://www.exmweb.com">www.exmweb.com</a>		Flatness Aplatissement Max 3.0mm	
		Projection 	
Customer Client		Date	
Drawn By Dessiné Par BoxCad: BoxCad		Date 27-Oct-22	
Material Matière 14 Ga Cold Rolled A1008 CS Type B (1.7mm)			
Color Couleur White RAL9003		Finish Fini Smooth	
Description 1412BTSSCU 22.125" x 31" Right Inner Panel			Detail Rev.
Part Number Numéro Pièce <b>1412BTSSCU102003DTIP2</b>			Rev. <b>0</b>
Qty Part Number Rev Description			16 16

Qty	Part Number	Rev	Description
1	STK-P-02401S	0	Powder Paint (White / Smooth)
1	1412BTSSCU102003DTIP 2-P	0	1412BTSSCU 22.125" x 120" Right Inner Panel Part
Parts List			