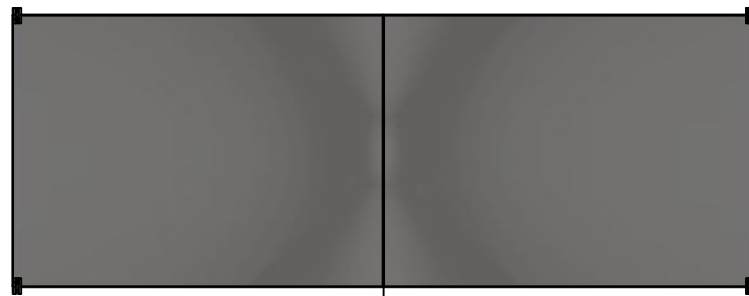


This drawing is confidential and must not be reproduced or used without the consent of EXM

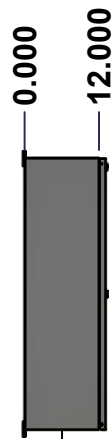
Ce dessin est confidentiel et ne doit pas être reproduit ou utilisé sans le consentement de EXM



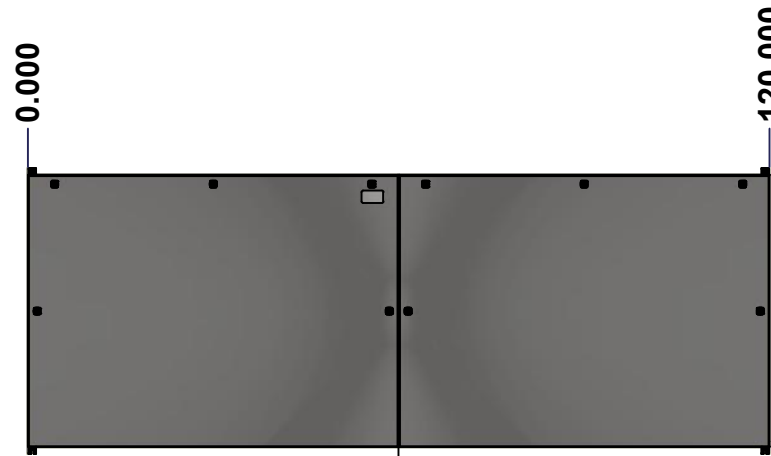
TOP



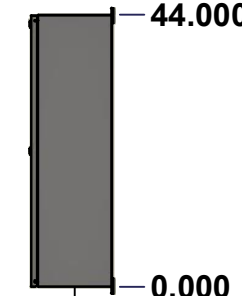
LEFT



LEFT



FRONT

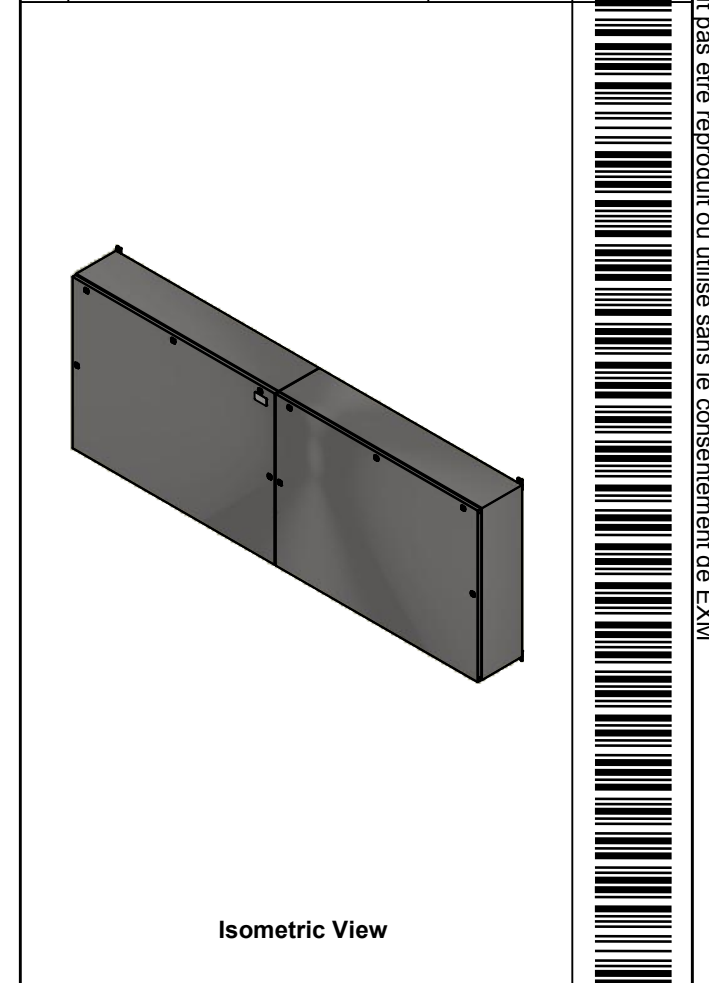


RIGHT




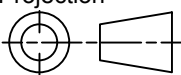
BOTTOM

No.	Revisions	Date	By/Par



Isometric View



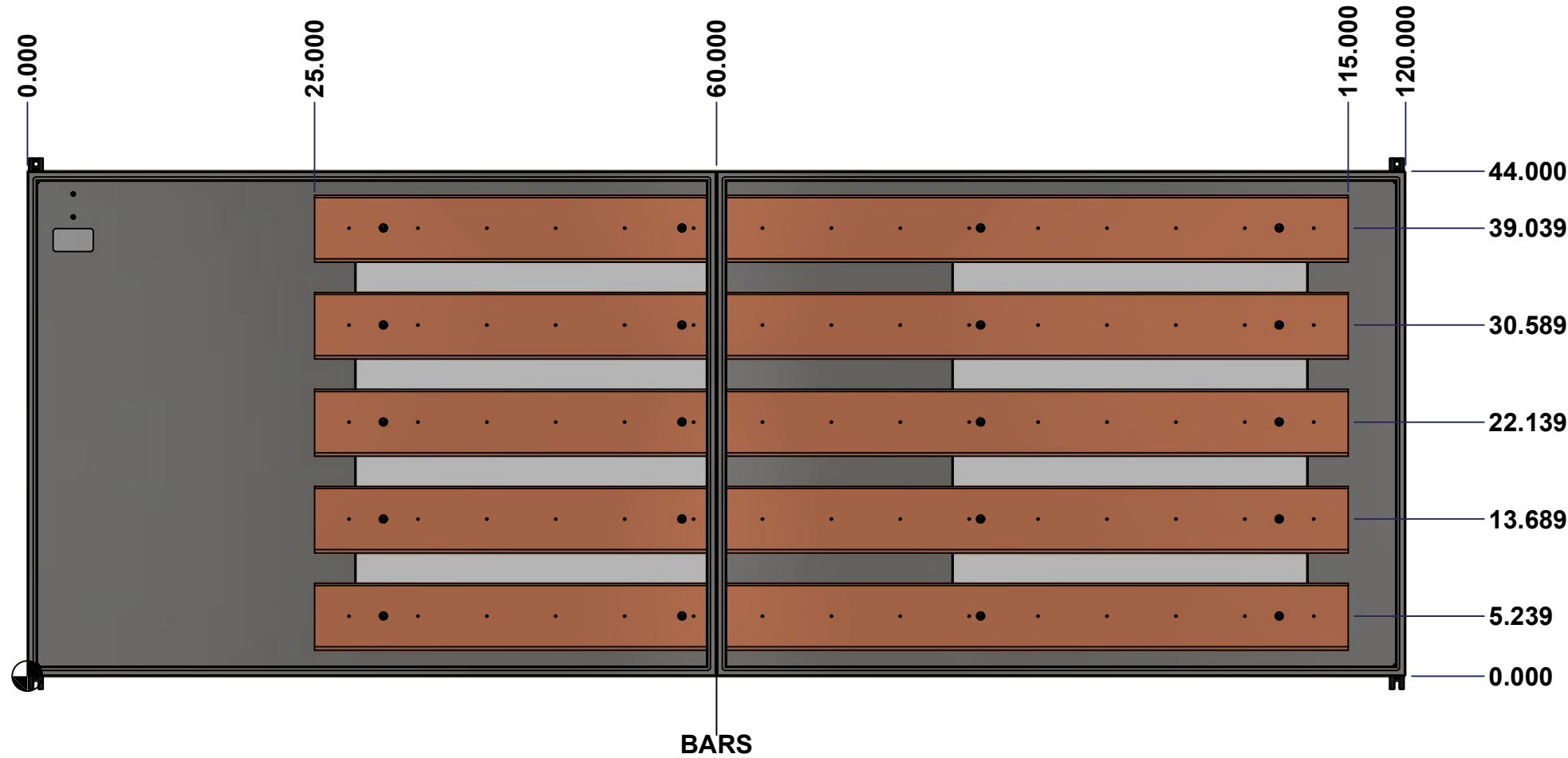
 Tél: (450) 979-4373 Fax: (450) 979-4626 <a href="http://www.exmweb.com">www.exmweb.com</a>		Flatness Aplatissement Max 3.0mm Projection 
Customer Client	Date	
Drawn By Dessiné Par	BoxCad: BoxCad	Date 27-Oct-22
Material Matière	14 Ga Stainless Steel 304 (1.7mm)	
Color Couleur	Unpainted	Finish Fini Brushed
Description	Detail Rev.	
1412BTSSCU 2500A - 5Wires x 120" Assembly		
Part Number Numéro Pièce	Rev.	1
1412BTSSCU102505DT	0	18

SEE BILL OF MATERIAL ON LAST PAGE

This drawing is confidential and must not be reproduced or used without the consent of Eurobox

Ce dessin est confidentiel et ne doit pas être reproduit ou utilisé sans le consentement de Eurobox

**STANDARD FEATURES ARE NOT LISTED IN THIS HOLE TABLE**



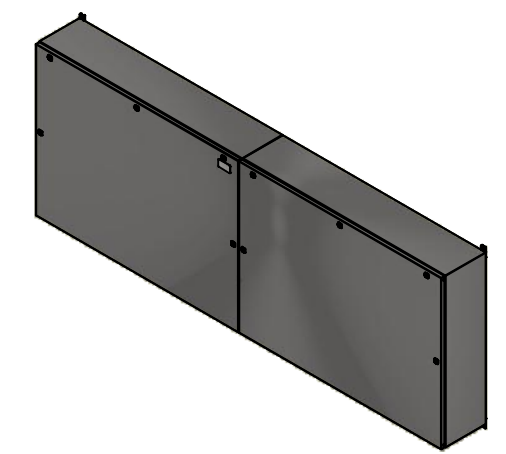
	Description 1412BTSSCU 2500A - 5Wires x 120" Assembly		Status (NULL)	
	Part Number Numéro Pièce <b>1412BTSSCU102505DT</b>		Rev. <b>0</b>	2 18

This drawing is confidential and must not be reproduced or used without the consent of EXM

Ce dessin est confidentiel et ne doit pas être reproduit ou utilisé sans le consentement de EXM

NOTE	
ITEM	DESCRIPTION
1	NEMA 4X Enclosure
2	C/W Standard ground studs on box and cover
3	W/O Standard door stiffener
4	C/W Special inner panel (Sold separately)
5	C/W Standard inner panel mounting studs

No.	Revisions	Date	By/Par



Isometric View



8	STK-Q-04051-07	8	M6 x 7mm Stainless Steel Hexagon Socket Head Machine Screw with Nyseal
1	885 ESMF2	0	885 ESMF2 Stainless Steel Mounting Feet Kit
1	1412BTSSCU102505DTIP 2	0	1412BTSSCU 38.425" x 31" Right Inner Panel
1	1412BTSSCU102505DTB AR1-P	0	Rounded Edge Copper Bar 1/2" x 6"
1	1412BTSSCU102505DTB AR2-P	0	Rounded Edge Copper Bar 1/2" x 6"
1	1412BTSSCU102505DTB AR3-P	0	Rounded Edge Copper Bar 1/2" x 6"
1	1412BTSSCU102505DTB AR4-P	0	Rounded Edge Copper Bar 1/2" x 6"
1	1412BTSSCU102505DTB AR5-P	0	Rounded Edge Copper Bar 1/2" x 6"
1	1412BTSSCU102505DTIP 1	0	1412BTSSCU 38.425" x 31" Left Inner Panel
20	STK-A-67400	0	Buss Bar Insulator Kit
1	STK-K-01800	5	5412 ES Accessory Kit
32	STK-Q-07310	2	Flange Lock Nut M8
12	STK-Q-07610	8	M8 Plastic Spacer 22.2mm
1	1412BTSSCU102505DTB	0	1412BTSSCU 44" x 120" x 12" Body
1	1412BTSSCU102505DTC	0	1412BTSSCU 44" x 120" Cover

PACKING		
ITEM	QTY	DESCRIPTION
Cardboard sleeve	2	Top and Bottom
Cardboard strip	2	Between back of enclosure and inner panel
Plastic bag	1	To protect cover surface and inside gasket
Cardboard corner	4	To reinforced for the plastic strap tightening
Plastic strap - Black	2	To Squeeze 2 cardboard sleeve together
Packaging label	3	White label with PN
Plastic strap- Green	2	To secure the enclosure to the wood pallet
Wood Pallet	1	2" deeper and 3" larger than enclosure size

Tél: (450) 979-4373  
Fax: (450) 979-4626  
[www.exmweb.com](http://www.exmweb.com)

Flatness  
Aplatissement  
Max 3.0mm

Projection

Customer Client	Date
Drawn By Dessiné Par BoxCad: BoxCad	Date 27-Oct-22
Material Matière 14 Ga Stainless Steel 304 (1.7mm)	
Color Couleur Unpainted	Finish Fini Brushed
Description 1412BTSSCU 2500A - 5Wires x 120" Assembly	Detail Rev.
Part Number Numéro Pièce <b>1412BTSSCU102505DT</b>	Rev. <b>0</b>

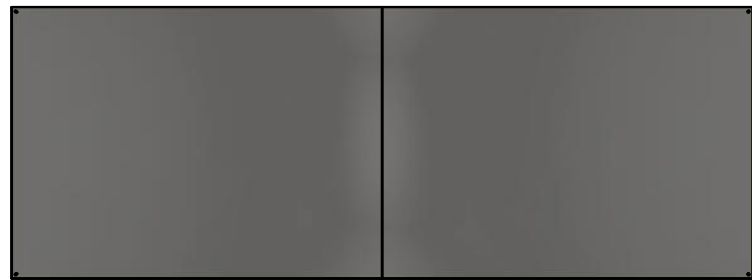
Qty	Part Number	Rev	Description
Parts List			

This drawing is confidential and must not be reproduced or used without the consent of EXM

Ce dessin est confidentiel et ne doit pas être reproduit ou utilisé sans le consentement de EXM



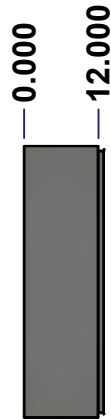
TOP



BACK



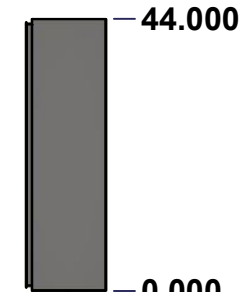
BOTTOM



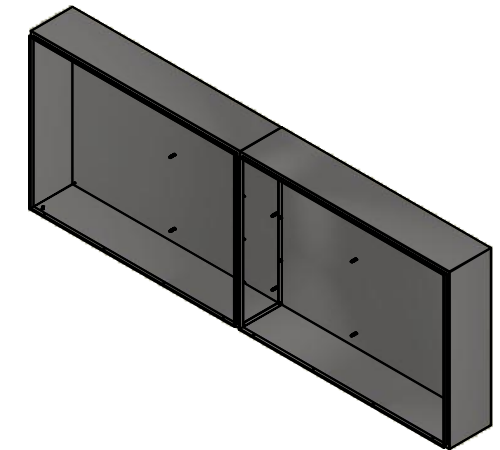
LEFT



FRONT




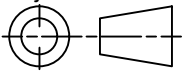
RIGHT



Isometric View



No.	Revisions	Date	By/Par

 Tél: (450) 979-4373 Fax: (450) 979-4626 <a href="http://www.exmweb.com">www.exmweb.com</a>		Flatness Aplatissement Max 3.0mm Projection 
Customer Client	Date	
Drawn By Dessiné Par	BoxCad: BoxCad	Date 27-Oct-22
Material Matière	14 Ga Stainless Steel 304 (1.7mm)	
Color Couleur	Unpainted	Finish Fini Brushed
Description	Detail Rev.	
1412BTSSCU 44" x 120" x 12" Body		
Part Number Numéro Pièce	Rev. 0	4 18

SEE BILL OF MATERIAL ON LAST PAGE **1412BTSSCU102505DTB**

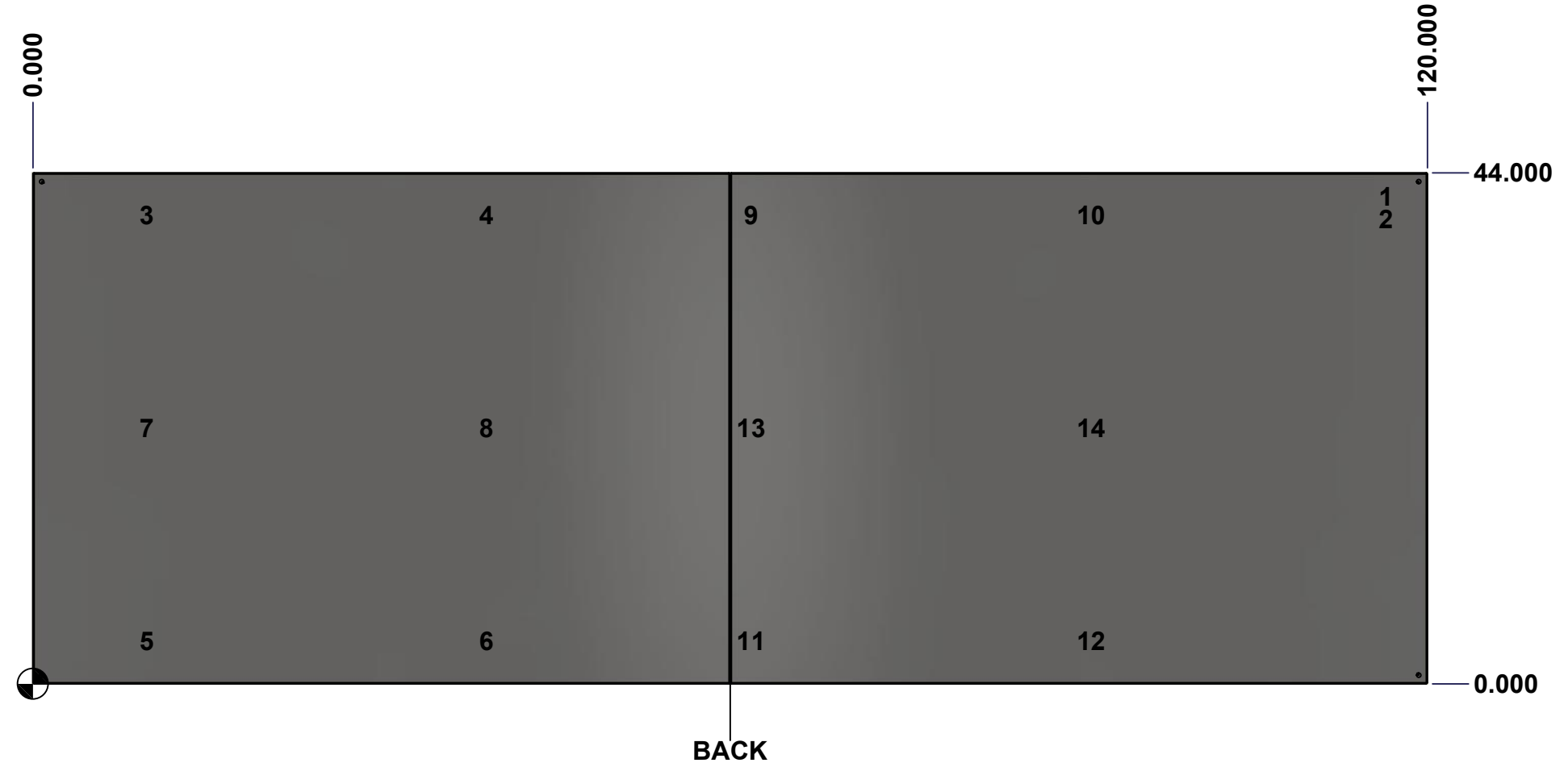
This drawing is confidential and must not be reproduced or used without the consent of Eurobox

Ce dessin est confidentiel et ne doit pas être reproduit ou utilisé sans le consentement de Eurobox

**STANDARD FEATURES ARE NOT LISTED IN THIS HOLE TABLE**

**HOLE TABLE - BACK VIEW (CUSTOM FEATURE ONLY)**

CUT-OUT	XDIM	YDIM	DESCRIPTION
1	116.000	42.000	GND STUD M8 x 35mm (Inside)
2	116.000	40.000	GND STUD M8 x 35mm (Inside)
3	9.375	40.350	IP STUD M8 x 35mm (Inside)
4	38.625	40.350	IP STUD M8 x 35mm (Inside)
5	9.375	3.675	IP STUD M8 x 35mm (Inside)
6	38.625	3.675	IP STUD M8 x 35mm (Inside)
7	9.375	22.013	IP STUD M8 x 35mm (Inside)
8	38.625	22.013	IP STUD M8 x 35mm (Inside)
9	61.375	40.350	IP STUD M8 x 35mm (Inside)
10	90.625	40.350	IP STUD M8 x 35mm (Inside)
11	61.375	3.675	IP STUD M8 x 35mm (Inside)
12	90.625	3.675	IP STUD M8 x 35mm (Inside)
13	61.375	22.013	IP STUD M8 x 35mm (Inside)
14	90.625	22.013	IP STUD M8 x 35mm (Inside)

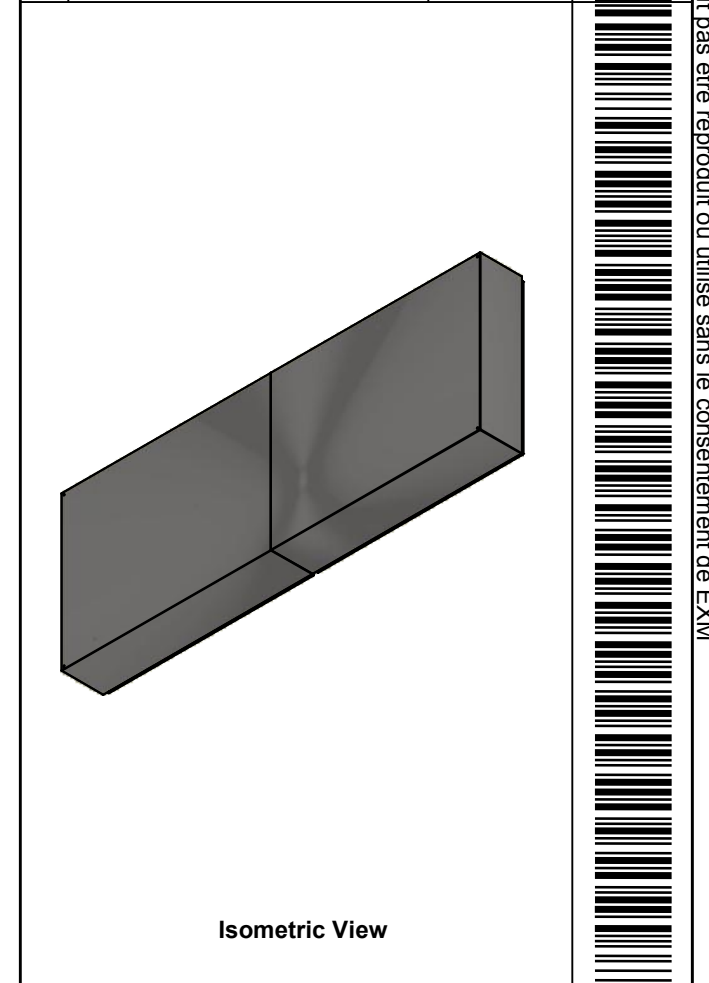


	Description		Status
	1412BTSSCU 44" x 120" x 12" Body		(NULL)
Part Number Numéro Pièce		Rev.	5
<b>1412BTSSCU102505DTB</b>		<b>0</b>	18

This drawing is confidential and must not be reproduced or used without the consent of EXM

Ce dessin est confidentiel et ne doit pas être reproduit ou utilisé sans le consentement de EXM

No.	Revisions	Date	By/Par




 Tél: (450) 979-4373  
 Fax: (450) 979-4626  
[www.exmweb.com](http://www.exmweb.com)

Flatness / Aplatissement: Max 3.0mm  
 Projection: 

Qty	Part Number	Rev	Description
1	1412BTSSCU102505DTB-P	0	1412BTSSCU 44" x 120" x 12" Left Body Part
1	1412BTSSCU102505DTE-P	0	1412BTSSCU 44" x 120" x 12" Right Body Part
1	STK-G-00701	0	1" x 1/4" Self-Adhesive Neoprene Gasket
10	STK-Q-00260	1	M6 x 13mm Carriage Bolt
10	STK-Q-07220	1	M6 Nylon Insert Lock Nut
14	STK-Q-16020	1	Stud M8 x 35mm Stainless Steel
2	STK-Q-16095	0	M6 x 16mm Stainless Steel Ground Stud
1	STK-S-00100	0	3.5" x 2" Silver Milar Flexcon Sticker
Parts List			

Customer Client	Date
Drawn By / Dessiné Par: BoxCad: BoxCad	Date: 27-Oct-22
Material / Matière: 14 Ga Stainless Steel 304 (1.7mm)	
Color / Couleur: Unpainted	Finish / Fini: Brushed
Description: 1412BTSSCU 44" x 120" x 12" Body	Detail Rev.
Part Number / Numéro Pièce: <b>1412BTSSCU102505DTB</b>	Rev. <b>0</b>
	6 / 18

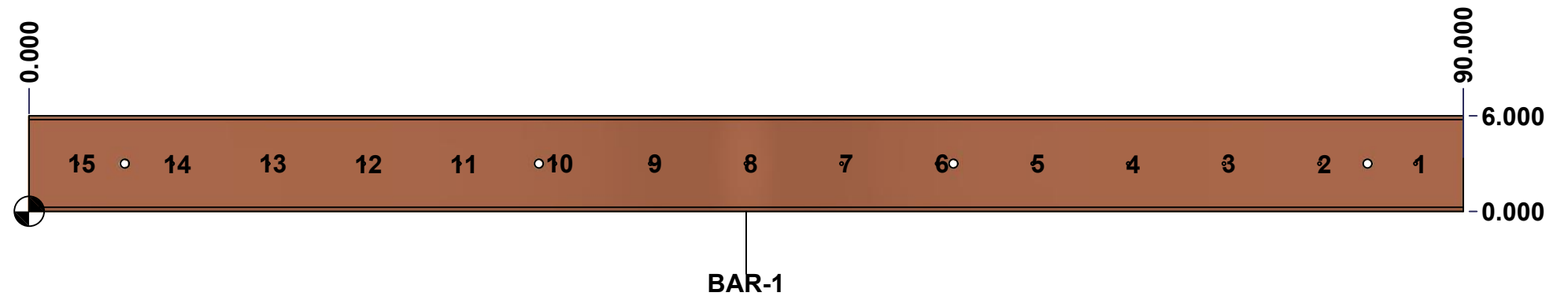
This drawing is confidential and must not be reproduced or used without the consent of Eurobox

Ce dessin est confidentiel et ne doit pas être reproduit ou utilisé sans le consentement de Eurobox

**STANDARD FEATURES ARE NOT LISTED IN THIS HOLE TABLE**

**HOLE TABLE - FRONT VIEW (CUSTOM FEATURE ONLY)**

CUT-OUT	XDIM	YDIM	DESCRIPTION
1	87.000	3.000	RND Ø0.201 THREAD 1/4-20 UNC
2	81.000	3.000	RND Ø0.201 THREAD 1/4-20 UNC
3	75.000	3.000	RND Ø0.201 THREAD 1/4-20 UNC
4	69.000	3.000	RND Ø0.201 THREAD 1/4-20 UNC
5	63.000	3.000	RND Ø0.201 THREAD 1/4-20 UNC
6	57.000	3.000	RND Ø0.201 THREAD 1/4-20 UNC
7	51.000	3.000	RND Ø0.201 THREAD 1/4-20 UNC
8	45.000	3.000	RND Ø0.201 THREAD 1/4-20 UNC
9	39.000	3.000	RND Ø0.201 THREAD 1/4-20 UNC
10	33.000	3.000	RND Ø0.201 THREAD 1/4-20 UNC
11	27.000	3.000	RND Ø0.201 THREAD 1/4-20 UNC
12	21.000	3.000	RND Ø0.201 THREAD 1/4-20 UNC
13	15.000	3.000	RND Ø0.201 THREAD 1/4-20 UNC
14	9.000	3.000	RND Ø0.201 THREAD 1/4-20 UNC
15	3.000	3.000	RND Ø0.201 THREAD 1/4-20 UNC



	Description	Status
	Rounded Edge Copper Bar 1/2" x 6"	(NULL)
	Part Number Numéro Pièce	Rev.
	<b>1412BTSSCU102505DTBAR1-P0</b>	7
		18

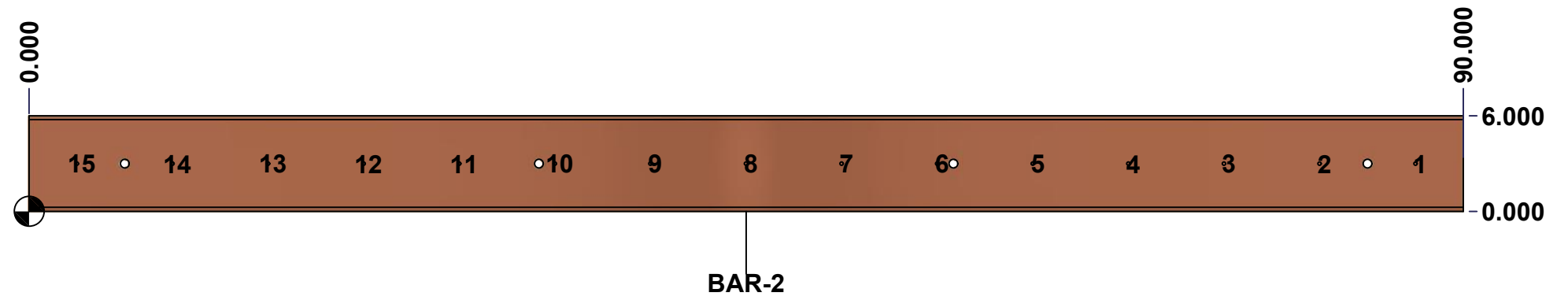
This drawing is confidential and must not be reproduced or used without the consent of Eurobex

Ce dessin est confidentiel et ne doit pas être reproduit ou utilisé sans le consentement de Eurobex

**STANDARD FEATURES ARE NOT LISTED IN THIS HOLE TABLE**

**HOLE TABLE - FRONT VIEW (CUSTOM FEATURE ONLY)**

CUT-OUT	XDIM	YDIM	DESCRIPTION
1	87.000	3.000	RND Ø0.201 THREAD 1/4-20 UNC
2	81.000	3.000	RND Ø0.201 THREAD 1/4-20 UNC
3	75.000	3.000	RND Ø0.201 THREAD 1/4-20 UNC
4	69.000	3.000	RND Ø0.201 THREAD 1/4-20 UNC
5	63.000	3.000	RND Ø0.201 THREAD 1/4-20 UNC
6	57.000	3.000	RND Ø0.201 THREAD 1/4-20 UNC
7	51.000	3.000	RND Ø0.201 THREAD 1/4-20 UNC
8	45.000	3.000	RND Ø0.201 THREAD 1/4-20 UNC
9	39.000	3.000	RND Ø0.201 THREAD 1/4-20 UNC
10	33.000	3.000	RND Ø0.201 THREAD 1/4-20 UNC
11	27.000	3.000	RND Ø0.201 THREAD 1/4-20 UNC
12	21.000	3.000	RND Ø0.201 THREAD 1/4-20 UNC
13	15.000	3.000	RND Ø0.201 THREAD 1/4-20 UNC
14	9.000	3.000	RND Ø0.201 THREAD 1/4-20 UNC
15	3.000	3.000	RND Ø0.201 THREAD 1/4-20 UNC



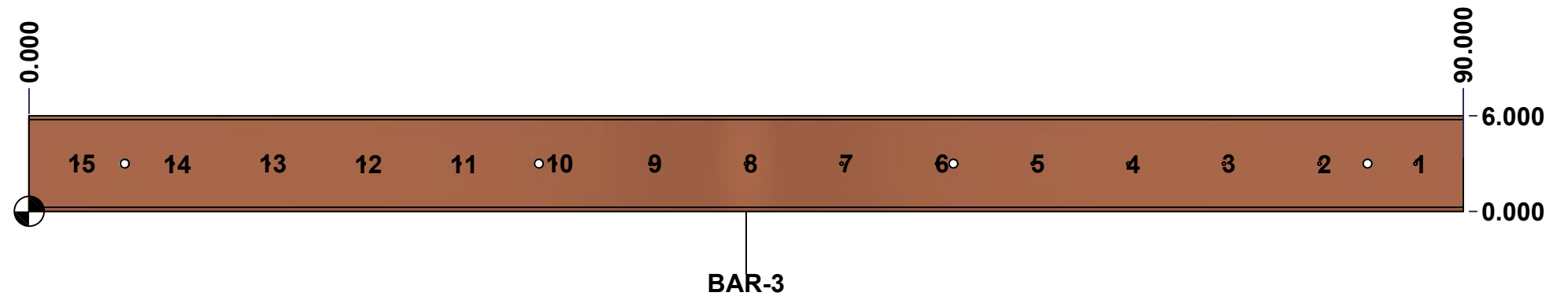
	Description	Status
	Rounded Edge Copper Bar 1/2" x 6"	(NULL)
	Part Number Numéro Pièce	Rev.
	<b>1412BTSSCU102505DTBAR2-P0</b>	8
		18



This drawing is confidential and must not be reproduced or used without the consent of Eurobox

Ce dessin est confidentiel et ne doit pas être reproduit ou utilisé sans le consentement de Eurobox

STANDARD FEATURES ARE NOT LISTED IN THIS HOLE TABLE			
HOLE TABLE - FRONT VIEW (CUSTOM FEATURE ONLY)			
CUT-OUT	XDIM	YDIM	DESCRIPTION
1	87.000	3.000	RND Ø0.201 THREAD 1/4-20 UNC
2	81.000	3.000	RND Ø0.201 THREAD 1/4-20 UNC
3	75.000	3.000	RND Ø0.201 THREAD 1/4-20 UNC
4	69.000	3.000	RND Ø0.201 THREAD 1/4-20 UNC
5	63.000	3.000	RND Ø0.201 THREAD 1/4-20 UNC
6	57.000	3.000	RND Ø0.201 THREAD 1/4-20 UNC
7	51.000	3.000	RND Ø0.201 THREAD 1/4-20 UNC
8	45.000	3.000	RND Ø0.201 THREAD 1/4-20 UNC
9	39.000	3.000	RND Ø0.201 THREAD 1/4-20 UNC
10	33.000	3.000	RND Ø0.201 THREAD 1/4-20 UNC
11	27.000	3.000	RND Ø0.201 THREAD 1/4-20 UNC
12	21.000	3.000	RND Ø0.201 THREAD 1/4-20 UNC
13	15.000	3.000	RND Ø0.201 THREAD 1/4-20 UNC
14	9.000	3.000	RND Ø0.201 THREAD 1/4-20 UNC
15	3.000	3.000	RND Ø0.201 THREAD 1/4-20 UNC



	Description	Status
	Rounded Edge Copper Bar 1/2" x 6"	(NULL)
	Part Number Numéro Pièce	Rev.
	<b>1412BTSSCU102505DTBAR3-P0</b>	9
		18

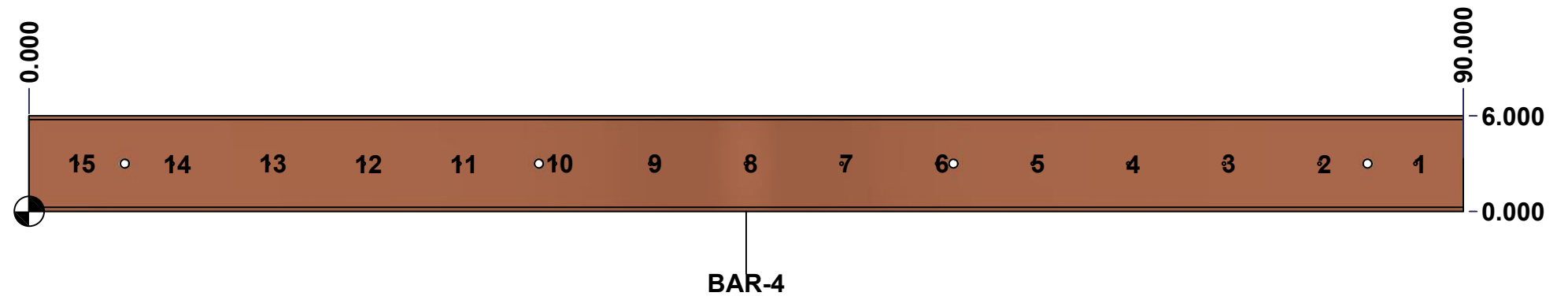
This drawing is confidential and must not be reproduced or used without the consent of Eurobox

Ce dessin est confidentiel et ne doit pas être reproduit ou utilisé sans le consentement de Eurobox

**STANDARD FEATURES ARE NOT LISTED IN THIS HOLE TABLE**

**HOLE TABLE - FRONT VIEW (CUSTOM FEATURE ONLY)**

CUT-OUT	XDIM	YDIM	DESCRIPTION
1	87.000	3.000	RND Ø0.201 THREAD 1/4-20 UNC
2	81.000	3.000	RND Ø0.201 THREAD 1/4-20 UNC
3	75.000	3.000	RND Ø0.201 THREAD 1/4-20 UNC
4	69.000	3.000	RND Ø0.201 THREAD 1/4-20 UNC
5	63.000	3.000	RND Ø0.201 THREAD 1/4-20 UNC
6	57.000	3.000	RND Ø0.201 THREAD 1/4-20 UNC
7	51.000	3.000	RND Ø0.201 THREAD 1/4-20 UNC
8	45.000	3.000	RND Ø0.201 THREAD 1/4-20 UNC
9	39.000	3.000	RND Ø0.201 THREAD 1/4-20 UNC
10	33.000	3.000	RND Ø0.201 THREAD 1/4-20 UNC
11	27.000	3.000	RND Ø0.201 THREAD 1/4-20 UNC
12	21.000	3.000	RND Ø0.201 THREAD 1/4-20 UNC
13	15.000	3.000	RND Ø0.201 THREAD 1/4-20 UNC
14	9.000	3.000	RND Ø0.201 THREAD 1/4-20 UNC
15	3.000	3.000	RND Ø0.201 THREAD 1/4-20 UNC



	Description	Status
	Rounded Edge Copper Bar 1/2" x 6"	(NULL)
	Part Number Numéro Pièce	Rev.
	<b>1412BTSSCU102505DTBAR4-P0</b>	10
		18

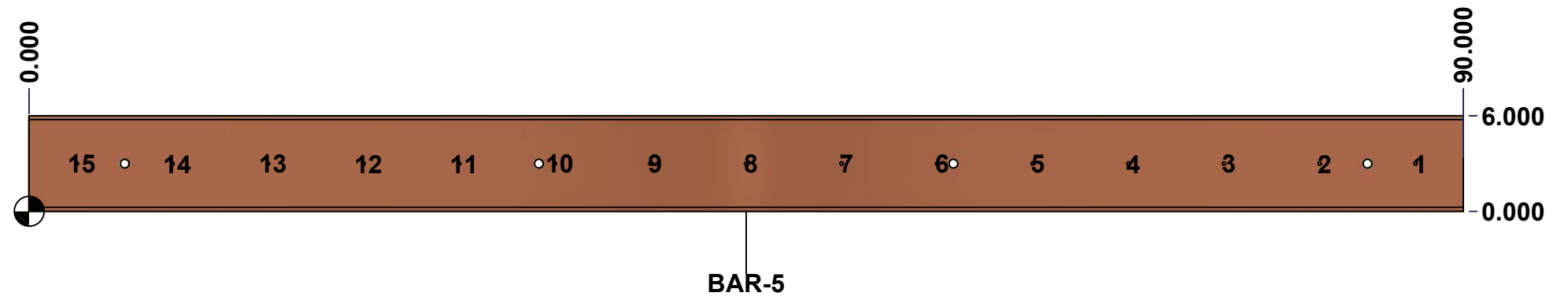
This drawing is confidential and must not be reproduced or used without the consent of Eurobox

Ce dessin est confidentiel et ne doit pas être reproduit ou utilisé sans le consentement de Eurobox

**STANDARD FEATURES ARE NOT LISTED IN THIS HOLE TABLE**

**HOLE TABLE - FRONT VIEW (CUSTOM FEATURE ONLY)**

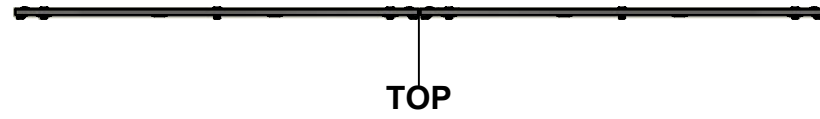
CUT-OUT	XDIM	YDIM	DESCRIPTION
1	87.000	3.000	RND Ø0.201 THREAD 1/4-20 UNC
2	81.000	3.000	RND Ø0.201 THREAD 1/4-20 UNC
3	75.000	3.000	RND Ø0.201 THREAD 1/4-20 UNC
4	69.000	3.000	RND Ø0.201 THREAD 1/4-20 UNC
5	63.000	3.000	RND Ø0.201 THREAD 1/4-20 UNC
6	57.000	3.000	RND Ø0.201 THREAD 1/4-20 UNC
7	51.000	3.000	RND Ø0.201 THREAD 1/4-20 UNC
8	45.000	3.000	RND Ø0.201 THREAD 1/4-20 UNC
9	39.000	3.000	RND Ø0.201 THREAD 1/4-20 UNC
10	33.000	3.000	RND Ø0.201 THREAD 1/4-20 UNC
11	27.000	3.000	RND Ø0.201 THREAD 1/4-20 UNC
12	21.000	3.000	RND Ø0.201 THREAD 1/4-20 UNC
13	15.000	3.000	RND Ø0.201 THREAD 1/4-20 UNC
14	9.000	3.000	RND Ø0.201 THREAD 1/4-20 UNC
15	3.000	3.000	RND Ø0.201 THREAD 1/4-20 UNC



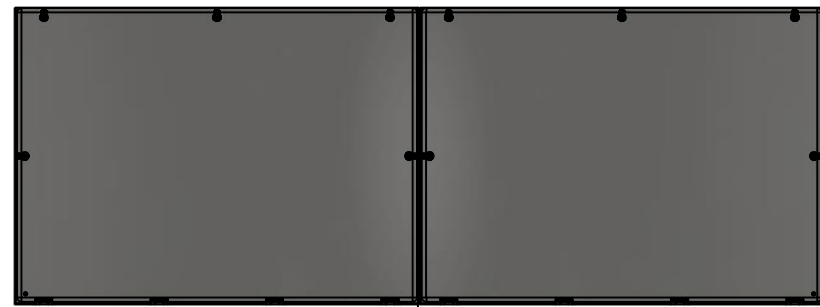
	Description	Status
	Rounded Edge Copper Bar 1/2" x 6"	(NULL)
	Part Number Numéro Pièce	Rev.
	<b>1412BTSSCU102505DTBAR5-P0</b>	11
		18

This drawing is confidential and must not be reproduced or used without the consent of EXM

Ce dessin est confidentiel et ne doit pas être reproduit ou utilisé sans le consentement de EXM



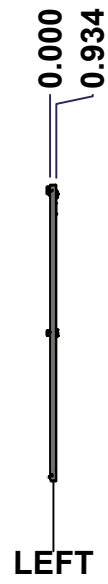
TOP



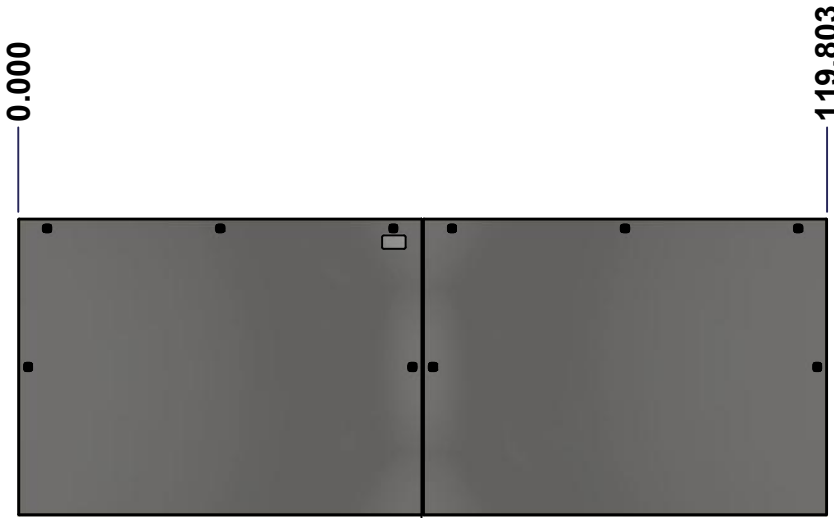
BACK



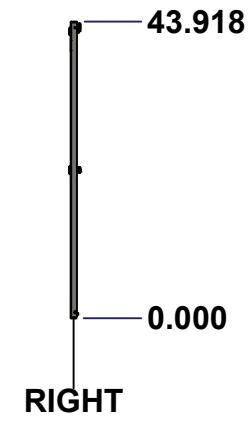
BOTTOM



LEFT



FRONT



RIGHT

No.	Revisions	Date	By/Par

Isometric View

Tél: (450) 979-4373 Fax: (450) 979-4626 <a href="http://www.exmweb.com">www.exmweb.com</a>		Flatness Aplatissement Max 3.0mm Projection 
Customer Client	Date	
Drawn By Dessiné Par	BoxCad: BoxCad	Date 27-Oct-22
Material Matière	14 Ga Stainless Steel 304 (1.7mm)	
Color Couleur	Unpainted	Finish Fini Brushed
Description 1412BTSSCU 44" x 120" Cover		Detail Rev.
Part Number Numéro Pièce	Rev. 0	12 / 18

SEE BILL OF MATERIAL ON LAST PAGE **1412BTSSCU102505DTC**

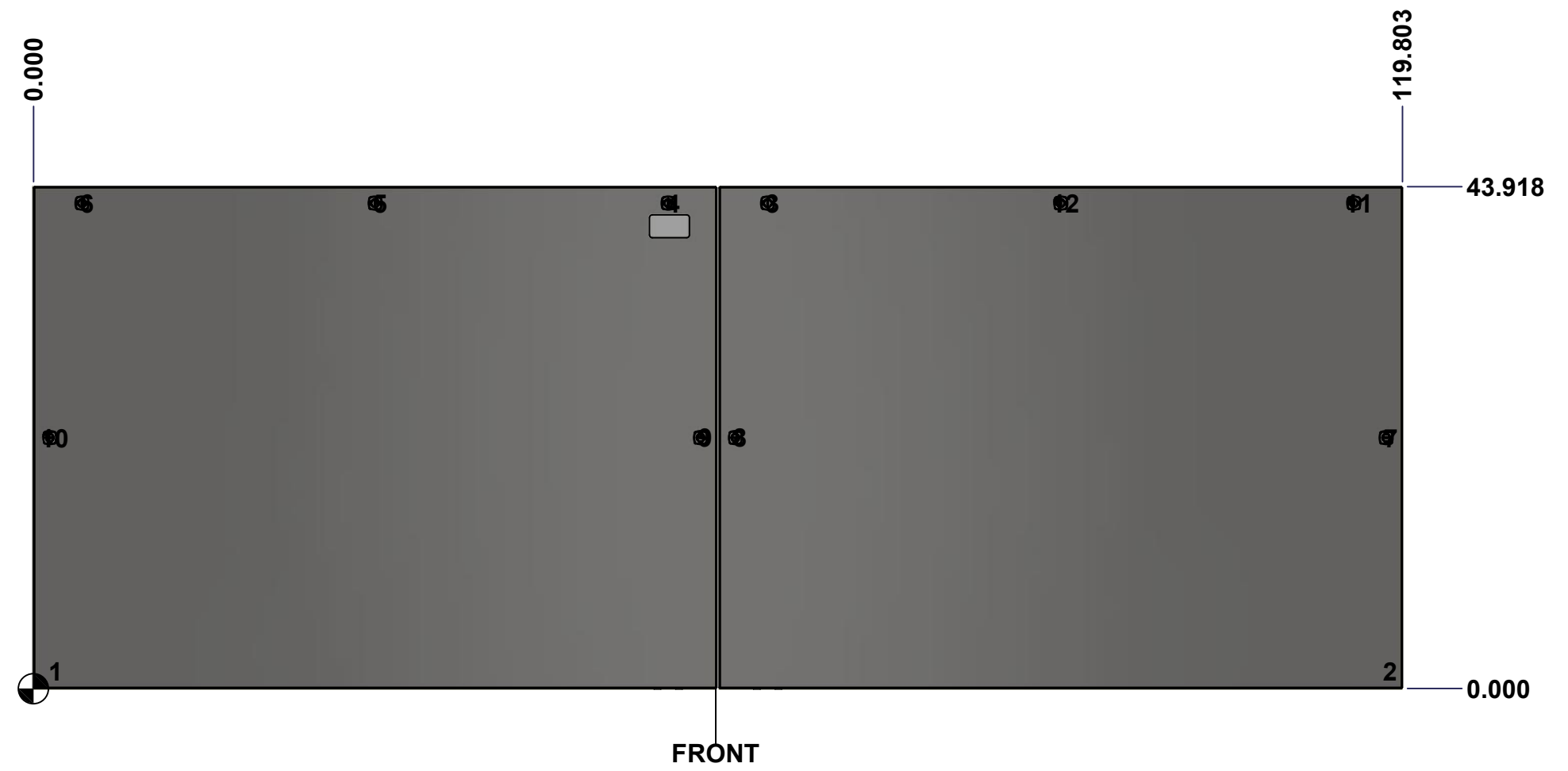
This drawing is confidential and must not be reproduced or used without the consent of Eurobox

Ce dessin est confidentiel et ne doit pas être reproduit ou utilisé sans le consentement de Eurobox

**STANDARD FEATURES ARE NOT LISTED IN THIS HOLE TABLE**

**HOLE TABLE - FRONT VIEW (CUSTOM FEATURE ONLY)**

CUT-OUT	XDIM	YDIM	DESCRIPTION
1	1.500	1.486	GND STUD M6 x 16mm (Inside)
2	118.303	1.486	GND STUD M6 x 16mm (Inside)
3	64.250	42.494	LOCK 880 SCQ4-SLSS6 @ 90.0°
4	55.553	42.494	LOCK 880 SCQ4-SLSS6 @ 90.0°
5	29.902	42.494	LOCK 880 SCQ4-SLSS6 @ 90.0°
6	4.250	42.494	LOCK 880 SCQ4-SLSS6 @ 90.0°
7	118.379	21.959	LOCK 880 SCQ4-SLSS6 @ 0.0°
8	61.424	21.959	LOCK 880 SCQ4-SLSS6 @ 180.0°
9	58.379	21.959	LOCK 880 SCQ4-SLSS6 @ 0.0°
10	1.424	21.959	LOCK 880 SCQ4-SLSS6 @ 180.0°
11	115.553	42.494	LOCK 880 SCQ4-SLSS6 @ 90.0°
12	89.902	42.494	LOCK 880 SCQ4-SLSS6 @ 90.0°

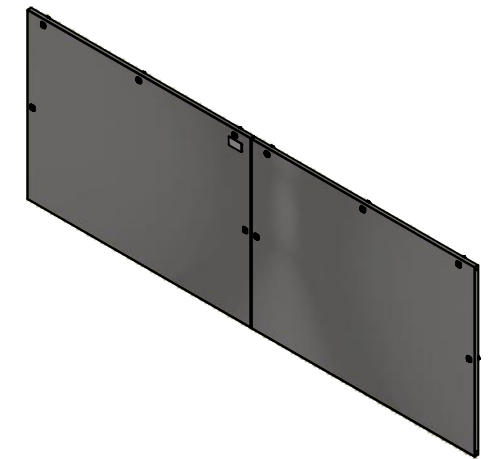


	Description	Status
	1412BTSSCU 44" x 120" Cover	(NULL)
	Part Number Numéro Pièce	Rev.
	<b>1412BTSSCU102505DTC</b>	<b>0</b>
		13
		18

This drawing is confidential and must not be reproduced or used without the consent of EXM

Ce dessin est confidentiel et ne doit pas être reproduit ou utilisé sans le consentement de EXM

No.	Revisions	Date	By/Par



Isometric View

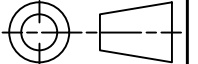


Tél: (450) 979-4373  
 Fax: (450) 979-4626  
[www.exmweb.com](http://www.exmweb.com)

Flatness  
Aplatissement

Max 3.0mm

Projection



Customer Client \_\_\_\_\_ Date \_\_\_\_\_

Drawn By / Dessiné Par: BoxCad: BoxCad Date: 27-Oct-22

Material / Matière: 14 Ga Stainless Steel 304 (1.7mm)

Color / Couleur: Unpainted Finish / Fini: Brushed

Description: 1412BTSSCU 44" x 120" Cover  
 Detail Rev. \_\_\_\_\_

Part Number / Numéro Pièce: **1412BTSSCU102505DTC**  
 Rev. **0** 14/18

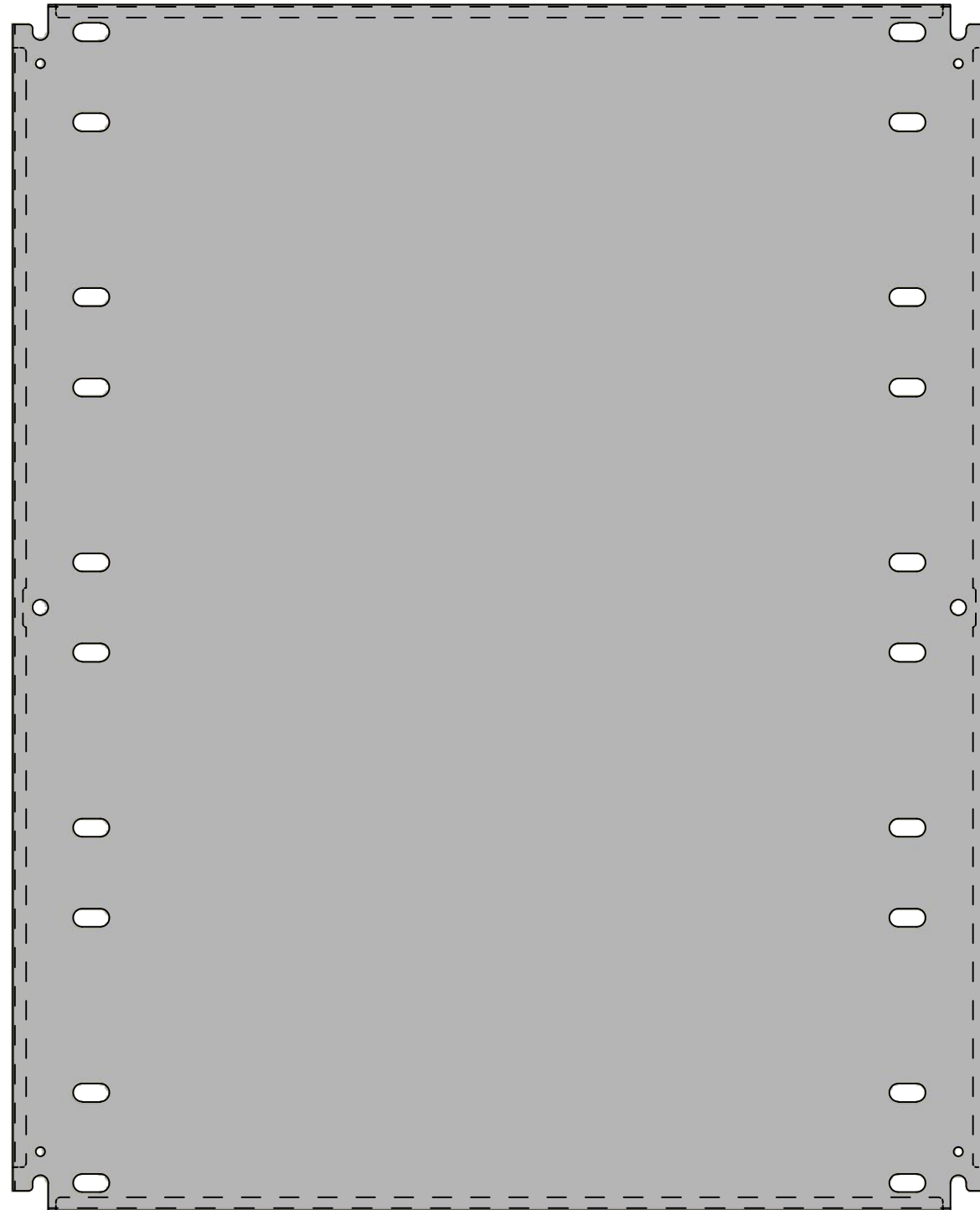
Qty	Part Name	Rev	Description
2	1412BTSSCU102505DTG	0	1412BTSSCU 44" x 120" Cover Gasket
8	STK-K-09850	6	5412 ESS Hinge with 2 Captive Hinge Pins
2	STK-Q-16095	0	M6 x 16mm Stainless Steel Ground Stud
1	STK-S-00100	0	3.5" x 2" Silver Milar Flexcon Sticker
1	1412BTSSCU102505DTC-P	0	1412BTSSCU 44" x 60" Left Cover Part
1	1412BTSSCU102505DTF-P	0	1412BTSSCU 44" x 120" Right Cover Part
10	880 SCQ4-SLSS6	7	5412 ESS 1/4 Turn Lock
Parts List			

This drawing is confidential and must not be reproduced or used without the consent of EXM

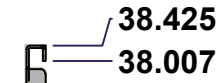
Ce dessin est confidentiel et ne doit pas être reproduit ou utilisé sans le consentement de EXM



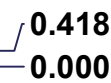
TOP



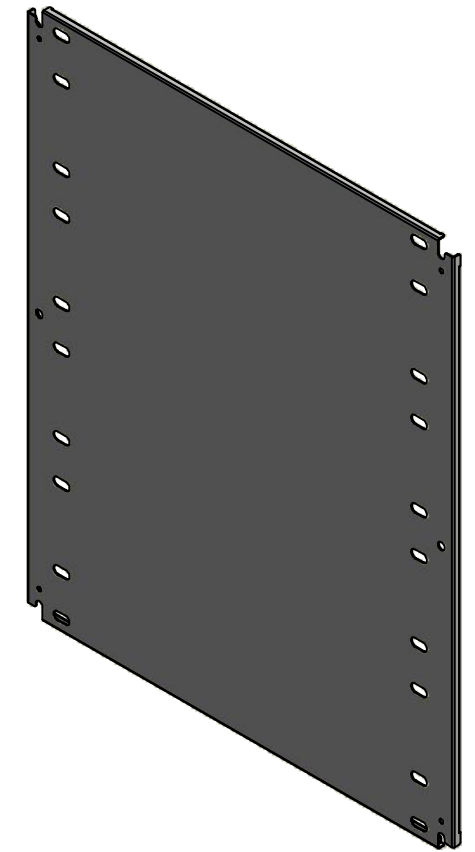
FRONT



RIGHT



No.	Revisions	Date	By/Par



Isometric View

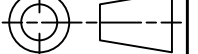


Tél: (450) 979-4373  
 Fax: (450) 979-4626  
[www.exmweb.com](http://www.exmweb.com)

Flatness  
Aplatissement

Max 3.0mm

Projection



Customer Client	Date
Drawn By / Dessiné Par: BoxCad: BoxCad	Date: 27-Oct-22
Material / Matière: 14 Ga Cold Rolled A1008 CS Type B (1.7mm)	

Color / Couleur: White RAL9003	Finish / Fini: Smooth
--------------------------------	-----------------------

Description: 1412BTSSCU 38.425" x 31" Left Inner Panel	Detail Rev.
--	-------------

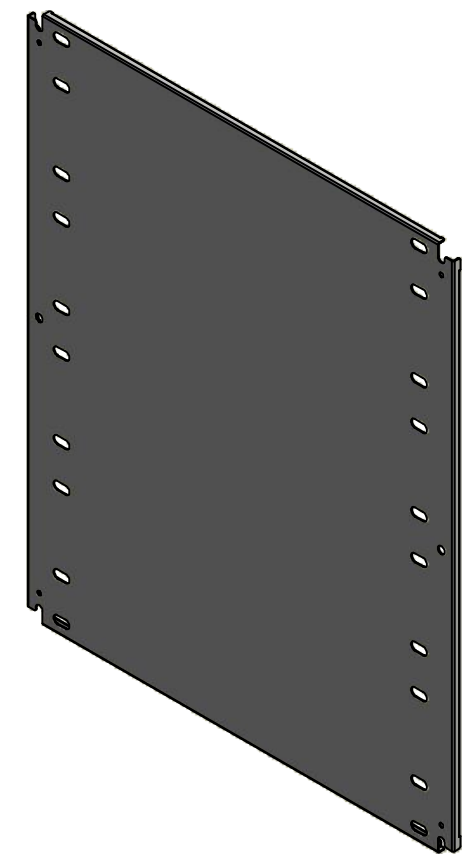
Part Number / Numéro Pièce: 1412BTSSCU102505DTIP1	Rev. 0	15 / 18
---	--------	---------

SEE BILL OF MATERIAL ON LAST PAGE

This drawing is confidential and must not be reproduced or used without the consent of EXM

Ce dessin est confidentiel et ne doit pas être reproduit ou utilisé sans le consentement de EXM

No.	Revisions	Date	By/Par



Isometric View



Tél: (450) 979-4373  
 Fax: (450) 979-4626  
[www.exmweb.com](http://www.exmweb.com)

Flatness  
Aplatissement  
Max 3.0mm  
Projection

Customer Client	Date
Drawn By / Dessiné Par: BoxCad: BoxCad	Date: 27-Oct-22
Material / Matière: 14 Ga Cold Rolled A1008 CS Type B (1.7mm)	

Color / Couleur: White RAL9003	Finish / Fini: Smooth
--------------------------------	-----------------------

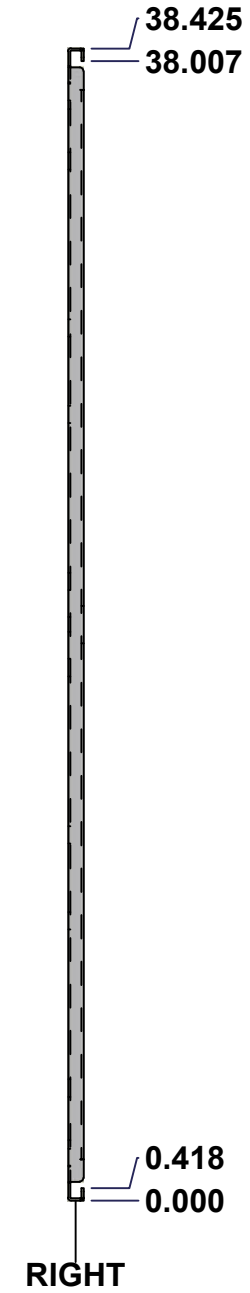
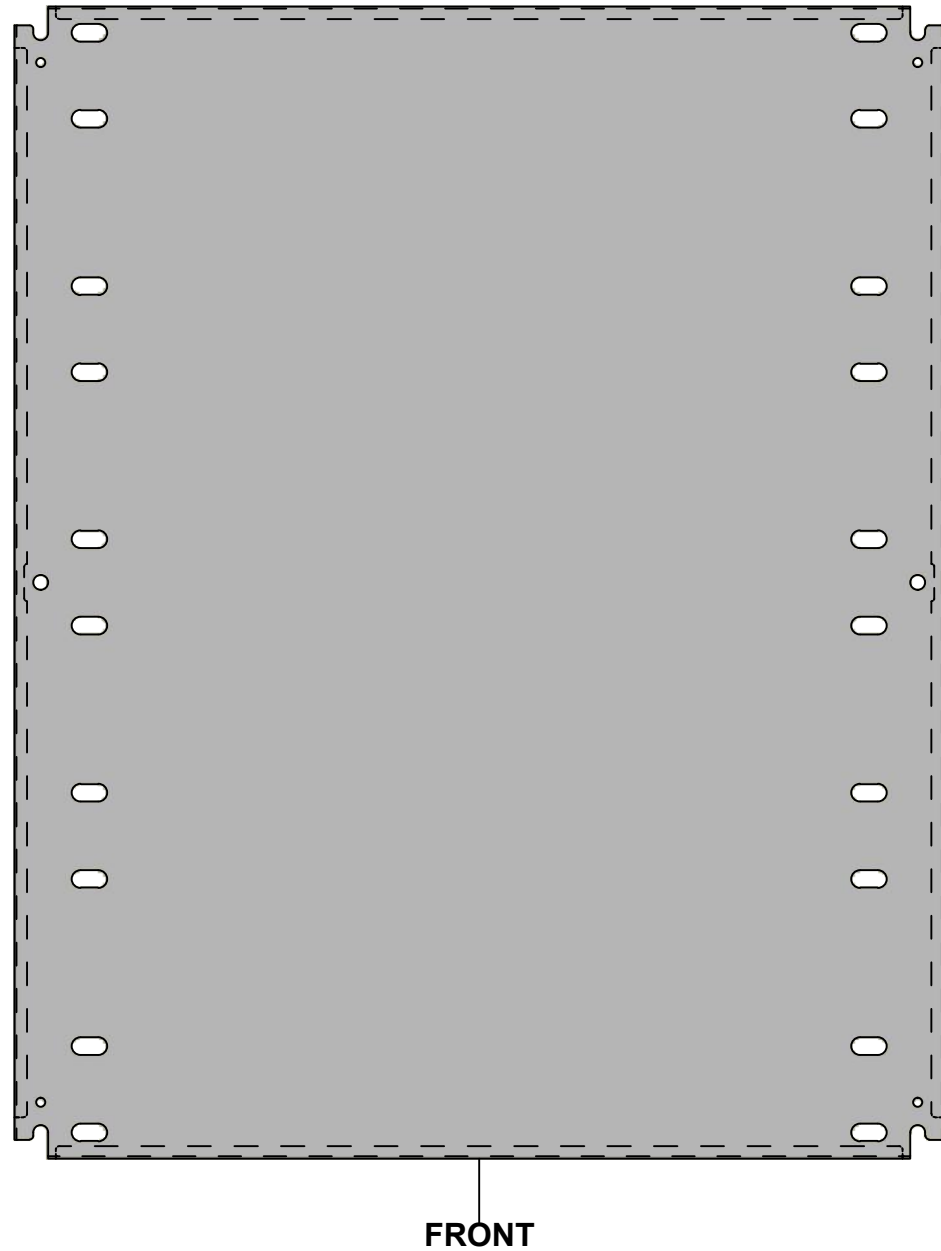
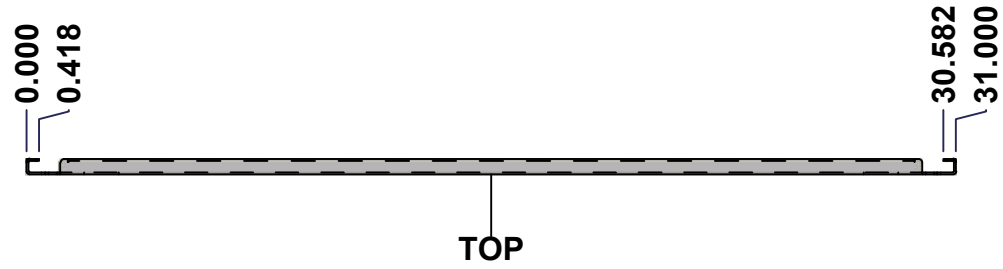
Qty	Part Number	Rev	Description
1	STK-P-02401S	0	Powder Paint (White / Smooth)
1	1412BTSSCU102505DTIP 1-P	0	1412BTSSCU 38.425" x 120" Left Inner Panel Part
Parts List			

Description: 1412BTSSCU 38.425" x 31" Left Inner Panel		Detail Rev.	
Part Number / Numéro Pièce: <b>1412BTSSCU102505DTIP1</b>	Rev. <b>0</b>	16	18

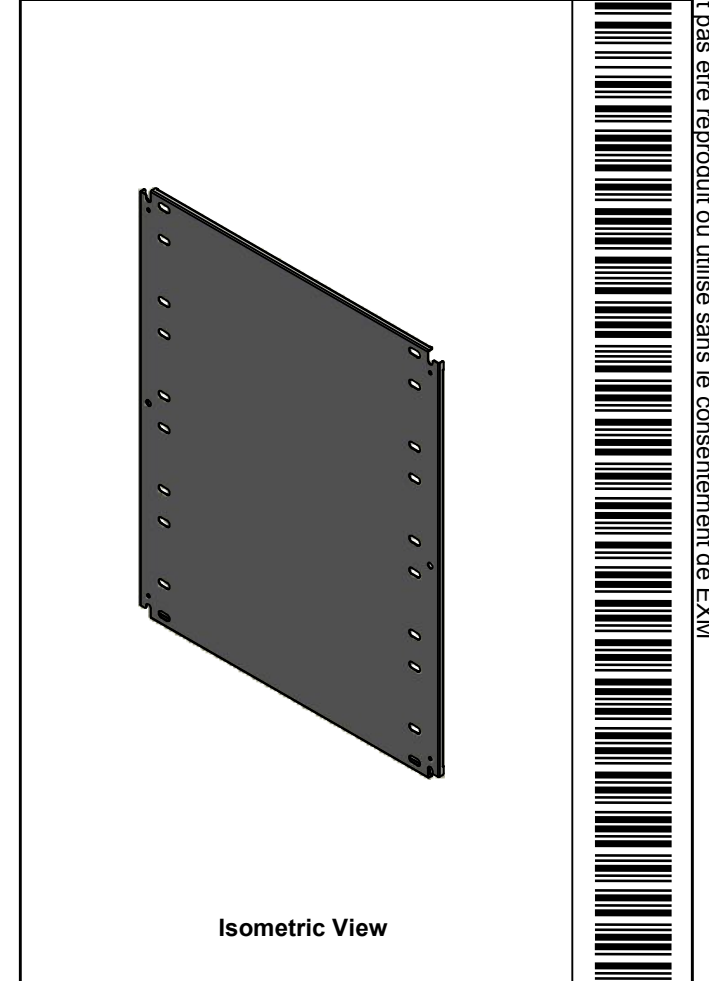


This drawing is confidential and must not be reproduced or used without the consent of EXM

Ce dessin est confidentiel et ne doit pas être reproduit ou utilisé sans le consentement de EXM



No.	Revisions	Date	By/Par



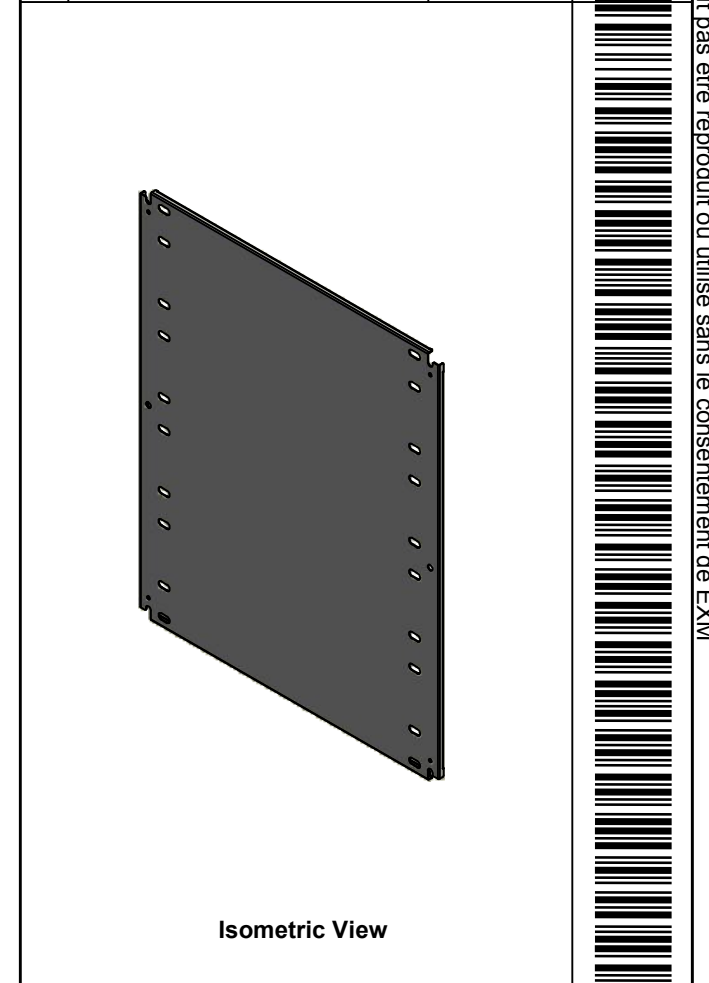
Tél: (450) 979-4373 Fax: (450) 979-4626 <a href="http://www.exmweb.com">www.exmweb.com</a>		Flatness Aplatissement Max 3.0mm Projection 
Customer Client	Date	
Drawn By Dessiné Par	BoxCad: BoxCad	Date 27-Oct-22
Material Matière	14 Ga Cold Rolled A1008 CS Type B (1.7mm)	
Color Couleur	White RAL9003	Finish Fini Smooth
Description	Detail Rev.	
1412BTSSCU 38.425" x 31" Right Inner Panel		
Part Number Numéro Pièce	Rev.	17
1412BTSSCU102505DTIP2	0	18

SEE BILL OF MATERIAL ON LAST PAGE

This drawing is confidential and must not be reproduced or used without the consent of EXM


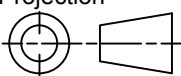
Ce dessin est confidentiel et ne doit pas être reproduit ou utilisé sans le consentement de EXM

No.	Revisions	Date	By/Par



Isometric View



 Tél: (450) 979-4373 Fax: (450) 979-4626 <a href="http://www.exmweb.com">www.exmweb.com</a>		Flatness Aplatissement Max 3.0mm Projection 
Customer Client	Date	
Drawn By Dessiné Par	BoxCad: BoxCad	Date 27-Oct-22
Material Matière	14 Ga Cold Rolled A1008 CS Type B (1.7mm)	
Color Couleur	White RAL9003	Finish Fini Smooth
Description		Detail Rev.
1412BTSSCU 38.425" x 31" Right Inner Panel		
Part Number Numéro Pièce	Rev.	18
<b>1412BTSSCU102505DTIP2</b>	<b>0</b>	18

Qty	Part Number	Rev	Description
1	STK-P-02401S	0	Powder Paint (White / Smooth)
1	1412BTSSCU102505DTIP 2-P	0	1412BTSSCU 38.425" x 120" Right Inner Panel Part
Parts List			