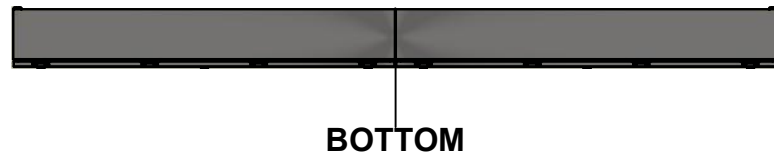
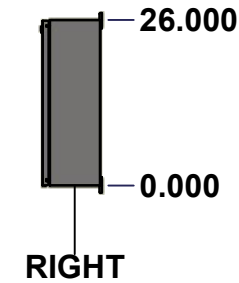
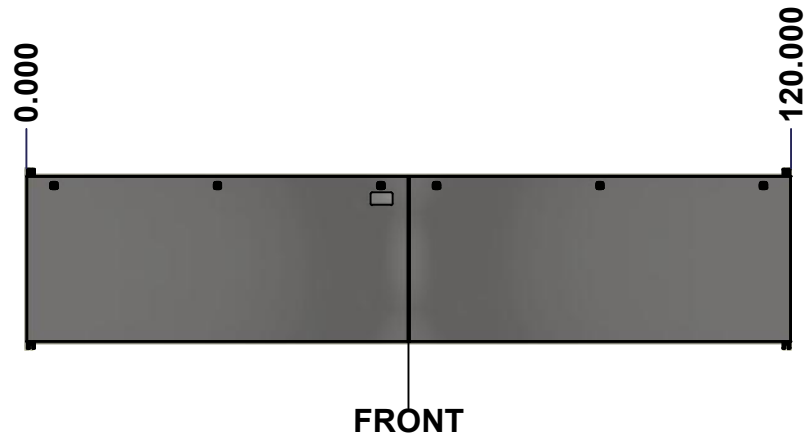
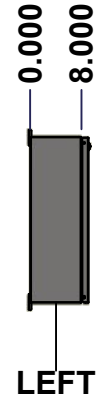
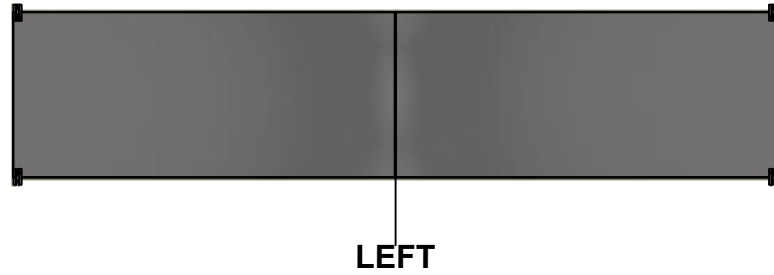
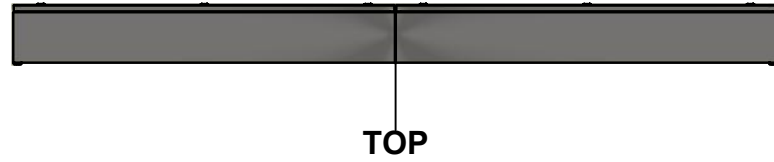
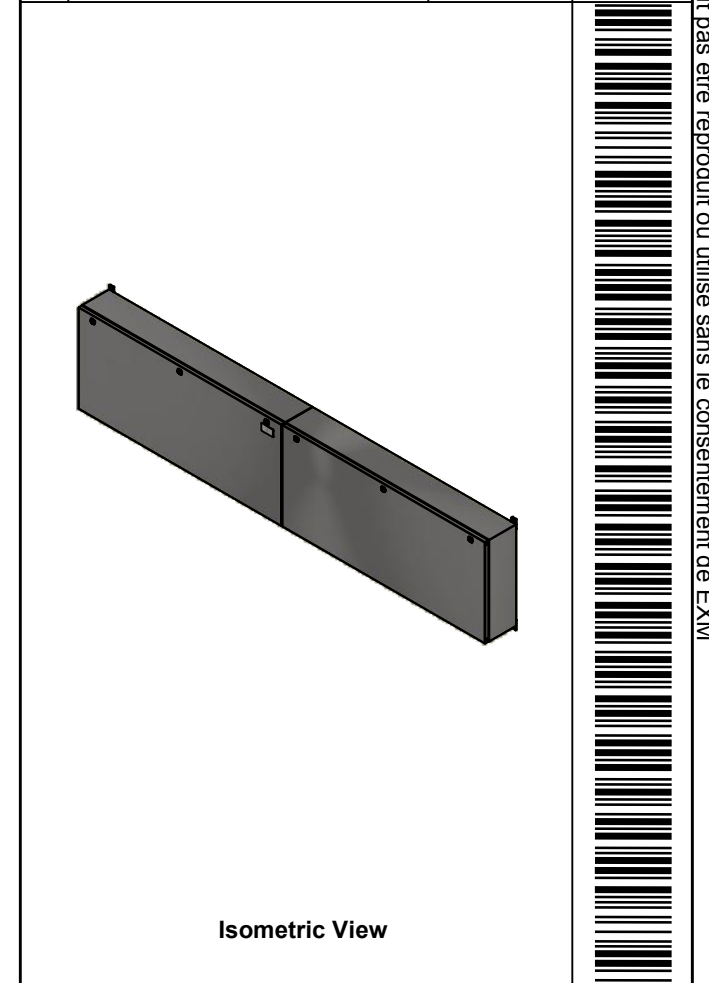



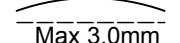
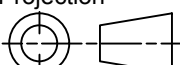
This drawing is confidential and must not be reproduced or used without the consent of EXM

Ce dessin est confidentiel et ne doit pas être reproduit ou utilisé sans le consentement de EXM



No.	Revisions	Date	By/Par



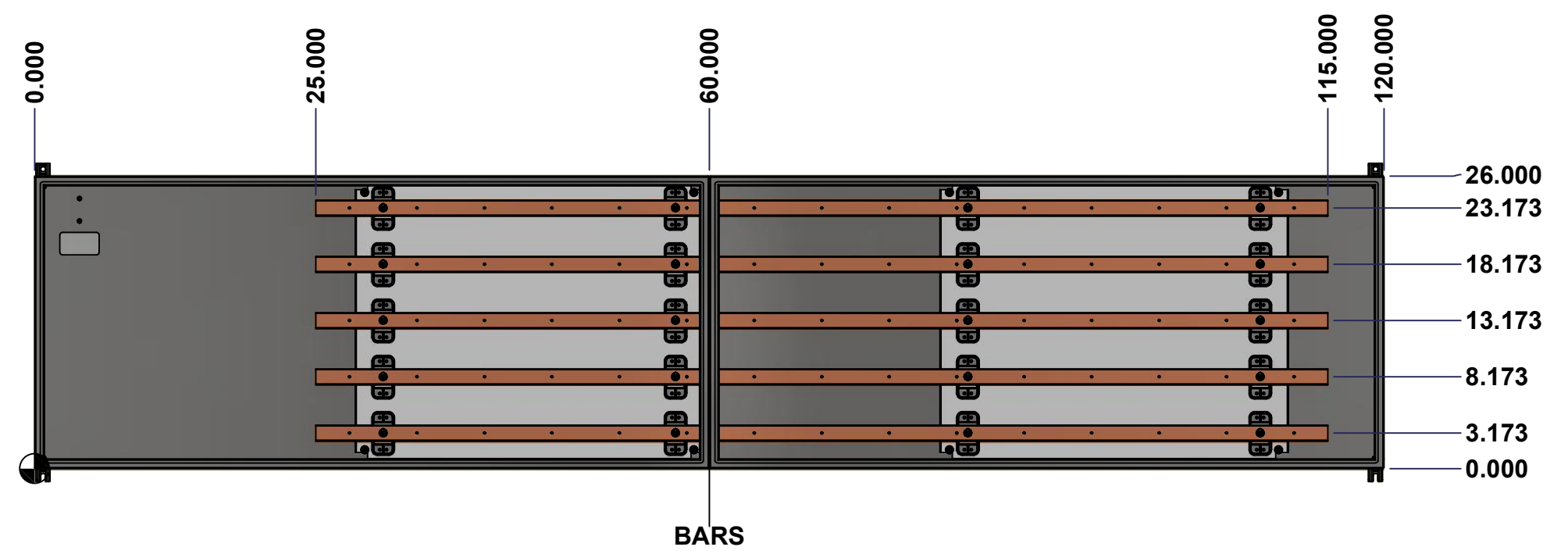
 Tél: (450) 979-4373 Fax: (450) 979-4626 www.exmweb.com		Flatness Aplatissement  Max 3.0mm
Projection 		Date 26-Oct-22
Customer Client	Date	
Drawn By Dessiné Par	BoxCad: BoxCad	Date 26-Oct-22
Material Matière	14 Ga Stainless Steel 304 (1.7mm)	
Color Couleur	Unpainted	Finish Fini Brushed
Description	Detail Rev.	
1412BTSSCU 400A - 5Wires x 120" Assembly		
Part Number Numéro Pièce	Rev.	1
1412BTSSCU10405DT	0	18

SEE BILL OF MATERIAL ON LAST PAGE

This drawing is confidential and must not be reproduced or used without the consent of Eurobox

Ce dessin est confidentiel et ne doit pas être reproduit ou utilisé sans le consentement de Eurobox

STANDARD FEATURES ARE NOT LISTED IN THIS HOLE TABLE



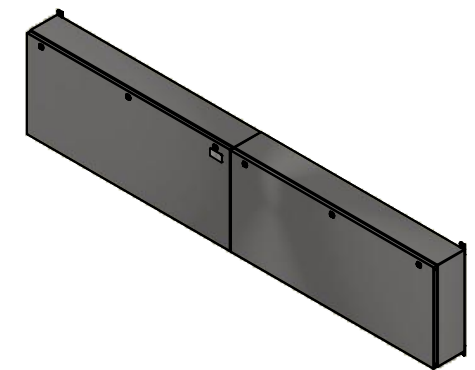
	Description 1412BTSSCU 400A - 5Wires x 120" Assembly		Status (NULL)
	Part Number Numéro Pièce 1412BTSSCU10405DT		Rev. 2 0 / 18

This drawing is confidential and must not be reproduced or used without the consent of EXM

Ce dessin est confidentiel et ne doit pas être reproduit ou utilisé sans le consentement de EXM

NOTE	
ITEM	DESCRIPTION
1	NEMA 4X Enclosure
2	C/W Standard ground studs on box and cover
3	W/O Standard door stiffener
4	C/W Special inner panel (Sold separately)
5	C/W Standard inner panel mounting studs

No.	Revisions	Date	By/Par



Isometric View



8	STK-Q-04051-07	8	M6 x 7mm Stainless Steel Hexagon Socket Head Machine Screw with Nyseal
1	885 ESMF2	0	885 ESMF2 Stainless Steel Mounting Feet Kit
1	1412BTSSCU10405DTIP2	0	1412BTSSCU 24.625" x 31" Right Inner Panel
1	1412BTSSCU10405DTBA R1-P	0	Rounded Edge Copper Bar 3/16" x 1 1/2"
1	1412BTSSCU10405DTBA R2-P	0	Rounded Edge Copper Bar 3/16" x 1 1/2"
1	1412BTSSCU10405DTBA R3-P	0	Rounded Edge Copper Bar 3/16" x 1 1/2"
1	1412BTSSCU10405DTBA R4-P	0	Rounded Edge Copper Bar 3/16" x 1 1/2"
1	1412BTSSCU10405DTBA R5-P	0	Rounded Edge Copper Bar 3/16" x 1 1/2"
1	1412BTSSCU10405DTIP1	0	1412BTSSCU 24.625" x 31" Left Inner Panel
20	STK-A-67400	0	Buss Bar Insulator Kit
1	STK-K-01800	5	5412 ES Accessory Kit
28	STK-Q-07310	2	Flange Lock Nut M8
8	STK-Q-07610	8	M8 Plastic Spacer 22.2mm
1	1412BTSSCU10405DTB	0	1412BTSSCU 26" x 120" x 8" Body
1	1412BTSSCU10405DTC	0	1412BTSSCU 26" x 120" Cover
Qty	Part Number	Rev	Description
Parts List			

PACKING		
ITEM	QTY	DESCRIPTION
Cardboard sleeve	2	Top and Bottom
Cardboard strip	2	Between back of enclosure and inner panel
Plastic bag	1	To protect cover surface and inside gasket
Cardboard corner	4	To reinforced for the plastic strap tightening
Plastic strap - Black	2	To Squeeze 2 cardboard sleeve together
Packaging label	3	White label with PN
Plastic strap- Green	2	To secure the enclosure to the wood pallet
Wood Pallet	1	2" deeper and 3" larger than enclosure size

	Tél: (450) 979-4373 Fax: (450) 979-4626 www.exmweb.com	Flatness Aplatissement Max 3.0mm
	Projection 	Customer Client
Drawn By Dessiné Par	BoxCad: BoxCad	Date 26-Oct-22
Material Matière	14 Ga Stainless Steel 304 (1.7mm)	
Color Couleur	Unpainted	Finish Fini Brushed
Description 1412BTSSCU 400A - 5Wires x 120" Assembly	Detail Rev.	
Part Number Numéro Pièce 1412BTSSCU10405DT	Rev.	3 0 18

This drawing is confidential and must not be reproduced or used without the consent of EXM

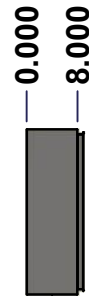
Ce dessin est confidentiel et ne doit pas être reproduit ou utilisé sans le consentement de EXM



TOP



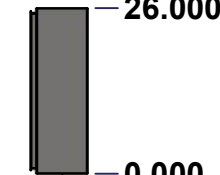
BACK



LEFT



FRONT

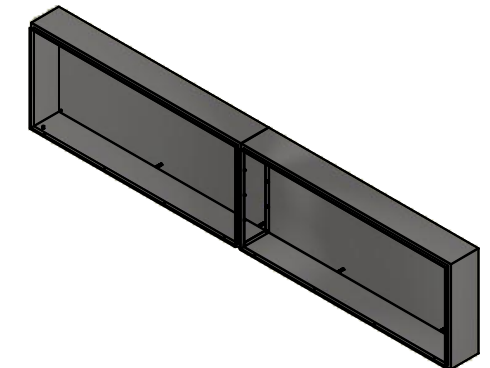


RIGHT



BOTTOM

No.	Revisions	Date	By/Par



Isometric View

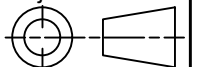


Tél: (450) 979-4373
 Fax: (450) 979-4626
www.exmweb.com

Flatness
Aplatissement

Max 3.0mm

Projection



Customer Client	Date
Drawn By Dessiné Par BoxCad: BoxCad	Date 26-Oct-22
Material Matière 14 Ga Stainless Steel 304 (1.7mm)	
Color Couleur Unpainted	Finish Fini Brushed
Description 1412BTSSCU 26" x 120" x 8" Body	Detail Rev.
Part Number Numéro Pièce 1412BTSSCU10405DTB	Rev. 0

SEE BILL OF MATERIAL ON LAST PAGE

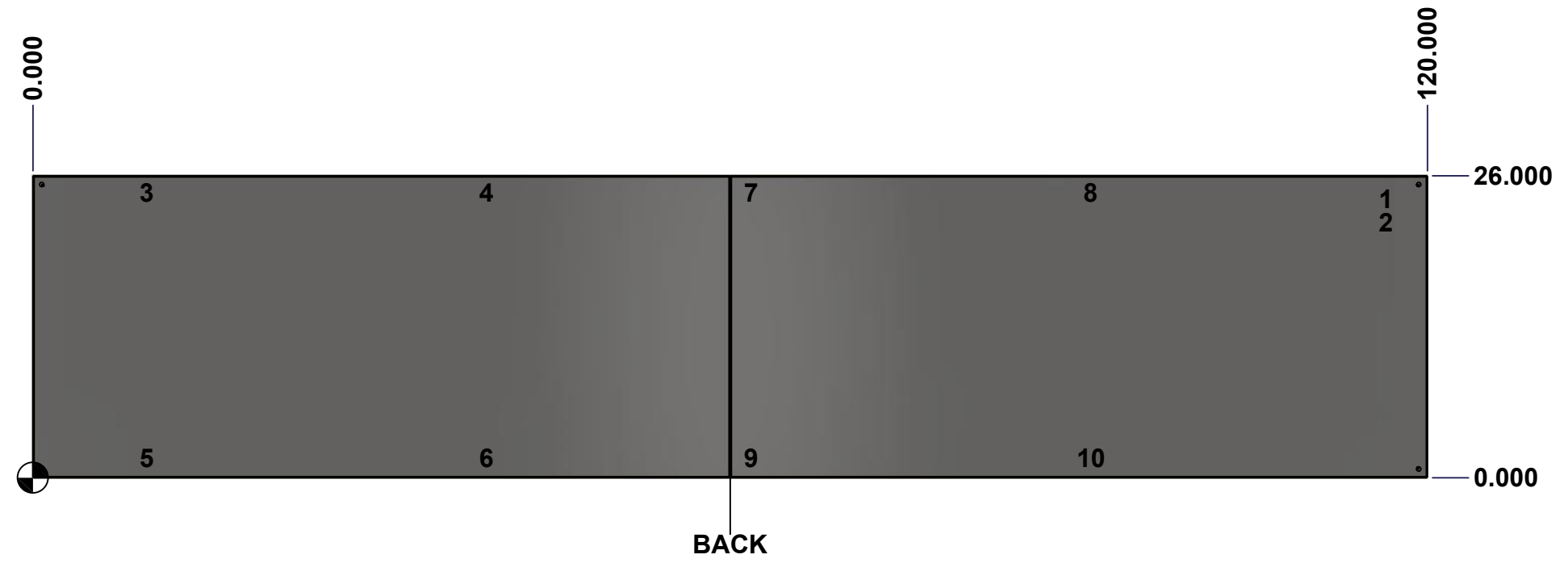
This drawing is confidential and must not be reproduced or used without the consent of Eurobox

Ce dessin est confidentiel et ne doit pas être reproduit ou utilisé sans le consentement de Eurobox

STANDARD FEATURES ARE NOT LISTED IN THIS HOLE TABLE

HOLE TABLE - BACK VIEW (CUSTOM FEATURE ONLY)

CUT-OUT	XDIM	YDIM	DESCRIPTION
1	116.000	24.000	GND STUD M8 x 35mm (Inside)
2	116.000	22.000	GND STUD M8 x 35mm (Inside)
3	9.375	24.563	IP STUD M8 x 35mm (Inside)
4	38.625	24.563	IP STUD M8 x 35mm (Inside)
5	9.375	1.688	IP STUD M8 x 35mm (Inside)
6	38.625	1.688	IP STUD M8 x 35mm (Inside)
7	61.375	24.563	IP STUD M8 x 35mm (Inside)
8	90.625	24.563	IP STUD M8 x 35mm (Inside)
9	61.375	1.688	IP STUD M8 x 35mm (Inside)
10	90.625	1.688	IP STUD M8 x 35mm (Inside)

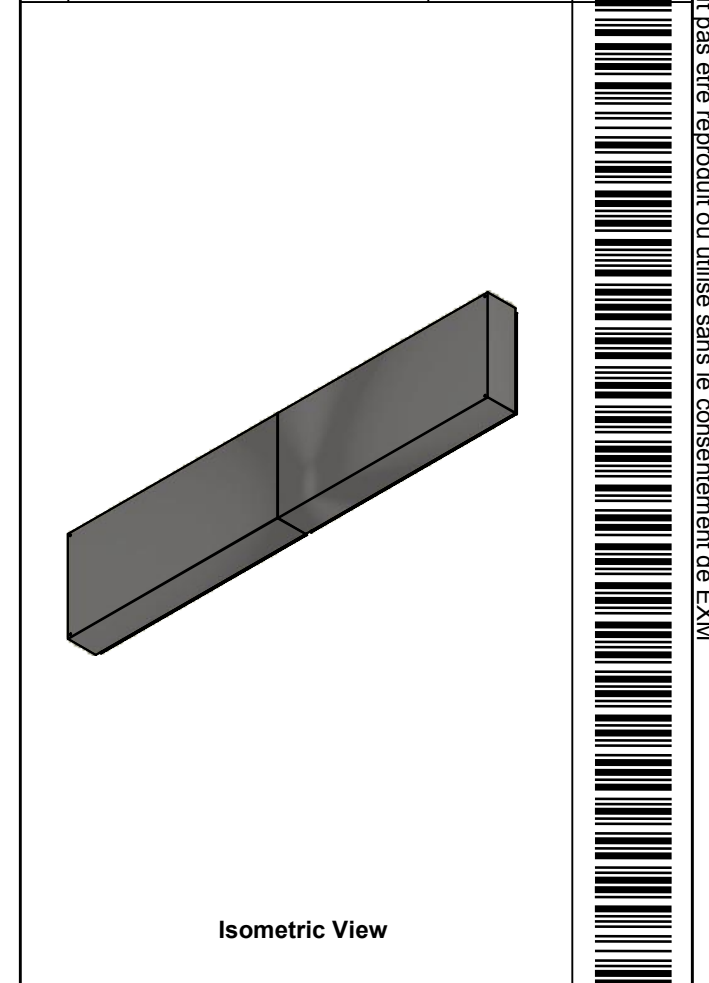


	Description		Status
	1412BTSSCU 26" x 120" x 8" Body		(NULL)
Part Number Numéro Pièce		Rev.	5
1412BTSSCU10405DTB		0	18

This drawing is confidential and must not be reproduced or used without the consent of EXM

Ce dessin est confidentiel et ne doit pas être reproduit ou utilisé sans le consentement de EXM

No.	Revisions	Date	By/Par




 Tél: (450) 979-4373
 Fax: (450) 979-4626
www.exmweb.com

Flatness / Aplatissement: Max 3.0mm
 Projection: 

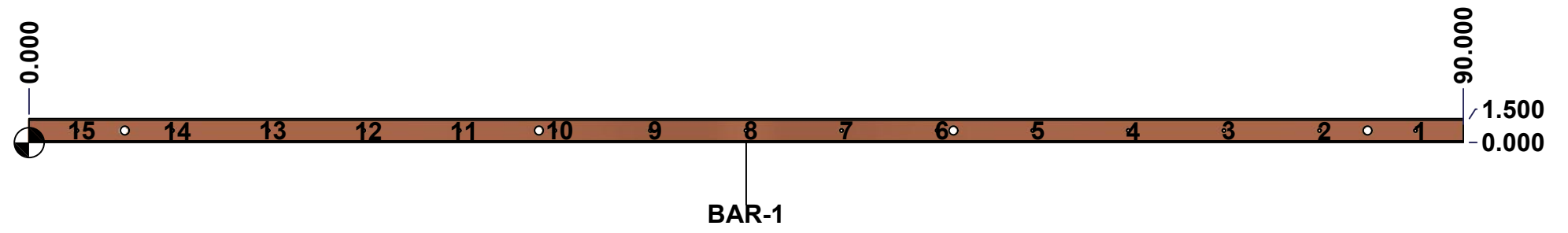
Qty	Part Number	Rev	Description
1	1412BTSSCU10405DTB-P	0	1412BTSSCU 26" x 120" x 8" Left Body Part
1	1412BTSSCU10405DTE-P	0	1412BTSSCU 26" x 120" x 8" Right Body Part
1	STK-G-00701	0	1" x 1/4" Self-Adhesive Neoprene Gasket
10	STK-Q-00260	1	M6 x 13mm Carriage Bolt
10	STK-Q-07220	1	M6 Nylon Insert Lock Nut
10	STK-Q-16020	1	Stud M8 x 35mm Stainless Steel
2	STK-Q-16095	0	M6 x 16mm Stainless Steel Ground Stud
1	STK-S-00100	0	3.5" x 2" Silver Milar Flexcon Sticker
Parts List			

Customer Client	Date
Drawn By / Dessiné Par: BoxCad: BoxCad	Date: 26-Oct-22
Material / Matière: 14 Ga Stainless Steel 304 (1.7mm)	
Color / Couleur: Unpainted	Finish / Fini: Brushed
Description: 1412BTSSCU 26" x 120" x 8" Body	Detail Rev.
Part Number / Numéro Pièce: 1412BTSSCU10405DTB	Rev. 0
	6 / 18

This drawing is confidential and must not be reproduced or used without the consent of Eurobex

Ce dessin est confidentiel et ne doit pas être reproduit ou utilisé sans le consentement de Eurobex

STANDARD FEATURES ARE NOT LISTED IN THIS HOLE TABLE			
HOLE TABLE - FRONT VIEW (CUSTOM FEATURE ONLY)			
CUT-OUT	XDIM	YDIM	DESCRIPTION
1	87.000	0.750	RND Ø0.201 THREAD 1/4-20 UNC
2	81.000	0.750	RND Ø0.201 THREAD 1/4-20 UNC
3	75.000	0.750	RND Ø0.201 THREAD 1/4-20 UNC
4	69.000	0.750	RND Ø0.201 THREAD 1/4-20 UNC
5	63.000	0.750	RND Ø0.201 THREAD 1/4-20 UNC
6	57.000	0.750	RND Ø0.201 THREAD 1/4-20 UNC
7	51.000	0.750	RND Ø0.201 THREAD 1/4-20 UNC
8	45.000	0.750	RND Ø0.201 THREAD 1/4-20 UNC
9	39.000	0.750	RND Ø0.201 THREAD 1/4-20 UNC
10	33.000	0.750	RND Ø0.201 THREAD 1/4-20 UNC
11	27.000	0.750	RND Ø0.201 THREAD 1/4-20 UNC
12	21.000	0.750	RND Ø0.201 THREAD 1/4-20 UNC
13	15.000	0.750	RND Ø0.201 THREAD 1/4-20 UNC
14	9.000	0.750	RND Ø0.201 THREAD 1/4-20 UNC
15	3.000	0.750	RND Ø0.201 THREAD 1/4-20 UNC

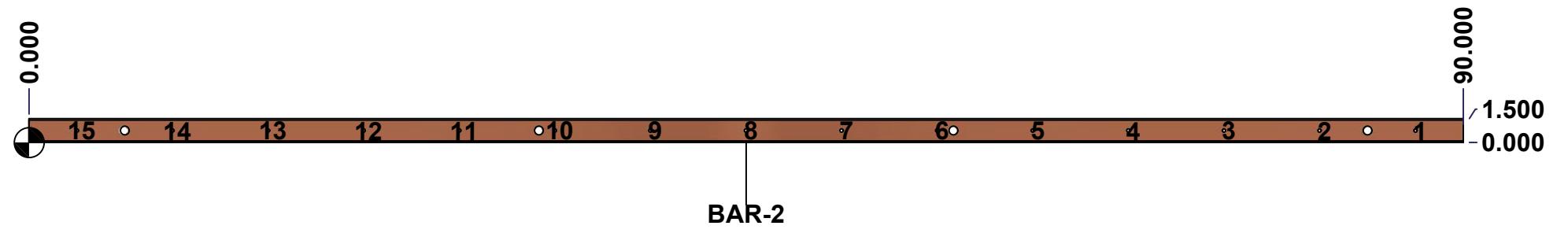


	Description	Status
	Rounded Edge Copper Bar 3/16" x 1 1/2"	(NULL)
	Part Number Numéro Pièce	Rev.
	1412BTSSCU10405DTBAR1-P 0	7
		18

This drawing is confidential and must not be reproduced or used without the consent of Eurobex

Ce dessin est confidentiel et ne doit pas être reproduit ou utilisé sans le consentement de Eurobex

STANDARD FEATURES ARE NOT LISTED IN THIS HOLE TABLE			
HOLE TABLE - FRONT VIEW (CUSTOM FEATURE ONLY)			
CUT-OUT	XDIM	YDIM	DESCRIPTION
1	87.000	0.750	RND Ø0.201 THREAD 1/4-20 UNC
2	81.000	0.750	RND Ø0.201 THREAD 1/4-20 UNC
3	75.000	0.750	RND Ø0.201 THREAD 1/4-20 UNC
4	69.000	0.750	RND Ø0.201 THREAD 1/4-20 UNC
5	63.000	0.750	RND Ø0.201 THREAD 1/4-20 UNC
6	57.000	0.750	RND Ø0.201 THREAD 1/4-20 UNC
7	51.000	0.750	RND Ø0.201 THREAD 1/4-20 UNC
8	45.000	0.750	RND Ø0.201 THREAD 1/4-20 UNC
9	39.000	0.750	RND Ø0.201 THREAD 1/4-20 UNC
10	33.000	0.750	RND Ø0.201 THREAD 1/4-20 UNC
11	27.000	0.750	RND Ø0.201 THREAD 1/4-20 UNC
12	21.000	0.750	RND Ø0.201 THREAD 1/4-20 UNC
13	15.000	0.750	RND Ø0.201 THREAD 1/4-20 UNC
14	9.000	0.750	RND Ø0.201 THREAD 1/4-20 UNC
15	3.000	0.750	RND Ø0.201 THREAD 1/4-20 UNC

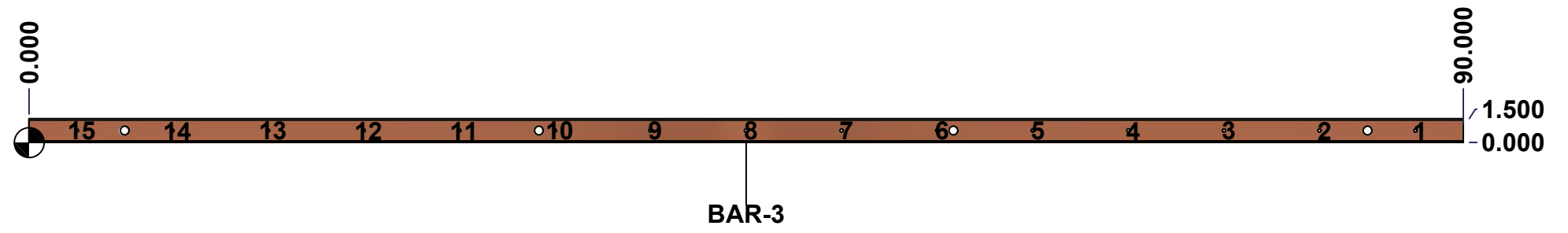


	Description	Status
	Rounded Edge Copper Bar 3/16" x 1 1/2"	(NULL)
	Part Number Numéro Pièce	Rev.
	1412BTSSCU10405DTBAR2-P 0	8
		18

This drawing is confidential and must not be reproduced or used without the consent of Eurobex

Ce dessin est confidentiel et ne doit pas être reproduit ou utilisé sans le consentement de Eurobex

STANDARD FEATURES ARE NOT LISTED IN THIS HOLE TABLE			
HOLE TABLE - FRONT VIEW (CUSTOM FEATURE ONLY)			
CUT-OUT	XDIM	YDIM	DESCRIPTION
1	87.000	0.750	RND Ø0.201 THREAD 1/4-20 UNC
2	81.000	0.750	RND Ø0.201 THREAD 1/4-20 UNC
3	75.000	0.750	RND Ø0.201 THREAD 1/4-20 UNC
4	69.000	0.750	RND Ø0.201 THREAD 1/4-20 UNC
5	63.000	0.750	RND Ø0.201 THREAD 1/4-20 UNC
6	57.000	0.750	RND Ø0.201 THREAD 1/4-20 UNC
7	51.000	0.750	RND Ø0.201 THREAD 1/4-20 UNC
8	45.000	0.750	RND Ø0.201 THREAD 1/4-20 UNC
9	39.000	0.750	RND Ø0.201 THREAD 1/4-20 UNC
10	33.000	0.750	RND Ø0.201 THREAD 1/4-20 UNC
11	27.000	0.750	RND Ø0.201 THREAD 1/4-20 UNC
12	21.000	0.750	RND Ø0.201 THREAD 1/4-20 UNC
13	15.000	0.750	RND Ø0.201 THREAD 1/4-20 UNC
14	9.000	0.750	RND Ø0.201 THREAD 1/4-20 UNC
15	3.000	0.750	RND Ø0.201 THREAD 1/4-20 UNC

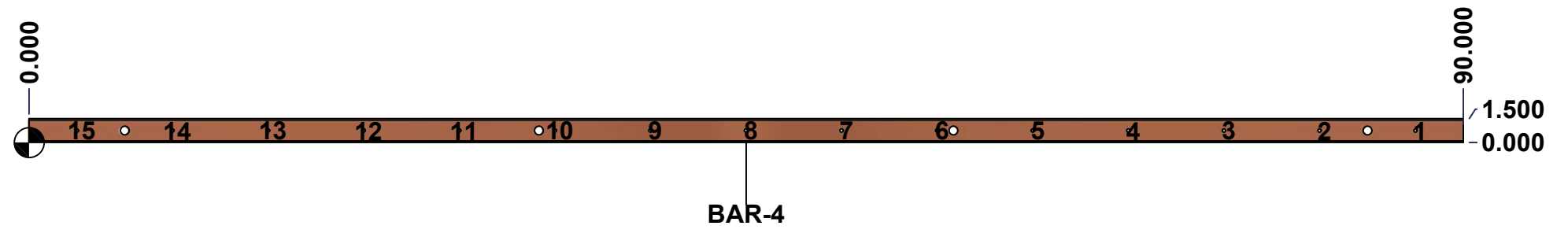


	Description	Status
	Rounded Edge Copper Bar 3/16" x 1 1/2"	(NULL)
	Part Number Numéro Pièce	Rev.
	1412BTSSCU10405DTBAR3-P 0	9
		18

This drawing is confidential and must not be reproduced or used without the consent of Eurobex

Ce dessin est confidentiel et ne doit pas être reproduit ou utilisé sans le consentement de Eurobex

STANDARD FEATURES ARE NOT LISTED IN THIS HOLE TABLE			
HOLE TABLE - FRONT VIEW (CUSTOM FEATURE ONLY)			
CUT-OUT	XDIM	YDIM	DESCRIPTION
1	87.000	0.750	RND Ø0.201 THREAD 1/4-20 UNC
2	81.000	0.750	RND Ø0.201 THREAD 1/4-20 UNC
3	75.000	0.750	RND Ø0.201 THREAD 1/4-20 UNC
4	69.000	0.750	RND Ø0.201 THREAD 1/4-20 UNC
5	63.000	0.750	RND Ø0.201 THREAD 1/4-20 UNC
6	57.000	0.750	RND Ø0.201 THREAD 1/4-20 UNC
7	51.000	0.750	RND Ø0.201 THREAD 1/4-20 UNC
8	45.000	0.750	RND Ø0.201 THREAD 1/4-20 UNC
9	39.000	0.750	RND Ø0.201 THREAD 1/4-20 UNC
10	33.000	0.750	RND Ø0.201 THREAD 1/4-20 UNC
11	27.000	0.750	RND Ø0.201 THREAD 1/4-20 UNC
12	21.000	0.750	RND Ø0.201 THREAD 1/4-20 UNC
13	15.000	0.750	RND Ø0.201 THREAD 1/4-20 UNC
14	9.000	0.750	RND Ø0.201 THREAD 1/4-20 UNC
15	3.000	0.750	RND Ø0.201 THREAD 1/4-20 UNC

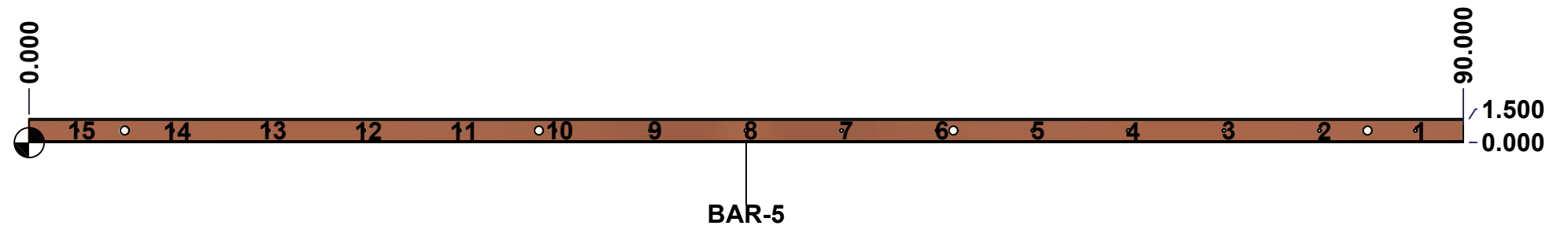


	Description	Status	
	Rounded Edge Copper Bar 3/16" x 1 1/2"	(NULL)	
	Part Number Numéro Pièce	Rev.	10
	1412BTSSCU10405DTBAR4-P 0		18

This drawing is confidential and must not be reproduced or used without the consent of Eurobex

Ce dessin est confidentiel et ne doit pas être reproduit ou utilisé sans le consentement de Eurobex

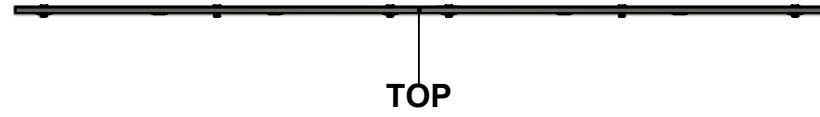
STANDARD FEATURES ARE NOT LISTED IN THIS HOLE TABLE			
HOLE TABLE - FRONT VIEW (CUSTOM FEATURE ONLY)			
CUT-OUT	XDIM	YDIM	DESCRIPTION
1	87.000	0.750	RND Ø0.201 THREAD 1/4-20 UNC
2	81.000	0.750	RND Ø0.201 THREAD 1/4-20 UNC
3	75.000	0.750	RND Ø0.201 THREAD 1/4-20 UNC
4	69.000	0.750	RND Ø0.201 THREAD 1/4-20 UNC
5	63.000	0.750	RND Ø0.201 THREAD 1/4-20 UNC
6	57.000	0.750	RND Ø0.201 THREAD 1/4-20 UNC
7	51.000	0.750	RND Ø0.201 THREAD 1/4-20 UNC
8	45.000	0.750	RND Ø0.201 THREAD 1/4-20 UNC
9	39.000	0.750	RND Ø0.201 THREAD 1/4-20 UNC
10	33.000	0.750	RND Ø0.201 THREAD 1/4-20 UNC
11	27.000	0.750	RND Ø0.201 THREAD 1/4-20 UNC
12	21.000	0.750	RND Ø0.201 THREAD 1/4-20 UNC
13	15.000	0.750	RND Ø0.201 THREAD 1/4-20 UNC
14	9.000	0.750	RND Ø0.201 THREAD 1/4-20 UNC
15	3.000	0.750	RND Ø0.201 THREAD 1/4-20 UNC



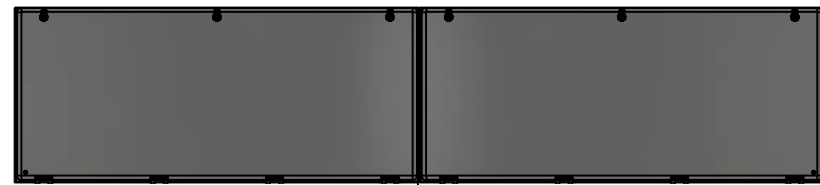
	Description	Status
	Rounded Edge Copper Bar 3/16" x 1 1/2"	(NULL)
	Part Number	Rev.
	Numéro Pièce	11
	1412BTSSCU10405DTBAR5-P 0	18

This drawing is confidential and must not be reproduced or used without the consent of EXM

Ce dessin est confidentiel et ne doit pas être reproduit ou utilisé sans le consentement de EXM



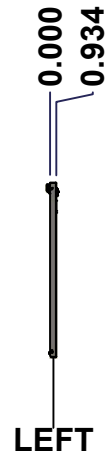
TOP



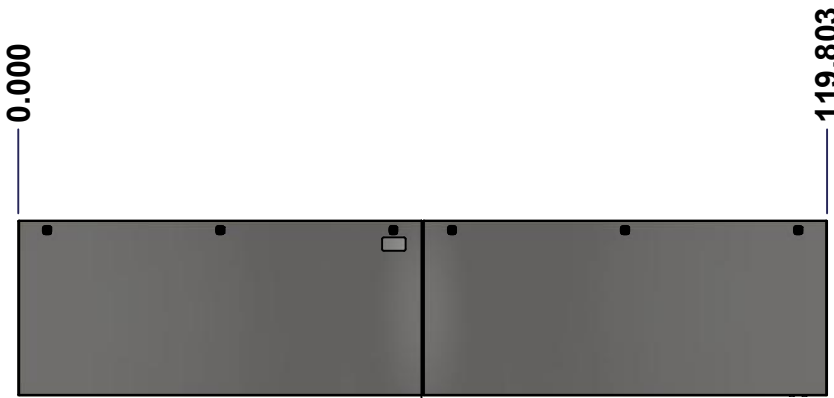
BACK



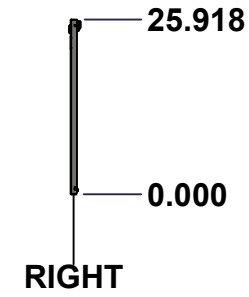
BOTTOM



LEFT

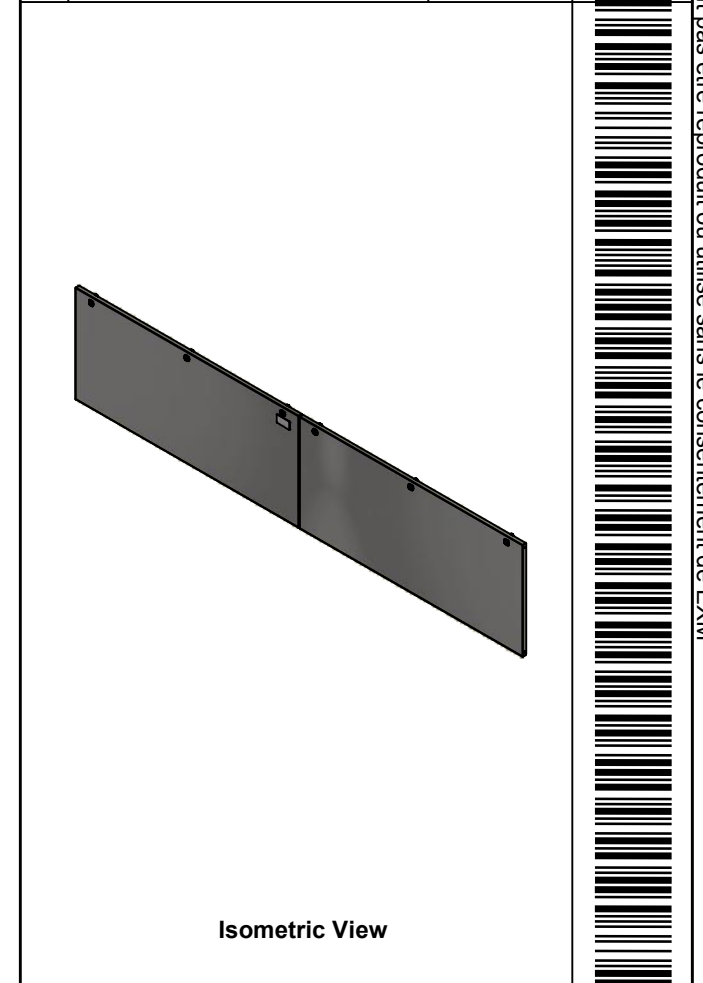


FRONT




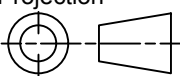
RIGHT

No.	Revisions	Date	By/Par



Isometric View



 Tél: (450) 979-4373 Fax: (450) 979-4626 www.exmweb.com		Flatness Aplatissement Max 3.0mm Projection 
Customer Client	Date	
Drawn By Dessiné Par	BoxCad: BoxCad	Date 26-Oct-22
Material Matière	14 Ga Stainless Steel 304 (1.7mm)	
Color Couleur	Unpainted	Finish Fini Brushed
Description 1412BTSSCU 26" x 120" Cover		Detail Rev.
Part Number Numéro Pièce	Rev. 0	12 / 18

SEE BILL OF MATERIAL ON LAST PAGE

1412BTSSCU10405DTC

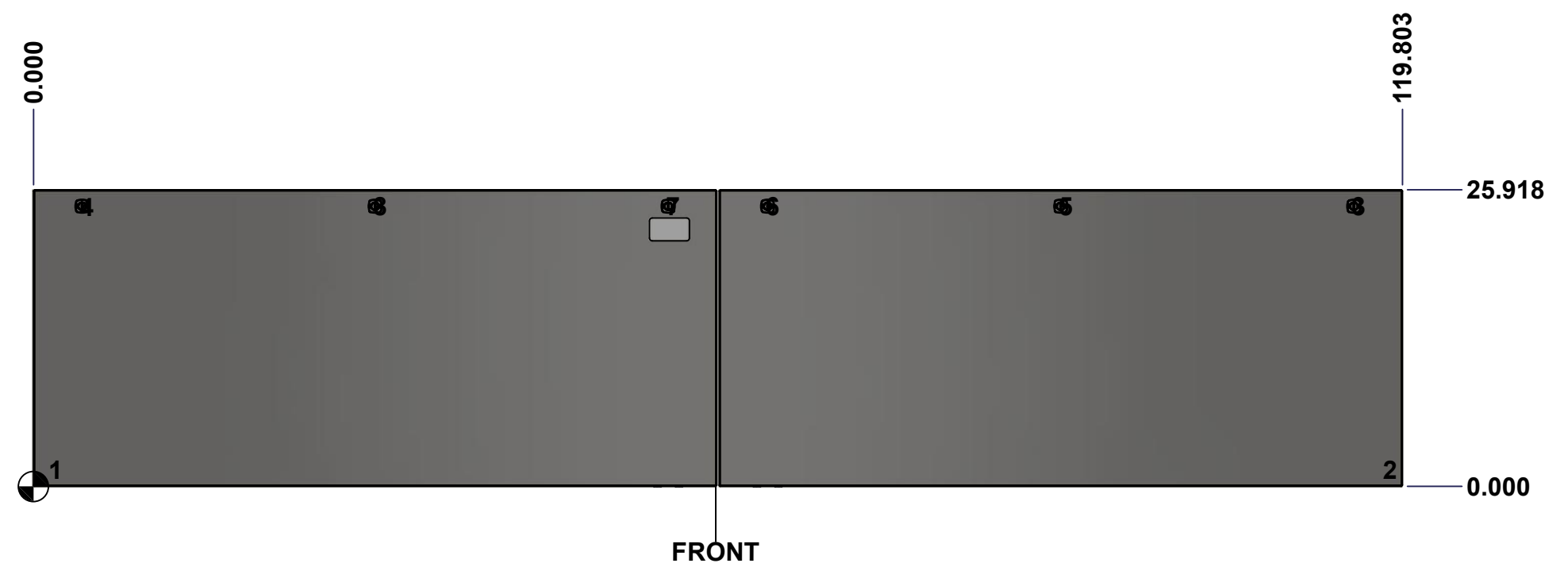
This drawing is confidential and must not be reproduced or used without the consent of Eurobox

Ce dessin est confidentiel et ne doit pas être reproduit ou utilisé sans le consentement de Eurobox

STANDARD FEATURES ARE NOT LISTED IN THIS HOLE TABLE

HOLE TABLE - FRONT VIEW (CUSTOM FEATURE ONLY)

CUT-OUT	XDIM	YDIM	DESCRIPTION
1	1.500	1.486	GND STUD M6 x 16mm (Inside)
2	118.303	1.486	GND STUD M6 x 16mm (Inside)
3	115.553	24.494	LOCK 880 SCQ4-SLSS6 @ 90.0°
4	4.250	24.494	LOCK 880 SCQ4-SLSS6 @ 90.0°
5	89.902	24.494	LOCK 880 SCQ4-SLSS6 @ 90.0°
6	64.250	24.494	LOCK 880 SCQ4-SLSS6 @ 90.0°
7	55.553	24.494	LOCK 880 SCQ4-SLSS6 @ 90.0°
8	29.902	24.494	LOCK 880 SCQ4-SLSS6 @ 90.0°

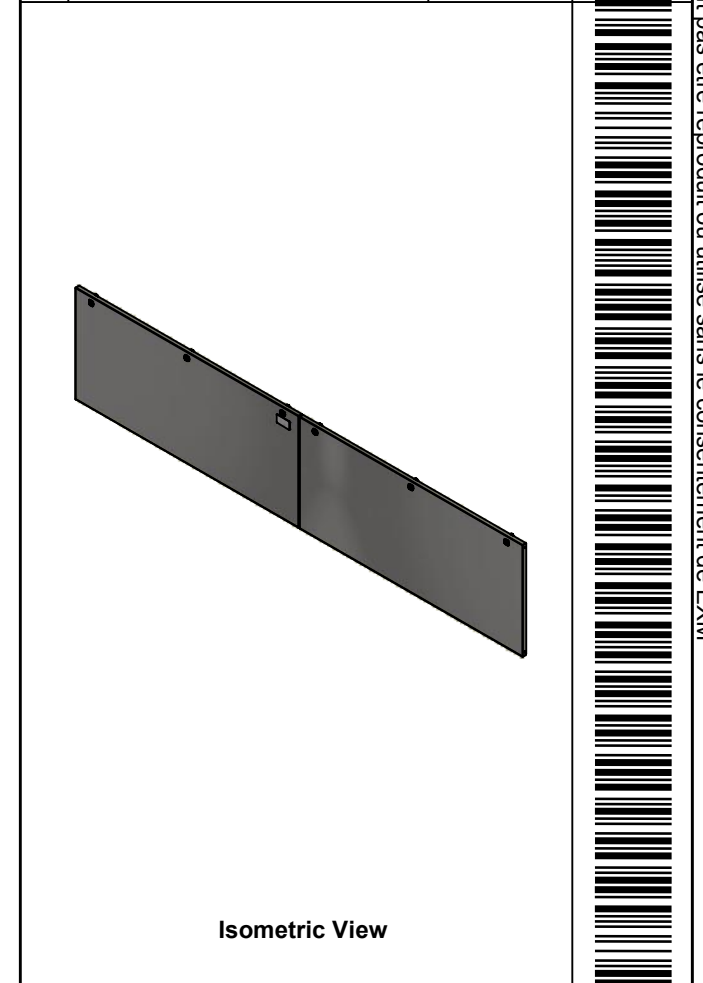


	Description	Status	
	1412BTSSCU 26" x 120" Cover	(NULL)	
	Part Number Numéro Pièce	Rev.	13
	1412BTSSCU10405DTC	0	18

This drawing is confidential and must not be reproduced or used without the consent of EXM

Ce dessin est confidentiel et ne doit pas être reproduit ou utilisé sans le consentement de EXM

No.	Revisions	Date	By/Par




 Tél: (450) 979-4373
 Fax: (450) 979-4626
www.exmweb.com

Flatness / Aplatissement: Max 3.0mm
 Projection: 

Customer Client	Date
Drawn By / Dessiné Par: BoxCad: BoxCad	Date: 26-Oct-22

Material / Matière	14 Ga Stainless Steel 304 (1.7mm)
--------------------	-----------------------------------

Color / Couleur: Unpainted	Finish / Fini: Brushed
----------------------------	------------------------

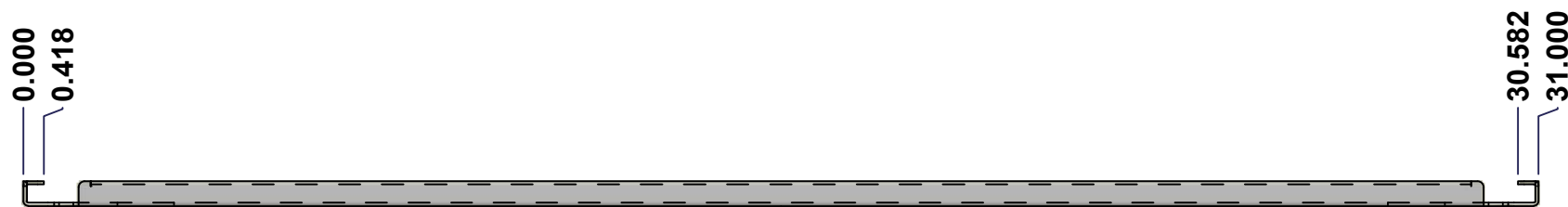
Description: 1412BTSSCU 26" x 120" Cover	Detail Rev.
--	-------------

Part Number / Numéro Pièce: 1412BTSSCU10405DTC	Rev. 0	14 / 18
---	---------------	---------

Qty	Part Name	Rev	Description
2	1412BTSSCU10405DTG	0	1412BTSSCU 26" x 120" Cover Gasket
8	STK-K-09850	6	5412 ESS Hinge with 2 Captive Hinge Pins
2	STK-Q-16095	0	M6 x 16mm Stainless Steel Ground Stud
1	STK-S-00100	0	3.5" x 2" Silver Milar Flexcon Sticker
1	1412BTSSCU10405DTC-P	0	1412BTSSCU 26" x 60" Left Cover Part
1	1412BTSSCU10405DTF-P	0	1412BTSSCU 26" x 120" Right Cover Part
6	880 SCQ4-SLSS6	7	5412 ESS 1/4 Turn Lock
Parts List			

This drawing is confidential and must not be reproduced or used without the consent of EXM

Ce dessin est confidentiel et ne doit pas être reproduit ou utilisé sans le consentement de EXM



TOP



FRONT

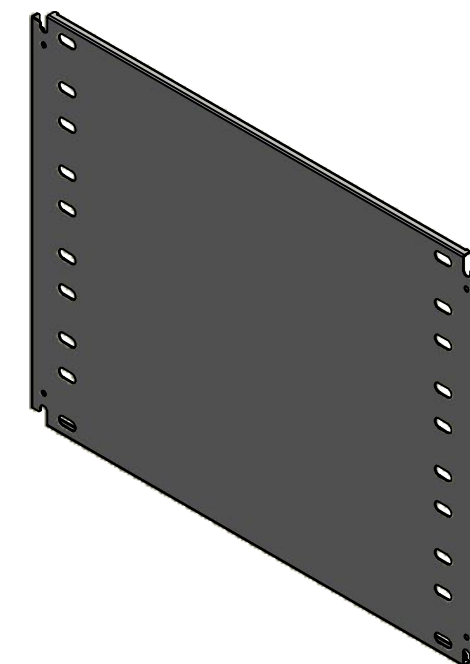
24.625
24.207



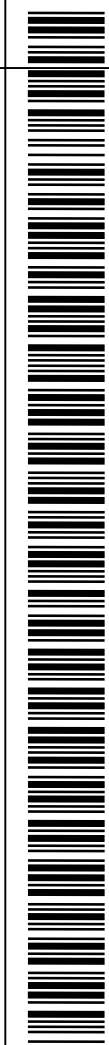
RIGHT

0.418
0.000

No.	Revisions	Date	By/Par



Isometric View



Tél: (450) 979-4373
Fax: (450) 979-4626
www.exmweb.com

Flatness
Aplatissement
Max 3.0mm
Projection

Customer Client	Date
Drawn By / Dessiné Par: BoxCad: BoxCad	Date: 26-Oct-22
Material / Matière: 14 Ga Cold Rolled A1008 CS Type B (1.7mm)	

Color / Couleur: White RAL9003	Finish / Fini: Smooth
--------------------------------	-----------------------

Description: 1412BTSSCU 24.625" x 31" Left Inner Panel	Detail Rev.
--	-------------

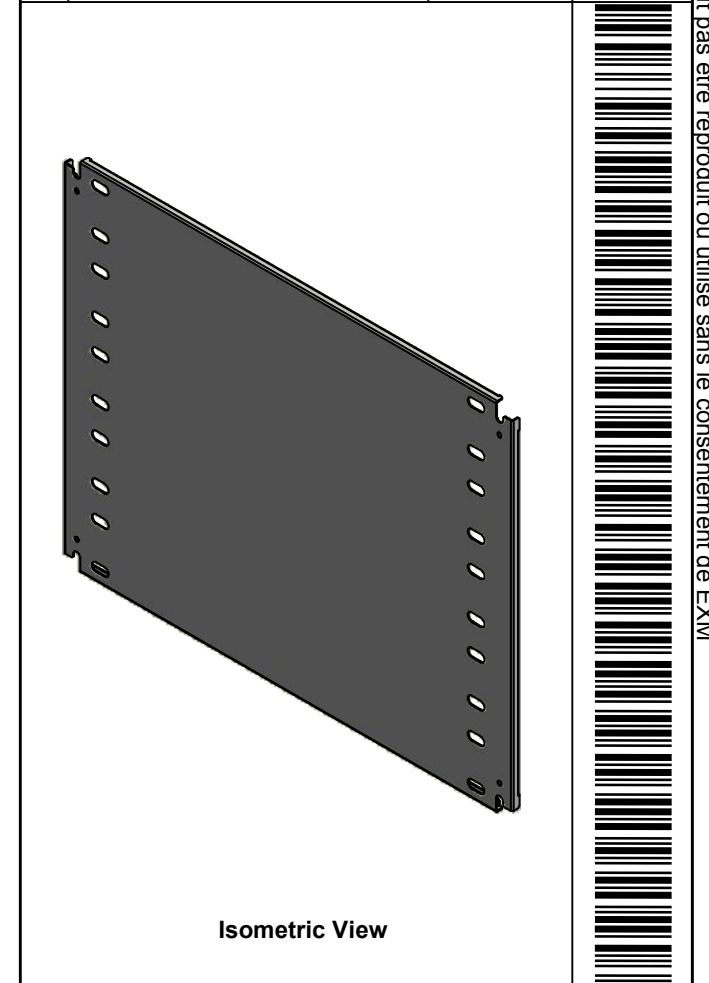
Part Number / Numéro Pièce: 1412BTSSCU10405DTIP1	Rev. 0	15 / 18
--	--------	---------

SEE BILL OF MATERIAL ON LAST PAGE

This drawing is confidential and must not be reproduced or used without the consent of EXM


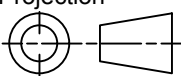
Ce dessin est confidentiel et ne doit pas être reproduit ou utilisé sans le consentement de EXM

No.	Revisions	Date	By/Par



Isometric View

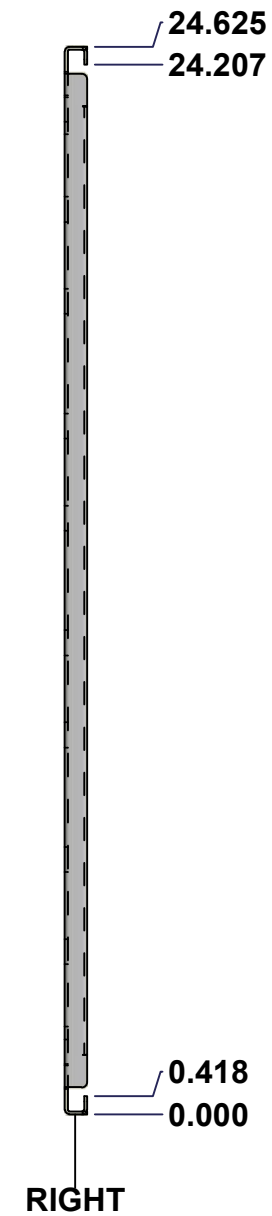
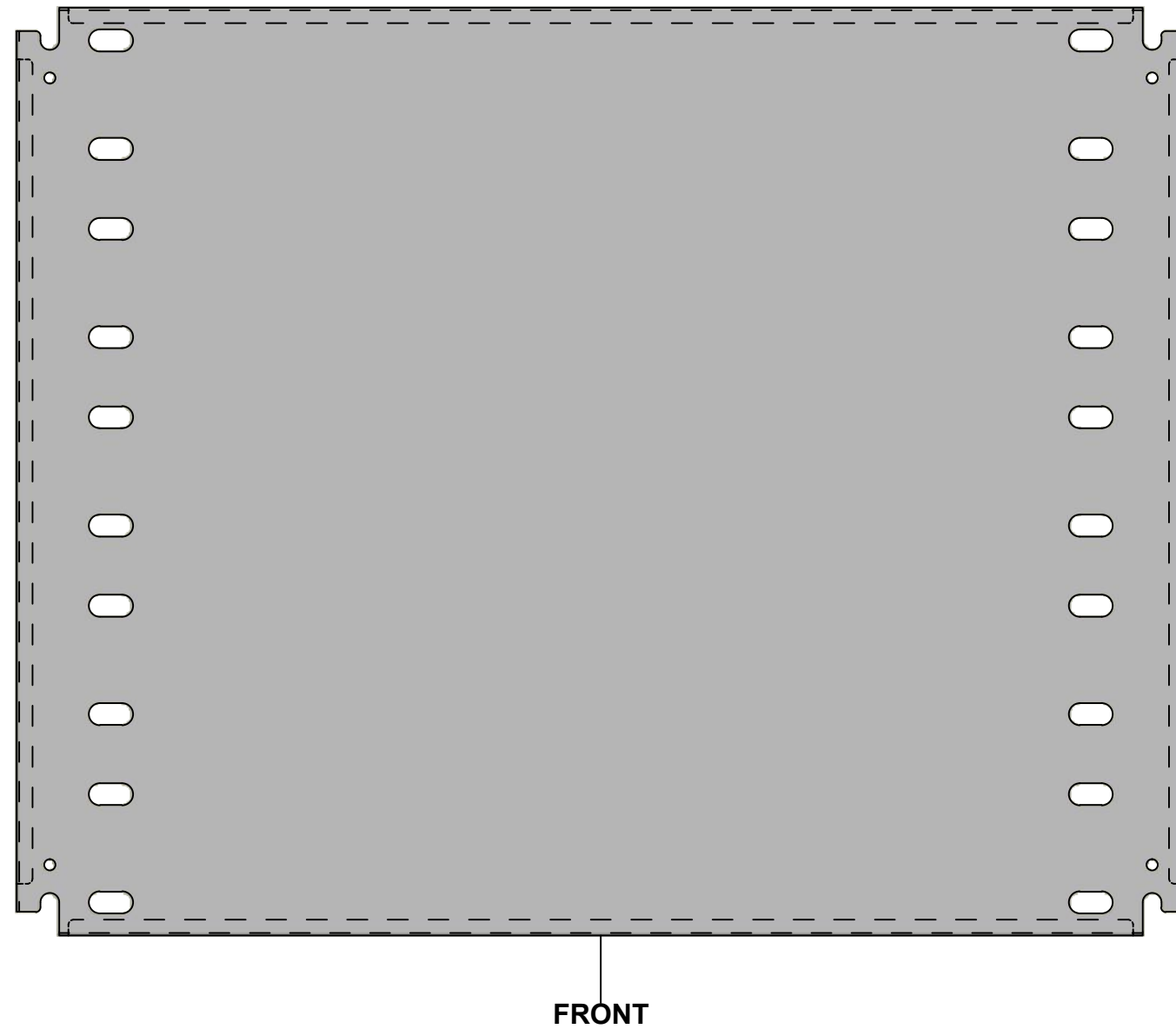
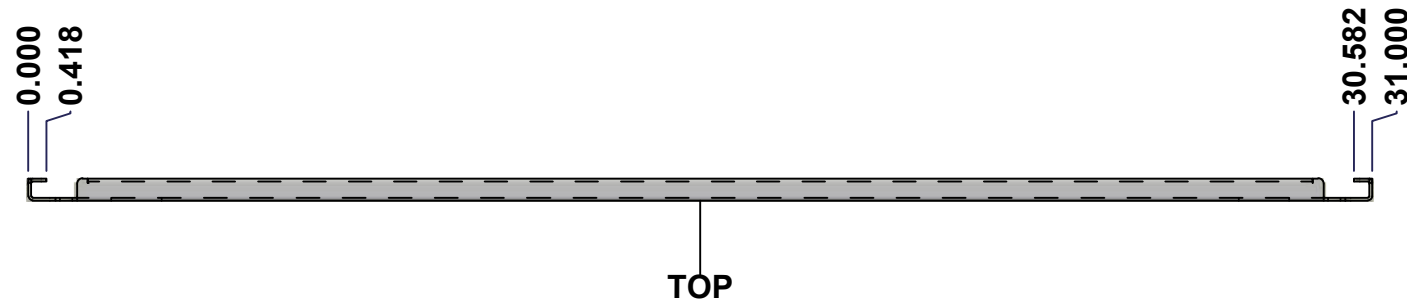


 Tél: (450) 979-4373 Fax: (450) 979-4626 www.exmweb.com		Flatness Aplatissement Max 3.0mm Projection 
Customer Client	Date	
Drawn By Dessiné Par	BoxCad: BoxCad	Date 26-Oct-22
Material Matière	14 Ga Cold Rolled A1008 CS Type B (1.7mm)	
Color Couleur	White RAL9003	Finish Fini Smooth
Description		Detail Rev.
1412BTSSCU 24.625" x 31" Left Inner Panel		
Part Number Numéro Pièce	Rev.	16
1412BTSSCU10405DTIP1	0	18

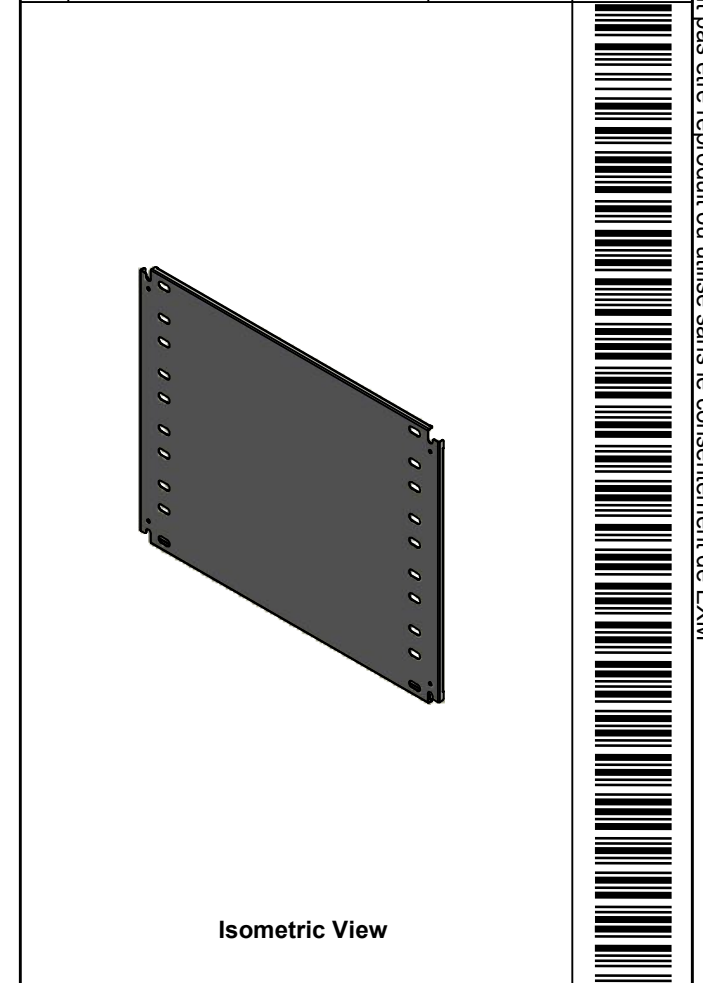
Qty	Part Number	Rev	Description
1	STK-P-02401S	0	Powder Paint (White / Smooth)
1	1412BTSSCU10405DTIP1-P	0	1412BTSSCU 24.625" x 120" Left Inner Panel Part
Parts List			


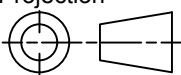
This drawing is confidential and must not be reproduced or used without the consent of EXM

Ce dessin est confidentiel et ne doit pas être reproduit ou utilisé sans le consentement de EXM



No.	Revisions	Date	By/Par



 Tél: (450) 979-4373 Fax: (450) 979-4626 www.exmweb.com		Flatness Aplatissement Max 3.0mm Projection 
Customer Client	Date	
Drawn By Dessiné Par	BoxCad: BoxCad	Date 26-Oct-22
Material Matière	14 Ga Cold Rolled A1008 CS Type B (1.7mm)	
Color Couleur	White RAL9003	Finish Fini Smooth
Description 1412BTSSCU 24.625" x 31" Right Inner Panel		Detail Rev.
Part Number Numéro Pièce	Rev. 0	17 18

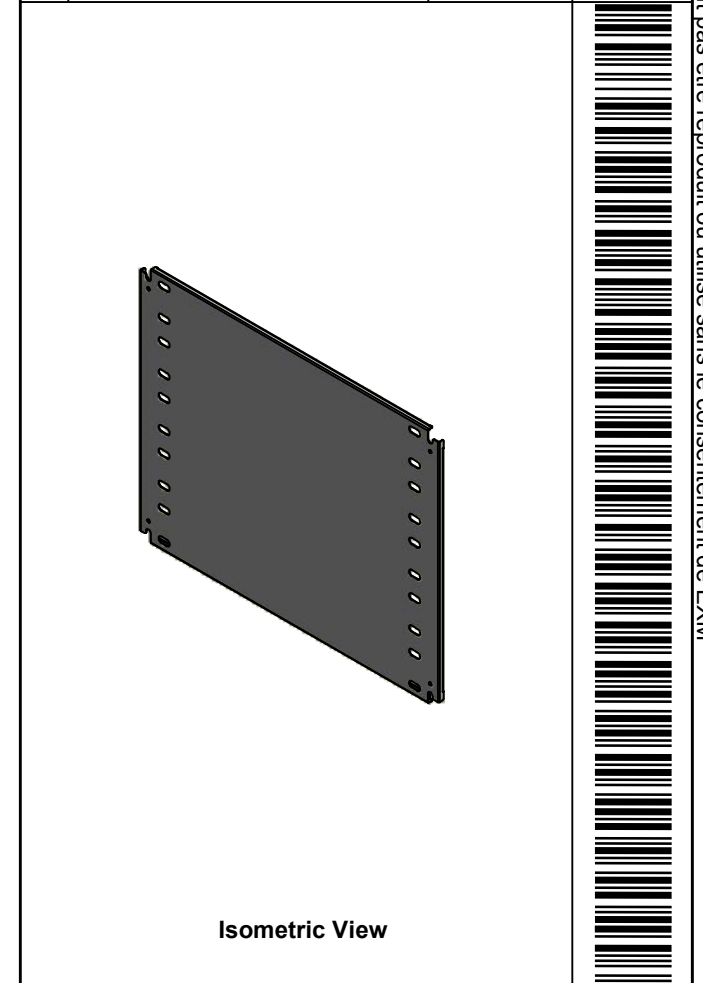
SEE BILL OF MATERIAL ON LAST PAGE


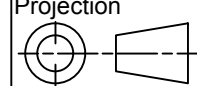
1412BTSSCU10405DTIP2

This drawing is confidential and must not be reproduced or used without the consent of EXM

Ce dessin est confidentiel et ne doit pas être reproduit ou utilisé sans le consentement de EXM

No.	Revisions	Date	By/Par



 Tél: (450) 979-4373 Fax: (450) 979-4626 www.exmweb.com		Flatness Aplatissement	Max 3.0mm
		Projection	
Customer Client	Date		
Drawn By Dessiné Par	BoxCad: BoxCad	Date	26-Oct-22
Material Matière	14 Ga Cold Rolled A1008 CS Type B (1.7mm)		
Color Couleur	White RAL9003	Finish Fini	Smooth
Description		Detail Rev.	
1412BTSSCU 24.625" x 31" Right Inner Panel			
Part Number Numéro Pièce	Rev.	18	
1412BTSSCU10405DTIP2	0	18	

Qty	Part Number	Rev	Description
1	STK-P-02401S	0	Powder Paint (White / Smooth)
1	1412BTSSCU10405DTIP2-P	0	1412BTSSCU 24.625" x 120" Right Inner Panel Part
Parts List			