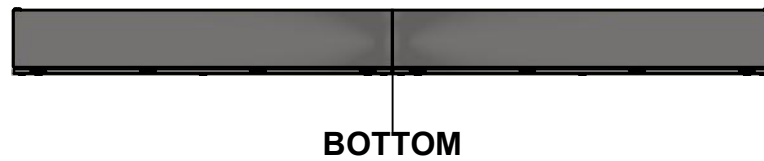
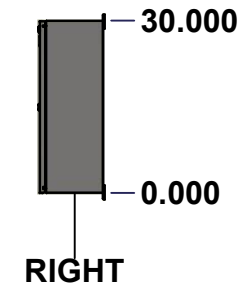
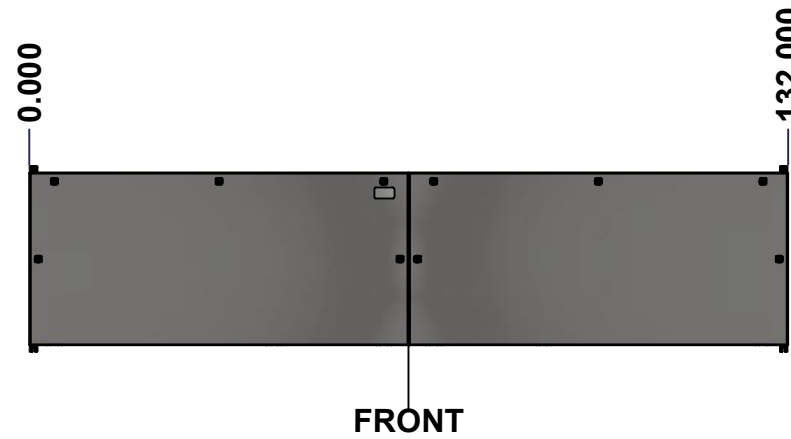
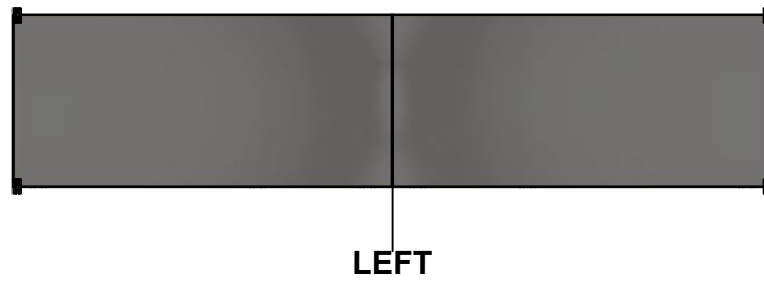
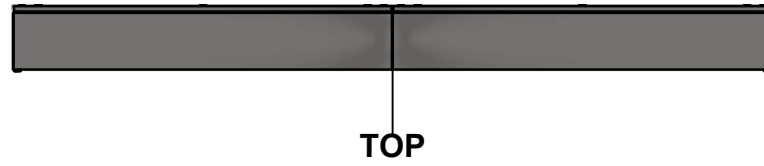
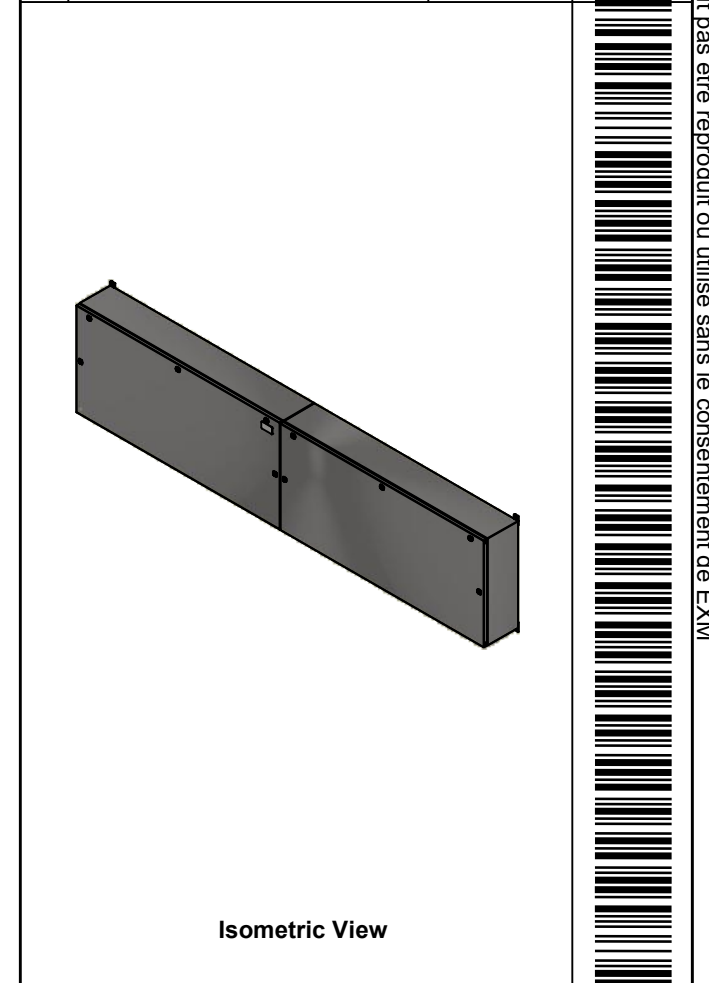



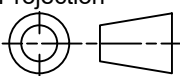
This drawing is confidential and must not be reproduced or used without the consent of EXM

Ce dessin est confidentiel et ne doit pas être reproduit ou utilisé sans le consentement de EXM



| No. | Revisions | Date | By/Par |
|-----|-----------|------|--------|
| | | | |
| | | | |
| | | | |
| | | | |
| | | | |



| | | |
|--|-----------------------------------|---|
|  Tél: (450) 979-4373 Fax: (450) 979-4626 www.exmweb.com | | Flatness Aplatissement Max 3.0mm Projection  |
| Customer Client | Date | |
| Drawn By Dessiné Par | BoxCad: BoxCad | Date 2022-11-04 |
| Material Matière | 14 Ga Stainless Steel 304 (1.7mm) | |
| Color Couleur | Unpainted | Finish Fini Brushed |
| Description 1412BTSSCU 1200A - 4Wires x 132" Assembly | | Detail Rev. |
| Part Number Numéro Pièce | Rev. 0 | 1 / 17 |

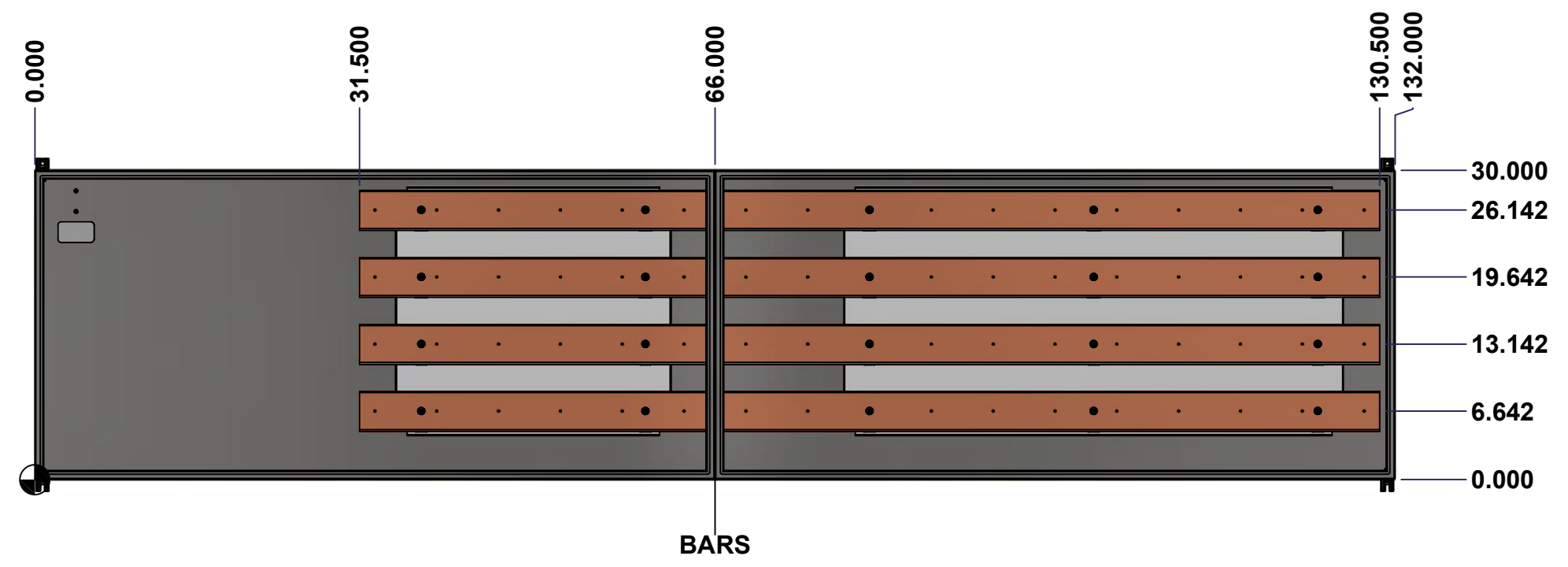
SEE BILL OF MATERIAL ON LAST PAGE

1412BTSSCU111204DT

This drawing is confidential and must not be reproduced or used without the consent of Eurobox

STANDARD FEATURES ARE NOT LISTED IN THIS HOLE TABLE

Ce dessin est confidentiel et ne doit pas être reproduit ou utilisé sans le consentement de Eurobox



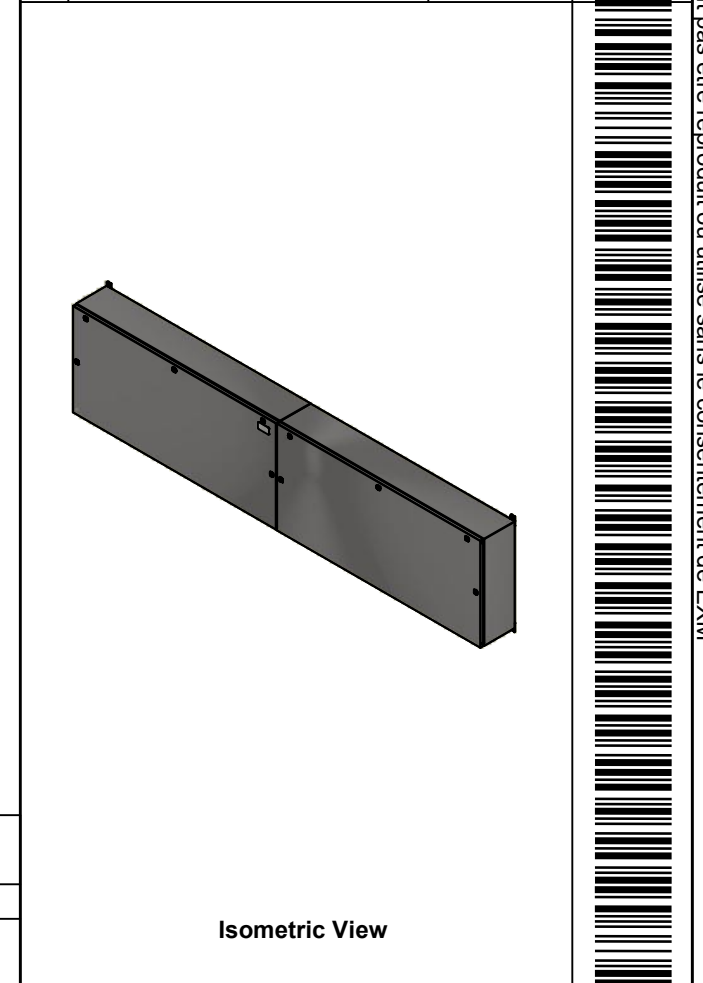
| | | | |
|--|---|--|--------------------|
| | Description 1412BTSSCU 1200A - 4Wires x 132" Assembly | | Status (NULL) |
| | Part Number Numéro Pièce 1412BTSSCU111204DT | | Rev. 2 0 |

This drawing is confidential and must not be reproduced or used without the consent of EXM

Ce dessin est confidentiel et ne doit pas être reproduit ou utilisé sans le consentement de EXM

| NOTE | |
|------|--|
| ITEM | DESCRIPTION |
| 1 | NEMA 4X Enclosure |
| 2 | C/W Standard ground studs on box and cover |
| 3 | W/O Standard door stiffener |
| 4 | C/W Special inner panel (Sold separately) |
| 5 | C/W Standard inner panel mounting studs |

| No. | Revisions | Date | By/Par |
|-----|-----------|------|--------|
| | | | |
| | | | |
| | | | |
| | | | |
| | | | |
| | | | |



| | | | |
|------------|---------------------------|-----|--|
| 8 | STK-Q-04051-07 | 8 | M6 x 7mm Stainless Steel Hexagon Socket Head Machine Screw with Nyseal |
| 1 | 885 ESMF2 | 0 | 885 ESMF2 Stainless Steel Mounting Feet Kit |
| 1 | 1412BTSSCU111204DTIP 2 | 0 | 1412BTSSCU 24.125" x 48.5" Right Inner Panel |
| 1 | 1412BTSSCU111204DTB AR1-P | 0 | Rounded Edge Copper Bar 5/16" x 4" |
| 1 | 1412BTSSCU111204DTB AR2-P | 0 | Rounded Edge Copper Bar 5/16" x 4" |
| 1 | 1412BTSSCU111204DTB AR3-P | 0 | Rounded Edge Copper Bar 5/16" x 4" |
| 1 | 1412BTSSCU111204DTB AR4-P | 0 | Rounded Edge Copper Bar 5/16" x 4" |
| 1 | 1412BTSSCU111204DTIP 1 | 0 | 1412BTSSCU 24.125" x 26.75" Left Inner Panel |
| 20 | STK-A-67400 | 0 | Buss Bar Insulator Kit |
| 1 | STK-K-01800 | 5 | 5412 ES Accessory Kit |
| 30 | STK-Q-07310 | 2 | Flange Lock Nut M8 |
| 10 | STK-Q-07610 | 8 | M8 Plastic Spacer 22.2mm |
| 1 | 1412BTSSCU111204DTB | 0 | 1412BTSSCU 30" x 132" x 10" Body |
| 1 | 1412BTSSCU111204DTC | 0 | 1412BTSSCU 30" x 132" Cover |
| Qty | Part Number | Rev | Description |
| Parts List | | | |

| PACKING | | |
|-----------------------|-----|--|
| ITEM | QTY | DESCRIPTION |
| Cardboard sleeve | 2 | Top and Bottom |
| Cardboard strip | 2 | Between back of enclosure and inner panel |
| Plastic bag | 1 | To protect cover surface and inside gasket |
| Cardboard corner | 4 | To reinforced for the plastic strap tightening |
| Plastic strap - Black | 2 | To Squeeze 2 cardboard sleeve together |
| Packaging label | 3 | White label with PN |
| Plastic strap- Green | 2 | To secure the enclosure to the wood pallet |
| Wood Pallet | 1 | 2" deeper and 3" larger than enclosure size |

Tél: (450) 979-4373
Fax: (450) 979-4626
www.exmweb.com

Flatness
Aplatissement
Max 3.0mm

Projection

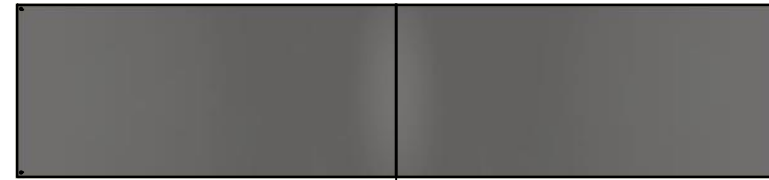
| | |
|---|-----------------------------------|
| Customer Client | Date |
| Drawn By Dessiné Par | Date 2022-11-04 |
| Material Matière | 14 Ga Stainless Steel 304 (1.7mm) |
| Color Couleur | Unpainted Finish Finis |
| Description | Detail Rev. |
| 1412BTSSCU 1200A - 4Wires x 132" Assembly | |
| Part Number Numéro Pièce | Rev. 3 |
| 1412BTSSCU111204DT | 0 |

This drawing is confidential and must not be reproduced or used without the consent of EXM

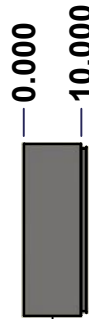
Ce dessin est confidentiel et ne doit pas être reproduit ou utilisé sans le consentement de EXM



TOP



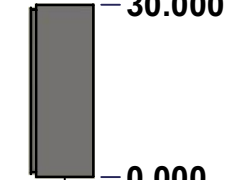
BACK



LEFT



FRONT

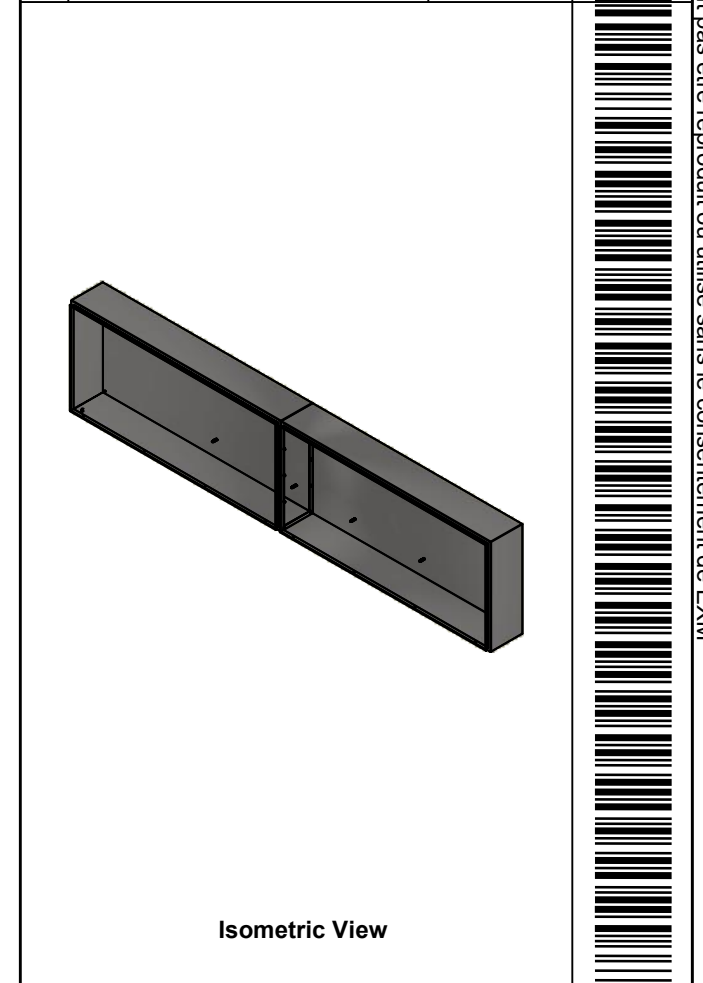


RIGHT




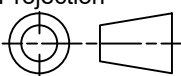
BOTTOM

| No. | Revisions | Date | By/Par |
|-----|-----------|------|--------|
| | | | |
| | | | |
| | | | |
| | | | |
| | | | |



Isometric View



| | | |
|--|-----------------------------------|---|
|  Tél: (450) 979-4373 Fax: (450) 979-4626 www.exmweb.com | | Flatness Aplatissement Max 3.0mm Projection  |
| Customer Client | Date | |
| Drawn By Dessiné Par | BoxCad: BoxCad | Date 2022-11-04 |
| Material Matière | 14 Ga Stainless Steel 304 (1.7mm) | |
| Color Couleur | Unpainted | Finish Fini Brushed |
| Description | Detail Rev. | |
| 1412BTSSCU 30" x 132" x 10" Body | | |
| Part Number Numéro Pièce | Rev. | 4 |
| SEE BILL OF MATERIAL ON LAST PAGE | 1412BTSSCU111204DTB | 0 |

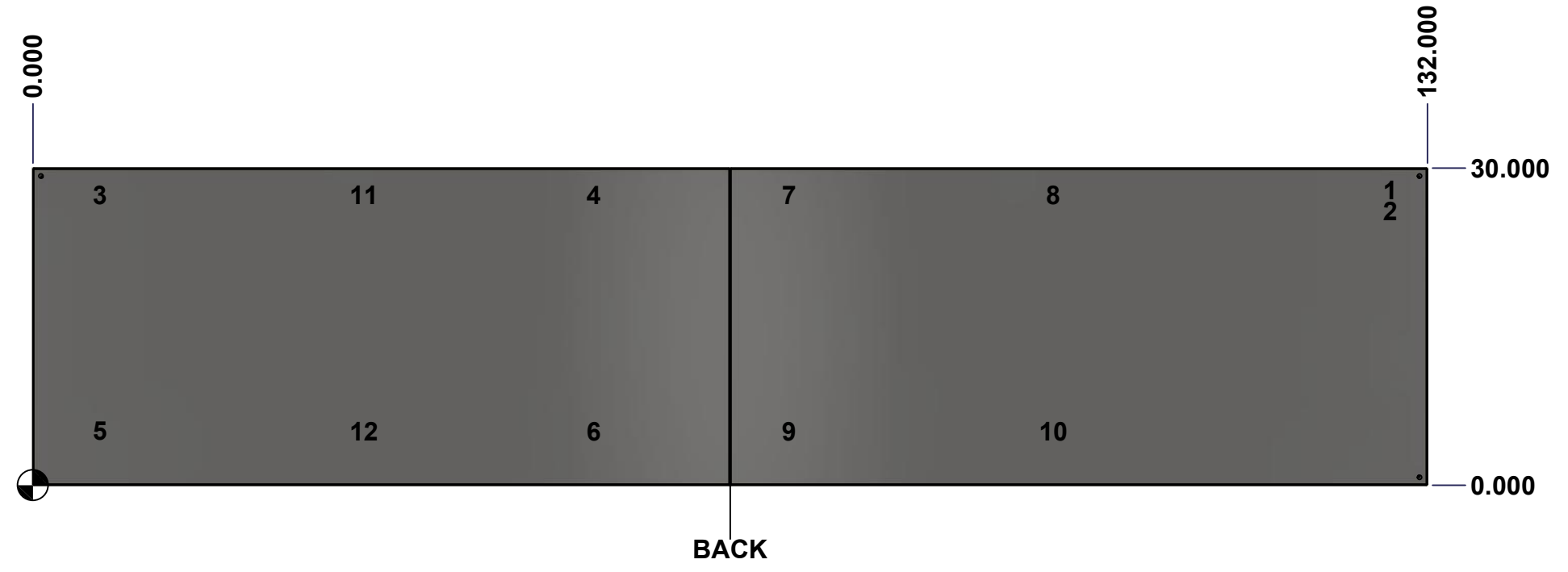
This drawing is confidential and must not be reproduced or used without the consent of Eurobox

Ce dessin est confidentiel et ne doit pas être reproduit ou utilisé sans le consentement de Eurobox

STANDARD FEATURES ARE NOT LISTED IN THIS HOLE TABLE

HOLE TABLE - BACK VIEW (CUSTOM FEATURE ONLY)

| CUT-OUT | XDIM | YDIM | DESCRIPTION |
|---------|---------|--------|-----------------------------|
| 1 | 128.000 | 28.000 | GND STUD M8 x 35mm (Inside) |
| 2 | 128.000 | 26.000 | GND STUD M8 x 35mm (Inside) |
| 3 | 5.875 | 27.500 | IP STUD M8 x 35mm (Inside) |
| 4 | 52.625 | 27.500 | IP STUD M8 x 35mm (Inside) |
| 5 | 5.875 | 5.125 | IP STUD M8 x 35mm (Inside) |
| 6 | 52.625 | 5.125 | IP STUD M8 x 35mm (Inside) |
| 7 | 71.125 | 27.500 | IP STUD M8 x 35mm (Inside) |
| 8 | 96.125 | 27.500 | IP STUD M8 x 35mm (Inside) |
| 9 | 71.125 | 5.125 | IP STUD M8 x 35mm (Inside) |
| 10 | 96.125 | 5.125 | IP STUD M8 x 35mm (Inside) |
| 11 | 30.875 | 27.500 | IP STUD M8 x 35mm (Inside) |
| 12 | 30.875 | 5.125 | IP STUD M8 x 35mm (Inside) |

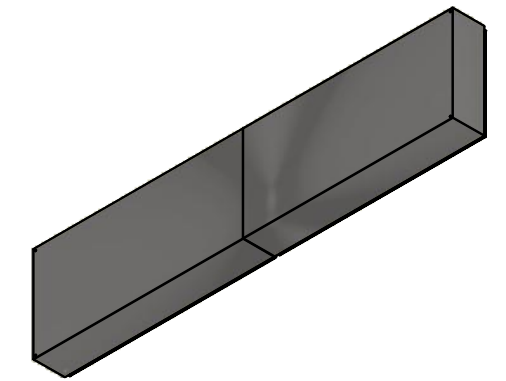


| | | |
|--|----------------------------------|--------------|
| | Description | Status |
| | 1412BTSSCU 30" x 132" x 10" Body | (NULL) |
| | Part Number Numéro Pièce | Rev. |
| | 1412BTSSCU111204DTB | 0 / 5 |
| | | 17 |

This drawing is confidential and must not be reproduced or used without the consent of EXM

Ce dessin est confidentiel et ne doit pas être reproduit ou utilisé sans le consentement de EXM


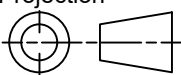
| No. | Revisions | Date | By/Par |
|-----|-----------|------|--------|
| | | | |
| | | | |
| | | | |
| | | | |
| | | | |



Isometric View



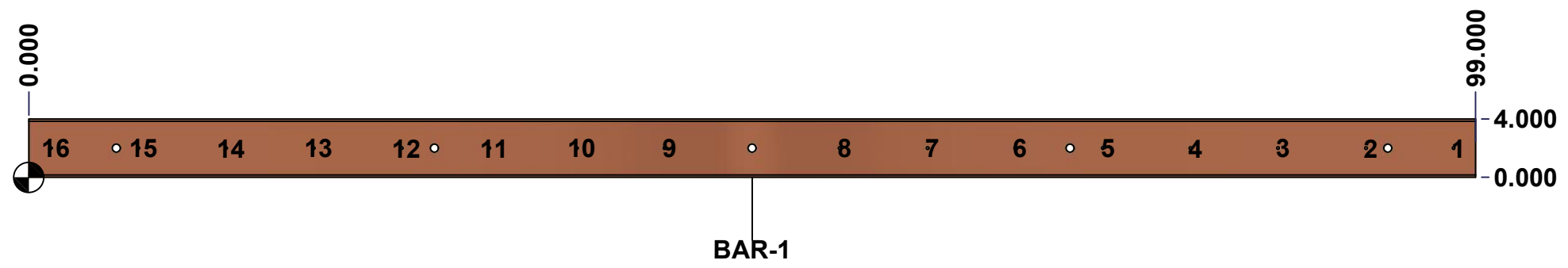
| Qty | Part Number | Rev | Description |
|------------|-----------------------|-----|---|
| 1 | 1412BTSSCU111204DTB-P | 0 | 1412BTSSCU 30" x 132" x 10" Left Body Part |
| 1 | 1412BTSSCU111204DTE-P | 0 | 1412BTSSCU 30" x 132" x 10" Right Body Part |
| 1 | STK-G-00701 | 0 | 1" x 1/4" Self-Adhesive Neoprene Gasket |
| 10 | STK-Q-00260 | 1 | M6 x 13mm Carriage Bolt |
| 10 | STK-Q-07220 | 1 | M6 Nylon Insert Lock Nut |
| 12 | STK-Q-16020 | 1 | Stud M8 x 35mm Stainless Steel |
| 2 | STK-Q-16095 | 0 | M6 x 16mm Stainless Steel Ground Stud |
| 1 | STK-S-00100 | 0 | 3.5" x 2" Silver Milar Flexcon Sticker |
| Parts List | | | |

| | | |
|--|------------------------|---|
|  Tél: (450) 979-4373 Fax: (450) 979-4626 www.exmweb.com | | Flatness Aplatissement Max 3.0mm |
| Customer Client Drawn By / Dessiné Par: BoxCad: BoxCad | | Projection  |
| Material / Matière: 14 Ga Stainless Steel 304 (1.7mm) | | Date: 2022-11-04 |
| Color / Couleur: Unpainted | Finish / Fini: Brushed | |
| Description: 1412BTSSCU 30" x 132" x 10" Body | | Detail Rev. |
| Part Number / Numéro Pièce: 1412BTSSCU111204DTB | | Rev. 0 |

This drawing is confidential and must not be reproduced or used without the consent of Eurobex

Ce dessin est confidentiel et ne doit pas être reproduit ou utilisé sans le consentement de Eurobex

| STANDARD FEATURES ARE NOT LISTED IN THIS HOLE TABLE | | | |
|---|--------|-------|------------------------------|
| HOLE TABLE - FRONT VIEW (CUSTOM FEATURE ONLY) | | | |
| CUT-OUT | XDIM | YDIM | DESCRIPTION |
| 1 | 97.500 | 2.000 | RND Ø0.201 THREAD 1/4-20 UNC |
| 2 | 91.500 | 2.000 | RND Ø0.201 THREAD 1/4-20 UNC |
| 3 | 85.500 | 2.000 | RND Ø0.201 THREAD 1/4-20 UNC |
| 4 | 79.500 | 2.000 | RND Ø0.201 THREAD 1/4-20 UNC |
| 5 | 73.500 | 2.000 | RND Ø0.201 THREAD 1/4-20 UNC |
| 6 | 67.500 | 2.000 | RND Ø0.201 THREAD 1/4-20 UNC |
| 7 | 61.500 | 2.000 | RND Ø0.201 THREAD 1/4-20 UNC |
| 8 | 55.500 | 2.000 | RND Ø0.201 THREAD 1/4-20 UNC |
| 9 | 43.500 | 2.000 | RND Ø0.201 THREAD 1/4-20 UNC |
| 10 | 37.500 | 2.000 | RND Ø0.201 THREAD 1/4-20 UNC |
| 11 | 31.500 | 2.000 | RND Ø0.201 THREAD 1/4-20 UNC |
| 12 | 25.500 | 2.000 | RND Ø0.201 THREAD 1/4-20 UNC |
| 13 | 19.500 | 2.000 | RND Ø0.201 THREAD 1/4-20 UNC |
| 14 | 13.500 | 2.000 | RND Ø0.201 THREAD 1/4-20 UNC |
| 15 | 7.500 | 2.000 | RND Ø0.201 THREAD 1/4-20 UNC |
| 16 | 1.500 | 2.000 | RND Ø0.201 THREAD 1/4-20 UNC |

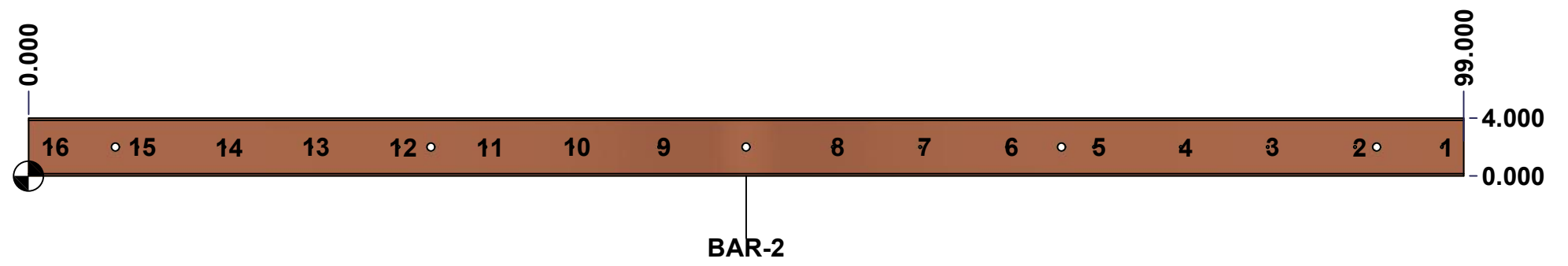


| | | |
|--|------------------------------------|--------|
| | Description | Status |
| | Rounded Edge Copper Bar 5/16" x 4" | (NULL) |
| | Part Number Numéro Pièce | Rev. |
| | 1412BTSSCU111204DTBAR1-P0 | 7 |
| | | 17 |

This drawing is confidential and must not be reproduced or used without the consent of Eurobex

Ce dessin est confidentiel et ne doit pas être reproduit ou utilisé sans le consentement de Eurobex

| STANDARD FEATURES ARE NOT LISTED IN THIS HOLE TABLE | | | |
|---|--------|-------|------------------------------|
| HOLE TABLE - FRONT VIEW (CUSTOM FEATURE ONLY) | | | |
| CUT-OUT | XDIM | YDIM | DESCRIPTION |
| 1 | 97.500 | 2.000 | RND Ø0.201 THREAD 1/4-20 UNC |
| 2 | 91.500 | 2.000 | RND Ø0.201 THREAD 1/4-20 UNC |
| 3 | 85.500 | 2.000 | RND Ø0.201 THREAD 1/4-20 UNC |
| 4 | 79.500 | 2.000 | RND Ø0.201 THREAD 1/4-20 UNC |
| 5 | 73.500 | 2.000 | RND Ø0.201 THREAD 1/4-20 UNC |
| 6 | 67.500 | 2.000 | RND Ø0.201 THREAD 1/4-20 UNC |
| 7 | 61.500 | 2.000 | RND Ø0.201 THREAD 1/4-20 UNC |
| 8 | 55.500 | 2.000 | RND Ø0.201 THREAD 1/4-20 UNC |
| 9 | 43.500 | 2.000 | RND Ø0.201 THREAD 1/4-20 UNC |
| 10 | 37.500 | 2.000 | RND Ø0.201 THREAD 1/4-20 UNC |
| 11 | 31.500 | 2.000 | RND Ø0.201 THREAD 1/4-20 UNC |
| 12 | 25.500 | 2.000 | RND Ø0.201 THREAD 1/4-20 UNC |
| 13 | 19.500 | 2.000 | RND Ø0.201 THREAD 1/4-20 UNC |
| 14 | 13.500 | 2.000 | RND Ø0.201 THREAD 1/4-20 UNC |
| 15 | 7.500 | 2.000 | RND Ø0.201 THREAD 1/4-20 UNC |
| 16 | 1.500 | 2.000 | RND Ø0.201 THREAD 1/4-20 UNC |

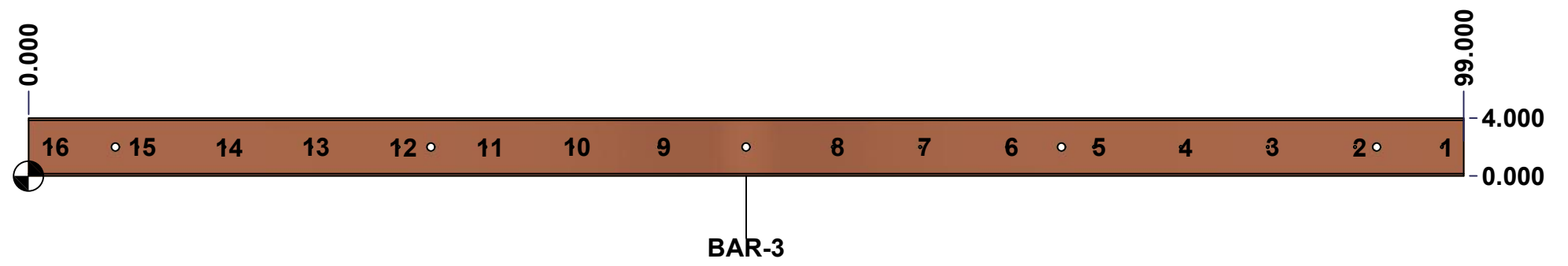


| | | |
|--|------------------------------------|--------|
| | Description | Status |
| | Rounded Edge Copper Bar 5/16" x 4" | (NULL) |
| | Part Number Numéro Pièce | Rev. |
| | 1412BTSSCU111204DTBAR2-P0 | 8 |
| | | 17 |

This drawing is confidential and must not be reproduced or used without the consent of Eurobex

Ce dessin est confidentiel et ne doit pas être reproduit ou utilisé sans le consentement de Eurobex

| STANDARD FEATURES ARE NOT LISTED IN THIS HOLE TABLE | | | |
|---|--------|-------|------------------------------|
| HOLE TABLE - FRONT VIEW (CUSTOM FEATURE ONLY) | | | |
| CUT-OUT | XDIM | YDIM | DESCRIPTION |
| 1 | 97.500 | 2.000 | RND Ø0.201 THREAD 1/4-20 UNC |
| 2 | 91.500 | 2.000 | RND Ø0.201 THREAD 1/4-20 UNC |
| 3 | 85.500 | 2.000 | RND Ø0.201 THREAD 1/4-20 UNC |
| 4 | 79.500 | 2.000 | RND Ø0.201 THREAD 1/4-20 UNC |
| 5 | 73.500 | 2.000 | RND Ø0.201 THREAD 1/4-20 UNC |
| 6 | 67.500 | 2.000 | RND Ø0.201 THREAD 1/4-20 UNC |
| 7 | 61.500 | 2.000 | RND Ø0.201 THREAD 1/4-20 UNC |
| 8 | 55.500 | 2.000 | RND Ø0.201 THREAD 1/4-20 UNC |
| 9 | 43.500 | 2.000 | RND Ø0.201 THREAD 1/4-20 UNC |
| 10 | 37.500 | 2.000 | RND Ø0.201 THREAD 1/4-20 UNC |
| 11 | 31.500 | 2.000 | RND Ø0.201 THREAD 1/4-20 UNC |
| 12 | 25.500 | 2.000 | RND Ø0.201 THREAD 1/4-20 UNC |
| 13 | 19.500 | 2.000 | RND Ø0.201 THREAD 1/4-20 UNC |
| 14 | 13.500 | 2.000 | RND Ø0.201 THREAD 1/4-20 UNC |
| 15 | 7.500 | 2.000 | RND Ø0.201 THREAD 1/4-20 UNC |
| 16 | 1.500 | 2.000 | RND Ø0.201 THREAD 1/4-20 UNC |

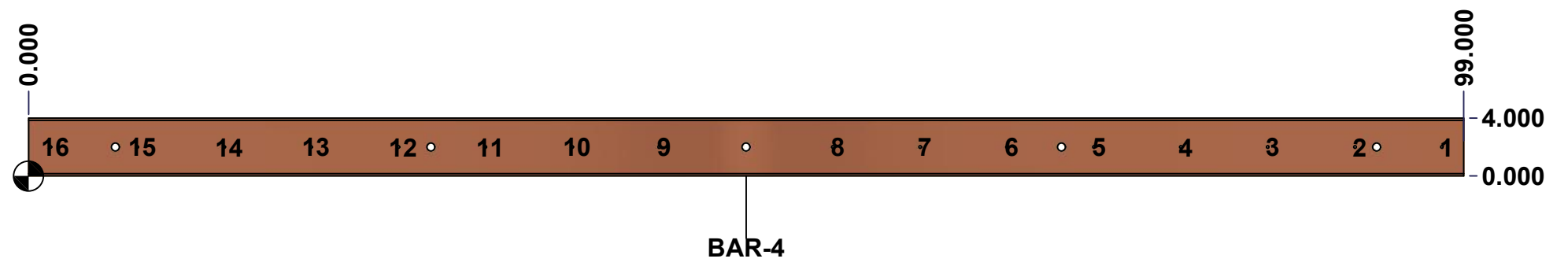


| | | |
|--|------------------------------------|--------|
| | Description | Status |
| | Rounded Edge Copper Bar 5/16" x 4" | (NULL) |
| | Part Number Numéro Pièce | Rev. |
| | 1412BTSSCU111204DTBAR3-P0 | 9 |
| | | 17 |

This drawing is confidential and must not be reproduced or used without the consent of Eurobex

Ce dessin est confidentiel et ne doit pas être reproduit ou utilisé sans le consentement de Eurobex

| STANDARD FEATURES ARE NOT LISTED IN THIS HOLE TABLE | | | |
|---|--------|-------|------------------------------|
| HOLE TABLE - FRONT VIEW (CUSTOM FEATURE ONLY) | | | |
| CUT-OUT | XDIM | YDIM | DESCRIPTION |
| 1 | 97.500 | 2.000 | RND Ø0.201 THREAD 1/4-20 UNC |
| 2 | 91.500 | 2.000 | RND Ø0.201 THREAD 1/4-20 UNC |
| 3 | 85.500 | 2.000 | RND Ø0.201 THREAD 1/4-20 UNC |
| 4 | 79.500 | 2.000 | RND Ø0.201 THREAD 1/4-20 UNC |
| 5 | 73.500 | 2.000 | RND Ø0.201 THREAD 1/4-20 UNC |
| 6 | 67.500 | 2.000 | RND Ø0.201 THREAD 1/4-20 UNC |
| 7 | 61.500 | 2.000 | RND Ø0.201 THREAD 1/4-20 UNC |
| 8 | 55.500 | 2.000 | RND Ø0.201 THREAD 1/4-20 UNC |
| 9 | 43.500 | 2.000 | RND Ø0.201 THREAD 1/4-20 UNC |
| 10 | 37.500 | 2.000 | RND Ø0.201 THREAD 1/4-20 UNC |
| 11 | 31.500 | 2.000 | RND Ø0.201 THREAD 1/4-20 UNC |
| 12 | 25.500 | 2.000 | RND Ø0.201 THREAD 1/4-20 UNC |
| 13 | 19.500 | 2.000 | RND Ø0.201 THREAD 1/4-20 UNC |
| 14 | 13.500 | 2.000 | RND Ø0.201 THREAD 1/4-20 UNC |
| 15 | 7.500 | 2.000 | RND Ø0.201 THREAD 1/4-20 UNC |
| 16 | 1.500 | 2.000 | RND Ø0.201 THREAD 1/4-20 UNC |



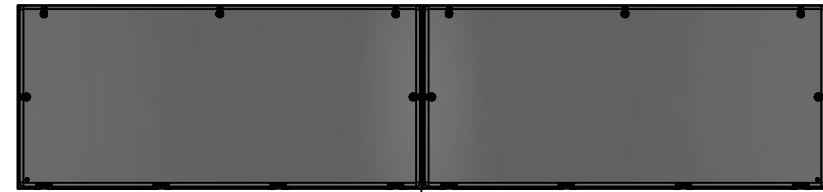
| | | | |
|--|------------------------------------|--------|----|
| | Description | Status | |
| | Rounded Edge Copper Bar 5/16" x 4" | (NULL) | |
| | Part Number Numéro Pièce | Rev. | 10 |
| | 1412BTSSCU111204DTBAR4-P0 | | 17 |

This drawing is confidential and must not be reproduced or used without the consent of EXM

Ce dessin est confidentiel et ne doit pas être reproduit ou utilisé sans le consentement de EXM



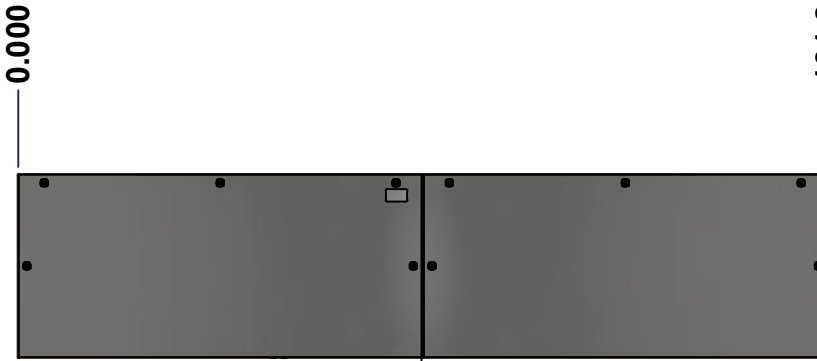
TOP



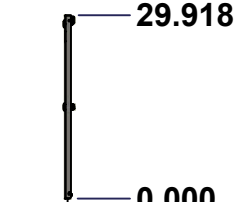
BACK



LEFT



FRONT

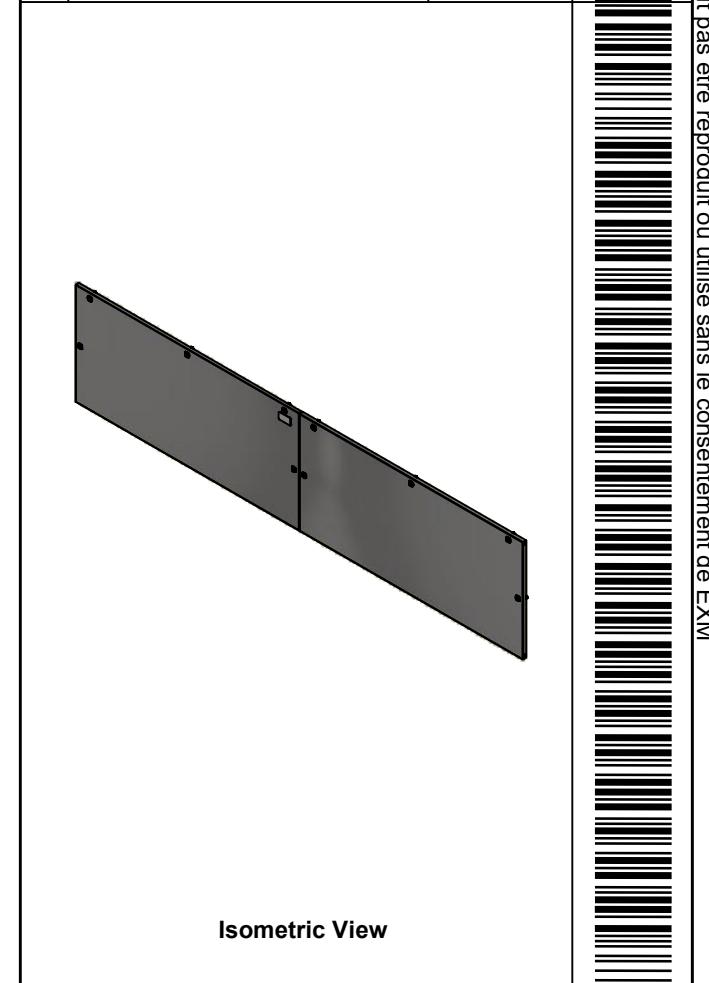



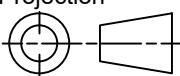
RIGHT



BOTTOM

| No. | Revisions | Date | By/Par |
|-----|-----------|------|--------|
| | | | |
| | | | |
| | | | |
| | | | |
| | | | |



| | | |
|--|-----------------------------------|---|
|  Tél: (450) 979-4373 Fax: (450) 979-4626 www.exmweb.com | | Flatness Aplatissement Max 3.0mm Projection  |
| Customer Client | Date | |
| Drawn By Dessiné Par | BoxCad: BoxCad | Date 2022-11-04 |
| Material Matière | 14 Ga Stainless Steel 304 (1.7mm) | |
| Color Couleur | Unpainted | Finish Fini Brushed |
| Description 1412BTSSCU 30" x 132" Cover | | Detail Rev. |
| Part Number Numéro Pièce | Rev. 0 | 11 / 17 |

SEE BILL OF MATERIAL ON LAST PAGE **1412BTSSCU111204DTC**

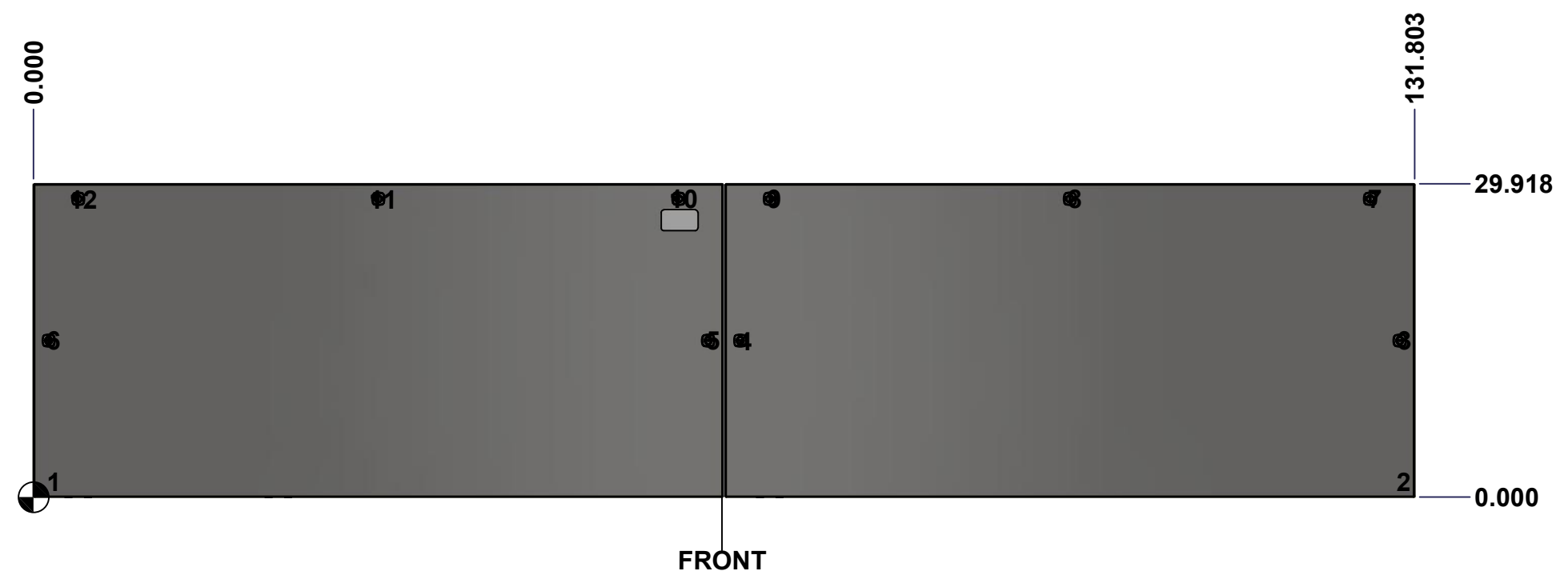
This drawing is confidential and must not be reproduced or used without the consent of Eurobox

Ce dessin est confidentiel et ne doit pas être reproduit ou utilisé sans le consentement de Eurobox

STANDARD FEATURES ARE NOT LISTED IN THIS HOLE TABLE

HOLE TABLE - FRONT VIEW (CUSTOM FEATURE ONLY)

| CUT-OUT | XDIM | YDIM | DESCRIPTION |
|---------|---------|--------|------------------------------|
| 1 | 1.500 | 1.486 | GND STUD M6 x 16mm (Inside) |
| 2 | 130.303 | 1.486 | GND STUD M6 x 16mm (Inside) |
| 3 | 130.379 | 14.959 | LOCK 880 SCQ4-SLSS6 @ 0.0° |
| 4 | 67.424 | 14.959 | LOCK 880 SCQ4-SLSS6 @ 180.0° |
| 5 | 64.379 | 14.959 | LOCK 880 SCQ4-SLSS6 @ 0.0° |
| 6 | 1.424 | 14.959 | LOCK 880 SCQ4-SLSS6 @ 180.0° |
| 7 | 127.553 | 28.494 | LOCK 880 SCQ4-SLSS6 @ 90.0° |
| 8 | 98.902 | 28.494 | LOCK 880 SCQ4-SLSS6 @ 90.0° |
| 9 | 70.250 | 28.494 | LOCK 880 SCQ4-SLSS6 @ 90.0° |
| 10 | 61.553 | 28.494 | LOCK 880 SCQ4-SLSS6 @ 90.0° |
| 11 | 32.902 | 28.494 | LOCK 880 SCQ4-SLSS6 @ 90.0° |
| 12 | 4.250 | 28.494 | LOCK 880 SCQ4-SLSS6 @ 90.0° |

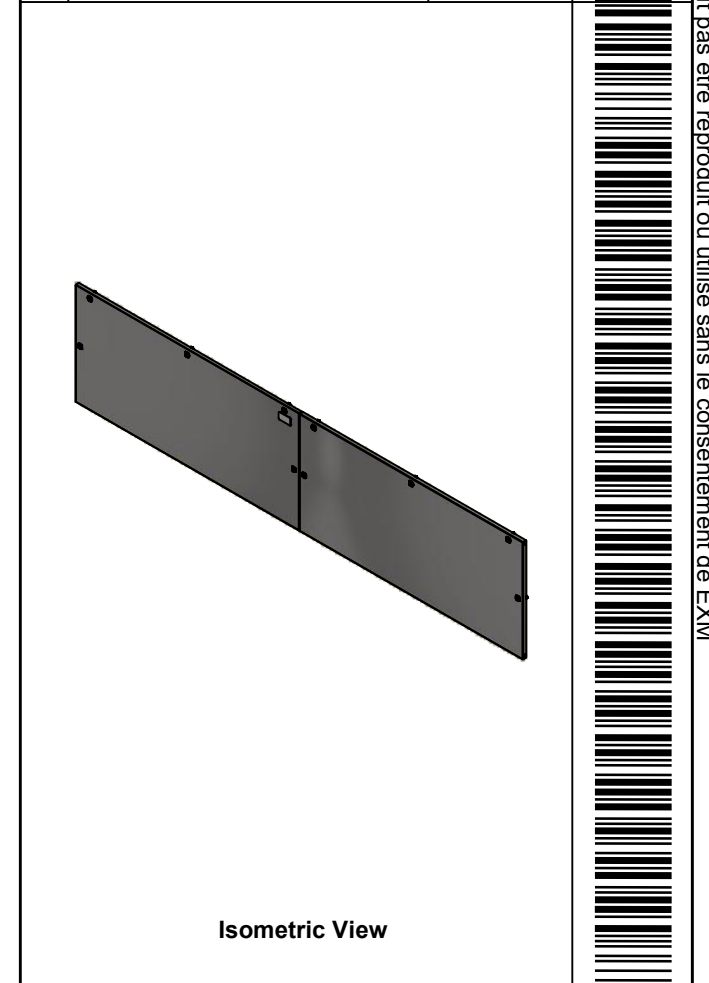


| | | |
|--|-----------------------------|---------------|
| | Description | Status |
| | 1412BTSSCU 30" x 132" Cover | (NULL) |
| | Part Number Numéro Pièce | Rev. |
| | 1412BTSSCU111204DTC | 0 / 12 |
| | | 17 |

This drawing is confidential and must not be reproduced or used without the consent of EXM

Ce dessin est confidentiel et ne doit pas être reproduit ou utilisé sans le consentement de EXM

| No. | Revisions | Date | By/Par |
|-----|-----------|------|--------|
| | | | |
| | | | |
| | | | |
| | | | |
| | | | |



| | |
|--|---|
|  Tél: (450) 979-4373 Fax: (450) 979-4626 www.exmweb.com | Flatness Aplatissement |
| | Max 3.0mm |
| Projection |  |

| | |
|-------------------------|-----------------|
| Customer Client | Date |
| Drawn By Dessiné Par | Date 2022-11-04 |

| | |
|---------------------|-----------------------------------|
| Material Matière | 14 Ga Stainless Steel 304 (1.7mm) |
|---------------------|-----------------------------------|

| | | | |
|------------------|-----------|----------------|---------|
| Color Couleur | Unpainted | Finish Fini | Brushed |
|------------------|-----------|----------------|---------|

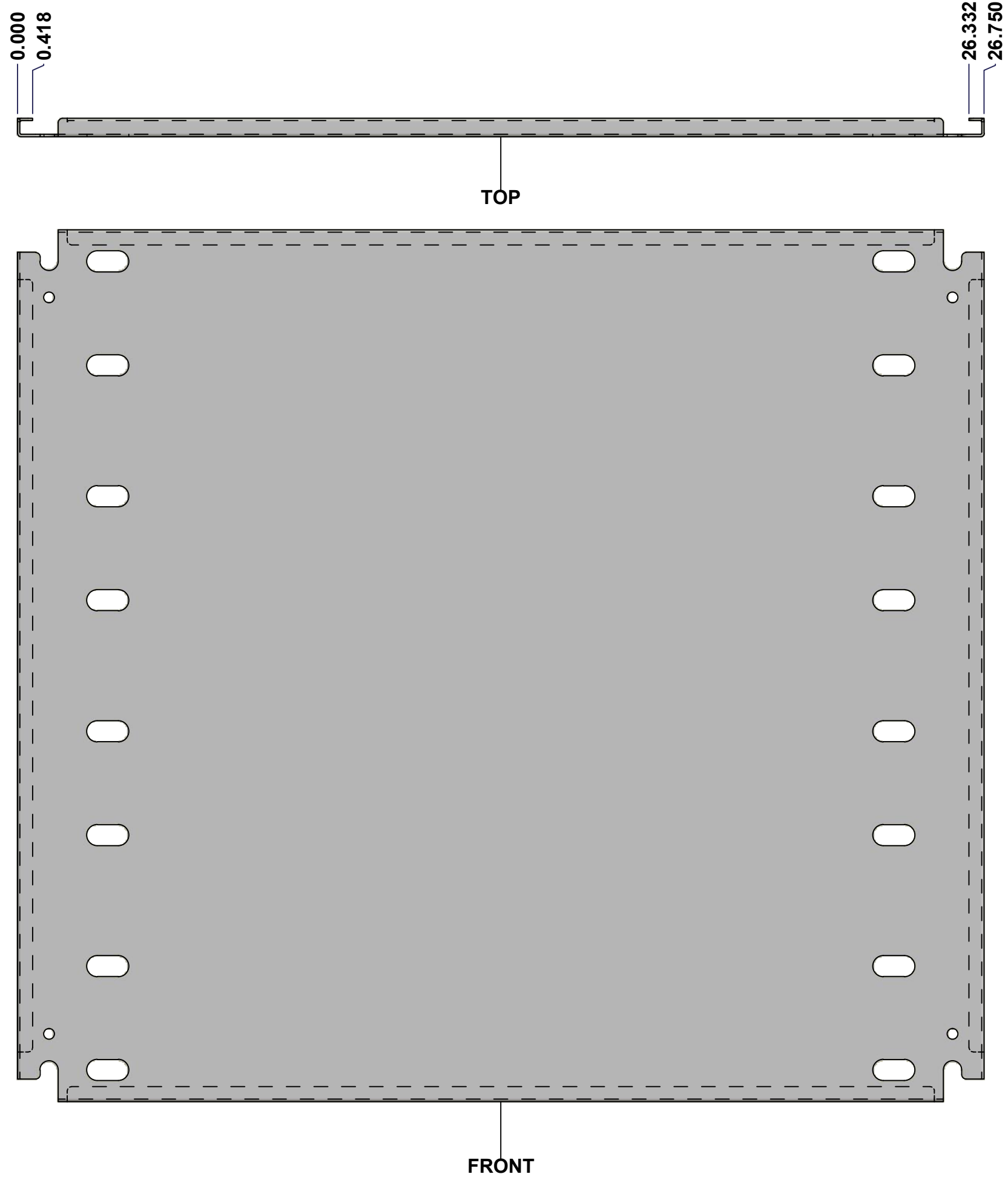
| | |
|-----------------------------|-------------|
| Description | Detail Rev. |
| 1412BTSSCU 30" x 132" Cover | |

| | | |
|-----------------------------|----------|----|
| Part Number Numéro Pièce | Rev. | 13 |
| 1412BTSSCU111204DTC | 0 | 17 |

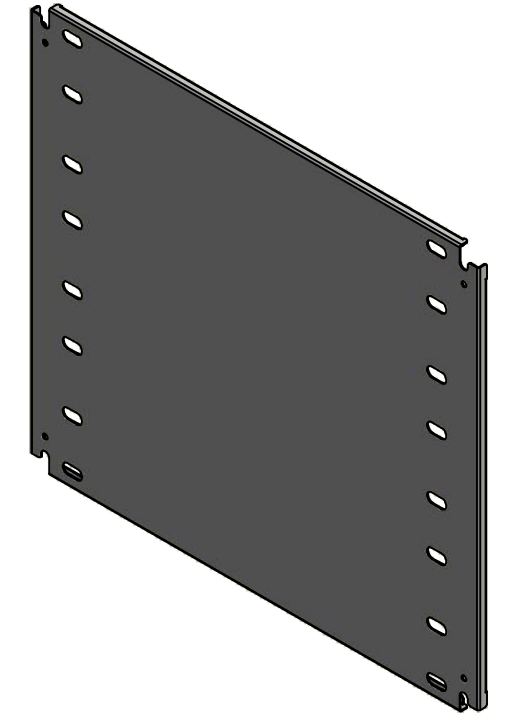
| Qty | Part Name | Rev | Description |
|------------|-----------------------|-----|--|
| 2 | 1412BTSSCU111204DTG | 0 | 1412BTSSCU 30" x 132" Cover Gasket |
| 8 | STK-K-09850 | 6 | 5412 ESS Hinge with 2 Captive Hinge Pins |
| 2 | STK-Q-16095 | 0 | M6 x 16mm Stainless Steel Ground Stud |
| 1 | STK-S-00100 | 0 | 3.5" x 2" Silver Milar Flexcon Sticker |
| 1 | 1412BTSSCU111204DTC-P | 0 | 1412BTSSCU 30" x 66" Left Cover Part |
| 1 | 1412BTSSCU111204DTF-P | 0 | 1412BTSSCU 30" x 132" Right Cover Part |
| 10 | 880 SCQ4-SLSS6 | 7 | 5412 ESS 1/4 Turn Lock |
| Parts List | | | |

This drawing is confidential and must not be reproduced or used without the consent of EXM

Ce dessin est confidentiel et ne doit pas être reproduit ou utilisé sans le consentement de EXM



| No. | Revisions | Date | By/Par |
|-----|-----------|------|--------|
| | | | |
| | | | |
| | | | |
| | | | |
| | | | |



Isometric View



Tél: (450) 979-4373
 Fax: (450) 979-4626
www.exmweb.com

Flatness
Aplatissement
Max 3.0mm
Projection

| | |
|---|------------------|
| Customer Client | Date |
| Drawn By / Dessiné Par: BoxCad: BoxCad | Date: 2022-11-04 |
| Material / Matière: 14 Ga Cold Rolled A1008 CS Type B (1.7mm) | |

| | |
|--------------------------------|-----------------------|
| Color / Couleur: White RAL9003 | Finish / Fini: Smooth |
|--------------------------------|-----------------------|

Description: 1412BTSSCU 24.125" x 26.75" Left Inner Panel

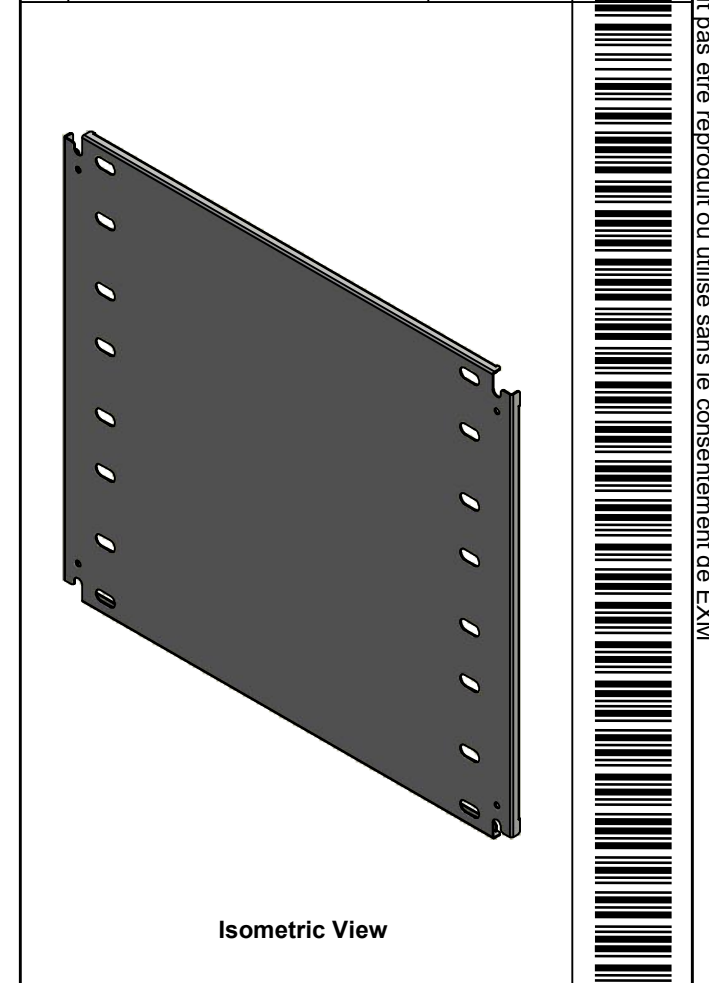
| | | |
|---|--------|---------|
| Part Number / Numéro Pièce: 1412BTSSCU111204DTIP1 | Rev. 0 | 14 / 17 |
|---|--------|---------|

SEE BILL OF MATERIAL ON LAST PAGE

This drawing is confidential and must not be reproduced or used without the consent of EXM



Ce dessin est confidentiel et ne doit pas être reproduit ou utilisé sans le consentement de EXM

| No. | Revisions | Date | By/Par |
|-----|-----------|------|--------|
| | | | |
| | | | |
| | | | |
| | | | |
| | | | |



Isometric View

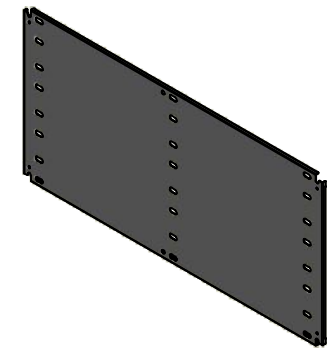
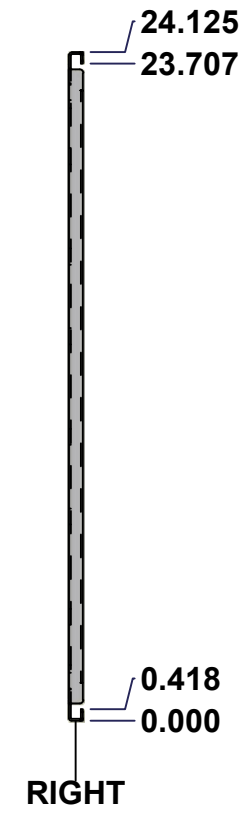
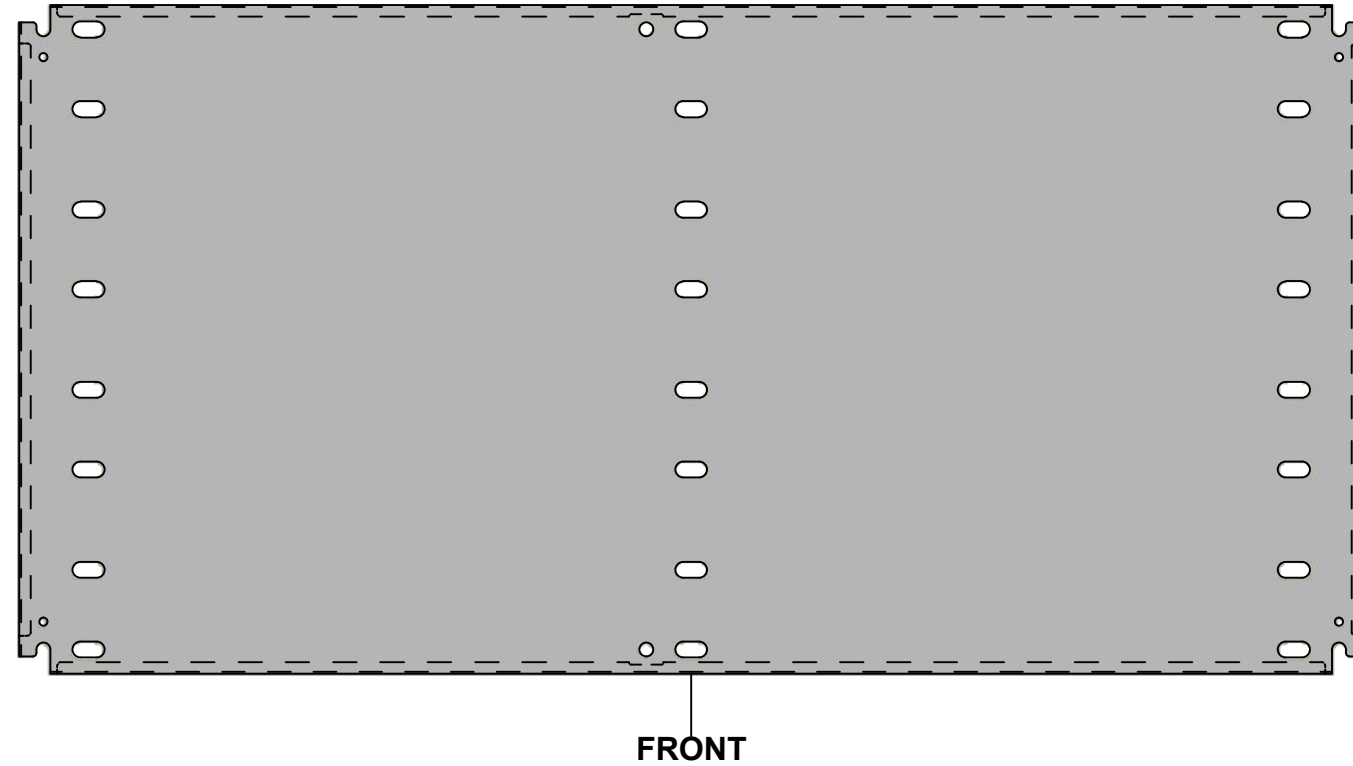
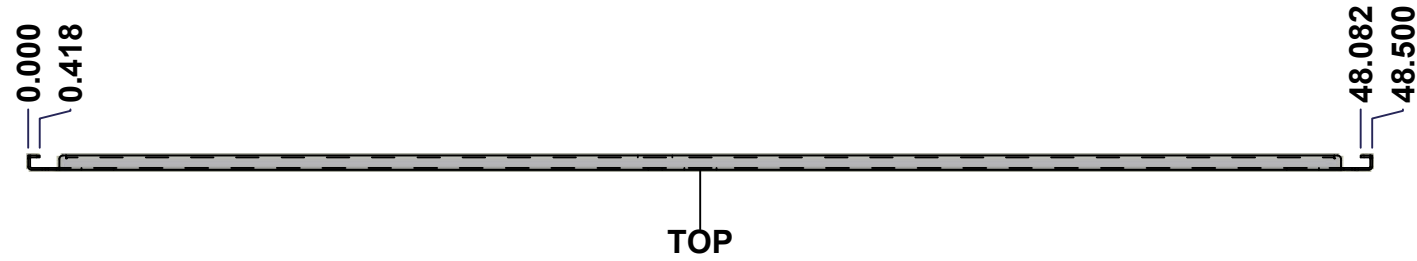


| | | |
|--|-----------------------|--|
|  Tél: (450) 979-4373 Fax: (450) 979-4626 www.exmweb.com | | Flatness Aplatissement  Max 3.0mm |
| Customer Client | | Date |
| Drawn By Dessiné Par BoxCad: BoxCad | | Date 2022-11-04 |
| Material Matière 14 Ga Cold Rolled A1008 CS Type B (1.7mm) | | |
| Color Couleur White RAL9003 | Finish Fini Smooth | |
| Description 1412BTSSCU 24.125" x 26.75" Left Inner Panel | | Detail Rev. |
| Part Number Numéro Pièce 1412BTSSCU111204DTIP1 | | Rev. 0 |

| Qty | Part Number | Rev | Description |
|------------|-----------------------------|-----|---|
| 1 | STK-P-02401S | 0 | Powder Paint (White / Smooth) |
| 1 | 1412BTSSCU111204DTIP 1-P | 0 | 1412BTSSCU 24.125" x 132" Left Inner Panel Part |
| Parts List | | | |

This drawing is confidential and must not be reproduced or used without the consent of EXM



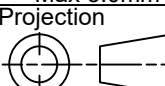
Ce dessin est confidentiel et ne doit pas être reproduit ou utilisé sans le consentement de EXM



Isometric View

| No. | Revisions | Date | By/Par |
|-----|-----------|------|--------|
| | | | |
| | | | |
| | | | |
| | | | |
| | | | |



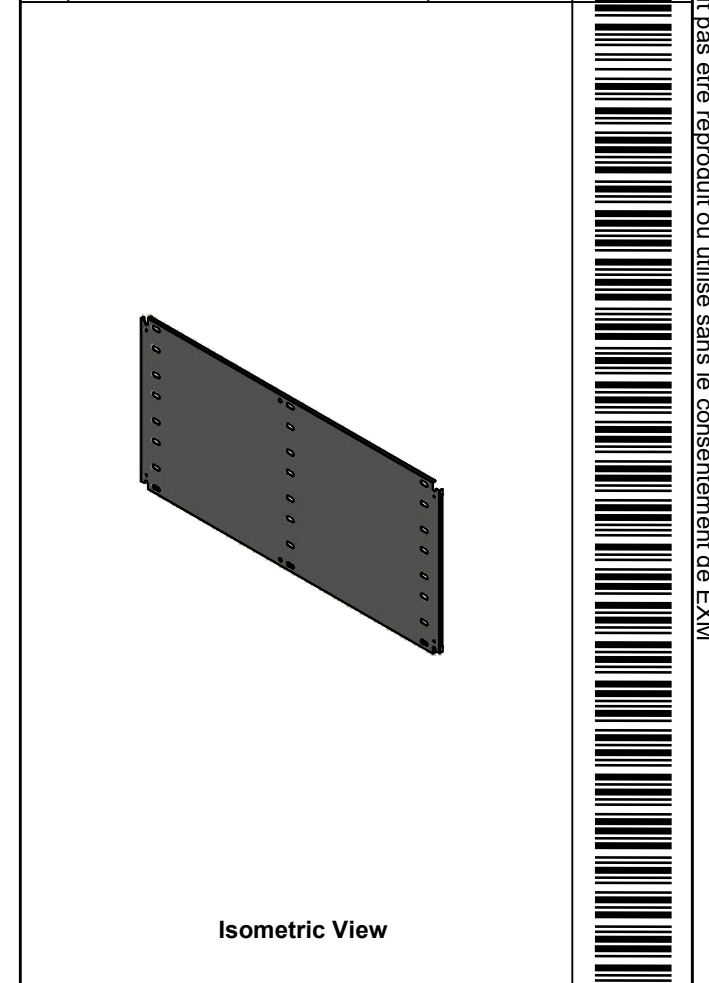
| | |
|--|--|
|  Tél: (450) 979-4373 Fax: (450) 979-4626 www.exmweb.com | Flatness Aplatissement  Max 3.0mm |
| | Projection  |
| Customer Client | Date |
| Drawn By Dessiné Par BoxCad: BoxCad | Date 2022-11-04 |
| Material Matière 14 Ga Cold Rolled A1008 CS Type B (1.7mm) | |
| Color Couleur White RAL9003 | Finish Fini Smooth |
| Description 1412BTSSCU 24.125" x 48.5" Right Inner Panel | Detail Rev. |
| Part Number Numéro Pièce 1412BTSSCU111204DTIP2 | Rev. 0 |
| | 16 17 |

SEE BILL OF MATERIAL ON LAST PAGE

This drawing is confidential and must not be reproduced or used without the consent of EXM


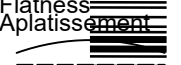
Ce dessin est confidentiel et ne doit pas être reproduit ou utilisé sans le consentement de EXM

| No. | Revisions | Date | By/Par |
|-----|-----------|------|--------|
| | | | |
| | | | |
| | | | |
| | | | |
| | | | |



Isometric View



| | | |
|--|-----------------------|---|
|  Tél: (450) 979-4373 Fax: (450) 979-4626 www.exmweb.com | | Flatness Aplatissement  Max 3.0mm |
| Customer Client | | Date |
| Drawn By Dessiné Par BoxCad: BoxCad | | Date 2022-11-04 |
| Material Matière 14 Ga Cold Rolled A1008 CS Type B (1.7mm) | | |
| Color Couleur White RAL9003 | Finish Fini Smooth | |
| Description 1412BTSSCU 24.125" x 48.5" Right Inner Panel | | Detail Rev. |
| Part Number Numéro Pièce 1412BTSSCU111204DTIP2 | | Rev. 0 |

| Qty | Part Number | Rev | Description |
|------------|--------------------------|-----|--|
| 1 | STK-P-02401S | 0 | Powder Paint (White / Smooth) |
| 1 | 1412BTSSCU111204DTIP 2-P | 0 | 1412BTSSCU 24.125" x 132" Right Inner Panel Part |
| Parts List | | | |