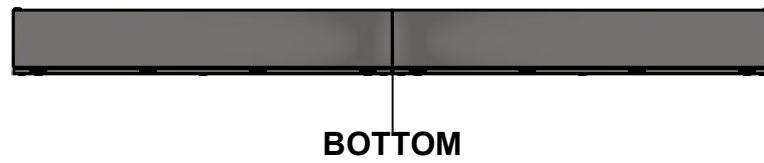
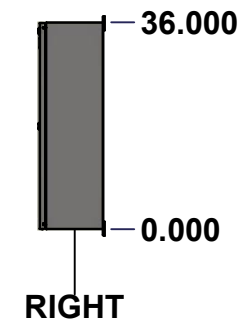
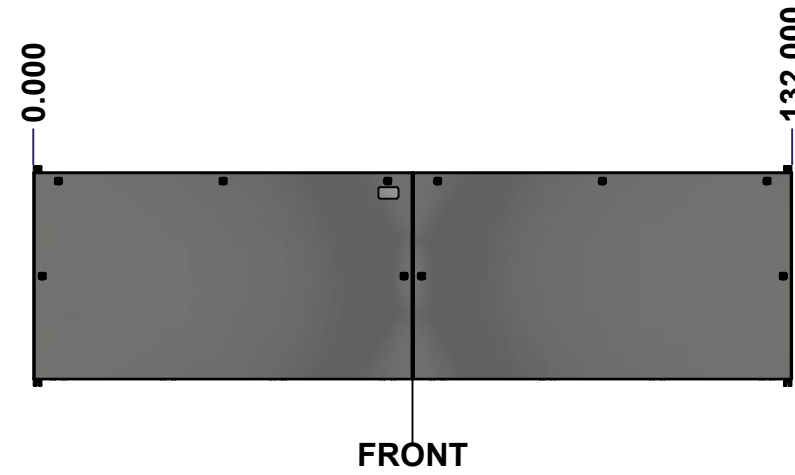
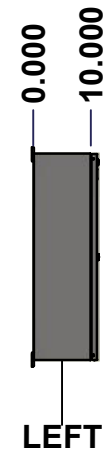
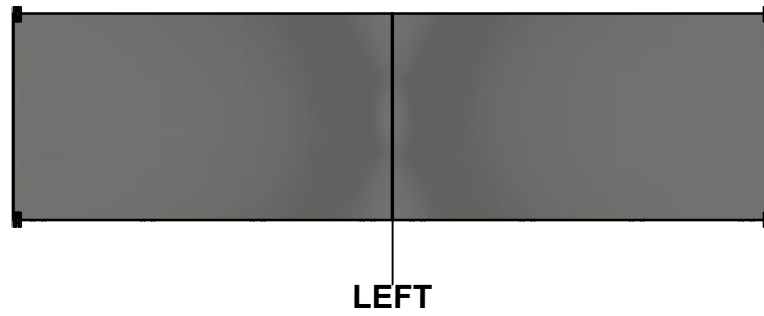
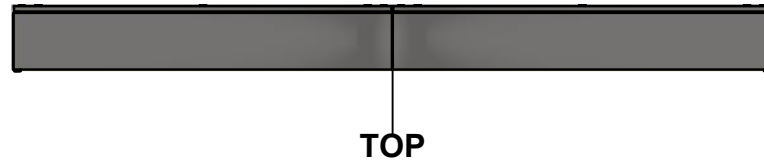
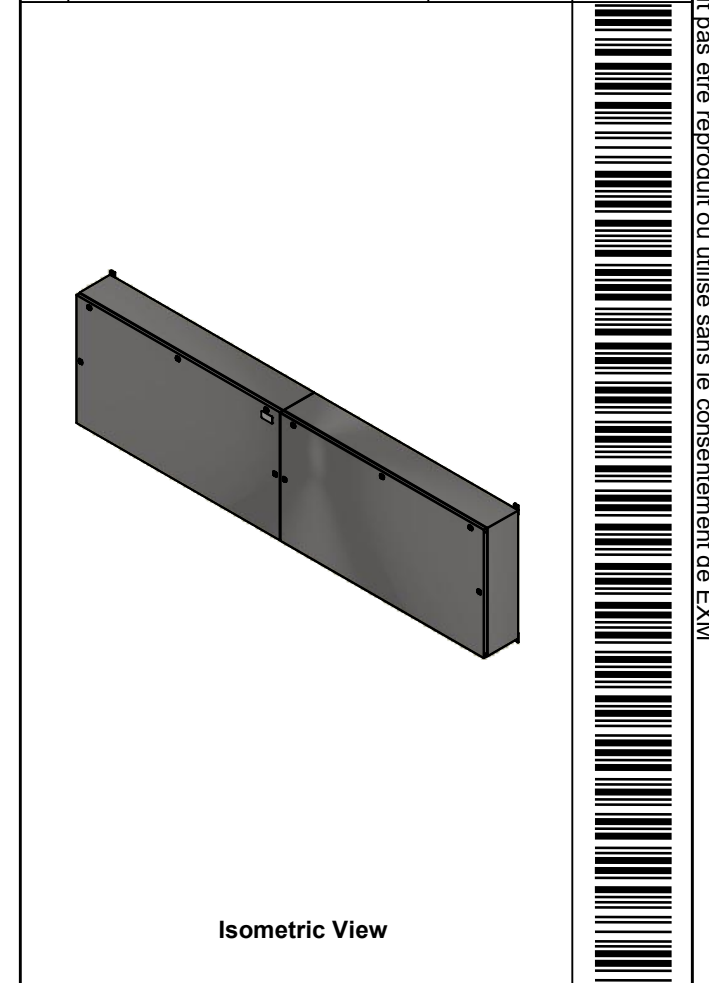



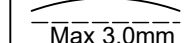
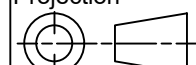
This drawing is confidential and must not be reproduced or used without the consent of EXM

Ce dessin est confidentiel et ne doit pas être reproduit ou utilisé sans le consentement de EXM



No.	Revisions	Date	By/Par



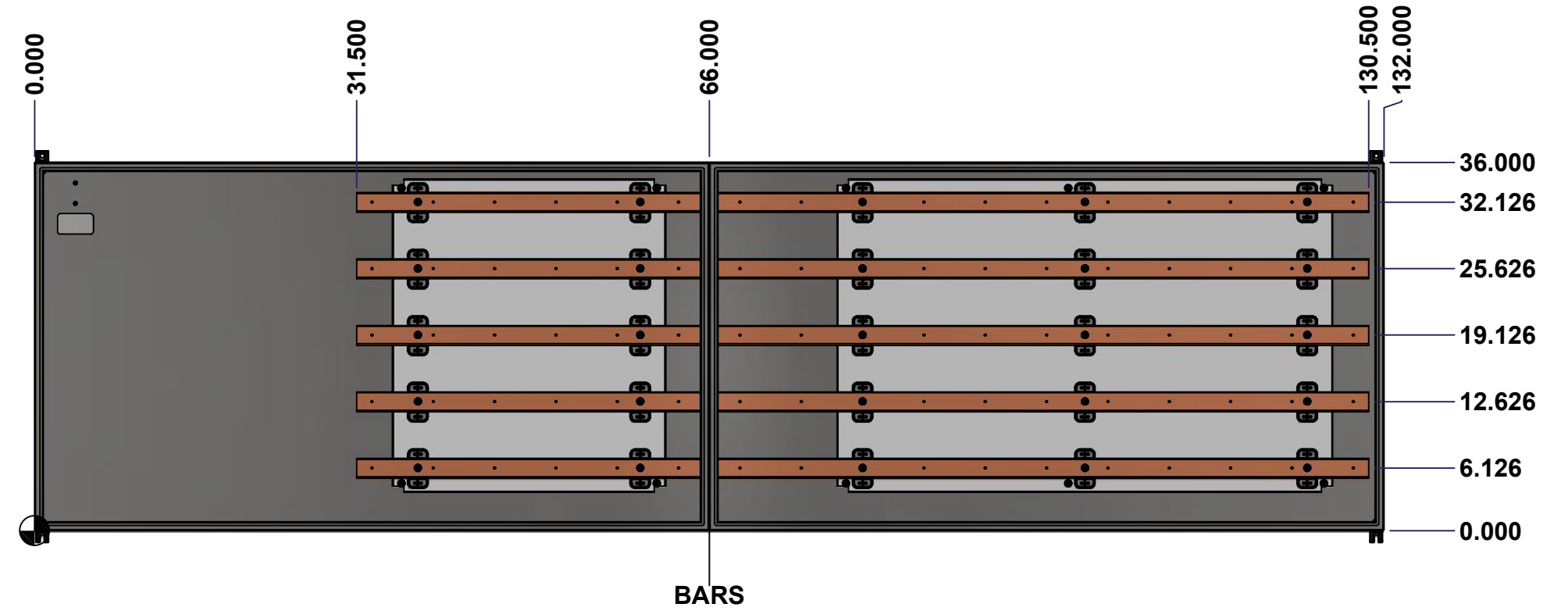
 Tél: (450) 979-4373 Fax: (450) 979-4626 www.exmweb.com		Flatness Aplatissement  Max 3.0mm
Projection 		Date 2022-11-03
Customer Client	Date	
Drawn By Dessiné Par	BoxCad: BoxCad	Date 2022-11-03
Material Matière	14 Ga Stainless Steel 304 (1.7mm)	
Color Couleur	Unpainted	Finish Fini Brushed
Description	Detail Rev.	
1412BTSSCU 600A - 5Wires x 132" Assembly		
Part Number Numéro Pièce	Rev.	1
1412BTSSCU11605DT	0	18

SEE BILL OF MATERIAL ON LAST PAGE

This drawing is confidential and must not be reproduced or used without the consent of Eurobox

STANDARD FEATURES ARE NOT LISTED IN THIS HOLE TABLE

Ce dessin est confidentiel et ne doit pas être reproduit ou utilisé sans le consentement de Eurobox



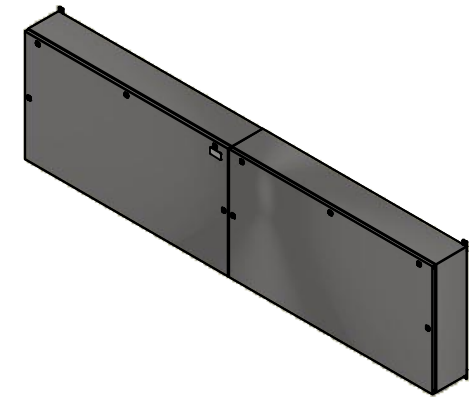
	Description 1412BTSSCU 600A - 5Wires x 132" Assembly		Status (NULL)
	Part Number Numéro Pièce 1412BTSSCU11605DT		Rev. 2 0

This drawing is confidential and must not be reproduced or used without the consent of EXM

Ce dessin est confidentiel et ne doit pas être reproduit ou utilisé sans le consentement de EXM

NOTE	
ITEM	DESCRIPTION
1	NEMA 4X Enclosure
2	C/W Standard ground studs on box and cover
3	W/O Standard door stiffener
4	C/W Special inner panel (Sold separately)
5	C/W Standard inner panel mounting studs

No.	Revisions	Date	By/Par




Isometric View



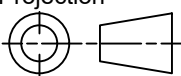
8	STK-Q-04051-07	8	M6 x 7mm Stainless Steel Hexagon Socket Head Machine Screw with Nyseal
1	885 ESMF2	0	885 ESMF2 Stainless Steel Mounting Feet Kit
1	1412BTSSCU11605DTIP2	0	1412BTSSCU 30.625" x 48.5" Right Inner Panel
1	1412BTSSCU11605DTBA R1-P	0	Rounded Edge Copper Bar 1/4" x 2"
1	1412BTSSCU11605DTBA R2-P	0	Rounded Edge Copper Bar 1/4" x 2"
1	1412BTSSCU11605DTBA R3-P	0	Rounded Edge Copper Bar 1/4" x 2"
1	1412BTSSCU11605DTBA R4-P	0	Rounded Edge Copper Bar 1/4" x 2"
1	1412BTSSCU11605DTBA R5-P	0	Rounded Edge Copper Bar 1/4" x 2"
1	1412BTSSCU11605DTIP1	0	1412BTSSCU 30.625" x 26.75" Left Inner Panel
25	STK-A-67400	0	Buss Bar Insulator Kit
1	STK-K-01800	5	5412 ES Accessory Kit
35	STK-Q-07310	2	Flange Lock Nut M8
10	STK-Q-07610	8	M8 Plastic Spacer 22.2mm
1	1412BTSSCU11605DTB	0	1412BTSSCU 36" x 132" x 10" Body
1	1412BTSSCU11605DTC	0	1412BTSSCU 36" x 132" Cover
Qty	Part Number	Rev	Description
Parts List			

PACKING		
ITEM	QTY	DESCRIPTION
Cardboard sleeve	2	Top and Bottom
Cardboard strip	2	Between back of enclosure and inner panel
Plastic bag	1	To protect cover surface and inside gasket
Cardboard corner	4	To reinforced for the plastic strap tightening
Plastic strap - Black	2	To Squeeze 2 cardboard sleeve together
Packaging label	3	White label with PN
Plastic strap- Green	2	To secure the enclosure to the wood pallet
Wood Pallet	1	2" deeper and 3" larger than enclosure size



Tél: (450) 979-4373
Fax: (450) 979-4626
www.exmweb.com

Flatness
Aplatissement
Max 3.0mm

Projection


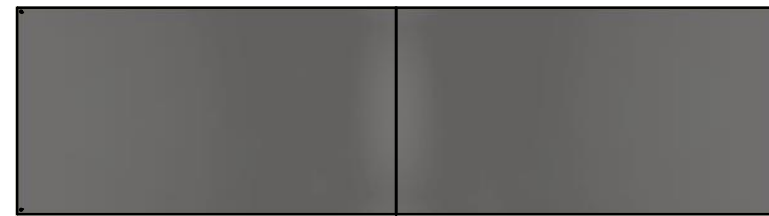
Customer Client	Date
Drawn By Dessiné Par	Date 2022-11-03
Material Matière	BoxCad: BoxCad
Color Couleur	14 Ga Stainless Steel 304 (1.7mm)
Description	Finish Fini
1412BTSSCU 600A - 5Wires x 132" Assembly	Brushed
Part Number Numéro Pièce	Detail Rev.
1412BTSSCU11605DT	3
Rev. 0	18

This drawing is confidential and must not be reproduced or used without the consent of EXM

Ce dessin est confidentiel et ne doit pas être reproduit ou utilisé sans le consentement de EXM



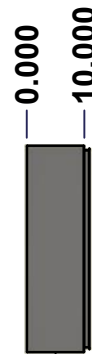
TOP



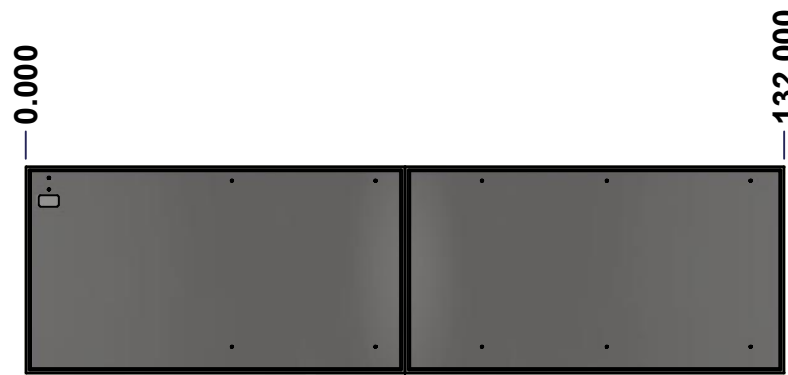
BACK



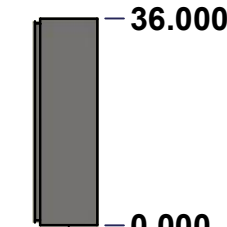
BOTTOM



LEFT

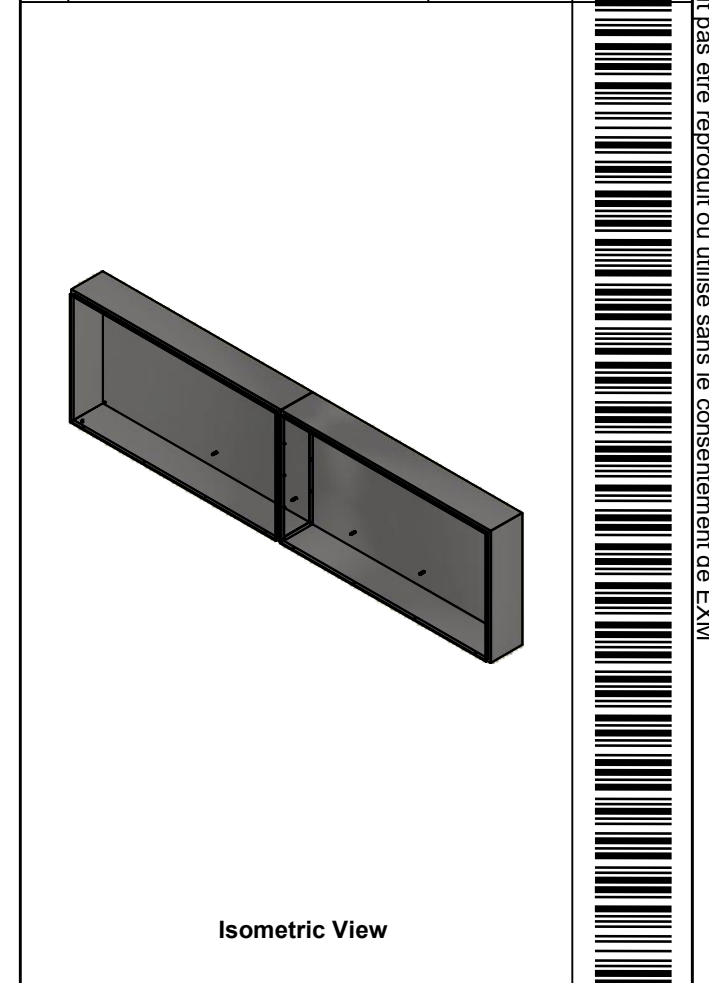


FRONT




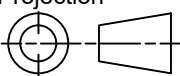
RIGHT

No.	Revisions	Date	By/Par



Isometric View



 Tél: (450) 979-4373 Fax: (450) 979-4626 www.exmweb.com		Flatness Aplatissement Max 3.0mm Projection 
Customer Client	Date	
Drawn By Dessiné Par	BoxCad: BoxCad	Date 2022-11-03
Material Matière	14 Ga Stainless Steel 304 (1.7mm)	
Color Couleur	Unpainted	Finish Fini Brushed
Description	Detail Rev.	
1412BTSSCU 36" x 132" x 10" Body		
Part Number Numéro Pièce	Rev.	4
SEE BILL OF MATERIAL ON LAST PAGE	1412BTSSCU11605DTB	0

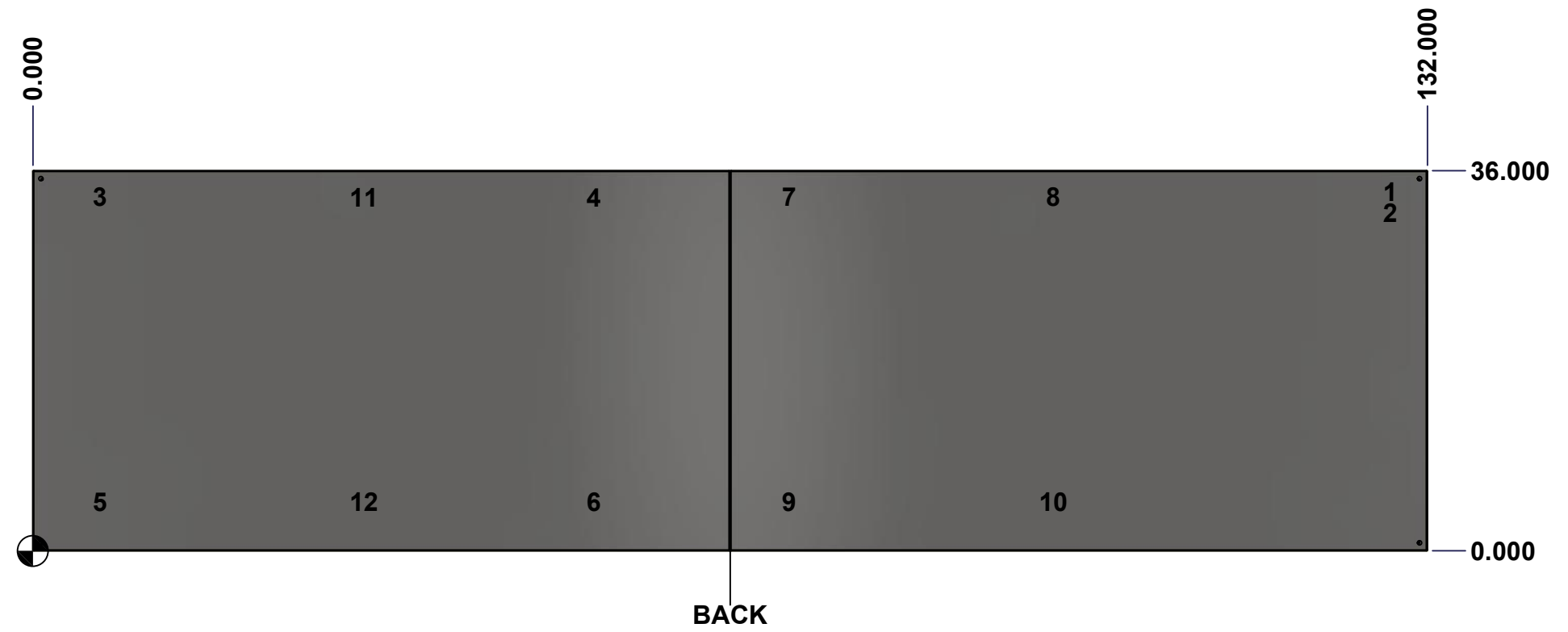
This drawing is confidential and must not be reproduced or used without the consent of Eurobox

Ce dessin est confidentiel et ne doit pas être reproduit ou utilisé sans le consentement de Eurobox

STANDARD FEATURES ARE NOT LISTED IN THIS HOLE TABLE

HOLE TABLE - BACK VIEW (CUSTOM FEATURE ONLY)

CUT-OUT	XDIM	YDIM	DESCRIPTION
1	128.000	34.000	GND STUD M8 x 35mm (Inside)
2	128.000	32.000	GND STUD M8 x 35mm (Inside)
3	5.875	33.500	IP STUD M8 x 35mm (Inside)
4	52.625	33.500	IP STUD M8 x 35mm (Inside)
5	5.875	4.625	IP STUD M8 x 35mm (Inside)
6	52.625	4.625	IP STUD M8 x 35mm (Inside)
7	71.125	33.500	IP STUD M8 x 35mm (Inside)
8	96.125	33.500	IP STUD M8 x 35mm (Inside)
9	71.125	4.625	IP STUD M8 x 35mm (Inside)
10	96.125	4.625	IP STUD M8 x 35mm (Inside)
11	30.875	33.500	IP STUD M8 x 35mm (Inside)
12	30.875	4.625	IP STUD M8 x 35mm (Inside)

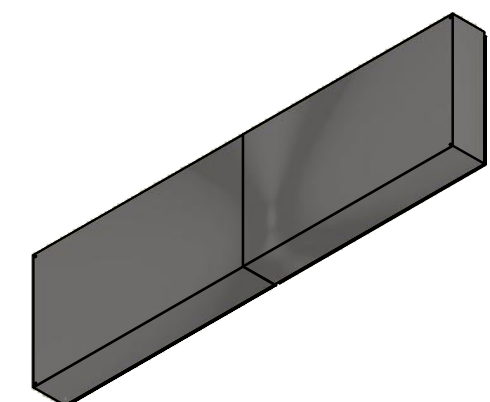


	Description 1412BTSSCU 36" x 132" x 10" Body	Status (NULL)
	Part Number Numéro Pièce 1412BTSSCU11605DTB	Rev. 5 0

This drawing is confidential and must not be reproduced or used without the consent of EXM

Ce dessin est confidentiel et ne doit pas être reproduit ou utilisé sans le consentement de EXM

No.	Revisions	Date	By/Par



Isometric View




 Tél: (450) 979-4373
 Fax: (450) 979-4626
www.exmweb.com

Flatness / Aplatissement: Max 3.0mm
 Projection: 

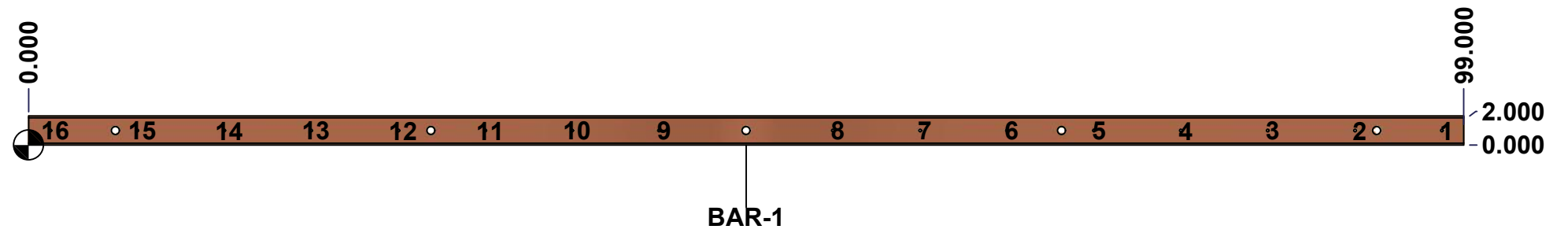
Qty	Part Number	Rev	Description
1	1412BTSSCU11605DTB-P	0	1412BTSSCU 36" x 132" x 10" Left Body Part
1	1412BTSSCU11605DTE-P	0	1412BTSSCU 36" x 132" x 10" Right Body Part
1	STK-G-00701	0	1" x 1/4" Self-Adhesive Neoprene Gasket
10	STK-Q-00260	1	M6 x 13mm Carriage Bolt
10	STK-Q-07220	1	M6 Nylon Insert Lock Nut
12	STK-Q-16020	1	Stud M8 x 35mm Stainless Steel
2	STK-Q-16095	0	M6 x 16mm Stainless Steel Ground Stud
1	STK-S-00100	0	3.5" x 2" Silver Milar Flexcon Sticker
Parts List			

Customer Client	Date
Drawn By / Dessiné Par: BoxCad: BoxCad	Date: 2022-11-03
Material / Matière: 14 Ga Stainless Steel 304 (1.7mm)	
Color / Couleur: Unpainted	Finish / Fini: Brushed
Description: 1412BTSSCU 36" x 132" x 10" Body	Detail Rev.
Part Number / Numéro Pièce: 1412BTSSCU11605DTB	Rev. 0
	6 / 18

This drawing is confidential and must not be reproduced or used without the consent of Eurobex

Ce dessin est confidentiel et ne doit pas être reproduit ou utilisé sans le consentement de Eurobex

STANDARD FEATURES ARE NOT LISTED IN THIS HOLE TABLE			
HOLE TABLE - FRONT VIEW (CUSTOM FEATURE ONLY)			
CUT-OUT	XDIM	YDIM	DESCRIPTION
1	97.500	1.000	RND Ø0.201 THREAD 1/4-20 UNC
2	91.500	1.000	RND Ø0.201 THREAD 1/4-20 UNC
3	85.500	1.000	RND Ø0.201 THREAD 1/4-20 UNC
4	79.500	1.000	RND Ø0.201 THREAD 1/4-20 UNC
5	73.500	1.000	RND Ø0.201 THREAD 1/4-20 UNC
6	67.500	1.000	RND Ø0.201 THREAD 1/4-20 UNC
7	61.500	1.000	RND Ø0.201 THREAD 1/4-20 UNC
8	55.500	1.000	RND Ø0.201 THREAD 1/4-20 UNC
9	43.500	1.000	RND Ø0.201 THREAD 1/4-20 UNC
10	37.500	1.000	RND Ø0.201 THREAD 1/4-20 UNC
11	31.500	1.000	RND Ø0.201 THREAD 1/4-20 UNC
12	25.500	1.000	RND Ø0.201 THREAD 1/4-20 UNC
13	19.500	1.000	RND Ø0.201 THREAD 1/4-20 UNC
14	13.500	1.000	RND Ø0.201 THREAD 1/4-20 UNC
15	7.500	1.000	RND Ø0.201 THREAD 1/4-20 UNC
16	1.500	1.000	RND Ø0.201 THREAD 1/4-20 UNC

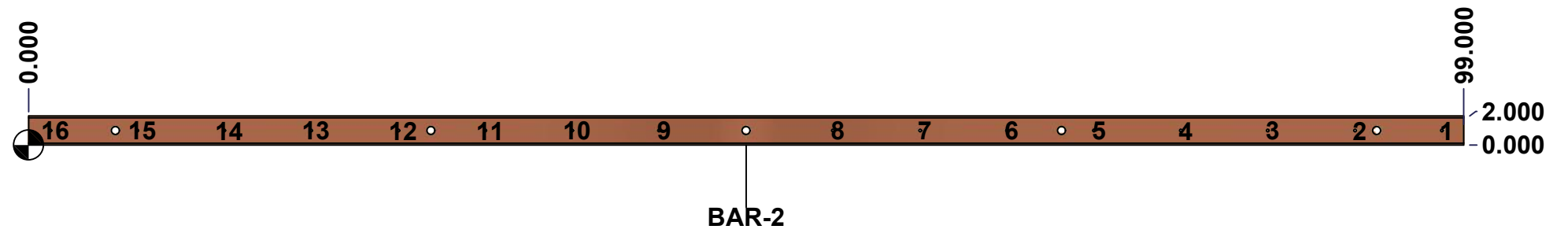


	Description	Status	
	Rounded Edge Copper Bar 1/4" x 2"	(NULL)	
	Part Number Numéro Pièce	Rev.	7
	1412BTSSCU11605DTBAR1-P 0		18

This drawing is confidential and must not be reproduced or used without the consent of Eurobex

Ce dessin est confidentiel et ne doit pas être reproduit ou utilisé sans le consentement de Eurobex

STANDARD FEATURES ARE NOT LISTED IN THIS HOLE TABLE			
HOLE TABLE - FRONT VIEW (CUSTOM FEATURE ONLY)			
CUT-OUT	XDIM	YDIM	DESCRIPTION
1	97.500	1.000	RND Ø0.201 THREAD 1/4-20 UNC
2	91.500	1.000	RND Ø0.201 THREAD 1/4-20 UNC
3	85.500	1.000	RND Ø0.201 THREAD 1/4-20 UNC
4	79.500	1.000	RND Ø0.201 THREAD 1/4-20 UNC
5	73.500	1.000	RND Ø0.201 THREAD 1/4-20 UNC
6	67.500	1.000	RND Ø0.201 THREAD 1/4-20 UNC
7	61.500	1.000	RND Ø0.201 THREAD 1/4-20 UNC
8	55.500	1.000	RND Ø0.201 THREAD 1/4-20 UNC
9	43.500	1.000	RND Ø0.201 THREAD 1/4-20 UNC
10	37.500	1.000	RND Ø0.201 THREAD 1/4-20 UNC
11	31.500	1.000	RND Ø0.201 THREAD 1/4-20 UNC
12	25.500	1.000	RND Ø0.201 THREAD 1/4-20 UNC
13	19.500	1.000	RND Ø0.201 THREAD 1/4-20 UNC
14	13.500	1.000	RND Ø0.201 THREAD 1/4-20 UNC
15	7.500	1.000	RND Ø0.201 THREAD 1/4-20 UNC
16	1.500	1.000	RND Ø0.201 THREAD 1/4-20 UNC

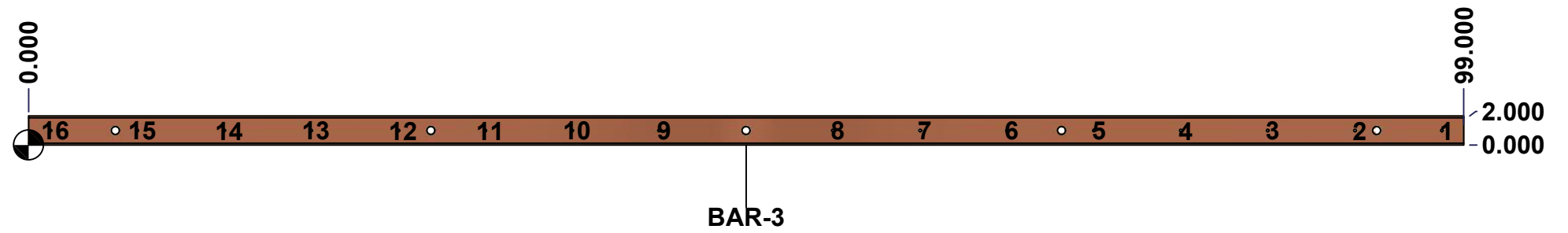


	Description	Status
	Rounded Edge Copper Bar 1/4" x 2"	(NULL)
	Part Number Numéro Pièce	Rev.
	1412BTSSCU11605DTBAR2-P 0	8
		18

This drawing is confidential and must not be reproduced or used without the consent of Eurobex

Ce dessin est confidentiel et ne doit pas être reproduit ou utilisé sans le consentement de Eurobex

STANDARD FEATURES ARE NOT LISTED IN THIS HOLE TABLE			
HOLE TABLE - FRONT VIEW (CUSTOM FEATURE ONLY)			
CUT-OUT	XDIM	YDIM	DESCRIPTION
1	97.500	1.000	RND Ø0.201 THREAD 1/4-20 UNC
2	91.500	1.000	RND Ø0.201 THREAD 1/4-20 UNC
3	85.500	1.000	RND Ø0.201 THREAD 1/4-20 UNC
4	79.500	1.000	RND Ø0.201 THREAD 1/4-20 UNC
5	73.500	1.000	RND Ø0.201 THREAD 1/4-20 UNC
6	67.500	1.000	RND Ø0.201 THREAD 1/4-20 UNC
7	61.500	1.000	RND Ø0.201 THREAD 1/4-20 UNC
8	55.500	1.000	RND Ø0.201 THREAD 1/4-20 UNC
9	43.500	1.000	RND Ø0.201 THREAD 1/4-20 UNC
10	37.500	1.000	RND Ø0.201 THREAD 1/4-20 UNC
11	31.500	1.000	RND Ø0.201 THREAD 1/4-20 UNC
12	25.500	1.000	RND Ø0.201 THREAD 1/4-20 UNC
13	19.500	1.000	RND Ø0.201 THREAD 1/4-20 UNC
14	13.500	1.000	RND Ø0.201 THREAD 1/4-20 UNC
15	7.500	1.000	RND Ø0.201 THREAD 1/4-20 UNC
16	1.500	1.000	RND Ø0.201 THREAD 1/4-20 UNC

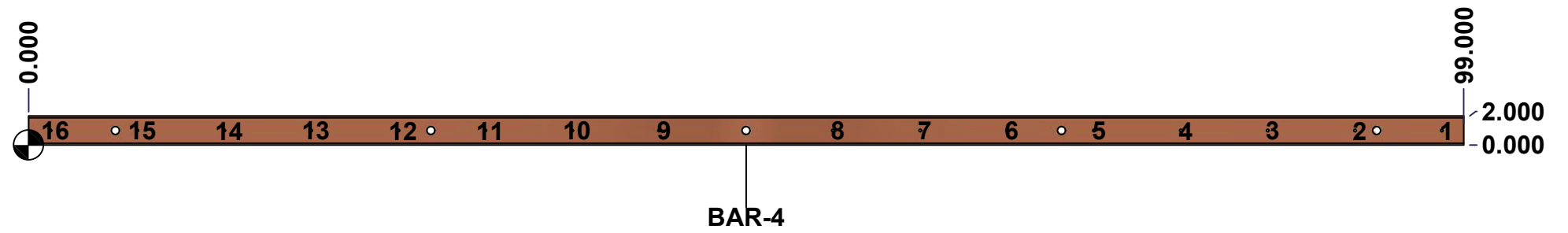


	Description	Status
	Rounded Edge Copper Bar 1/4" x 2"	(NULL)
	Part Number Numéro Pièce	Rev.
	1412BTSSCU11605DTBAR3-P 0	9
		18

This drawing is confidential and must not be reproduced or used without the consent of Eurobex

Ce dessin est confidentiel et ne doit pas être reproduit ou utilisé sans le consentement de Eurobex

STANDARD FEATURES ARE NOT LISTED IN THIS HOLE TABLE			
HOLE TABLE - FRONT VIEW (CUSTOM FEATURE ONLY)			
CUT-OUT	XDIM	YDIM	DESCRIPTION
1	97.500	1.000	RND Ø0.201 THREAD 1/4-20 UNC
2	91.500	1.000	RND Ø0.201 THREAD 1/4-20 UNC
3	85.500	1.000	RND Ø0.201 THREAD 1/4-20 UNC
4	79.500	1.000	RND Ø0.201 THREAD 1/4-20 UNC
5	73.500	1.000	RND Ø0.201 THREAD 1/4-20 UNC
6	67.500	1.000	RND Ø0.201 THREAD 1/4-20 UNC
7	61.500	1.000	RND Ø0.201 THREAD 1/4-20 UNC
8	55.500	1.000	RND Ø0.201 THREAD 1/4-20 UNC
9	43.500	1.000	RND Ø0.201 THREAD 1/4-20 UNC
10	37.500	1.000	RND Ø0.201 THREAD 1/4-20 UNC
11	31.500	1.000	RND Ø0.201 THREAD 1/4-20 UNC
12	25.500	1.000	RND Ø0.201 THREAD 1/4-20 UNC
13	19.500	1.000	RND Ø0.201 THREAD 1/4-20 UNC
14	13.500	1.000	RND Ø0.201 THREAD 1/4-20 UNC
15	7.500	1.000	RND Ø0.201 THREAD 1/4-20 UNC
16	1.500	1.000	RND Ø0.201 THREAD 1/4-20 UNC

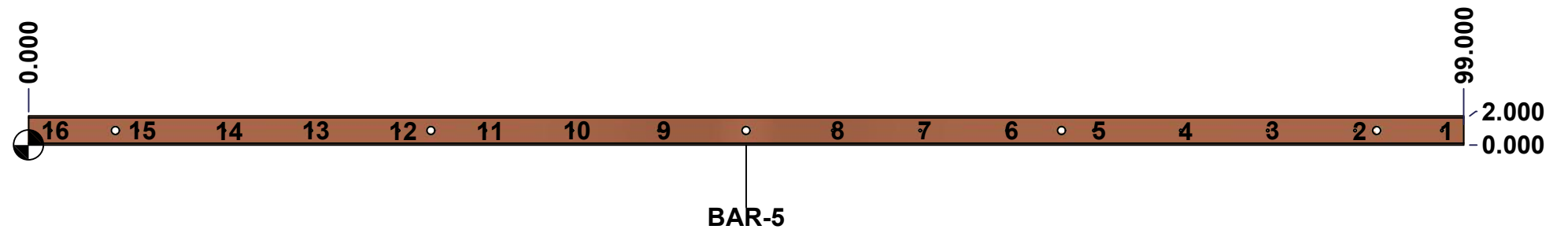


	Description	Status
	Rounded Edge Copper Bar 1/4" x 2"	(NULL)
	Part Number Numéro Pièce	Rev.
	1412BTSSCU11605DTBAR4-P 0	10
		18

This drawing is confidential and must not be reproduced or used without the consent of Eurobex

Ce dessin est confidentiel et ne doit pas être reproduit ou utilisé sans le consentement de Eurobex

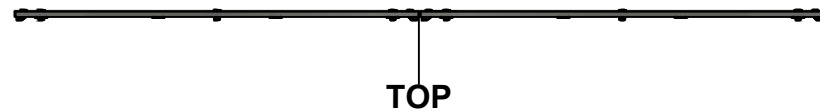
STANDARD FEATURES ARE NOT LISTED IN THIS HOLE TABLE			
HOLE TABLE - FRONT VIEW (CUSTOM FEATURE ONLY)			
CUT-OUT	XDIM	YDIM	DESCRIPTION
1	97.500	1.000	RND Ø0.201 THREAD 1/4-20 UNC
2	91.500	1.000	RND Ø0.201 THREAD 1/4-20 UNC
3	85.500	1.000	RND Ø0.201 THREAD 1/4-20 UNC
4	79.500	1.000	RND Ø0.201 THREAD 1/4-20 UNC
5	73.500	1.000	RND Ø0.201 THREAD 1/4-20 UNC
6	67.500	1.000	RND Ø0.201 THREAD 1/4-20 UNC
7	61.500	1.000	RND Ø0.201 THREAD 1/4-20 UNC
8	55.500	1.000	RND Ø0.201 THREAD 1/4-20 UNC
9	43.500	1.000	RND Ø0.201 THREAD 1/4-20 UNC
10	37.500	1.000	RND Ø0.201 THREAD 1/4-20 UNC
11	31.500	1.000	RND Ø0.201 THREAD 1/4-20 UNC
12	25.500	1.000	RND Ø0.201 THREAD 1/4-20 UNC
13	19.500	1.000	RND Ø0.201 THREAD 1/4-20 UNC
14	13.500	1.000	RND Ø0.201 THREAD 1/4-20 UNC
15	7.500	1.000	RND Ø0.201 THREAD 1/4-20 UNC
16	1.500	1.000	RND Ø0.201 THREAD 1/4-20 UNC



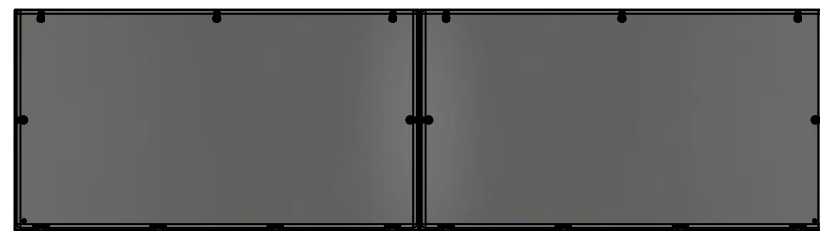
	Description	Status
	Rounded Edge Copper Bar 1/4" x 2"	(NULL)
	Part Number Numéro Pièce	Rev.
	1412BTSSCU11605DTBAR5-P 0	11
		18

This drawing is confidential and must not be reproduced or used without the consent of EXM

Ce dessin est confidentiel et ne doit pas être reproduit ou utilisé sans le consentement de EXM



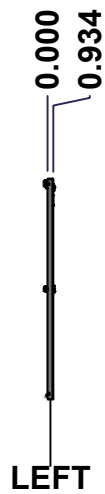
TOP



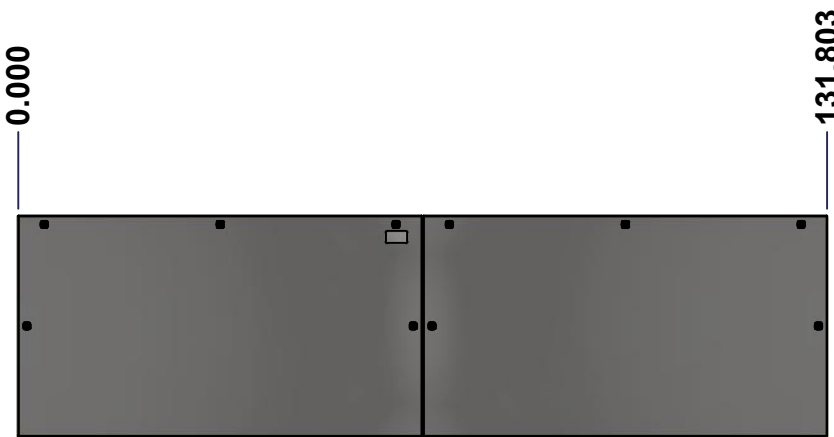
BACK



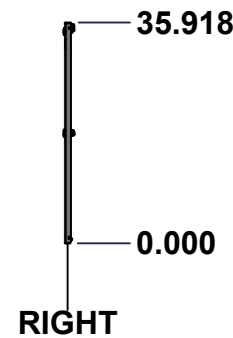
BOTTOM



LEFT

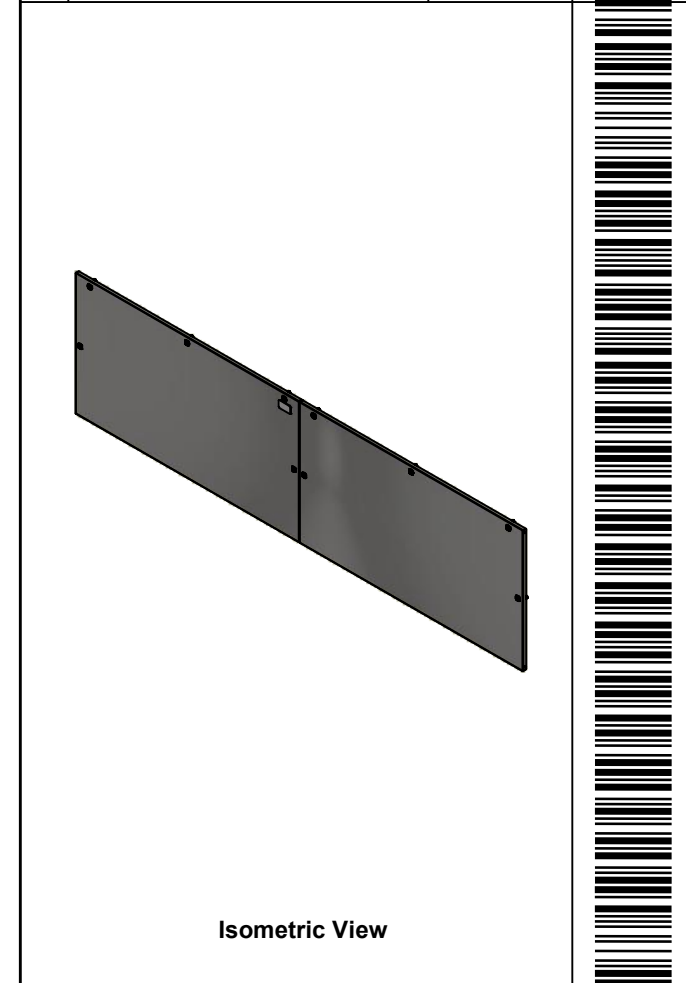


FRONT




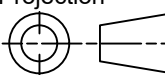
RIGHT

No.	Revisions	Date	By/Par



Isometric View



 Tél: (450) 979-4373 Fax: (450) 979-4626 www.exmweb.com		Flatness Aplatissement Max 3.0mm Projection 
Customer Client	Date	
Drawn By Dessiné Par	BoxCad: BoxCad	Date 2022-11-03
Material Matière	14 Ga Stainless Steel 304 (1.7mm)	
Color Couleur	Unpainted	Finish Fini Brushed
Description 1412BTSSCU 36" x 132" Cover		Detail Rev.
Part Number Numéro Pièce	Rev. 0	12 / 18

SEE BILL OF MATERIAL ON LAST PAGE

1412BTSSCU11605DTC

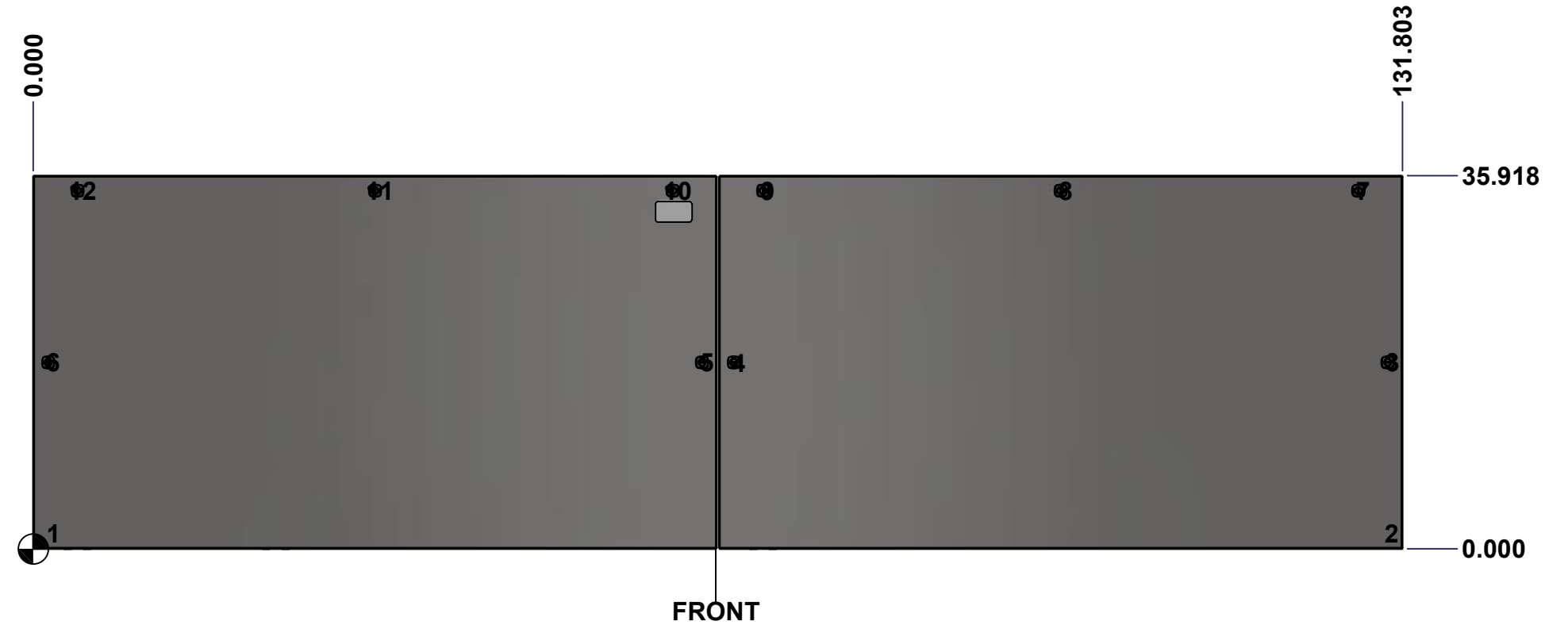
This drawing is confidential and must not be reproduced or used without the consent of Eurobox

Ce dessin est confidentiel et ne doit pas être reproduit ou utilisé sans le consentement de Eurobox

STANDARD FEATURES ARE NOT LISTED IN THIS HOLE TABLE

HOLE TABLE - FRONT VIEW (CUSTOM FEATURE ONLY)

CUT-OUT	XDIM	YDIM	DESCRIPTION
1	1.500	1.486	GND STUD M6 x 16mm (Inside)
2	130.303	1.486	GND STUD M6 x 16mm (Inside)
3	130.379	17.959	LOCK 880 SCQ4-SLSS6 @ 0.0°
4	67.424	17.959	LOCK 880 SCQ4-SLSS6 @ 180.0°
5	64.379	17.959	LOCK 880 SCQ4-SLSS6 @ 0.0°
6	1.424	17.959	LOCK 880 SCQ4-SLSS6 @ 180.0°
7	127.553	34.494	LOCK 880 SCQ4-SLSS6 @ 90.0°
8	98.902	34.494	LOCK 880 SCQ4-SLSS6 @ 90.0°
9	70.250	34.494	LOCK 880 SCQ4-SLSS6 @ 90.0°
10	61.553	34.494	LOCK 880 SCQ4-SLSS6 @ 90.0°
11	32.902	34.494	LOCK 880 SCQ4-SLSS6 @ 90.0°
12	4.250	34.494	LOCK 880 SCQ4-SLSS6 @ 90.0°

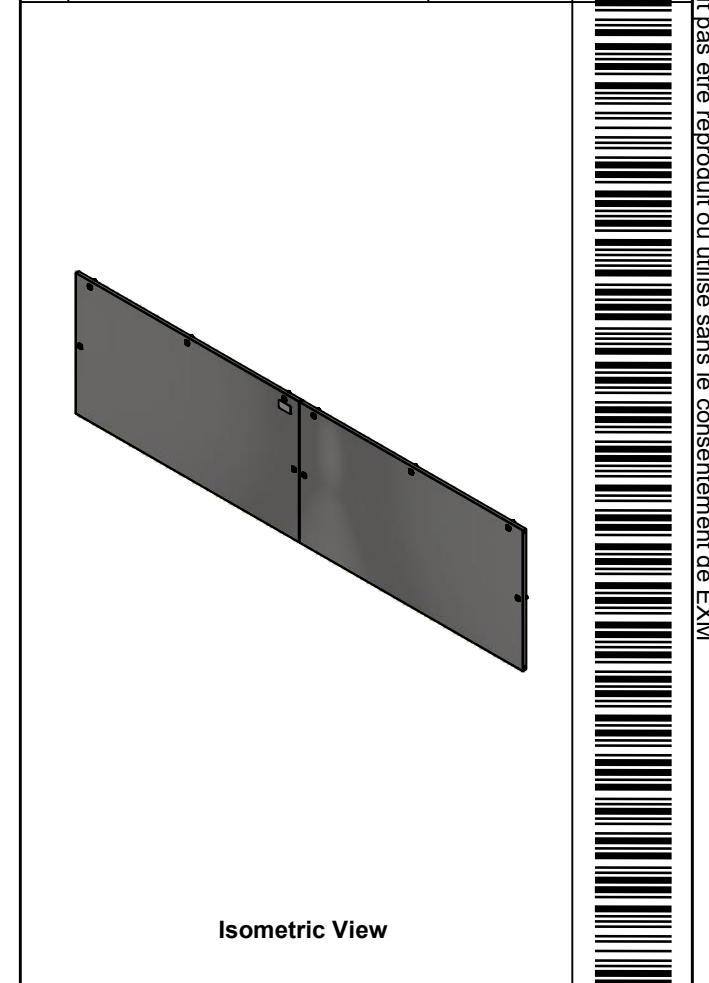


	Description	Status	
	1412BTSSCU 36" x 132" Cover	(NULL)	
	Part Number Numéro Pièce	Rev.	
	1412BTSSCU11605DTC	0	13 18


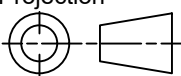
This drawing is confidential and must not be reproduced or used without the consent of EXM

Ce dessin est confidentiel et ne doit pas être reproduit ou utilisé sans le consentement de EXM

No.	Revisions	Date	By/Par



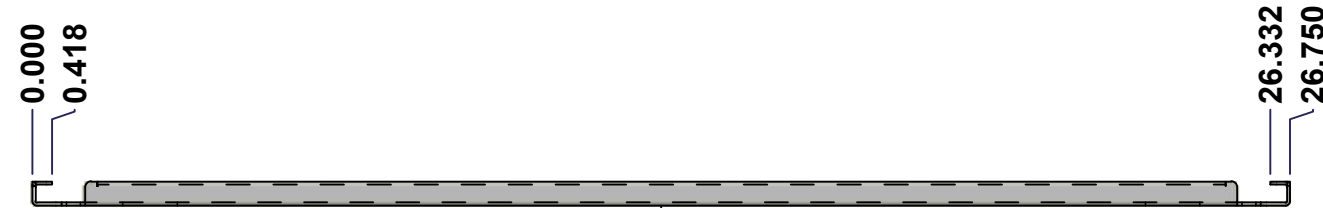
Isometric View

 Tél: (450) 979-4373 Fax: (450) 979-4626 www.exmweb.com		Flatness Aplatissement Max 3.0mm Projection 
Customer Client	Date	
Drawn By Dessiné Par	BoxCad: BoxCad	Date 2022-11-03
Material Matière	14 Ga Stainless Steel 304 (1.7mm)	
Color Couleur	Unpainted	Finish Fini Brushed
Description		Detail Rev.
1412BTSSCU 36" x 132" Cover		
Part Number Numéro Pièce	Rev.	14
1412BTSSCU11605DTC	0	18

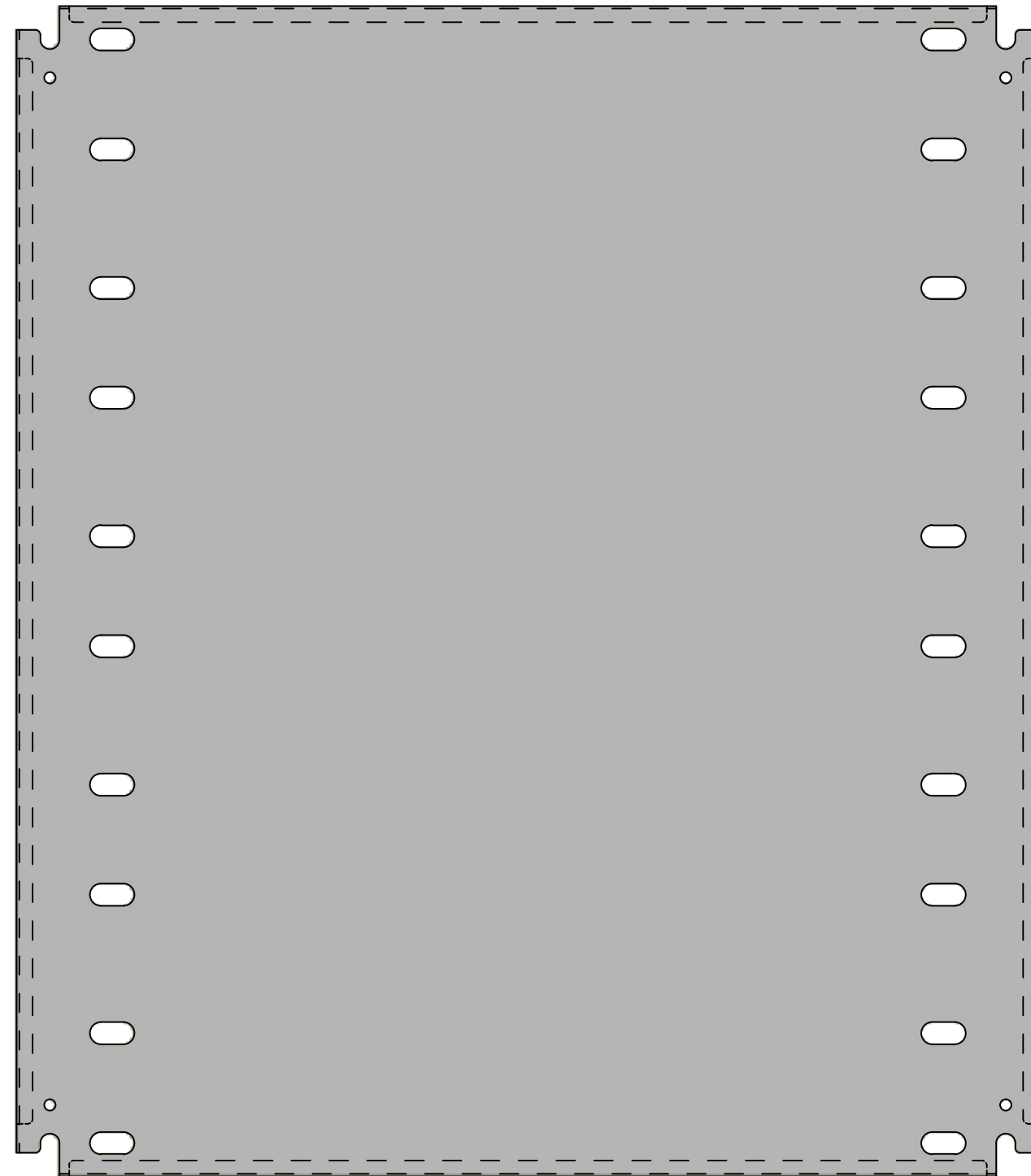
Qty	Part Name	Rev	Description
2	1412BTSSCU11605DTG	0	1412BTSSCU 36" x 132" Cover Gasket
8	STK-K-09850	6	5412 ESS Hinge with 2 Captive Hinge Pins
2	STK-Q-16095	0	M6 x 16mm Stainless Steel Ground Stud
1	STK-S-00100	0	3.5" x 2" Silver Milar Flexcon Sticker
1	1412BTSSCU11605DTC-P	0	1412BTSSCU 36" x 66" Left Cover Part
1	1412BTSSCU11605DTF-P	0	1412BTSSCU 36" x 132" Right Cover Part
10	880 SCQ4-SLSS6	7	5412 ESS 1/4 Turn Lock
Parts List			

This drawing is confidential and must not be reproduced or used without the consent of EXM

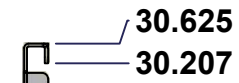
Ce dessin est confidentiel et ne doit pas être reproduit ou utilisé sans le consentement de EXM



TOP



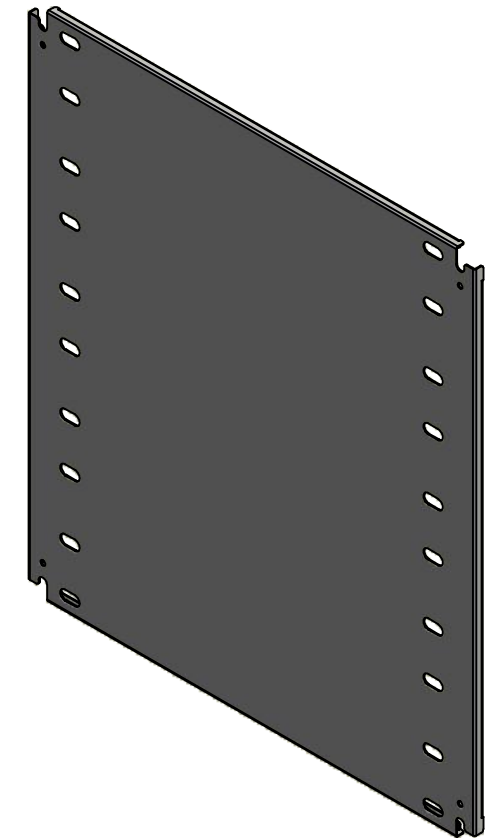
FRONT



RIGHT



No.	Revisions	Date	By/Par



Isometric View



Tél: (450) 979-4373
 Fax: (450) 979-4626
www.exmweb.com

Flatness
Aplatissement
Max 3.0mm
Projection

Customer Client	Date
Drawn By / Dessiné Par: BoxCad: BoxCad	Date: 2022-11-03
Material / Matière: 14 Ga Cold Rolled A1008 CS Type B (1.7mm)	
Color / Couleur: White RAL9003	Finish / Fini: Smooth
Description: 1412BTSSCU 30.625" x 26.75" Left Inner Panel	
Part Number / Numéro Pièce: 1412BTSSCU11605DTIP1	Detail Rev. / Rev.: 15

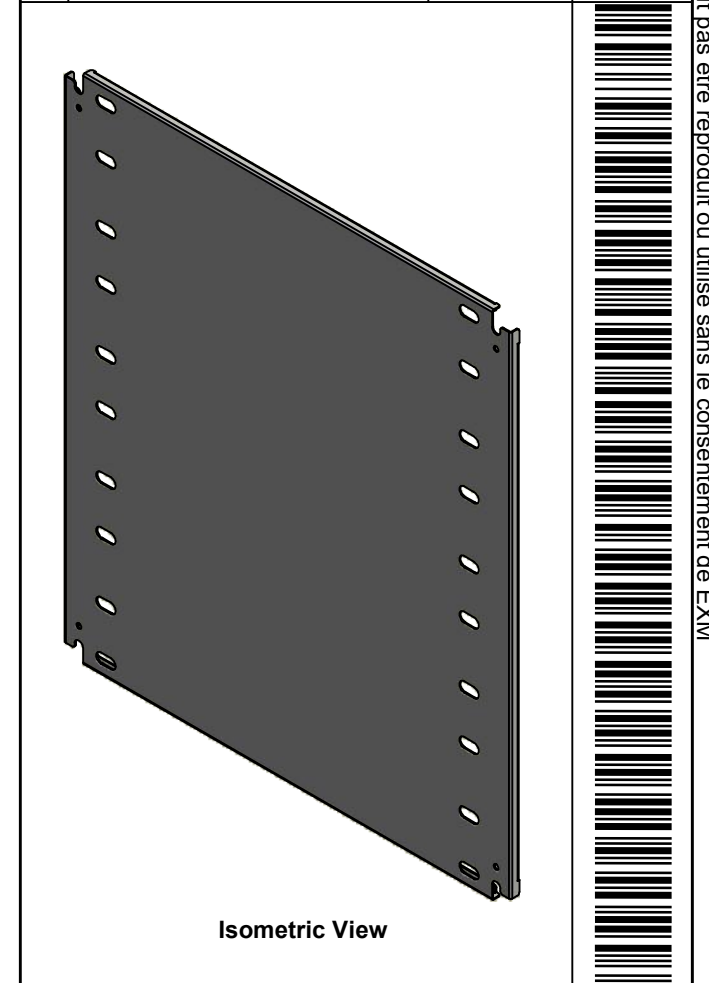
SEE BILL OF MATERIAL ON LAST PAGE


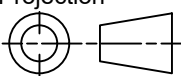
Rev. 0	15
	18

This drawing is confidential and must not be reproduced or used without the consent of EXM

Ce dessin est confidentiel et ne doit pas être reproduit ou utilisé sans le consentement de EXM

No.	Revisions	Date	By/Par



 Tél: (450) 979-4373 Fax: (450) 979-4626 www.exmweb.com	Flatness Aplatissement Max 3.0mm
	Projection 
Customer Client	Date
Drawn By Dessiné Par BoxCad: BoxCad	Date 2022-11-03
Material Matière 14 Ga Cold Rolled A1008 CS Type B (1.7mm)	
Color Couleur White RAL9003	Finish Fini Smooth
Description 1412BTSSCU 30.625" x 26.75" Left Inner Panel	
Part Number Numéro Pièce 1412BTSSCU11605DTIP1	Detail Rev. Rev. 16 0

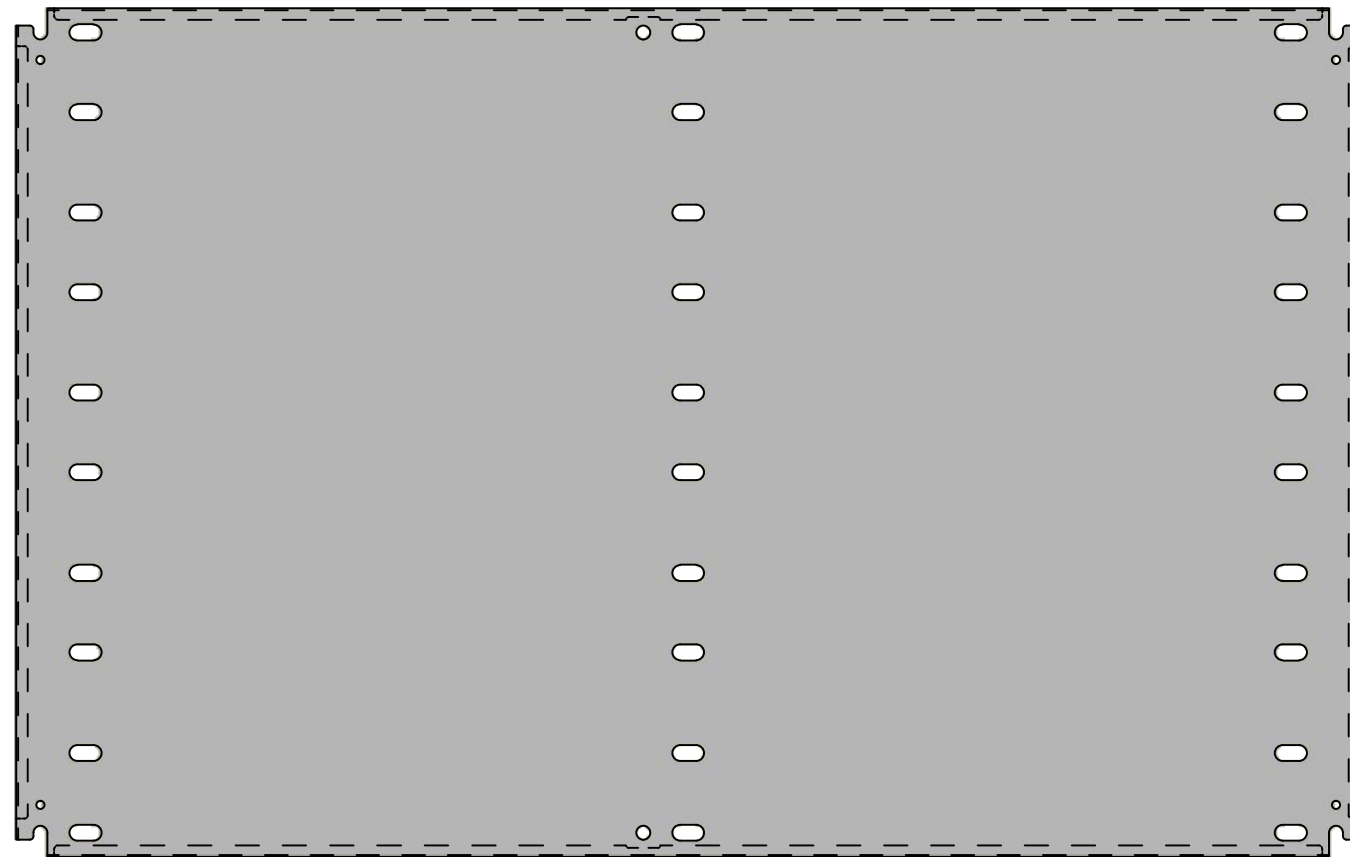
Qty	Part Number	Rev	Description
1	STK-P-02401S	0	Powder Paint (White / Smooth)
1	1412BTSSCU11605DTIP1-P	0	1412BTSSCU 30.625" x 132" Left Inner Panel Part
Parts List			

This drawing is confidential and must not be reproduced or used without the consent of EXM

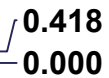
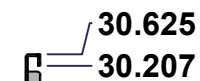
Ce dessin est confidentiel et ne doit pas être reproduit ou utilisé sans le consentement de EXM



TOP

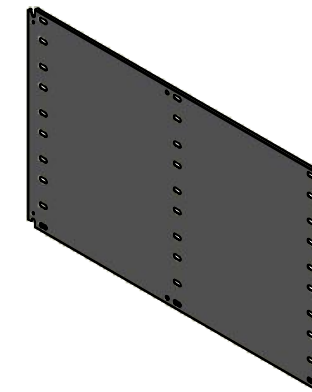


FRONT

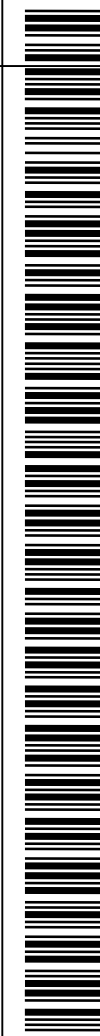


RIGHT

No.	Revisions	Date	By/Par



Isometric View



Tél: (450) 979-4373
 Fax: (450) 979-4626
www.exmweb.com

Flatness
Aplatissement
Max 3.0mm
Projection

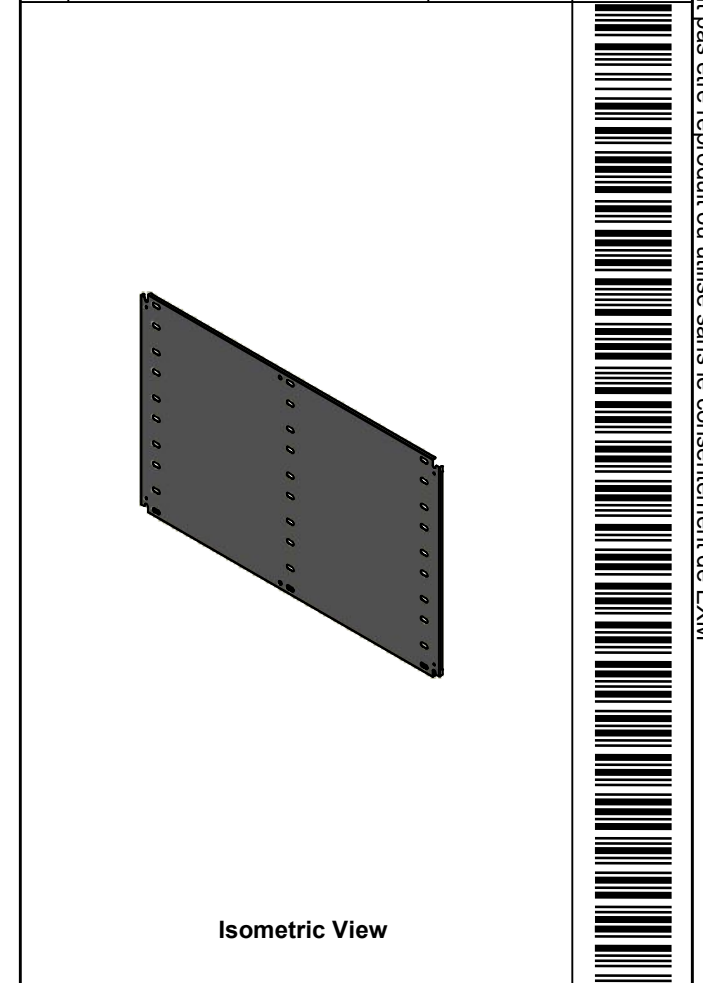
Customer Client	Date
Drawn By Dessiné Par BoxCad: BoxCad	Date 2022-11-03
Material Matière 14 Ga Cold Rolled A1008 CS Type B (1.7mm)	
Color Couleur White RAL9003	Finish Fini Smooth
Description 1412BTSSCU 30.625" x 48.5" Right Inner Panel	Detail Rev.
Part Number Numéro Pièce 1412BTSSCU11605DTIP2	Rev. 0


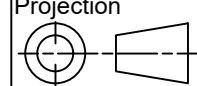
SEE BILL OF MATERIAL ON LAST PAGE

This drawing is confidential and must not be reproduced or used without the consent of EXM

Ce dessin est confidentiel et ne doit pas être reproduit ou utilisé sans le consentement de EXM

No.	Revisions	Date	By/Par



 Tél: (450) 979-4373 Fax: (450) 979-4626 www.exmweb.com	Flatness Aplatissement Max 3.0mm
	Projection 
Customer Client	Date
Drawn By Dessiné Par BoxCad: BoxCad	Date 2022-11-03
Material Matière 14 Ga Cold Rolled A1008 CS Type B (1.7mm)	
Color Couleur White RAL9003	Finish Fini Smooth
Description 1412BTSSCU 30.625" x 48.5" Right Inner Panel	
Part Number Numéro Pièce 1412BTSSCU11605DTIP2	Detail Rev. Rev. 18 0

Qty	Part Number	Rev	Description
1	STK-P-02401S	0	Powder Paint (White / Smooth)
1	1412BTSSCU11605DTIP2-P	0	1412BTSSCU 30.625" x 132" Right Inner Panel Part
Parts List			