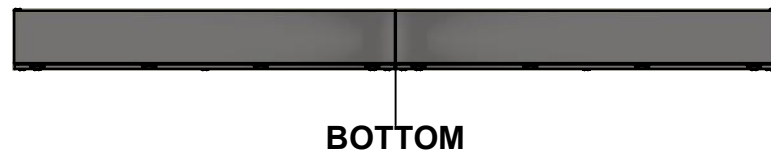
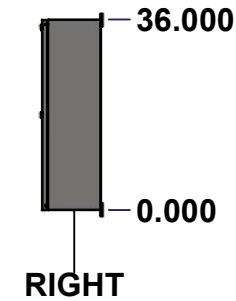
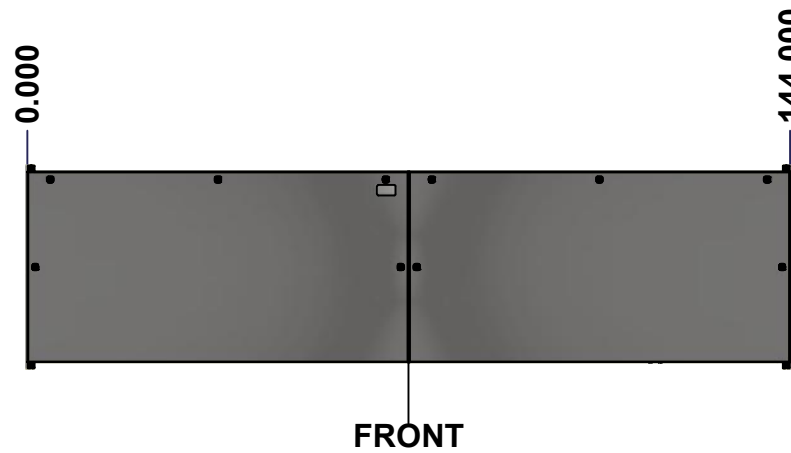
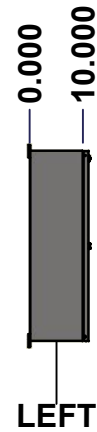
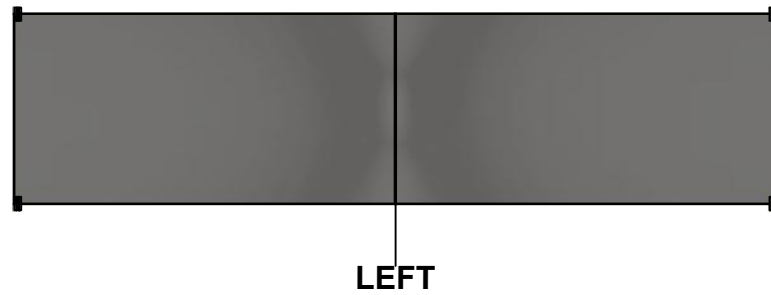
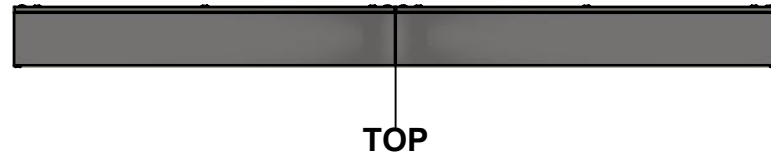
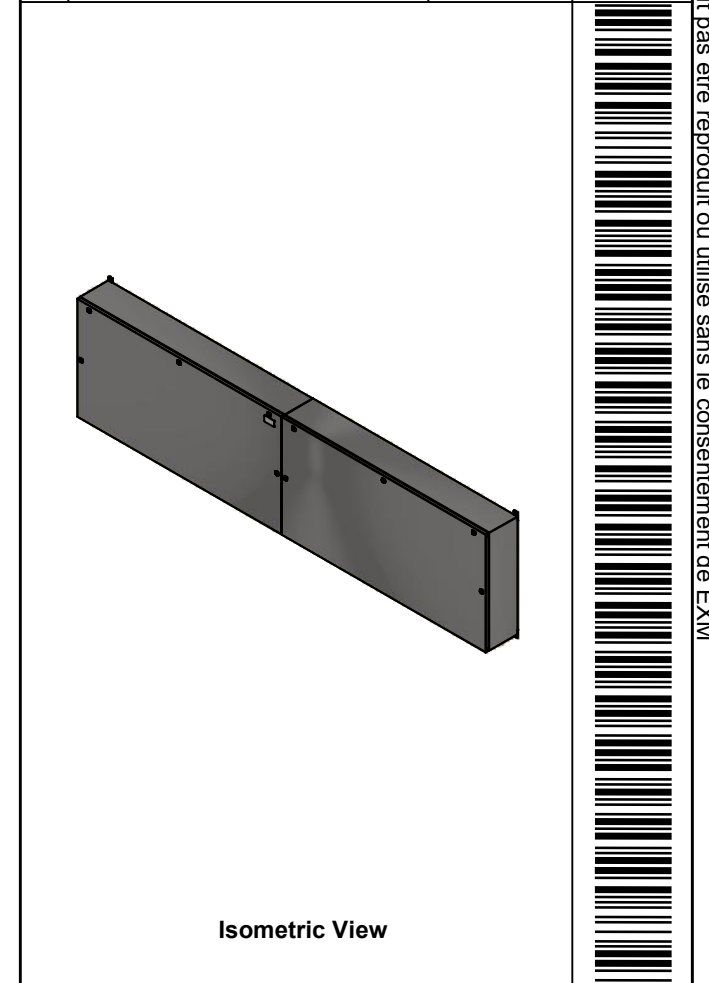



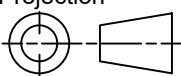
This drawing is confidential and must not be reproduced or used without the consent of EXM

Ce dessin est confidentiel et ne doit pas être reproduit ou utilisé sans le consentement de EXM



No.	Revisions	Date	By/Par



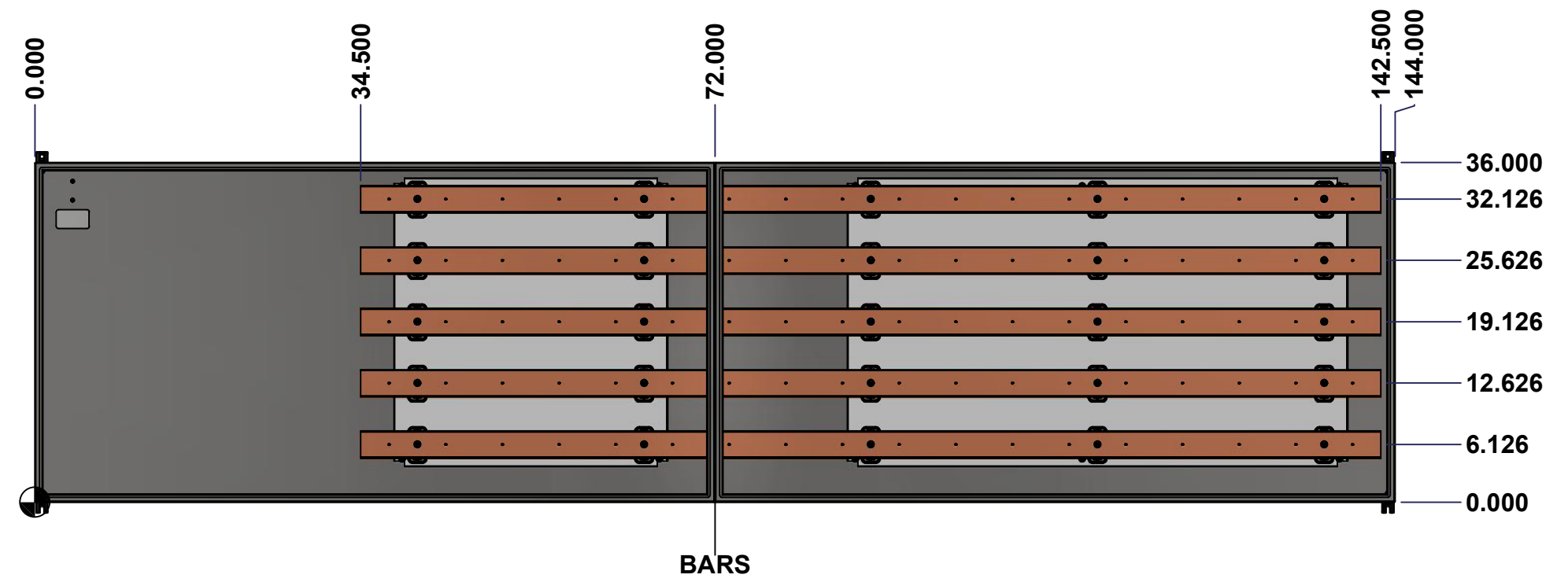
 Tél: (450) 979-4373 Fax: (450) 979-4626 www.exmweb.com		Flatness Aplatissement Max 3.0mm Projection 
Customer Client	Date	
Drawn By Dessiné Par	BoxCad: BoxCad	Date 2022-11-03
Material Matière	14 Ga Stainless Steel 304 (1.7mm)	
Color Couleur	Unpainted	Finish Fini Brushed
Description	Detail Rev.	
1412BTSSCU 800A - 5Wires x 144" Assembly		
Part Number Numéro Pièce	Rev.	1
1412BTSSCU12805DT	0	18

SEE BILL OF MATERIAL ON LAST PAGE

This drawing is confidential and must not be reproduced or used without the consent of Eurobox

Ce dessin est confidentiel et ne doit pas être reproduit ou utilisé sans le consentement de Eurobox

STANDARD FEATURES ARE NOT LISTED IN THIS HOLE TABLE



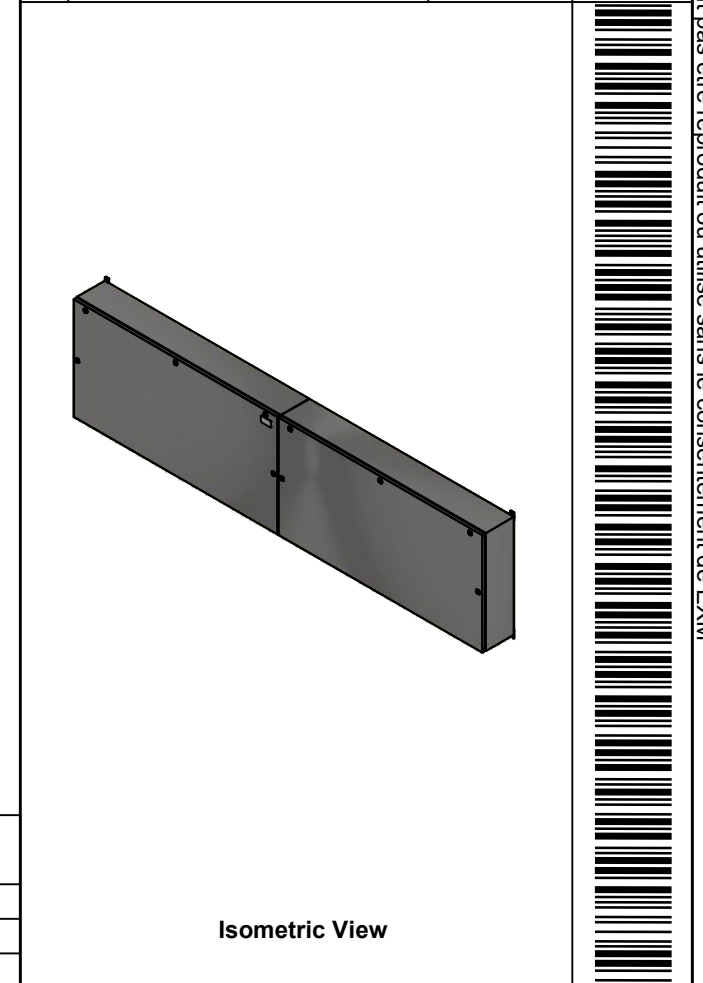
	Description 1412BTSSCU 800A - 5Wires x 144" Assembly		Status (NULL)	
	Part Number Numéro Pièce 1412BTSSCU12805DT		Rev. 0	2 18

This drawing is confidential and must not be reproduced or used without the consent of EXM

Ce dessin est confidentiel et ne doit pas être reproduit ou utilisé sans le consentement de EXM

NOTE	
ITEM	DESCRIPTION
1	NEMA 4X Enclosure
2	C/W Standard ground studs on box and cover
3	W/O Standard door stiffener
4	C/W Special inner panel (Sold separately)
5	C/W Standard inner panel mounting studs

No.	Revisions	Date	By/Par



8	STK-Q-04051-07	8	M6 x 7mm Stainless Steel Hexagon Socket Head Machine Screw with Nyseal
1	885 ESMF2	0	885 ESMF2 Stainless Steel Mounting Feet Kit
1	1412BTSSCU12805DTIP2	0	1412BTSSCU 30.625" x 53" Right Inner Panel
1	1412BTSSCU12805DTBA R1-P	0	Rounded Edge Copper Bar 1/4" x 3"
1	1412BTSSCU12805DTBA R2-P	0	Rounded Edge Copper Bar 1/4" x 3"
1	1412BTSSCU12805DTBA R3-P	0	Rounded Edge Copper Bar 1/4" x 3"
1	1412BTSSCU12805DTBA R4-P	0	Rounded Edge Copper Bar 1/4" x 3"
1	1412BTSSCU12805DTBA R5-P	0	Rounded Edge Copper Bar 1/4" x 3"
1	1412BTSSCU12805DTIP1	0	1412BTSSCU 30.625" x 29" Left Inner Panel
25	STK-A-67400	0	Buss Bar Insulator Kit
1	STK-K-01800	5	5412 ES Accessory Kit
35	STK-Q-07310	2	Flange Lock Nut M8
10	STK-Q-07610	8	M8 Plastic Spacer 22.2mm
1	1412BTSSCU12805DTB	0	1412BTSSCU 36" x 144" x 10" Body
1	1412BTSSCU12805DTC	0	1412BTSSCU 36" x 144" Cover
Qty	Part Number	Rev	Description
Parts List			

PACKING		
ITEM	QTY	DESCRIPTION
Cardboard sleeve	2	Top and Bottom
Cardboard strip	2	Between back of enclosure and inner panel
Plastic bag	1	To protect cover surface and inside gasket
Cardboard corner	4	To reinforced for the plastic strap tightening
Plastic strap - Black	2	To Squeeze 2 cardboard sleeve together
Packaging label	3	White label with PN
Plastic strap- Green	2	To secure the enclosure to the wood pallet
Wood Pallet	1	2" deeper and 3" larger than enclosure size

Tél: (450) 979-4373
Fax: (450) 979-4626
www.exmweb.com

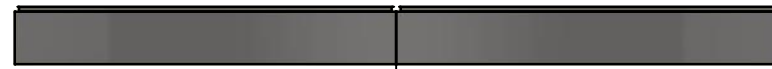
Flatness
Aplatissement
Max 3.0mm

Projection

Customer Client	Date
Drawn By Dessiné Par	Date 2022-11-03
Material Matière	BoxCad: BoxCad 14 Ga Stainless Steel 304 (1.7mm)
Color Couleur	Unpainted Finish Fini
Description	Detail Rev.
Part Number Numéro Pièce	Rev. 3
1412BTSSCU12805DT	0

This drawing is confidential and must not be reproduced or used without the consent of EXM

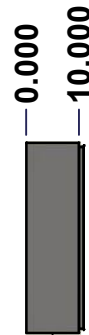
Ce dessin est confidentiel et ne doit pas être reproduit ou utilisé sans le consentement de EXM



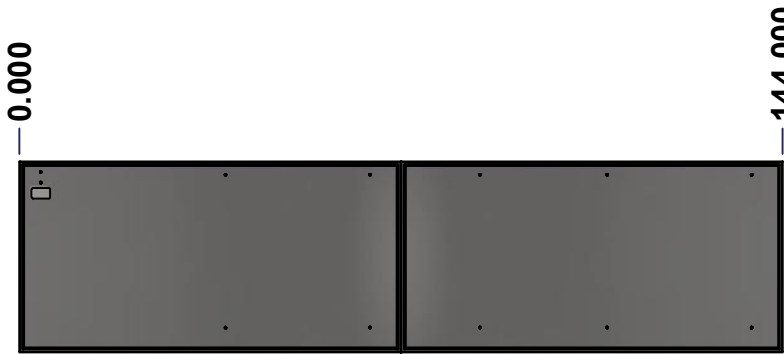
TOP



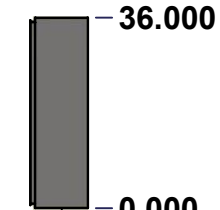
BACK



LEFT



FRONT

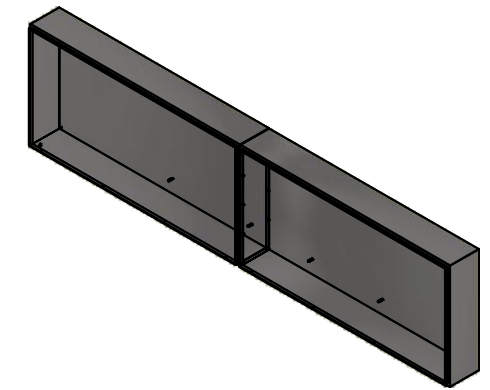


RIGHT



BOTTOM

No.	Revisions	Date	By/Par



Isometric View

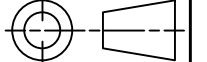


Tél: (450) 979-4373
 Fax: (450) 979-4626
www.exmweb.com

Flatness
Aplatissement

Max 3.0mm

Projection



Customer Client	Date
Drawn By Dessiné Par BoxCad: BoxCad	Date 2022-11-03
Material Matière 14 Ga Stainless Steel 304 (1.7mm)	
Color Couleur Unpainted	Finish Fini Brushed
Description 1412BTSSCU 36" x 144" x 10" Body	Detail Rev.
Part Number Numéro Pièce 1412BTSSCU12805DTB	Rev. 0

SEE BILL OF MATERIAL ON LAST PAGE

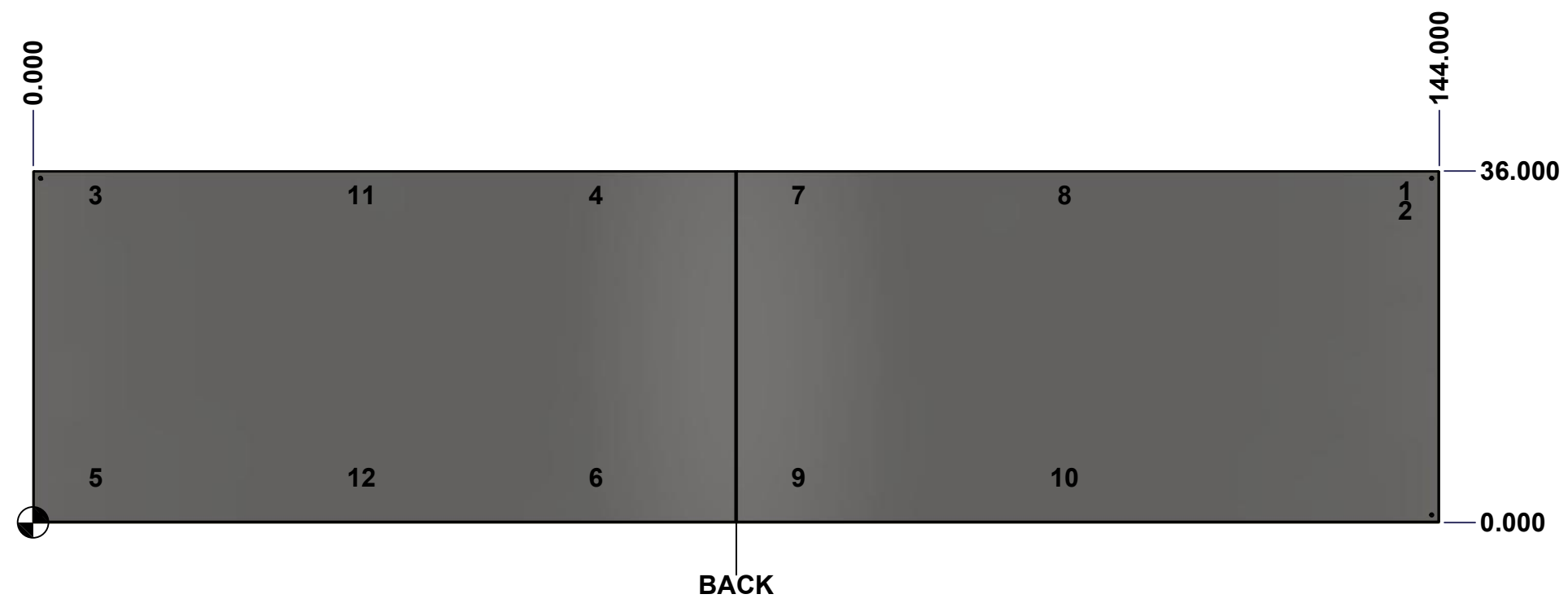
This drawing is confidential and must not be reproduced or used without the consent of Eurobox

Ce dessin est confidentiel et ne doit pas être reproduit ou utilisé sans le consentement de Eurobox

STANDARD FEATURES ARE NOT LISTED IN THIS HOLE TABLE

HOLE TABLE - BACK VIEW (CUSTOM FEATURE ONLY)

CUT-OUT	XDIM	YDIM	DESCRIPTION
1	140.000	34.000	GND STUD M8 x 35mm (Inside)
2	140.000	32.000	GND STUD M8 x 35mm (Inside)
3	5.875	33.500	IP STUD M8 x 35mm (Inside)
4	57.125	33.500	IP STUD M8 x 35mm (Inside)
5	5.875	4.625	IP STUD M8 x 35mm (Inside)
6	57.125	4.625	IP STUD M8 x 35mm (Inside)
7	77.875	33.500	IP STUD M8 x 35mm (Inside)
8	105.125	33.500	IP STUD M8 x 35mm (Inside)
9	77.875	4.625	IP STUD M8 x 35mm (Inside)
10	105.125	4.625	IP STUD M8 x 35mm (Inside)
11	33.125	33.500	IP STUD M8 x 35mm (Inside)
12	33.125	4.625	IP STUD M8 x 35mm (Inside)

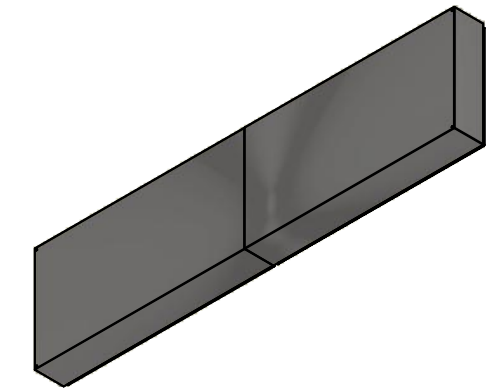


	Description	Status
	1412BTSSCU 36" x 144" x 10" Body	(NULL)
	Part Number Numéro Pièce	Rev.
	1412BTSSCU12805DTB	0 / 5
		18

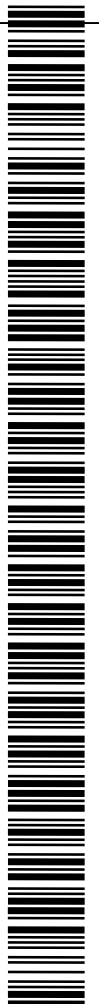
This drawing is confidential and must not be reproduced or used without the consent of EXM

Ce dessin est confidentiel et ne doit pas être reproduit ou utilisé sans le consentement de EXM

No.	Revisions	Date	By/Par



Isometric View




 Tél: (450) 979-4373
 Fax: (450) 979-4626
www.exmweb.com

Flatness / Aplatissement: Max 3.0mm
 Projection: 

1	1412BTSSCU12805DTB-P	0	1412BTSSCU 36" x 144" x 10" Left Body Part
1	1412BTSSCU12805DTE-P	0	1412BTSSCU 36" x 144" x 10" Right Body Part
1	STK-G-00701	0	1" x 1/4" Self-Adhesive Neoprene Gasket
10	STK-Q-00260	1	M6 x 13mm Carriage Bolt
10	STK-Q-07220	1	M6 Nylon Insert Lock Nut
12	STK-Q-16020	1	Stud M8 x 35mm Stainless Steel
2	STK-Q-16095	0	M6 x 16mm Stainless Steel Ground Stud
1	STK-S-00100	0	3.5" x 2" Silver Milar Flexcon Sticker
Qty	Part Number	Rev	Description
Parts List			

Customer / Client:
 Date:
 Drawn By / Dessiné Par: BoxCad: BoxCad
 Date: 2022-11-03

Material / Matière: 14 Ga Stainless Steel 304 (1.7mm)

Color / Couleur: Unpainted
 Finish / Fini: Brushed

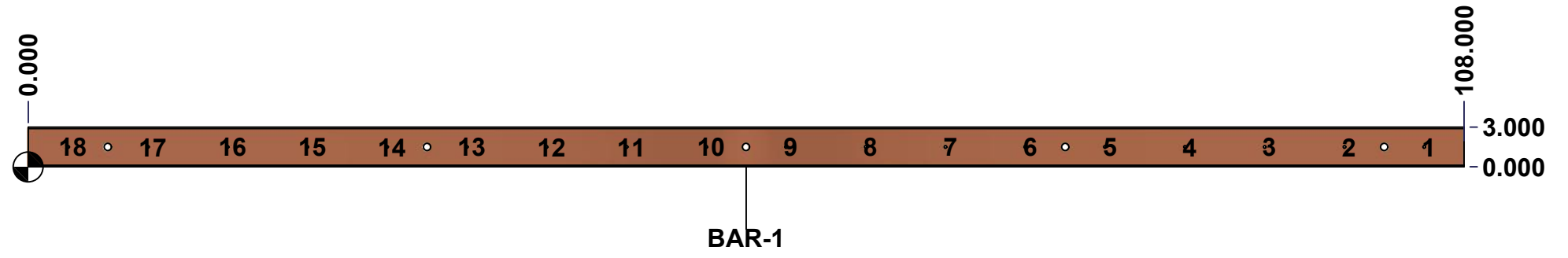
Description: 1412BTSSCU 36" x 144" x 10" Body
 Detail Rev.:

Part Number / Numéro Pièce: **1412BTSSCU12805DTB**
 Rev. **0**
 6 / 18

This drawing is confidential and must not be reproduced or used without the consent of Eurobex

Ce dessin est confidentiel et ne doit pas être reproduit ou utilisé sans le consentement de Eurobex

STANDARD FEATURES ARE NOT LISTED IN THIS HOLE TABLE			
HOLE TABLE - FRONT VIEW (CUSTOM FEATURE ONLY)			
CUT-OUT	XDIM	YDIM	DESCRIPTION
1	105.000	1.500	RND Ø0.201 THREAD 1/4-20 UNC
2	99.000	1.500	RND Ø0.201 THREAD 1/4-20 UNC
3	93.000	1.500	RND Ø0.201 THREAD 1/4-20 UNC
4	87.000	1.500	RND Ø0.201 THREAD 1/4-20 UNC
5	81.000	1.500	RND Ø0.201 THREAD 1/4-20 UNC
6	75.000	1.500	RND Ø0.201 THREAD 1/4-20 UNC
7	69.000	1.500	RND Ø0.201 THREAD 1/4-20 UNC
8	63.000	1.500	RND Ø0.201 THREAD 1/4-20 UNC
9	57.000	1.500	RND Ø0.201 THREAD 1/4-20 UNC
10	51.000	1.500	RND Ø0.201 THREAD 1/4-20 UNC
11	45.000	1.500	RND Ø0.201 THREAD 1/4-20 UNC
12	39.000	1.500	RND Ø0.201 THREAD 1/4-20 UNC
13	33.000	1.500	RND Ø0.201 THREAD 1/4-20 UNC
14	27.000	1.500	RND Ø0.201 THREAD 1/4-20 UNC
15	21.000	1.500	RND Ø0.201 THREAD 1/4-20 UNC
16	15.000	1.500	RND Ø0.201 THREAD 1/4-20 UNC
17	9.000	1.500	RND Ø0.201 THREAD 1/4-20 UNC
18	3.000	1.500	RND Ø0.201 THREAD 1/4-20 UNC

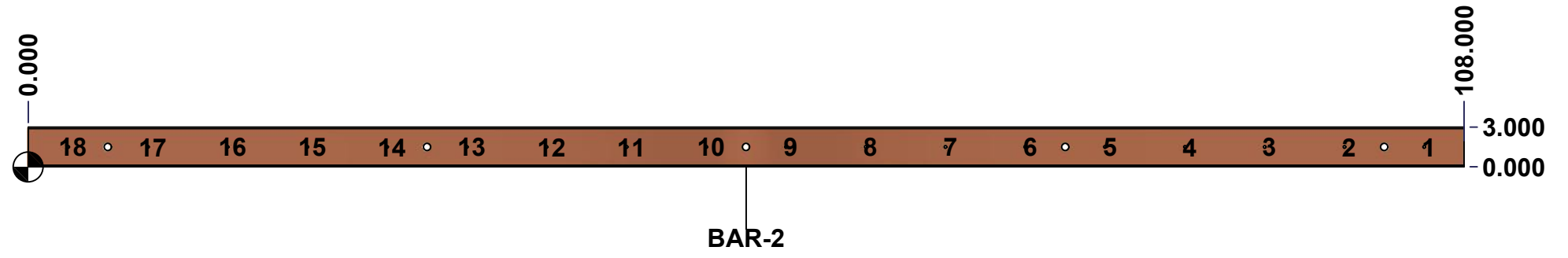


	Description	Status	
	Rounded Edge Copper Bar 1/4" x 3"	(NULL)	
	Part Number	Rev.	7
	Numéro Pièce		
	1412BTSSCU12805DTBAR1-P 0		18

This drawing is confidential and must not be reproduced or used without the consent of Eurobex

Ce dessin est confidentiel et ne doit pas être reproduit ou utilisé sans le consentement de Eurobex

STANDARD FEATURES ARE NOT LISTED IN THIS HOLE TABLE			
HOLE TABLE - FRONT VIEW (CUSTOM FEATURE ONLY)			
CUT-OUT	XDIM	YDIM	DESCRIPTION
1	105.000	1.500	RND Ø0.201 THREAD 1/4-20 UNC
2	99.000	1.500	RND Ø0.201 THREAD 1/4-20 UNC
3	93.000	1.500	RND Ø0.201 THREAD 1/4-20 UNC
4	87.000	1.500	RND Ø0.201 THREAD 1/4-20 UNC
5	81.000	1.500	RND Ø0.201 THREAD 1/4-20 UNC
6	75.000	1.500	RND Ø0.201 THREAD 1/4-20 UNC
7	69.000	1.500	RND Ø0.201 THREAD 1/4-20 UNC
8	63.000	1.500	RND Ø0.201 THREAD 1/4-20 UNC
9	57.000	1.500	RND Ø0.201 THREAD 1/4-20 UNC
10	51.000	1.500	RND Ø0.201 THREAD 1/4-20 UNC
11	45.000	1.500	RND Ø0.201 THREAD 1/4-20 UNC
12	39.000	1.500	RND Ø0.201 THREAD 1/4-20 UNC
13	33.000	1.500	RND Ø0.201 THREAD 1/4-20 UNC
14	27.000	1.500	RND Ø0.201 THREAD 1/4-20 UNC
15	21.000	1.500	RND Ø0.201 THREAD 1/4-20 UNC
16	15.000	1.500	RND Ø0.201 THREAD 1/4-20 UNC
17	9.000	1.500	RND Ø0.201 THREAD 1/4-20 UNC
18	3.000	1.500	RND Ø0.201 THREAD 1/4-20 UNC

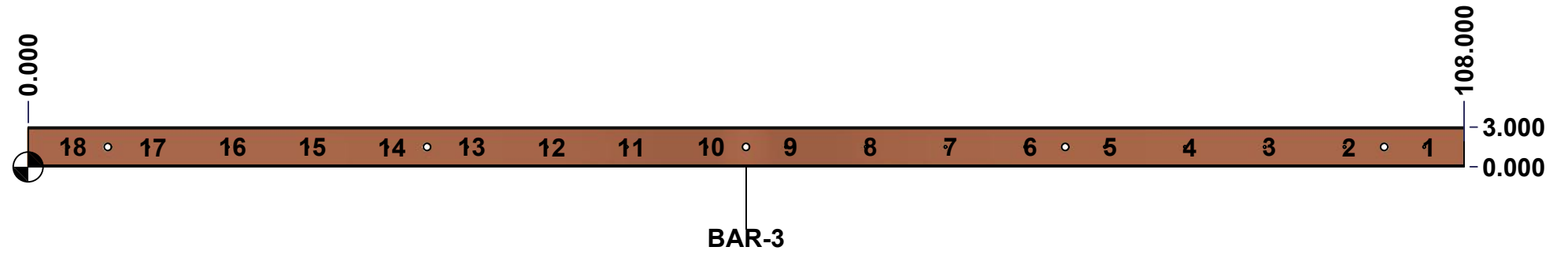


	Description	Status
	Rounded Edge Copper Bar 1/4" x 3"	(NULL)
	Part Number Numéro Pièce	Rev.
	1412BTSSCU12805DTBAR2-P 0	8
		18

This drawing is confidential and must not be reproduced or used without the consent of Eurobex

Ce dessin est confidentiel et ne doit pas être reproduit ou utilisé sans le consentement de Eurobex

STANDARD FEATURES ARE NOT LISTED IN THIS HOLE TABLE			
HOLE TABLE - FRONT VIEW (CUSTOM FEATURE ONLY)			
CUT-OUT	XDIM	YDIM	DESCRIPTION
1	105.000	1.500	RND Ø0.201 THREAD 1/4-20 UNC
2	99.000	1.500	RND Ø0.201 THREAD 1/4-20 UNC
3	93.000	1.500	RND Ø0.201 THREAD 1/4-20 UNC
4	87.000	1.500	RND Ø0.201 THREAD 1/4-20 UNC
5	81.000	1.500	RND Ø0.201 THREAD 1/4-20 UNC
6	75.000	1.500	RND Ø0.201 THREAD 1/4-20 UNC
7	69.000	1.500	RND Ø0.201 THREAD 1/4-20 UNC
8	63.000	1.500	RND Ø0.201 THREAD 1/4-20 UNC
9	57.000	1.500	RND Ø0.201 THREAD 1/4-20 UNC
10	51.000	1.500	RND Ø0.201 THREAD 1/4-20 UNC
11	45.000	1.500	RND Ø0.201 THREAD 1/4-20 UNC
12	39.000	1.500	RND Ø0.201 THREAD 1/4-20 UNC
13	33.000	1.500	RND Ø0.201 THREAD 1/4-20 UNC
14	27.000	1.500	RND Ø0.201 THREAD 1/4-20 UNC
15	21.000	1.500	RND Ø0.201 THREAD 1/4-20 UNC
16	15.000	1.500	RND Ø0.201 THREAD 1/4-20 UNC
17	9.000	1.500	RND Ø0.201 THREAD 1/4-20 UNC
18	3.000	1.500	RND Ø0.201 THREAD 1/4-20 UNC

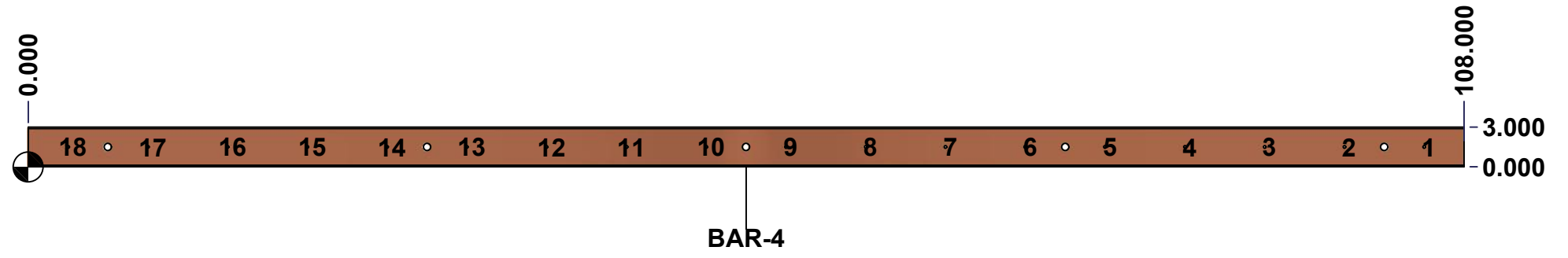


	Description	Status	
	Rounded Edge Copper Bar 1/4" x 3"	(NULL)	
	Part Number	Rev.	9
	Numéro Pièce		
	1412BTSSCU12805DTBAR3-P 0		18

This drawing is confidential and must not be reproduced or used without the consent of Eurobex

Ce dessin est confidentiel et ne doit pas être reproduit ou utilisé sans le consentement de Eurobex

STANDARD FEATURES ARE NOT LISTED IN THIS HOLE TABLE			
HOLE TABLE - FRONT VIEW (CUSTOM FEATURE ONLY)			
CUT-OUT	XDIM	YDIM	DESCRIPTION
1	105.000	1.500	RND Ø0.201 THREAD 1/4-20 UNC
2	99.000	1.500	RND Ø0.201 THREAD 1/4-20 UNC
3	93.000	1.500	RND Ø0.201 THREAD 1/4-20 UNC
4	87.000	1.500	RND Ø0.201 THREAD 1/4-20 UNC
5	81.000	1.500	RND Ø0.201 THREAD 1/4-20 UNC
6	75.000	1.500	RND Ø0.201 THREAD 1/4-20 UNC
7	69.000	1.500	RND Ø0.201 THREAD 1/4-20 UNC
8	63.000	1.500	RND Ø0.201 THREAD 1/4-20 UNC
9	57.000	1.500	RND Ø0.201 THREAD 1/4-20 UNC
10	51.000	1.500	RND Ø0.201 THREAD 1/4-20 UNC
11	45.000	1.500	RND Ø0.201 THREAD 1/4-20 UNC
12	39.000	1.500	RND Ø0.201 THREAD 1/4-20 UNC
13	33.000	1.500	RND Ø0.201 THREAD 1/4-20 UNC
14	27.000	1.500	RND Ø0.201 THREAD 1/4-20 UNC
15	21.000	1.500	RND Ø0.201 THREAD 1/4-20 UNC
16	15.000	1.500	RND Ø0.201 THREAD 1/4-20 UNC
17	9.000	1.500	RND Ø0.201 THREAD 1/4-20 UNC
18	3.000	1.500	RND Ø0.201 THREAD 1/4-20 UNC

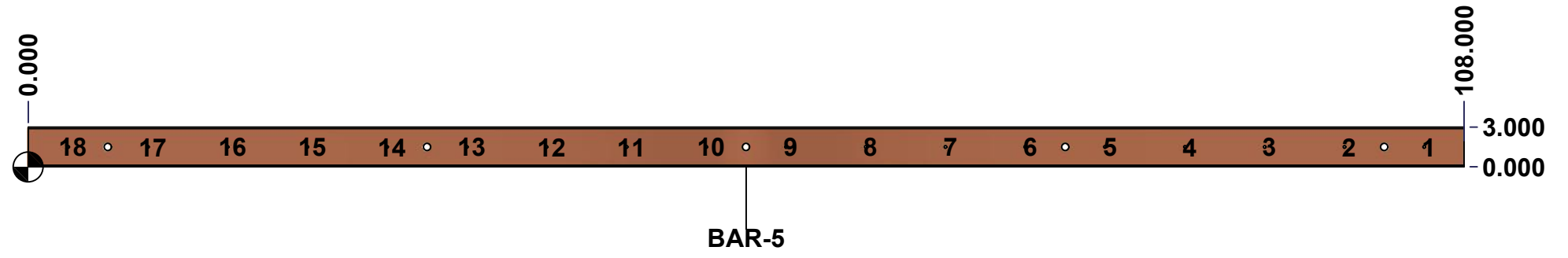


	Description	Status	
	Rounded Edge Copper Bar 1/4" x 3"	(NULL)	
	Part Number Numéro Pièce	Rev.	10
	1412BTSSCU12805DTBAR4-P 0		18

This drawing is confidential and must not be reproduced or used without the consent of Eurobex

Ce dessin est confidentiel et ne doit pas être reproduit ou utilisé sans le consentement de Eurobex

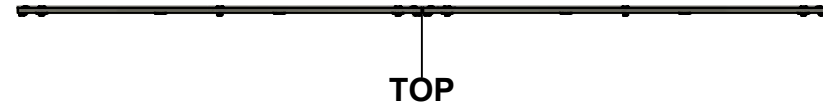
STANDARD FEATURES ARE NOT LISTED IN THIS HOLE TABLE			
HOLE TABLE - FRONT VIEW (CUSTOM FEATURE ONLY)			
CUT-OUT	XDIM	YDIM	DESCRIPTION
1	105.000	1.500	RND Ø0.201 THREAD 1/4-20 UNC
2	99.000	1.500	RND Ø0.201 THREAD 1/4-20 UNC
3	93.000	1.500	RND Ø0.201 THREAD 1/4-20 UNC
4	87.000	1.500	RND Ø0.201 THREAD 1/4-20 UNC
5	81.000	1.500	RND Ø0.201 THREAD 1/4-20 UNC
6	75.000	1.500	RND Ø0.201 THREAD 1/4-20 UNC
7	69.000	1.500	RND Ø0.201 THREAD 1/4-20 UNC
8	63.000	1.500	RND Ø0.201 THREAD 1/4-20 UNC
9	57.000	1.500	RND Ø0.201 THREAD 1/4-20 UNC
10	51.000	1.500	RND Ø0.201 THREAD 1/4-20 UNC
11	45.000	1.500	RND Ø0.201 THREAD 1/4-20 UNC
12	39.000	1.500	RND Ø0.201 THREAD 1/4-20 UNC
13	33.000	1.500	RND Ø0.201 THREAD 1/4-20 UNC
14	27.000	1.500	RND Ø0.201 THREAD 1/4-20 UNC
15	21.000	1.500	RND Ø0.201 THREAD 1/4-20 UNC
16	15.000	1.500	RND Ø0.201 THREAD 1/4-20 UNC
17	9.000	1.500	RND Ø0.201 THREAD 1/4-20 UNC
18	3.000	1.500	RND Ø0.201 THREAD 1/4-20 UNC



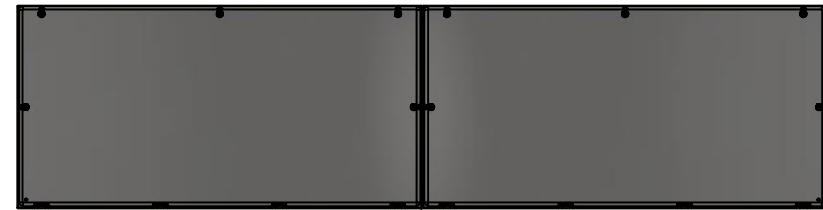
	Description	Status	
	Rounded Edge Copper Bar 1/4" x 3"	(NULL)	
	Part Number	Rev.	11
	Numéro Pièce		
	1412BTSSCU12805DTBAR5-P 0		18

This drawing is confidential and must not be reproduced or used without the consent of EXM

Ce dessin est confidentiel et ne doit pas être reproduit ou utilisé sans le consentement de EXM



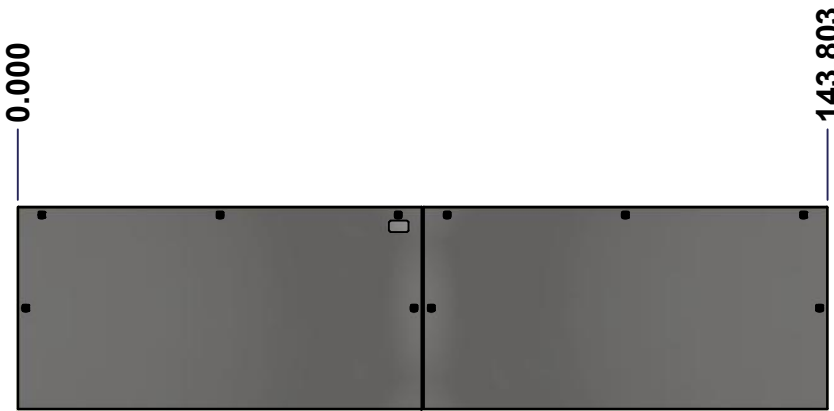
TOP



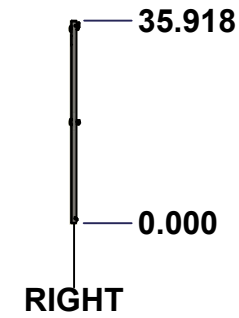
BACK



LEFT



FRONT

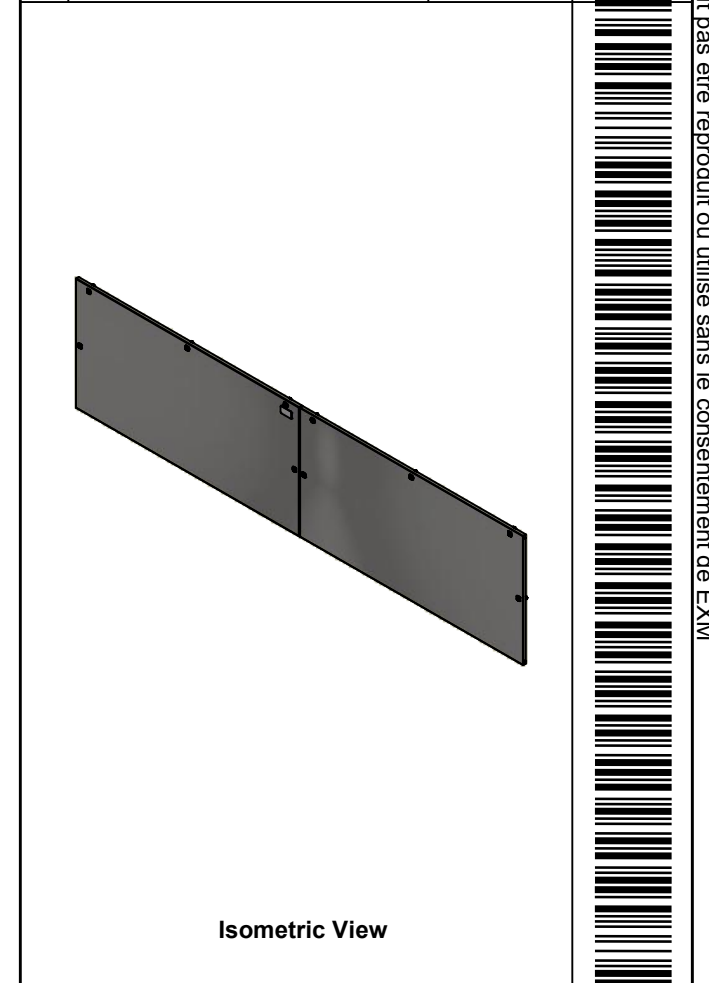


RIGHT




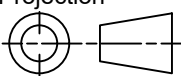
BOTTOM

No.	Revisions	Date	By/Par



Isometric View



 Tél: (450) 979-4373 Fax: (450) 979-4626 www.exmweb.com	Flatness Aplatissement Max 3.0mm
	Projection 
Customer Client	Date
Drawn By Dessiné Par BoxCad: BoxCad	Date 2022-11-03
Material Matière 14 Ga Stainless Steel 304 (1.7mm)	
Color Couleur Unpainted	Finish Fini Brushed
Description 1412BTSSCU 36" x 144" Cover	
Part Number Numéro Pièce	Detail Rev.
1412BTSSCU12805DTC	0

SEE BILL OF MATERIAL ON LAST PAGE

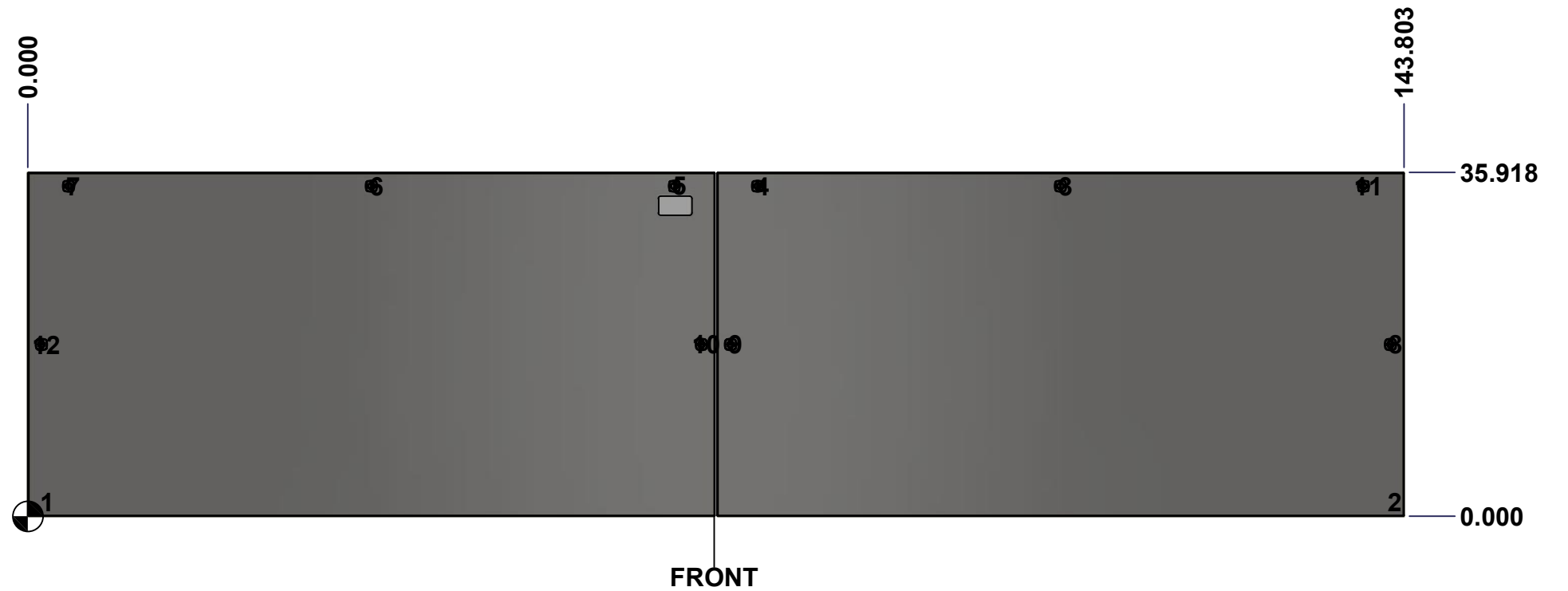
1412BTSSCU12805DTC

Rev. 12
0 18

This drawing is confidential and must not be reproduced or used without the consent of Eurobox

Ce dessin est confidentiel et ne doit pas être reproduit ou utilisé sans le consentement de Eurobox

STANDARD FEATURES ARE NOT LISTED IN THIS HOLE TABLE			
HOLE TABLE - FRONT VIEW (CUSTOM FEATURE ONLY)			
CUT-OUT	XDIM	YDIM	DESCRIPTION
1	1.500	1.486	GND STUD M6 x 16mm (Inside)
2	142.303	1.486	GND STUD M6 x 16mm (Inside)
3	107.902	34.494	LOCK 880 SCQ4-SLSS6 @ 90.0°
4	76.250	34.494	LOCK 880 SCQ4-SLSS6 @ 90.0°
5	67.553	34.494	LOCK 880 SCQ4-SLSS6 @ 90.0°
6	35.902	34.494	LOCK 880 SCQ4-SLSS6 @ 90.0°
7	4.250	34.494	LOCK 880 SCQ4-SLSS6 @ 90.0°
8	142.379	17.959	LOCK 880 SCQ4-SLSS6 @ 0.0°
9	73.424	17.959	LOCK 880 SCQ4-SLSS6 @ 180.0°
10	70.379	17.959	LOCK 880 SCQ4-SLSS6 @ 0.0°
11	139.553	34.494	LOCK 880 SCQ4-SLSS6 @ 90.0°
12	1.424	17.959	LOCK 880 SCQ4-SLSS6 @ 180.0°

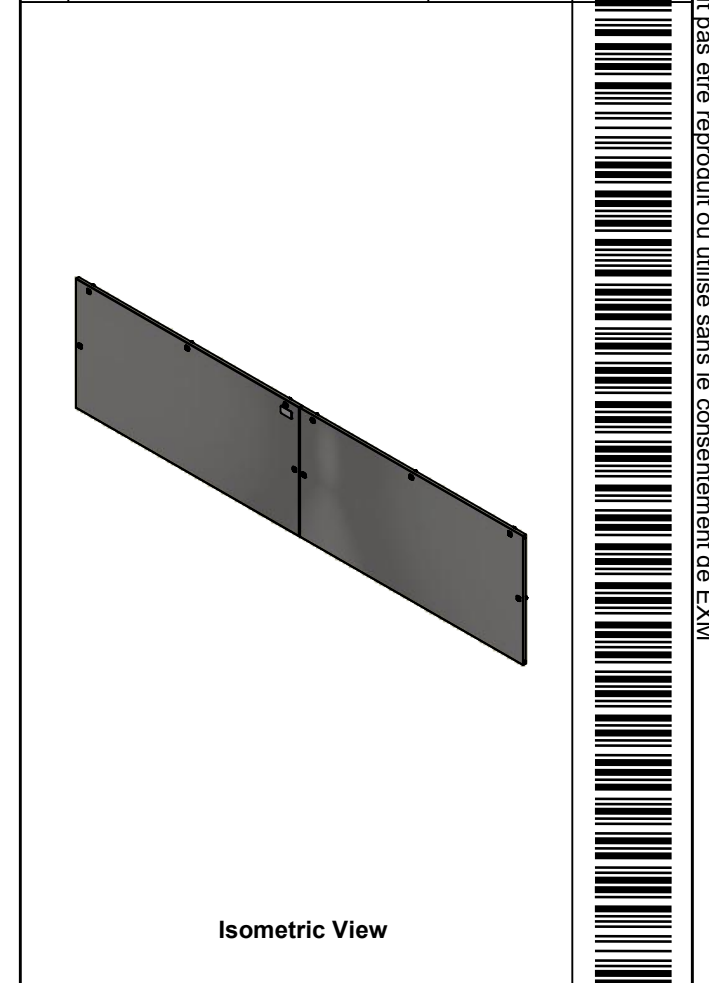


	Description	Status	
	1412BTSSCU 36" x 144" Cover	(NULL)	
	Part Number Numéro Pièce	Rev.	
	1412BTSSCU12805DTC	0	13 18


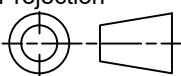
This drawing is confidential and must not be reproduced or used without the consent of EXM

Ce dessin est confidentiel et ne doit pas être reproduit ou utilisé sans le consentement de EXM

No.	Revisions	Date	By/Par



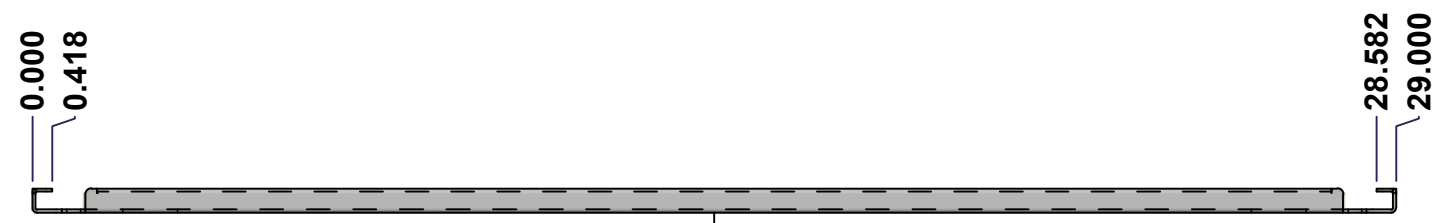
Isometric View

 Tél: (450) 979-4373 Fax: (450) 979-4626 www.exmweb.com		Flatness Aplatissement Max 3.0mm
Customer Client		Projection 
Drawn By Dessiné Par BoxCad: BoxCad		Date 2022-11-03
Material Matière 14 Ga Stainless Steel 304 (1.7mm)		
Color Couleur Unpainted	Finish Fini Brushed	
Description 1412BTSSCU 36" x 144" Cover		Detail Rev.
Part Number Numéro Pièce 1412BTSSCU12805DTC		Rev. 0

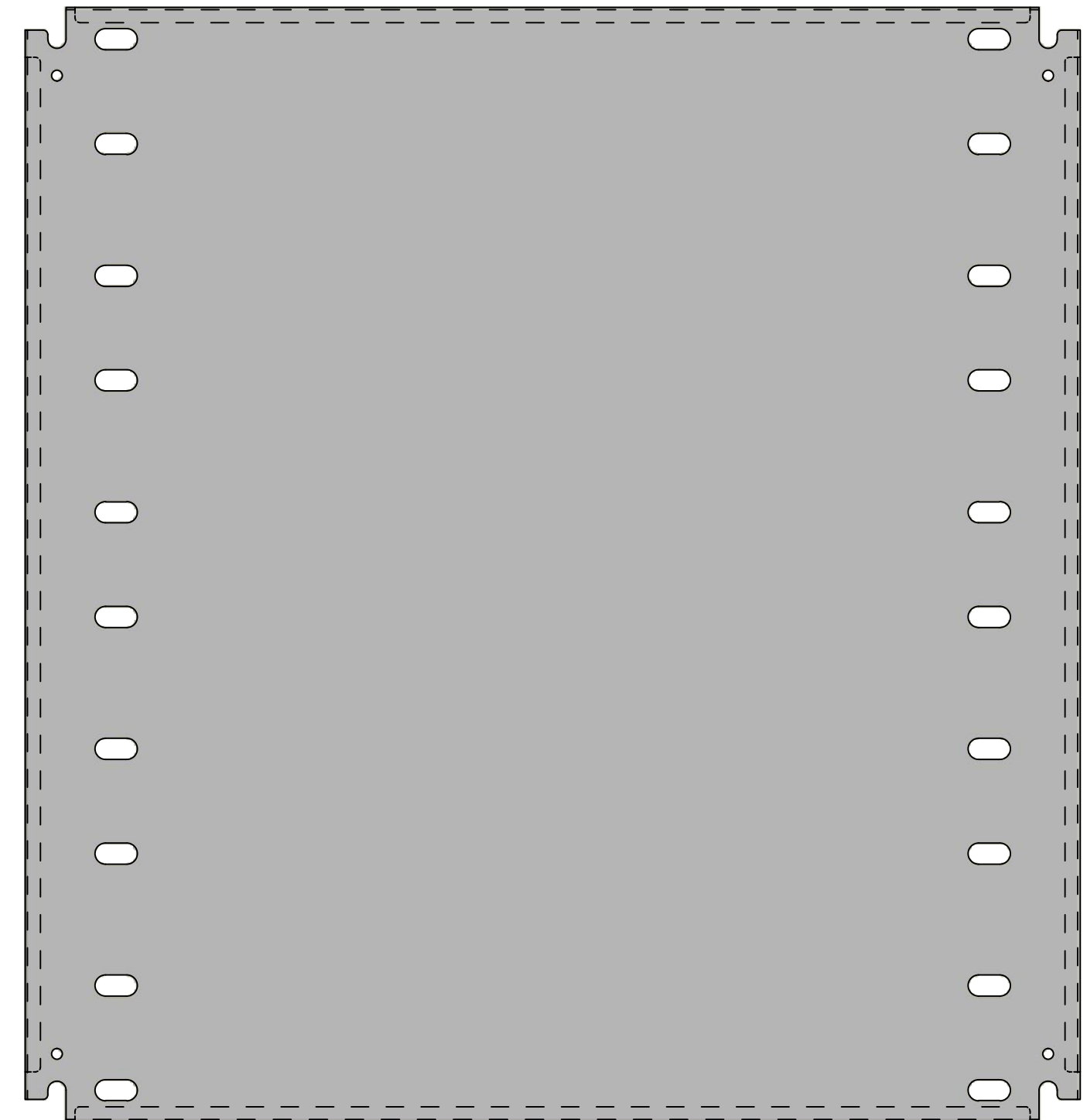
2	1412BTSSCU12805DTG	0	1412BTSSCU 36" x 144" Cover Gasket
8	STK-K-09850	6	5412 ESS Hinge with 2 Captive Hinge Pins
2	STK-Q-16095	0	M6 x 16mm Stainless Steel Ground Stud
1	STK-S-00100	0	3.5" x 2" Silver Milar Flexcon Sticker
1	1412BTSSCU12805DTC-P	0	1412BTSSCU 36" x 72" Left Cover Part
1	1412BTSSCU12805DTF-P	0	1412BTSSCU 36" x 144" Right Cover Part
10	880 SCQ4-SLSS6	7	5412 ESS 1/4 Turn Lock
Qty	Part Name	Rev	Description
Parts List			

This drawing is confidential and must not be reproduced or used without the consent of EXM

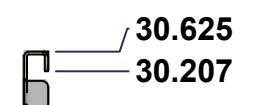
Ce dessin est confidentiel et ne doit pas être reproduit ou utilisé sans le consentement de EXM



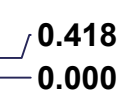
TOP



FRONT

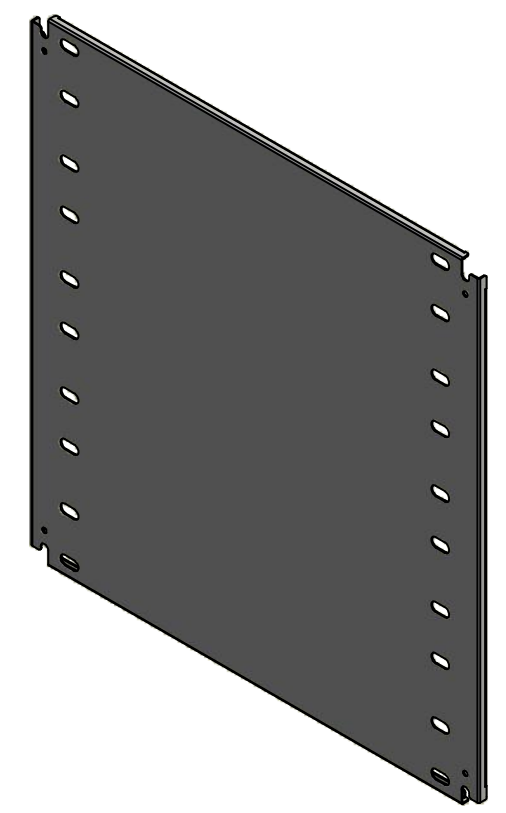


RIGHT



SEE BILL OF MATERIAL ON LAST PAGE

No.	Revisions	Date	By/Par



Isometric View

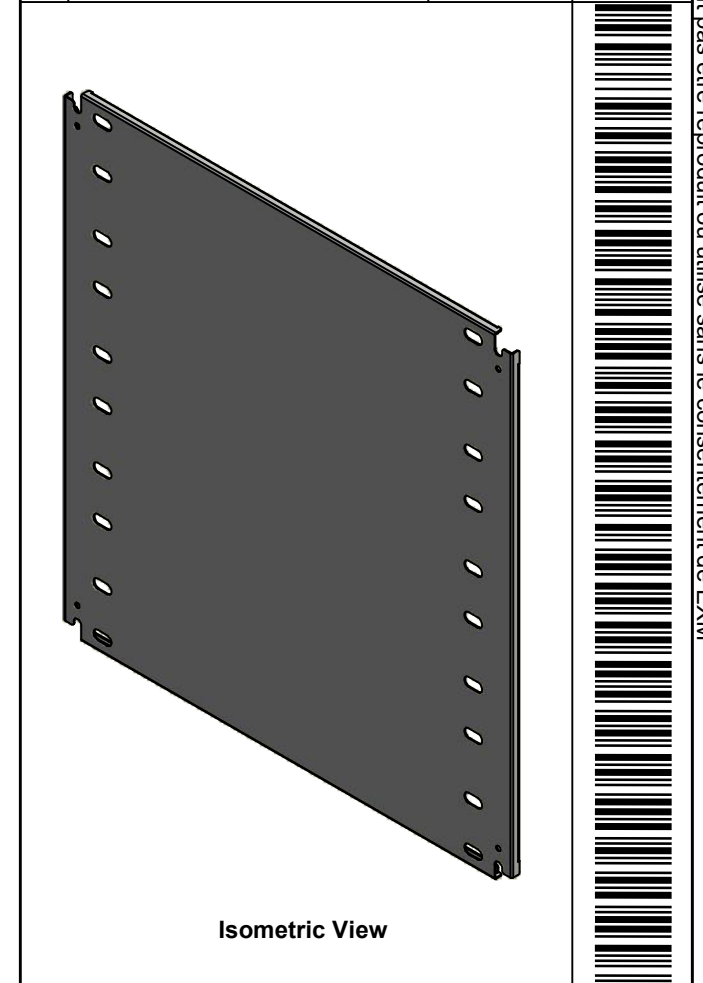




<p>Tél: (450) 979-4373 Fax: (450) 979-4626 www.exmweb.com</p>	Flatness Aplatissement Max 3.0mm
	Projection
Customer Client	Date
Drawn By Dessiné Par BoxCad: BoxCad	Date 2022-11-03
Material Matière 14 Ga Cold Rolled A1008 CS Type B (1.7mm)	
Color Couleur White RAL9003	Finish Fini Smooth
Description 1412BTSSCU 30.625" x 29" Left Inner Panel	
Part Number Numéro Pièce 1412BTSSCU12805DTIP1	Detail Rev. Rev. 15 0

This drawing is confidential and must not be reproduced or used without the consent of EXM

Ce dessin est confidentiel et ne doit pas être reproduit ou utilisé sans le consentement de EXM

No.	Revisions	Date	By/Par

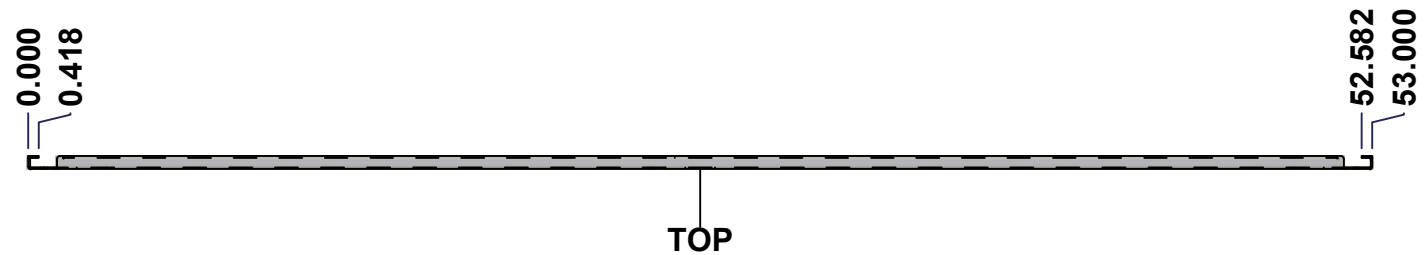


 Tél: (450) 979-4373 Fax: (450) 979-4626 www.exmweb.com		Flatness Aplatissement	
		Max 3.0mm	Projection
Customer Client		Date	
Drawn By Dessiné Par BoxCad: BoxCad		Date 2022-11-03	
Material Matière 14 Ga Cold Rolled A1008 CS Type B (1.7mm)			
Color Couleur White RAL9003	Finish Fini Smooth		
Description 1412BTSSCU 30.625" x 29" Left Inner Panel			Detail Rev.
Part Number Numéro Pièce 1412BTSSCU12805DTIP1		Rev. 0	16 18

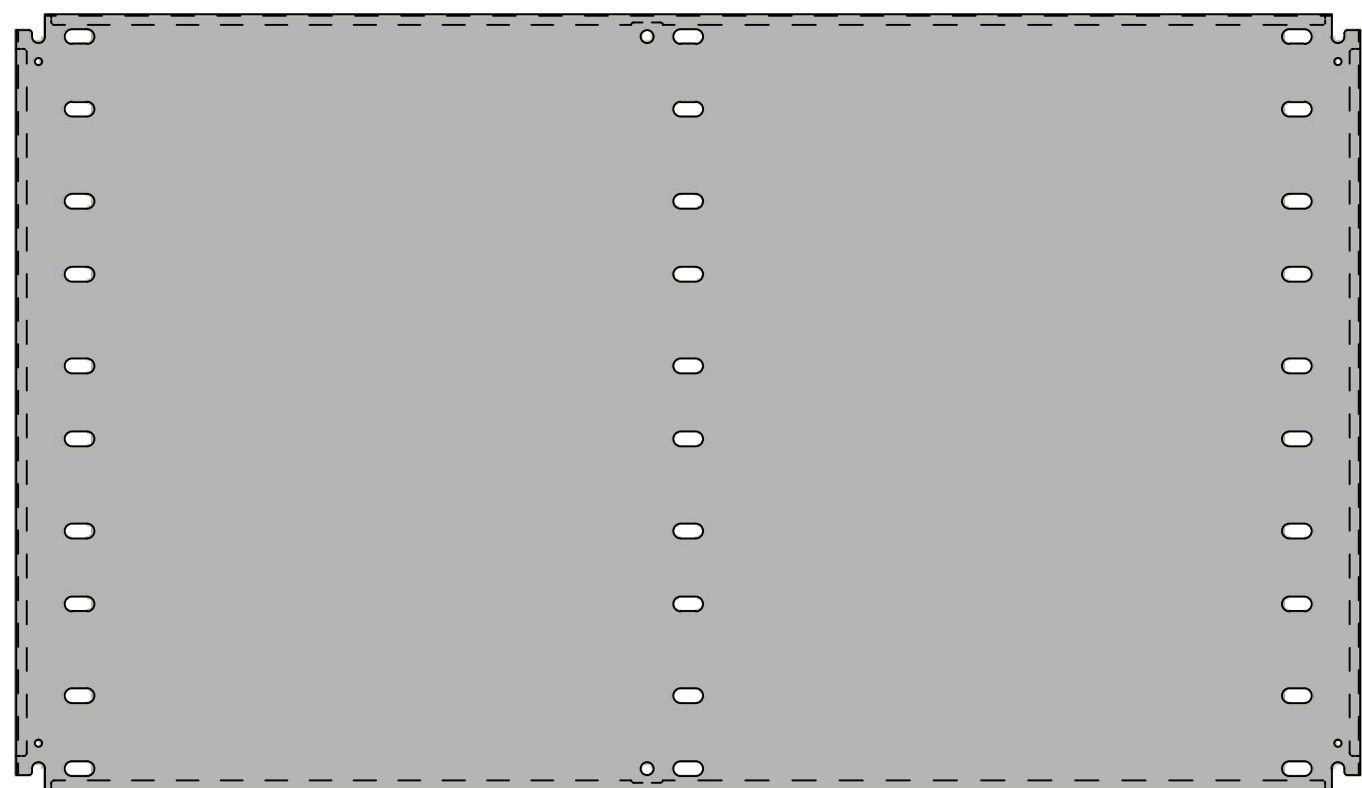
Qty	Part Number	Rev	Description
1	STK-P-02401S	0	Powder Paint (White / Smooth)
1	1412BTSSCU12805DTIP1-P	0	1412BTSSCU 30.625" x 144" Left Inner Panel Part
Parts List			

This drawing is confidential and must not be reproduced or used without the consent of EXM

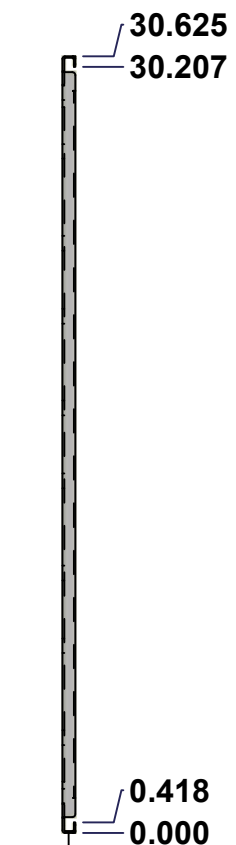
Ce dessin est confidentiel et ne doit pas être reproduit ou utilisé sans le consentement de EXM



TOP

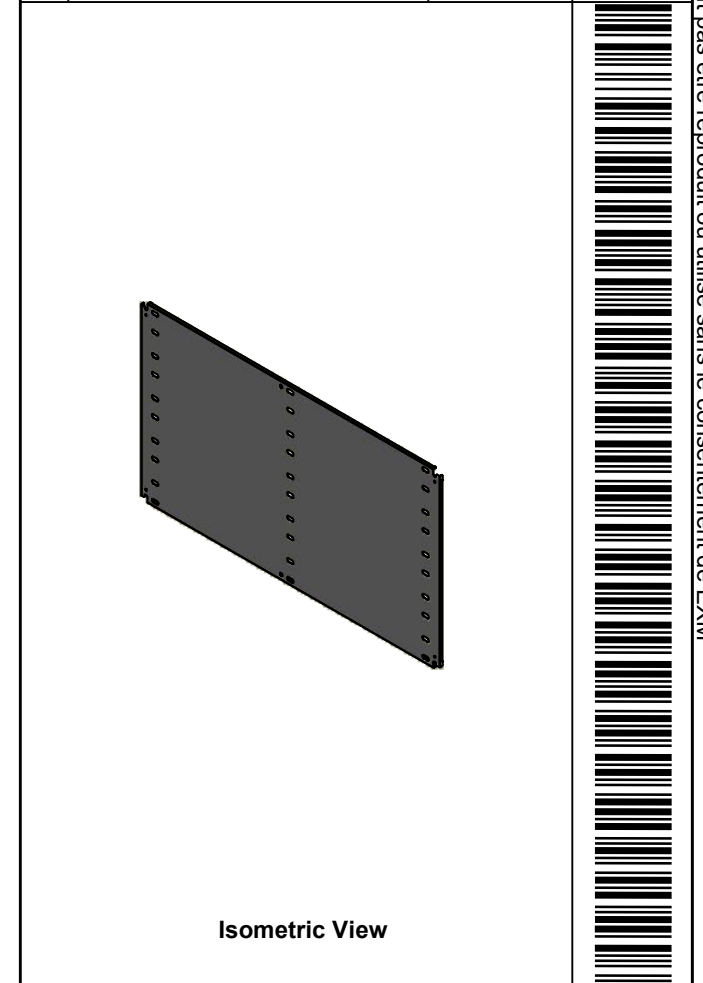


FRONT



RIGHT

No.	Revisions	Date	By/Par




 Tél: (450) 979-4373
 Fax: (450) 979-4626
www.exmweb.com

Flatness / Aplatissement: Max 3.0mm
 Projection: 

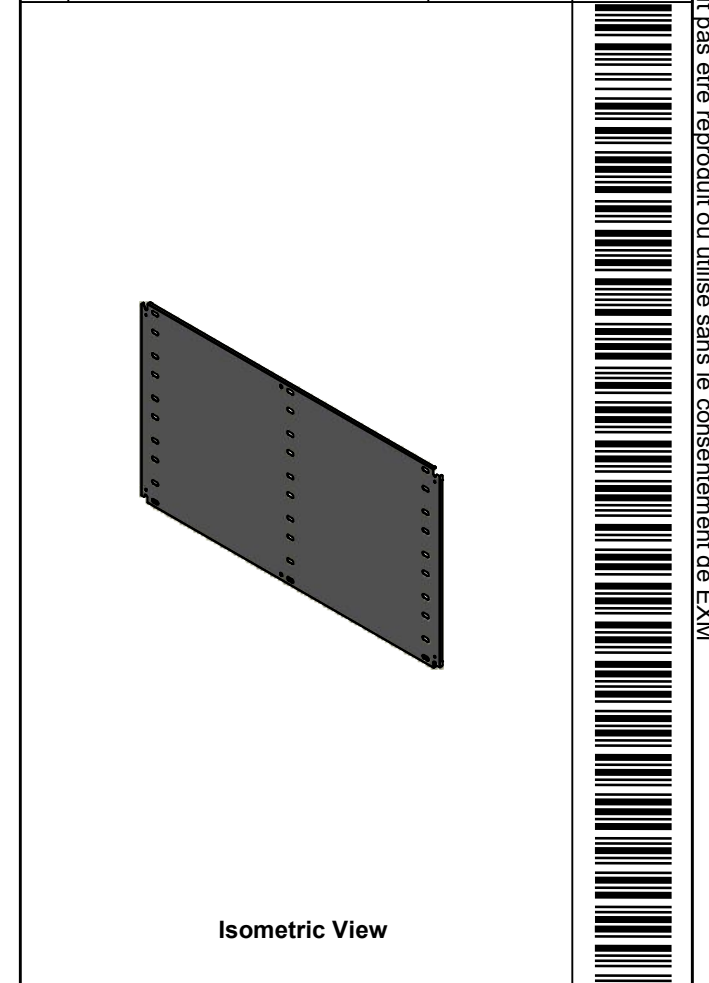
Customer Client	Date
Drawn By / Dessiné Par: BoxCad: BoxCad	Date: 2022-11-03
Material / Matière: 14 Ga Cold Rolled A1008 CS Type B (1.7mm)	
Color / Couleur: White RAL9003	Finish / Fini: Smooth
Description: 1412BTSSCU 30.625" x 53" Right Inner Panel	Detail Rev.
Part Number / Numéro Pièce: 1412BTSSCU12805DTIP2	Rev. 0


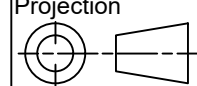
SEE BILL OF MATERIAL ON LAST PAGE

This drawing is confidential and must not be reproduced or used without the consent of EXM

Ce dessin est confidentiel et ne doit pas être reproduit ou utilisé sans le consentement de EXM

No.	Revisions	Date	By/Par



 Tél: (450) 979-4373 Fax: (450) 979-4626 www.exmweb.com		Flatness Aplatissement Max 3.0mm Projection 
Customer Client	Date	
Drawn By Dessiné Par	BoxCad: BoxCad	Date 2022-11-03
Material Matière	14 Ga Cold Rolled A1008 CS Type B (1.7mm)	
Color Couleur	White RAL9003	Finish Fini Smooth
Description		Detail Rev.
1412BTSSCU 30.625" x 53" Right Inner Panel		
Part Number Numéro Pièce	Rev.	18
1412BTSSCU12805DTIP2	0	18

Qty	Part Number	Rev	Description
1	STK-P-02401S	0	Powder Paint (White / Smooth)
1	1412BTSSCU12805DTIP2-P	0	1412BTSSCU 30.625" x 144" Right Inner Panel Part
Parts List			