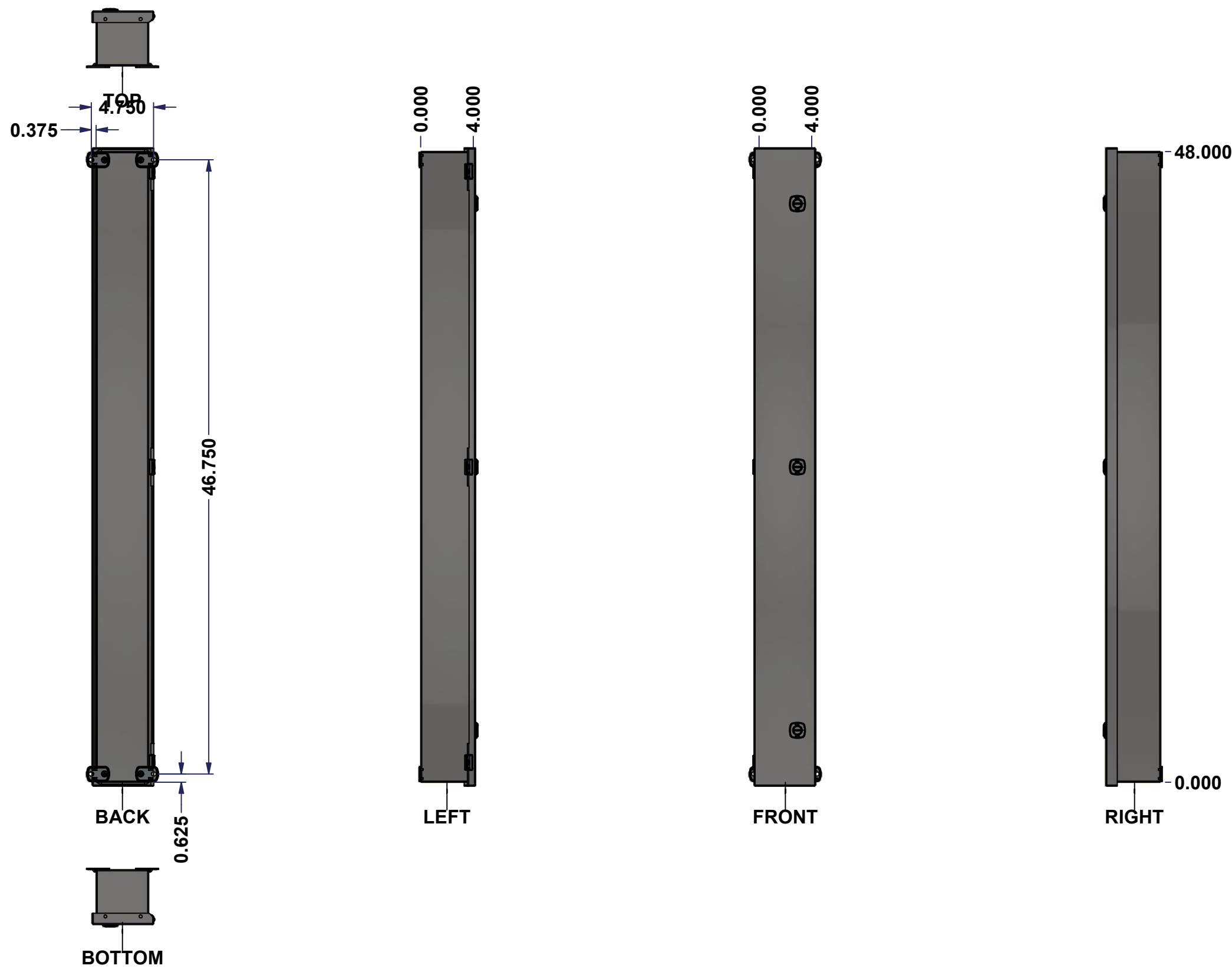
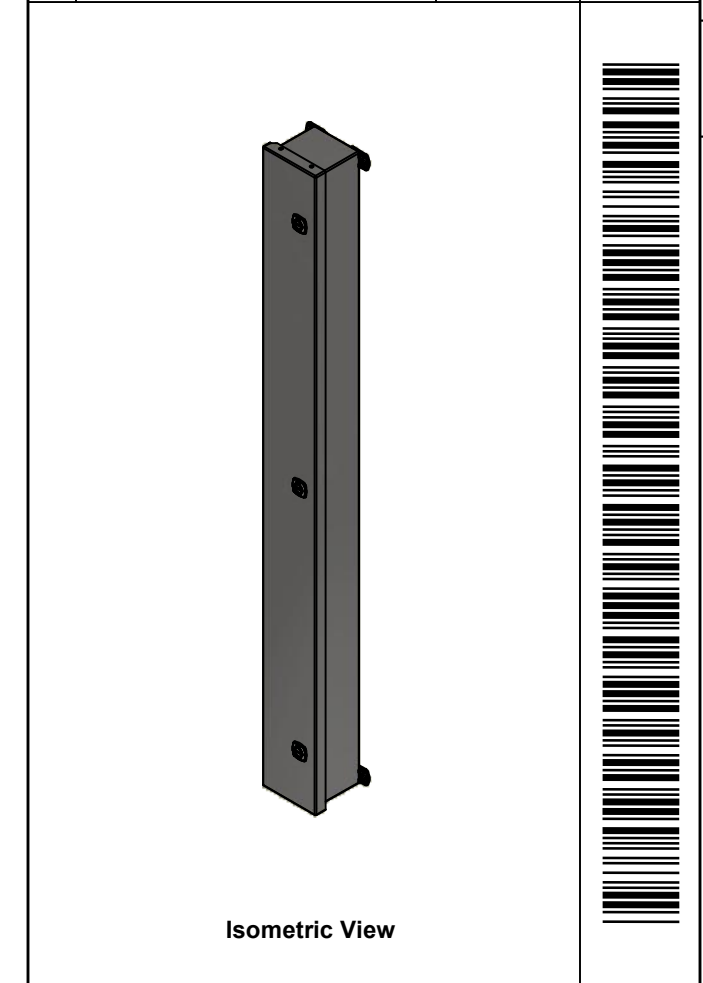


This drawing is confidential and must not be reproduced or used without the consent of EXM

Ce dessin est confidentiel et ne doit pas être reproduit ou utilisé sans le consentement de EXM



No.	Revisions	Date	By/Par



<p>Tél: (450) 979-4373                  Fax: (450) 979-4626  <a href="http://www.exmweb.com">www.exmweb.com</a></p>		Flatness Aplatissement
		Max 3.0mm
Customer Client		Date
Drawn By Dessiné Par BoxCad: BoxCad		Date 3/16/2016
Material Matière 16 Ga Stainless Steel 304 (1.4mm)		
Color Couleur Unpainted	Finish Fini Brushed	
Description 1412CH 48" x 4" x 4" Assembly		Detail Rev.
Part Number Numéro Pièce <b>1412CHSS040448</b>		Rev. 1 <b>0</b> / 7

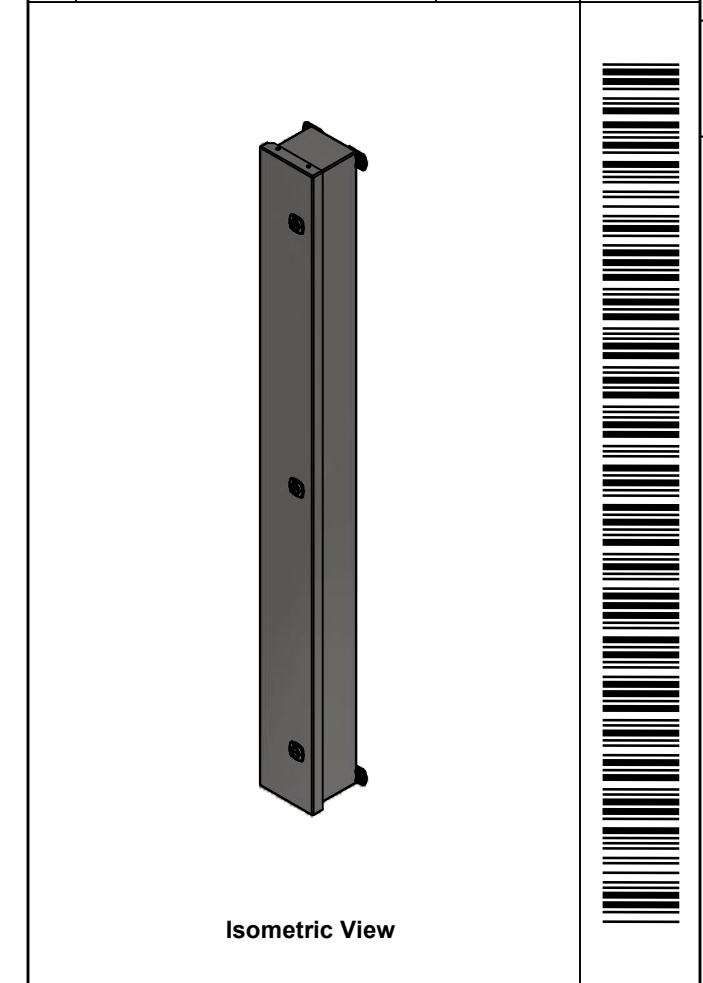
**SEE BILL OF MATERIAL ON LAST PAGE**

This drawing is confidential and must not be reproduced or used without the consent of EXM


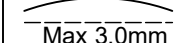
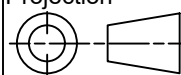
Ce dessin est confidentiel et ne doit pas être reproduit ou utilisé sans le consentement de EXM

NOTE	
ITEM	DESCRIPTION
1	NEMA 4/12 Enclosure
2	C/W Standard ground standoffs on box and cover
3	W/O Standard door stiffener
4	W/O Inner panel
5	W/O Inner panel mounting standoffs
6	C/W Special locks sold separately (Kit)

No.	Revisions	Date	By/Par



Isometric View

 Tél: (450) 979-4373 Fax: (450) 979-4626 <a href="http://www.exmweb.com">www.exmweb.com</a>	Flatness Aplatissement
	 Max 3.0mm Projection 
Customer Client	Date
Drawn By Dessiné Par BoxCad: BoxCad	Date 3/16/2016
Material Matière	16 Ga Stainless Steel 304 (1.4mm)
Color Couleur	Unpainted
Finish Fini	Brushed

PACKING		
ITEM	QTY	DESCRIPTION
Cardboard sleeve	1	Top
Thermal plastic film	1	Use with Packing Tunnel Wrapper Machine
Packaging label	1	White label with product number

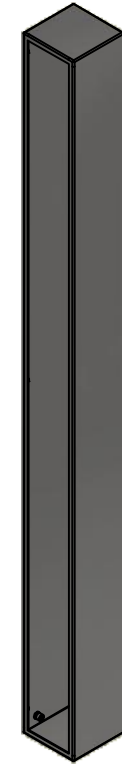
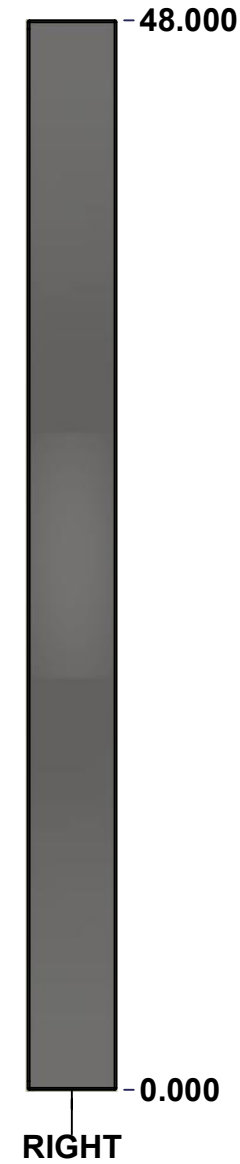
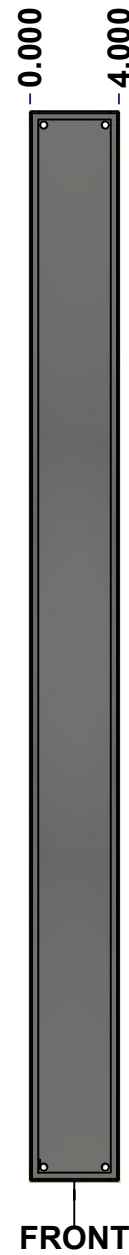
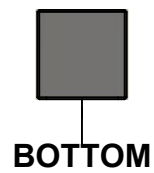
Qty	Part Number	Rev	Description
1	1412CHSS040448C	0	1412CH 48" x 4" Cover
1	1412CHSS040448B	0	1412CH 48" x 4" x 4" Body
2	STK-K-02575	0	1412 CHSS Accessory Kit
3	STK-Q-08100	1	M5 Nylon Insert Lock Nut

Parts List

Description	Detail Rev.
1412CH 48" x 4" x 4" Assembly	
Part Number Numéro Pièce	Rev.
<b>1412CHSS040448</b>	<b>0</b> / 2 / 7

This drawing is confidential and must not be reproduced or used without the consent of EXM


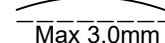
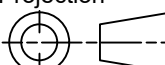
Ce dessin est confidentiel et ne doit pas être reproduit ou utilisé sans le consentement de EXM



Isometric View



No.	Revisions	Date	By/Par

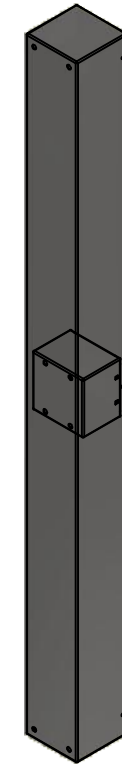
 Tél: (450) 979-4373 Fax: (450) 979-4626 <a href="http://www.exmweb.com">www.exmweb.com</a>		Flatness Aplatissement  Max 3.0mm
Customer Client Drawn By / Dessiné Par: BoxCad: BoxCad Material / Matière: 16 Ga Stainless Steel 304 (1.4mm)		Projection  Date: 3/16/2016
Color / Couleur: Unpainted Finish / Fini: Brushed		Description: 1412CH 48" x 4" x 4" Body Detail Rev.
Part Number / Numéro Pièce: 1412CHSS040448B		Rev. 3 0 / 7

SEE BILL OF MATERIAL ON LAST PAGE

This drawing is confidential and must not be reproduced or used without the consent of EXM


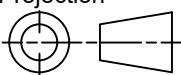
Ce dessin est confidentiel et ne doit pas être reproduit ou utilisé sans le consentement de EXM

No.	Revisions	Date	By/Par



Isometric View



 Tél: (450) 979-4373 Fax: (450) 979-4626 <a href="http://www.exmweb.com">www.exmweb.com</a>	Flatness Aplatissement	Max 3.0mm
	Projection	
Customer Client	Date	
Drawn By Dessiné Par	BoxCad: BoxCad	Date 3/16/2016
Material Matière	16 Ga Stainless Steel 304 (1.4mm)	
Color Couleur	Unpainted	Finish Fini Brushed
Description	Detail Rev.	
1412CH 48" x 4" x 4" Body		
Part Number Numéro Pièce	Rev.	4
<b>1412CHSS040448B</b>	<b>0</b>	<b>7</b>

Qty	Part Number	Rev	Description
1	1412CHSS040448B-P	0	1412CH 48" x 4" x 4" Body Part
1	STK-Q-08500	4	Stainless Steel Standoff M6 x 10mm
Parts List			

This drawing is confidential and must not be reproduced or used without the consent of EXM

Ce dessin est confidentiel et ne doit pas être reproduit ou utilisé sans le consentement de EXM



TOP



BACK



BOTTOM

0.000  
0.875



LEFT

0.000  
4.687



FRONT

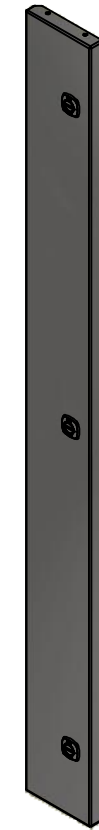
48.592



RIGHT

0.000

No.	Revisions	Date	By/Par



Isometric View

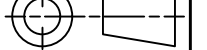


Tél: (450) 979-4373  
Fax: (450) 979-4626  
[www.exmweb.com](http://www.exmweb.com)

Flatness  
Aplatissement

Max 3.0mm

Projection



Customer Client	Date
Drawn By Dessiné Par BoxCad: BoxCad	Date 3/16/2016

Material Matière 16 Ga Stainless Steel 304 (1.4mm)

Color Couleur Unpainted	Finish Fini Brushed
-------------------------	---------------------

Description 1412CH 48" x 4" Cover	Detail Rev.
--------------------------------------	-------------

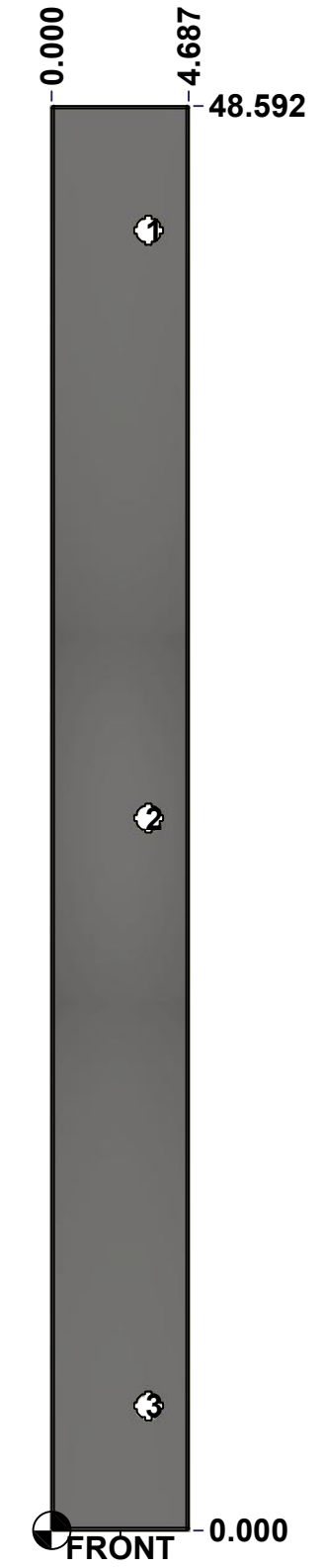
Part Number Numéro Pièce <b>1412CHSS040448C</b>	Rev. 0	5 7
---	--------	--------

SEE BILL OF MATERIAL ON LAST PAGE

This drawing is confidential and must not be reproduced or used without the consent of EXM

Ce dessin est confidentiel et ne doit pas être reproduit ou utilisé sans le consentement de EXM

STANDARD FEATURES ARE NOT LISTED IN THIS HOLE TABLE			
HOLE TABLE - FRONT VIEW (CUSTOM FEATURE ONLY)			
CUT-OUT	XDIM	YDIM	DESCRIPTION
1	3.307	44.342	LOCK 880 SCQ4CH-SLSS @ 180.0°
2	3.307	24.296	LOCK 880 SCQ4CH-SLSS @ 180.0°
3	3.307	4.250	LOCK 880 SCQ4CH-SLSS @ 180.0°

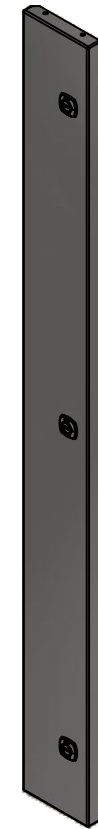


	Description	Status
	1412CH 48" x 4" Cover	(NULL)
	Part Number Numéro Pièce	Rev.
	<b>1412CHSS040448C</b>	<b>0</b>
		6 / 7

This drawing is confidential and must not be reproduced or used without the consent of EXM


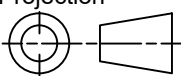
Ce dessin est confidentiel et ne doit pas être reproduit ou utilisé sans le consentement de EXM

No.	Revisions	Date	By/Par



Isometric View



 Tél: (450) 979-4373 Fax: (450) 979-4626 <a href="http://www.exmweb.com">www.exmweb.com</a>	Flatness Aplatissement	Max 3.0mm
	Projection	
Customer Client	Date	
Drawn By Dessiné Par	BoxCad: BoxCad	Date 3/16/2016
Material Matière	16 Ga Stainless Steel 304 (1.4mm)	
Color Couleur	Unpainted	Finish Fini Brushed
Description	Detail Rev.	
1412CH 48" x 4" Cover		
Part Number Numéro Pièce	Rev.	7
<b>1412CHSS040448C</b>	<b>0</b>	<b>7</b>

Qty	Part Number	Rev	Description
1	1412CHSS040448G	0	1412CH 48" x 4" Gasket
1	STK-Q-08500	4	Stainless Steel Standoff M6 x 10mm
1	1412CHSS040448C-P	0	1412CH 48" x 4" Cover Part
3	STK-A-33038	3	5412 ESSMCH - Stainless Steel Hinge
3	880 SCQ4CH-SLSS	0	5412 CHSS 1/4 Turn Lock
Parts List			