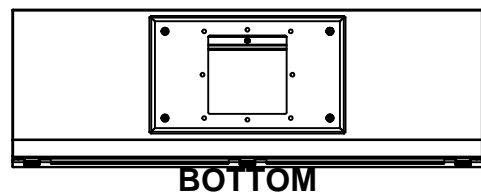
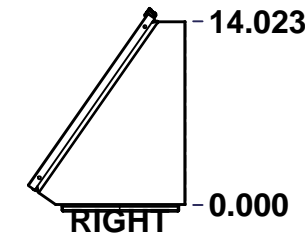
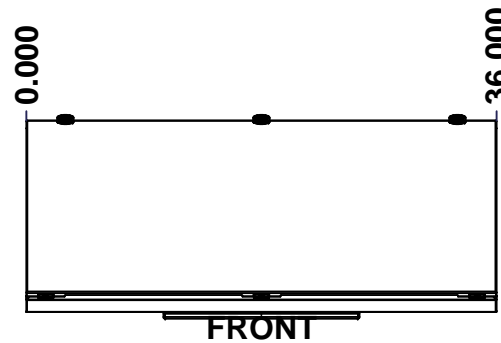
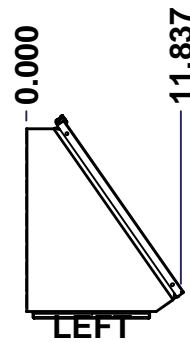
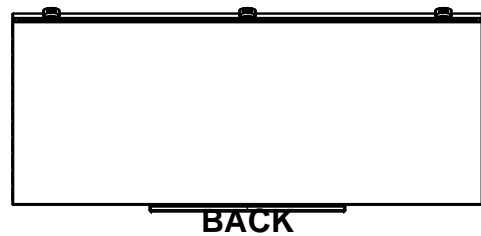
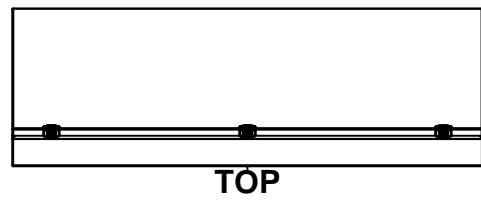
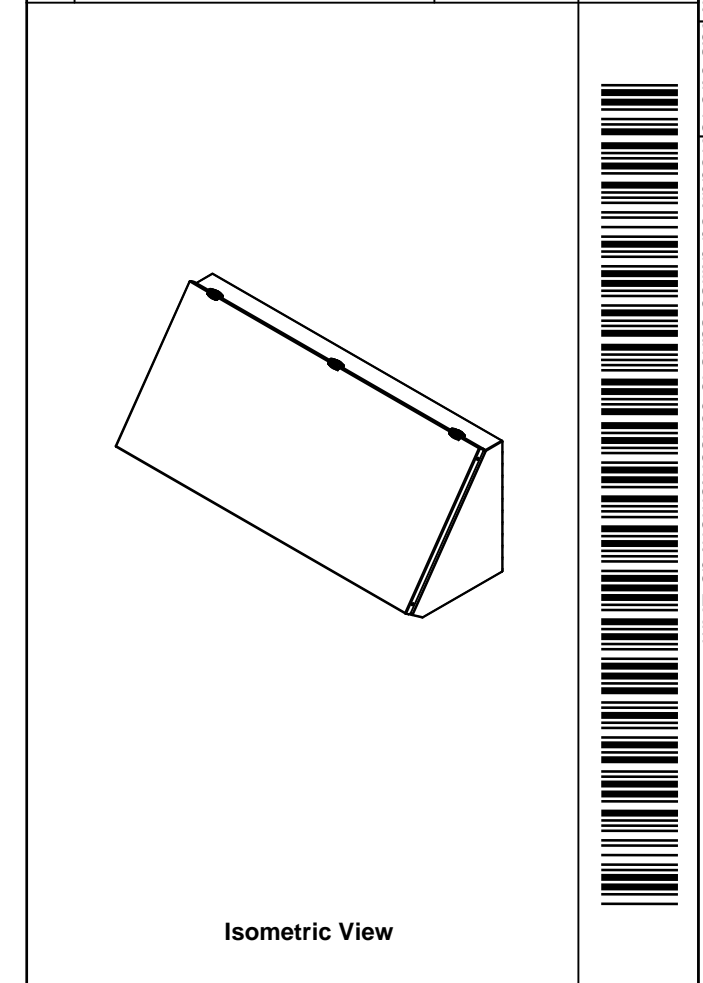



This drawing is confidential and must not be reproduced or used without the consent of EXM

Ce dessin est confidentiel et ne doit pas être reproduit ou utilisé sans le consentement de EXM



| No. | Revisions | Date | By/Par |
|-----|-----------|------|--------|
| | | | |
| | | | |
| | | | |
| | | | |
| | | | |



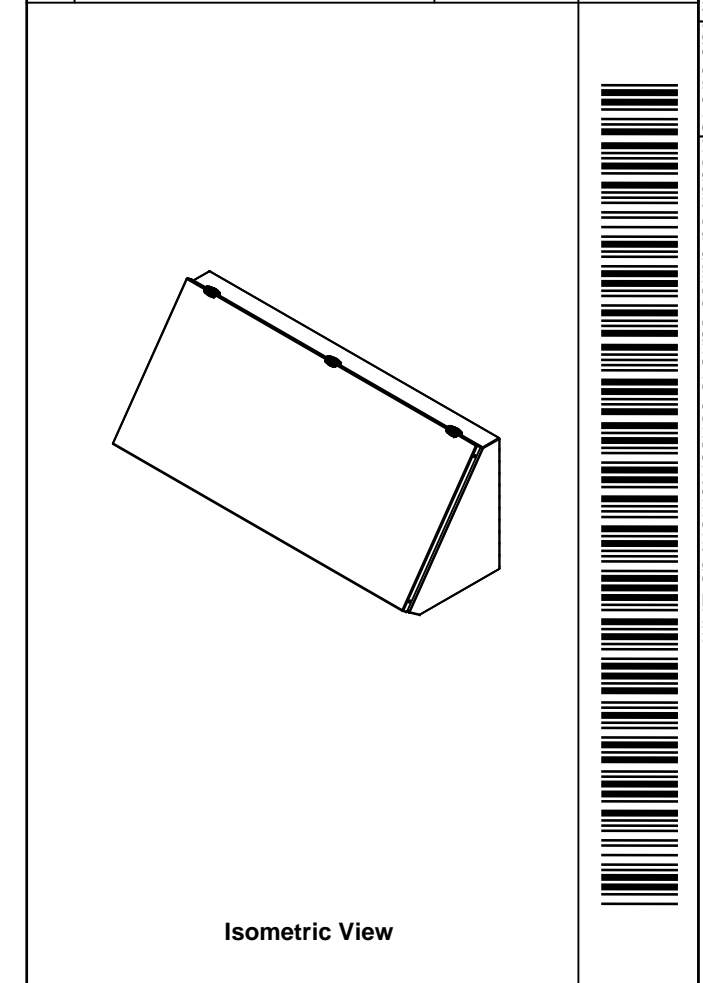
| | | |
|--|-----------------------|---------------------------|
|  Tél: (450) 979-4373 Fax: (450) 979-4626 www.exmweb.com | | Flatness Aplatissement |
| | | Max 3.0mm |
| Customer Client | | Date |
| Drawn By Dessiné Par BoxCad: BoxCad | | Date 04-Dec-13 |
| Material Matière 16 Ga Cold Rolled A1008 CS Type B (1.4mm) | | |
| Color Couleur Asa-61 Grey | Finish Fini Smooth | |
| Description 1412CSD 16" x 36" x 11.725" Assembly | | Detail Rev. |
| Part Number Numéro Pièce 1412CSD163611 | | Rev. 0 |
| SEE BILL OF MATERIAL ON LAST PAGE | | 1 2 |


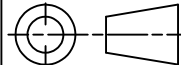
This drawing is confidential and must not be reproduced or used without the consent of EXM

Ce dessin est confidentiel et ne doit pas être reproduit ou utilisé sans le consentement de EXM

| NOTE | |
|------|--|
| ITEM | DESCRIPTION |
| 1 | NEMA 4/12 Enclosure |
| 2 | C/W Standard ground standoffs on box and cover |
| 3 | W/O Standard door stiffener |
| 4 | W/O Inner panel |
| 5 | W/O Inner panel mounting standoffs |

| No. | Revisions | Date | By/Par |
|-----|-----------|------|--------|
| | | | |
| | | | |
| | | | |
| | | | |
| | | | |
| | | | |



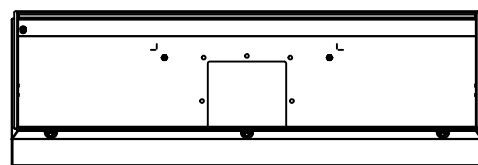
| | | |
|--|---|---|
|  Tél: (450) 979-4373 Fax: (450) 979-4626 www.exmweb.com | | Flatness Aplatissement Max 3.0mm Projection  |
| Customer Client | Date | |
| Drawn By Dessiné Par | BoxCad: BoxCad | Date 04-Dec-13 |
| Material Matière | 16 Ga Cold Rolled A1008 CS Type B (1.4mm) | |
| Color Couleur | Asa-61 Grey | Finish Fini Smooth |
| Description | Detail Rev. | |
| 1412CSD 16" x 36" x 11.725" Assembly | | |
| Part Number Numéro Pièce | Rev. | 2 |
| 1412CSD163611 | 0 | 2 |

| PACKING | | |
|-----------------------|-----|--|
| ITEM | QTY | DESCRIPTION |
| Cardboard sleeve | 2 | Top and Bottom |
| Cardboard strip | 2 | Between back of enclosure and inner panel |
| Plastic bag | 1 | To protect cover surface and inside gasket |
| Plastic strap - Black | 2 | To Squeeze the 2 cardboard sleeve together |
| Packaging label | 1 | White label with product number |

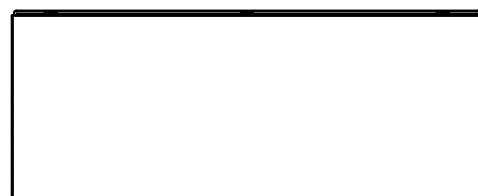
| Qty | Part Number | Rev | Description |
|------------|----------------|-----|----------------------------------|
| 1 | 1412CSD163611C | 0 | 1412CSD 16" x 36" Cover |
| 1 | 1412CSD163611B | 0 | 1412CSD 16" x 36" x 11.725" Body |
| 2 | 880 GS115 | 0 | Gas Spring 115N/12Kg/26Lbs |
| 3 | STK-Q-08100 | 1 | M5 Nylon Insert Lock Nut |
| Parts List | | | |

This drawing is confidential and must not be reproduced or used without the consent of EXM

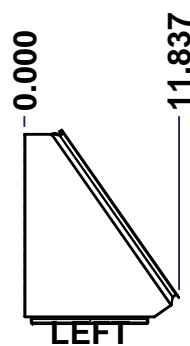
Ce dessin est confidentiel et ne doit pas être reproduit ou utilisé sans le consentement de EXM



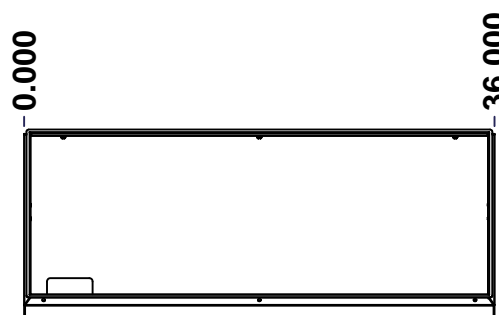
TOP



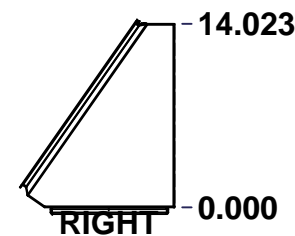
BACK



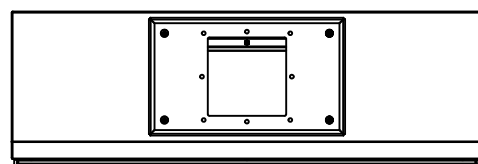
LEFT



FRONT

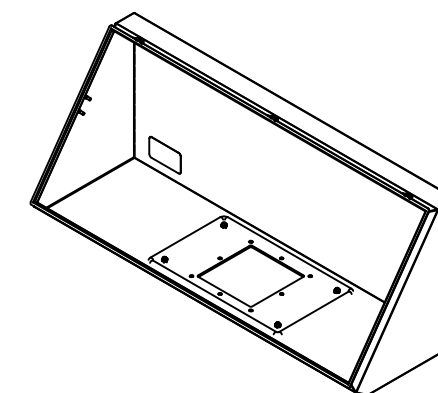


RIGHT



BOTTOM

| No. | Revisions | Date | By/Par |
|-----|-----------|------|--------|
| | | | |
| | | | |
| | | | |
| | | | |
| | | | |



Isometric View



Tél: (450) 979-4373
 Fax: (450) 979-4626
www.exmweb.com

Flatness
Aplatissement

Max 3.0mm

Projection



| | |
|--|-----------------|
| Customer Client | Date |
| Drawn By / Dessiné Par: BoxCad: BoxCad | Date: 04-Dec-13 |

Material / Matière: 16 Ga Cold Rolled A1008 CS Type B (1.4mm)

| | |
|------------------------------|-----------------------|
| Color / Couleur: Asa-61 Grey | Finish / Fini: Smooth |
|------------------------------|-----------------------|

Description: 1412CSD 16" x 36" x 11.725" Body

| | | |
|---|---------------|-------|
| Part Number / Numéro Pièce: 1412CSD163611B | Rev. 0 | 1 / 7 |
|---|---------------|-------|

SEE BILL OF MATERIAL ON LAST PAGE

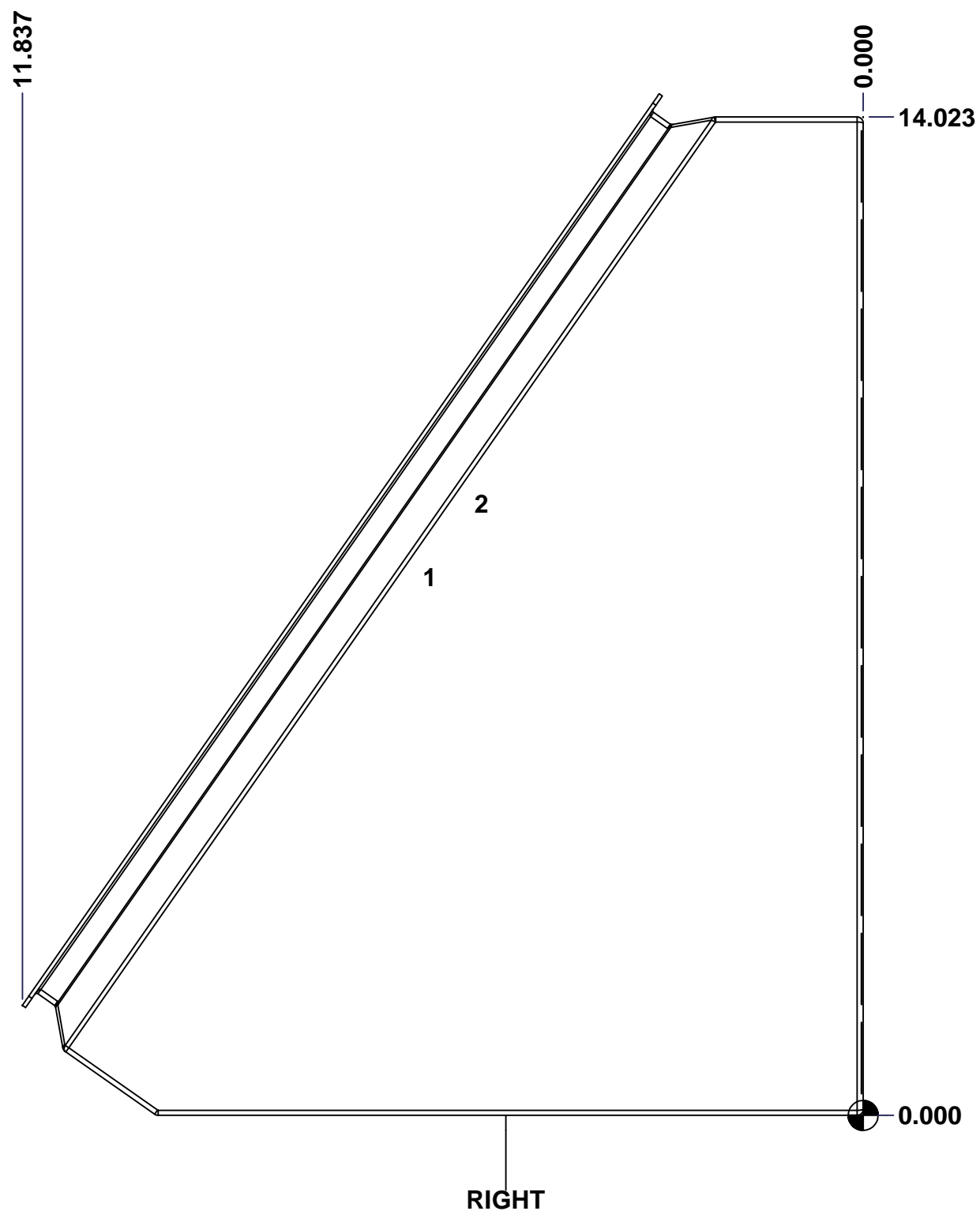
This drawing is confidential and must not be reproduced or used without the consent of EXM

Ce dessin est confidentiel et ne doit pas être reproduit ou utilisé sans le consentement de EXM

STANDARD FEATURES ARE NOT LISTED IN THIS HOLE TABLE

HOLE TABLE - RIGHT VIEW (CUSTOM FEATURE ONLY)

| CUT-OUT | XDIM | YDIM | DESCRIPTION |
|---------|-------|-------|-------------------------|
| 1 | 6.163 | 7.560 | STUDSM5 x 12mm (Inside) |
| 2 | 5.440 | 8.592 | STUDSM5 x 12mm (Inside) |

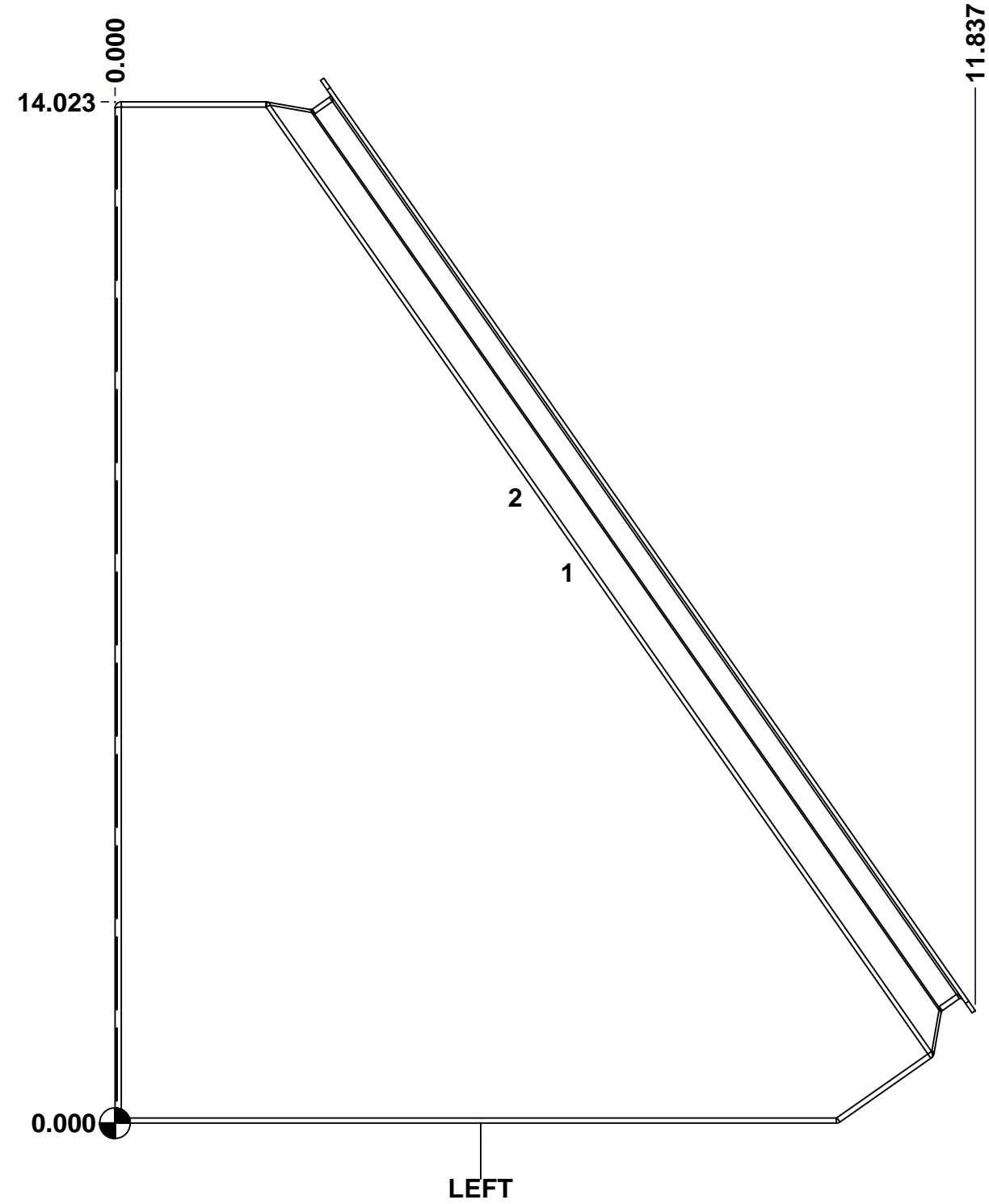


| | | | |
|--|----------------------------------|----------|---|
| | Description | Status | |
| | 1412CSD 16" x 36" x 11.725" Body | (NULL) | |
| | Part Number Numéro Pièce | Rev. | 3 |
| | 1412CSD163611B | 0 | 7 |

This drawing is confidential and must not be reproduced or used without the consent of EXM

Ce dessin est confidentiel et ne doit pas être reproduit ou utilisé sans le consentement de EXM

| STANDARD FEATURES ARE NOT LISTED IN THIS HOLE TABLE | | | |
|---|-------|-------|-------------------------|
| HOLE TABLE - LEFT VIEW (CUSTOM FEATURE ONLY) | | | |
| CUT-OUT | XDIM | YDIM | DESCRIPTION |
| 1 | 6.163 | 7.560 | STUDSM5 x 12mm (Inside) |
| 2 | 5.440 | 8.592 | STUDSM5 x 12mm (Inside) |

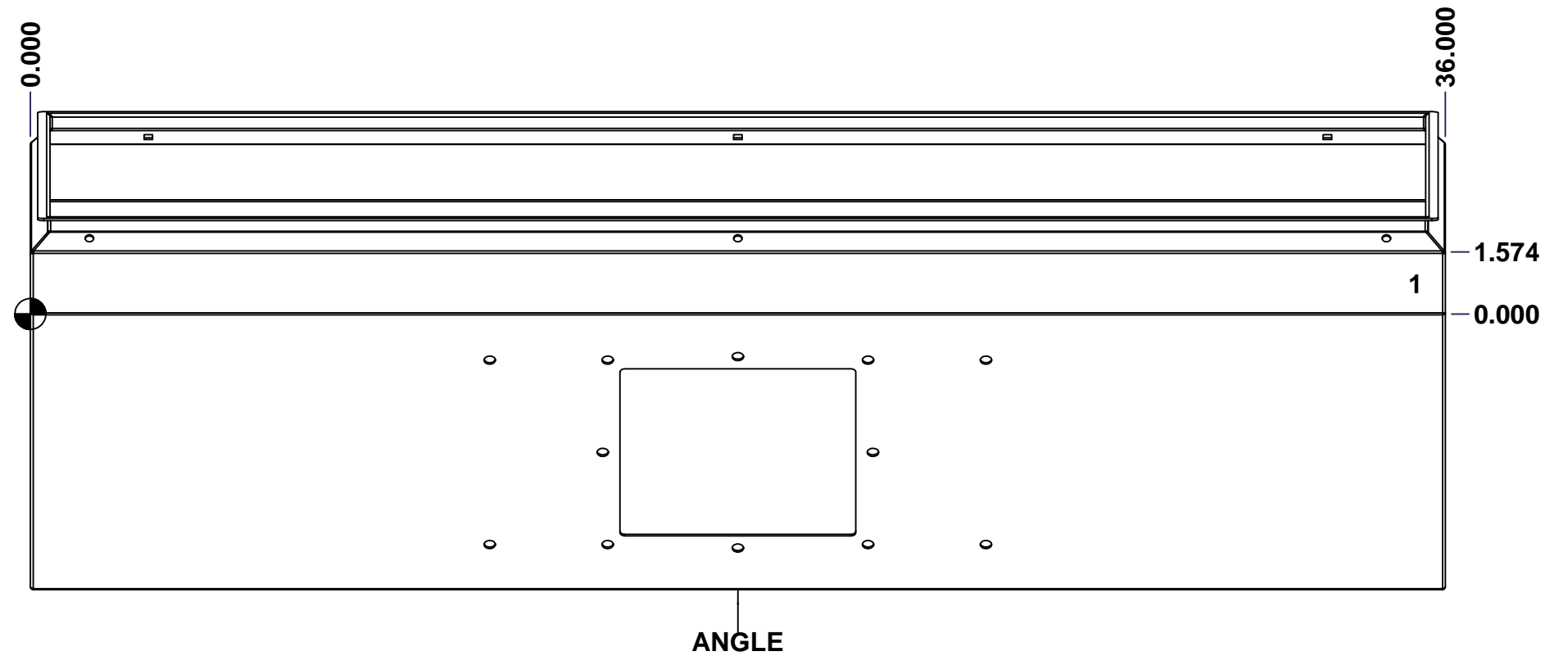


| | | |
|--|----------------------------------|----------|
| | Description | Status |
| | 1412CSD 16" x 36" x 11.725" Body | (NULL) |
| | Part Number Numéro Pièce | Rev. |
| | 1412CSD163611B | 0 |
| | | 5 / 7 |

This drawing is confidential and must not be reproduced or used without the consent of EXM

Ce dessin est confidentiel et ne doit pas être reproduit ou utilisé sans le consentement de EXM

| STANDARD FEATURES ARE NOT LISTED IN THIS HOLE TABLE | | | |
|--|--------|-------|-----------------------------|
| HOLE TABLE - ANGLE VIEW (CUSTOM FEATURE ONLY) | | | |
| CUT-OUT | XDIM | YDIM | DESCRIPTION |
| 1 | 35.125 | 0.742 | STANDOFF M6 x 10mm (Inside) |

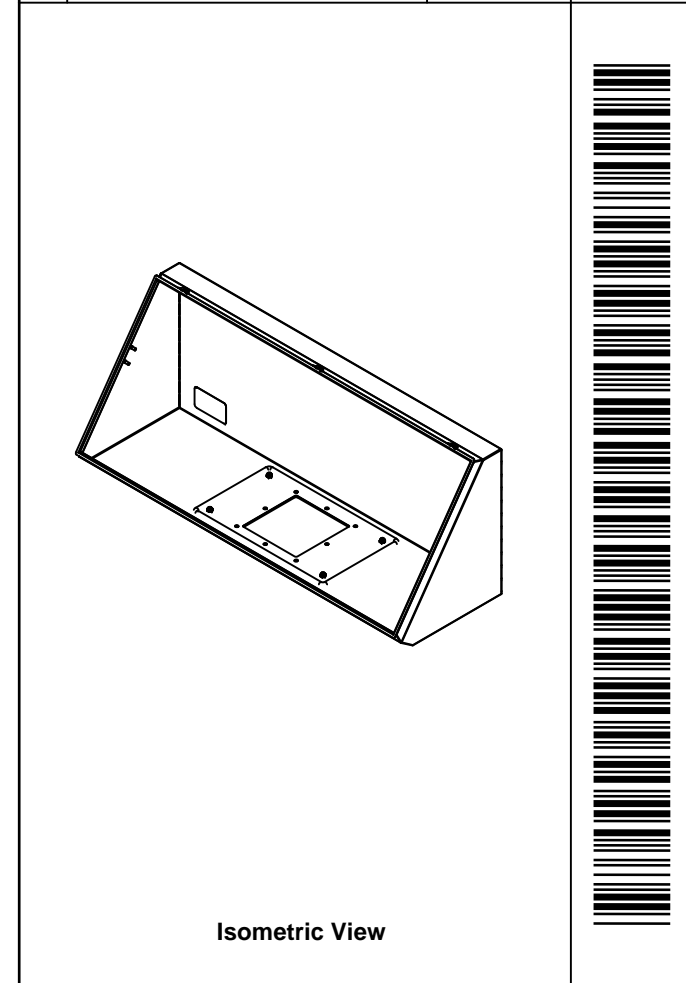


| | | |
|--|----------------------------------|----------|
| | Description | Status |
| | 1412CSD 16" x 36" x 11.725" Body | (NULL) |
| | Part Number Numéro Pièce | Rev. |
| | 1412CSD163611B | 0 |
| | | 4 / 7 |

This drawing is confidential and must not be reproduced or used without the consent of EXM

Ce dessin est confidentiel et ne doit pas être reproduit ou utilisé sans le consentement de EXM

| No. | Revisions | Date | By/Par |
|-----|-----------|------|--------|
| | | | |
| | | | |
| | | | |
| | | | |
| | | | |




 Tél: (450) 979-4373
 Fax: (450) 979-4626
www.exmweb.com

Flatness
 Aplatissement
 Max 3.0mm
 Projection


Customer Client _____ Date _____
 Drawn By Dessiné Par BoxCad: BoxCad Date 04-Dec-13

Material Matière 16 Ga Cold Rolled A1008 CS Type B (1.4mm)

Color Couleur Asa-61 Grey Finish Fini Smooth

Description 1412CSD 16" x 36" x 11.725" Body
 Detail Rev. _____

Part Number Numéro Pièce **1412CSD163611B**
 Rev. **0** / 7

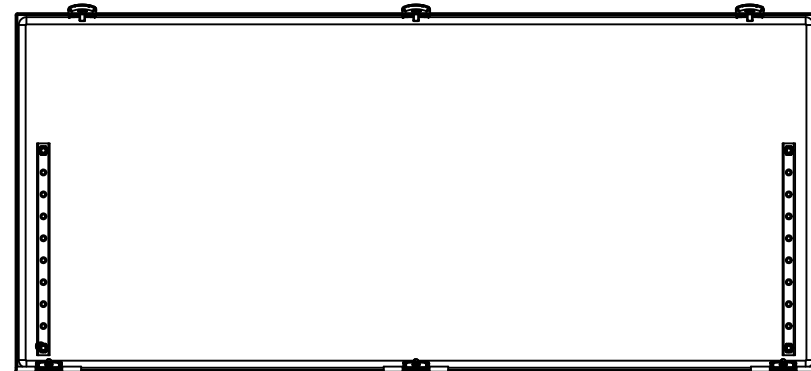
| | | | |
|------------|------------------|-----|---|
| 4 | STUD_M5 x 12mm | 0 | Stud M5 x 12mm |
| 1 | STK-Q-08350 | 5 | Standoff M6 x 10mm |
| 1 | STK-P-02400S | 0 | Powder Paint (Asa-61 Grey / Smooth) |
| 1 | STK-S-00100 | 0 | 3.5" x 2" Silver Milar Flexcon Sticker |
| 1 | 1412CSD163611B-P | 0 | 1412CSD 16" x 36" x 11.725" Body Part |
| 1 | 1500CS_SUP | 0 | 1500CS - Support Plate Part |
| 3 | STK-A-70469 | 6 | 5412 ESSMCH - Stainless Steel 316 Body Catch Assembly |
| 3 | STK-Q-08100 | 1 | M5 Nylon Insert Lock Nut |
| Qty | Part_Number | Rev | Description |
| Parts List | | | |

This drawing is confidential and must not be reproduced or used without the consent of EXM

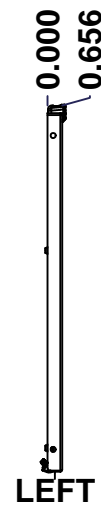
Ce dessin est confidentiel et ne doit pas être reproduit ou utilisé sans le consentement de EXM



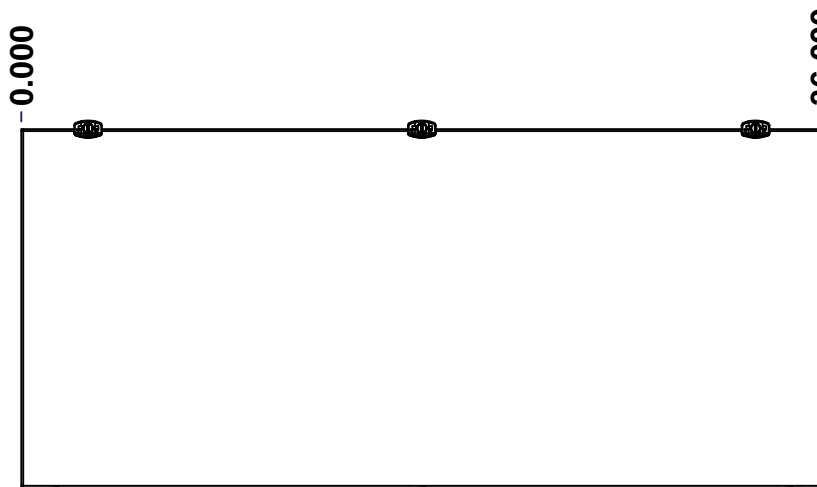
TOP



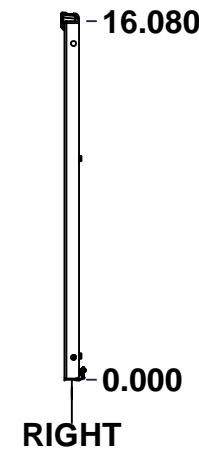
BACK



LEFT



FRONT

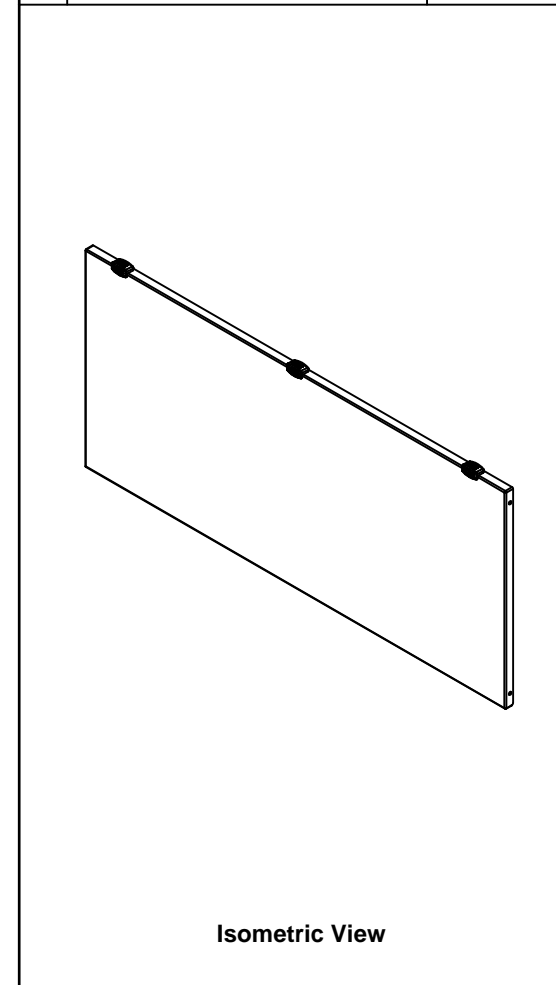


RIGHT




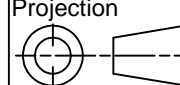
BOTTOM

| No. | Revisions | Date | By/Par |
|-----|-----------|------|--------|
| | | | |
| | | | |
| | | | |
| | | | |



Isometric View



| | | |
|--|-----------------------|---|
|  Tél: (450) 979-4373 Fax: (450) 979-4626 www.exmweb.com | | Flatness Aplatissement Max 3.0mm Projection  |
| Customer Client | Date | |
| Drawn By / Dessiné Par: BoxCad: BoxCad | Date: 04-Dec-13 | |
| Material / Matière: 16 Ga Cold Rolled A1008 CS Type B (1.4mm) | | |
| Color / Couleur: Asa-61 Grey | Finish / Fini: Smooth | |
| Description: 1412CSD 16" x 36" Cover | | Detail Rev. |
| Part Number / Numéro Pièce: 1412CSD163611C | Rev. 0 | 1 / 3 |

SEE BILL OF MATERIAL ON LAST PAGE

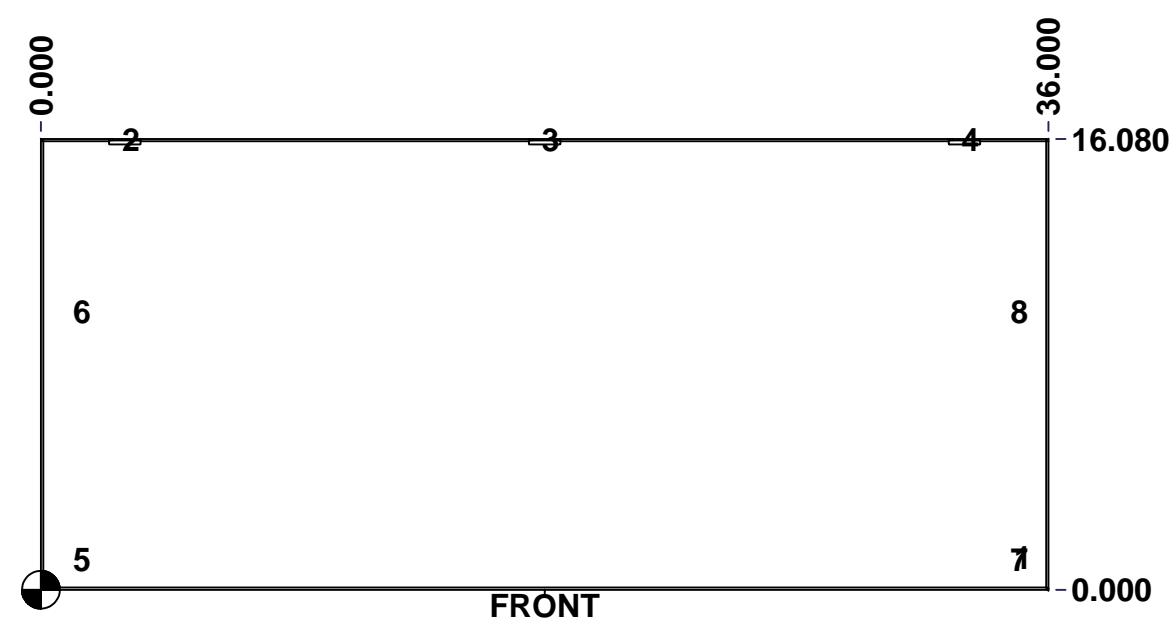
This drawing is confidential and must not be reproduced or used without the consent of EXM

Ce dessin est confidentiel et ne doit pas être reproduit ou utilisé sans le consentement de EXM

STANDARD FEATURES ARE NOT LISTED IN THIS HOLE TABLE

HOLE TABLE - FRONT VIEW (CUSTOM FEATURE ONLY)

| CUT-OUT | XDIM | YDIM | DESCRIPTION |
|---------|--------|--------|-----------------------------|
| 1 | 34.875 | 1.145 | STANDOFF M6 x 10mm (Inside) |
| 2 | 3.000 | 16.080 | LOCK 880 SCQ2MS @ 90.0° |
| 3 | 18.000 | 16.080 | LOCK 880 SCQ2MS @ 90.0° |
| 4 | 33.000 | 16.080 | LOCK 880 SCQ2MS @ 90.0° |
| 5 | 1.250 | 1.062 | STUDS M6 x 18mm (Inside) |
| 6 | 1.250 | 9.920 | STUDS M6 x 18mm (Inside) |
| 7 | 34.750 | 1.062 | STUDS M6 x 18mm (Inside) |
| 8 | 34.750 | 9.920 | STUDS M6 x 18mm (Inside) |

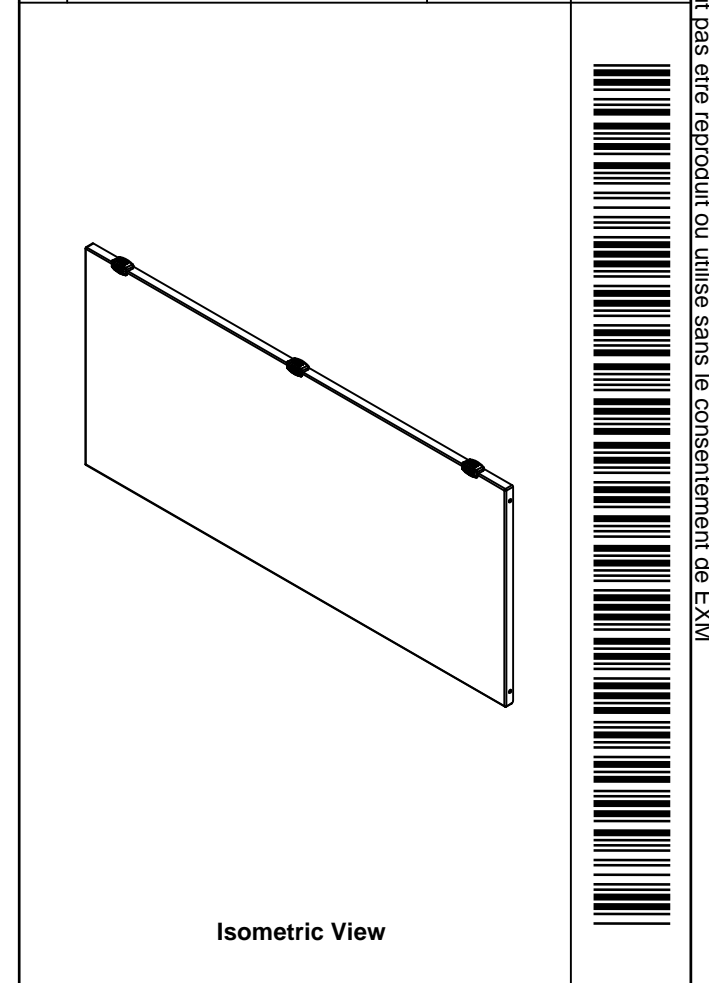


| | | | |
|--|-----------------------------|----------|--------|
| | Description | Status | |
| | 1412CSD 16" x 36" Cover | (NULL) | |
| | Part Number Numéro Pièce | Rev. | |
| | 1412CSD163611C | 0 | 2 3 |

This drawing is confidential and must not be reproduced or used without the consent of EXM

Ce dessin est confidentiel et ne doit pas être reproduit ou utilisé sans le consentement de EXM

| No. | Revisions | Date | By/Par |
|-----|-----------|------|--------|
| | | | |
| | | | |
| | | | |
| | | | |
| | | | |



EXM
www.exm.com

Tél: (450) 979-4373
Fax: (450) 979-4626
www.exmweb.com

Flatness
Aplatissement
Max 3.0mm

Projection

Customer Client _____ Date _____
 Drawn By Dessiné Par BoxCad: BoxCad Date 04-Dec-13

Material Matière 16 Ga Cold Rolled A1008 CS Type B (1.4mm)

Color Couleur Asa-61 Grey Finish Fini Smooth

Description 1412CSD 16" x 36" Cover
 Detail Rev. _____

Part Number Numéro Pièce **1412CSD163611C**
 Rev. 0 3

| Qty | Part Name | Rev | Description |
|------------|------------------|-----|---|
| 4 | STK-Q-16055 | 1 | M6 x 18mm Stud (No Paint Cap Required) |
| 1 | STK-Q-08350 | 5 | Standoff M6 x 10mm |
| 1 | STK-P-02400S | 0 | Powder Paint (Asa-61 Grey / Smooth) |
| 2 | STK-Q-46020-12 | 5 | 5412 ES Vertical Door Stiffener 12" |
| 1 | 1412CSD163611G | 0 | 1412CSD 16" x 36" Gasket |
| 1 | 1412CSD163611C-P | 0 | 1412CSD 16" x 36" Cover Part |
| 3 | 880SCQ2S | 3 | 5412 ESMCH - External Lock Assy - Slot Lock |
| 3 | STK-A-33033 | 4 | 5412 ESMCH Hinge |
| 4 | STK-Q-07220 | 1 | M6 Nylon Insert Lock Nut |
| Parts List | | | |