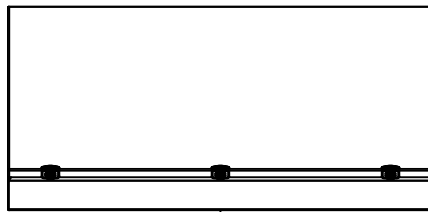
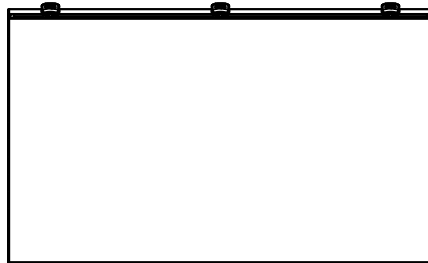


This drawing is confidential and must not be reproduced or used without the consent of EXM

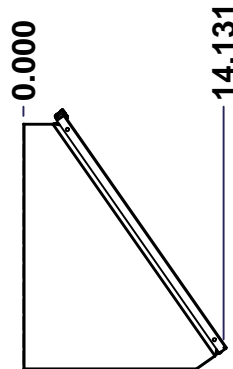
Ce dessin est confidentiel et ne doit pas être reproduit ou utilisé sans le consentement de EXM



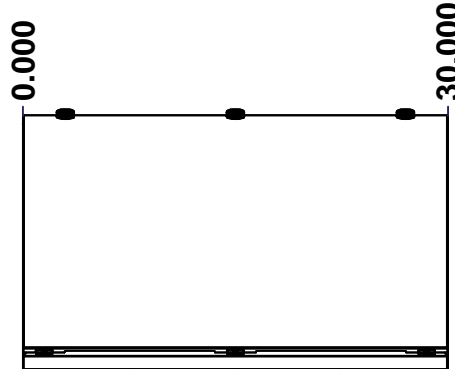
TOP



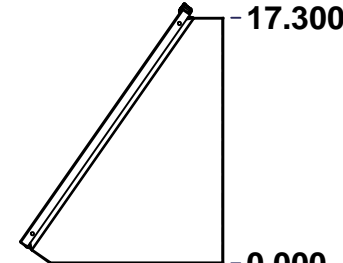
BACK



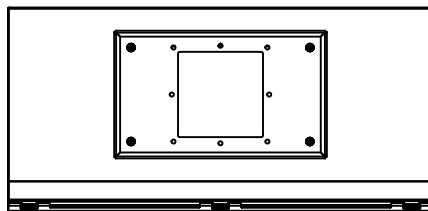
LEFT



FRONT

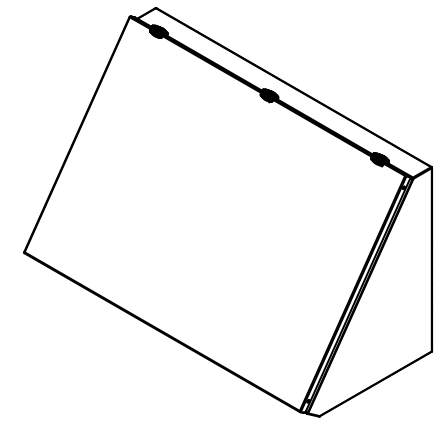


RIGHT



BOTTOM

No.	Revisions	Date	By/Par



Isometric View



Tél: (450) 979-4373
 Fax: (450) 979-4626
www.exmweb.com

Flatness
Aplatissement
Max 3.0mm
Projection

Customer Client	Date
Drawn By / Dessiné Par: BoxCad: BoxCad	Date: 02-Jul-13
Material / Matière: 16 Ga Cold Rolled A1008 CS Type B (1.4mm)	
Color / Couleur: Asa-61 Grey	Finish / Fini: Smooth
Description: 1412CSD 20" x 30" x 14.019" Assembly	Detail Rev.
Part Number / Numéro Pièce: 1412CSD203013	Rev. 0

SEE BILL OF MATERIAL ON LAST PAGE

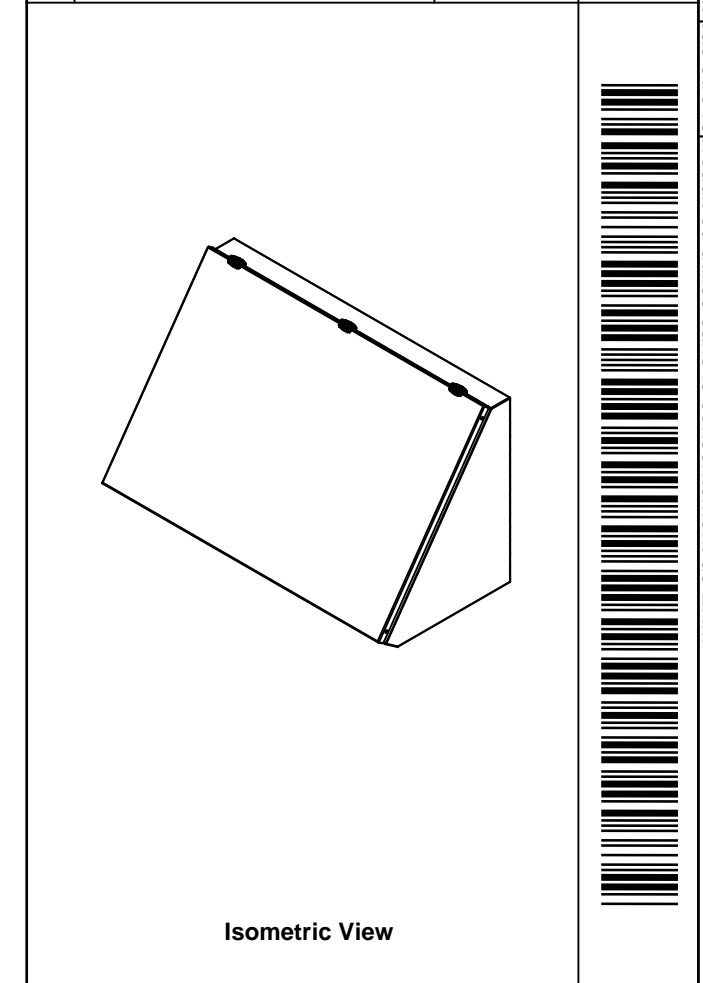
1
2


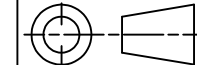
This drawing is confidential and must not be reproduced or used without the consent of EXM

Ce dessin est confidentiel et ne doit pas être reproduit ou utilisé sans le consentement de EXM

NOTE	
ITEM	DESCRIPTION
1	NEMA 4/12 Enclosure
2	C/W Standard ground standoffs on box and cover
3	W/O Standard door stiffener
4	W/O Inner panel
5	W/O Inner panel mounting standoffs

No.	Revisions	Date	By/Par



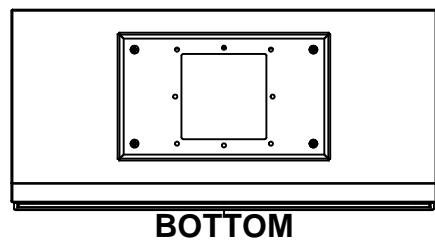
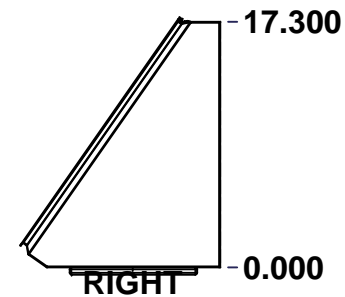
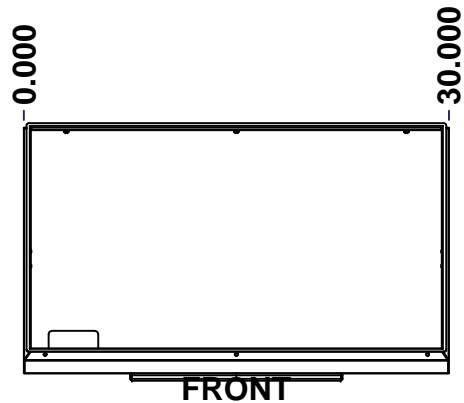
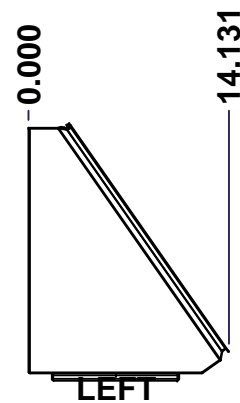
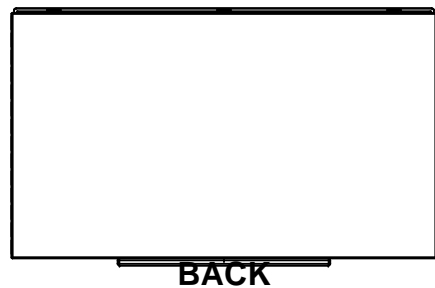
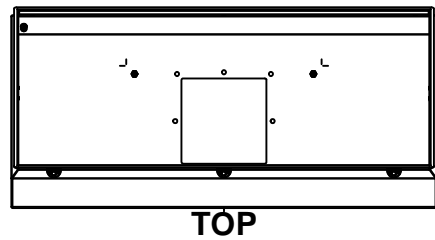
 Tél: (450) 979-4373 Fax: (450) 979-4626 www.exmweb.com		Flatness Aplatissement Max 3.0mm Projection 
Customer Client	Date	
Drawn By Dessiné Par	BoxCad: BoxCad	Date 02-Jul-13
Material Matière	16 Ga Cold Rolled A1008 CS Type B (1.4mm)	
Color Couleur	Asa-61 Grey	Finish Fini Smooth
Description	Detail Rev.	
1412CSD 20" x 30" x 14.019" Assembly		
Part Number Numéro Pièce	Rev.	2
1412CSD203013	0	2

PACKING		
ITEM	QTY	DESCRIPTION
Cardboard sleeve	2	Top and Bottom
Cardboard strip	2	Between back of enclosure and inner panel
Plastic bag	1	To protect cover surface and inside gasket
Plastic strap - Black	2	To Squeeze the 2 cardboard sleeve together
Packaging label	1	White label with product number

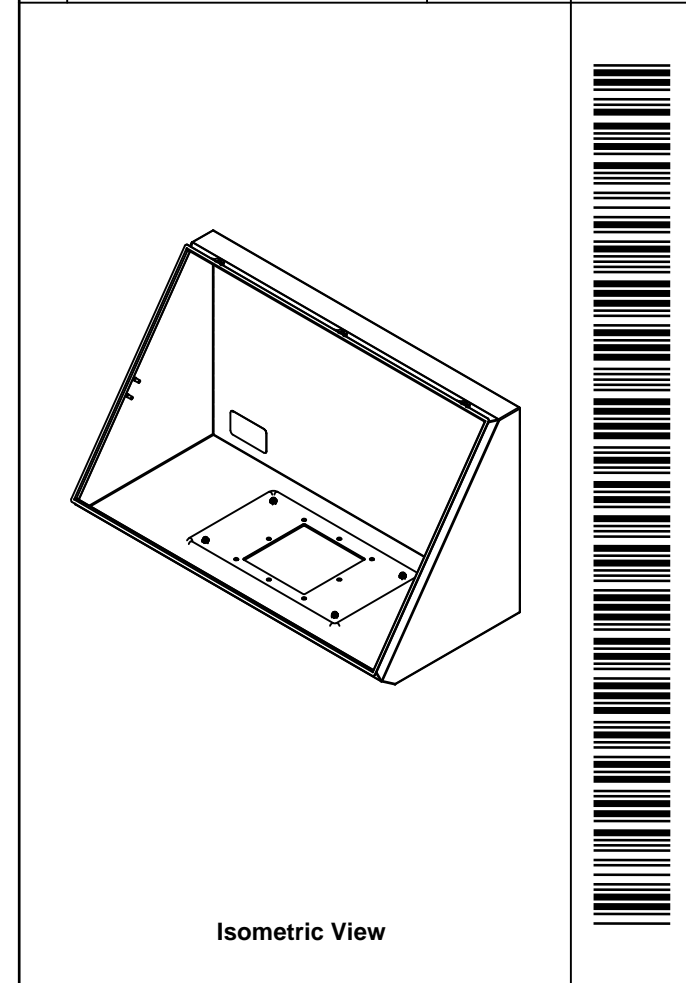
Qty	Part Number	Rev	Description
1	1412CSD203013C	0	1412CSD 20" x 30" Cover
1	1412CSD203013B	0	1412CSD 20" x 30" x 14.019" Body
2	880 GS115	0	Gas Spring 115N/12Kg/26Lbs
3	STK-Q-08100	1	M5 Nylon Insert Lock Nut
Parts List			

This drawing is confidential and must not be reproduced or used without the consent of EXM

Ce dessin est confidentiel et ne doit pas être reproduit ou utilisé sans le consentement de EXM



No.	Revisions	Date	By/Par



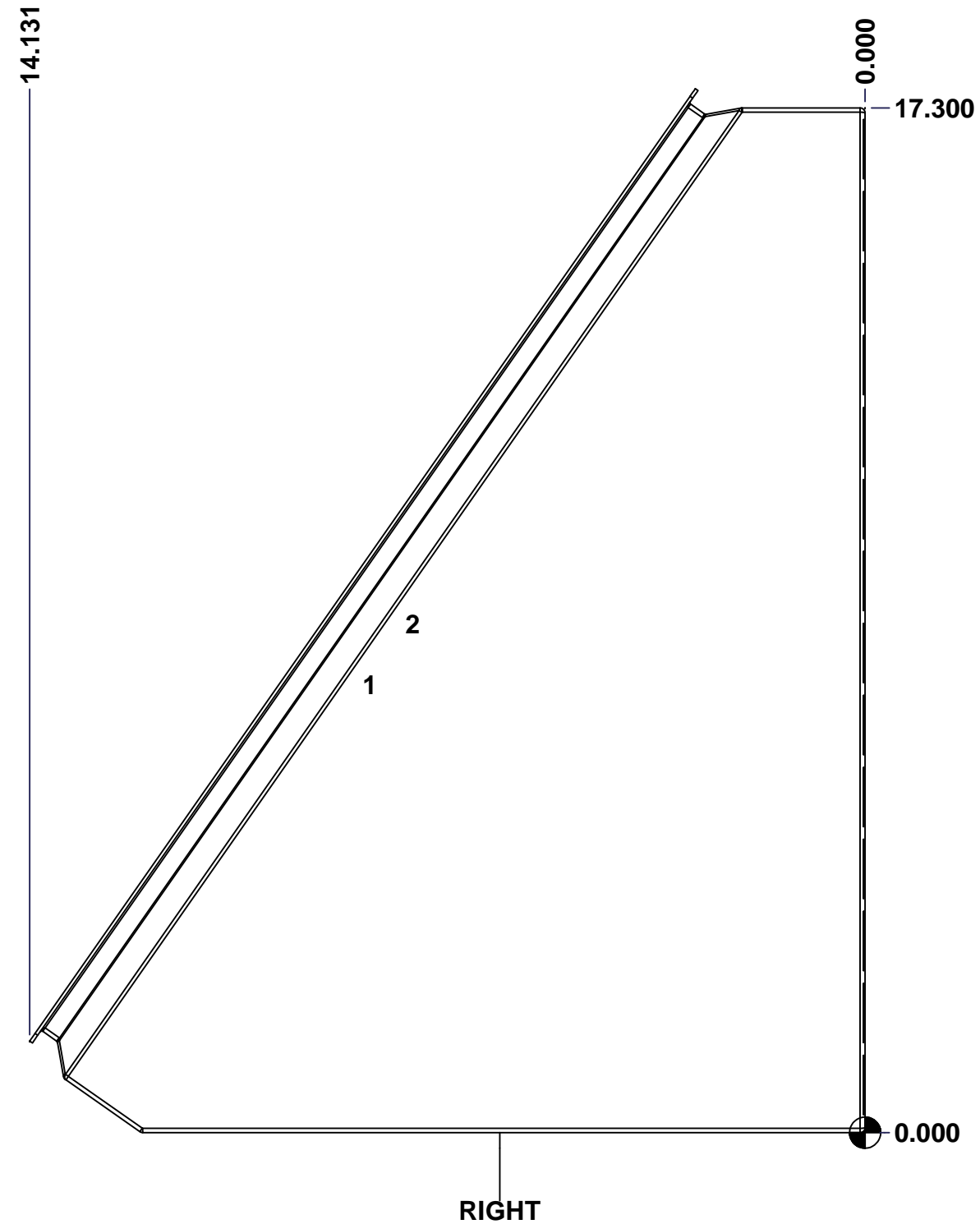
Tél: (450) 979-4373 Fax: (450) 979-4626 www.exmweb.com		Flatness Aplatissement	
		Max 3.0mm	
Customer Client		Date	
Drawn By Dessiné Par BoxCad: BoxCad		Date 02-Jul-13	
Material Matière 16 Ga Cold Rolled A1008 CS Type B (1.4mm)			
Color Couleur Asa-61 Grey		Finish Fini Smooth	
Description 1412CSD 20" x 30" x 14.019" Body			Detail Rev.
Part Number Numéro Pièce 1412CSD203013B		Rev. 0	1 7

SEE BILL OF MATERIAL ON LAST PAGE

This drawing is confidential and must not be reproduced or used without the consent of EXM

Ce dessin est confidentiel et ne doit pas être reproduit ou utilisé sans le consentement de EXM

STANDARD FEATURES ARE NOT LISTED IN THIS HOLE TABLE			
HOLE TABLE - RIGHT VIEW (CUSTOM FEATURE ONLY)			
CUT-OUT	XDIM	YDIM	DESCRIPTION
1	8.457	7.560	STUDSM5 x 12mm (Inside)
2	7.734	8.592	STUDSM5 x 12mm (Inside)

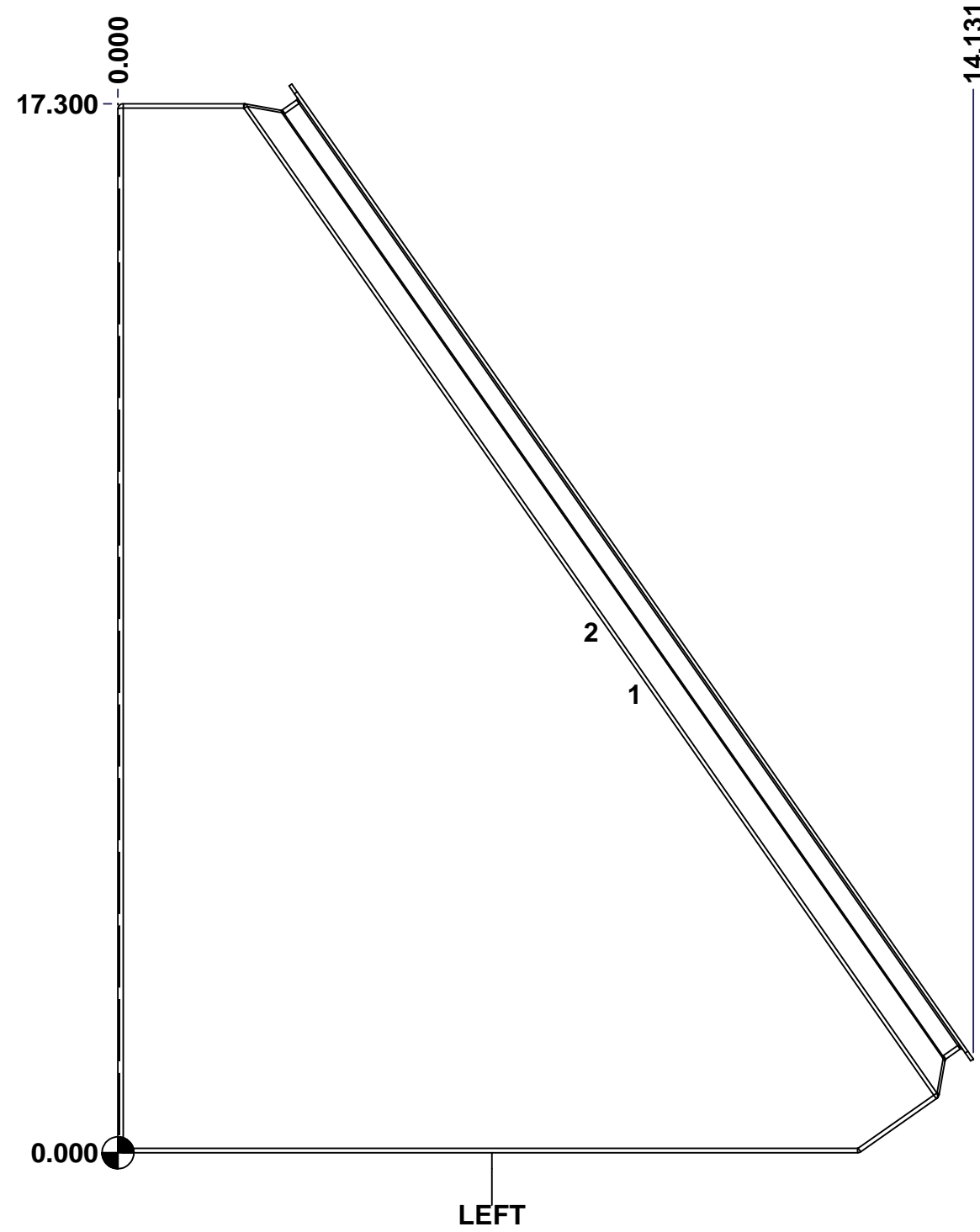


	Description	Status
	1412CSD 20" x 30" x 14.019" Body	(NULL)
	Part Number Numéro Pièce	Rev.
	1412CSD203013B	0
		3 / 7

This drawing is confidential and must not be reproduced or used without the consent of EXM

Ce dessin est confidentiel et ne doit pas être reproduit ou utilisé sans le consentement de EXM

STANDARD FEATURES ARE NOT LISTED IN THIS HOLE TABLE			
HOLE TABLE - LEFT VIEW (CUSTOM FEATURE ONLY)			
CUT-OUT	XDIM	YDIM	DESCRIPTION
1	8.457	7.560	STUDSM5 x 12mm (Inside)
2	7.734	8.592	STUDSM5 x 12mm (Inside)

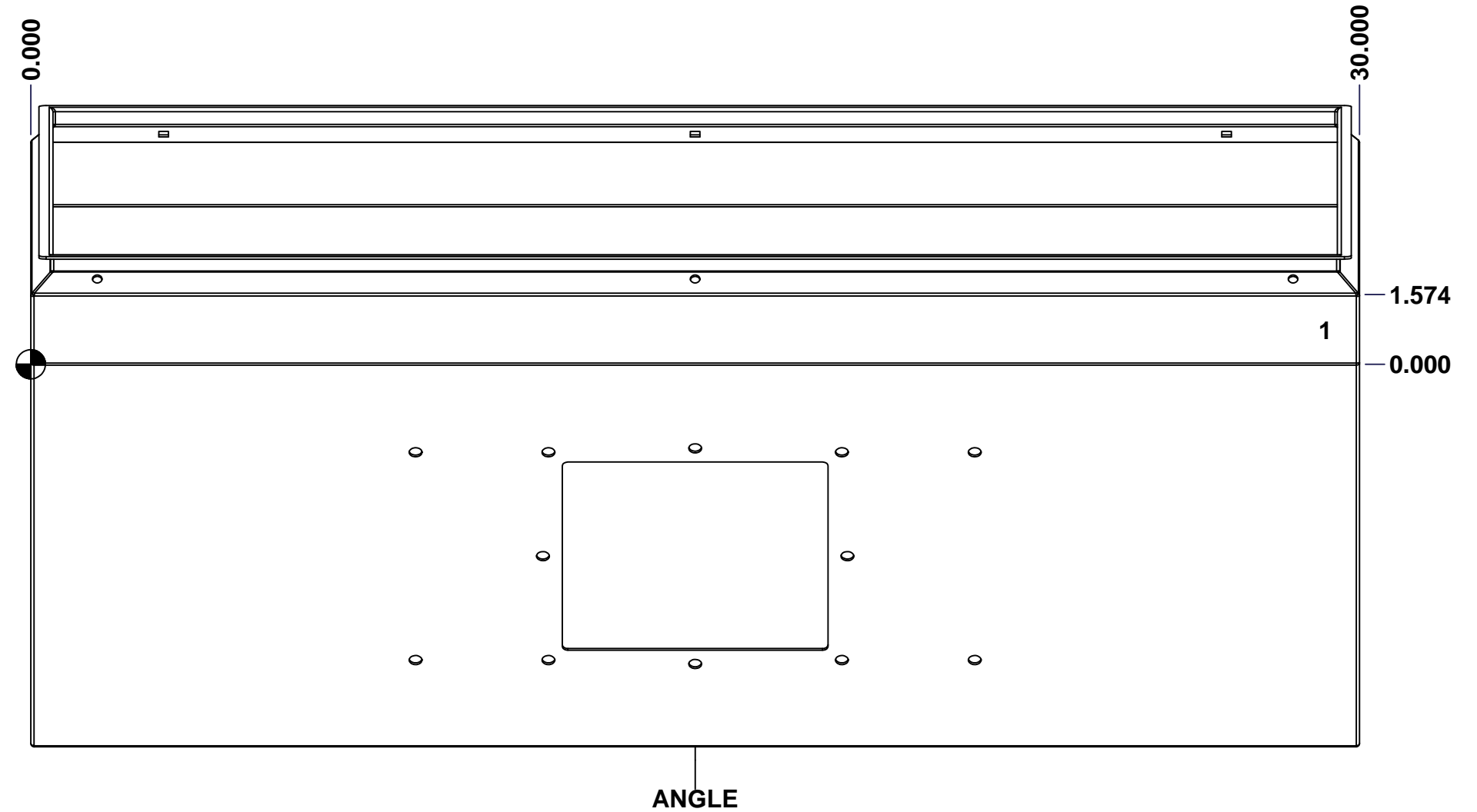


	Description	Status
	1412CSD 20" x 30" x 14.019" Body	(NULL)
	Part Number	Rev.
	Numéro Pièce	5
	1412CSD203013B	0
		7

This drawing is confidential and must not be reproduced or used without the consent of EXM

Ce dessin est confidentiel et ne doit pas être reproduit ou utilisé sans le consentement de EXM

STANDARD FEATURES ARE NOT LISTED IN THIS HOLE TABLE			
HOLE TABLE - ANGLE VIEW (CUSTOM FEATURE ONLY)			
CUT-OUT	XDIM	YDIM	DESCRIPTION
1	29.125	0.742	STANDOFF M6 x 10mm (Inside)

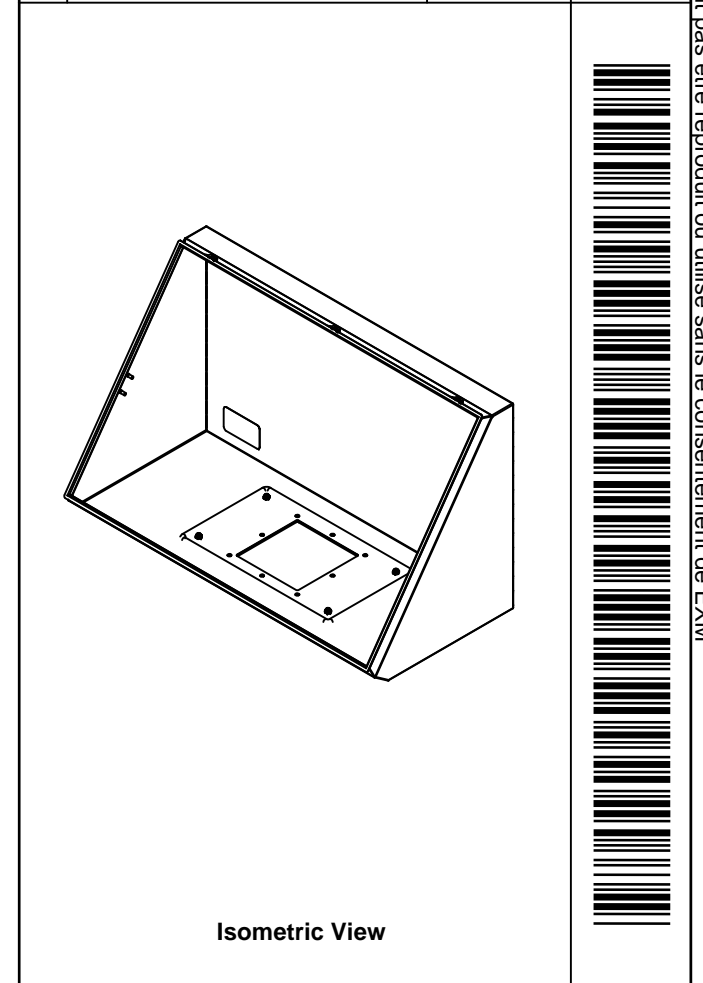


	Description	Status
	1412CSD 20" x 30" x 14.019" Body	(NULL)
	Part Number Numéro Pièce	Rev.
	1412CSD203013B	0
		4 / 7

This drawing is confidential and must not be reproduced or used without the consent of EXM

Ce dessin est confidentiel et ne doit pas être reproduit ou utilisé sans le consentement de EXM

No.	Revisions	Date	By/Par



EXM
www.exmweb.com

Tél: (450) 979-4373
Fax: (450) 979-4626
www.exmweb.com

Flatness
Aplatissement
Max 3.0mm

Projection

Customer Client
Date

Drawn By
Dessiné Par BoxCad: BoxCad
Date 02-Jul-13

Material
Matière 16 Ga Cold Rolled A1008 CS Type B (1.4mm)

Color
Couleur Asa-61 Grey
Finish
Fini Smooth

Description
1412CSD 20" x 30" x 14.019" Body
Detail Rev.

Part Number
Numéro Pièce
1412CSD203013B

Rev. 7
0 7

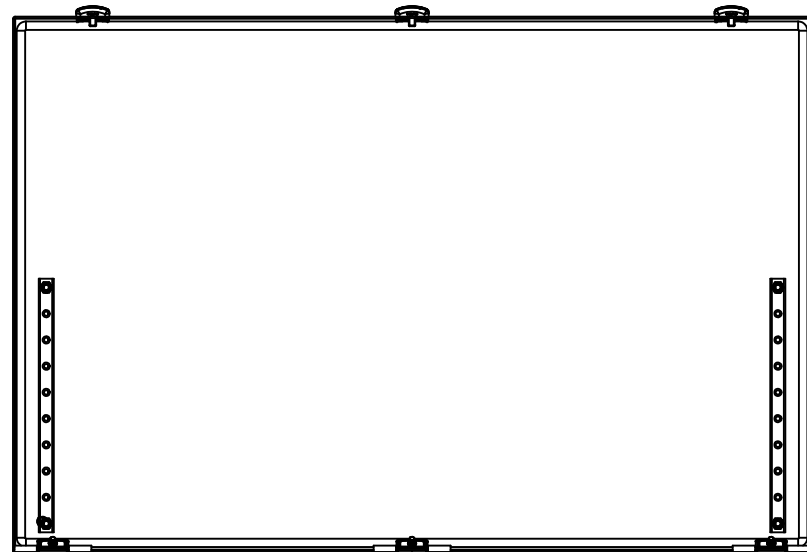
4	STUD_M5 x 12mm	0	Stud M5 x 12mm
1	STK-Q-08350	5	Standoff M6 x 10mm
1	STK-P-02400S	0	Powder Paint (Asa-61 Grey / Smooth)
1	STK-S-00100	0	3.5" x 2" Silver Milar Flexcon Sticker
1	1412CSD203013B-P	0	1412CSD 20" x 30" x 14.019" Body Part
1	1500CS_SUP	0	1500CS - Support Plate Part
3	STK-A-70469	6	5412 ESSMCH - Stainless Steel 316 Body Catch Assembly
3	STK-Q-08100	1	M5 Nylon Insert Lock Nut
Qty	Part_Number	Rev	Description
Parts List			

This drawing is confidential and must not be reproduced or used without the consent of EXM

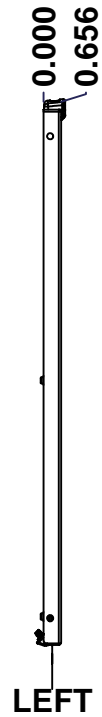
Ce dessin est confidentiel et ne doit pas être reproduit ou utilisé sans le consentement de EXM



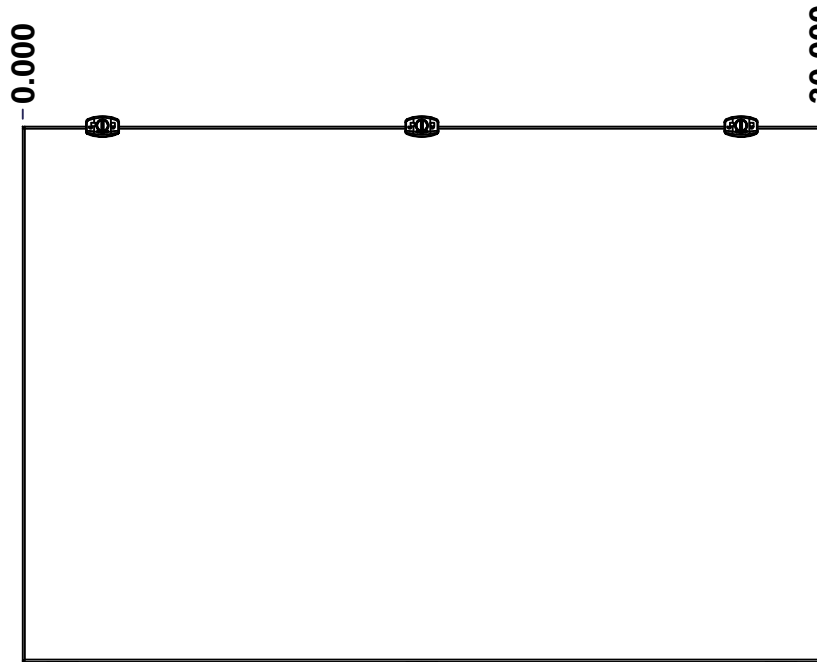
TOP



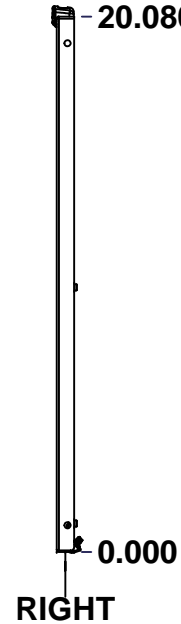
BACK



LEFT



FRONT

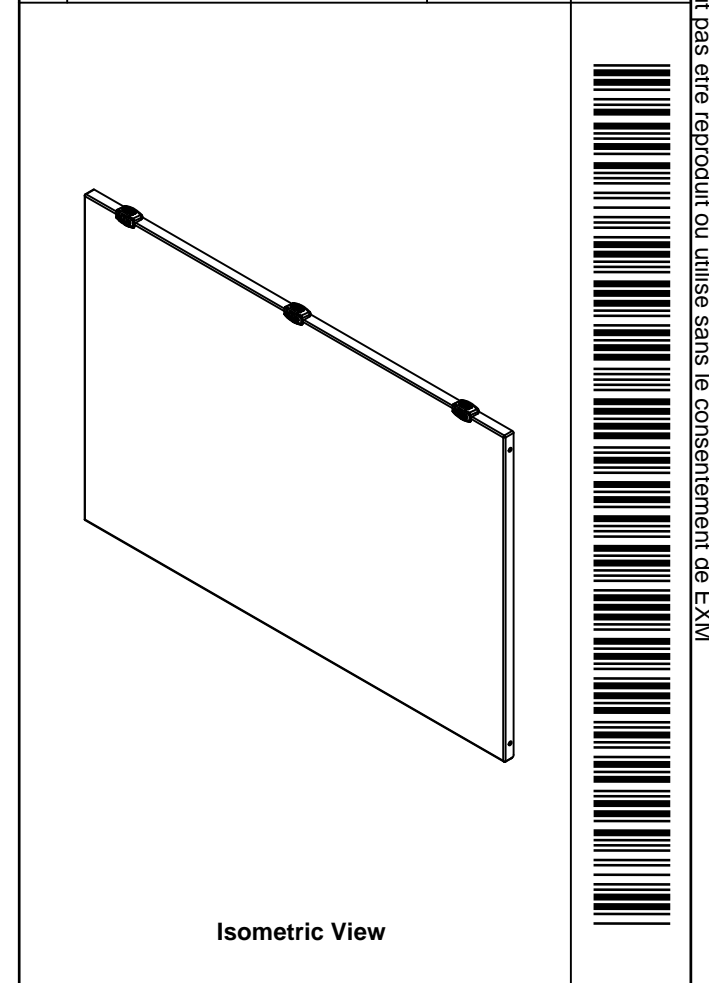


RIGHT




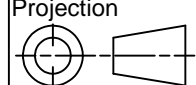
BOTTOM

No.	Revisions	Date	By/Par



Isometric View



 Tél: (450) 979-4373 Fax: (450) 979-4626 www.exmweb.com		Flatness Aplatissement Max 3.0mm Projection 
Customer Client	Date	
Drawn By Dessiné Par	BoxCad: BoxCad	Date 02-Jul-13
Material Matière	16 Ga Cold Rolled A1008 CS Type B (1.4mm)	
Color Couleur	Asa-61 Grey	Finish Fin Smooth
Description 1412CSD 20" x 30" Cover		Detail Rev.
Part Number Numéro Pièce	1412CSD203013C	Rev. 0

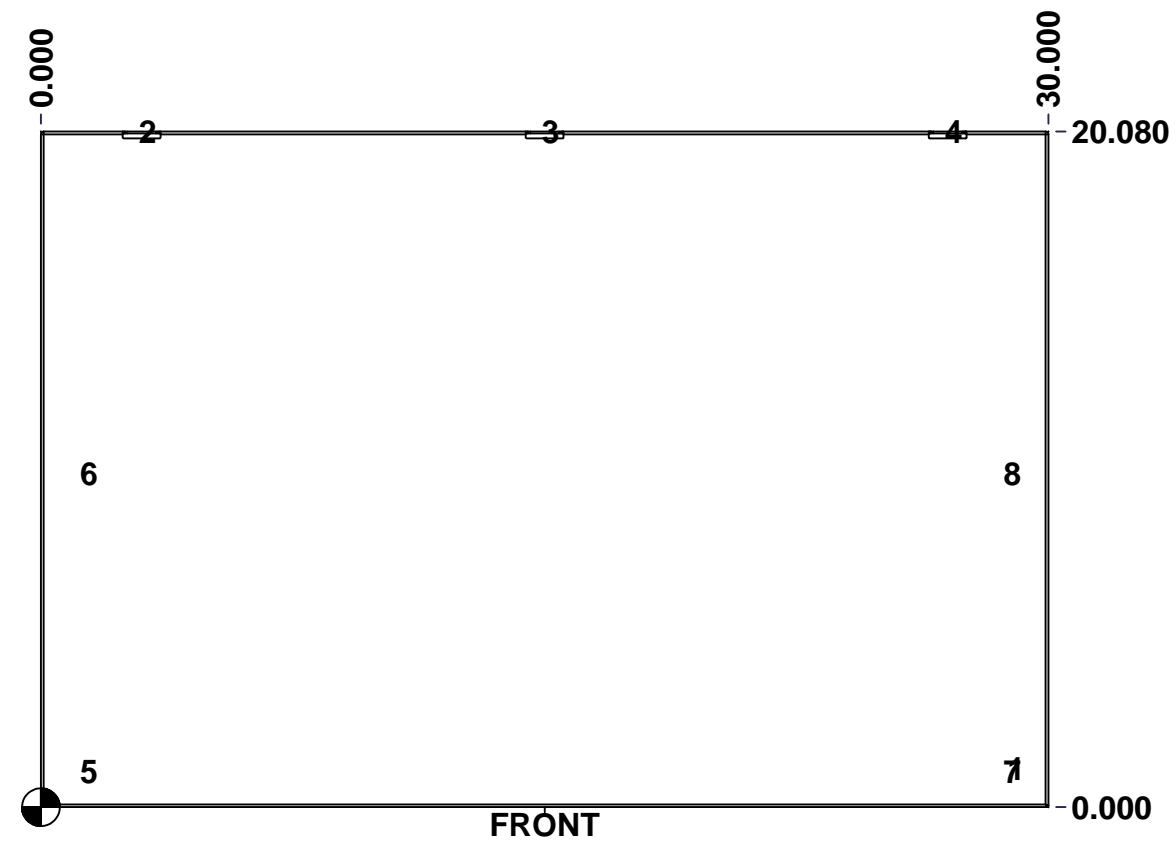
SEE BILL OF MATERIAL ON LAST PAGE

1
3

This drawing is confidential and must not be reproduced or used without the consent of EXM

Ce dessin est confidentiel et ne doit pas être reproduit ou utilisé sans le consentement de EXM

STANDARD FEATURES ARE NOT LISTED IN THIS HOLE TABLE			
HOLE TABLE - FRONT VIEW (CUSTOM FEATURE ONLY)			
CUT-OUT	XDIM	YDIM	DESCRIPTION
1	28.875	1.145	STANDOFF M6 x 10mm (Inside)
2	3.000	20.080	LOCK 880 SCQ2MS @ 90.0°
3	15.000	20.080	LOCK 880 SCQ2MS @ 90.0°
4	27.000	20.080	LOCK 880 SCQ2MS @ 90.0°
5	1.250	1.062	STUDS M6 x 18mm (Inside)
6	1.250	9.920	STUDS M6 x 18mm (Inside)
7	28.750	1.062	STUDS M6 x 18mm (Inside)
8	28.750	9.920	STUDS M6 x 18mm (Inside)

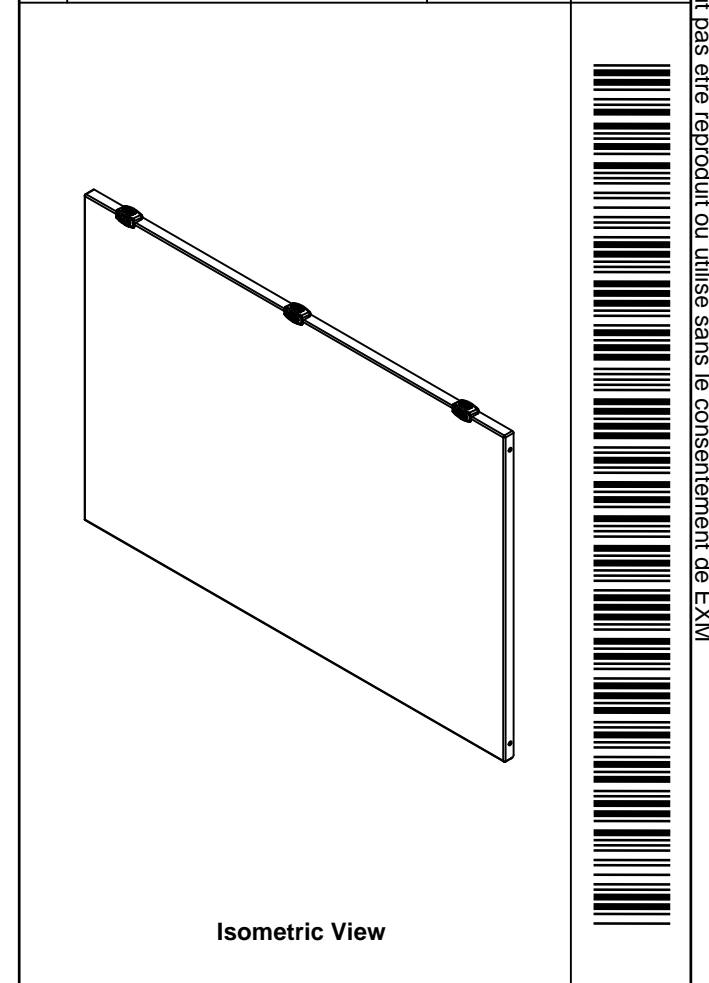


	Description	Status	
	1412CSD 20" x 30" Cover	(NULL)	
	Part Number Numéro Pièce	Rev.	
	1412CSD203013C	0	2 3

This drawing is confidential and must not be reproduced or used without the consent of EXM

Ce dessin est confidentiel et ne doit pas être reproduit ou utilisé sans le consentement de EXM

No.	Revisions	Date	By/Par



EXM
www.exm.com

Tél: (450) 979-4373
Fax: (450) 979-4626
www.exmweb.com

Flatness
Aplatissement
Max 3.0mm

Projection

Customer Client
Date

Drawn By
Dessiné Par BoxCad: BoxCad
Date 02-Jul-13

Material
Matière 16 Ga Cold Rolled A1008 CS Type B (1.4mm)

Color
Couleur Asa-61 Grey
Finish
Fini Smooth

Description
1412CSD 20" x 30" Cover
Detail Rev.

Part Number
Numéro Pièce
1412CSD203013C

Rev. 3
0 3

4	STK-Q-16055	1	M6 x 18mm Stud (No Paint Cap Required)
1	STK-Q-08350	5	Standoff M6 x 10mm
1	STK-P-02400S	0	Powder Paint (Asa-61 Grey / Smooth)
2	STK-Q-46020-12	5	5412 ES Vertical Door Stiffener 12"
1	1412CSD203013G	0	1412CSD 20" x 30" Gasket
1	1412CSD203013C-P	0	1412CSD 20" x 30" Cover Part
3	880SCQ2S	3	5412 ESMCH - External Lock Assy - Slot Lock
3	STK-A-33033	4	5412 ESMCH Hinge
4	STK-Q-07220	1	M6 Nylon Insert Lock Nut
Qty	Part Name	Rev	Description
Parts List			