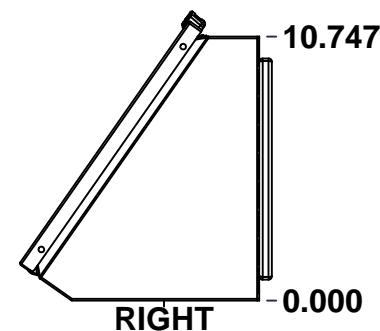
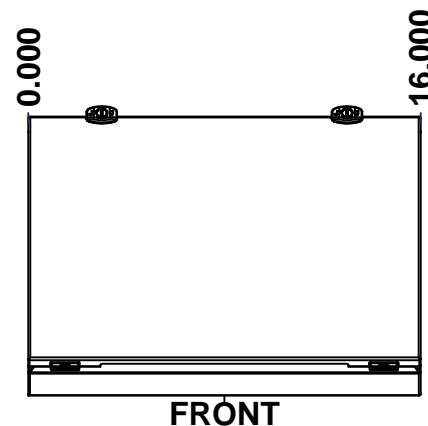
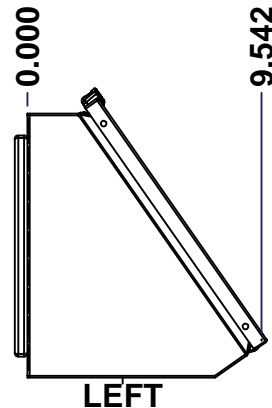
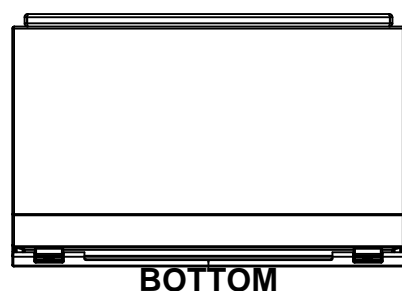
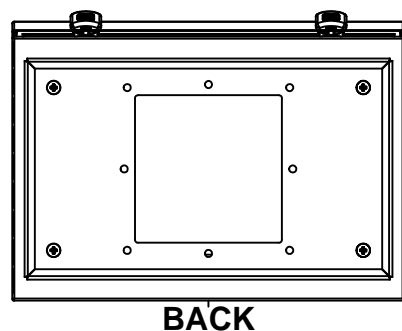
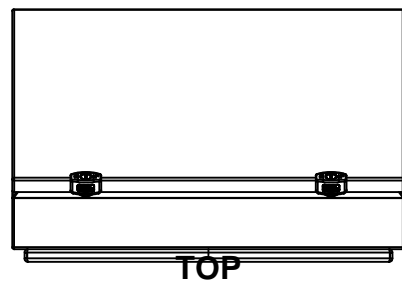
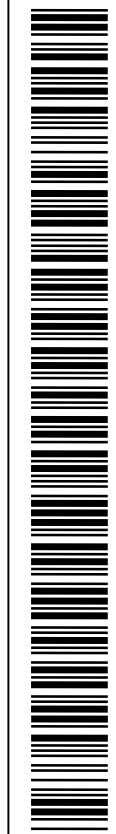
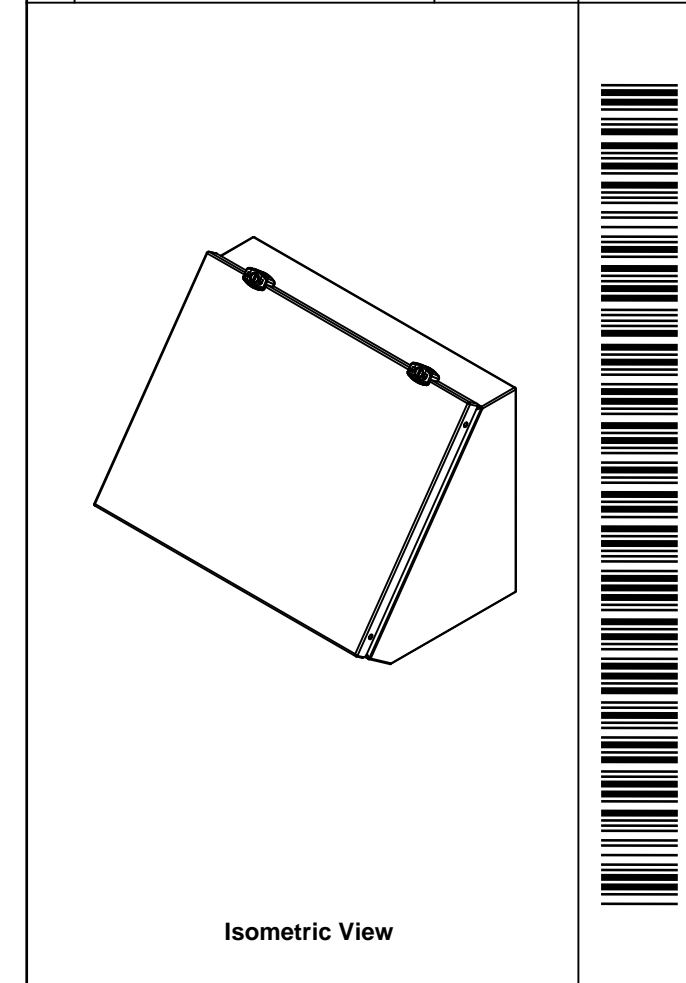


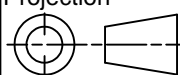
This drawing is confidential and must not be reproduced or used without the consent of EXM

Ce dessin est confidentiel et ne doit pas être reproduit ou utilisé sans le consentement de EXM



| No. | Revisions | Date | By/Par |
|-----|-----------|------|--------|
| | | | |
| | | | |
| | | | |
| | | | |



| | | |
|--|---|---|
|  Tél: (450) 979-4373 Fax: (450) 979-4626 www.exmweb.com | | Flatness Aplatissement Max 3.0mm Projection  |
| Customer Client | Date | |
| Drawn By Dessiné Par | BoxCad: BoxCad | Date 05-Dec-13 |
| Material Matière | 16 Ga Cold Rolled A1008 CS Type B (1.4mm) | |
| Color Couleur | Asa-61 Grey | Finish Fini Smooth |
| Description | 1412CSE 12" x 16" x 9.431" Assembly | |
| Part Number Numéro Pièce | Rev. 0 | 1 2 |

SEE BILL OF MATERIAL ON LAST PAGE

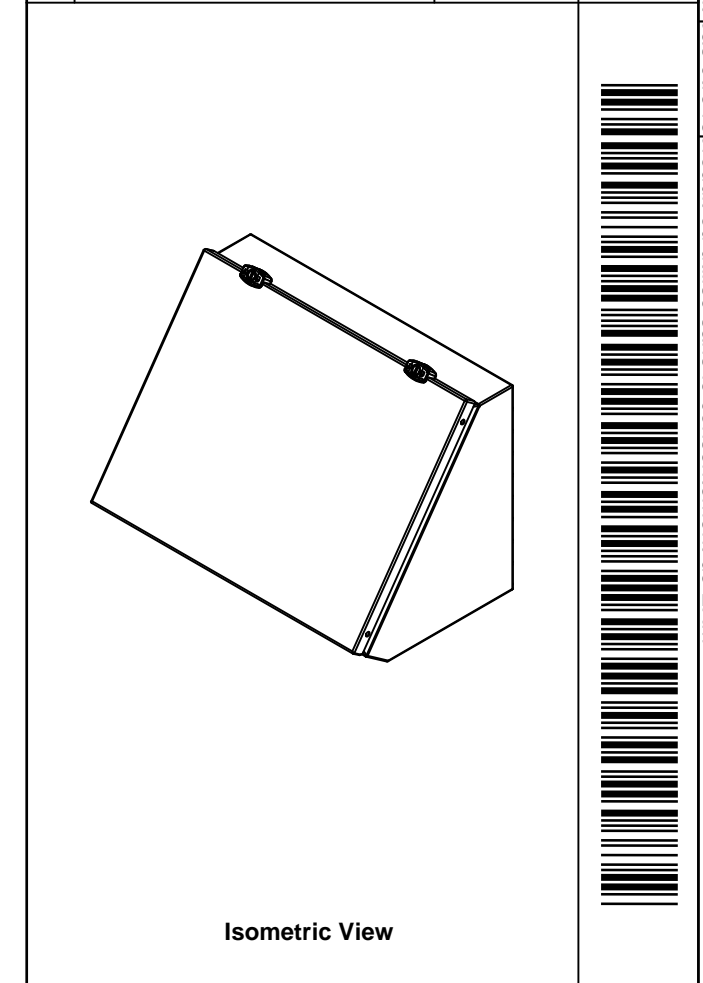
1412CSE121609


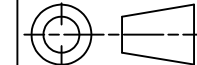
This drawing is confidential and must not be reproduced or used without the consent of EXM

Ce dessin est confidentiel et ne doit pas être reproduit ou utilisé sans le consentement de EXM

| NOTE | |
|------|--|
| ITEM | DESCRIPTION |
| 1 | NEMA 4/12 Enclosure |
| 2 | C/W Standard ground standoffs on box and cover |
| 3 | W/O Standard door stiffener |
| 4 | W/O Inner panel |
| 5 | W/O Inner panel mounting standoffs |

| No. | Revisions | Date | By/Par |
|-----|-----------|------|--------|
| | | | |
| | | | |
| | | | |
| | | | |
| | | | |
| | | | |



| | | |
|--|---|---|
|  Tél: (450) 979-4373 Fax: (450) 979-4626 www.exmweb.com | | Flatness Aplatissement Max 3.0mm Projection  |
| Customer Client | Date | |
| Drawn By Dessiné Par | BoxCad: BoxCad | Date 05-Dec-13 |
| Material Matière | 16 Ga Cold Rolled A1008 CS Type B (1.4mm) | |
| Color Couleur | Asa-61 Grey | Finish Fini Smooth |
| Description | Detail Rev. | |
| 1412CSE 12" x 16" x 9.431" Assembly | | |
| Part Number Numéro Pièce | 1412CSE121609 | Rev. 2 0 |

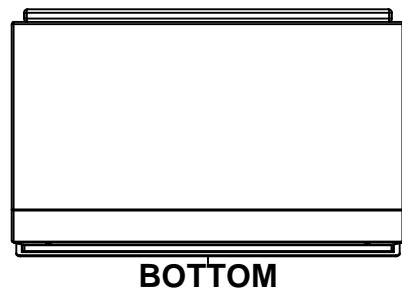
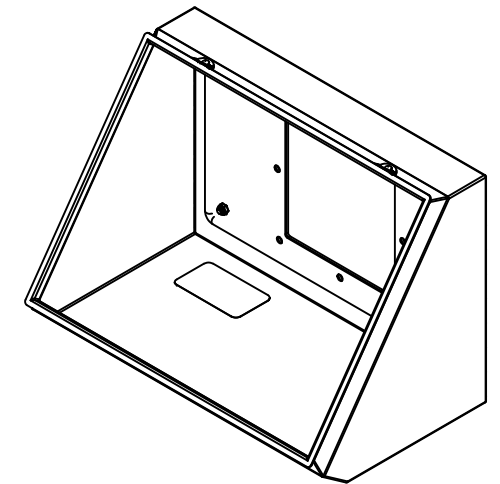
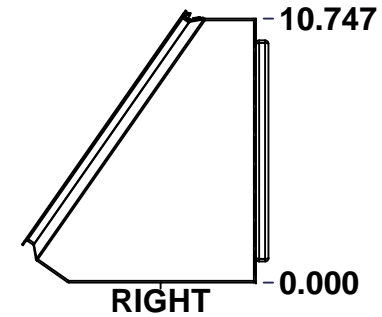
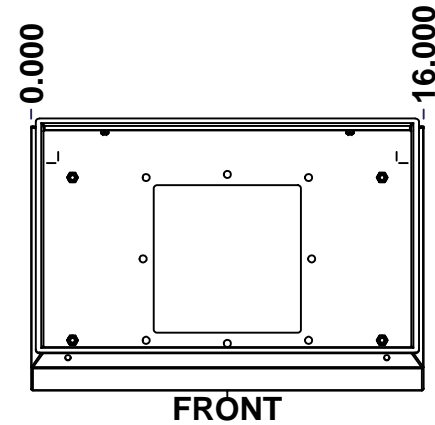
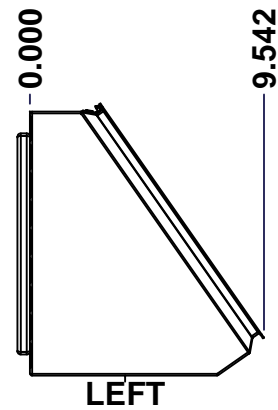
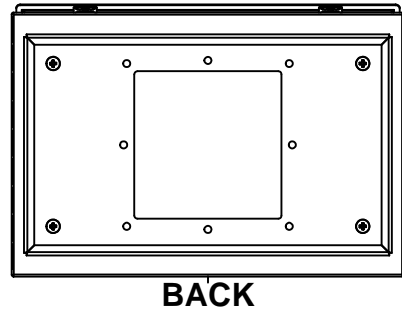
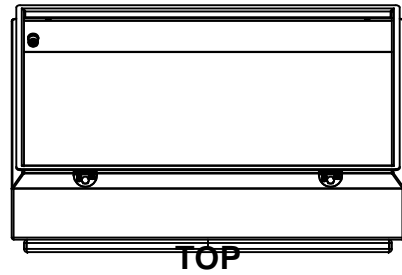
| PACKING | | |
|-----------------------|-----|--|
| ITEM | QTY | DESCRIPTION |
| Cardboard sleeve | 2 | Top and Bottom |
| Cardboard strip | 2 | Between back of enclosure and inner panel |
| Plastic bag | 1 | To protect cover surface and inside gasket |
| Plastic strap - Black | 2 | To Squeeze the 2 cardboard sleeve together |
| Packaging label | 1 | White label with product number |


| Qty | Part Number | Rev | Description |
|------------|----------------|-----|---------------------------------|
| 1 | 1412CSE121609C | 0 | 1412CSE 12" x 16" Cover |
| 1 | 1412CSE121609B | 0 | 1412CSE 12" x 16" x 9.431" Body |
| 2 | STK-Q-08100 | 1 | M5 Nylon Insert Lock Nut |
| Parts List | | | |

This drawing is confidential and must not be reproduced or used without the consent of EXM

Ce dessin est confidentiel et ne doit pas être reproduit ou utilisé sans le consentement de EXM

| No. | Revisions | Date | By/Par |
|-----|-----------|------|--------|
| | | | |
| | | | |
| | | | |
| | | | |



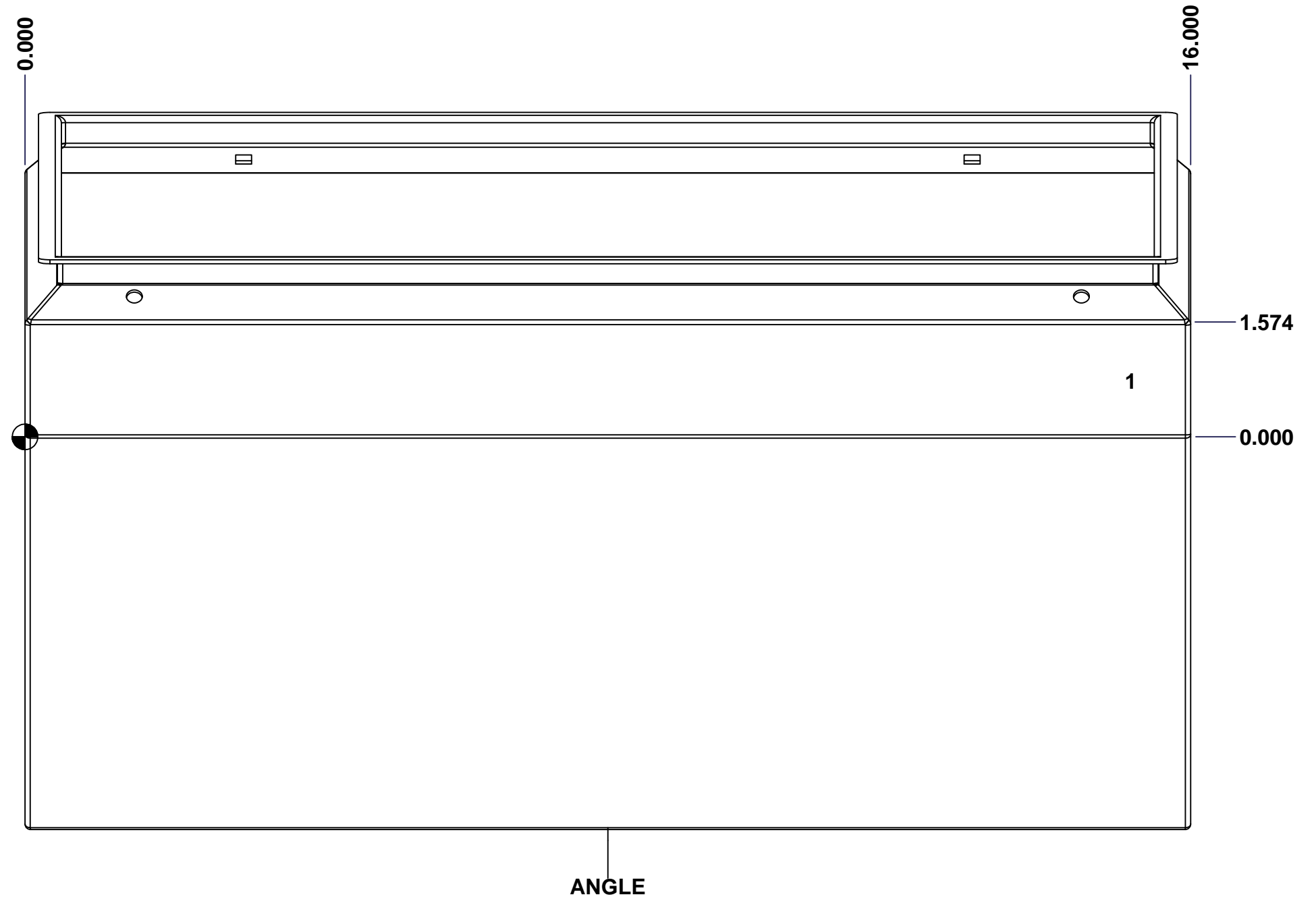
| | | | |
|--|--|---------------------------|-------------|
|  Tél: (450) 979-4373 Fax: (450) 979-4626 www.exmweb.com | | Flatness Aplatissement | |
| | | Max 3.0mm | |
| Customer Client | | Date | |
| Drawn By Dessiné Par BoxCad: BoxCad | | Date 05-Dec-13 | |
| Material Matière 16 Ga Cold Rolled A1008 CS Type B (1.4mm) | | | |
| Color Couleur Asa-61 Grey | | Finish Fini Smooth | |
| Description 1412CSE 12" x 16" x 9.431" Body | | | Detail Rev. |
| Part Number Numéro Pièce 1412CSE121609B | | Rev. 0 | 1 / 7 |

SEE BILL OF MATERIAL ON LAST PAGE

This drawing is confidential and must not be reproduced or used without the consent of EXM

Ce dessin est confidentiel et ne doit pas être reproduit ou utilisé sans le consentement de EXM

| STANDARD FEATURES ARE NOT LISTED IN THIS HOLE TABLE | | | |
|--|--------|-------|-----------------------------|
| HOLE TABLE - ANGLE VIEW (CUSTOM FEATURE ONLY) | | | |
| CUT-OUT | XDIM | YDIM | DESCRIPTION |
| 1 | 15.125 | 0.742 | STANDOFF M6 x 10mm (Inside) |

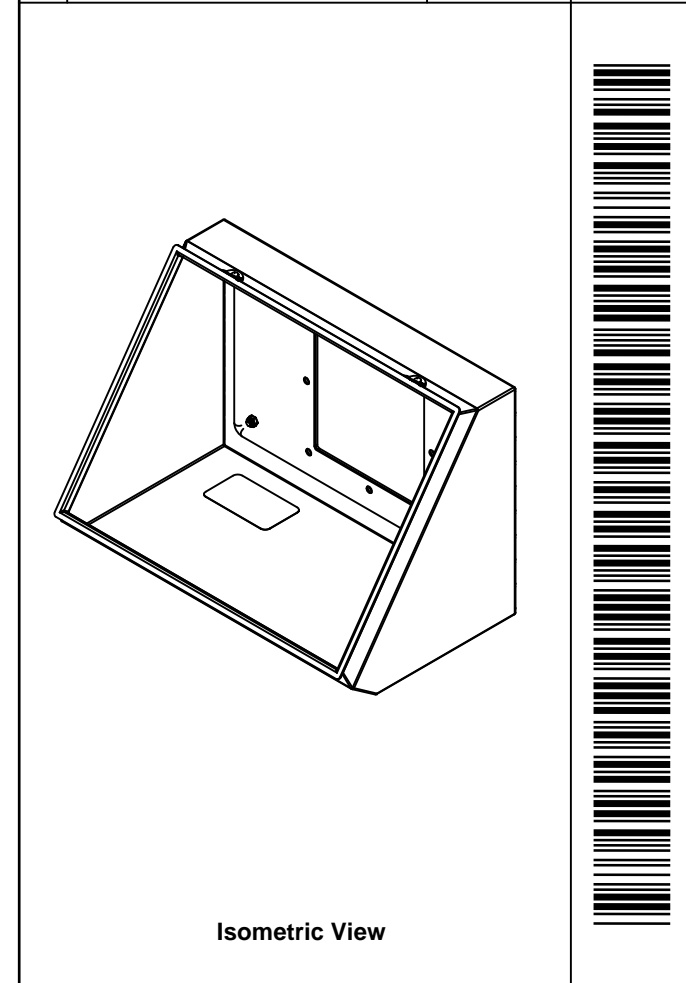



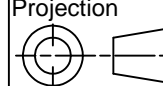
| | | | |
|--|---------------------------------|----------|-------|
| | Description | Status | |
| | 1412CSE 12" x 16" x 9.431" Body | (NULL) | |
| | Part Number Numéro Pièce | Rev. | |
| | 1412CSE121609B | 0 | 4 / 7 |

This drawing is confidential and must not be reproduced or used without the consent of EXM

Ce dessin est confidentiel et ne doit pas être reproduit ou utilisé sans le consentement de EXM

| No. | Revisions | Date | By/Par |
|-----|-----------|------|--------|
| | | | |
| | | | |
| | | | |
| | | | |
| | | | |

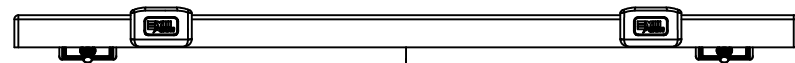


| | | |
|--|------------------------------|---|
|  Tél: (450) 979-4373 Fax: (450) 979-4626 www.exmweb.com | | Flatness Aplatissement Max 3.0mm Projection  |
| Customer Client | Date | |
| Drawn By / Dessiné Par: BoxCad: BoxCad | Date: 05-Dec-13 | |
| Material / Matière: 16 Ga Cold Rolled A1008 CS Type B (1.4mm) | Color / Couleur: Asa-61 Grey | |
| Description: 1412CSE 12" x 16" x 9.431" Body | | Finish / Fini: Smooth |
| Part Number / Numéro Pièce: 1412CSE121609B | Rev. 0 | 7 |

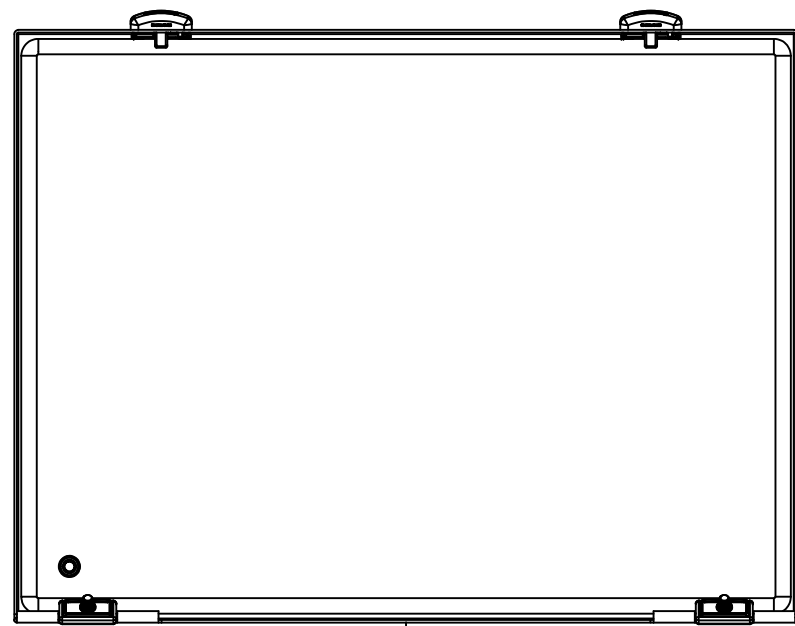
| Qty | Part_Number | Rev | Description |
|------------|------------------|-----|---|
| 1 | STK-Q-08350 | 5 | Standoff M6 x 10mm |
| 1 | STK-P-02400S | 0 | Powder Paint (Asa-61 Grey / Smooth) |
| 1 | STK-S-00100 | 0 | 3.5" x 2" Silver Milar Flexcon Sticker |
| 1 | 1412CSE121609B-P | 0 | 1412CSE 12" x 16" x 9.431" Body Part |
| 1 | 1500CS_SUP | 0 | 1500CS - Support Plate Part |
| 2 | STK-A-70469 | 6 | 5412 ESSMCH - Stainless Steel 316 Body Catch Assembly |
| 2 | STK-Q-08100 | 1 | M5 Nylon Insert Lock Nut |
| Parts List | | | |

This drawing is confidential and must not be reproduced or used without the consent of EXM

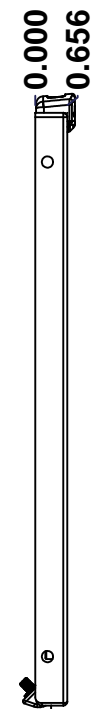
Ce dessin est confidentiel et ne doit pas être reproduit ou utilisé sans le consentement de EXM



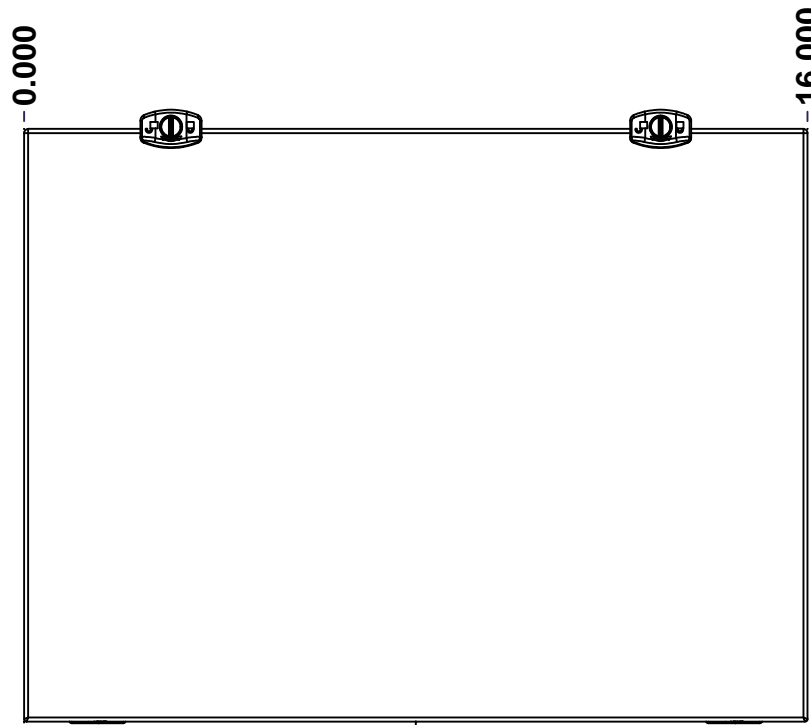
TOP



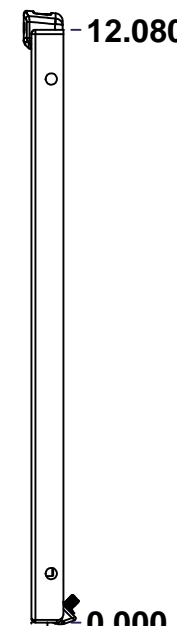
BACK



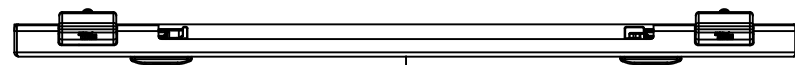
LEFT



FRONT

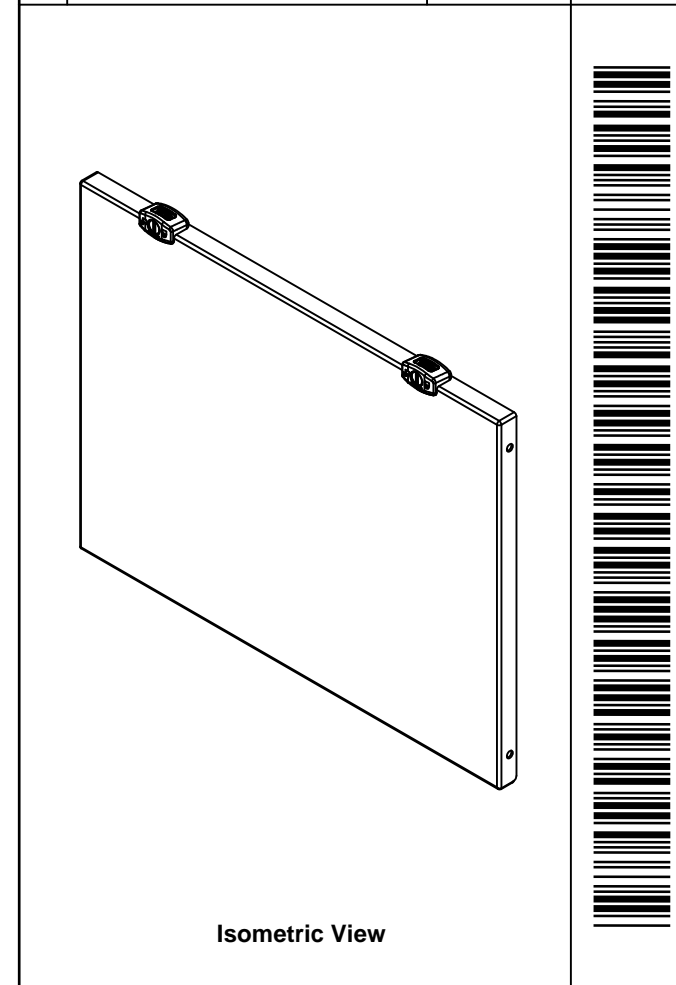



RIGHT



BOTTOM

| No. | Revisions | Date | By/Par |
|-----|-----------|------|--------|
| | | | |
| | | | |
| | | | |
| | | | |



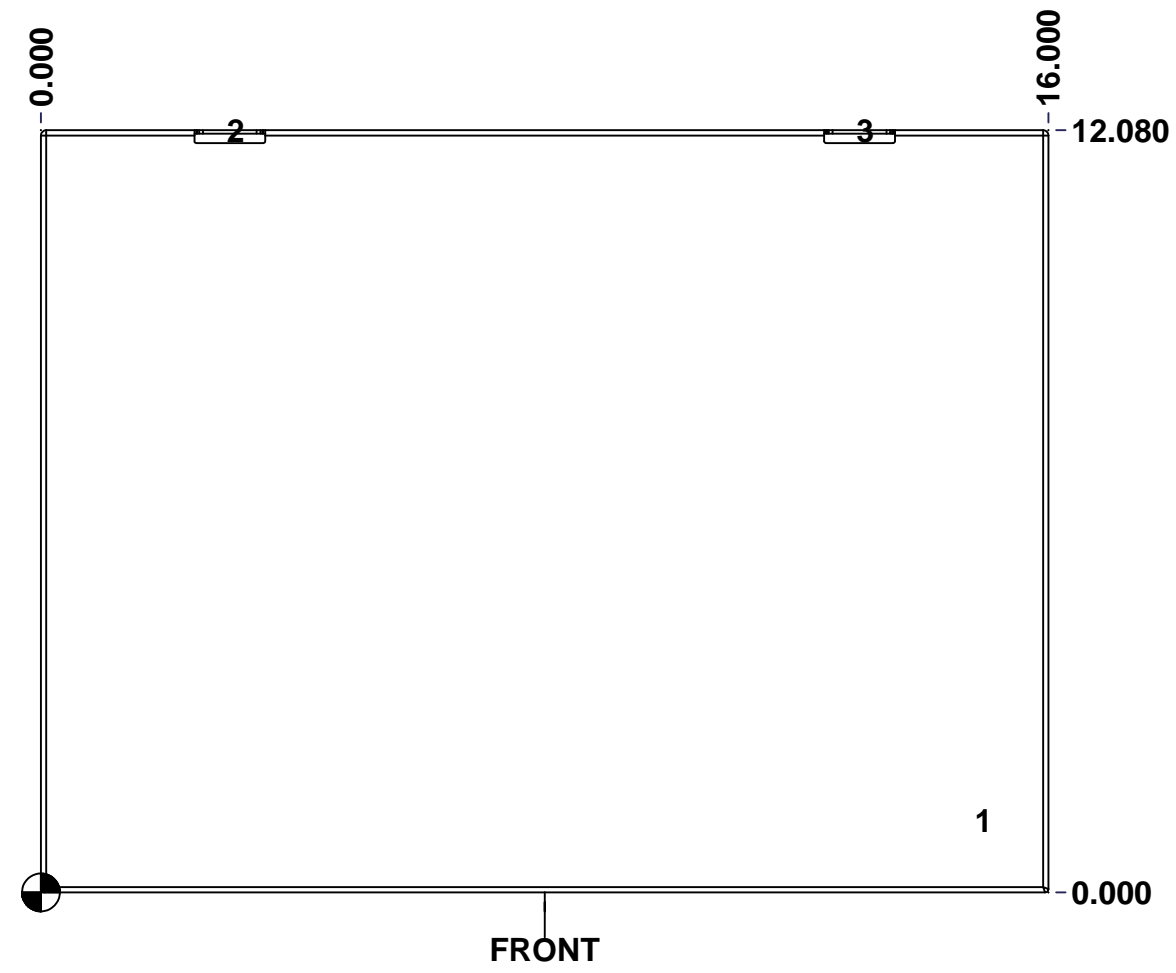
| | | | |
|--|--|---------------------------|-------------|
|  Tél: (450) 979-4373 Fax: (450) 979-4626 www.exmweb.com | | Flatness Aplatissement | |
| | | Max 3.0mm | |
| Customer Client | | Date | |
| Drawn By Dessiné Par BoxCad: BoxCad | | Date 05-Dec-13 | |
| Material Matière 16 Ga Cold Rolled A1008 CS Type B (1.4mm) | | | |
| Color Couleur Asa-61 Grey | | Finish Fini Smooth | |
| Description 1412CSE 12" x 16" Cover | | | Detail Rev. |
| Part Number Numéro Pièce 1412CSE121609C | | Rev. 0 | 1 3 |

SEE BILL OF MATERIAL ON LAST PAGE

This drawing is confidential and must not be reproduced or used without the consent of EXM

Ce dessin est confidentiel et ne doit pas être reproduit ou utilisé sans le consentement de EXM

| STANDARD FEATURES ARE NOT LISTED IN THIS HOLE TABLE | | | |
|---|--------|--------|-----------------------------|
| HOLE TABLE - FRONT VIEW (CUSTOM FEATURE ONLY) | | | |
| CUT-OUT | XDIM | YDIM | DESCRIPTION |
| 1 | 14.875 | 1.145 | STANDOFF M6 x 10mm (Inside) |
| 2 | 3.000 | 12.080 | LOCK 880 SCQ2MS @ 90.0° |
| 3 | 13.000 | 12.080 | LOCK 880 SCQ2MS @ 90.0° |

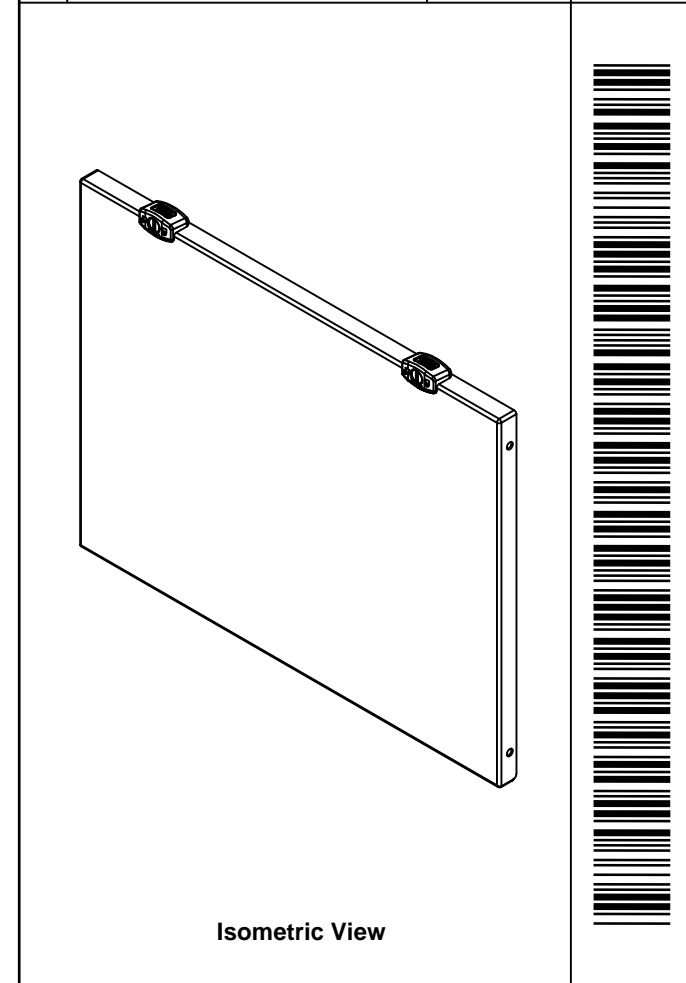



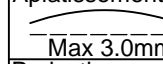
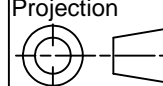
| | | | |
|--|-----------------------------|----------|--------|
| | Description | Status | |
| | 1412CSE 12" x 16" Cover | (NULL) | |
| | Part Number Numéro Pièce | Rev. | |
| | 1412CSE121609C | 0 | 2 3 |

This drawing is confidential and must not be reproduced or used without the consent of EXM

Ce dessin est confidentiel et ne doit pas être reproduit ou utilisé sans le consentement de EXM

| No. | Revisions | Date | By/Par |
|-----|-----------|------|--------|
| | | | |
| | | | |
| | | | |
| | | | |
| | | | |



| | | |
|--|---|---|
|  Tél: (450) 979-4373 Fax: (450) 979-4626 www.exmweb.com | | Flatness Aplatissement  Max 3.0mm Projection  |
| Customer Client | Date | |
| Drawn By Dessiné Par | BoxCad: BoxCad | Date 05-Dec-13 |
| Material Matière | 16 Ga Cold Rolled A1008 CS Type B (1.4mm) | |
| Color Couleur | Asa-61 Grey | Finish Fini Smooth |
| Description | | Detail Rev. |
| 1412CSE 12" x 16" Cover | | |
| Part Number Numéro Pièce | Rev. | 3 |
| 1412CSE121609C | 0 | 3 |

| Qty | Part Name | Rev | Description |
|------------|------------------|-----|---|
| 1 | STK-Q-08350 | 5 | Standoff M6 x 10mm |
| 1 | STK-P-02400S | 0 | Powder Paint (Asa-61 Grey / Smooth) |
| 1 | 1412CSE121609G | 0 | 1412CSE 12" x 16" Gasket |
| 1 | 1412CSE121609C-P | 0 | 1412CSE 12" x 16" Cover Part |
| 2 | 880SCQ2S | 3 | 5412 ESMCH - External Lock Assy - Slot Lock |
| 2 | STK-A-33033 | 4 | 5412 ESMCH Hinge |
| Parts List | | | |