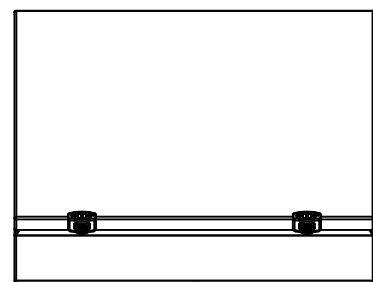
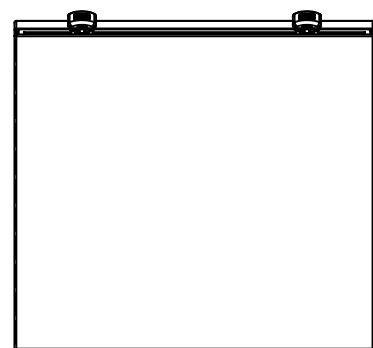


This drawing is confidential and must not be reproduced or used without the consent of EXM

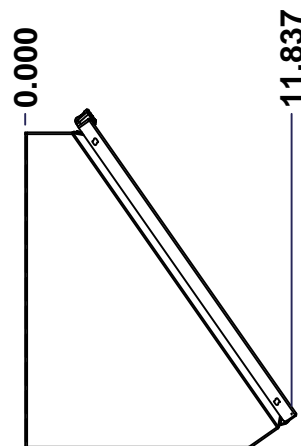
Ce dessin est confidentiel et ne doit pas être reproduit ou utilisé sans le consentement de EXM



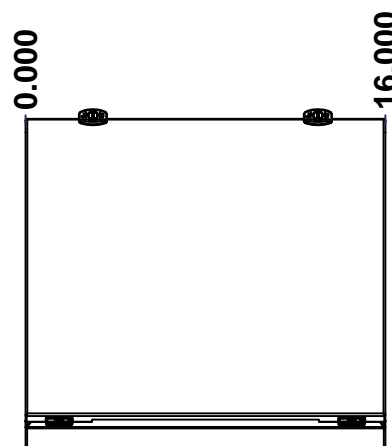
TOP



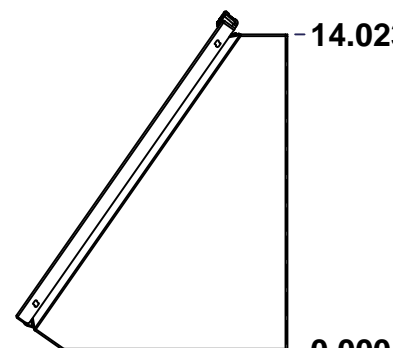
BACK



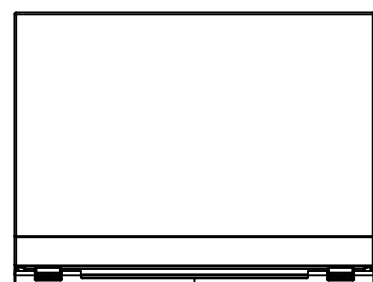
LEFT



FRONT

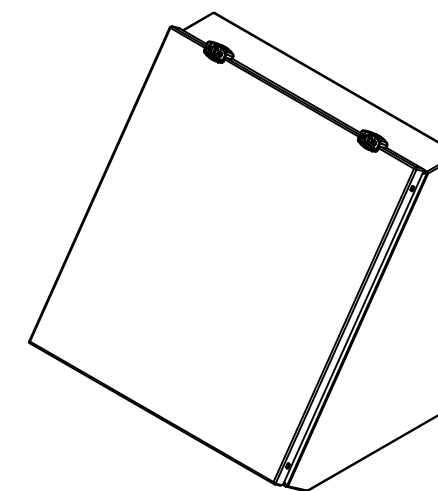


RIGHT



BOTTOM

No.	Revisions	Date	By/Par



Isometric View



Tél: (450) 979-4373
 Fax: (450) 979-4626
www.exmweb.com

Flatness
Aplatissement
Max 3.0mm
Projection

Customer Client	Date
Drawn By / Dessiné Par: BoxCad: BoxCad	Date: 06-Dec-13
Material / Matière: 16 Ga Stainless Steel 304 (1.4mm)	
Color / Couleur: Unpainted	Finish / Fini: Brushed
Description: 1412CSS 16" x 16" x 11.725" Assembly	Detail Rev.
Part Number / Numéro Pièce: 1412CSS161611	Rev. 0

SEE BILL OF MATERIAL ON LAST PAGE

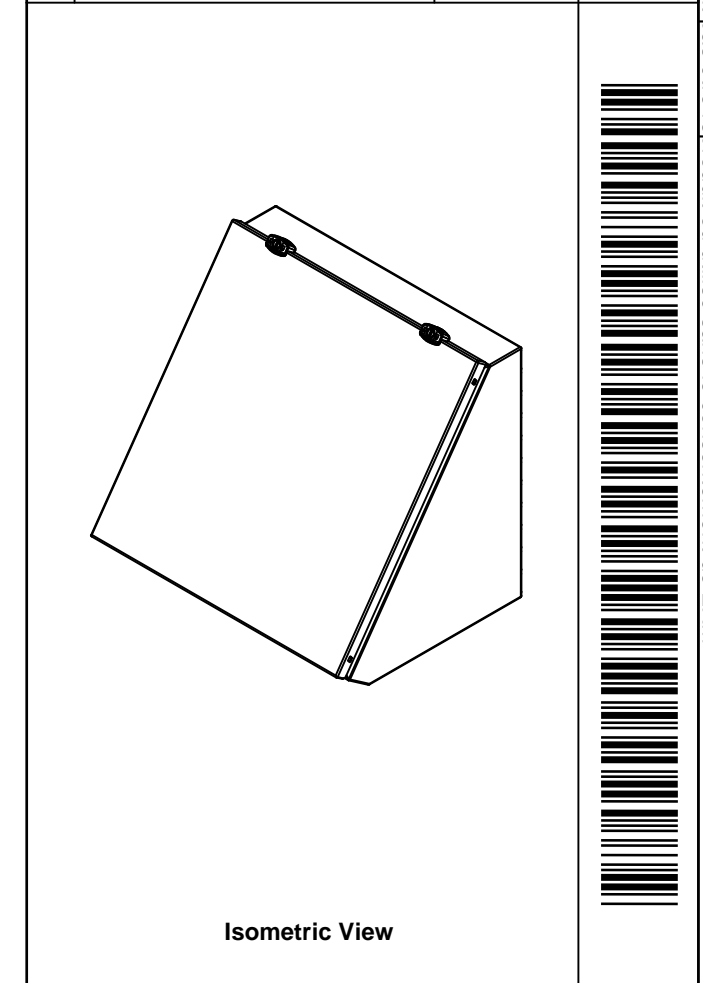
1	2
0	


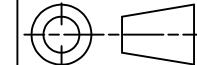
This drawing is confidential and must not be reproduced or used without the consent of EXM

Ce dessin est confidentiel et ne doit pas être reproduit ou utilisé sans le consentement de EXM

NOTE	
ITEM	DESCRIPTION
1	NEMA 4X Enclosure
2	C/W Standard ground standoffs on box and cover
3	W/O Standard door stiffener
4	W/O Inner panel
5	W/O Inner panel mounting standoffs

No.	Revisions	Date	By/Par



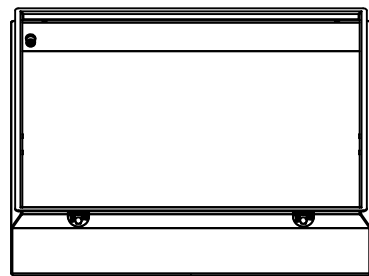
 Tél: (450) 979-4373 Fax: (450) 979-4626 www.exmweb.com		Flatness Aplatissement Max 3.0mm Projection 
Customer Client	Date	
Drawn By Dessiné Par	BoxCad: BoxCad	Date 06-Dec-13
Material Matière	16 Ga Stainless Steel 304 (1.4mm)	
Color Couleur	Unpainted	Finish Fini Brushed
Description	Detail Rev.	
1412CSS 16" x 16" x 11.725" Assembly		
Part Number Numéro Pièce	Rev.	2
1412CSS161611	0	2

PACKING		
ITEM	QTY	DESCRIPTION
Cardboard sleeve	2	Top and Bottom
Cardboard strip	2	Between back of enclosure and inner panel
Plastic bag	1	To protect cover surface and inside gasket
Plastic strap - Black	2	To Squeeze the 2 cardboard sleeve together
Packaging label	1	White label with product number

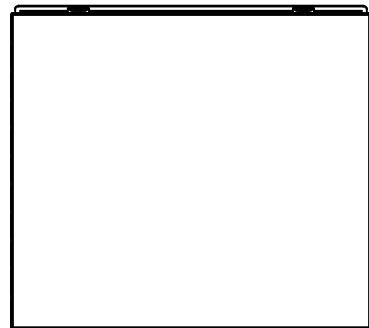
Qty	Part Number	Rev	Description
1	1412CSS161611C	0	1412CSS 16" x 16" Cover
1	1412CSS161611B	0	1412CSS 16" x 16" x 11.725" Body
2	880 GS115	0	Gas Spring 115N/12Kg/26Lbs
2	STK-Q-08100	1	M5 Nylon Insert Lock Nut
Parts List			

This drawing is confidential and must not be reproduced or used without the consent of EXM

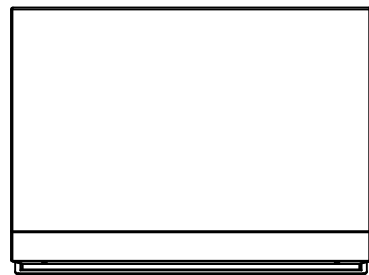
Ce dessin est confidentiel et ne doit pas être reproduit ou utilisé sans le consentement de EXM



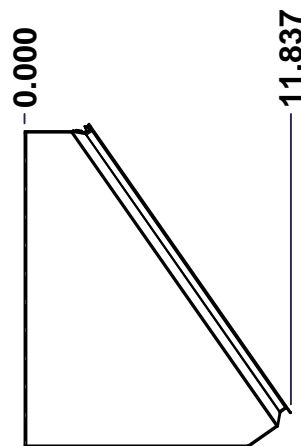
TOP



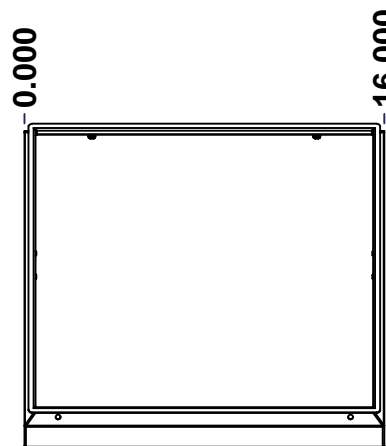
BACK



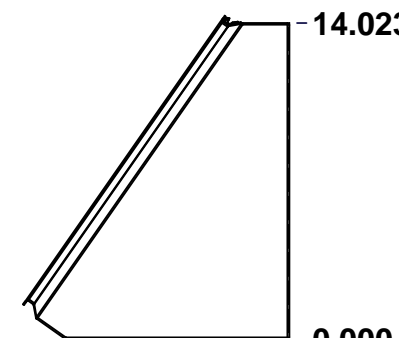
BOTTOM



LEFT

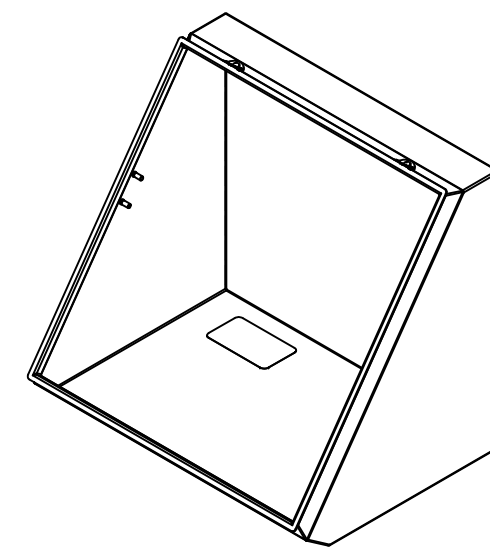


FRONT




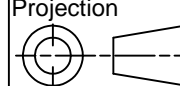
RIGHT

No.	Revisions	Date	By/Par



Isometric View



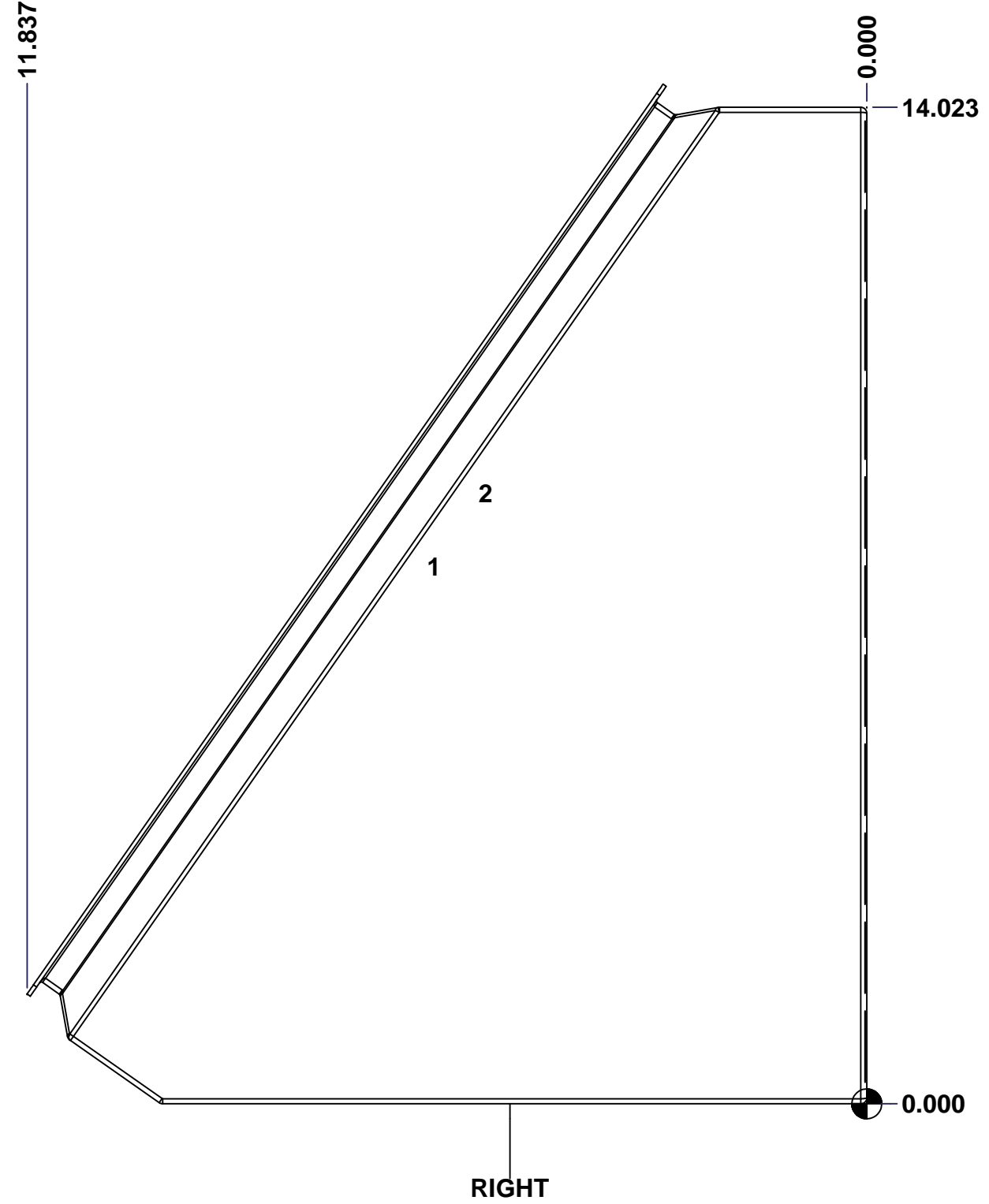
 Tél: (450) 979-4373 Fax: (450) 979-4626 www.exmweb.com		Flatness Aplatissement Max 3.0mm Projection 
Customer Client	Date	
Drawn By Dessiné Par	BoxCad: BoxCad	Date 06-Dec-13
Material Matière	16 Ga Stainless Steel 304 (1.4mm)	
Color Couleur	Unpainted	Finish Fini Brushed
Description	Detail Rev.	
1412CSS 16" x 16" x 11.725" Body		
Part Number Numéro Pièce	Rev.	1 / 7
1412CSS161611B	0	

SEE BILL OF MATERIAL ON LAST PAGE

This drawing is confidential and must not be reproduced or used without the consent of EXM

Ce dessin est confidentiel et ne doit pas être reproduit ou utilisé sans le consentement de EXM

STANDARD FEATURES ARE NOT LISTED IN THIS HOLE TABLE			
HOLE TABLE - RIGHT VIEW (CUSTOM FEATURE ONLY)			
CUT-OUT	XDIM	YDIM	DESCRIPTION
1	6.163	7.560	STUDSM5 x 12mm (Inside)
2	5.440	8.592	STUDSM5 x 12mm (Inside)

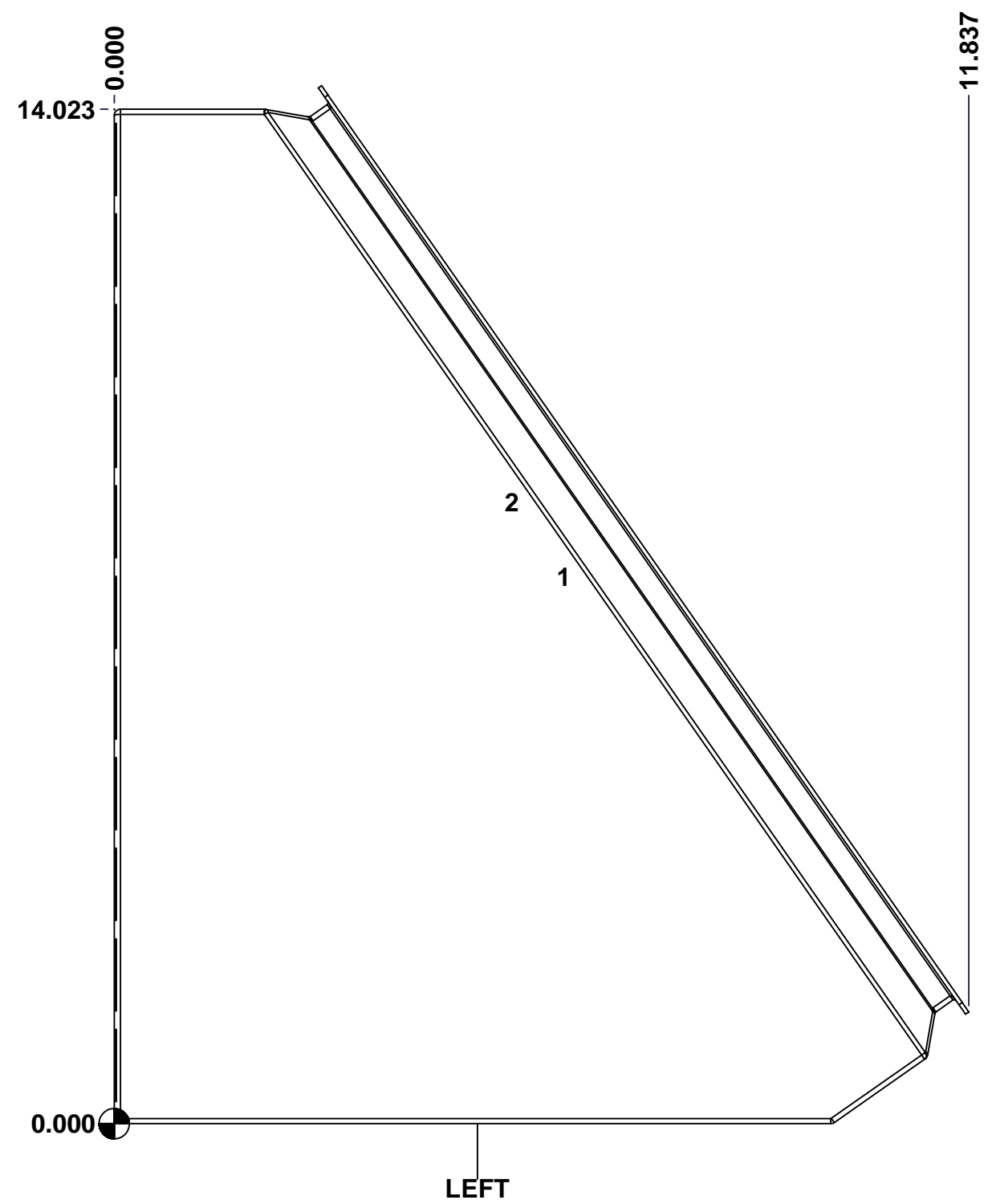


	Description	Status
	1412CSS 16" x 16" x 11.725" Body	(NULL)
	Part Number Numéro Pièce	Rev.
	1412CSS161611B	0
		3 / 7

This drawing is confidential and must not be reproduced or used without the consent of EXM

Ce dessin est confidentiel et ne doit pas être reproduit ou utilisé sans le consentement de EXM

STANDARD FEATURES ARE NOT LISTED IN THIS HOLE TABLE			
HOLE TABLE - LEFT VIEW (CUSTOM FEATURE ONLY)			
CUT-OUT	XDIM	YDIM	DESCRIPTION
1	6.163	7.560	STUDSM5 x 12mm (Inside)
2	5.440	8.592	STUDSM5 x 12mm (Inside)

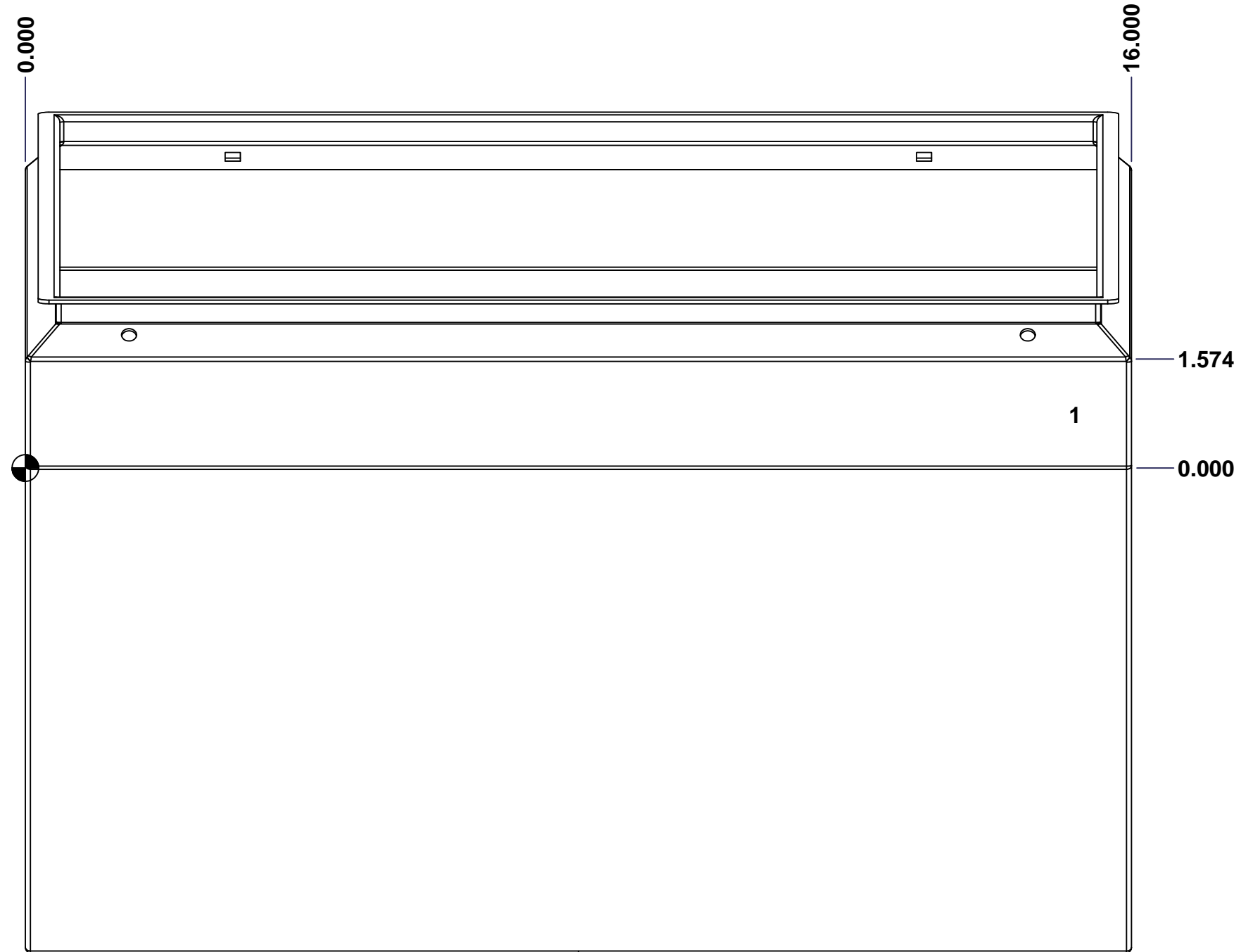


	Description	Status	
	1412CSS 16" x 16" x 11.725" Body	(NULL)	
	Part Number Numéro Pièce	Rev.	5
	1412CSS161611B	0	7

This drawing is confidential and must not be reproduced or used without the consent of EXM

Ce dessin est confidentiel et ne doit pas être reproduit ou utilisé sans le consentement de EXM

STANDARD FEATURES ARE NOT LISTED IN THIS HOLE TABLE			
HOLE TABLE - ANGLE VIEW (CUSTOM FEATURE ONLY)			
CUT-OUT	XDIM	YDIM	DESCRIPTION
1	15.125	0.742	STANDOFF M6 x 10mm (Inside)



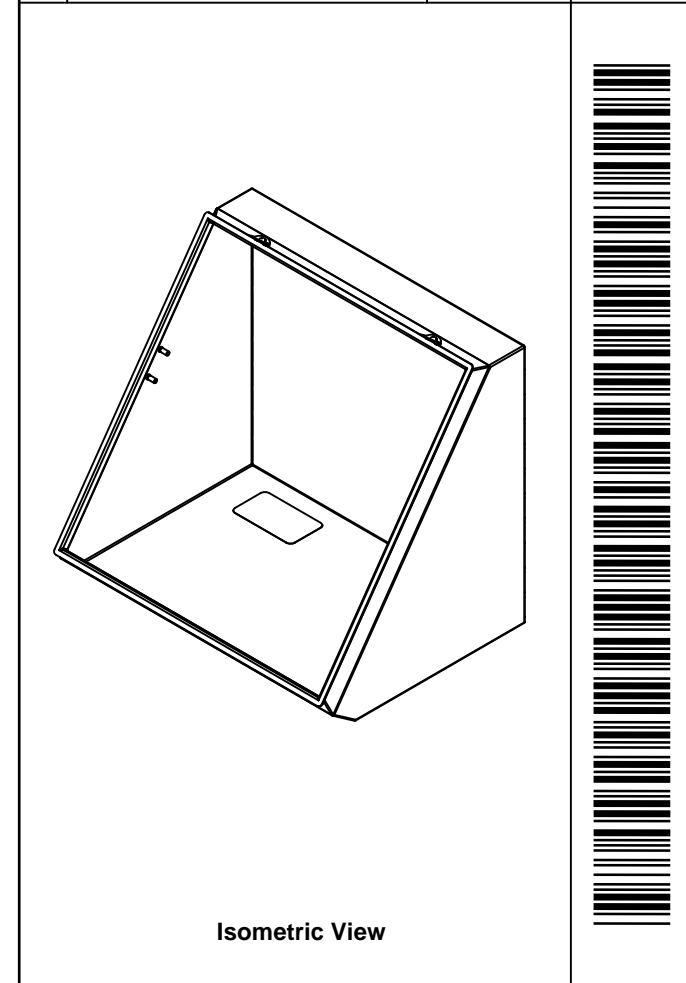
ANGLE


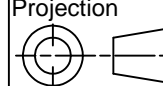
	Description		Status	
	1412CSS 16" x 16" x 11.725" Body		(NULL)	
	Part Number Numéro Pièce		Rev.	4
	1412CSS161611B		0	7

This drawing is confidential and must not be reproduced or used without the consent of EXM

Ce dessin est confidentiel et ne doit pas être reproduit ou utilisé sans le consentement de EXM

No.	Revisions	Date	By/Par

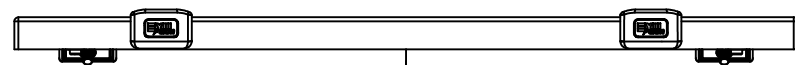


 Tél: (450) 979-4373 Fax: (450) 979-4626 www.exmweb.com		Flatness Aplatissement Max 3.0mm Projection 
Customer Client	Date	
Drawn By Dessiné Par	BoxCad: BoxCad	Date 06-Dec-13
Material Matière	16 Ga Stainless Steel 304 (1.4mm)	
Color Couleur	Unpainted	Finish Fini Brushed
Description		Detail Rev.
1412CSS 16" x 16" x 11.725" Body		
Part Number Numéro Pièce	Rev.	7
1412CSS161611B	0	7

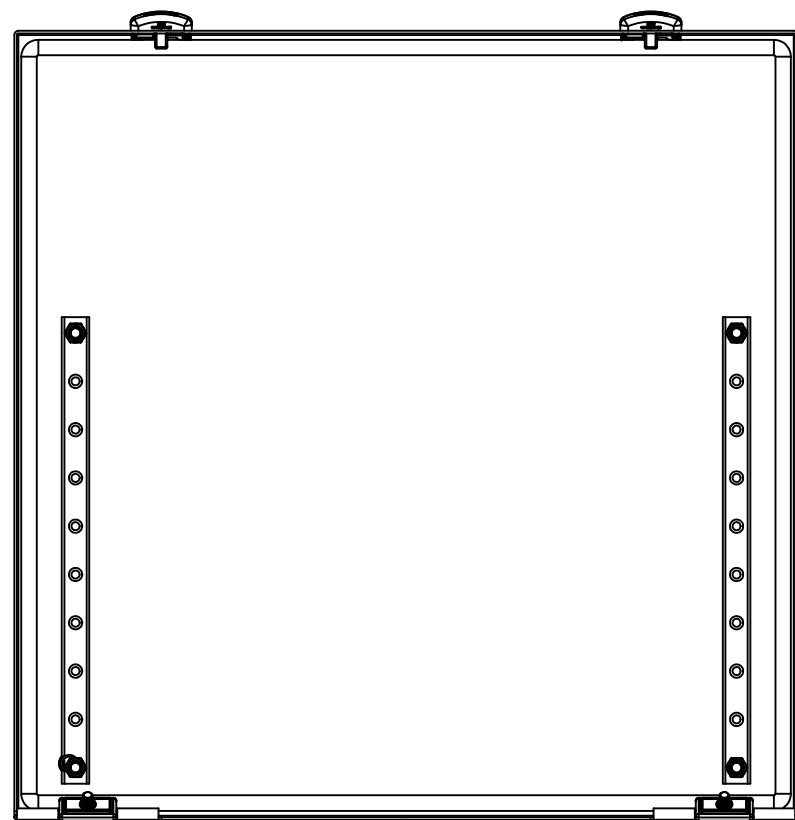
1	STK-Q-08500	4	Stainless Steel Standoff M6 x 10mm
4	STUD_SS_M5 x 12mm	0	Stud M5 x 12mm Stainless Steel
1	1412CSS161611B-P	0	1412CSS 16" x 16" x 11.725" Body Part
1	STK-S-00100	0	3.5" x 2" Silver Milar Flexcon Sticker
2	STK-A-70469	6	5412 ESSMCH - Stainless Steel 316 Body Catch Assembly
2	STK-Q-08100	1	M5 Nylon Insert Lock Nut
Qty	Part_Number	Rev	Description
Parts List			

This drawing is confidential and must not be reproduced or used without the consent of EXM

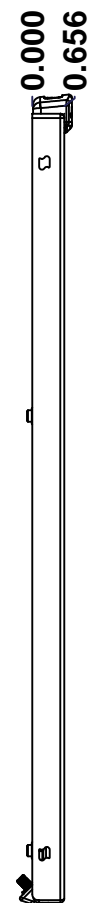
Ce dessin est confidentiel et ne doit pas être reproduit ou utilisé sans le consentement de EXM



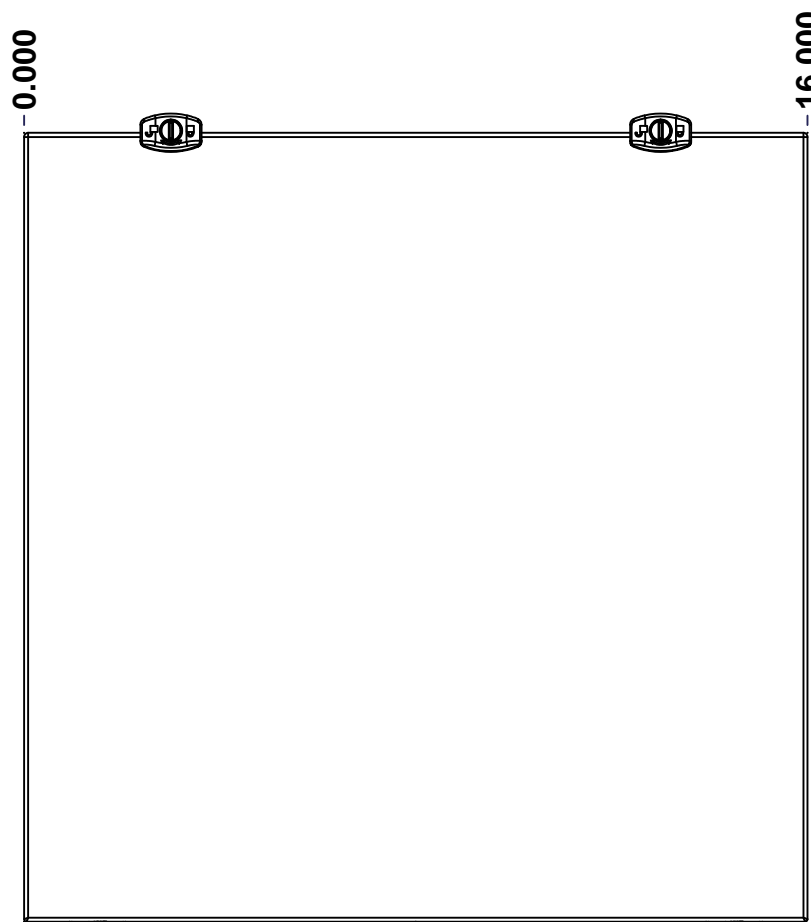
TOP



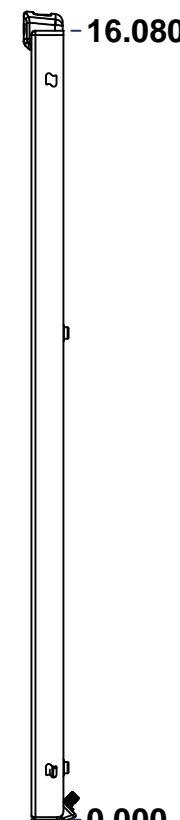
BACK



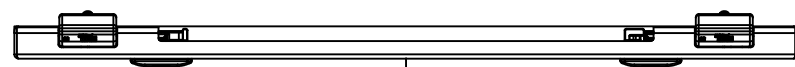
LEFT



FRONT

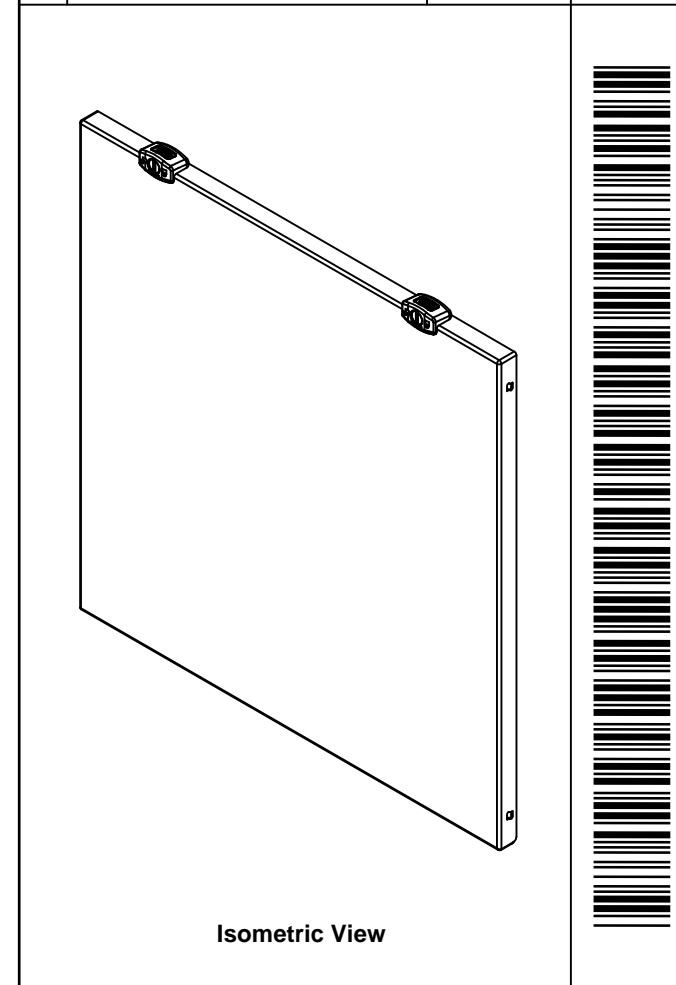


RIGHT



BOTTOM

No.	Revisions	Date	By/Par



Isometric View

 Tél: (450) 979-4373 Fax: (450) 979-4626 www.exmweb.com		Flatness Aplatissement Max 3.0mm Projection 
Customer Client	Date	Date
Drawn By Dessiné Par	BoxCad: BoxCad	06-Dec-13
Material Matière: 16 Ga Stainless Steel 304 (1.4mm)		
Color Couleur: Unpainted	Finish Fin: Brushed	
Description 1412CSS 16" x 16" Cover		Detail Rev.
Part Number Numéro Pièce: 1412CSS161611C		Rev. 1 0 / 3

SEE BILL OF MATERIAL ON LAST PAGE

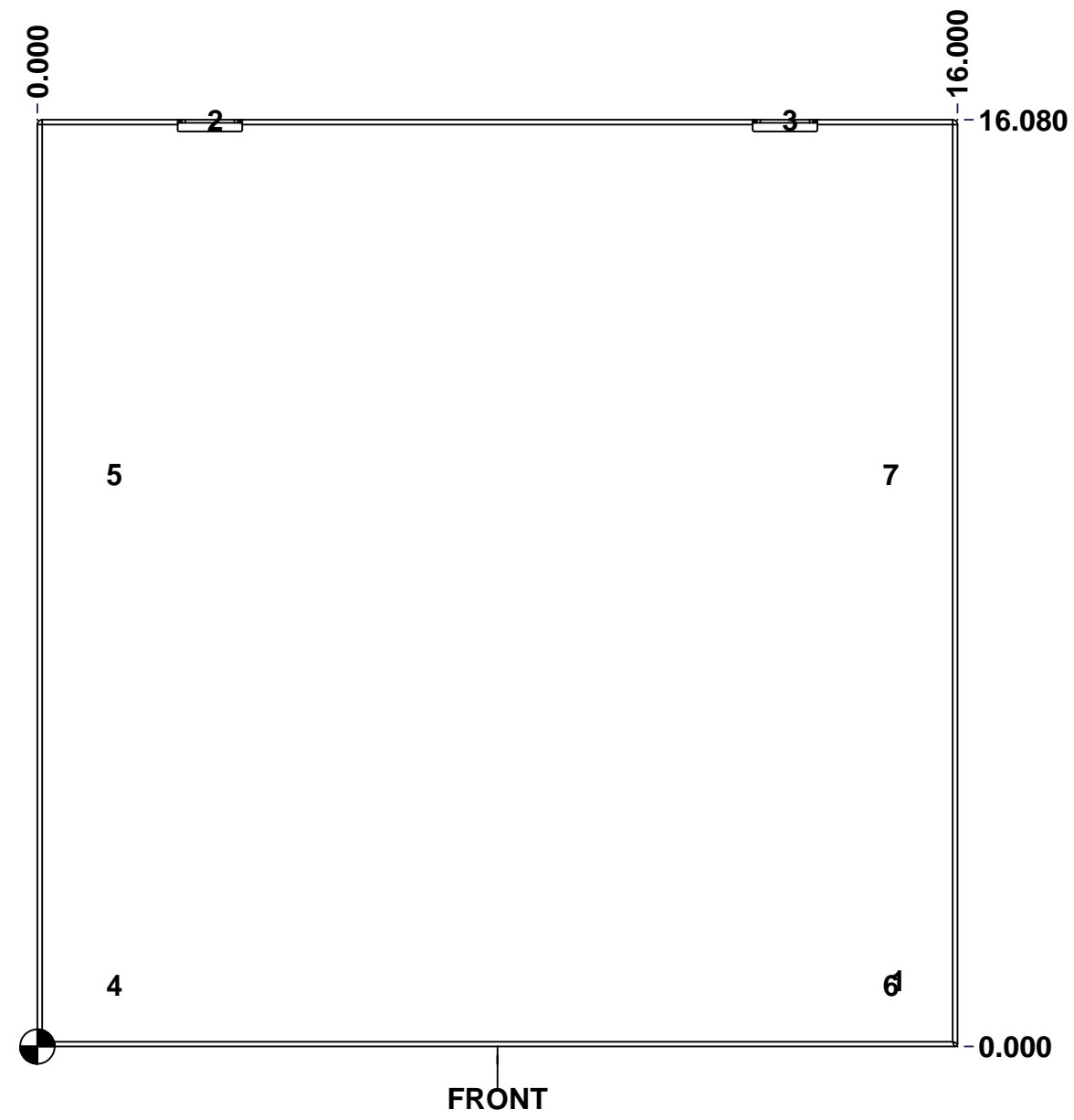
This drawing is confidential and must not be reproduced or used without the consent of EXM

Ce dessin est confidentiel et ne doit pas être reproduit ou utilisé sans le consentement de EXM

STANDARD FEATURES ARE NOT LISTED IN THIS HOLE TABLE

HOLE TABLE - FRONT VIEW (CUSTOM FEATURE ONLY)

CUT-OUT	XDIM	YDIM	DESCRIPTION
1	14.875	1.145	STANDOFF M6 x 10mm (Inside)
2	3.000	16.080	LOCK 880 SCQ3MS @ 90.0°
3	13.000	16.080	LOCK 880 SCQ3MS @ 90.0°
4	1.250	1.062	STUDS M6 x 18mm (Inside)
5	1.250	9.920	STUDS M6 x 18mm (Inside)
6	14.750	1.062	STUDS M6 x 18mm (Inside)
7	14.750	9.920	STUDS M6 x 18mm (Inside)

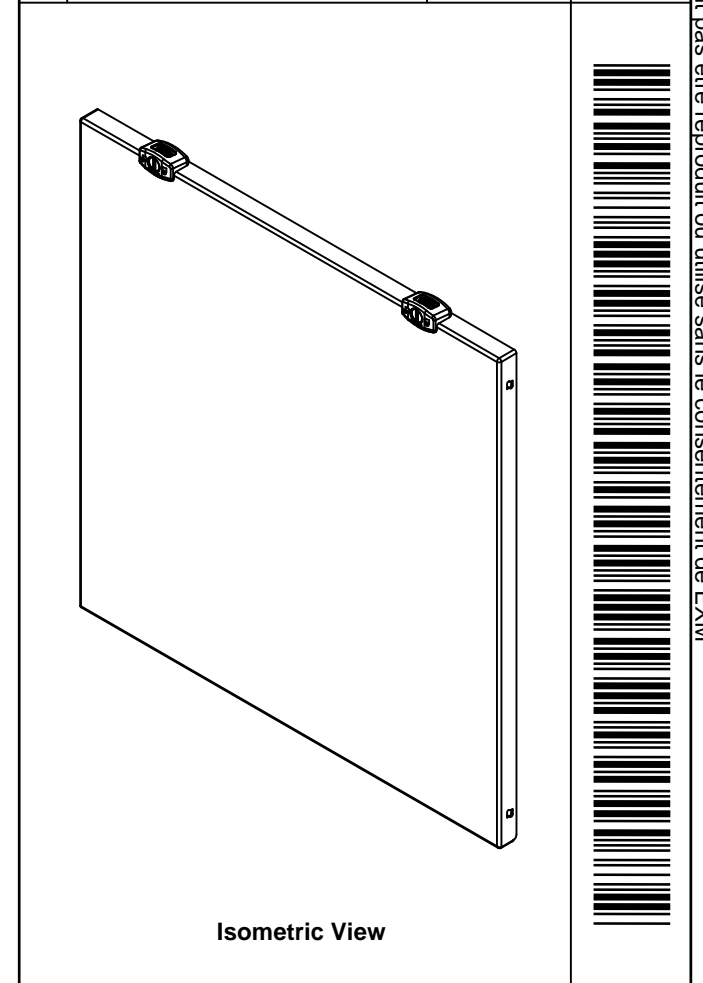



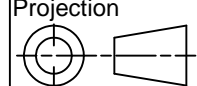
	Description	Status	
	1412CSS 16" x 16" Cover	(NULL)	
	Part Number Numéro Pièce	Rev.	
	1412CSS161611C	0	2 3

This drawing is confidential and must not be reproduced or used without the consent of EXM

Ce dessin est confidentiel et ne doit pas être reproduit ou utilisé sans le consentement de EXM

No.	Revisions	Date	By/Par



 Tél: (450) 979-4373 Fax: (450) 979-4626 www.exmweb.com		Flatness Aplatissement Max 3.0mm Projection 
Customer Client	Date	Date
Drawn By Dessiné Par	BoxCad: BoxCad	Date 06-Dec-13
Material Matière	16 Ga Stainless Steel 304 (1.4mm)	
Color Couleur	Unpainted	Finish Fini Brushed
Description	Detail Rev.	
1412CSS 16" x 16" Cover		
Part Number Numéro Pièce	Rev.	3
1412CSS161611C	0	3

Qty	Part Name	Rev	Description
4	STK-Q-16070	1	Stud M6 x 18mm Stainless Steel
1	STK-Q-08500	4	Stainless Steel Standoff M6 x 10mm
2	STK-Q-46020-12	5	5412 ES Vertical Door Stiffener 12"
1	1412CSS161611G	0	1412CSS 16" x 16" Gasket
1	1412CSS161611C-P	0	1412CSS 16" x 16" Cover Part
2	880SCQ3S	4	5412 ESSMCH - Stainless Steel External Lock Assy - Slot Lock
2	STK-A-33038	3	5412 ESSMCH - Stainless Steel Hinge
4	STK-Q-07220	1	M6 Nylon Insert Lock Nut
Parts List			