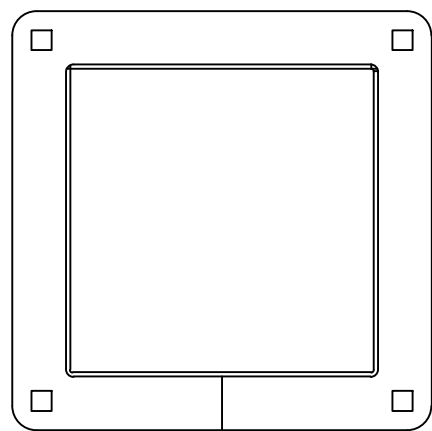
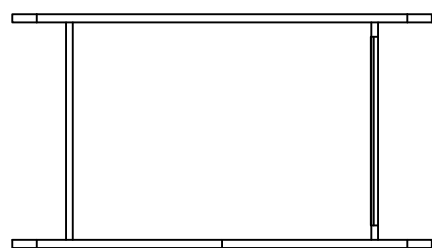


This drawing is confidential and must not be reproduced or used without the consent of EXM

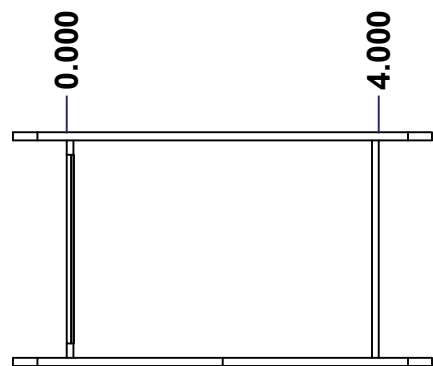
Ce dessin est confidentiel et ne doit pas être reproduit ou utilisé sans le consentement de EXM



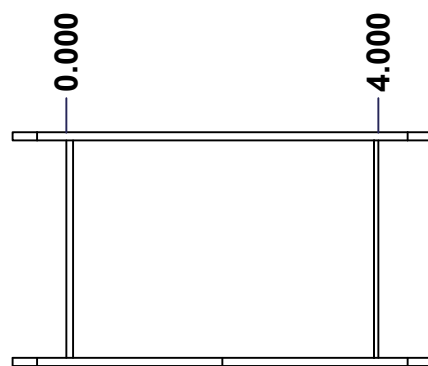
TOP



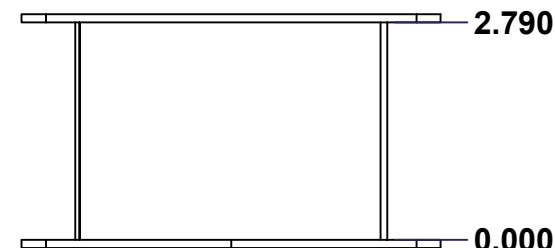
BACK



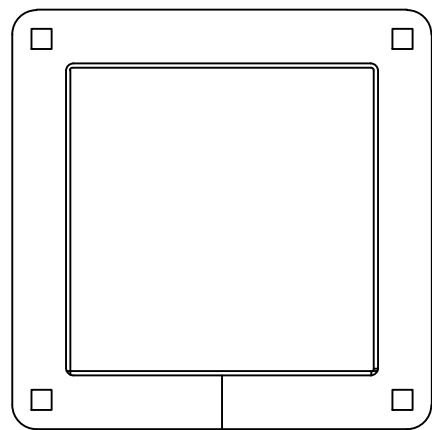
LEFT



FRONT

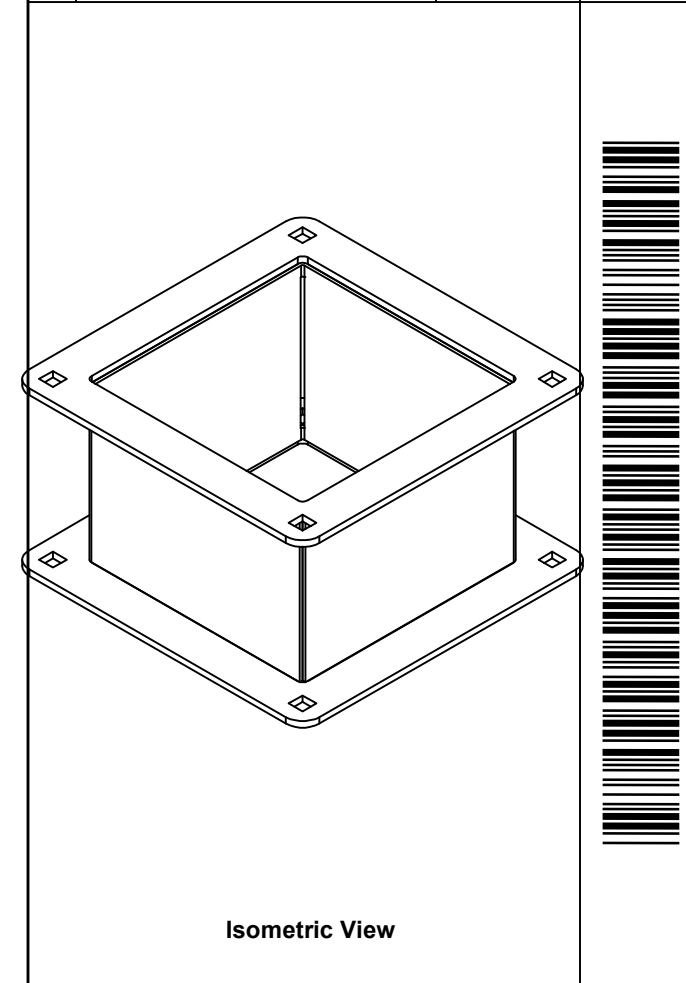


RIGHT

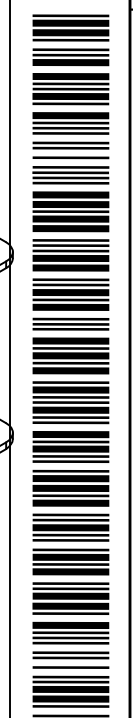


BOTTOM

| No. | Revisions | Date | By/Par |
|-----|-----------|------|--------|
|     |           |      |        |
|     |           |      |        |
|     |           |      |        |
|     |           |      |        |
|     |           |      |        |



Isometric View



Tél: (450) 979-4373  
 Fax: (450) 979-4626  
[www.exmweb.com](http://www.exmweb.com)

Flatness  
Aplatissement  
Max 3.0mm  
Projection

|   |                       |
|---|-----------------------|
| Customer Client   | Date                  |
| Drawn By<br>Dessiné Par BoxCad: BoxCad                        | Date 30-Dec-22        |
| Material<br>Matière 16 Ga Cold Rolled A1008 CS Type B (1.4mm) |                       |
| Color<br>Couleur Asa-61 Grey                                  | Finish<br>Fini Smooth |
| Description<br>1412NS 3" x 4" x 4" Assembly                   | Detail Rev.           |
| Part Number<br>Numéro Pièce 1412NS4003                        | Rev. 1<br>0           |

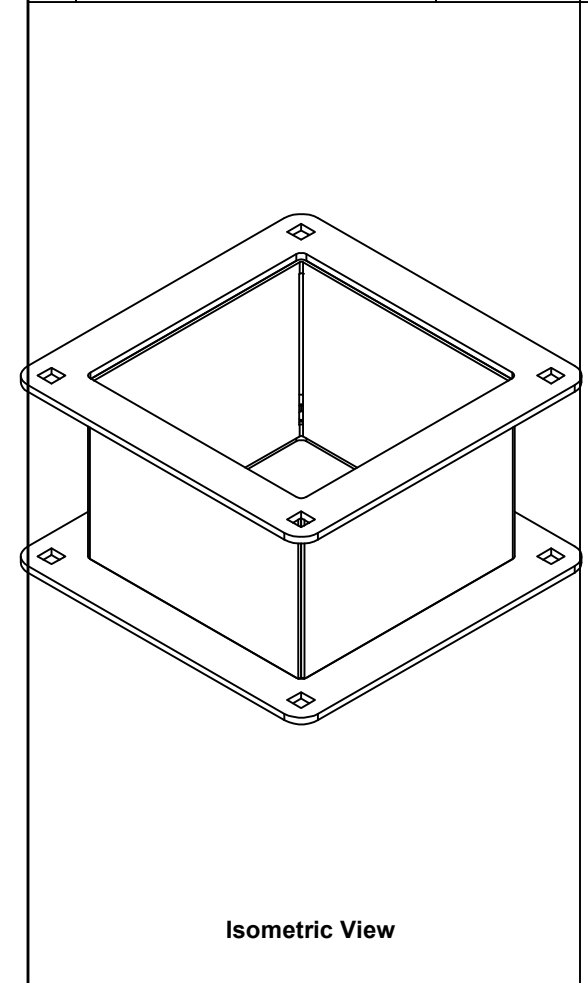
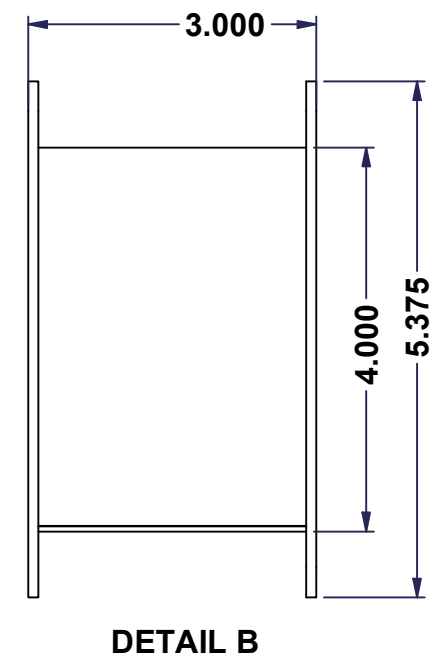
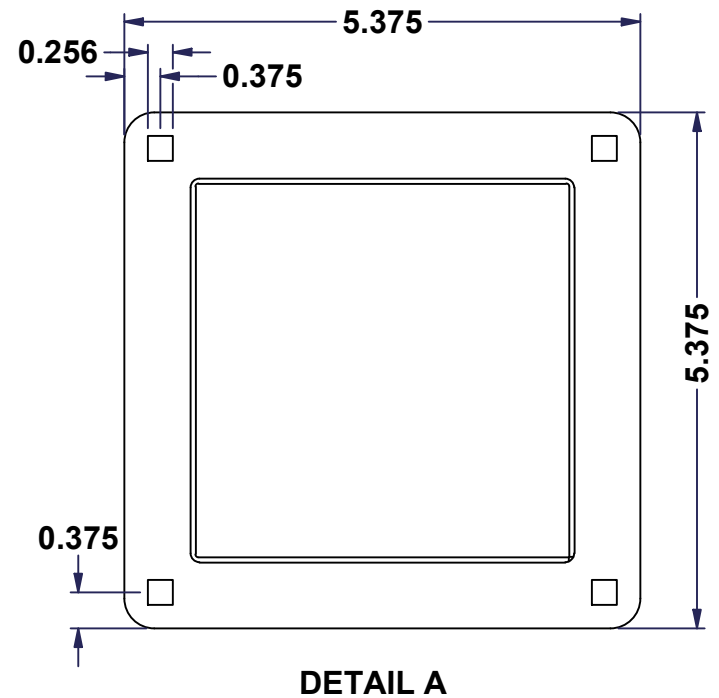
SEE BILL OF MATERIAL ON LAST PAGE

1412NS4003

Rev. 1  
0

This drawing is confidential and must not be reproduced or used without the consent of EXM

Ce dessin est confidentiel et ne doit pas être reproduit ou utilisé sans le consentement de EXM



Tél: (450) 979-4373  
 Fax: (450) 979-4626  
[www.exmweb.com](http://www.exmweb.com)

Flatness  
Aplatissement  
Max 3.0mm  
Projection

Customer Client  
 Drawn By / Dessiné Par: BoxCad: BoxCad  
 Date: 30-Dec-22

Material / Matière: 16 Ga Cold Rolled A1008 CS Type B (1.4mm)

Color / Couleur: Asa-61 Grey  
 Finish / Fini: Smooth

Description: 1412NS 3" x 4" x 4" Assembly  
 Detail Rev.

Part Number / Numéro Pièce: **1412NS4003**  
 Rev. 0

| Qty        | Part Number    | Rev | Description                   |
|------------|----------------|-----|-------------------------------|
| 2          | 1412NS4003BC-P | 0   | 1412NS4" x 4" Connector Part  |
| 1          | 1412NS4003B-P  | 0   | 1412NS 3" x 4" x 4" Body Part |
| Parts List |                |     |                               |

2  
2