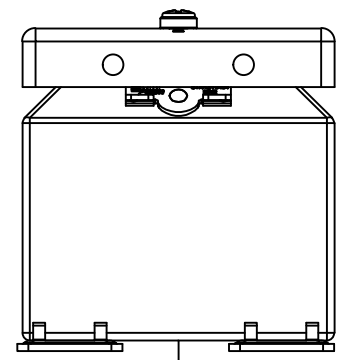
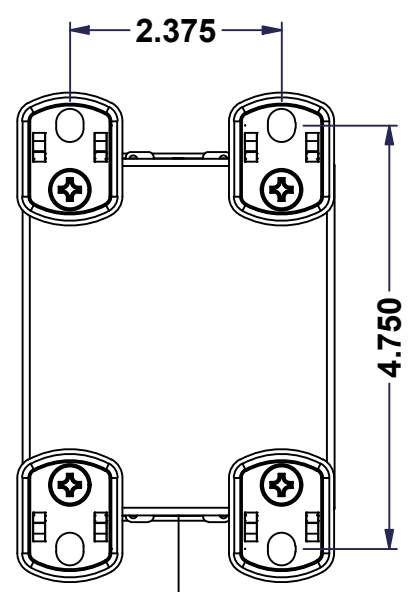


This drawing is confidential and must not be reproduced or used without the consent of EXM

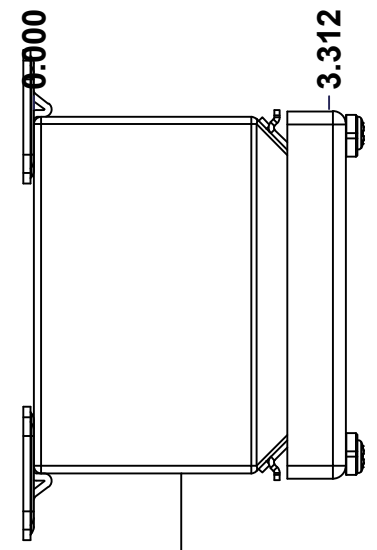
Ce dessin est confidentiel et ne doit pas être reproduit ou utilisé sans le consentement de EXM



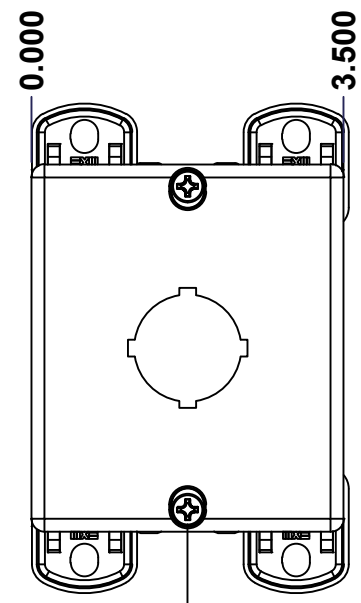
TOP



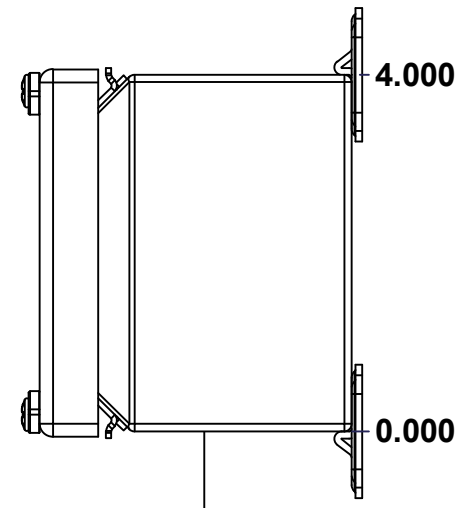
BACK



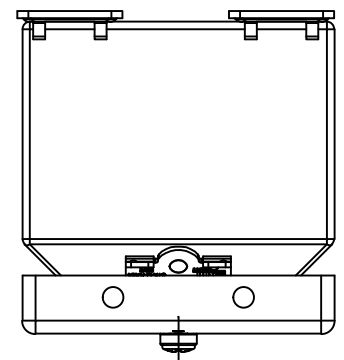
LEFT



FRONT



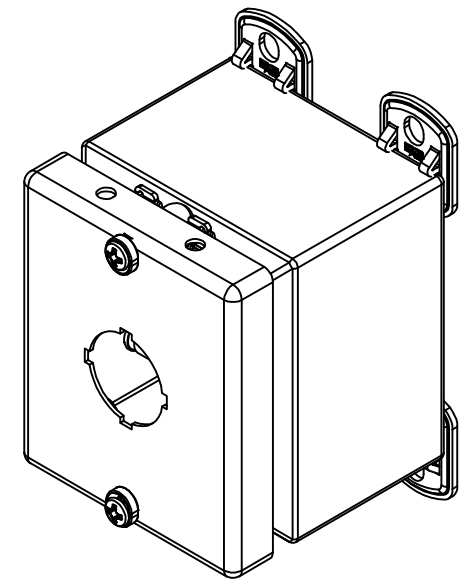
RIGHT



BOTTOM

NOTE	
ITEM	DESCRIPTION
1	NEMA 4/12 Enclosure
2	C/W Standard ground standoffs on box and cover
3	W/O Standard door stiffener
4	W/O Inner panel
5	W/O Inner panel mounting standoffs

No.	Revisions	Date	By/Par
0.1	Update cover to oblong holes	02-Sep-22	Hunter



Isometric View

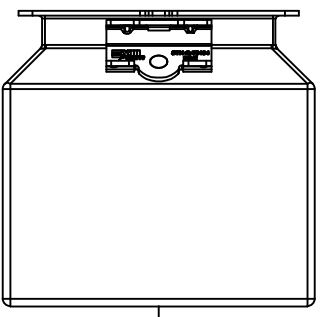


	Tél: (450) 979-4373 Fax: (450) 979-4626 www.exmweb.com	Flatness Aplatissement Max 3.0mm Projection
	Customer Client	Date
Drawn By Dessiné Par BoxCad: ArthurC	Date 15-Sep-21	
Material Matière 16 Ga H.R.P. & O. (1.4mm)		
Color Couleur Asa-61 Grey	Finish Fini Smooth	
Description 1412SD 4" x 3.5" x 3" Assembly		Detail Rev.
Part Number Numéro Pièce 1412SD030302		Rev. 0

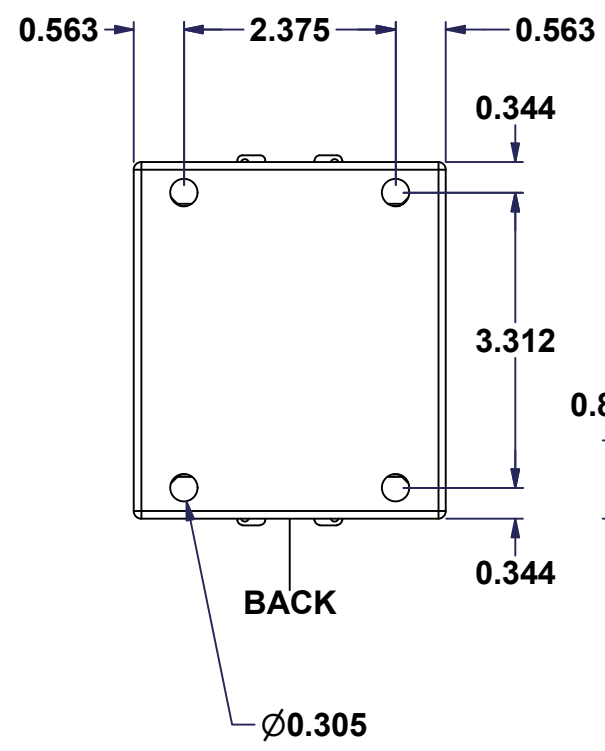
Qty	Part Number	Rev.	Description
2	STK-Q-03035	4	Stainless Steel 316 Phillips Oval Head Screw M5 x 18.5mm (Pitch 0.8mm)
2	STK-Q-77280	5	5412 ESSC M5 Countersink Insert (Flat Hole)
1	1412SD030302C	0	1412SD 4" x 3.5" Cover
1	STK-K-09500-02	3	1412SD Accessory Kit
1	1412SD030302B	0	1412SD 4" x 3.5" x 3" Body
Parts List			

This drawing is confidential and must not be reproduced or used without the consent of EXM

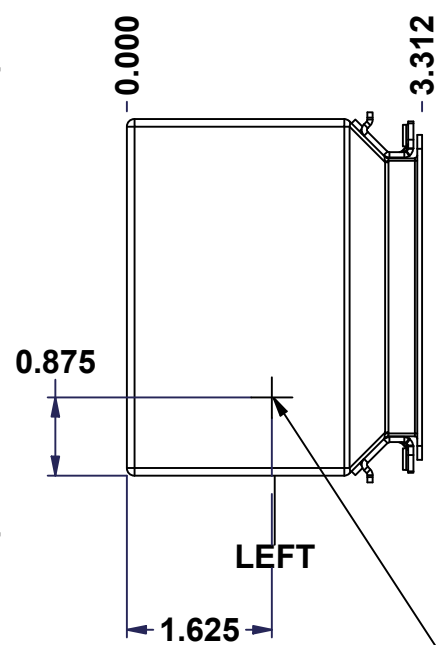
Ce dessin est confidentiel et ne doit pas être reproduit ou utilisé sans le consentement de EXM



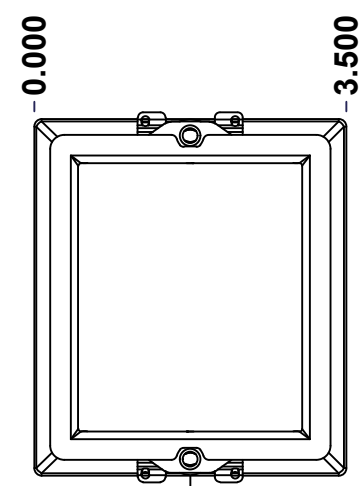
TOP



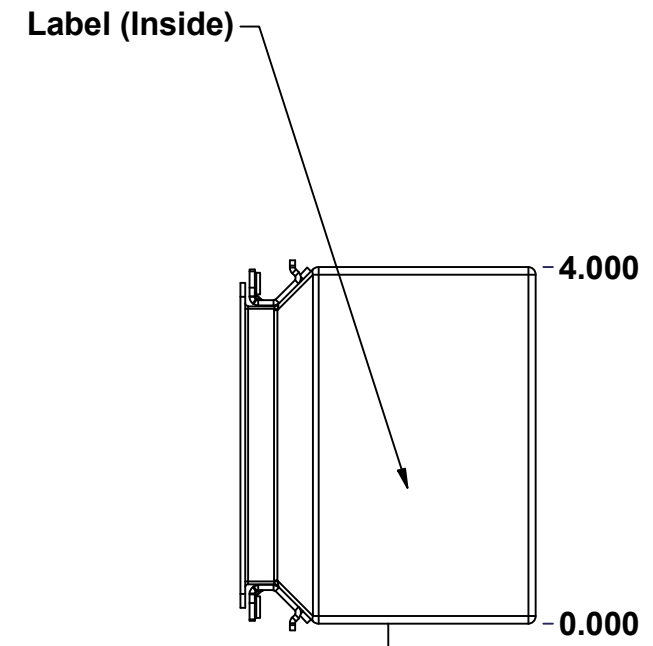
BACK



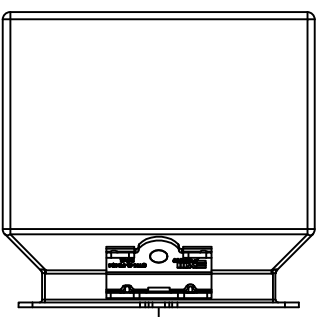
LEFT



FRONT



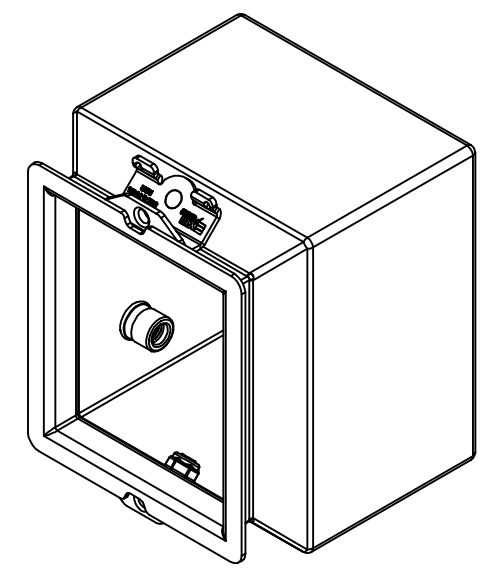
RIGHT



BOTTOM

Standoff M6x10mm (Inside)

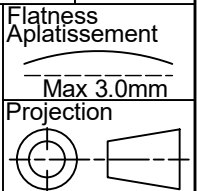
No.	Revisions	Date	By/Par
0.1	Update cover to oblong holes	02-Sep-22	Hunter



Isometric View



Tél: (450) 979-4373
 Fax: (450) 979-4626
www.exmweb.com



Customer Client	Date
Drawn By / Dessiné Par: BoxCad: ArthurC	Date: 15-Sep-21
Material / Matière: 16 Ga H.R.P. & O. (1.4mm)	

Color / Couleur: Asa-61 Grey	Finish / Fini: Smooth
Description: 1412SD 4" x 3.5" x 3" Body	
Detail Rev.	

Qty	Part Number	Rev.	Description
1	STK-S-00100	0	3.5" x 2" Silver Milar Flexcon Sticker
1	STK-Q-08350	5	Standoff M6 x 10mm
1	STK-P-02400S	0	Powder Paint (Asa-61 Grey / Smooth)
1	1412SD030302B-P	0	1412SD 4" x 3.5" x 3" Body Part
2	DEV-STK-Q-70464	2	5412 ESSC & ESSSC Stainless Steel Body Catch Assembly
2	STK-Q-08100	1	M5 Nylon Insert Lock Nut

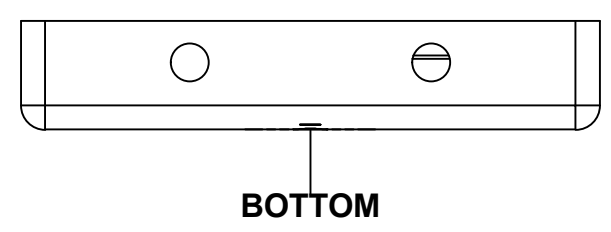
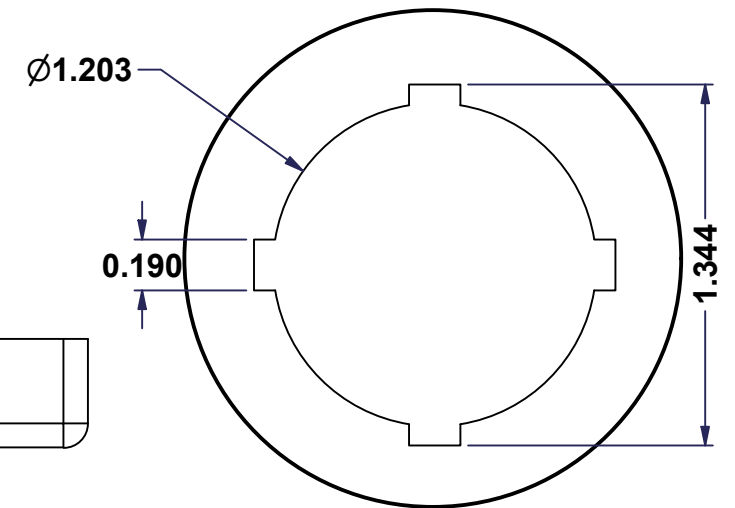
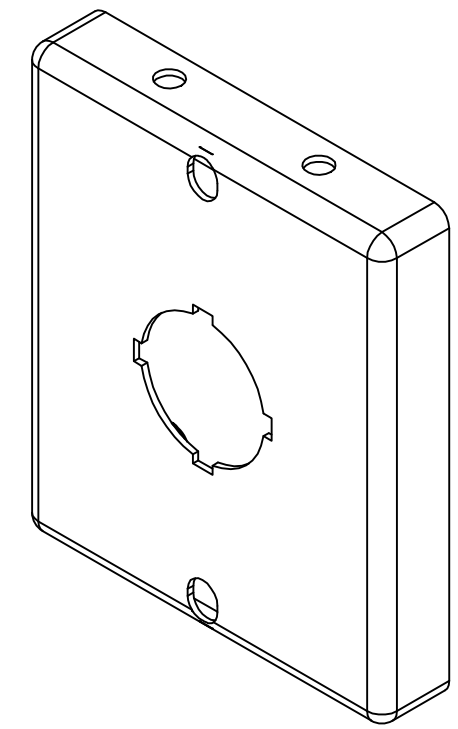
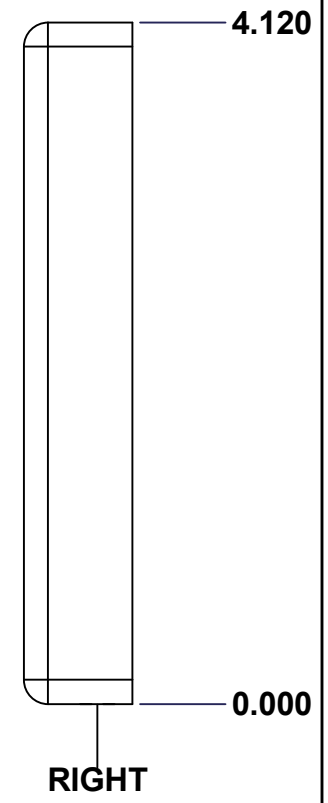
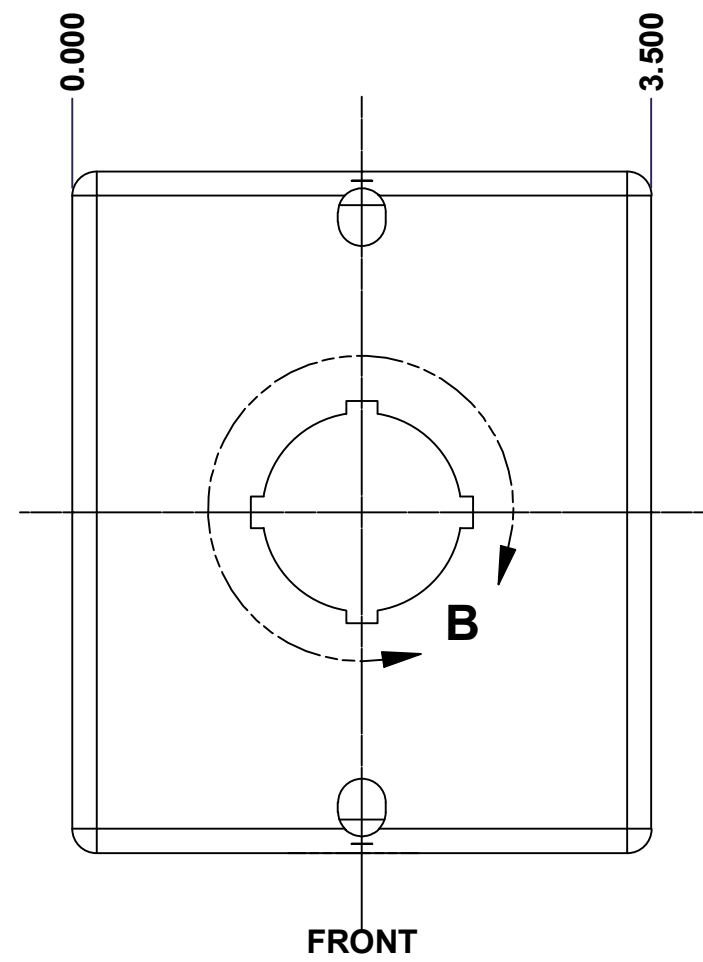
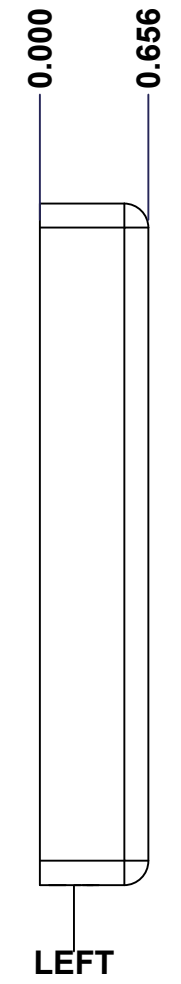
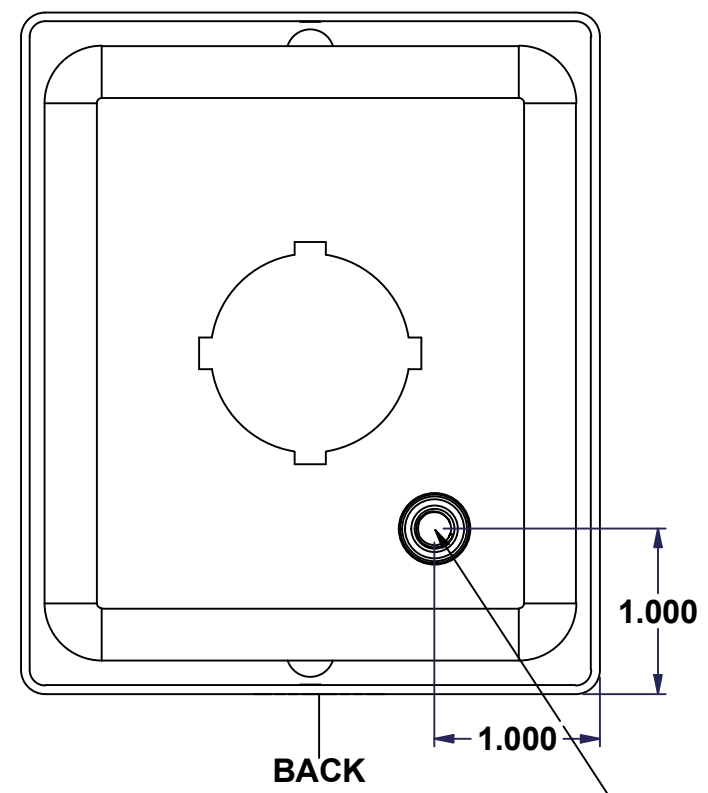
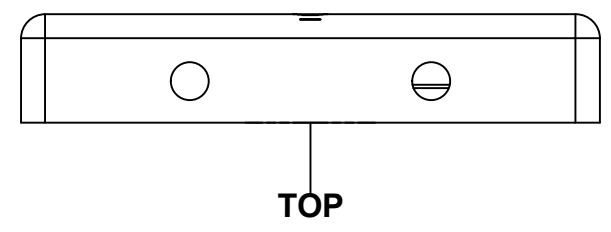
Part Number / Numéro Pièce: 1412SD030302B	Rev. 0	2	3
--	--------	---	---

Parts List

This drawing is confidential and must not be reproduced or used without the consent of EXM

Ce dessin est confidentiel et ne doit pas être reproduit ou utilisé sans le consentement de EXM

No.	Revisions	Date	By/Par
0.1	Update cover to oblong holes	02-Sep-22	Hunter



Standoff M6x10mm

EXM
Tél: (450) 979-4373
Fax: (450) 979-4626
www.exmweb.com

Flatness
Aplatissement
Max 3.0mm
Projection

Customer Client
Date
Drawn By
Dessiné Par
BoxCad: ArthurC
Date 15-Sep-21

Material Matière
16 Ga H.R.P. & O. (1.4mm)

Color Couleur
Asa-61 Grey
Finish Fini
Smooth

Description
1412SD 4" x 3.5" Cover
Detail Rev.

Part Number
Numéro Pièce
1412SD030302C
Rev. 3
0

Qty	Part Number	Rev.	Description
1	STK-Q-08350	5	Standoff M6 x 10mm
1	STK-P-02400S	0	Powder Paint (Asa-61 Grey / Smooth)
1	1412SD030302G	0	1412SD 4" x 3.5" Gasket
1	1412SD030302C-P	0	1412SD 4" x 3.5" Cover Part

Parts List