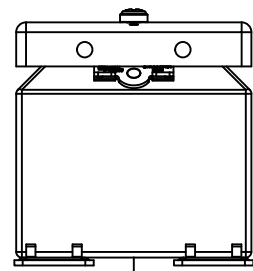
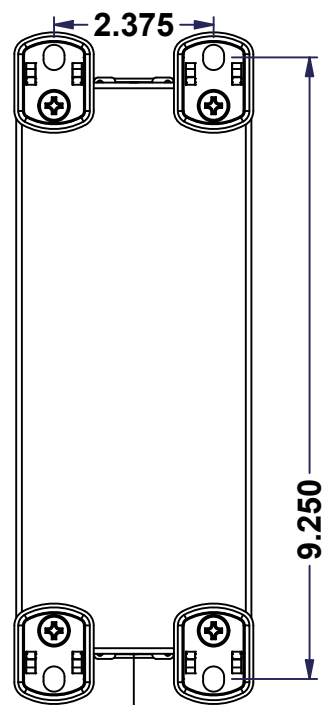


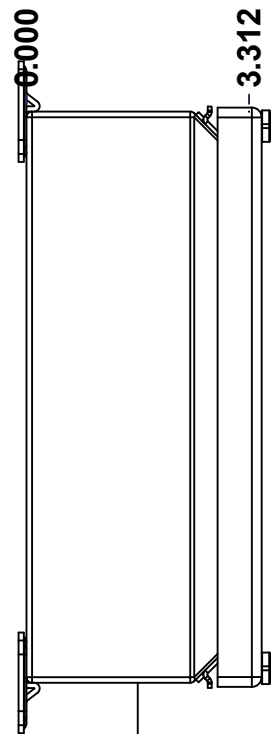
This drawing is confidential and must not be reproduced or used without the consent of EXM



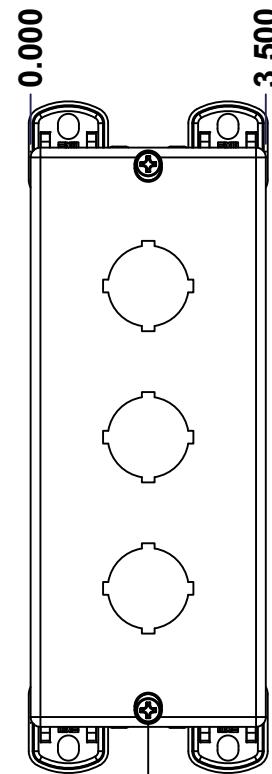
TOP



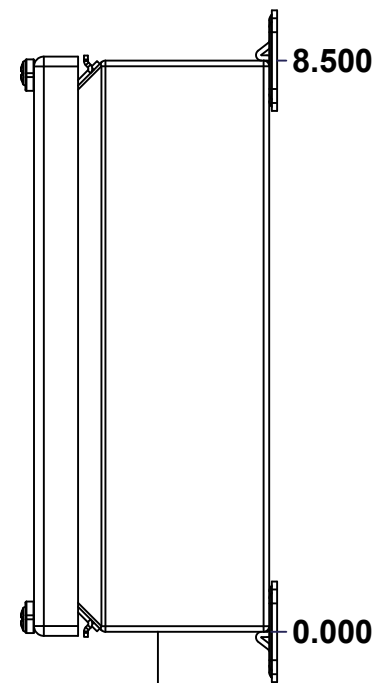
BACK



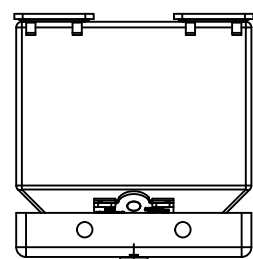
LEFT



FRONT



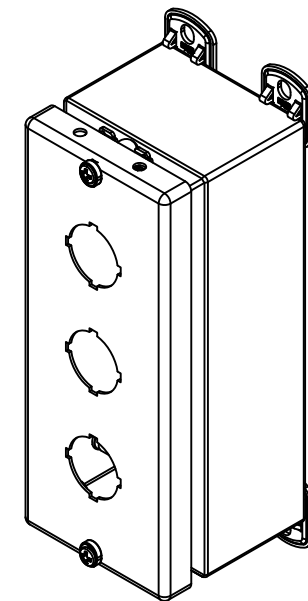
RIGHT



BOTTOM

NOTE	
ITEM	DESCRIPTION
1	NEMA 4/12 Enclosure
2	C/W Standard ground standoffs on box and cover
3	W/O Standard door stiffener
4	W/O Inner panel
5	W/O Inner panel mounting standoffs

No.	Revisions	Date	By/Par



Isometric View



Ce dessin est confidentiel et ne doit pas être reproduit ou utilisé sans le consentement de EXM

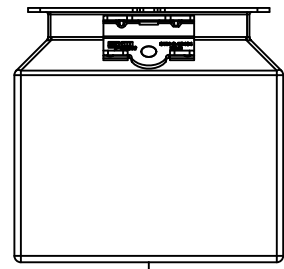
	Tél: (450) 979-4373 Fax: (450) 979-4626 www.exmweb.com	Flatness Aplatissement Max 3.0mm Projection
	Customer Client	Date
Drawn By Dessiné Par	BoxCad: ArthurC	Date 15-Sep-21
Material Matière		
16 Ga H.R.P. & O. (1.4mm)		
Color Couleur	Asa-61 Grey	Finish Fini
Description		Detail Rev.
1412SD 8.5" x 3.5" x 3" Assembly		Rev. 1
Part Number Numéro Pièce		Rev. 0
1412SD080302		3

2	STK-Q-03035	4	Stainless Steel 316 Phillips Oval Head Screw M5 x 18.5mm (Pitch 0.8mm)
2	STK-Q-77280	5	5412 ESSC M5 Countersink Insert (Flat Hole)
1	1412SD080302C	0	1412SD 8.5" x 3.5" Cover
1	STK-K-09500-02	3	1412SD Accessory Kit
1	1412SD080302B	0	1412SD 8.5" x 3.5" x 3" Body
Qty	Part Number	Rev.	Description
Parts List			

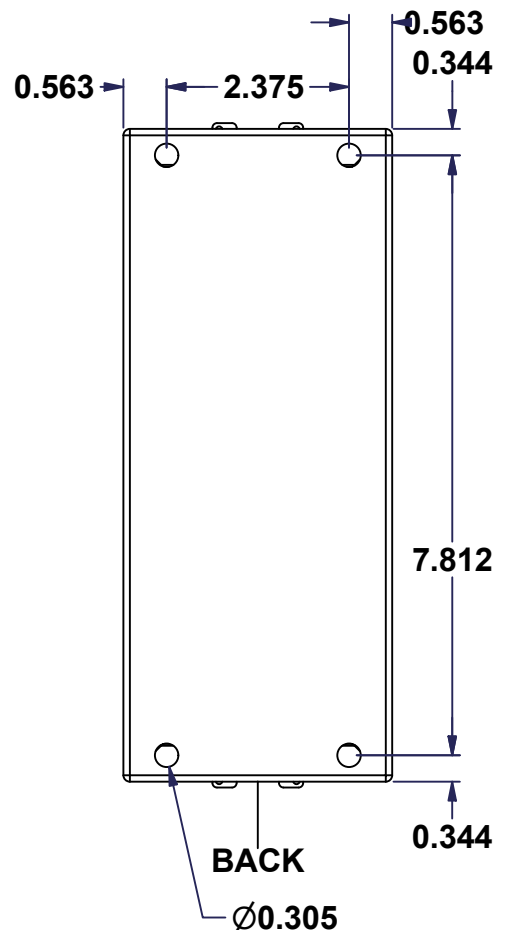
This drawing is confidential and must not be reproduced or used without the consent of EXM

Ce dessin est confidentiel et ne doit pas être reproduit ou utilisé sans le consentement de EXM

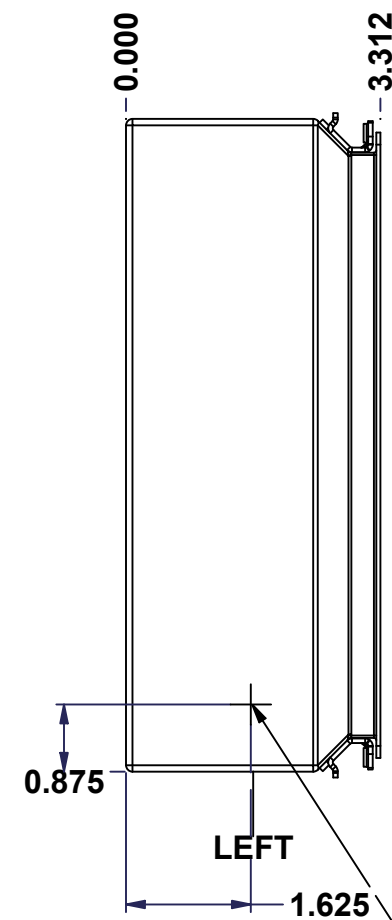
No.	Revisions	Date	By/Par



TOP

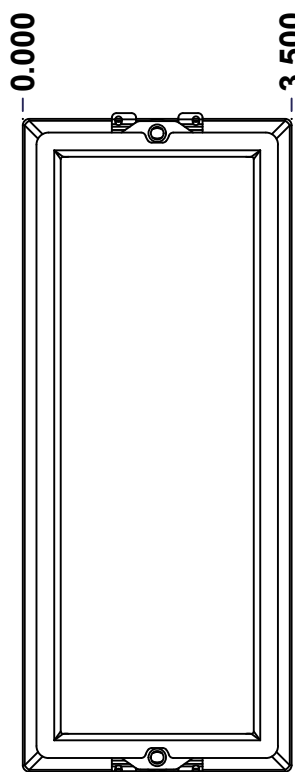


BACK

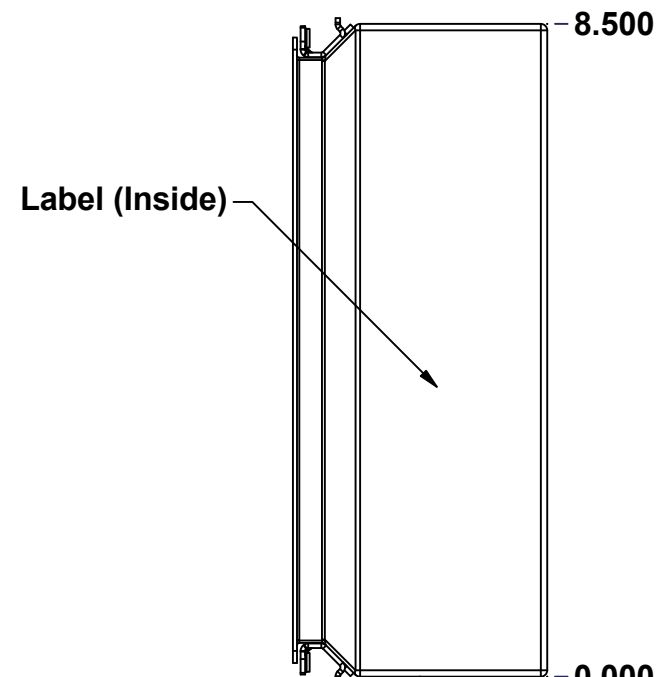


LEFT

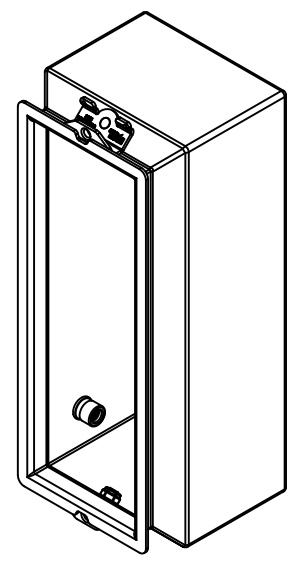
Standoff M6x10mm (Inside)



FRONT



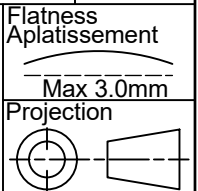
RIGHT



Isometric View



Tél: (450) 979-4373
 Fax: (450) 979-4626
www.exmweb.com

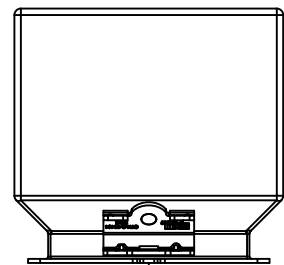


Customer Client	Date
Drawn By / Dessiné Par: BoxCad: ArthurC	Date: 15-Sep-21
Material / Matière: 16 Ga H.R.P. & O. (1.4mm)	

Color / Couleur: Asa-61 Grey	Finish / Fini: Smooth
Description: 1412SD 8.5" x 3.5" x 3" Body	
Part Number / Numéro Pièce: 1412SD080302B	Rev. 0

Qty	Part Number	Rev.	Description
1	STK-S-00100	0	3.5" x 2" Silver Milar Flexcon Sticker
1	STK-Q-08350	5	Standoff M6 x 10mm
1	STK-P-02400S	0	Powder Paint (Asa-61 Grey / Smooth)
1	1412SD080302B-P	0	1412SD 8.5" x 3.5" x 3" Body Part
2	DEV-STK-Q-70464	2	5412 ESSC & ESSSC Stainless Steel Body Catch Assembly
2	STK-Q-08100	1	M5 Nylon Insert Lock Nut

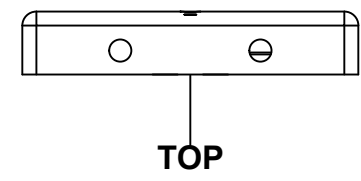
Parts List



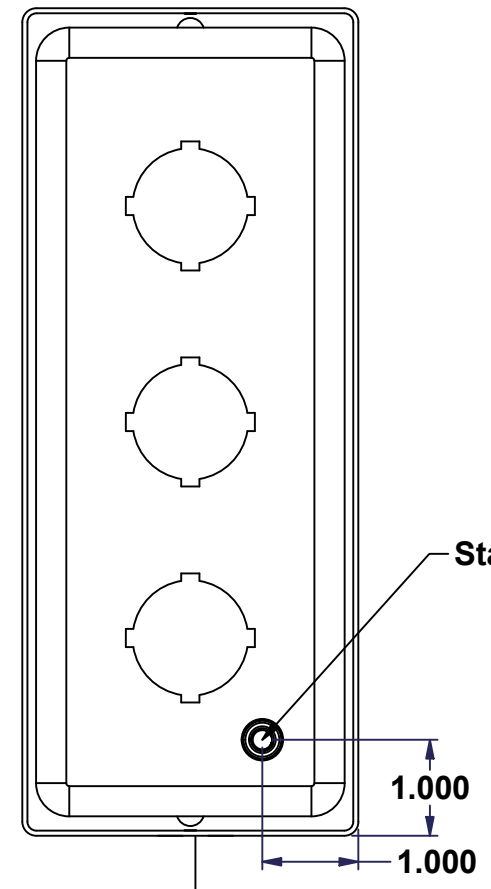
BOTTOM

This drawing is confidential and must not be reproduced or used without the consent of EXM

Ce dessin est confidentiel et ne doit pas être reproduit ou utilisé sans le consentement de EXM

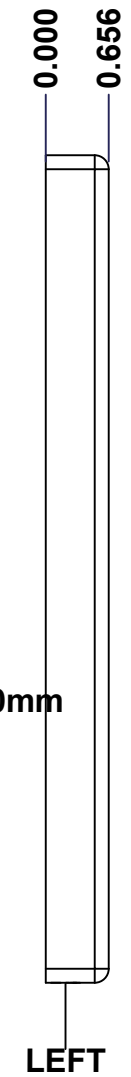


TOP

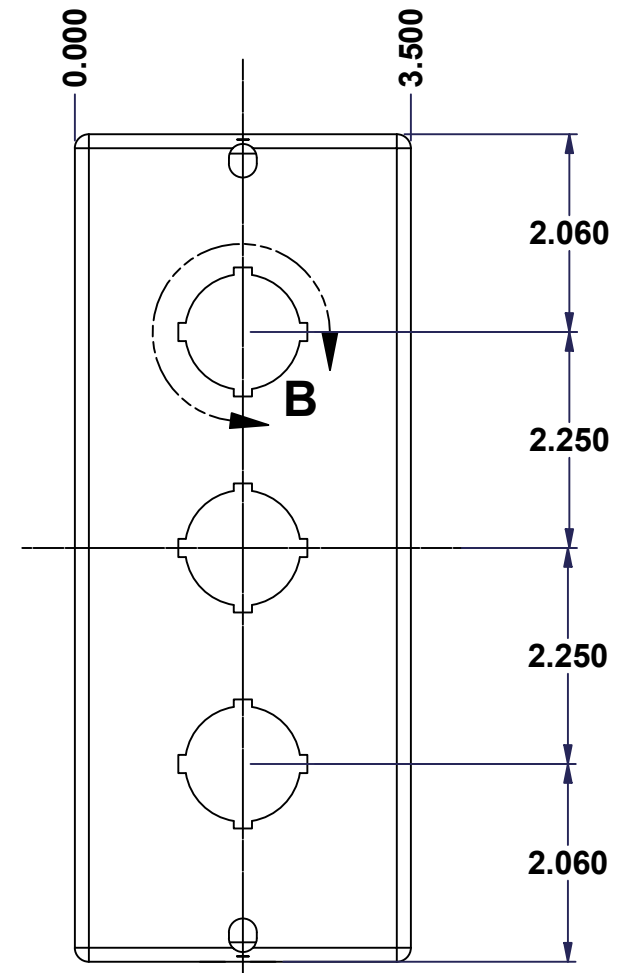


BACK

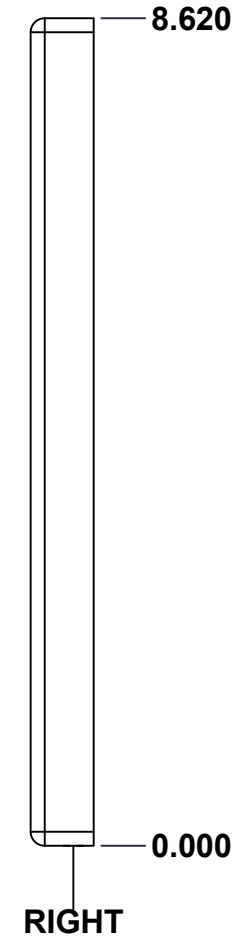
Standoff M6x10mm



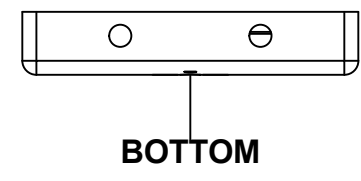
LEFT



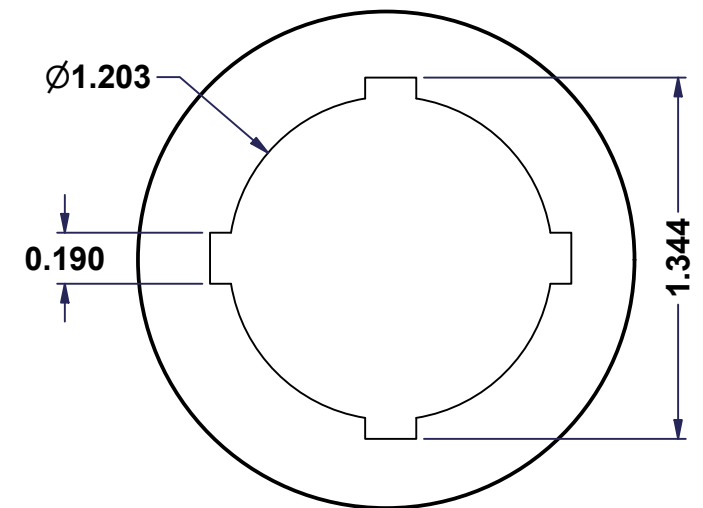
FRONT



RIGHT



BOTTOM



DETAIL B
30.5mm 4-WAY

Qty	Part Number	Rev.	Description
1	STK-Q-08350	5	Standoff M6 x 10mm
1	STK-P-02400S	0	Powder Paint (Asa-61 Grey / Smooth)
1	1412SD080302G	0	1412SD 8.5" x 3.5" Gasket
1	1412SD080302C-P	0	1412SD 8.5" x 3.5" Cover Part

Parts List

No.	Revisions	Date	By/Par

Isometric View

<p>Tél: (450) 979-4373 Fax: (450) 979-4626 www.exmweb.com</p>		Flatness Aplatissement
		Max 3.0mm
Customer Client		Date
Drawn By Dessiné Par BoxCad: ArthurC		Date 15-Sep-21
Material Matière 16 Ga H.R.P. & O. (1.4mm)		
Color Couleur Asa-61 Grey	Finish Fini Smooth	
Description 1412SD 8.5" x 3.5" Cover		Detail Rev.
Part Number Numéro Pièce 1412SD080302C		Rev. 3
		0