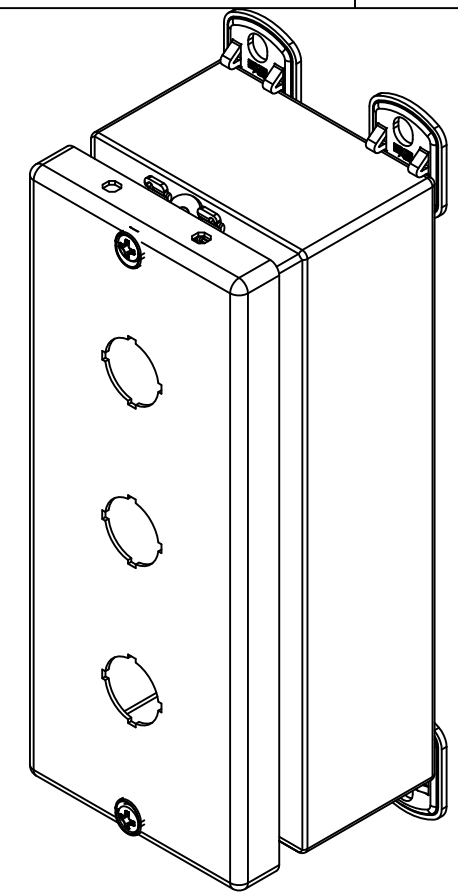
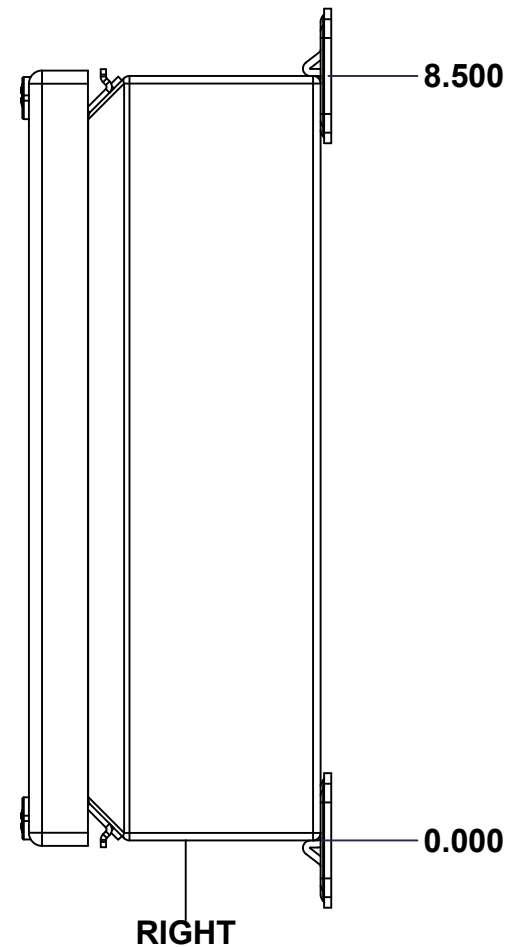
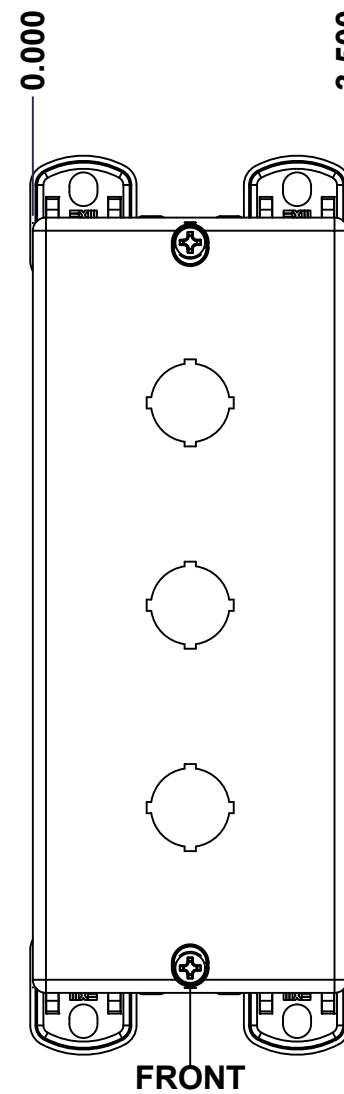
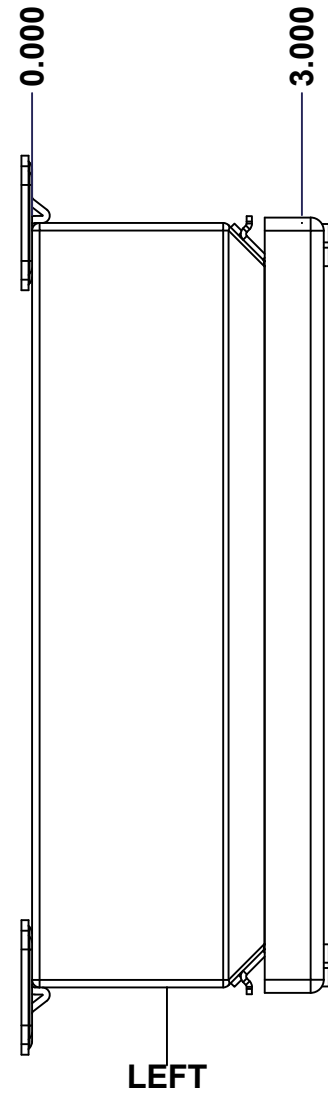
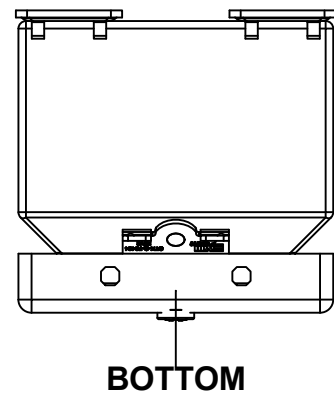
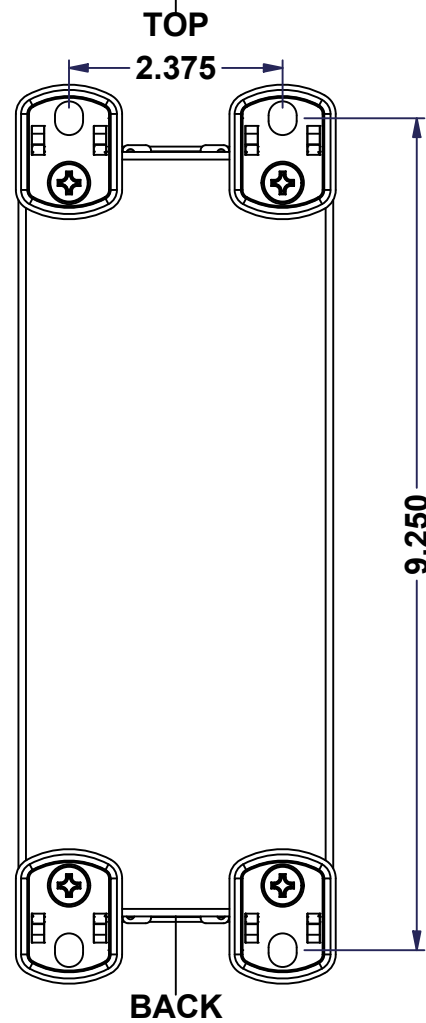
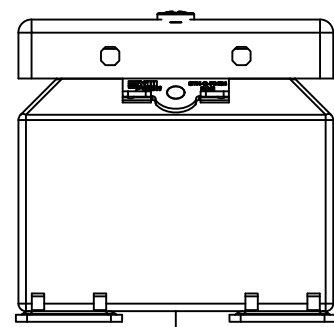


This drawing is confidential and must not be reproduced or used without the consent of EXM

Ce dessin est confidentiel et ne doit pas être reproduit ou utilisé sans le consentement de EXM



Isometric View



NOTE	
ITEM	DESCRIPTION
1	NEMA 4/12 Enclosure
2	C/W Standard ground standoffs on box and cover
3	W/O Standard door stiffener
4	W/O Inner panel
5	W/O Inner panel mounting standoffs

No.	Revisions	Date	By/Par
0.1	Update thickness to 16 gauge	22-Dec-21	Hunter
0.2	Merge the IDW files,chg ground position on cover	30-Dec-21	Arthur

Tél: (450) 979-4373 Fax: (450) 979-4626 www.exmweb.com		Flatness Aplatissement Max 3.0mm Projection
Customer Client	Date	
Drawn By Dessiné Par	BoxCad: HunterZ	Date 21-Dec-21
Material Matière	16 Ga Cold Rolled A1008 CS Type B (1.4mm)	
Color Couleur	Asa-61 Grey	Finish Fini Smooth
Description	1412SD 8.5" x 3.5" x 3" Assembly	
Part Number Numéro Pièce	1412SD080302MN	
Detail Rev.	Rev.	1
		3

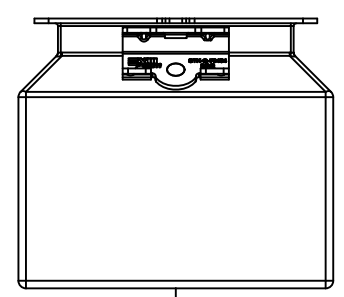
Qty	Part Number	Rev	Description
1	STK-K-09500-02	3	1412SD Accessory Kit
1	1412SD080302MNC	0	1412SD 8.5" x 3.5" Cover
1	1412SD080302MNB	0	1412SD 8.5" x 3.5" x 3" Body

Parts List

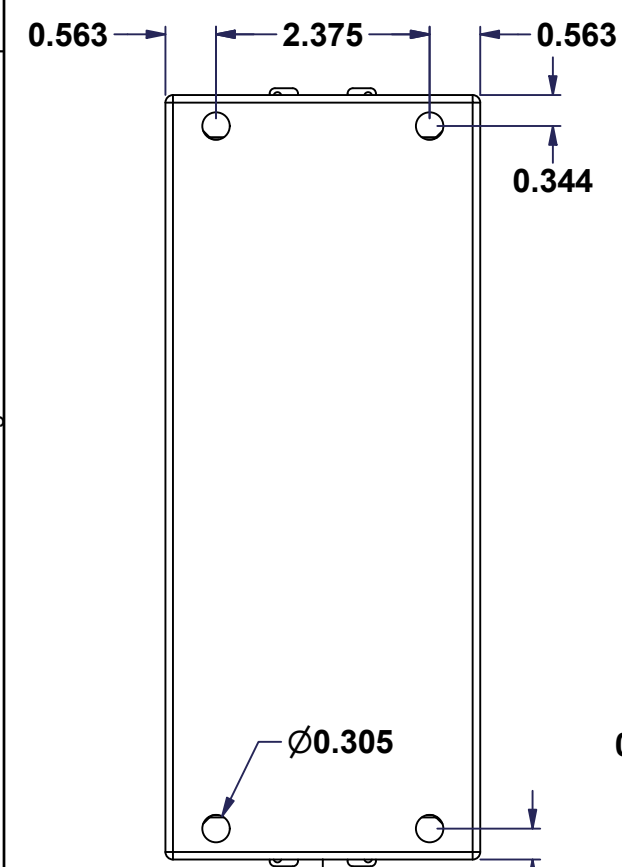
This drawing is confidential and must not be reproduced or used without the consent of EXM

Ce dessin est confidentiel et ne doit pas être reproduit ou utilisé sans le consentement de EXM

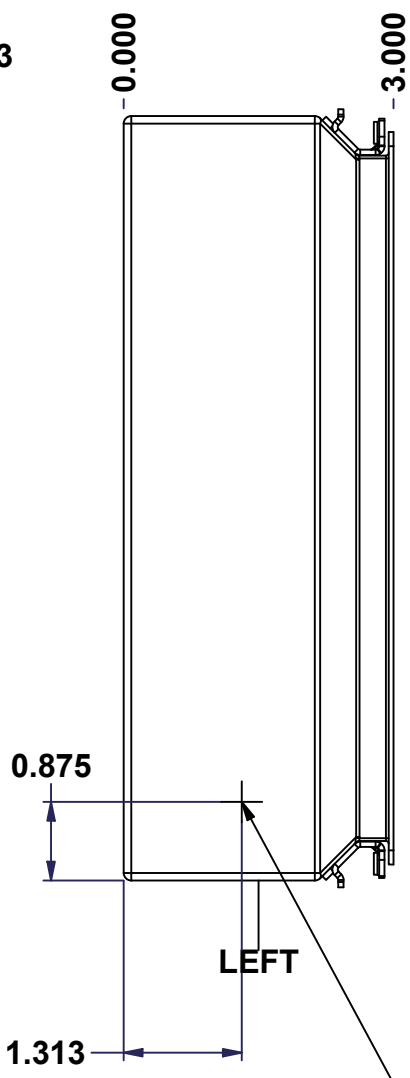
No.	Revisions	Date	By/Par
0.1	Update thickness to 16 gauge	22-Dec-21	Hunter
0.2	Merge the IDW files,chg ground position on cover	30-Dec-21	Arthur



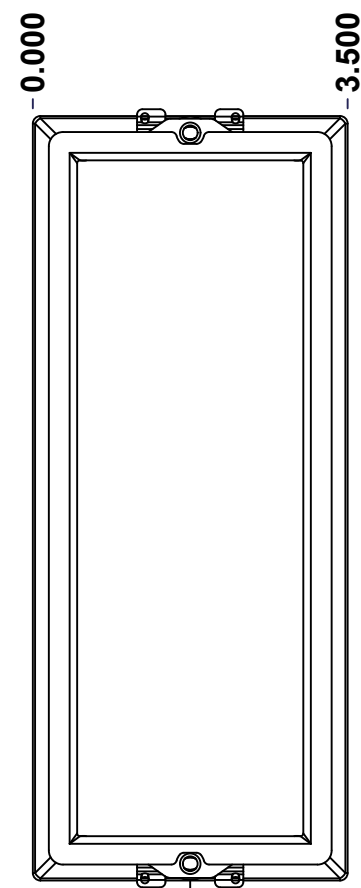
TOP



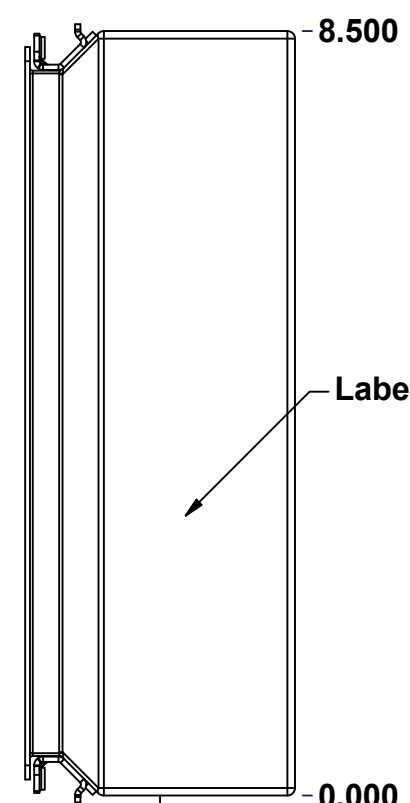
BACK



LEFT

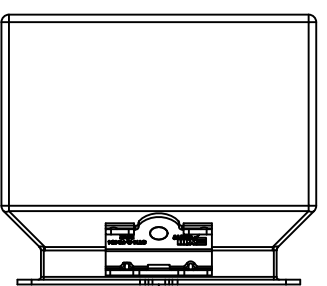


FRONT



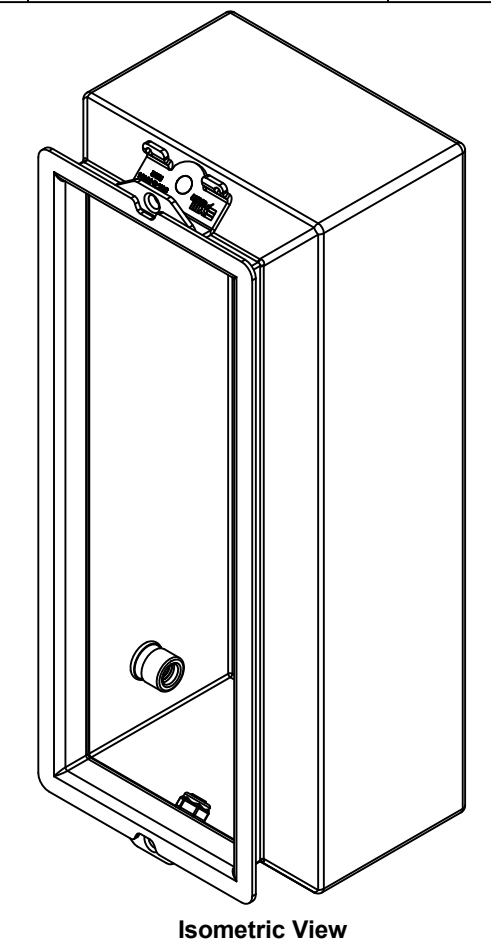
RIGHT

Label (Inside)



BOTTOM

Standoff M6x10mm (Inside)



Isometric View



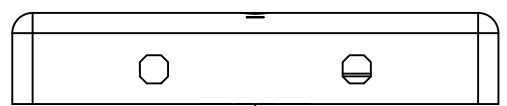
		Tél: (450) 979-4373 Fax: (450) 979-4626 www.exmweb.com		Flatness Aplatissement Max 3.0mm Projection 	
Customer Client		Date		Date 21-Dec-21	
Drawn By Dessiné Par		BoxCad: HunterZ		Date 21-Dec-21	
Material Matière		16 Ga Cold Rolled A1008 CS Type B (1.4mm)			
Color Couleur		Asa-61 Grey		Finish Fini Smooth	
Description				Detail Rev.	
1412SD 8.5" x 3.5" x 3" Body					
Part Number Numéro Pièce		1412SD080302MNB		Rev. 2	
				0	
				3	

Qty	Part Number	Rev.	Description
1	STK-S-00100	0	3.5" x 2" Silver Milar Flexcon Sticker
1	STANDOFF_M6 x 10mm	5	Standoff M6 x 10mm
1	STK-P-02400S	0	Powder Paint (Asa-61 Grey / Smooth)
1	1412SD080302MNB-P	0	1412SD 8.5" x 3.5" x 3" Body Part
2	STK-Q-70464	2	5412 ESSC & ESSSC Stainless Steel Body Catch Assembly
2	STK-Q-08100	1	M5 Nylon Insert Lock Nut

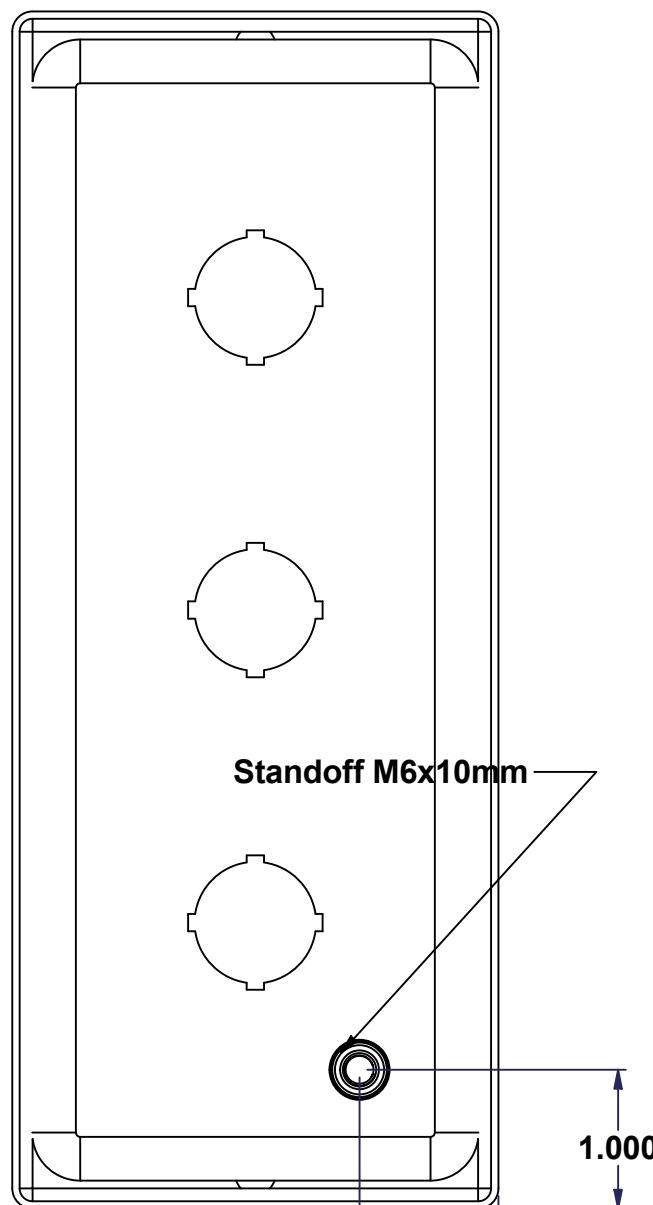
Parts List

This drawing is confidential and must not be reproduced or used without the consent of EXM

Ce dessin est confidentiel et ne doit pas être reproduit ou utilisé sans le consentement de EXM

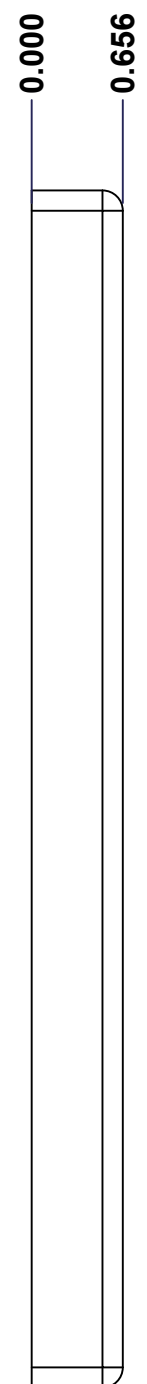


TOP

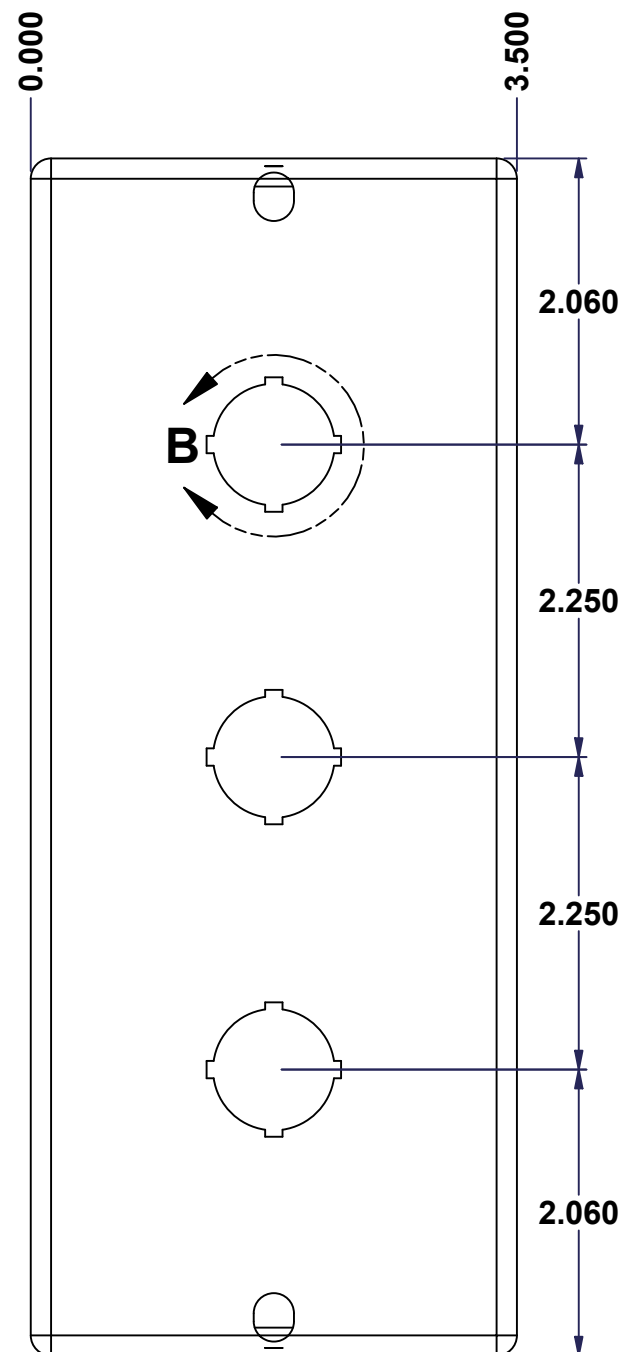


BACK

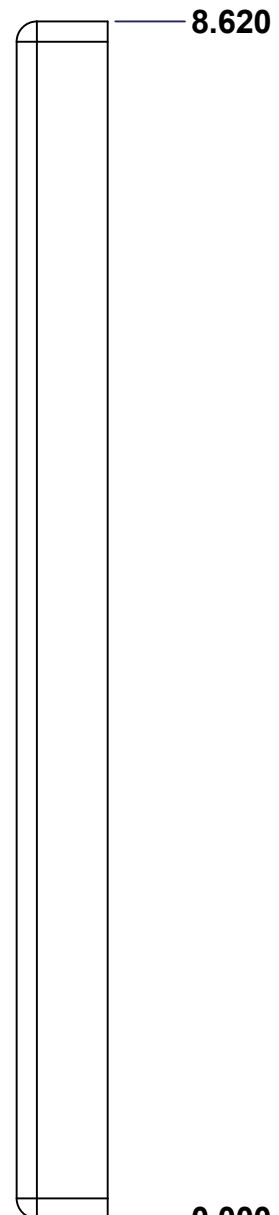
BOTTOM



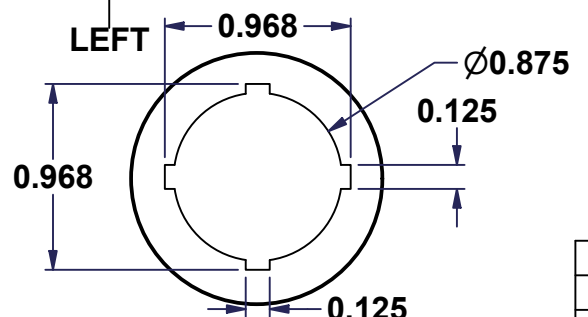
LEFT



FRONT

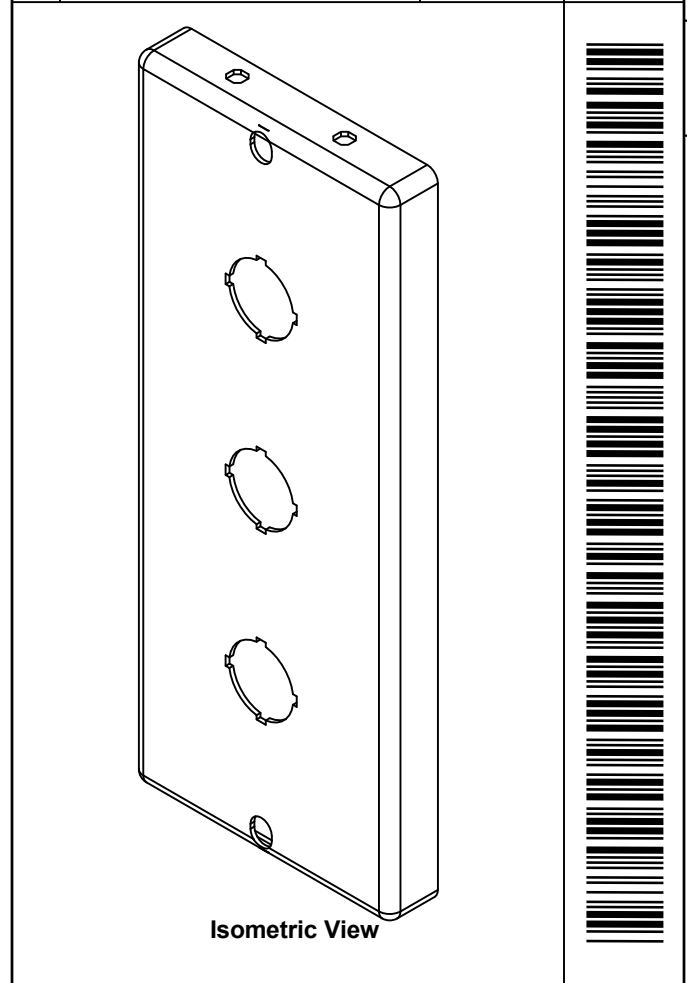


RIGHT

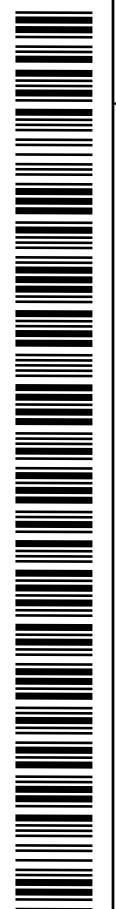


DETAIL B
22.5mm 4-WAY

No.	Revisions	Date	By/Par
0.1	Update thickness to 16 gauge	22-Dec-21	Hunter
0.2	Merge the IDW files,chg ground position on cover	30-Dec-21	Arthur



Isometric View



Tél: (450) 979-4373 Fax: (450) 979-4626 www.exmweb.com		Flatness Aplatissement Max 3.0mm Projection
Customer Client	Date	
Drawn By Dessiné Par BoxCad: HunterZ	Date 21-Dec-21	
Material Matière 16 Ga Cold Rolled A1008 CS Type B (1.4mm)		
Color Couleur Asa-61 Grey	Finish Fini Smooth	
Description 1412SD 8.5" x 3.5" Cover		Detail Rev.
Part Number Numéro Pièce 1412SD080302MNC	Rev. 0	3

Qty	Part Number	Rev.	Description
1	STANDOFF_M6 x 10mm	5	Standoff M6 x 10mm
1	STK-P-02400S	0	Powder Paint (Asa-61 Grey / Smooth)
1	1412SD080302MNG	0	1412SD 8.5" x 3.5" Gasket
1	1412SD080302MNC-P	0	1412SD 8.5" x 3.5" Cover Part

Parts List