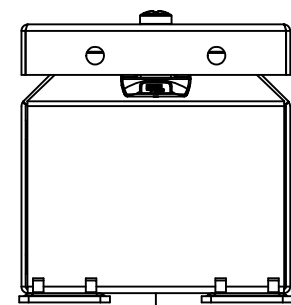
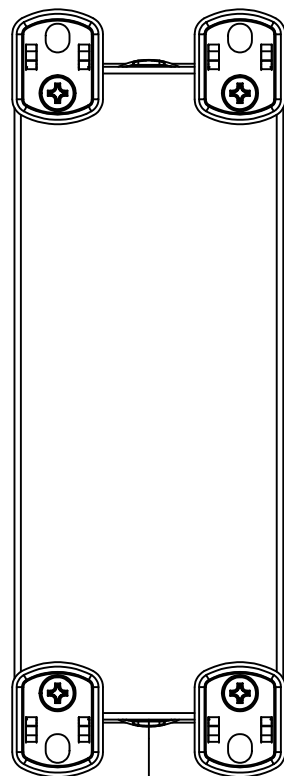


This drawing is confidential and must not be reproduced or used without the consent of EXM

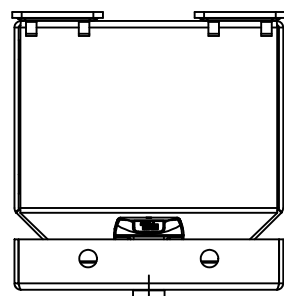
Ce dessin est confidentiel et ne doit pas être reproduit ou utilisé sans le consentement de EXM



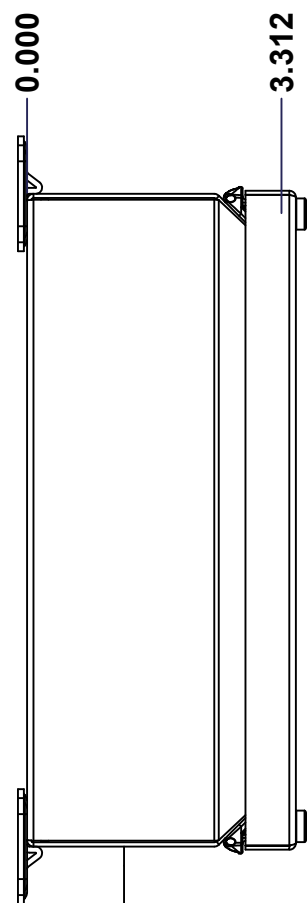
TOP



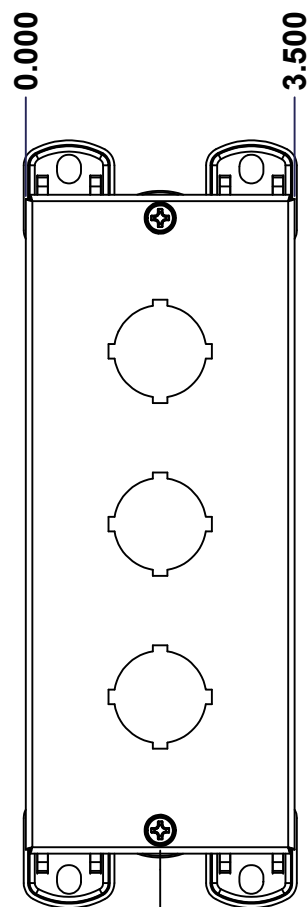
BACK



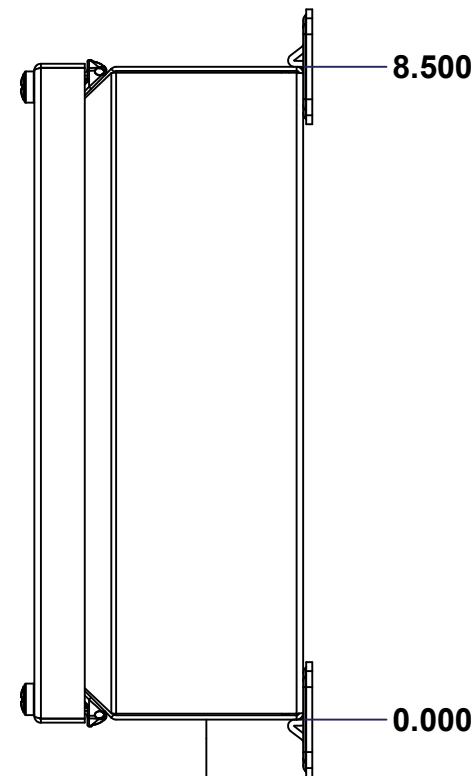
BOTTOM



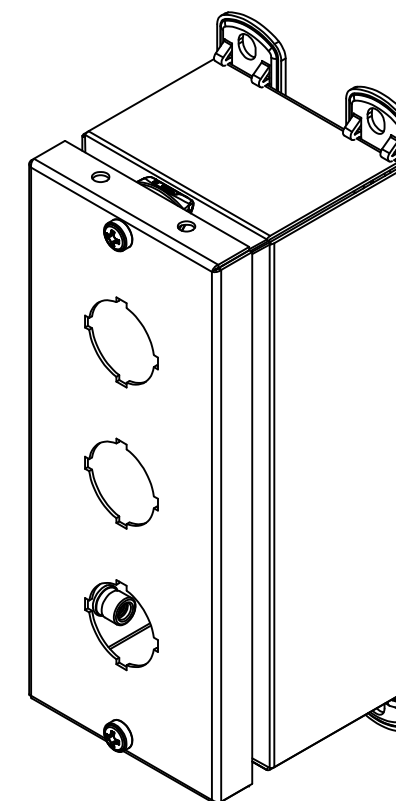
LEFT



FRONT




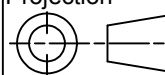
RIGHT



Isometric View



No.	Revisions	Date	By/Par

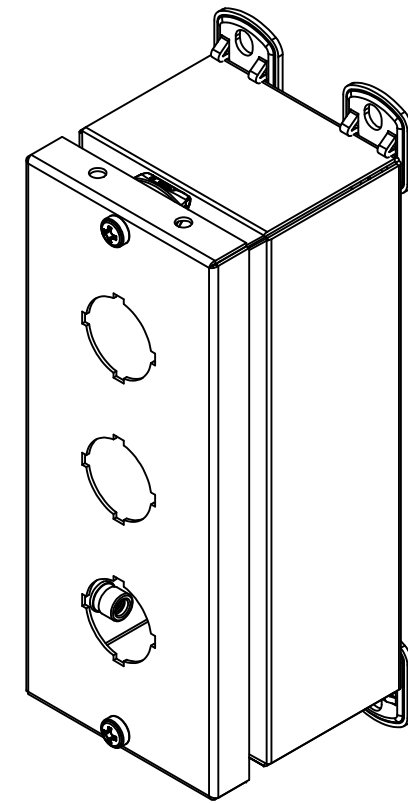
 Tél: (450) 979-4373 Fax: (450) 979-4626 <a href="http://www.exmweb.com">www.exmweb.com</a>		Flatness Aplatissement Max 3.0mm Projection 
Customer Client	Date	
Drawn By Dessiné Par BoxCad: patsan	Date 06/06/2013	
Material Matière 16 Ga Stainless Steel 304 (1.4mm)		
Color Couleur Outside Unpainted and Inside White RAL9003	Finish Fini Brushed	
Description 1412SDSS 8.5" x 3.5" x 3" Assembly		Detail Rev.
Part Number Numéro Pièce 1412SDSS080302	Rev. 0	1 2

SEE BILL OF MATERIAL ON LAST PAGE

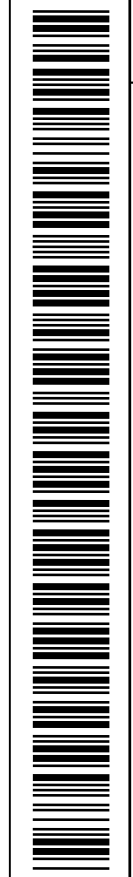
This drawing is confidential and must not be reproduced or used without the consent of EXM

Ce dessin est confidentiel et ne doit pas être reproduit ou utilisé sans le consentement de EXM

No.	Revisions	Date	By/Par



Isometric View



Tél: (450) 979-4373  
 Fax: (450) 979-4626  
[www.exmweb.com](http://www.exmweb.com)

Flatness  
Aplatissement  
Max 3.0mm  
Projection

Customer Client	Date
Drawn By Dessiné Par BoxCad: patsan	Date 06/06/2013
Material Matière 16 Ga Stainless Steel 304 (1.4mm)	

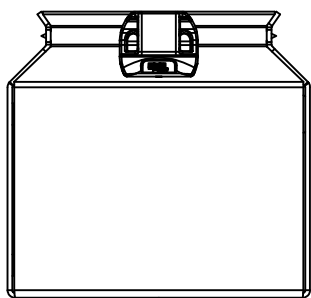
Color Couleur Outside Unpainted and Inside White RAL9003	Finish Fini Brushed
---	------------------------

Qty	Part Number	Rev	Description
1	1412SDSS080302C	0	1412SDSS 8.5" x 3.5" Cover
1	STK-K-09600-02	0	Pushbutton Accessory Kit (2 Screws Construction)
1	1412SDSS080302B	0	1412SDSS 8.5" x 3.5" x 3" Body
Parts List			

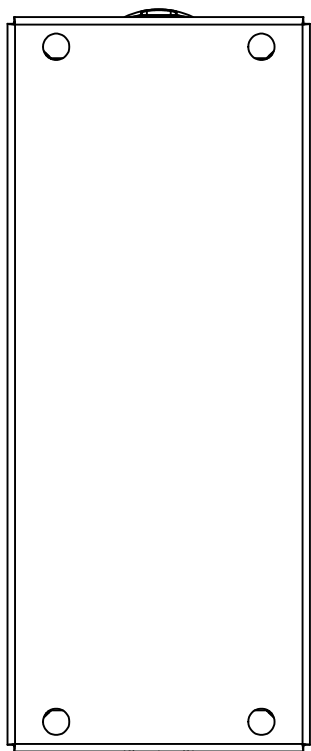
Description 1412SDSS 8.5" x 3.5" x 3" Assembly	Detail Rev.
Part Number Numéro Pièce <b>1412SDSS080302</b>	Rev. 2 <b>0</b>

This drawing is confidential and must not be reproduced or used without the consent of EXM

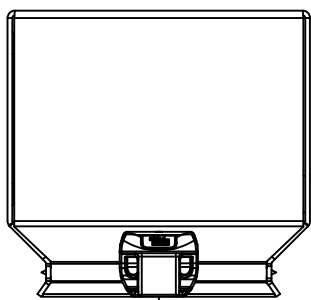
Ce dessin est confidentiel et ne doit pas être reproduit ou utilisé sans le consentement de EXM



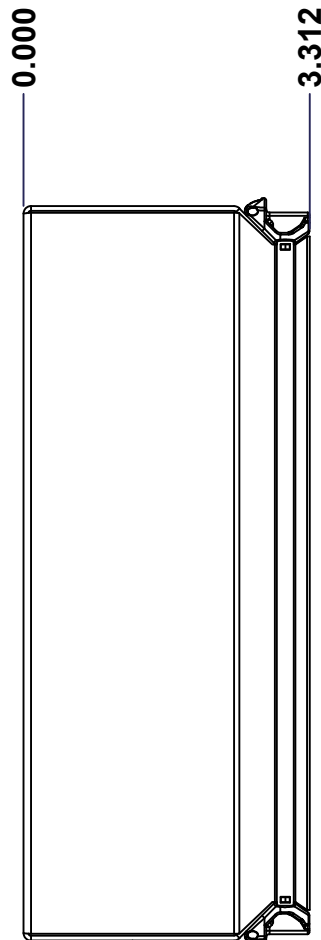
TOP



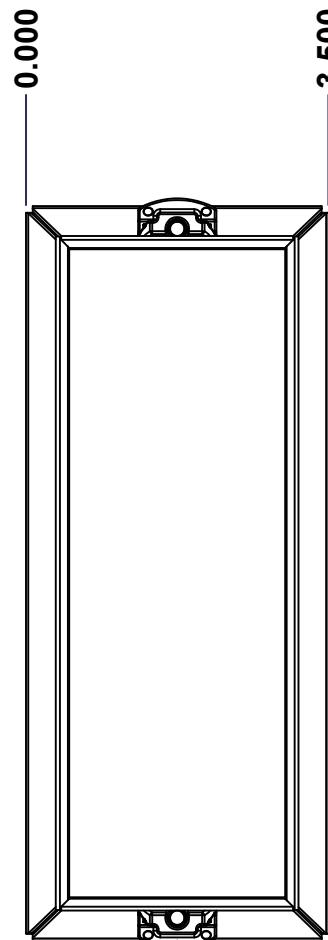
BACK



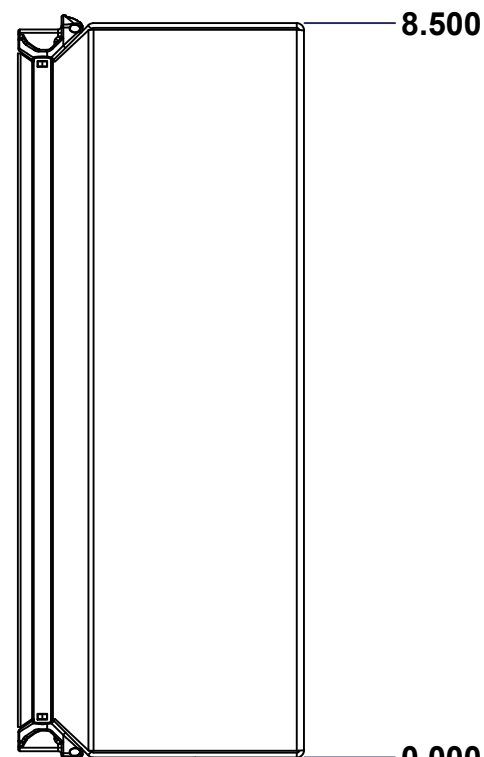
BOTTOM



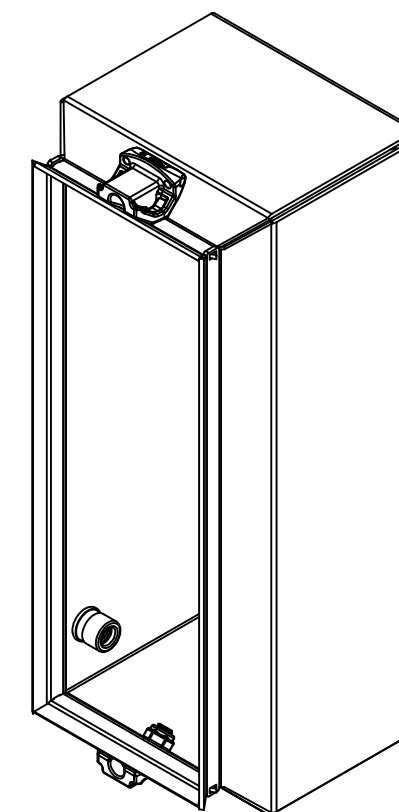
LEFT



FRONT



RIGHT



Isometric View



No.	Revisions	Date	By/Par


 Tél: (450) 979-4373  
 Fax: (450) 979-4626  
[www.exmweb.com](http://www.exmweb.com)

Flatness / Aplatissement: Max 3.0mm  
 Projection: 

Customer / Client	Date
Drawn By / Dessiné Par: BoxCad: patsan	Date: 06/06/2013

Material / Matière: 16 Ga Stainless Steel 304 (1.4mm)

Color / Couleur: Outside Unpainted and Inside White RAL9003  
 Finish / Fini: Brushed

Description: 1412SDSS 8.5" x 3.5" x 3" Body  
 Detail Rev.

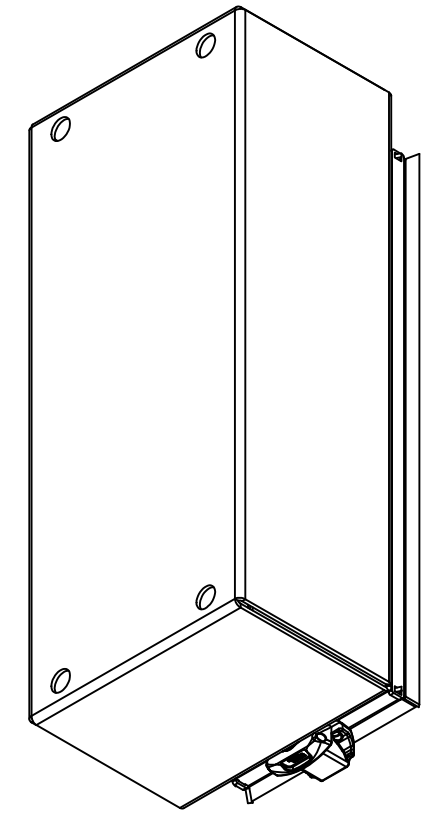
Part Number / Numéro Pièce: 1412SDSS080302B	Rev. 0	1 / 7
---	--------	-------

SEE BILL OF MATERIAL ON LAST PAGE

This drawing is confidential and must not be reproduced or used without the consent of EXM

Ce dessin est confidentiel et ne doit pas être reproduit ou utilisé sans le consentement de EXM

No.	Revisions	Date	By/Par



Isometric View

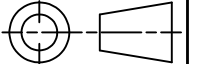


Tél: (450) 979-4373  
 Fax: (450) 979-4626  
[www.exmweb.com](http://www.exmweb.com)

Flatness  
Aplatissement

Max 3.0mm

Projection



Customer Client	Date
Drawn By Dessiné Par BoxCad: patsan	Date 06/06/2013
Material Matière 16 Ga Stainless Steel 304 (1.4mm)	

Color Couleur Outside Unpainted and Inside White RAL9003	Finish Fini Brushed
---	------------------------

Description 1412SDSS 8.5" x 3.5" x 3" Body	Detail Rev.
---	-------------

Part Number Numéro Pièce <b>1412SDSS080302B</b>	Rev. <b>0</b>	<b>7</b>
---	------------------	----------

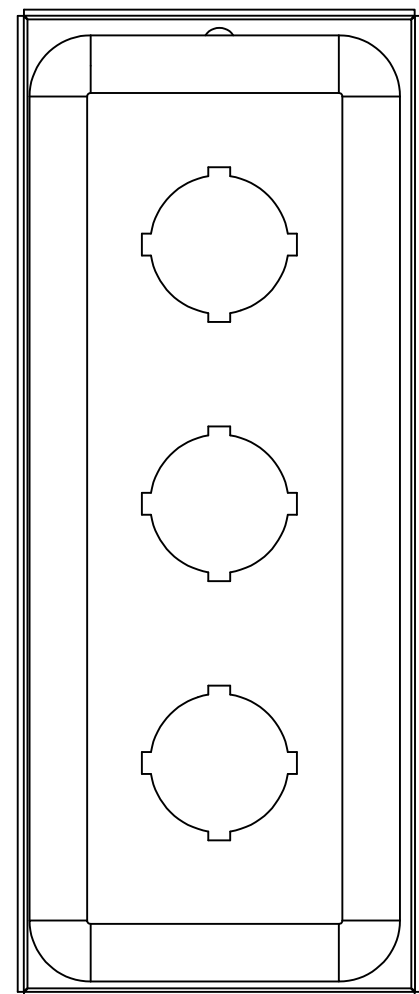
Qty	Part Number	Rev	Description
2	STK-Q-70464	0	5412ESSMSC - Stainless Steel Body Catch Screw Cover
1	STK-P-02401S	0	Powder Paint (White / Smooth)
1	STK-S-00100	0.1.1	3.5" x 2" Silver Milar Flexcon Sticker
1	1412SDSS080302B-P	0	1412SDSS 8.5" x 3.5" x 3" Body Part
1	STK-Q-08500	4	Stainless Steel Standoff M6 x 10mm
2	STK-Q-08100	1	M5 Nylon Insert Lock Nut
Parts List			

This drawing is confidential and must not be reproduced or used without the consent of EXM

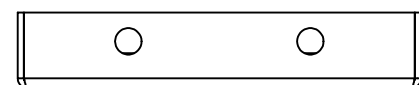
Ce dessin est confidentiel et ne doit pas être reproduit ou utilisé sans le consentement de EXM



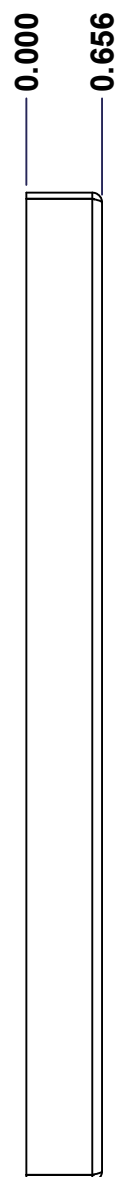
TOP



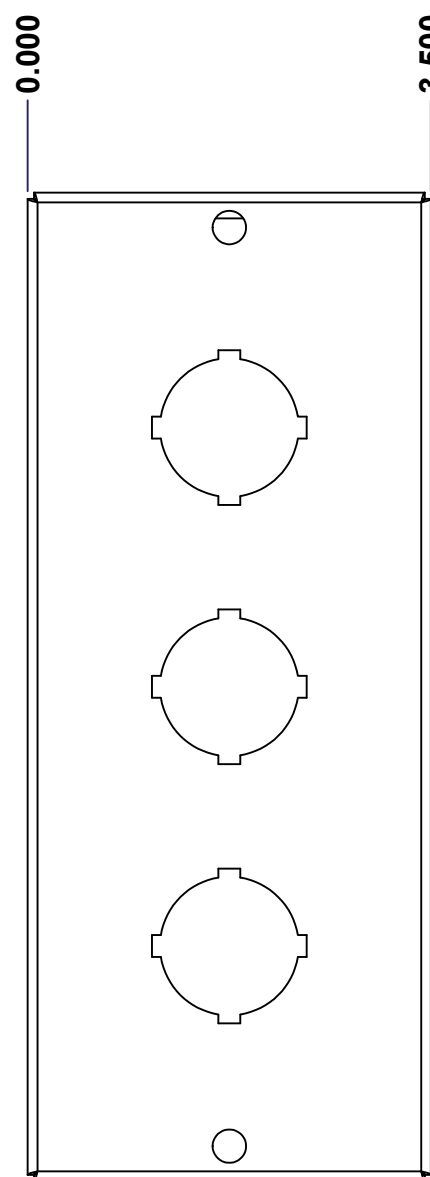
BACK



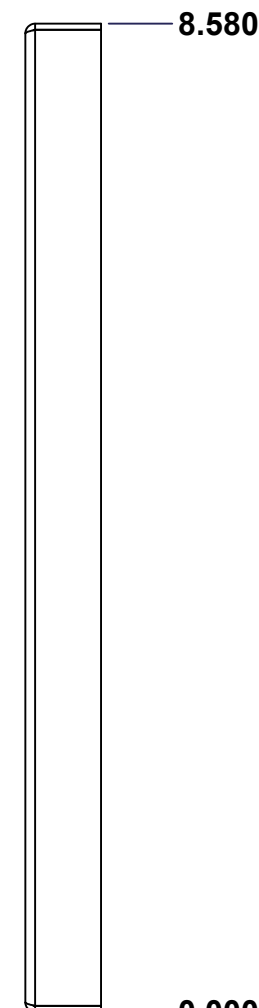
BOTTOM



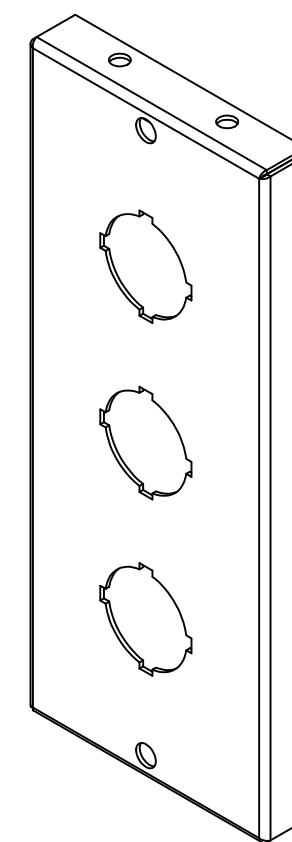
LEFT



FRONT




RIGHT



Isometric View



No.	Revisions	Date	By/Par

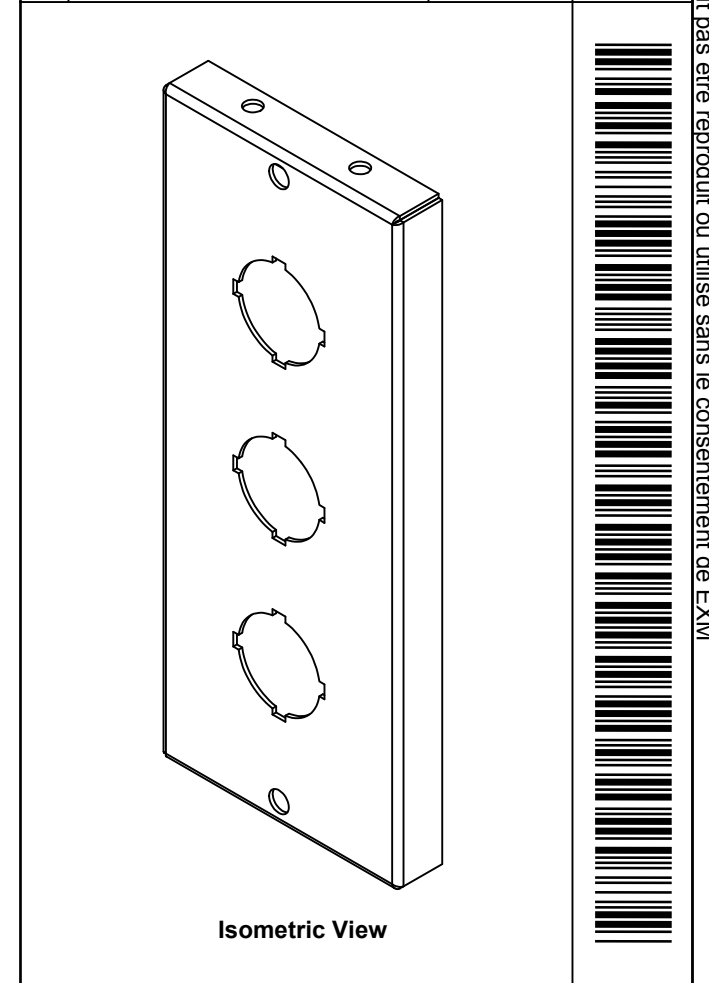
 Tél: (450) 979-4373 Fax: (450) 979-4626 <a href="http://www.exmweb.com">www.exmweb.com</a>		Flatness Aplatissement Max 3.0mm Projection 
Customer Client	Date	
Drawn By Dessiné Par	BoxCad: patsan	Date 06/06/2013
Material Matière	16 Ga Stainless Steel 304 (1.4mm)	
Color Couleur	Outside Unpainted and Inside White RAL9003	Finish Fini Brushed
Description	Detail Rev.	
1412SDSS 8.5" x 3.5" Cover		
Part Number Numéro Pièce	Rev.	1
1412SDSS080302C	0	3

SEE BILL OF MATERIAL ON LAST PAGE

This drawing is confidential and must not be reproduced or used without the consent of EXM

Ce dessin est confidentiel et ne doit pas être reproduit ou utilisé sans le consentement de EXM

No.	Revisions	Date	By/Par



**EXM**  
www.exmweb.com

Tél: (450) 979-4373  
Fax: (450) 979-4626

Flatness  
Aplatissement  
Max 3.0mm

Projection

Customer Client \_\_\_\_\_ Date \_\_\_\_\_

Drawn By / Dessiné Par BoxCad: patsan Date 06/06/2013

Material / Matière 16 Ga Stainless Steel 304 (1.4mm)

Color / Couleur Outside Unpainted and Inside White RAL9003 Finish / Fini Brushed

Description 1412SDSS 8.5" x 3.5" Cover

Detail Rev. \_\_\_\_\_

Part Number / Numéro Pièce **1412SDSS080302C**

Rev. **0**

3 / 3

Qty	Part Number	Rev	Description
1	STK-P-02401S	0	Powder Paint (White / Smooth)
1	1412SDSS080302G	0	1412SDSS 8.5" x 3.5" Gasket
1	1412SDSS080302C-P	0	1412SDSS 8.5" x 3.5" Cover Part
Parts List			