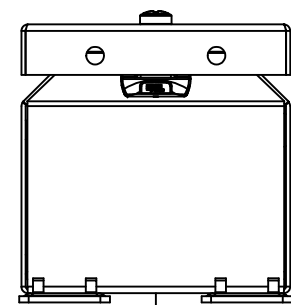
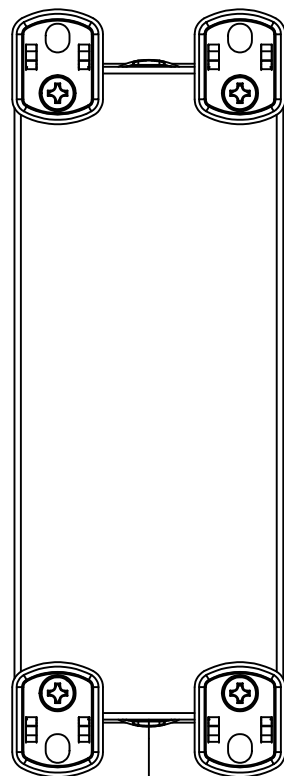


This drawing is confidential and must not be reproduced or used without the consent of EXM

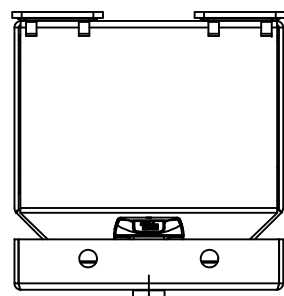
Ce dessin est confidentiel et ne doit pas être reproduit ou utilisé sans le consentement de EXM



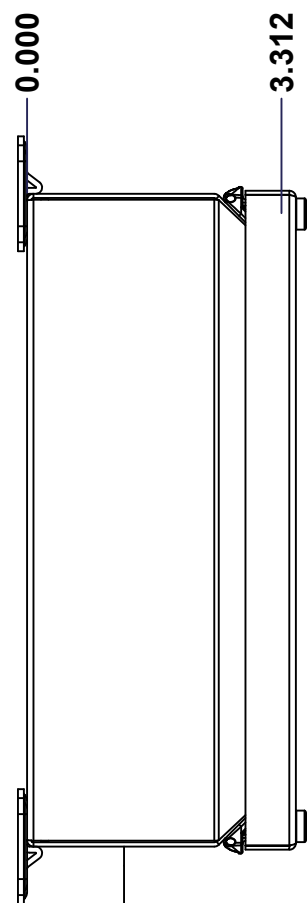
TOP



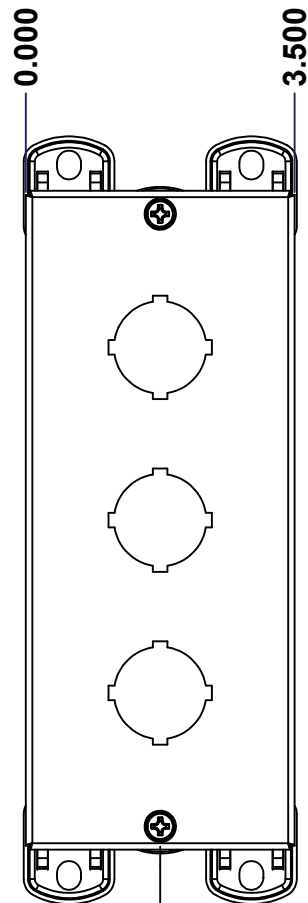
BACK



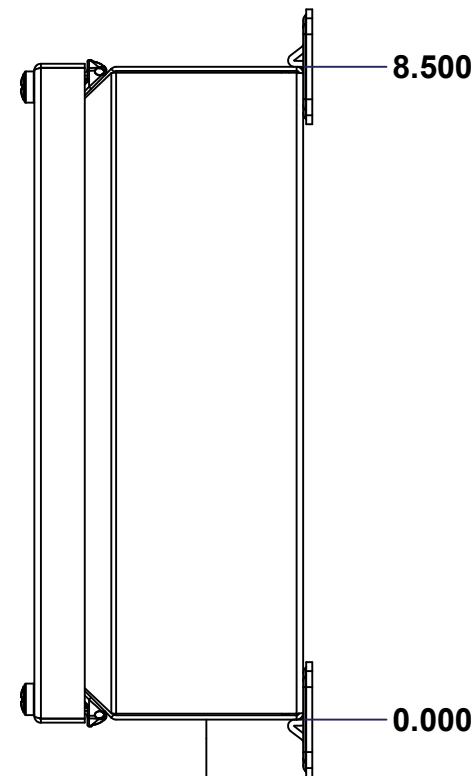
BOTTOM



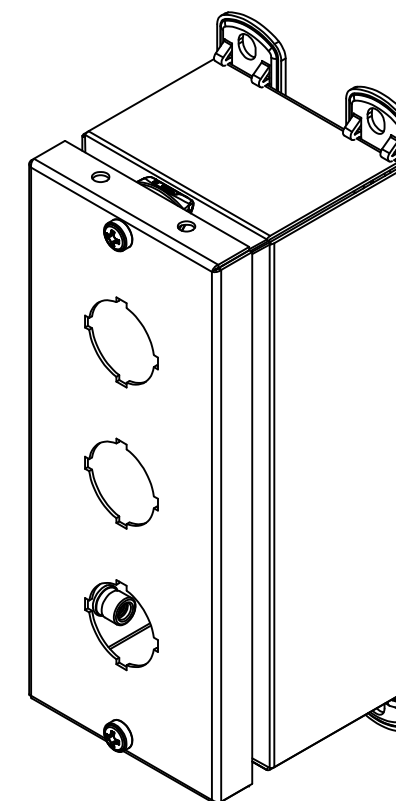
LEFT



FRONT




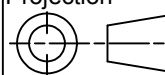
RIGHT



Isometric View



No.	Revisions	Date	By/Par

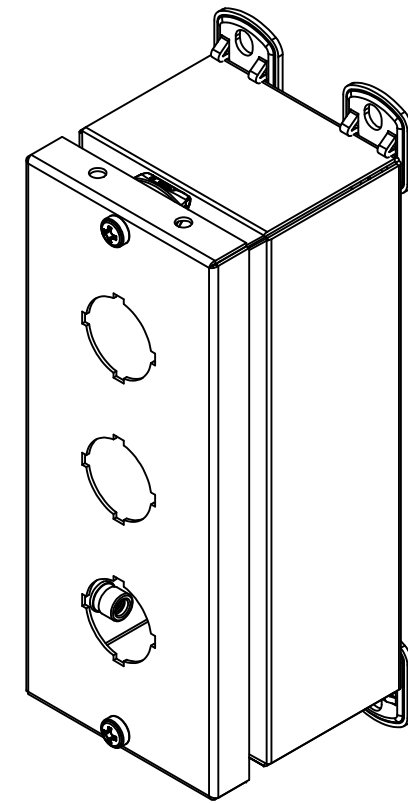
 Tél: (450) 979-4373 Fax: (450) 979-4626 <a href="http://www.exmweb.com">www.exmweb.com</a>		Flatness Aplatissement Max 3.0mm Projection 
Customer Client	Date	
Drawn By Dessiné Par	BoxCad: patsan	Date 06/06/2013
Material Matière 16 Ga Stainless Steel 316 (1.4mm)		
Color Couleur	Outside Unpainted and Inside White RAL9003	Finish Fini Brushed
Description 1412SDSS6 8.5" x 3.5" x 3" Assembly		Detail Rev.
Part Number Numéro Pièce	1412SDSS0803026	Rev. 1 0

SEE BILL OF MATERIAL ON LAST PAGE

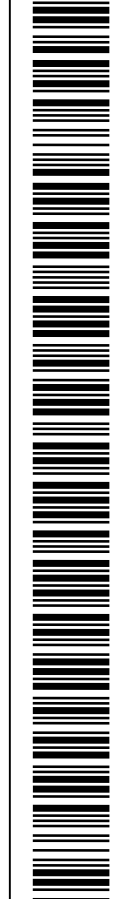
This drawing is confidential and must not be reproduced or used without the consent of EXM

Ce dessin est confidentiel et ne doit pas être reproduit ou utilisé sans le consentement de EXM

No.	Revisions	Date	By/Par



Isometric View



Tél: (450) 979-4373  
 Fax: (450) 979-4626  
[www.exmweb.com](http://www.exmweb.com)

Flatness  
Aplatissement  
Max 3.0mm  
Projection

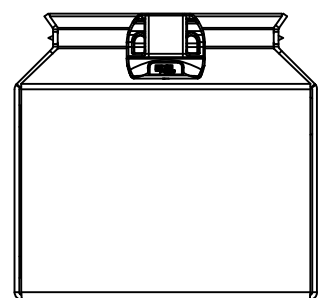
Customer Client	Date
Drawn By Dessiné Par BoxCad: patsan	Date 06/06/2013
Material Matière 16 Ga Stainless Steel 316 (1.4mm)	
Color Couleur Outside Unpainted and Inside White RAL9003	Finish Fini Brushed

Qty	Part Number	Rev	Description
1	1412SDSS0803026C	0	1412SDSS6 8.5" x 3.5" Cover
1	STK-K-09600-02	0	Pushbutton Accessory Kit (2 Screws Construction)
1	1412SDSS0803026B	0	1412SDSS6 8.5" x 3.5" x 3" Body
Parts List			

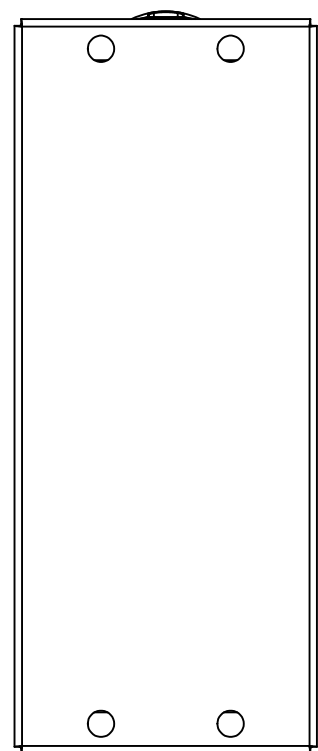
Description 1412SDSS6 8.5" x 3.5" x 3" Assembly	Detail Rev.
Part Number Numéro Pièce <b>1412SDSS0803026</b>	Rev. 2 <b>0</b>

This drawing is confidential and must not be reproduced or used without the consent of EXM

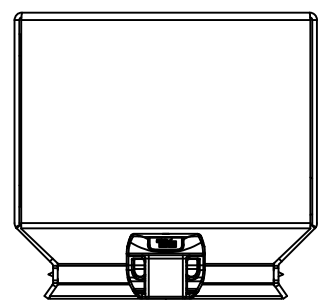
Ce dessin est confidentiel et ne doit pas être reproduit ou utilisé sans le consentement de EXM



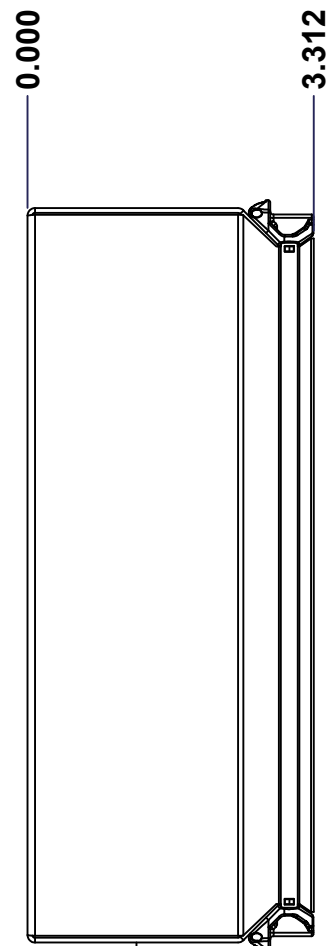
TOP



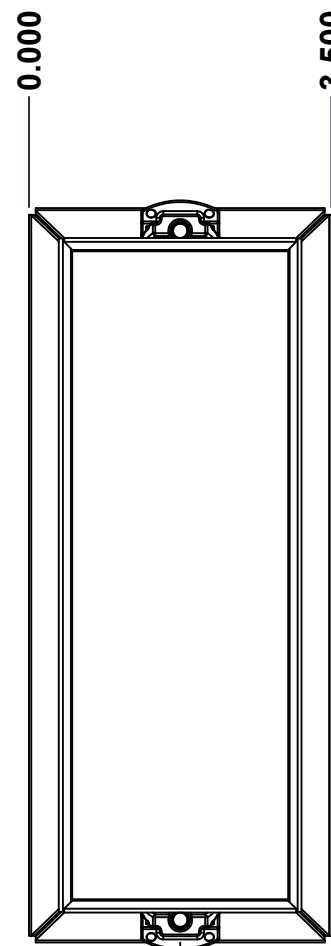
BACK



BOTTOM



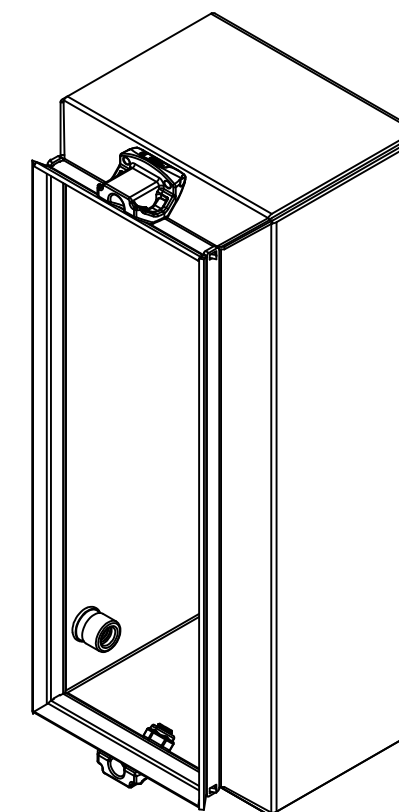
LEFT



FRONT



RIGHT



Isometric View



No.	Revisions	Date	By/Par


 Tél: (450) 979-4373  
 Fax: (450) 979-4626  
[www.exmweb.com](http://www.exmweb.com)

Flatness / Aplatissement: Max 3.0mm  
 Projection: 

Customer / Client	Date
Drawn By / Dessiné Par: BoxCad: patsan	Date: 06/06/2013

Material / Matière: 16 Ga Stainless Steel 316 (1.4mm)

Color / Couleur: Outside Unpainted and Inside White RAL9003  
 Finish / Fini: Brushed

Description: 1412SDSS6 8.5" x 3.5" x 3" Body  
 Detail Rev.

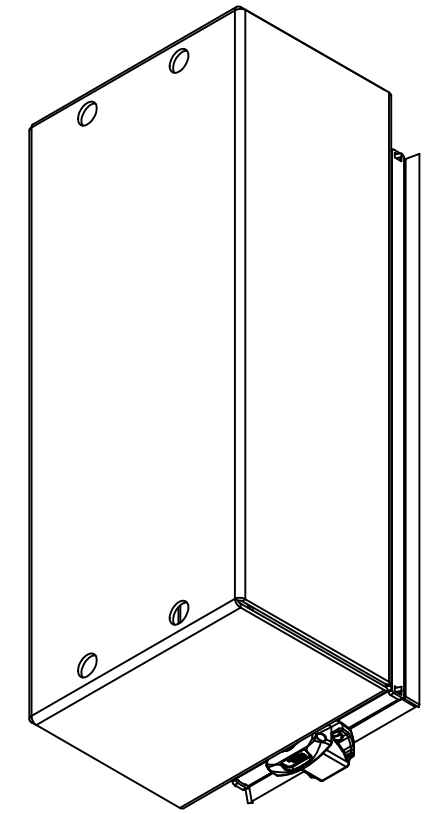
Part Number / Numéro Pièce: 1412SDSS0803026B	Rev. 0	1 / 7
--	--------	-------

SEE BILL OF MATERIAL ON LAST PAGE

This drawing is confidential and must not be reproduced or used without the consent of EXM


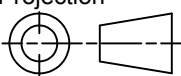
Ce dessin est confidentiel et ne doit pas être reproduit ou utilisé sans le consentement de EXM

No.	Revisions	Date	By/Par



Isometric View

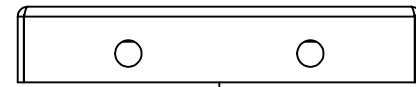


 Tél: (450) 979-4373 Fax: (450) 979-4626 <a href="http://www.exmweb.com">www.exmweb.com</a>	Flatness Aplatissement	Max 3.0mm
	Projection	
Customer Client	Date	
Drawn By Dessiné Par	BoxCad: patsan	Date 06/06/2013
Material Matière	16 Ga Stainless Steel 316 (1.4mm)	
Color Couleur	Outside Unpainted and Inside White RAL9003	Finish Fini Brushed
Description	Detail Rev.	
1412SDSS6 8.5" x 3.5" x 3" Body		
Part Number Numéro Pièce	Rev.	7
<b>1412SDSS0803026B</b>	<b>0</b>	<b>7</b>

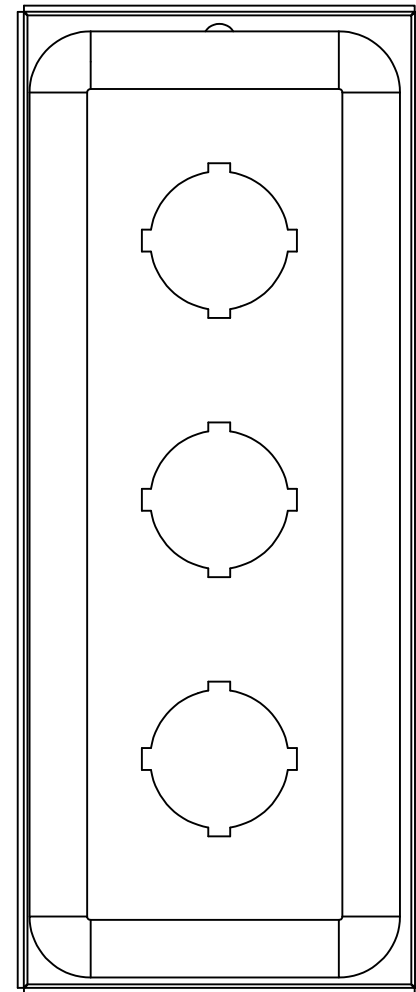
Qty	Part Number	Rev	Description
2	STK-Q-70464	0	5412ESSMSC - Stainless Steel Body Catch Screw Cover
1	STK-P-02401S	0	Powder Paint (White / Smooth)
1	STK-S-00100	0.1.1	3.5" x 2" Silver Milar Flexcon Sticker
1	1412SDSS0803026B-P	0	1412SDSS6 8.5" x 3.5" x 3" Body Part
1	STK-Q-08500	4	Stainless Steel Standoff M6 x 10mm
2	STK-Q-08100	1	M5 Nylon Insert Lock Nut
Parts List			

This drawing is confidential and must not be reproduced or used without the consent of EXM

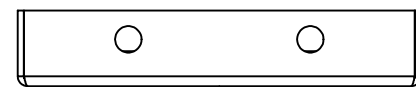
Ce dessin est confidentiel et ne doit pas être reproduit ou utilisé sans le consentement de EXM



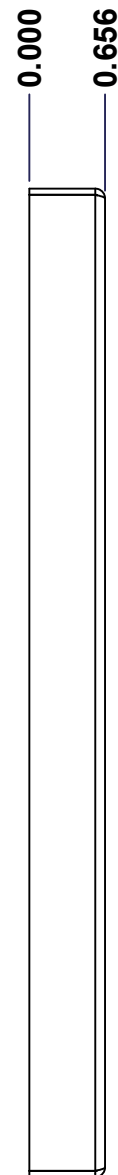
TOP



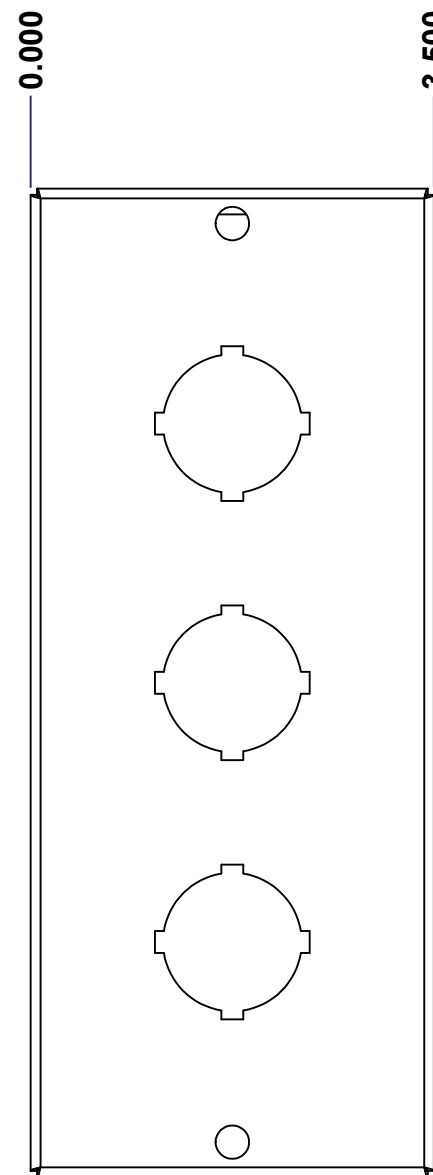
BACK



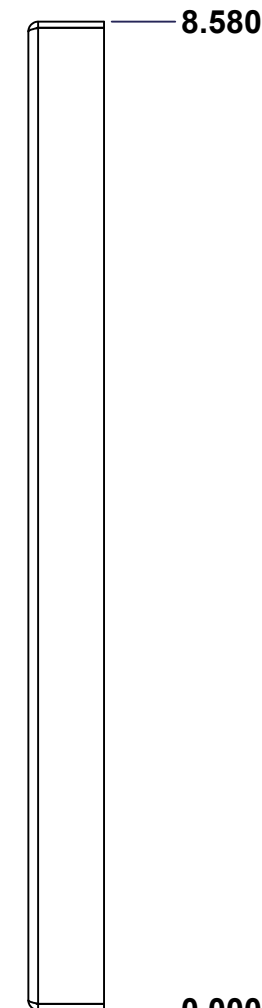
BOTTOM



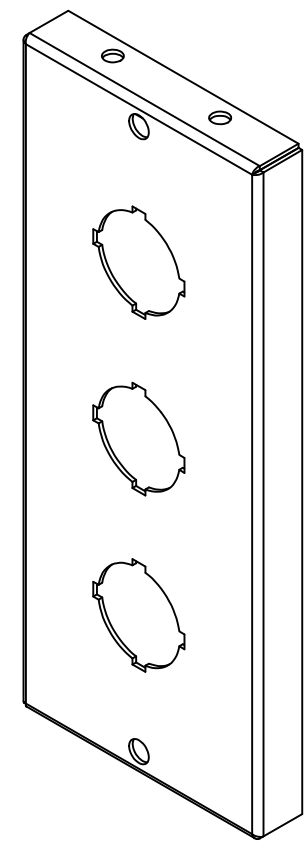
LEFT



FRONT




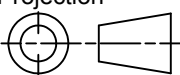
RIGHT



Isometric View



No.	Revisions	Date	By/Par

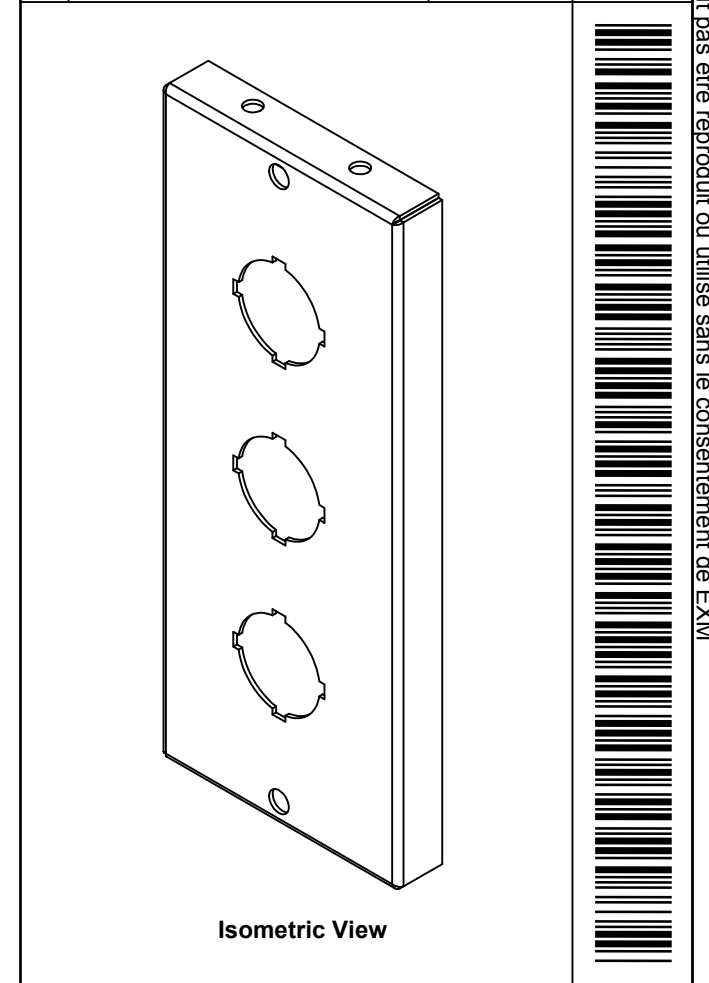
 Tél: (450) 979-4373 Fax: (450) 979-4626 <a href="http://www.exmweb.com">www.exmweb.com</a>		Flatness Aplatissement Max 3.0mm Projection 
Customer Client	Date	
Drawn By Dessiné Par	BoxCad: patsan	Date 06/06/2013
Material Matière	16 Ga Stainless Steel 316 (1.4mm)	
Color Couleur	Outside Unpainted and Inside White RAL9003	Finish Fini Brushed
Description	Detail Rev.	
1412SDSS6 8.5" x 3.5" Cover		
Part Number Numéro Pièce	Rev.	1
1412SDSS0803026C	0	3


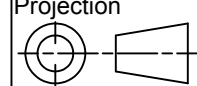
SEE BILL OF MATERIAL ON LAST PAGE

This drawing is confidential and must not be reproduced or used without the consent of EXM

Ce dessin est confidentiel et ne doit pas être reproduit ou utilisé sans le consentement de EXM

No.	Revisions	Date	By/Par



 Tél: (450) 979-4373 Fax: (450) 979-4626 <a href="http://www.exmweb.com">www.exmweb.com</a>		Flatness Aplatissement Max 3.0mm
Customer Client		Projection 
Drawn By / Dessiné Par: BoxCad: patsan		Date: 06/06/2013
Material / Matière: 16 Ga Stainless Steel 316 (1.4mm)		
Color / Couleur: Outside Unpainted and Inside White RAL9003	Finish / Fini: Brushed	
Description: 1412SDSS6 8.5" x 3.5" Cover		Detail Rev.
Part Number / Numéro Pièce: <b>1412SDSS0803026C</b>		Rev. 0 / 3

Qty	Part Number	Rev	Description
1	STK-P-02401S	0	Powder Paint (White / Smooth)
1	1412SDSS0803026G	0	1412SDSS6 8.5" x 3.5" Gasket
1	1412SDSS0803026C-P	0	1412SDSS6 8.5" x 3.5" Cover Part
Parts List			