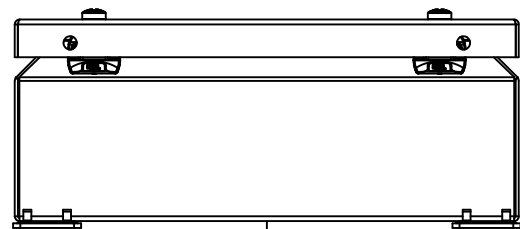
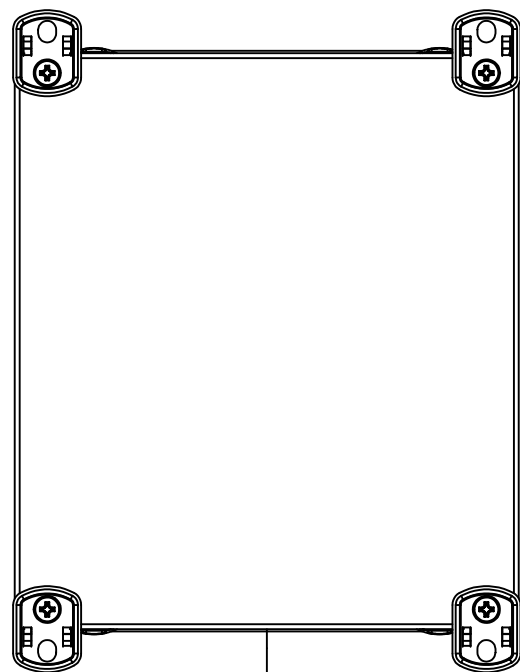


This drawing is confidential and must not be reproduced or used without the consent of EXM

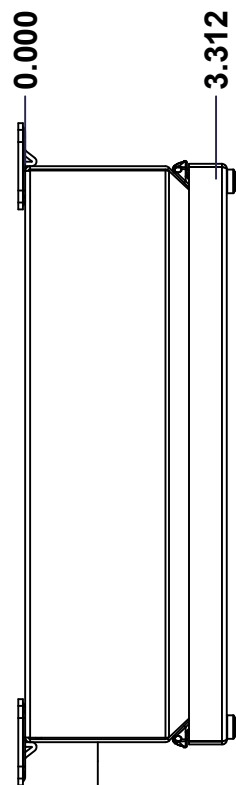
Ce dessin est confidentiel et ne doit pas être reproduit ou utilisé sans le consentement de EXM



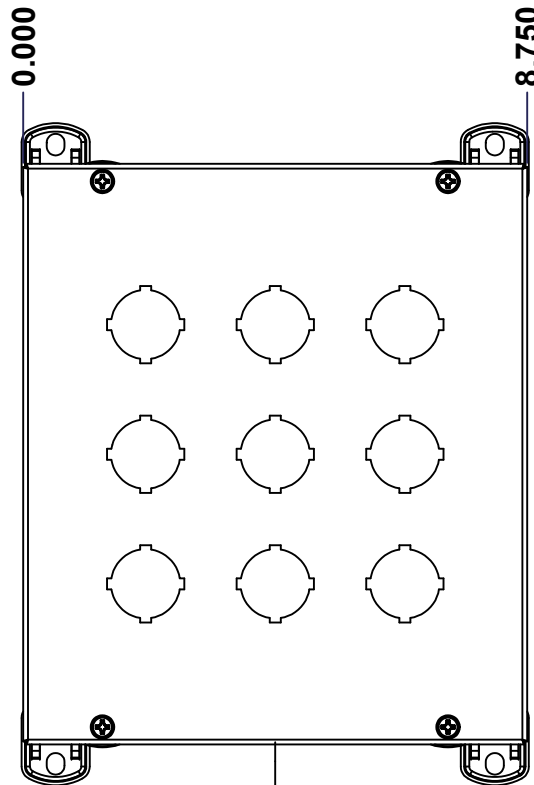
TOP



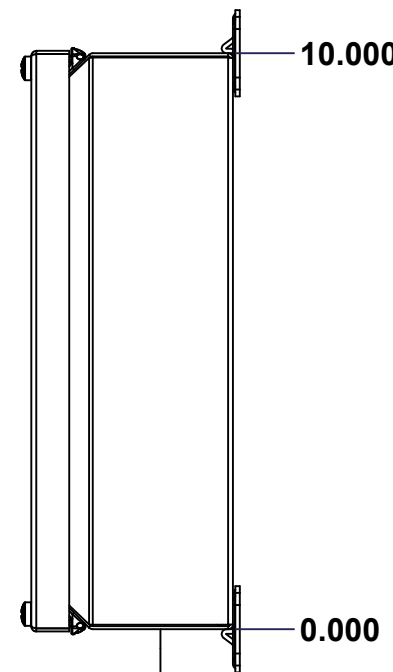
BACK



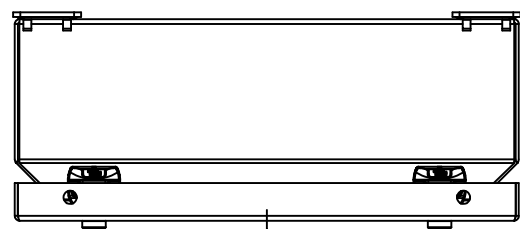
LEFT



FRONT

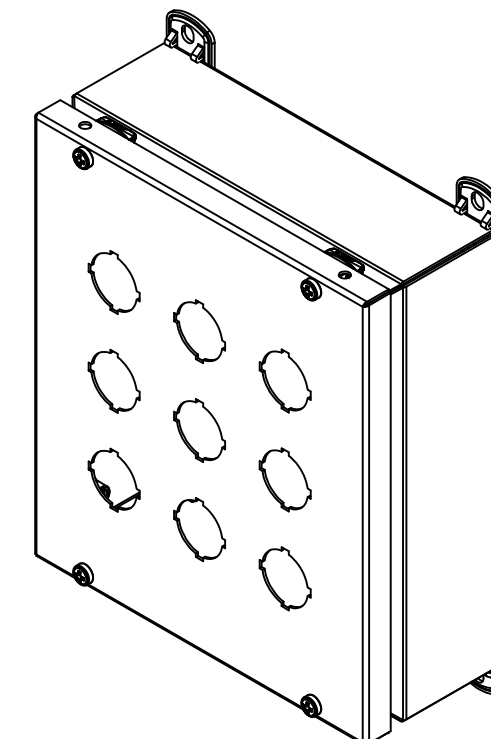


RIGHT

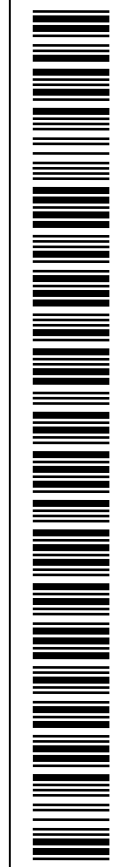



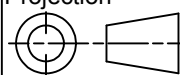
BOTTOM

No.	Revisions	Date	By/Par



Isometric View



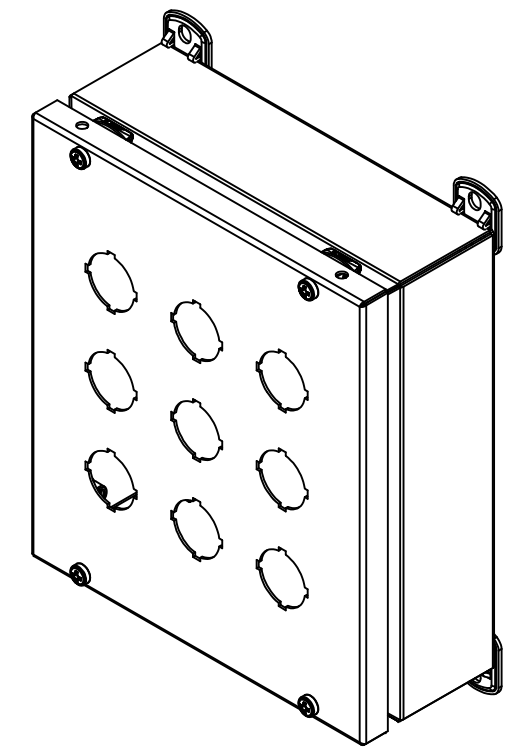
 Tél: (450) 979-4373 Fax: (450) 979-4626 www.exmweb.com		Flatness Aplatissement
		Max 3.0mm
Projection 		Date
Customer Client		Date
Drawn By Dessiné Par	BoxCad: patsan	Date 06/06/2013
Material Matière	16 Ga Stainless Steel 304 (1.4mm)	
Color Couleur	Outside Unpainted and Inside White RAL9003	Finish Fini Brushed
Description		Detail Rev.
1412SDSS 10" x 8.75" x 3" Assembly		
Part Number Numéro Pièce	1412SDSS090803	Rev. 1
		2

SEE BILL OF MATERIAL ON LAST PAGE

This drawing is confidential and must not be reproduced or used without the consent of EXM

Ce dessin est confidentiel et ne doit pas être reproduit ou utilisé sans le consentement de EXM

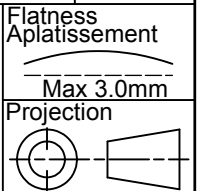
No.	Revisions	Date	By/Par



Isometric View



Tél: (450) 979-4373
 Fax: (450) 979-4626
www.exmweb.com



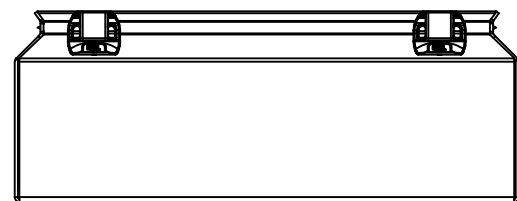
Customer Client	Date
Drawn By Dessiné Par BoxCad: patsan	Date 06/06/2013
Material Matière 16 Ga Stainless Steel 304 (1.4mm)	
Color Couleur Outside Unpainted and Inside White RAL9003	Finish Fini Brushed

Qty	Part Number	Rev	Description
1	1412SDSS090803C	0	1412SDSS 10" x 8.75" Cover
1	STK-K-09600-04	0	Pushbutton Accessory Kit (4 Screws Construction)
1	1412SDSS090803B	0	1412SDSS 10" x 8.75" x 3" Body
Parts List			

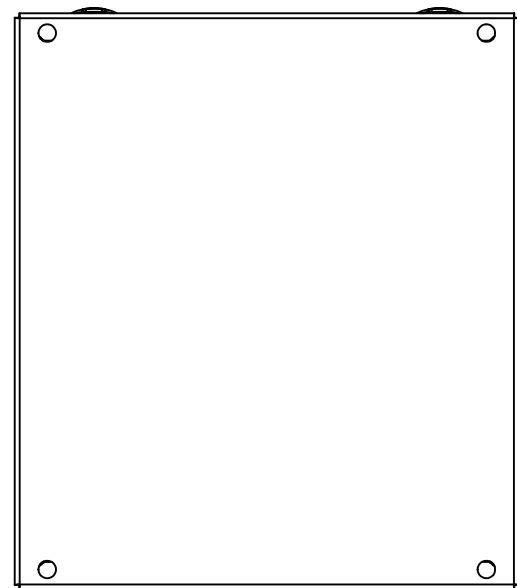
Description 1412SDSS 10" x 8.75" x 3" Assembly		Detail Rev.	
Part Number Numéro Pièce 1412SDSS090803		Rev. 0	2 2

This drawing is confidential and must not be reproduced or used without the consent of EXM

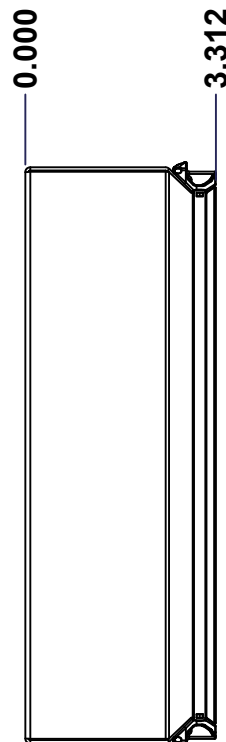
Ce dessin est confidentiel et ne doit pas être reproduit ou utilisé sans le consentement de EXM



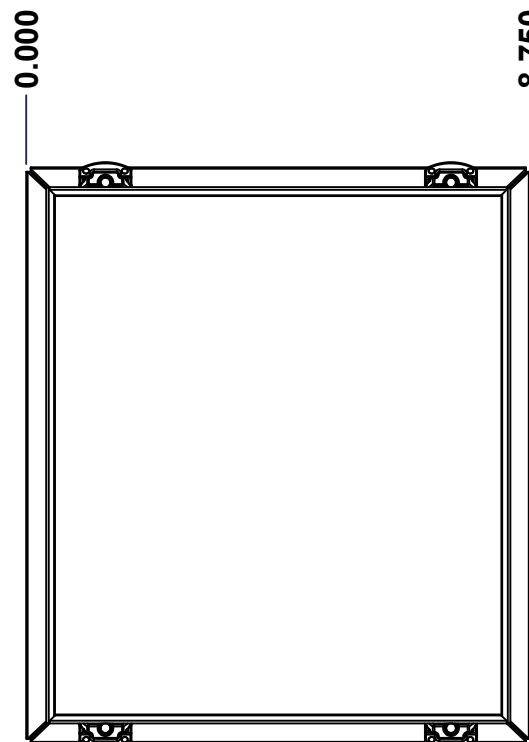
TOP



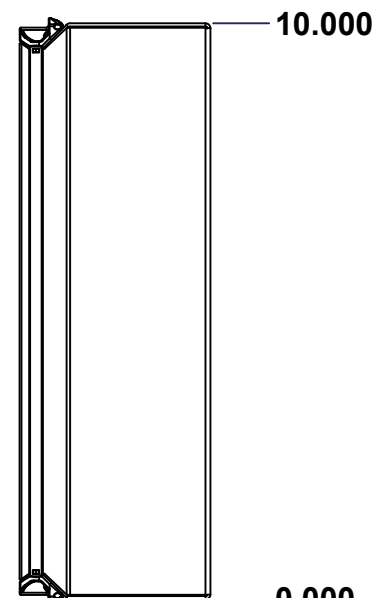
BACK



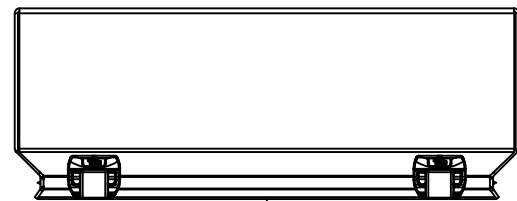
LEFT



FRONT

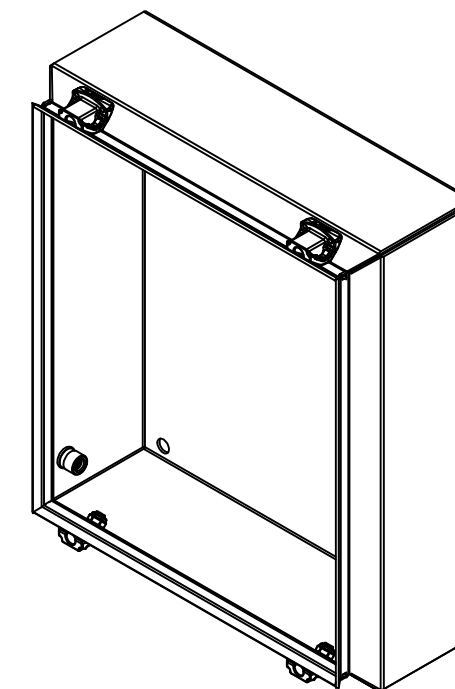


RIGHT



BOTTOM

No.	Revisions	Date	By/Par



Isometric View



Tél: (450) 979-4373
 Fax: (450) 979-4626
www.exmweb.com

Flatness
Aplatissement

Max 3.0mm

Projection



Customer Client	Date
Drawn By Dessiné Par BoxCad: patsan	Date 06/06/2013
Material Matière	16 Ga Stainless Steel 304 (1.4mm)

Color Couleur	Outside Unpainted and Inside White RAL9003	Finish Fini	Brushed
------------------	---	----------------	---------

Description	Detail Rev.
1412SDSS 10" x 8.75" x 3" Body	

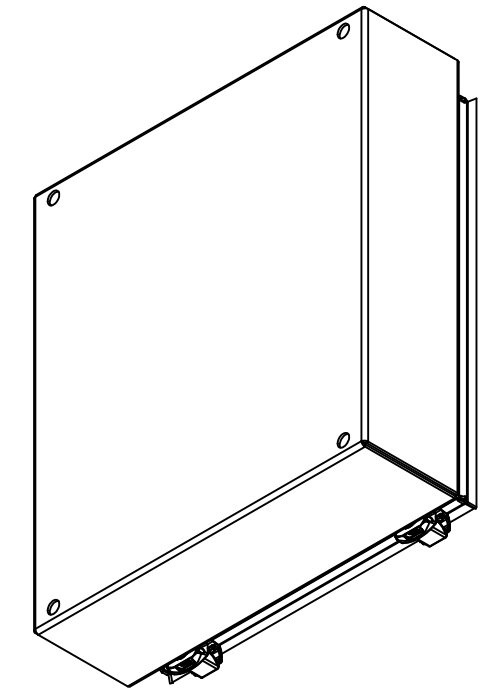
Part Number Numéro Pièce	Rev.	1
1412SDSS090803B	0	7

SEE BILL OF MATERIAL ON LAST PAGE

This drawing is confidential and must not be reproduced or used without the consent of EXM


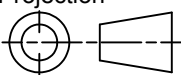
Ce dessin est confidentiel et ne doit pas être reproduit ou utilisé sans le consentement de EXM

No.	Revisions	Date	By/Par



Isometric View

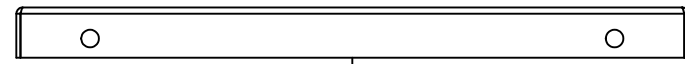


 Tél: (450) 979-4373 Fax: (450) 979-4626 www.exmweb.com	Flatness Aplatissement	Max 3.0mm
	Projection	
Customer Client	Date	
Drawn By Dessiné Par	BoxCad: patsan	Date 06/06/2013
Material Matière	16 Ga Stainless Steel 304 (1.4mm)	
Color Couleur	Outside Unpainted and Inside White RAL9003	Finish Fini Brushed
Description	Detail Rev.	
1412SDSS 10" x 8.75" x 3" Body		
Part Number Numéro Pièce	Rev.	7
1412SDSS090803B	0	7

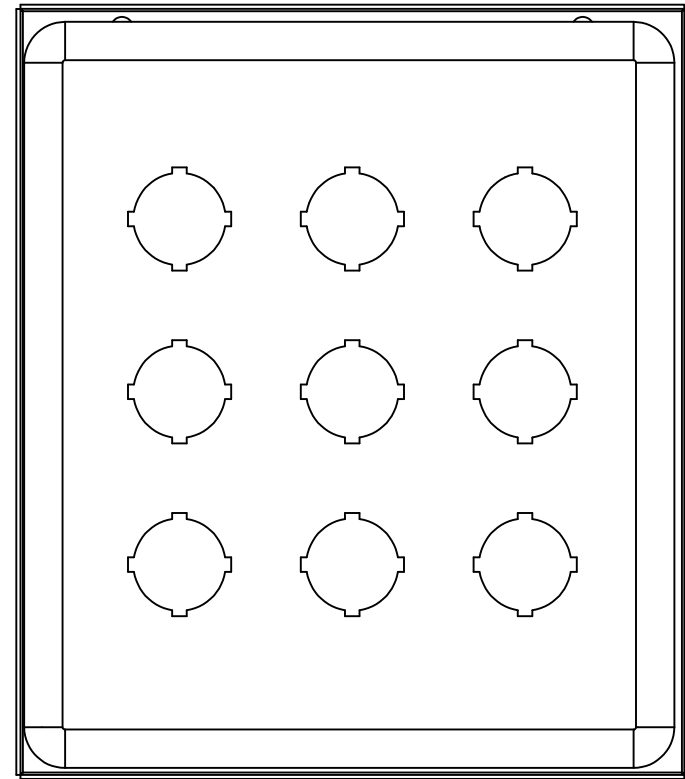
Qty	Part Number	Rev	Description
4	STK-Q-70464	0	5412ESSMSC - Stainless Steel Body Catch Screw Cover
1	STK-P-02401S	0	Powder Paint (White / Smooth)
1	STK-S-00100	0.1.1	3.5" x 2" Silver Milar Flexcon Sticker
1	1412SDSS090803B-P	0	1412SDSS 10" x 8.75" x 3" Body Part
1	STK-Q-08500	4	Stainless Steel Standoff M6 x 10mm
4	STK-Q-08100	1	M5 Nylon Insert Lock Nut
Parts List			

This drawing is confidential and must not be reproduced or used without the consent of EXM

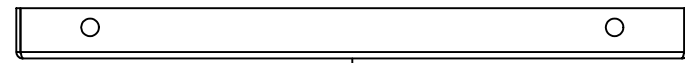
Ce dessin est confidentiel et ne doit pas être reproduit ou utilisé sans le consentement de EXM



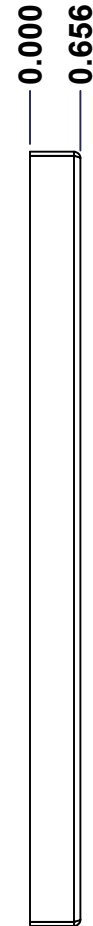
TOP



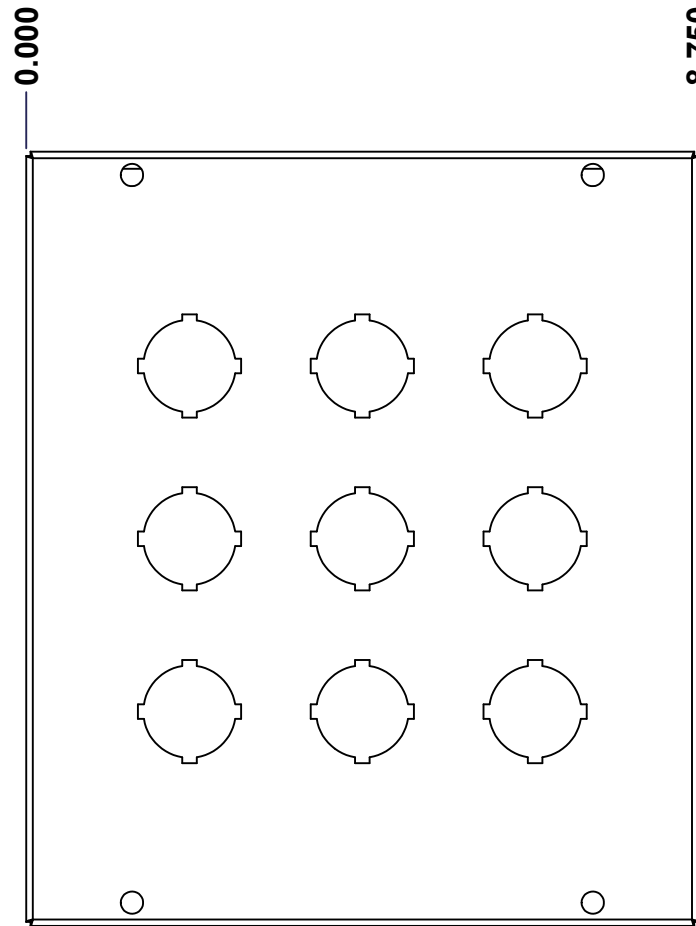
BACK



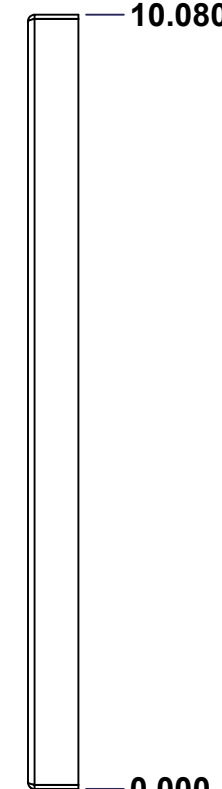
BOTTOM



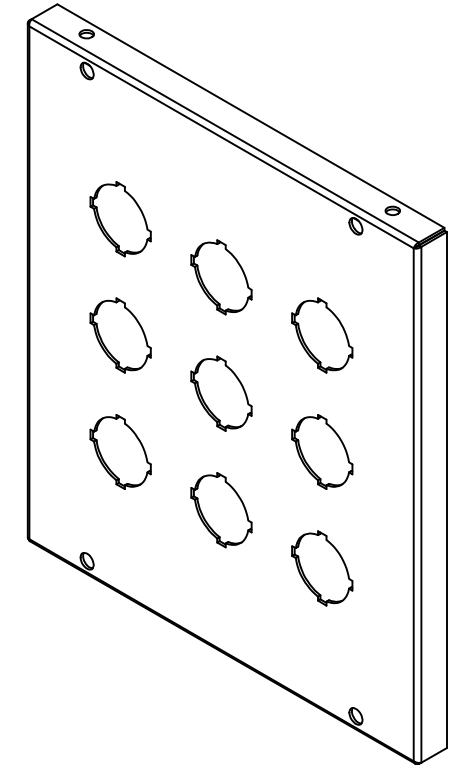
LEFT



FRONT




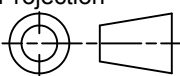
RIGHT



Isometric View



No.	Revisions	Date	By/Par

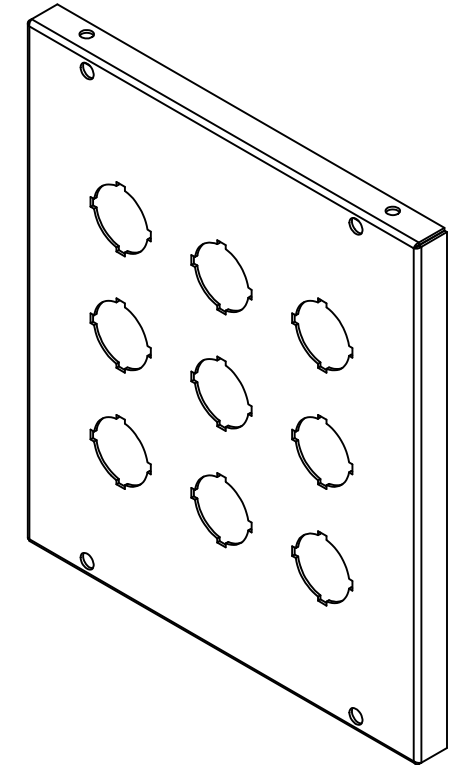
 Tél: (450) 979-4373 Fax: (450) 979-4626 www.exmweb.com		Flatness Aplatissement Max 3.0mm Projection 
Customer Client	Date	
Drawn By Dessiné Par	BoxCad: patsan	Date 06/06/2013
Material Matière	16 Ga Stainless Steel 304 (1.4mm)	
Color Couleur	Outside Unpainted and Inside White RAL9003	Finish Fini Brushed
Description	Detail Rev.	
1412SDSS 10" x 8.75" Cover		
Part Number Numéro Pièce	Rev.	1 3
1412SDSS090803C	0	

SEE BILL OF MATERIAL ON LAST PAGE

This drawing is confidential and must not be reproduced or used without the consent of EXM


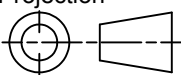
Ce dessin est confidentiel et ne doit pas être reproduit ou utilisé sans le consentement de EXM

No.	Revisions	Date	By/Par



Isometric View



 Tél: (450) 979-4373 Fax: (450) 979-4626 www.exmweb.com		Flatness Aplatissement Max 3.0mm Projection 
Customer Client	Date	
Drawn By Dessiné Par	BoxCad: patsan	Date 06/06/2013
Material Matière	16 Ga Stainless Steel 304 (1.4mm)	
Color Couleur	Outside Unpainted and Inside White RAL9003	Finish Fini Brushed
Description		Detail Rev.
1412SDSS 10" x 8.75" Cover		
Part Number Numéro Pièce	Rev.	3
1412SDSS090803C	0	3

Qty	Part Number	Rev	Description
1	STK-P-02401S	0	Powder Paint (White / Smooth)
1	1412SDSS090803G	0	1412SDSS 10" x 8.75" Gasket
1	1412SDSS090803C-P	0	1412SDSS 10" x 8.75" Cover Part
Parts List			