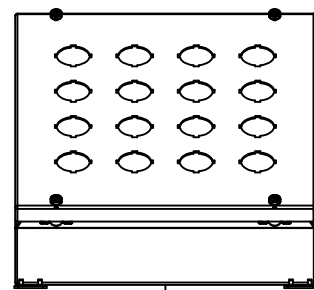
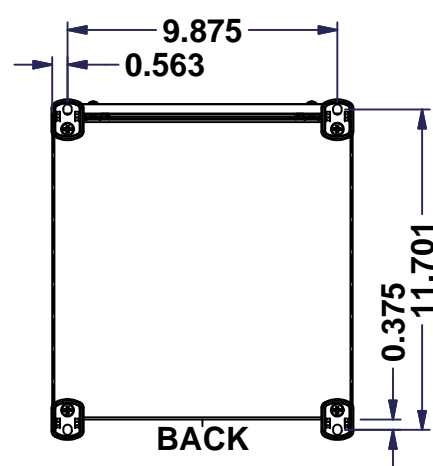


This drawing is confidential and must not be reproduced or used without the consent of EXM

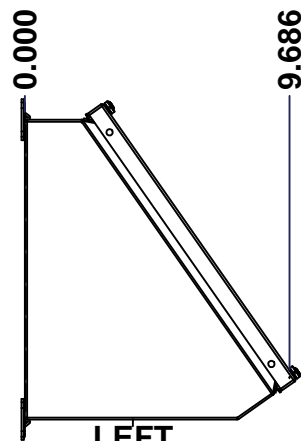
Ce dessin est confidentiel et ne doit pas être reproduit ou utilisé sans le consentement de EXM



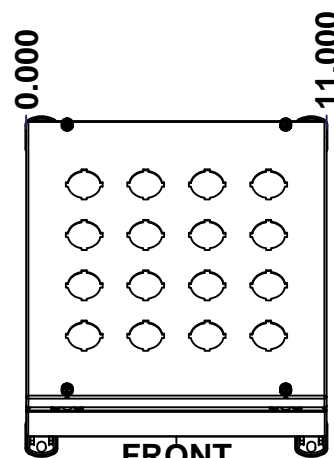
TOP



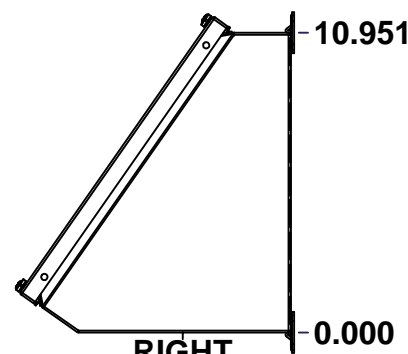
BACK



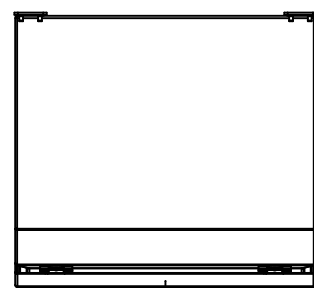
LEFT



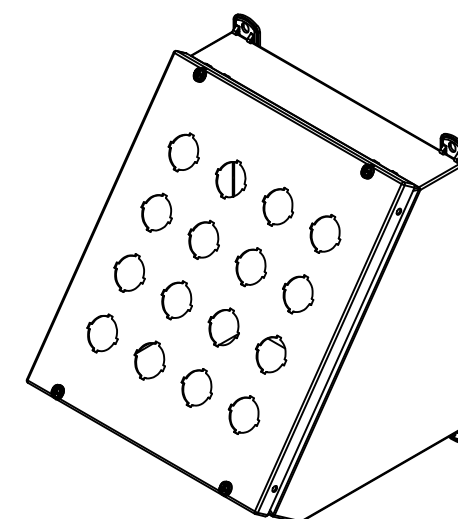
FRONT



RIGHT




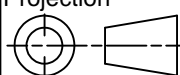
BOTTOM



Isometric View



No.	Revisions	Date	By/Par

 Tél: (450) 979-4373 Fax: (450) 979-4626 www.exmweb.com		Flatness Aplatissement Max 3.0mm Projection 
Customer Client	Date	Date
Drawn By Dessiné Par	BoxCad: BoxCad	Date 15-Oct-19
Material Matière	16 Ga Cold Rolled A1008 CS Type B (1.4mm)	
Color Couleur	Asa-61 Grey	Finish Fini Smooth
Description	1412SF 12.25" x 11" x 9.546" Assembly	
Part Number Numéro Pièce	Rev. 0	1 / 2

SEE BILL OF MATERIAL ON LAST PAGE

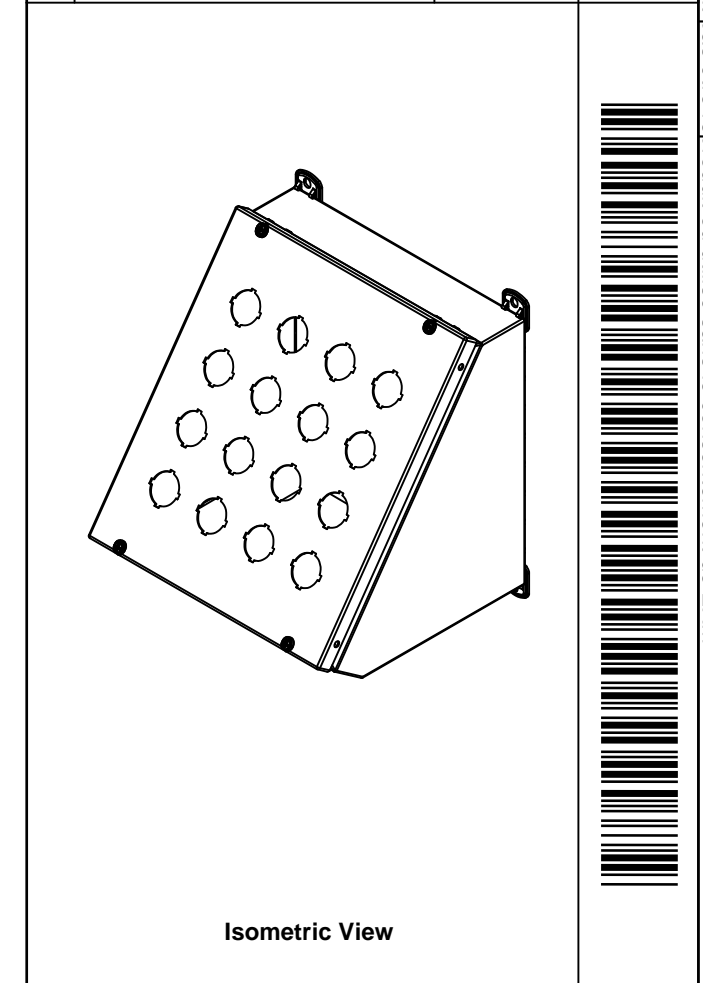
1412SF111009

This drawing is confidential and must not be reproduced or used without the consent of EXM

Ce dessin est confidentiel et ne doit pas être reproduit ou utilisé sans le consentement de EXM

NOTE	
ITEM	DESCRIPTION
1	NEMA 4/12 Enclosure
2	C/W Standard ground standoffs on box and cover
3	W/O Standard door stiffener
4	W/O Inner panel
5	W/O Inner panel mounting standoffs
6	C/W 885 ESCHMF1 Mounting Feet (Installed)

No.	Revisions	Date	By/Par



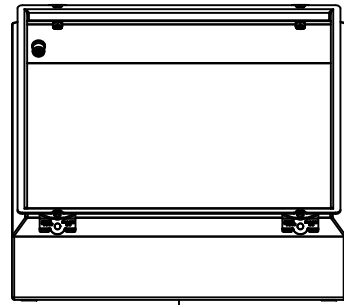
Tél: (450) 979-4373 Fax: (450) 979-4626 www.exmweb.com		Flatness Aplatissement Max 3.0mm Projection
Customer Client	Date	
Drawn By Dessiné Par	BoxCad: BoxCad	Date 15-Oct-19
Material Matière	16 Ga Cold Rolled A1008 CS Type B (1.4mm)	
Color Couleur	Asa-61 Grey	Finish Fini Smooth
Description	Detail Rev.	
1412SF 12.25" x 11" x 9.546" Assembly		Rev. 2
Part Number Numéro Pièce	1412SF111009	0

PACKING		
ITEM	QTY	DESCRIPTION
Cardboard sleeve	2	Top and Bottom
Cardboard strip	2	Between back of enclosure and inner panel
Plastic bag	1	To protect cover surface and inside gasket
Plastic strap - Black	2	To Squeeze the 2 cardboard sleeve together
Packaging label	1	White label with product number

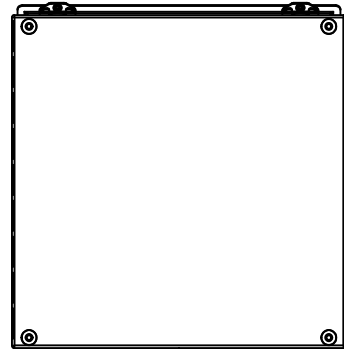
Qty	Part Number	Rev	Description
1	885 ESSCHMFQ	0	5412 ESSCH Mounting Feet Accessory Kit
1	STK-K-02920	3	5412 ESSC Accessory Kit
1	1412SF111009C	0	1412SF 12.25" x 11" Cover
1	1412SF111009B	0	1412SF 12.25" x 11" x 9.546" Body
Parts List			

This drawing is confidential and must not be reproduced or used without the consent of EXM

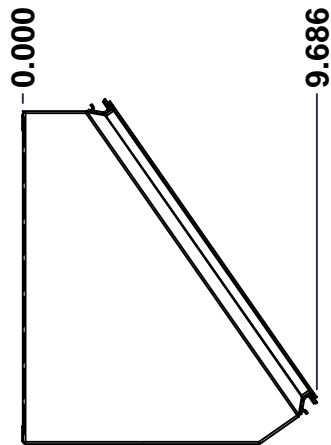
Ce dessin est confidentiel et ne doit pas être reproduit ou utilisé sans le consentement de EXM



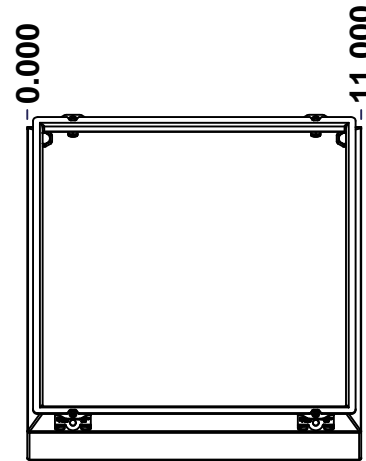
TOP



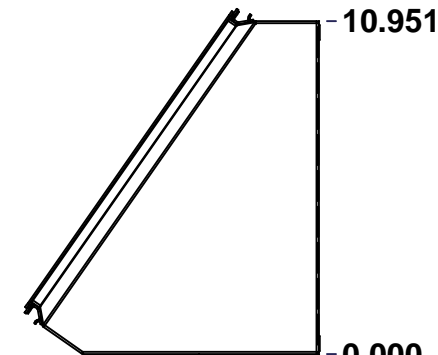
BACK



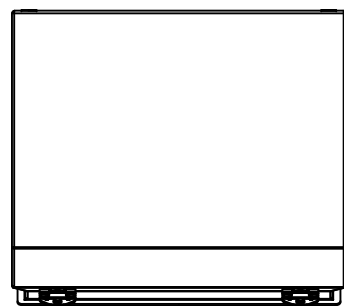
LEFT



FRONT

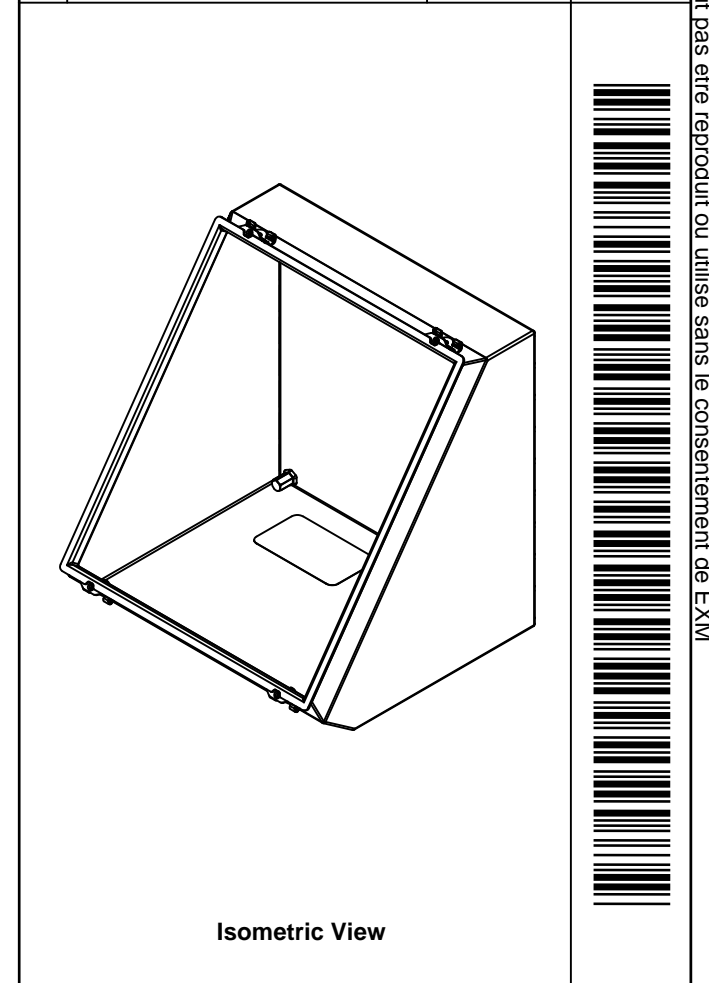


RIGHT




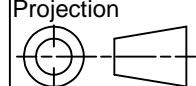
BOTTOM

No.	Revisions	Date	By/Par



Isometric View



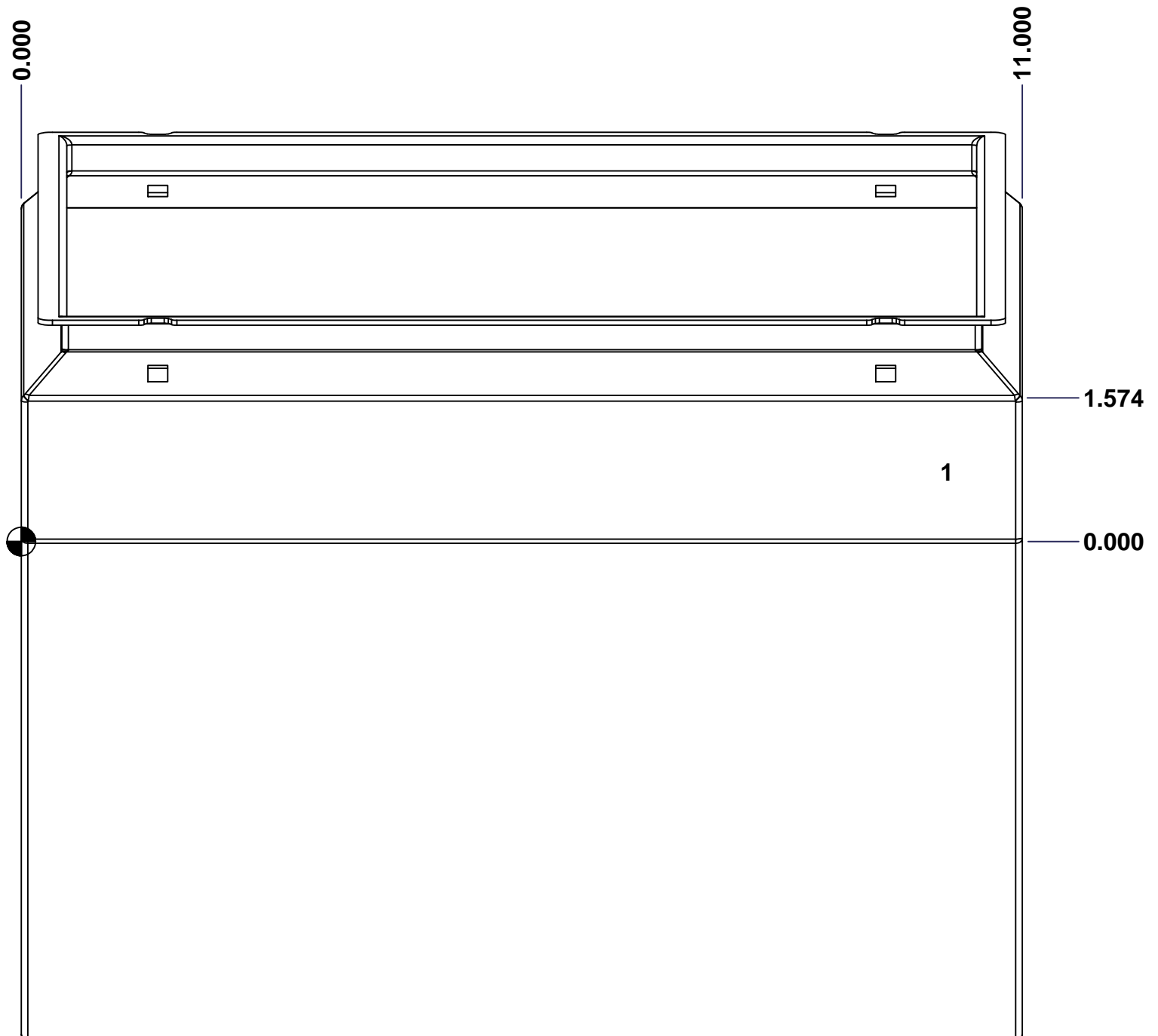
 Tél: (450) 979-4373 Fax: (450) 979-4626 www.exmweb.com		Flatness Aplatissement Max 3.0mm Projection 
Customer Client	Date	
Drawn By Dessiné Par	BoxCad: BoxCad	Date 15-Oct-19
Material Matière	16 Ga Cold Rolled A1008 CS Type B (1.4mm)	
Color Couleur	Asa-61 Grey	Finish Finis Smooth
Description	Detail Rev.	
1412SF 12.25" x 11" x 9.546" Body		
Part Number Numéro Pièce	Rev.	1 / 7
1412SF111009B	0	

SEE BILL OF MATERIAL ON LAST PAGE

This drawing is confidential and must not be reproduced or used without the consent of EXM

Ce dessin est confidentiel et ne doit pas être reproduit ou utilisé sans le consentement de EXM

STANDARD FEATURES ARE NOT LISTED IN THIS HOLE TABLE			
HOLE TABLE - ANGLE VIEW (CUSTOM FEATURE ONLY)			
CUT-OUT	XDIM	YDIM	DESCRIPTION
1	10.125	0.742	STANDOFF M6 x 10mm (Inside)



ANGLE

	Description		Status
	1412SF 12.25" x 11" x 9.546" Body		(NULL)
	Part Number Numéro Pièce		Rev.
	1412SF111009B		0 / 4 7

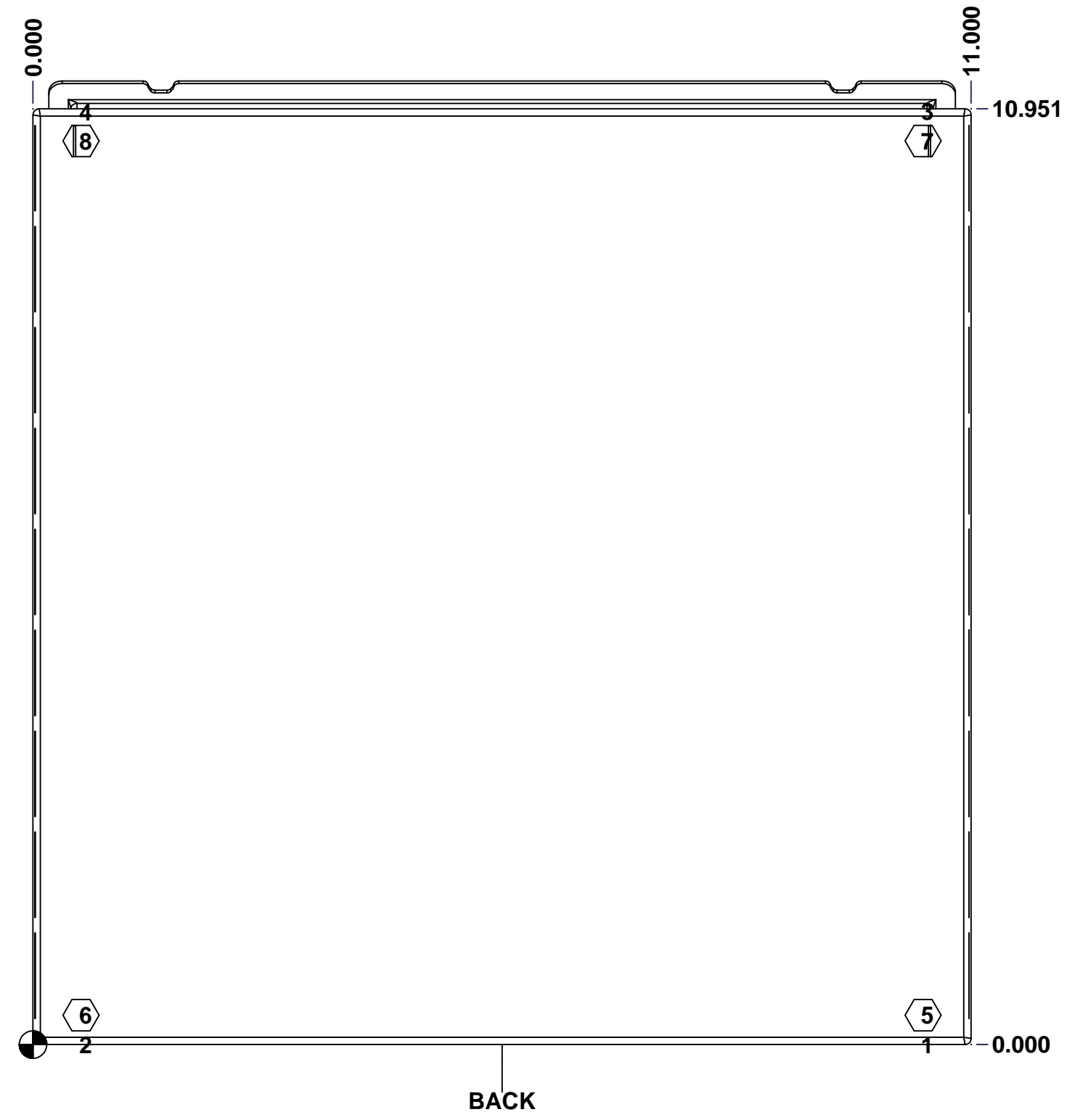
This drawing is confidential and must not be reproduced or used without the consent of EXM

Ce dessin est confidentiel et ne doit pas être reproduit ou utilisé sans le consentement de EXM

STANDARD FEATURES ARE NOT LISTED IN THIS HOLE TABLE

HOLE TABLE - BACK VIEW (CUSTOM FEATURE ONLY)

CUT-OUT	XDIM	YDIM	DESCRIPTION
1	10.437	0.000	FOOT 885 ESCHMF1
2	0.563	0.000	FOOT 885 ESCHMF1
3	10.437	10.919	FOOT 885 ESCHMF1
4	0.563	10.919	FOOT 885 ESCHMF1
5	10.437	0.344	RIVET NUT M6_FH_CE (Inside)
6	0.563	0.344	RIVET NUT M6_FH_CE (Inside)
7	10.437	10.575	RIVET NUT M6_FH_CE (Inside)
8	0.563	10.575	RIVET NUT M6_FH_CE (Inside)

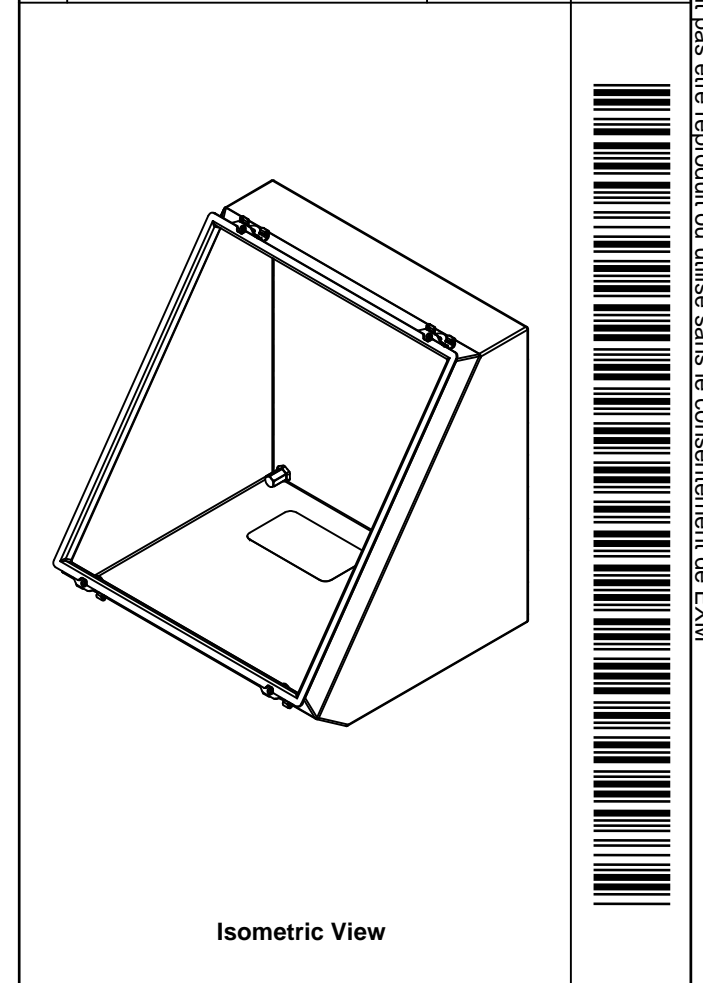



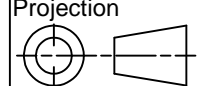
	Description	Status
	1412SF 12.25" x 11" x 9.546" Body	(NULL)
	Part Number Numéro Pièce	Rev.
	1412SF111009B	0 / 6 / 7

This drawing is confidential and must not be reproduced or used without the consent of EXM

Ce dessin est confidentiel et ne doit pas être reproduit ou utilisé sans le consentement de EXM

No.	Revisions	Date	By/Par

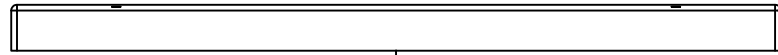


 Tél: (450) 979-4373 Fax: (450) 979-4626 www.exmweb.com		Flatness Aplatissement Max 3.0mm Projection 
Customer Client	Date	
Drawn By Dessiné Par	BoxCad: BoxCad	Date 15-Oct-19
Material Matière	16 Ga Cold Rolled A1008 CS Type B (1.4mm)	
Color Couleur	Asa-61 Grey	Finish Fini Smooth
Description		Detail Rev.
1412SF 12.25" x 11" x 9.546" Body		
Part Number Numéro Pièce	Rev.	7
1412SF111009B	0	7

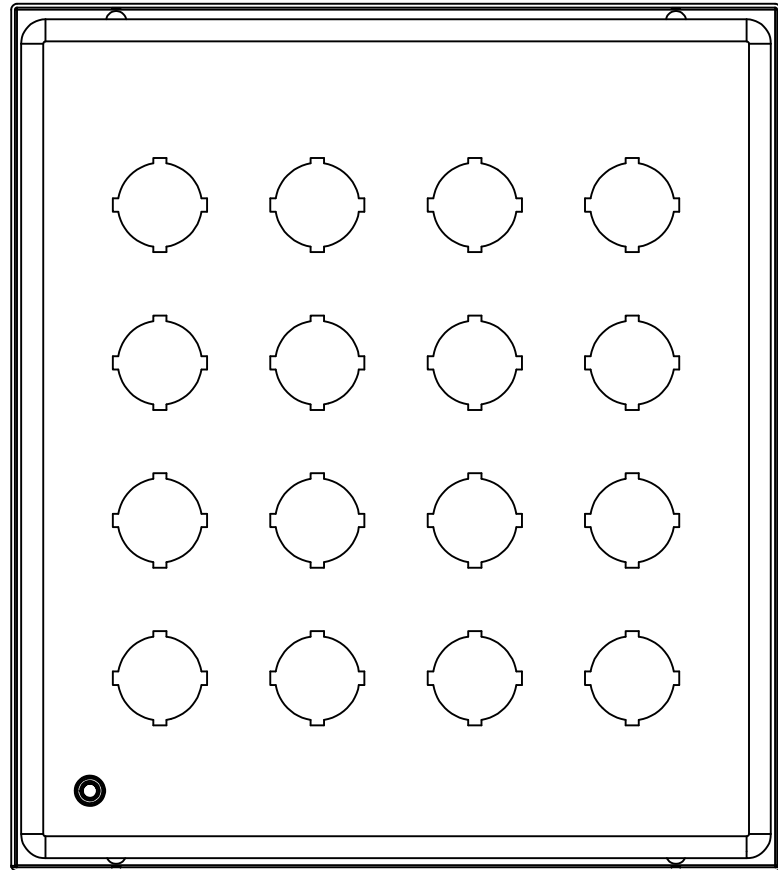
Qty	Part_Number	Rev	Description
4	RIVET_NUT_M6_FH_CE	0	Rivet Nut M6 (Low Profile Close End)
1	STK-Q-08350	5	Standoff M6 x 10mm
1	STK-P-02400S	0	Powder Paint (Asa-61 Grey / Smooth)
1	STK-S-00100	0	3.5" x 2" Silver Milar Flexcon Sticker
1	1412SF111009B-P	0	1412SF 12.25" x 11" x 9.546" Body Part
4	STK-Q-70464	2	5412 ESSC & ESSSC Stainless Steel Body Catch Assembly
4	STK-Q-08100	1	M5 Nylon Insert Lock Nut
Parts List			

This drawing is confidential and must not be reproduced or used without the consent of EXM

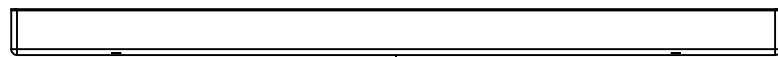
Ce dessin est confidentiel et ne doit pas être reproduit ou utilisé sans le consentement de EXM



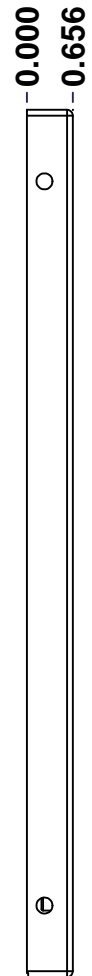
TOP



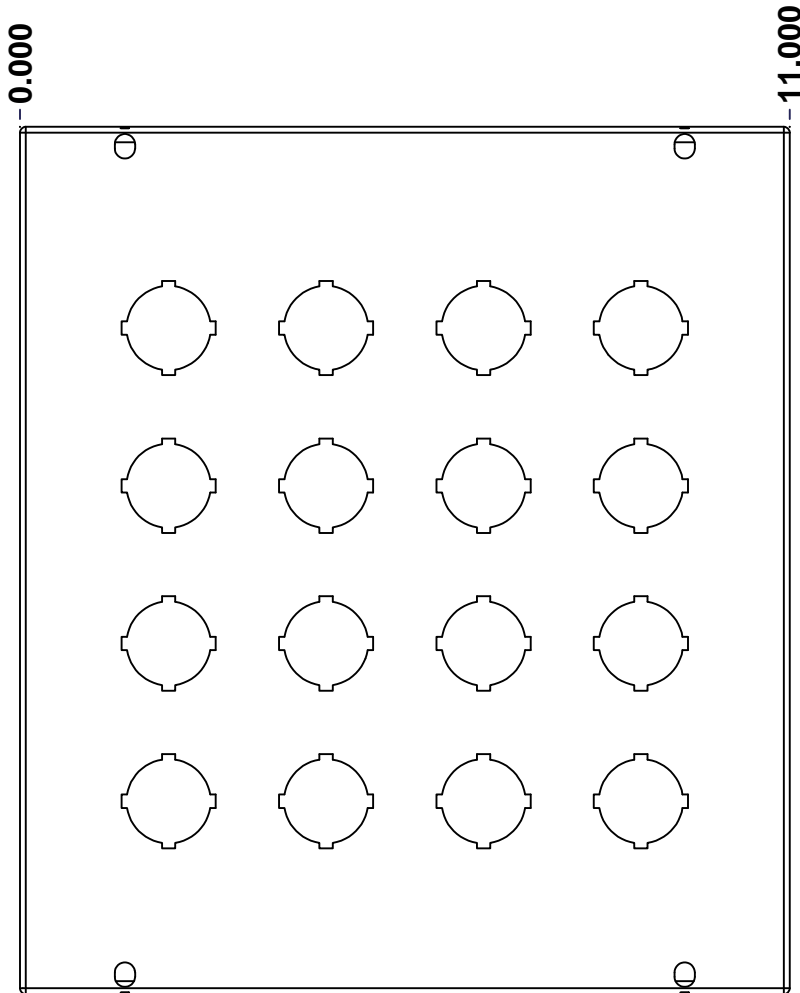
BACK



BOTTOM



LEFT

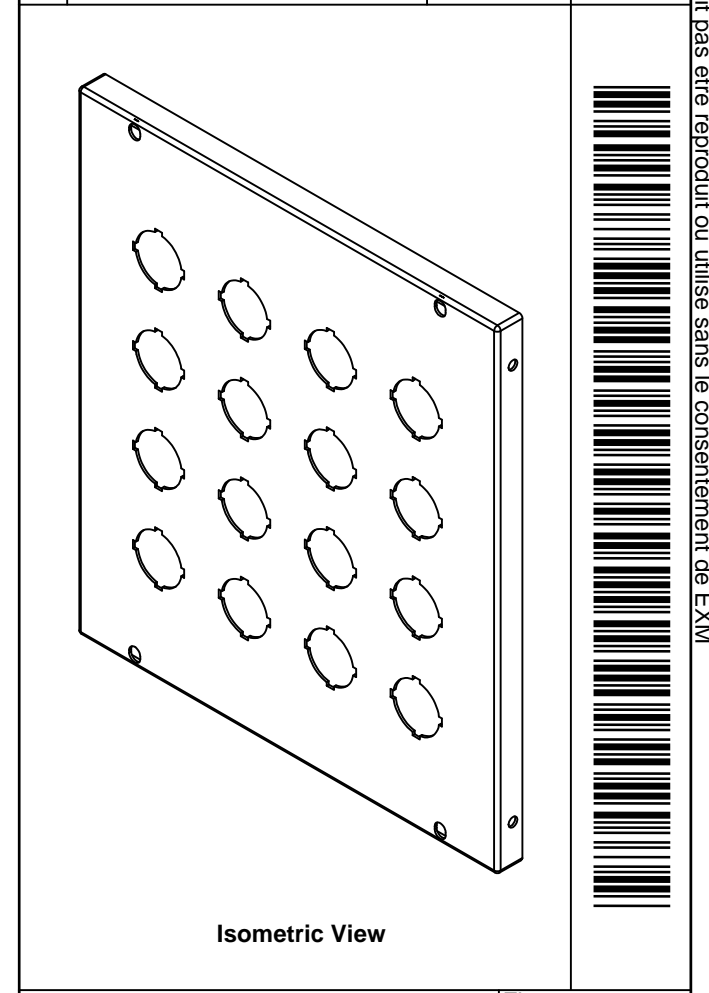


FRONT



RIGHT

No.	Revisions	Date	By/Par



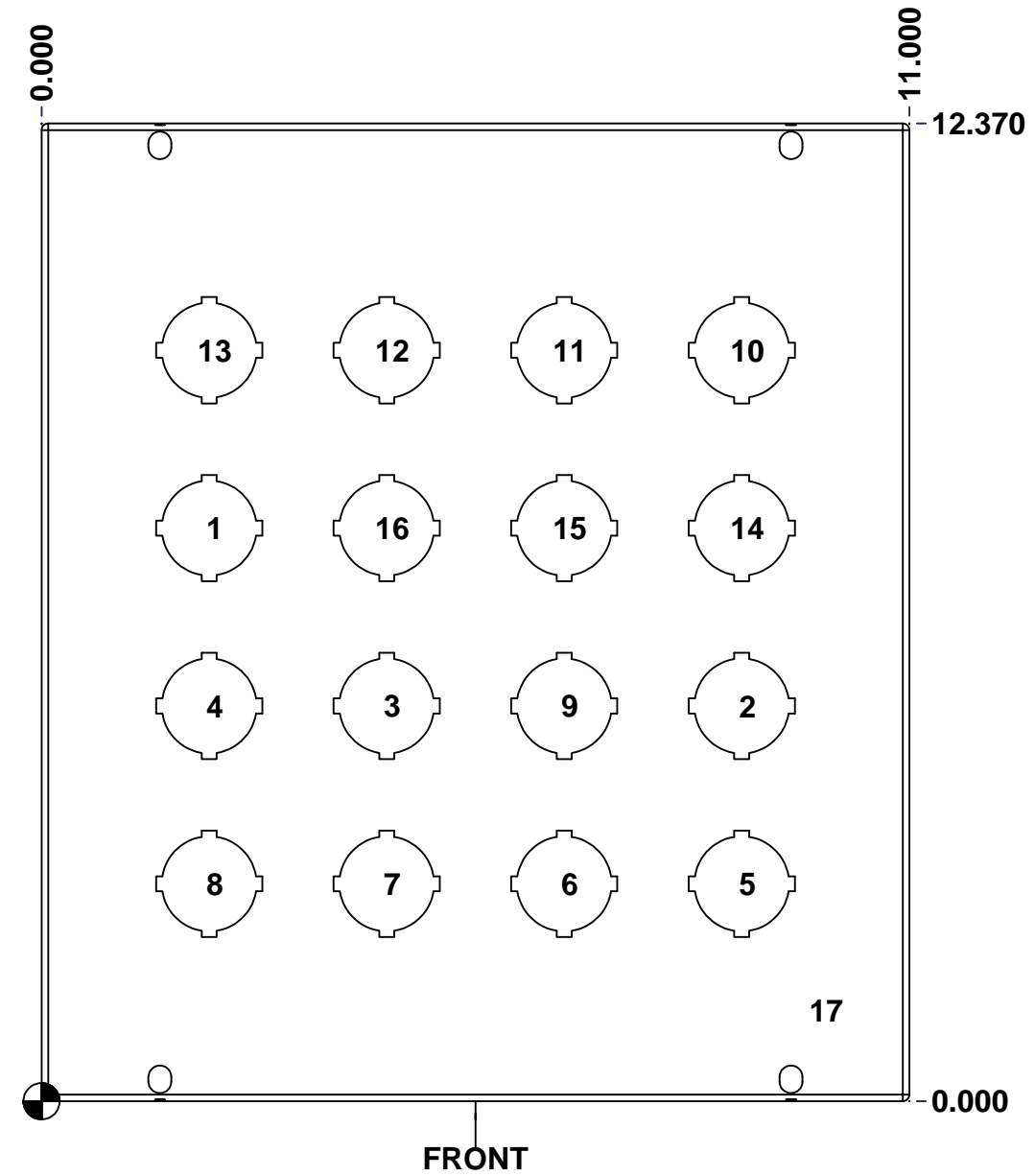
 Tél: (450) 979-4373 Fax: (450) 979-4626 www.exmweb.com		Flatness Aplatissement Max 3.0mm Projection 
Customer Client	Date	
Drawn By Dessiné Par	BoxCad: BoxCad	Date 15-Oct-19
Material Matière	16 Ga Cold Rolled A1008 CS Type B (1.4mm)	
Color Couleur	Asa-61 Grey	Finish Fini Smooth
Description	Detail Rev.	
1412SF 12.25" x 11" Cover		
Part Number Numéro Pièce	Rev.	1
1412SF111009C	0	3

SEE BILL OF MATERIAL ON LAST PAGE

This drawing is confidential and must not be reproduced or used without the consent of EXM

Ce dessin est confidentiel et ne doit pas être reproduit ou utilisé sans le consentement de EXM

STANDARD FEATURES ARE NOT LISTED IN THIS HOLE TABLE			
HOLE TABLE - FRONT VIEW (CUSTOM FEATURE ONLY)			
CUT-OUT	XDIM	YDIM	DESCRIPTION
1	2.125	7.250	30.5 mm Standard Pushbutton
2	8.875	5.000	30.5 mm Standard Pushbutton
3	4.375	5.000	30.5 mm Standard Pushbutton
4	2.125	5.000	30.5 mm Standard Pushbutton
5	8.875	2.750	30.5 mm Standard Pushbutton
6	6.625	2.750	30.5 mm Standard Pushbutton
7	4.375	2.750	30.5 mm Standard Pushbutton
8	2.125	2.750	30.5 mm Standard Pushbutton
9	6.625	5.000	30.5 mm Standard Pushbutton
10	8.875	9.500	30.5 mm Standard Pushbutton
11	6.625	9.500	30.5 mm Standard Pushbutton
12	4.375	9.500	30.5 mm Standard Pushbutton
13	2.125	9.500	30.5 mm Standard Pushbutton
14	8.875	7.250	30.5 mm Standard Pushbutton
15	6.625	7.250	30.5 mm Standard Pushbutton
16	4.375	7.250	30.5 mm Standard Pushbutton
17	9.875	1.145	STANDOFF M6 x 10mm (Inside)

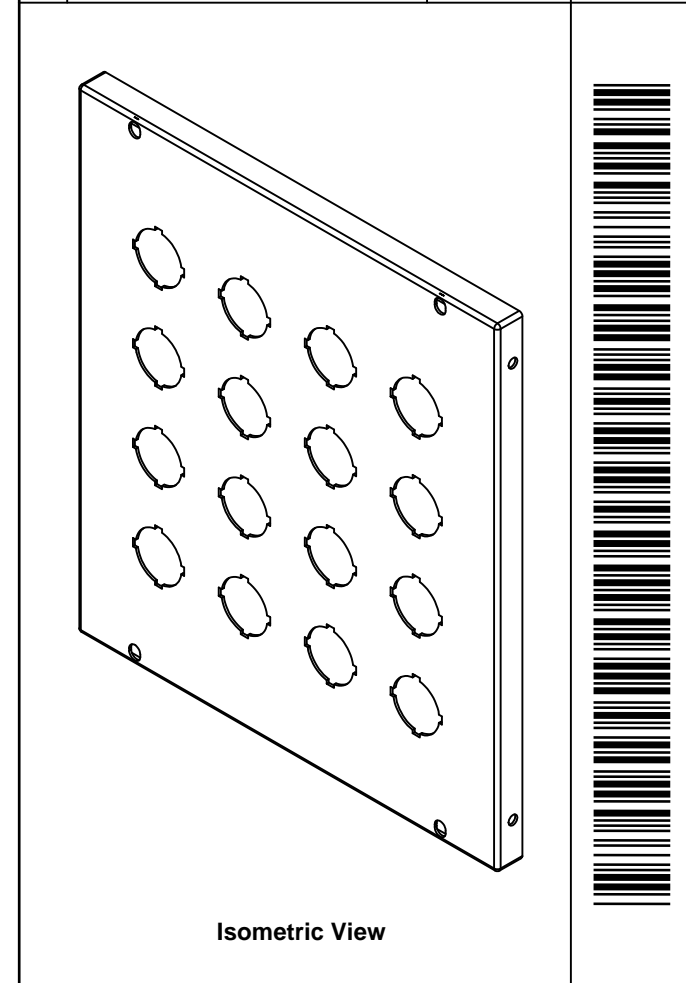


	Description	Status	
	1412SF 12.25" x 11" Cover	(NULL)	
	Part Number Numéro Pièce	Rev.	
	1412SF111009C	0	2 3

This drawing is confidential and must not be reproduced or used without the consent of EXM

Ce dessin est confidentiel et ne doit pas être reproduit ou utilisé sans le consentement de EXM

No.	Revisions	Date	By/Par



Tél: (450) 979-4373 Fax: (450) 979-4626 www.exmweb.com		Flatness Aplatissement	
		Max 3.0mm Projection 	
Customer Client		Date	
Drawn By Dessiné Par BoxCad: BoxCad		Date 15-Oct-19	
Material Matière 16 Ga Cold Rolled A1008 CS Type B (1.4mm)			
Color Couleur Asa-61 Grey		Finish Fini Smooth	
Description 1412SF 12.25" x 11" Cover			Detail Rev.
Part Number Numéro Pièce 1412SF111009C			Rev. 3 0

Qty	Part Name	Rev	Description
1	STK-Q-08350	5	Standoff M6 x 10mm
1	1412SF111009G	0	1412SF 12.25" x 11" Gasket
1	1412SF111009C-P	0	1412SF 12.25" x 11" Cover Part
1	STK-P-02400S	0	Powder Paint (Asa-61 Grey / Smooth)
Parts List			