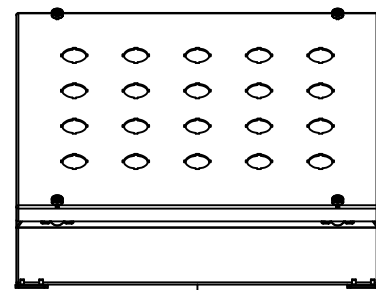
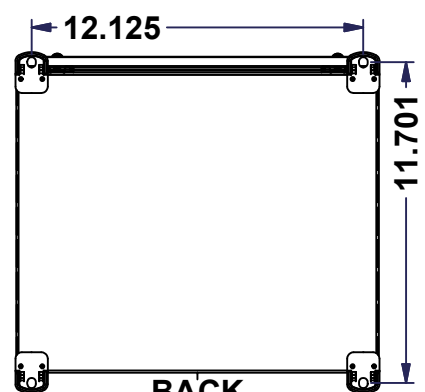


This drawing is confidential and must not be reproduced or used without the consent of EXM

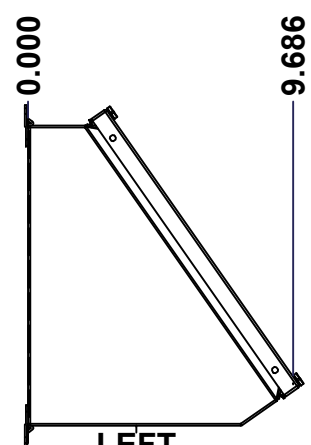
Ce dessin est confidentiel et ne doit pas être reproduit ou utilisé sans le consentement de EXM



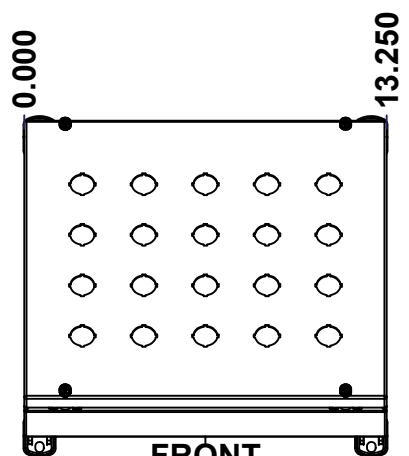
TOP



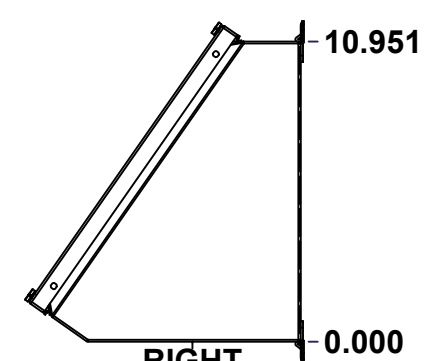
BACK



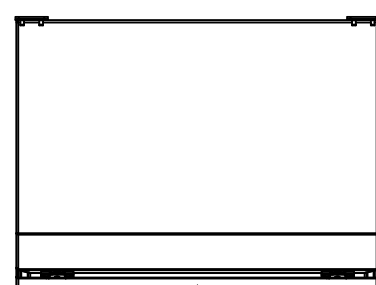
LEFT



FRONT

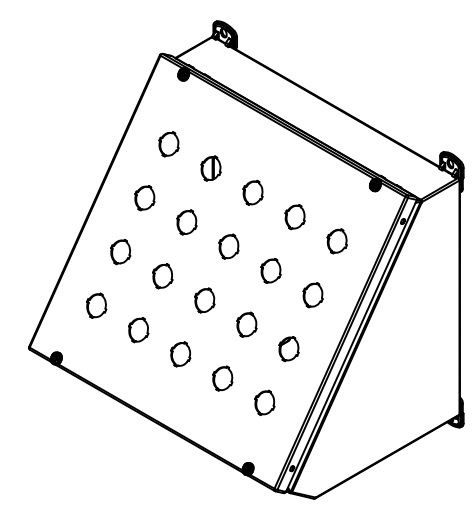


RIGHT

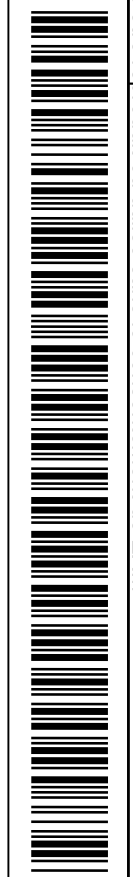


BOTTOM

No.	Revisions	Date	By/Par



Isometric View



Tél: (450) 979-4373
 Fax: (450) 979-4626
www.exmweb.com

Flatness
Aplatissement
Max 3.0mm
Projection

Customer Client	Date
Drawn By / Dessiné Par: BoxCad: HunterZ	Date: 12-Aug-21
Material / Matière: 16 Ga H.R.P. & O. (1.4mm)	
Color / Couleur: Asa-61 Grey	Finish / Fini: Smooth
Description: 1412SF 12.25" x 13.25" x 9.546" Assembly	Detail Rev.
Part Number / Numéro Pièce: 1412SF111309MN	Rev. 0

SEE BILL OF MATERIAL ON LAST PAGE

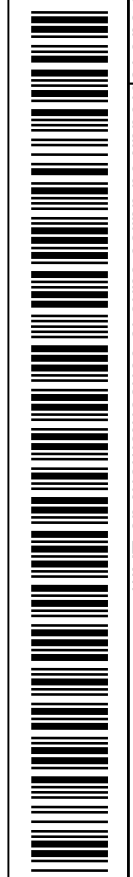
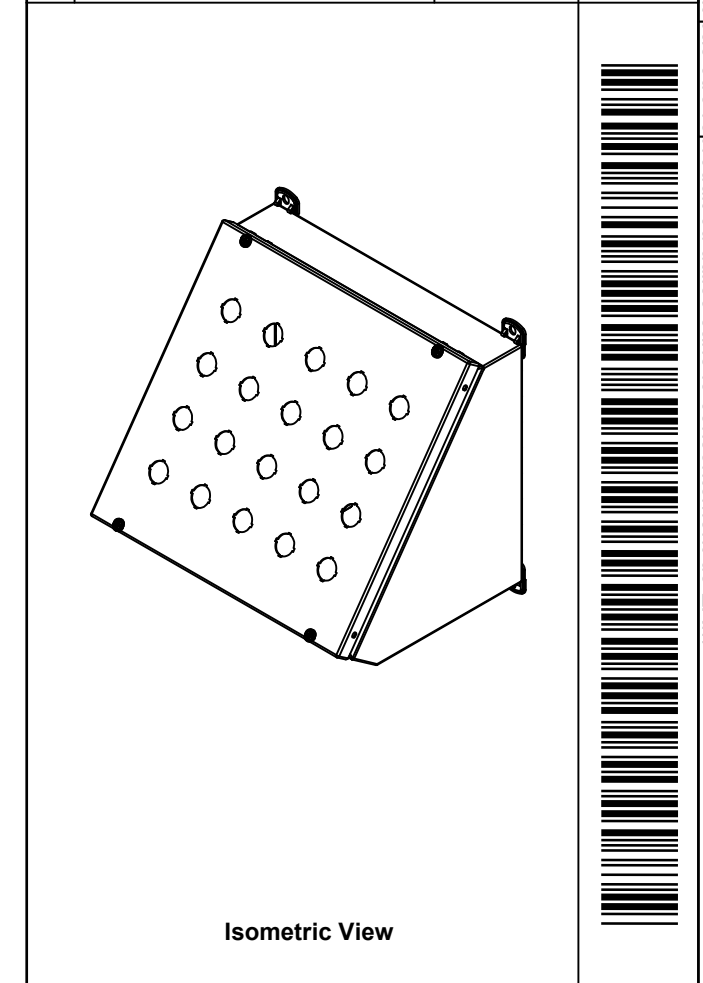
1
2


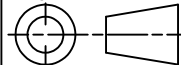
This drawing is confidential and must not be reproduced or used without the consent of EXM

Ce dessin est confidentiel et ne doit pas être reproduit ou utilisé sans le consentement de EXM

NOTE	
ITEM	DESCRIPTION
1	NEMA 4/12 Enclosure
2	C/W Standard ground standoffs on box only
3	W/O Standard door stiffener
4	W/O Inner panel
5	W/O Inner panel mounting standoffs
6	C/W Mounting feet (Welded)

No.	Revisions	Date	By/Par



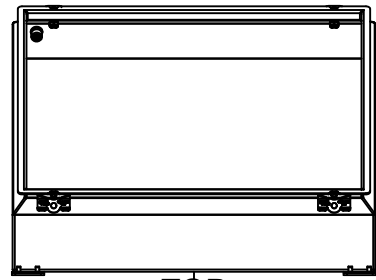
 Tél: (450) 979-4373 Fax: (450) 979-4626 www.exmweb.com		Flatness Aplatissement Max 3.0mm Projection 
Customer Client	Date	
Drawn By Dessiné Par	BoxCad: HunterZ	Date 12-Aug-21
Material Matière	16 Ga H.R.P. & O. (1.4mm)	
Color Couleur	Asa-61 Grey	Finish Fini Smooth
Description	Detail Rev.	
1412SF 12.25" x 13.25" x 9.546" Assembly		
Part Number Numéro Pièce	Rev.	2
1412SF111309MN	0	2

PACKING		
ITEM	QTY	DESCRIPTION
Cardboard sleeve	2	Top and Bottom
Cardboard strip	2	Between back of enclosure and inner panel
Plastic bag	1	To protect cover surface and inside gasket
Plastic strap - Black	2	To Squeeze the 2 cardboard sleeve together
Packaging label	1	White label with product number

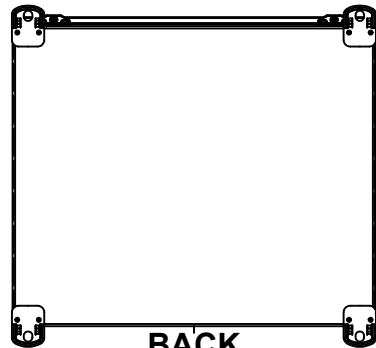
Qty	Part Number	Rev	Description
1	STK-K-02920	3	5412 ESSC Accessory Kit
1	1412SF111309MNC	0	1412SF 12.25" x 13.25" Cover
1	1412SF111309MNB	0	1412SF 12.25" x 13.25" x 9.546" Body
Parts List			

This drawing is confidential and must not be reproduced or used without the consent of EXM

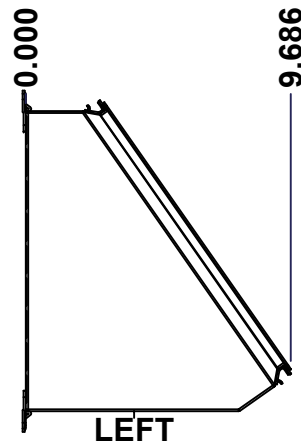
Ce dessin est confidentiel et ne doit pas être reproduit ou utilisé sans le consentement de EXM



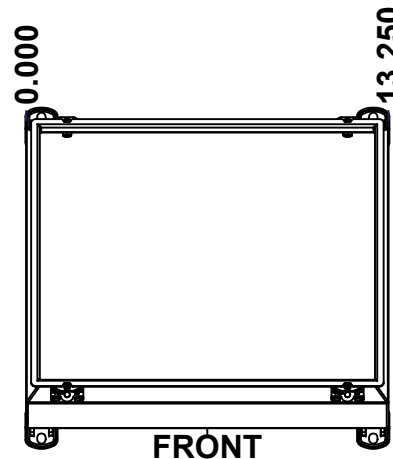
TOP



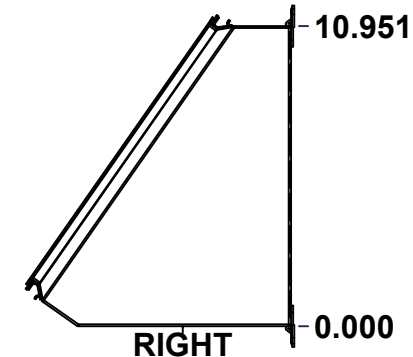
BACK



LEFT

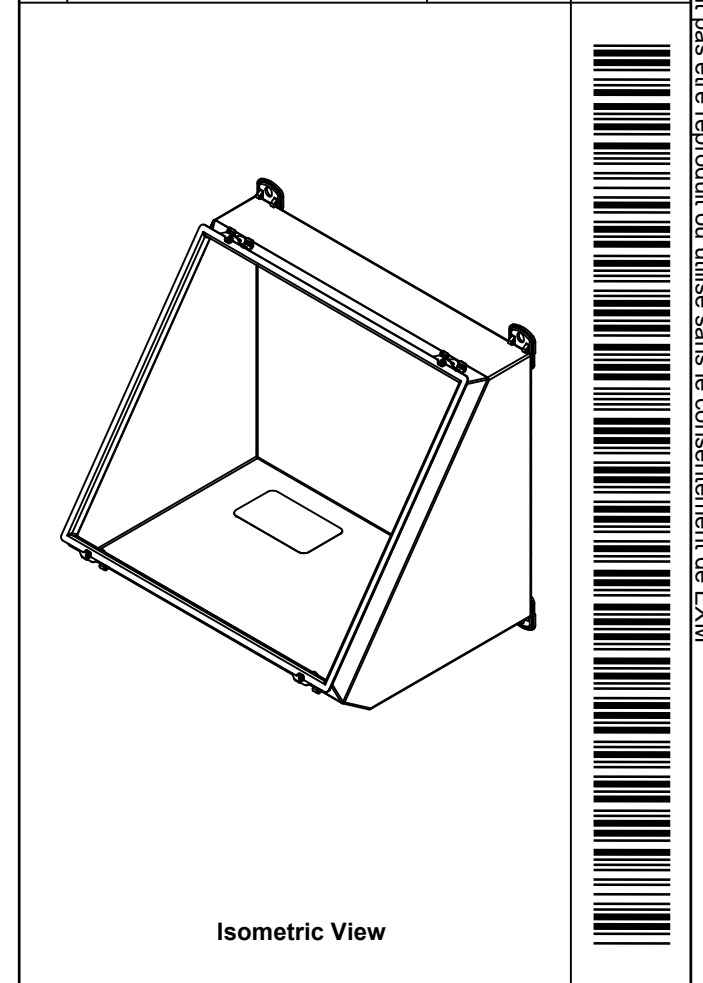


FRONT

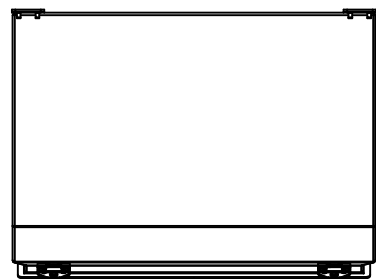


RIGHT


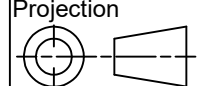
No.	Revisions	Date	By/Par



Isometric View



BOTTOM

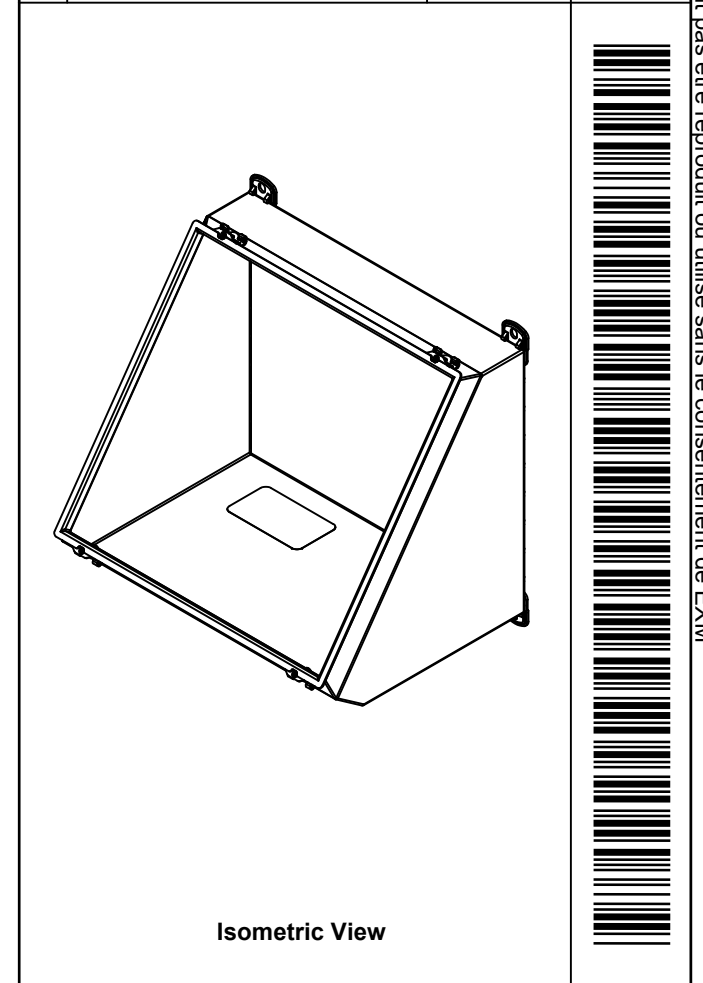
 Tél: (450) 979-4373 Fax: (450) 979-4626 www.exmweb.com		Flatness Aplatissement Max 3.0mm Projection 
Customer Client	Date	
Drawn By Dessiné Par	BoxCad: HunterZ	Date 12-Aug-21
Material Matière	16 Ga H.R.P. & O. (1.4mm)	
Color Couleur	Asa-61 Grey	Finish Fini Smooth
Description	Detail Rev.	
1412SF 12.25" x 13.25" x 9.546" Body		
Part Number Numéro Pièce	Rev.	1 / 7
1412SF111309MNB	0	

SEE BILL OF MATERIAL ON LAST PAGE

This drawing is confidential and must not be reproduced or used without the consent of EXM

Ce dessin est confidentiel et ne doit pas être reproduit ou utilisé sans le consentement de EXM

No.	Revisions	Date	By/Par

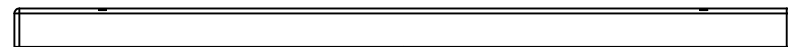


Tél: (450) 979-4373 Fax: (450) 979-4626 www.exmweb.com		Flatness Aplatissement Max 3.0mm Projection
Customer Client	Date	
Drawn By Dessiné Par	BoxCad: HunterZ	Date 12-Aug-21
Material Matière	16 Ga H.R.P. & O. (1.4mm)	
Color Couleur	Asa-61 Grey	Finish Fini Smooth
Description		Detail Rev.
1412SF 12.25" x 13.25" x 9.546" Body		
Part Number Numéro Pièce	Rev.	7
1412SF111309MNB	0	7

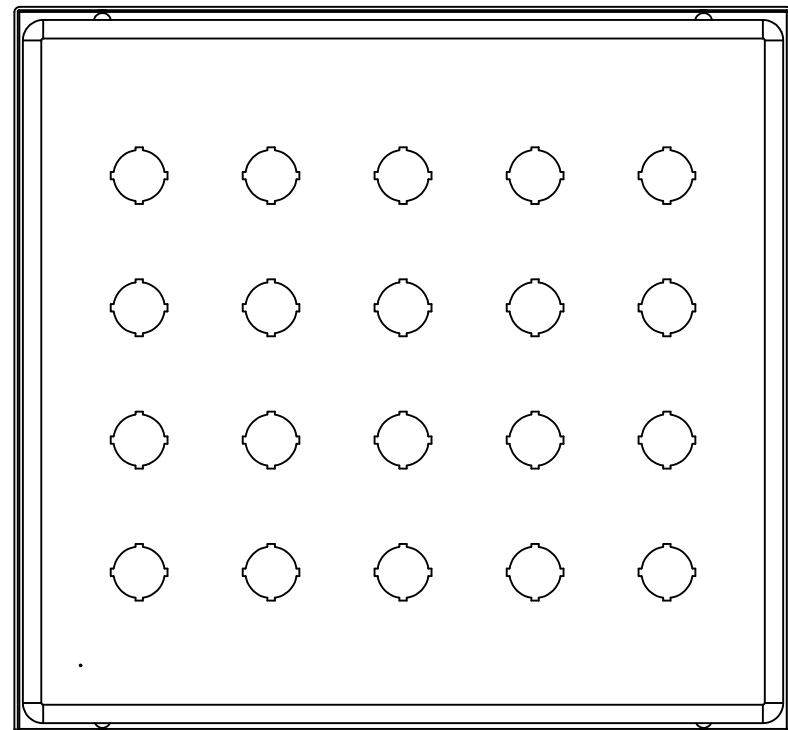
Qty	Part_Number	Rev	Description
1	STK-P-02400S	0	Powder Paint (Asa-61 Grey / Smooth)
1	STK-S-00100	0	3.5" x 2" Silver Milar Flexcon Sticker
4	STK-Q-71305	3	5412 ESMCH Stamped Mounting Foot
1	1412SF111309MNB-P	0	1412SF 12.25" x 13.25" x 9.546" Body Part
1	STK-Q-08350	5	Standoff M6 x 10mm
4	STK-Q-70464	2	5412 ESSC & ESSSC Stainless Steel Body Catch Assembly
4	STK-Q-08100	1	M5 Nylon Insert Lock Nut
Parts List			

This drawing is confidential and must not be reproduced or used without the consent of EXM

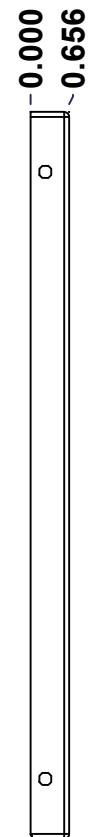
Ce dessin est confidentiel et ne doit pas être reproduit ou utilisé sans le consentement de EXM



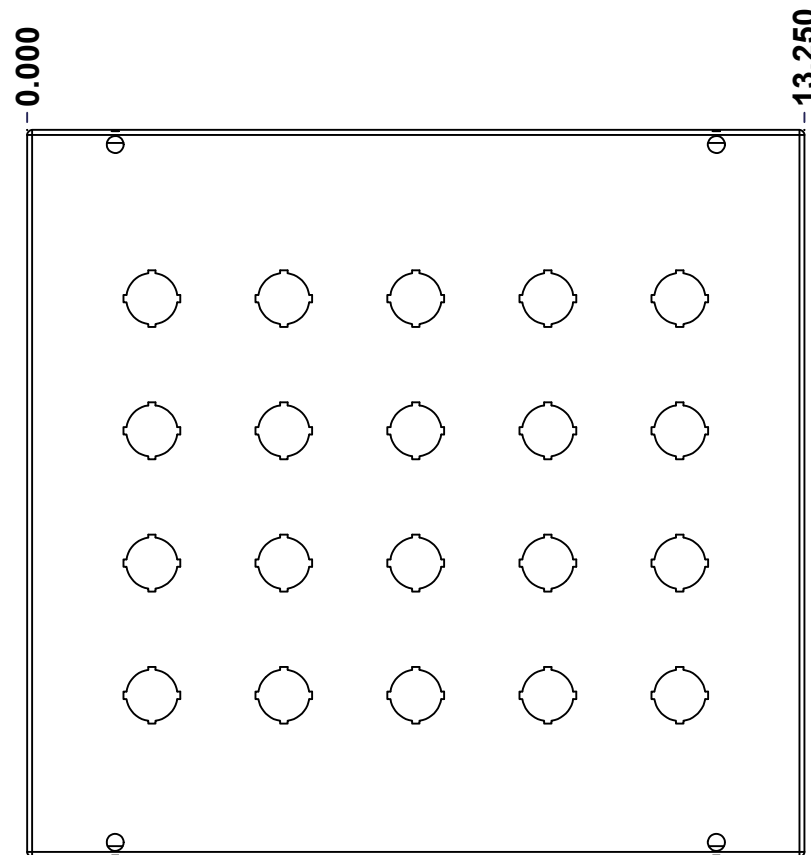
TOP



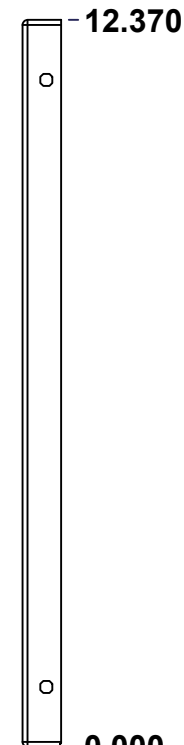
BACK



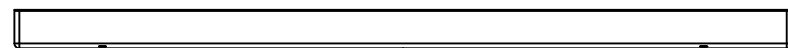
LEFT



FRONT

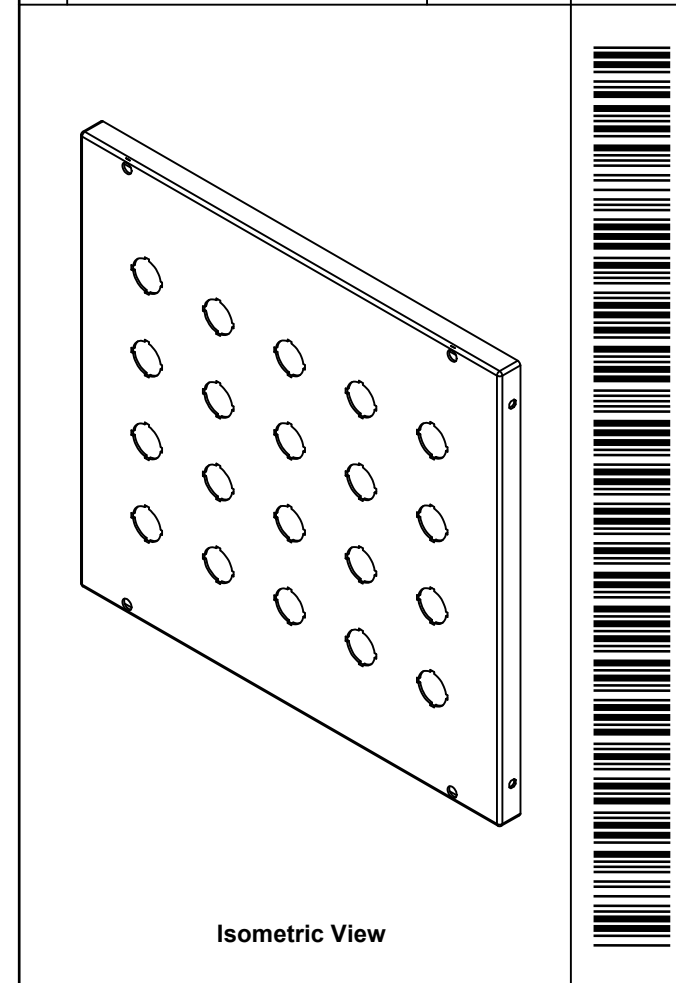


RIGHT



BOTTOM

No.	Revisions	Date	By/Par



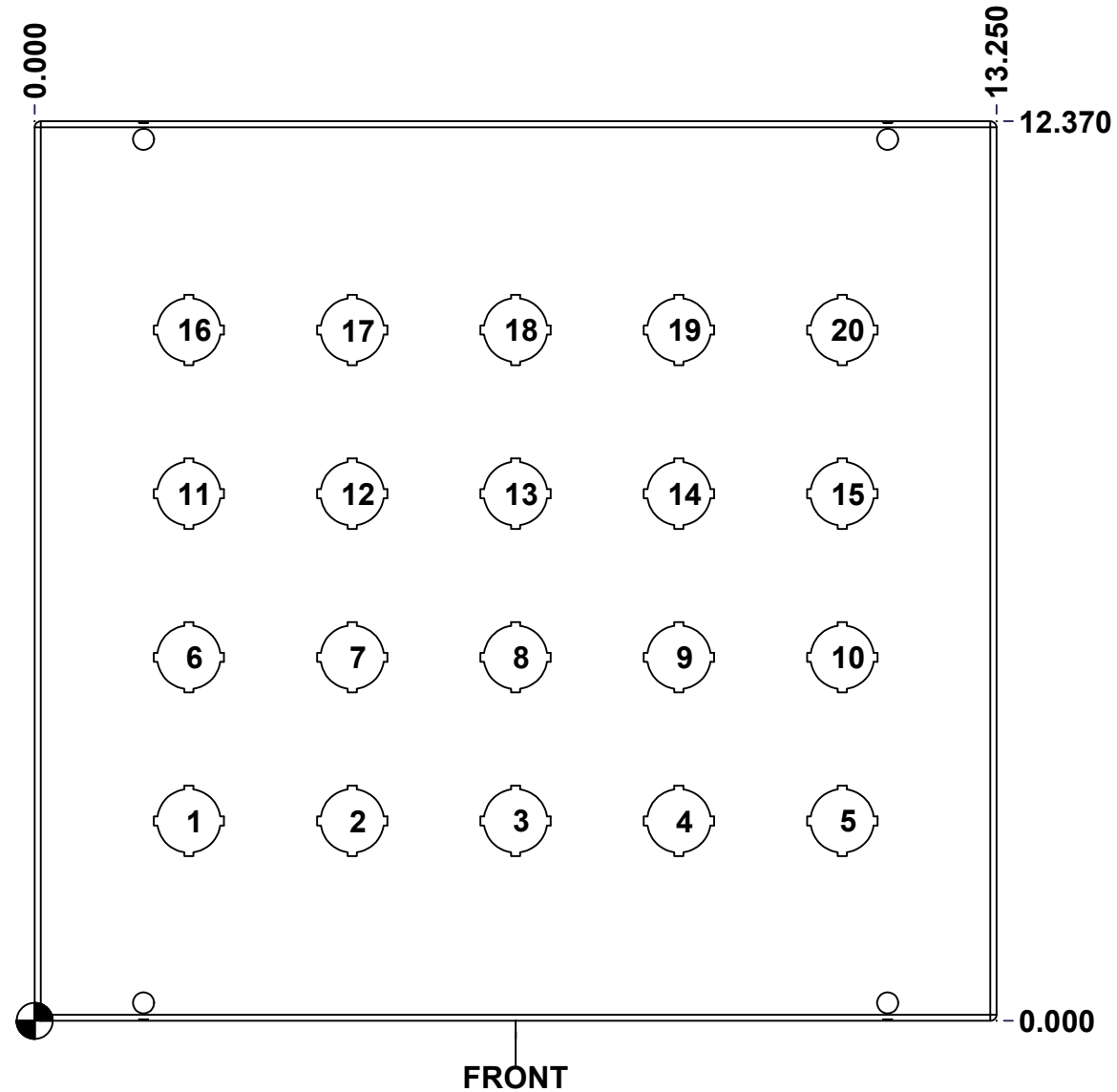
 Tél: (450) 979-4373 Fax: (450) 979-4626 www.exmweb.com		Flatness Aplatissement Max 3.0mm Projection 
Customer Client	Date	
Drawn By / Dessiné Par: BoxCad: HunterZ	Date: 12-Aug-21	
Material / Matière: 16 Ga H.R.P. & O. (1.4mm)		
Color / Couleur: Asa-61 Grey	Finish / Fini: Smooth	
Description: 1412SF 12.25" x 13.25" Cover		Detail Rev.
Part Number / Numéro Pièce: 1412SF111309MNC	Rev. 0	1 / 3

SEE BILL OF MATERIAL ON LAST PAGE

This drawing is confidential and must not be reproduced or used without the consent of EXM

Ce dessin est confidentiel et ne doit pas être reproduit ou utilisé sans le consentement de EXM

STANDARD FEATURES ARE NOT LISTED IN THIS HOLE TABLE			
HOLE TABLE - FRONT VIEW (CUSTOM FEATURE ONLY)			
CUT-OUT	XDIM	YDIM	DESCRIPTION
1	2.125	2.750	22.5 mm Miniature Pushbutton
2	4.375	2.750	22.5 mm Miniature Pushbutton
3	6.625	2.750	22.5 mm Miniature Pushbutton
4	8.875	2.750	22.5 mm Miniature Pushbutton
5	11.125	2.750	22.5 mm Miniature Pushbutton
6	2.125	5.000	22.5 mm Miniature Pushbutton
7	4.375	5.000	22.5 mm Miniature Pushbutton
8	6.625	5.000	22.5 mm Miniature Pushbutton
9	8.875	5.000	22.5 mm Miniature Pushbutton
10	11.125	5.000	22.5 mm Miniature Pushbutton
11	2.125	7.250	22.5 mm Miniature Pushbutton
12	4.375	7.250	22.5 mm Miniature Pushbutton
13	6.625	7.250	22.5 mm Miniature Pushbutton
14	8.875	7.250	22.5 mm Miniature Pushbutton
15	11.125	7.250	22.5 mm Miniature Pushbutton
16	2.125	9.500	22.5 mm Miniature Pushbutton
17	4.375	9.500	22.5 mm Miniature Pushbutton
18	6.625	9.500	22.5 mm Miniature Pushbutton
19	8.875	9.500	22.5 mm Miniature Pushbutton
20	11.125	9.500	22.5 mm Miniature Pushbutton

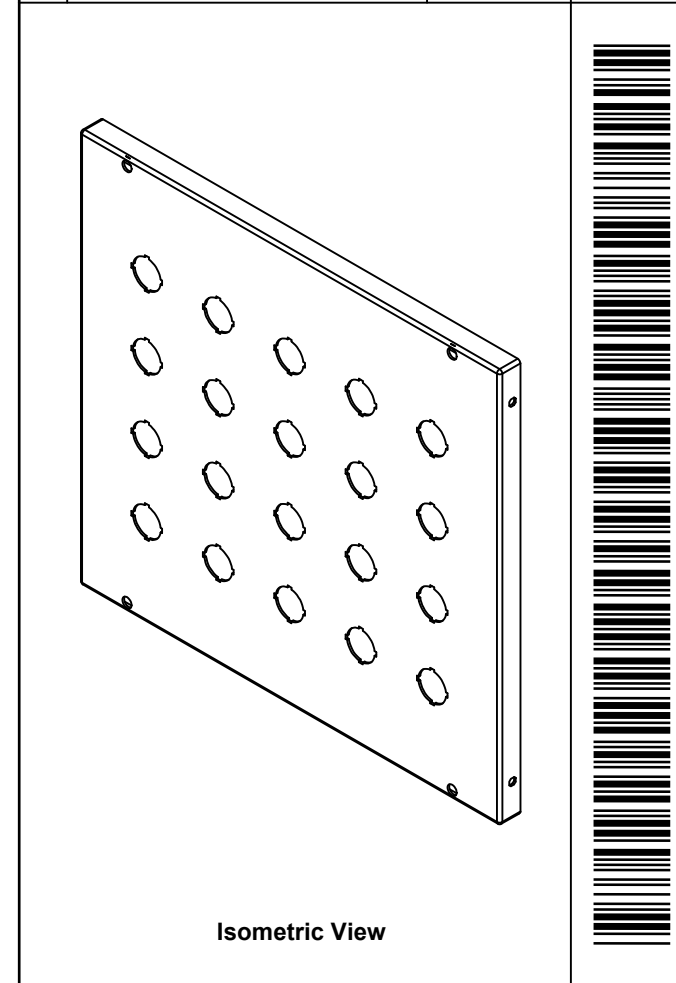



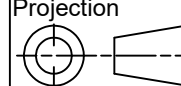
	Description	Status	
	1412SF 12.25" x 13.25" Cover	(NULL)	
	Part Number Numéro Pièce	Rev.	
	1412SF111309MNC	0	2 3

This drawing is confidential and must not be reproduced or used without the consent of EXM

Ce dessin est confidentiel et ne doit pas être reproduit ou utilisé sans le consentement de EXM

No.	Revisions	Date	By/Par



 Tél: (450) 979-4373 Fax: (450) 979-4626 www.exmweb.com		Flatness Aplatissement Max 3.0mm Projection 
Customer Client	Date	
Drawn By Dessiné Par	BoxCad: HunterZ	Date 12-Aug-21
Material Matière	16 Ga H.R.P. & O. (1.4mm)	
Color Couleur	Asa-61 Grey	Finish Fini Smooth
Description	Detail Rev.	
	1412SF 12.25" x 13.25" Cover	
Part Number Numéro Pièce	Rev.	3
1412SF111309MNC	0	3

Qty	Part Name	Rev	Description
1	1412SF111309MNG	0	1412SF 12.25" x 13.25" Gasket
1	1412SF111309MNC-P	0	1412SF 12.25" x 13.25" Cover Part
1	STK-P-02400S	0	Powder Paint (Asa-61 Grey / Smooth)
Parts List			