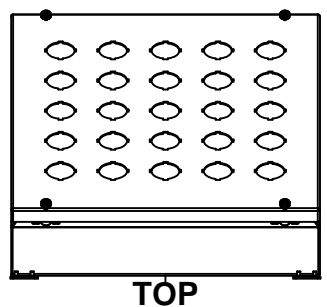
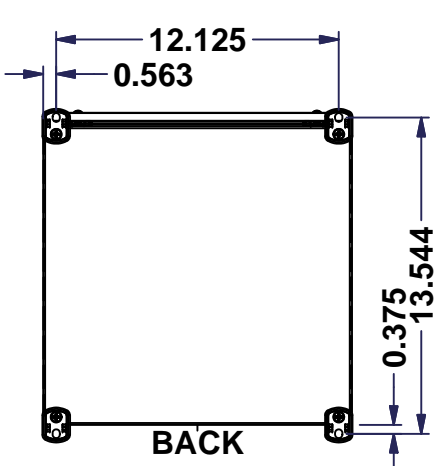


This drawing is confidential and must not be reproduced or used without the consent of EXM

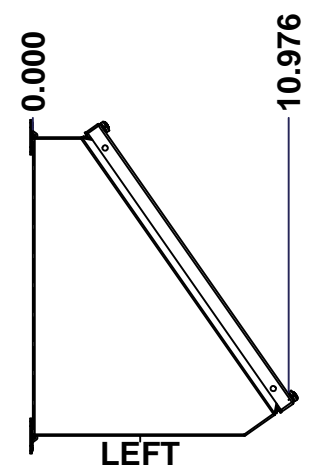
Ce dessin est confidentiel et ne doit pas être reproduit ou utilisé sans le consentement de EXM



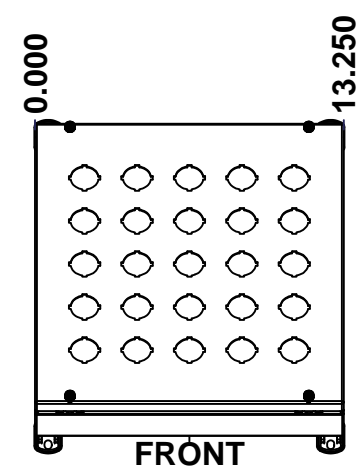
TOP



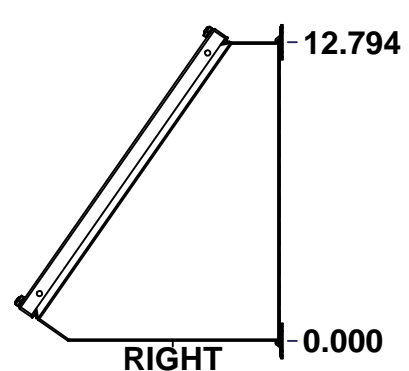
BACK



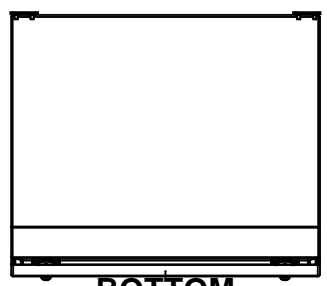
LEFT



FRONT

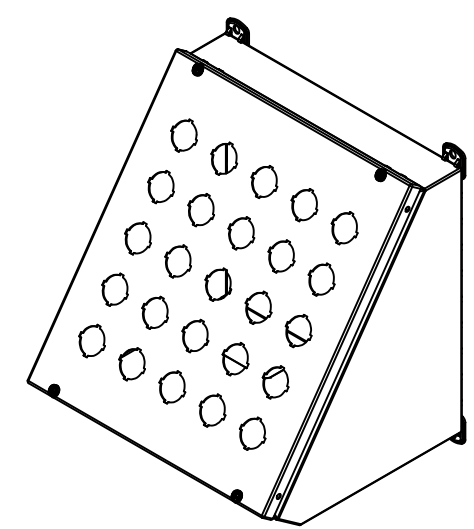


RIGHT

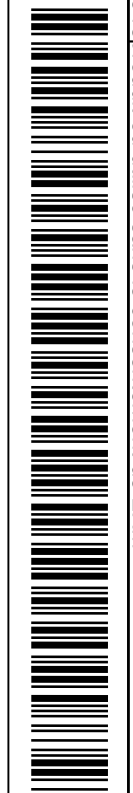



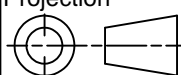
BOTTOM

No.	Revisions	Date	By/Par



Isometric View



 Tél: (450) 979-4373 Fax: (450) 979-4626 <a href="http://www.exmweb.com">www.exmweb.com</a>		Flatness Aplatissement Max 3.0mm Projection 
Customer Client	Date	Date
Drawn By Dessiné Par	BoxCad: BoxCad	Date 15-Oct-19
Material Matière	16 Ga Cold Rolled A1008 CS Type B (1.4mm)	
Color Couleur	Asa-61 Grey	Finish Fini Smooth
Description	1412SF 14.5" x 13.25" x 10.837" Assembly	
Part Number Numéro Pièce	Rev. 0	1 2

SEE BILL OF MATERIAL ON LAST PAGE

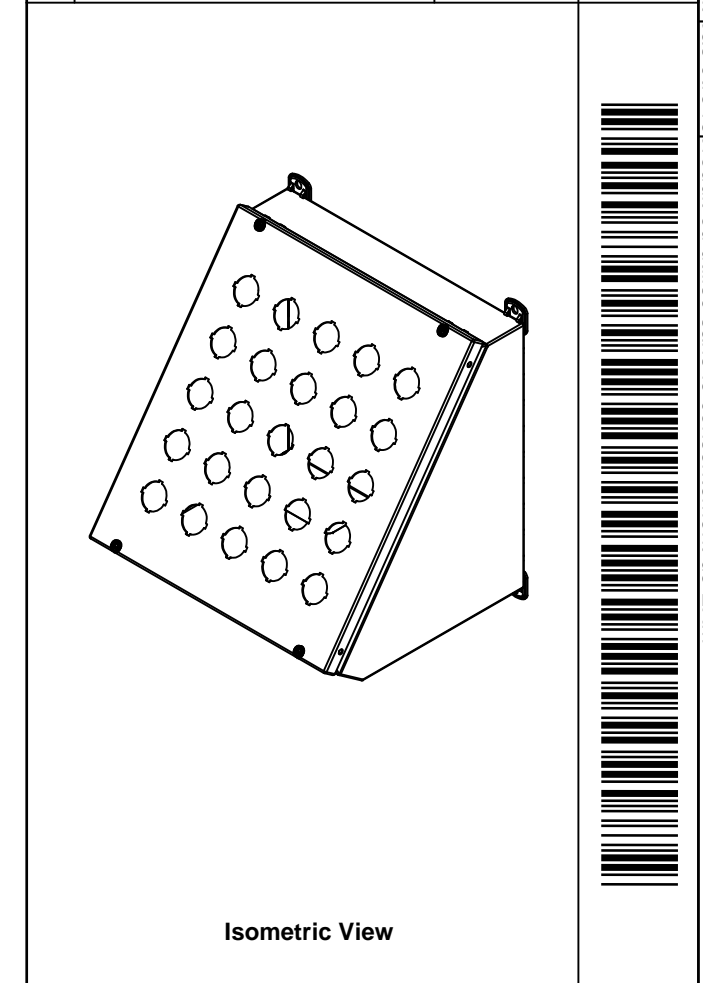
**1412SF141310**


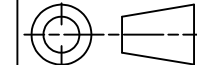
This drawing is confidential and must not be reproduced or used without the consent of EXM

Ce dessin est confidentiel et ne doit pas être reproduit ou utilisé sans le consentement de EXM

NOTE	
ITEM	DESCRIPTION
1	NEMA 4/12 Enclosure
2	C/W Standard ground standoffs on box and cover
3	W/O Standard door stiffener
4	W/O Inner panel
5	W/O Inner panel mounting standoffs
6	C/W 885 ESCHMF1 Mounting Feet (Installed)

No.	Revisions	Date	By/Par



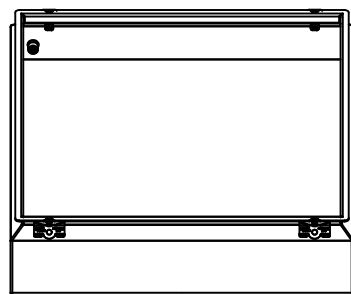
 Tél: (450) 979-4373 Fax: (450) 979-4626 <a href="http://www.exmweb.com">www.exmweb.com</a>		Flatness Aplatissement Max 3.0mm Projection 
Customer Client	Date	
Drawn By Dessiné Par	BoxCad: BoxCad	Date 15-Oct-19
Material Matière	16 Ga Cold Rolled A1008 CS Type B (1.4mm)	
Color Couleur	Asa-61 Grey	Finish Fini Smooth
Description	Detail Rev.	
1412SF 14.5" x 13.25" x 10.837" Assembly		
Part Number Numéro Pièce	Rev.	2
<b>1412SF141310</b>	<b>0</b>	<b>2</b>

PACKING		
ITEM	QTY	DESCRIPTION
Cardboard sleeve	2	Top and Bottom
Cardboard strip	2	Between back of enclosure and inner panel
Plastic bag	1	To protect cover surface and inside gasket
Plastic strap - Black	2	To Squeeze the 2 cardboard sleeve together
Packaging label	1	White label with product number

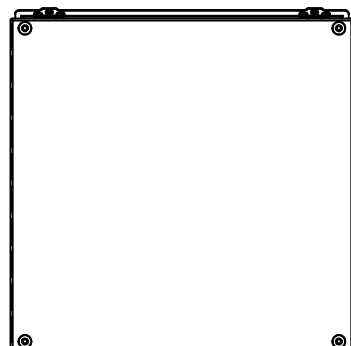
Qty	Part Number	Rev	Description
1	885 ESSCHMFQ	0	5412 ESSCH Mounting Feet Accessory Kit
1	STK-K-02920	3	5412 ESSC Accessory Kit
1	1412SF141310C	0	1412SF 14.5" x 13.25" Cover
1	1412SF141310B	0	1412SF 14.5" x 13.25" x 10.837" Body
Parts List			

This drawing is confidential and must not be reproduced or used without the consent of EXM

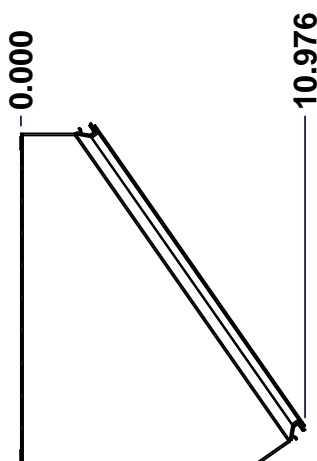
Ce dessin est confidentiel et ne doit pas être reproduit ou utilisé sans le consentement de EXM



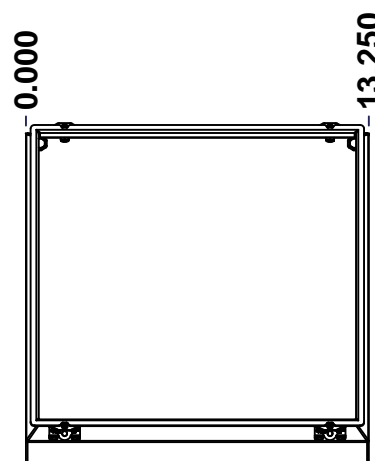
TOP



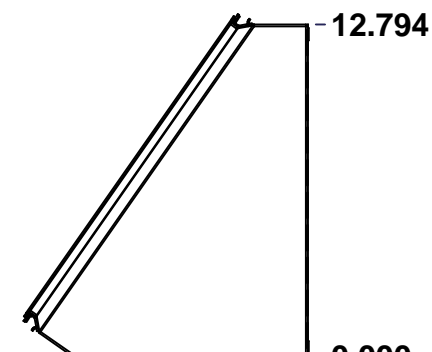
BACK



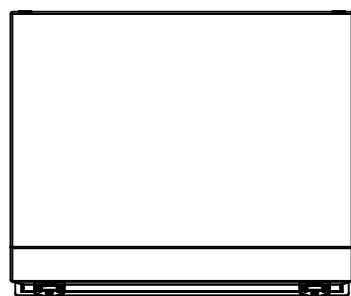
LEFT



FRONT

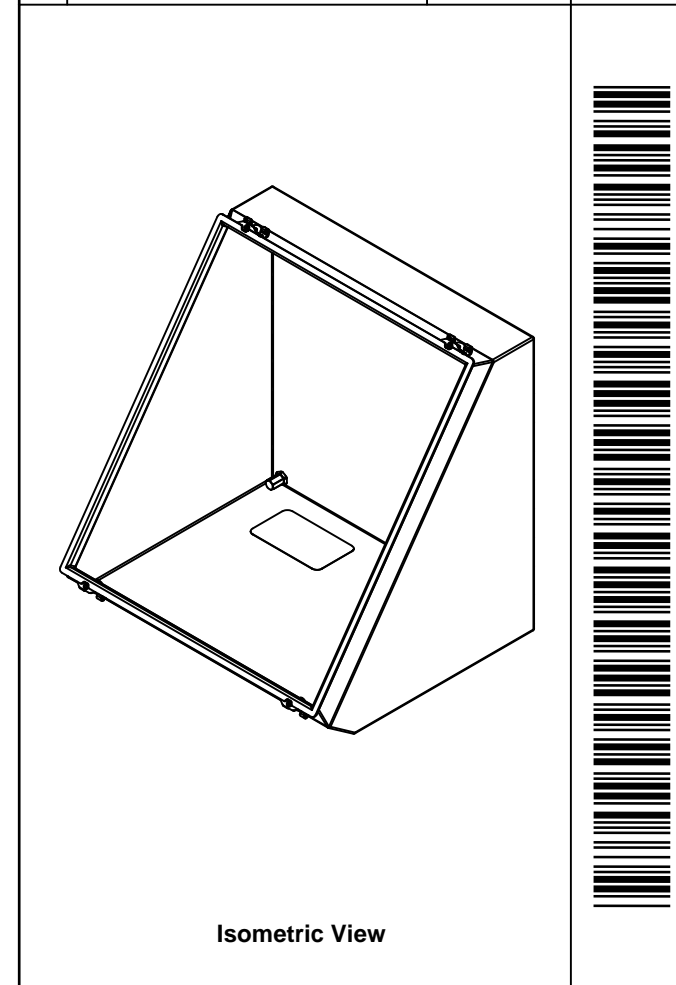


RIGHT




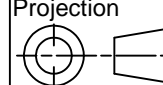
BOTTOM

No.	Revisions	Date	By/Par



Isometric View



 Tél: (450) 979-4373 Fax: (450) 979-4626 <a href="http://www.exmweb.com">www.exmweb.com</a>		Flatness Aplatissement Max 3.0mm Projection 
Customer Client	Date	Date
Drawn By Dessiné Par	BoxCad: BoxCad	15-Oct-19
Material Matière	16 Ga Cold Rolled A1008 CS Type B (1.4mm)	
Color Couleur	Asa-61 Grey	Finish Fini: Smooth
Description	1412SF 14.5" x 13.25" x 10.837" Body	
Part Number Numéro Pièce	Rev. 0	1 / 7

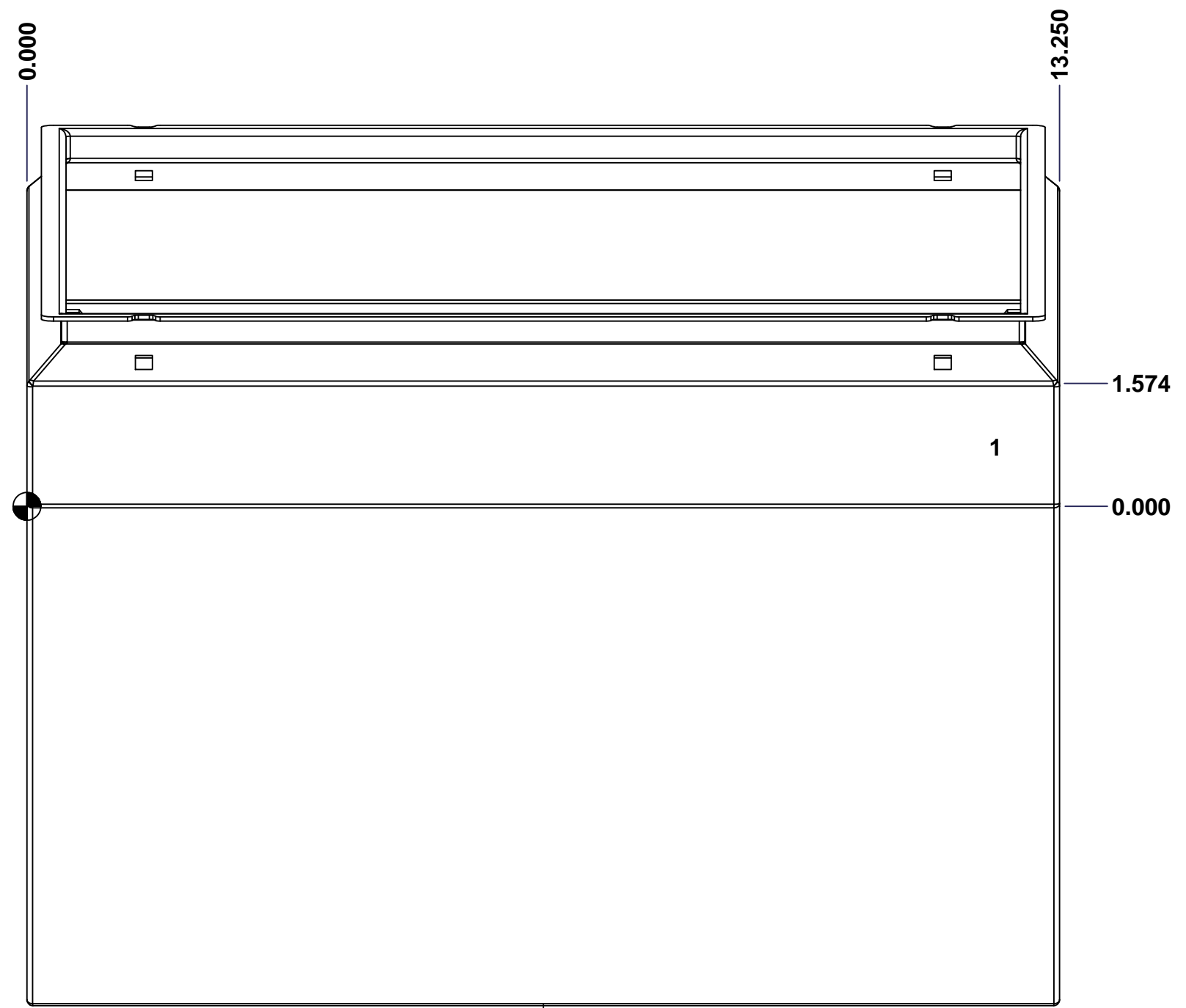
SEE BILL OF MATERIAL ON LAST PAGE

**1412SF141310B**

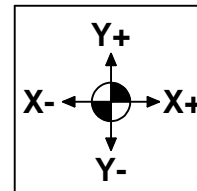
This drawing is confidential and must not be reproduced or used without the consent of EXM

Ce dessin est confidentiel et ne doit pas être reproduit ou utilisé sans le consentement de EXM

<b>STANDARD FEATURES ARE NOT LISTED IN THIS HOLE TABLE</b>			
<b>HOLE TABLE - ANGLE VIEW (CUSTOM FEATURE ONLY)</b>			
CUT-OUT	XDIM	YDIM	DESCRIPTION
1	12.375	0.742	STANDOFF M6 x 10mm (Inside)



ANGLE



Description		Status	
1412SF 14.5" x 13.25" x 10.837" Body		(NULL)	
Part Number Numéro Pièce		Rev.	4
<b>1412SF141310B</b>		<b>0</b>	7

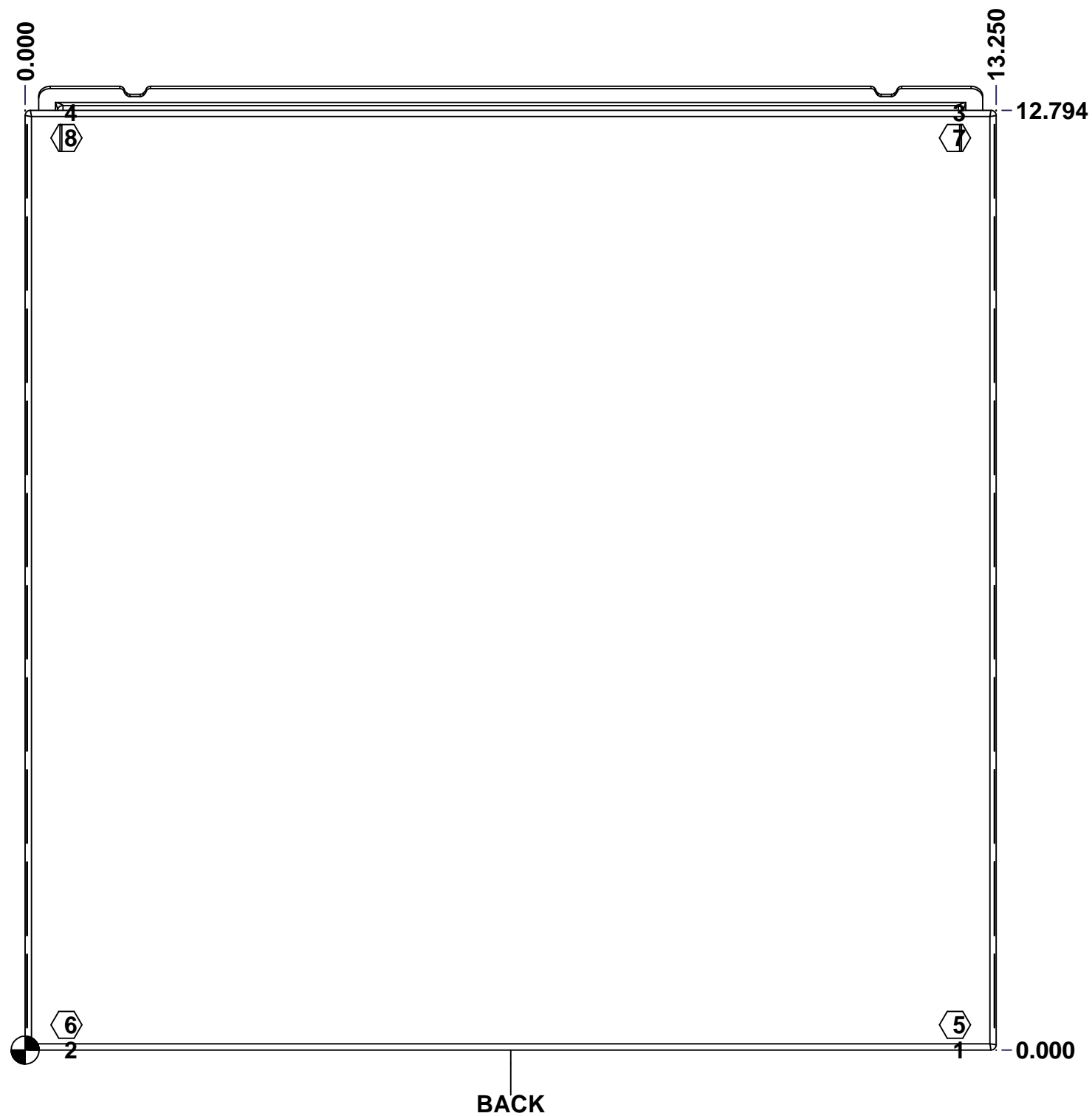
This drawing is confidential and must not be reproduced or used without the consent of EXM

Ce dessin est confidentiel et ne doit pas être reproduit ou utilisé sans le consentement de EXM

**STANDARD FEATURES ARE NOT LISTED IN THIS HOLE TABLE**

**HOLE TABLE - BACK VIEW (CUSTOM FEATURE ONLY)**

CUT-OUT	XDIM	YDIM	DESCRIPTION
1	12.687	0.000	FOOT 885 ESCHMF1
2	0.563	0.000	FOOT 885 ESCHMF1
3	12.687	12.762	FOOT 885 ESCHMF1
4	0.563	12.762	FOOT 885 ESCHMF1
5	12.687	0.344	RIVET NUT M6_FH_CE (Inside)
6	0.563	0.344	RIVET NUT M6_FH_CE (Inside)
7	12.687	12.418	RIVET NUT M6_FH_CE (Inside)
8	0.563	12.418	RIVET NUT M6_FH_CE (Inside)

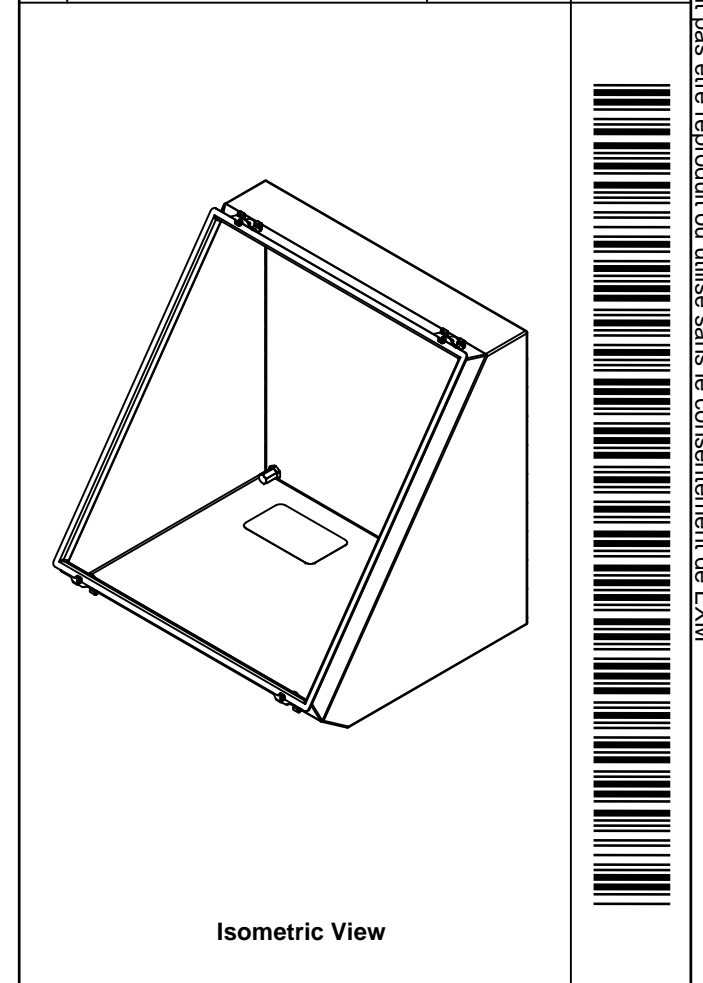



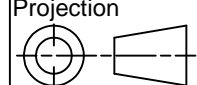
	Description	Status
	1412SF 14.5" x 13.25" x 10.837" Body	(NULL)
	Part Number Numéro Pièce	Rev.
	<b>1412SF141310B</b>	<b>0</b>
		6
		7

This drawing is confidential and must not be reproduced or used without the consent of EXM

Ce dessin est confidentiel et ne doit pas être reproduit ou utilisé sans le consentement de EXM

No.	Revisions	Date	By/Par

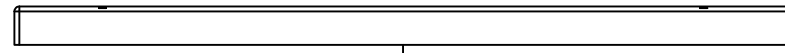


 Tél: (450) 979-4373 Fax: (450) 979-4626 <a href="http://www.exmweb.com">www.exmweb.com</a>		Flatness Aplatissement Max 3.0mm Projection 
Customer Client	Date	Date 15-Oct-19
Drawn By Dessiné Par	BoxCad: BoxCad	
Material Matière	16 Ga Cold Rolled A1008 CS Type B (1.4mm)	
Color Couleur	Asa-61 Grey	Finish Fini Smooth
Description	Detail Rev.	
1412SF 14.5" x 13.25" x 10.837" Body		
Part Number Numéro Pièce	Rev.	7
<b>1412SF141310B</b>	<b>0</b>	7

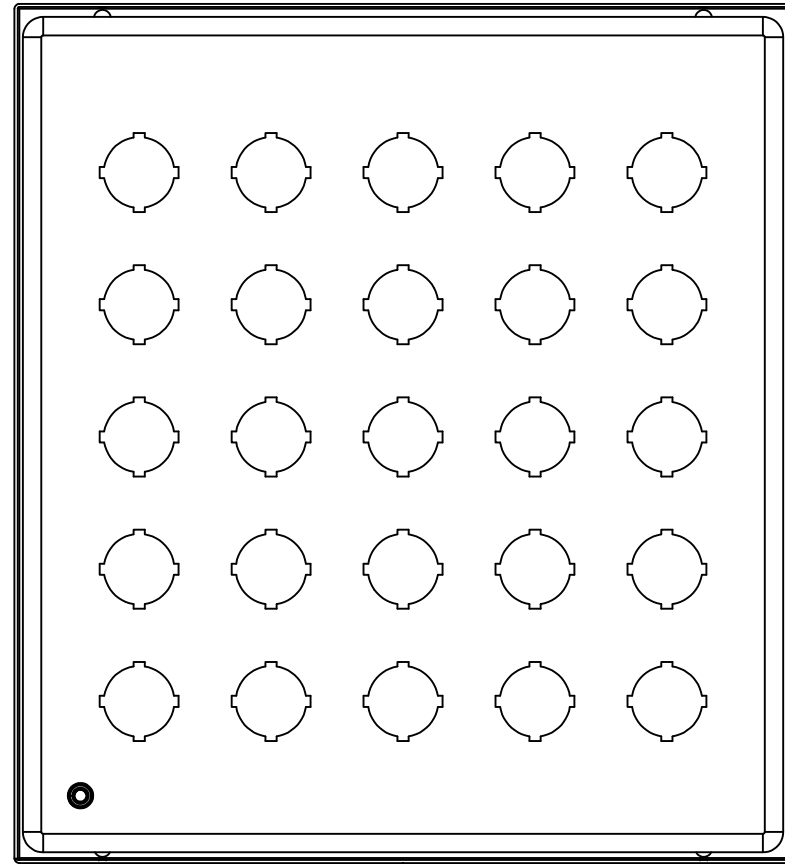
Qty	Part_Number	Rev	Description
4	RIVET_NUT_M6_FH_CE	0	Rivet Nut M6 (Low Profile Close End)
1	STK-Q-08350	5	Standoff M6 x 10mm
1	STK-P-02400S	0	Powder Paint (Asa-61 Grey / Smooth)
1	STK-S-00100	0	3.5" x 2" Silver Milar Flexcon Sticker
1	1412SF141310B-P	0	1412SF 14.5" x 13.25" x 10.837" Body Part
4	STK-Q-70464	2	5412 ESSC & ESSSC Stainless Steel Body Catch Assembly
4	STK-Q-08100	1	M5 Nylon Insert Lock Nut
Parts List			

This drawing is confidential and must not be reproduced or used without the consent of EXM

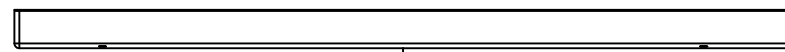
Ce dessin est confidentiel et ne doit pas être reproduit ou utilisé sans le consentement de EXM



TOP

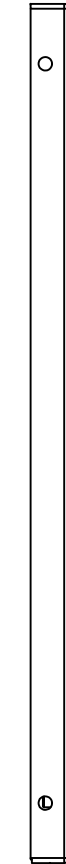


BACK



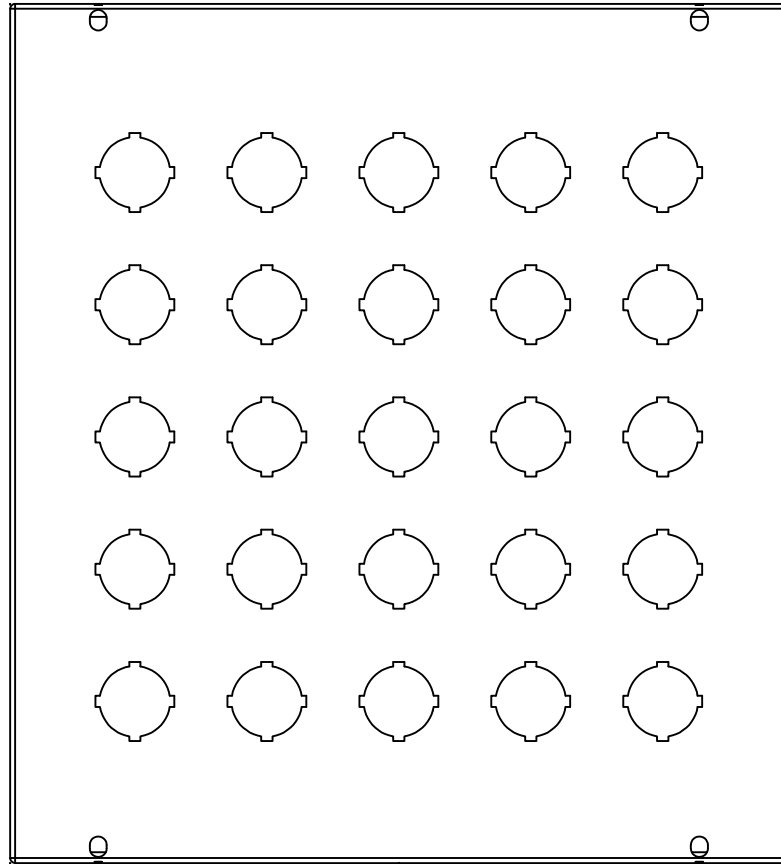
BOTTOM

0.000  
0.656



LEFT

0.000  
13.250



FRONT

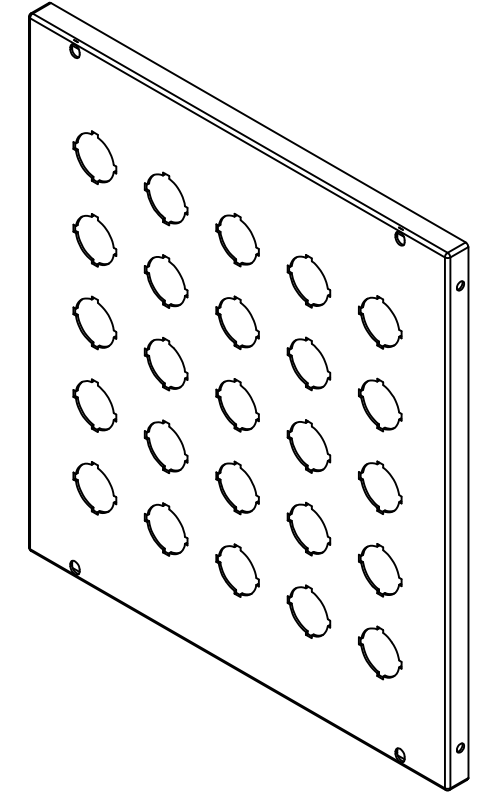
14.620



RIGHT

0.000

No.	Revisions	Date	By/Par



Isometric View

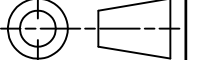


Tél: (450) 979-4373  
Fax: (450) 979-4626  
[www.exmweb.com](http://www.exmweb.com)

Flatness  
Aplatissement

Max 3.0mm

Projection



Customer Client	Date
Drawn By / Dessiné Par: BoxCad: BoxCad	Date: 15-Oct-19
Material / Matière: 16 Ga Cold Rolled A1008 CS Type B (1.4mm)	
Color / Couleur: Asa-61 Grey	Finish / Fini: Smooth
Description: 1412SF 14.5" x 13.25" Cover	Detail Rev.
Part Number / Numéro Pièce: 1412SF141310C	Rev. 0

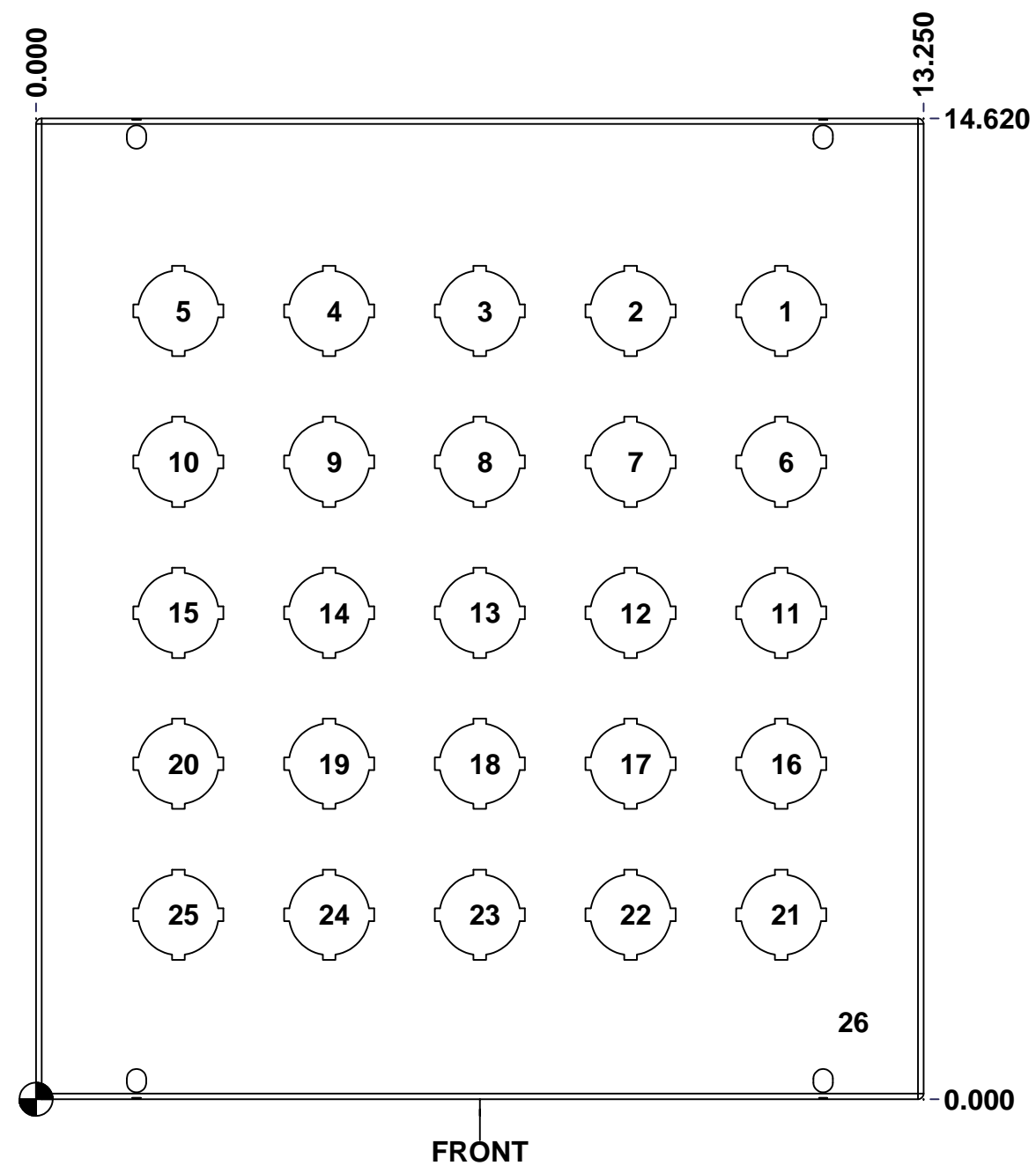
SEE BILL OF MATERIAL ON LAST PAGE

3

This drawing is confidential and must not be reproduced or used without the consent of EXM

Ce dessin est confidentiel et ne doit pas être reproduit ou utilisé sans le consentement de EXM

STANDARD FEATURES ARE NOT LISTED IN THIS HOLE TABLE			
HOLE TABLE - FRONT VIEW (CUSTOM FEATURE ONLY)			
CUT-OUT	XDIM	YDIM	DESCRIPTION
1	11.125	11.750	30.5 mm Standard Pushbutton
2	8.875	11.750	30.5 mm Standard Pushbutton
3	6.625	11.750	30.5 mm Standard Pushbutton
4	4.375	11.750	30.5 mm Standard Pushbutton
5	2.125	11.750	30.5 mm Standard Pushbutton
6	11.125	9.500	30.5 mm Standard Pushbutton
7	8.875	9.500	30.5 mm Standard Pushbutton
8	6.625	9.500	30.5 mm Standard Pushbutton
9	4.375	9.500	30.5 mm Standard Pushbutton
10	2.125	9.500	30.5 mm Standard Pushbutton
11	11.125	7.250	30.5 mm Standard Pushbutton
12	8.875	7.250	30.5 mm Standard Pushbutton
13	6.625	7.250	30.5 mm Standard Pushbutton
14	4.375	7.250	30.5 mm Standard Pushbutton
15	2.125	7.250	30.5 mm Standard Pushbutton
16	11.125	5.000	30.5 mm Standard Pushbutton
17	8.875	5.000	30.5 mm Standard Pushbutton
18	6.625	5.000	30.5 mm Standard Pushbutton
19	4.375	5.000	30.5 mm Standard Pushbutton
20	2.125	5.000	30.5 mm Standard Pushbutton
21	11.125	2.750	30.5 mm Standard Pushbutton
22	8.875	2.750	30.5 mm Standard Pushbutton
23	6.625	2.750	30.5 mm Standard Pushbutton
24	4.375	2.750	30.5 mm Standard Pushbutton
25	2.125	2.750	30.5 mm Standard Pushbutton
26	12.125	1.145	STANDOFF M6 x 10mm (Inside)



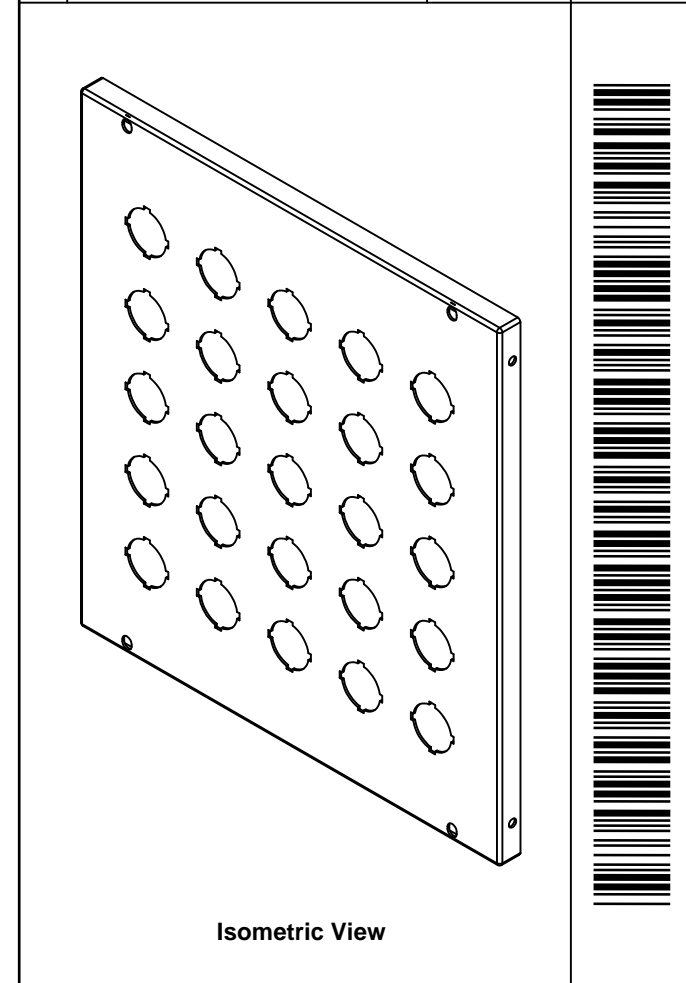
	Description	Status	
	1412SF 14.5" x 13.25" Cover	(NULL)	
	Part Number Numéro Pièce	Rev.	
	<b>1412SF141310C</b>	<b>0</b>	2 3


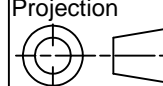


This drawing is confidential and must not be reproduced or used without the consent of EXM

Ce dessin est confidentiel et ne doit pas être reproduit ou utilisé sans le consentement de EXM

No.	Revisions	Date	By/Par



 Tél: (450) 979-4373 Fax: (450) 979-4626 <a href="http://www.exmweb.com">www.exmweb.com</a>		Flatness Aplatissement Max 3.0mm Projection 
Customer Client	Date	
Drawn By Dessiné Par	BoxCad: BoxCad	Date 15-Oct-19
Material Matière	16 Ga Cold Rolled A1008 CS Type B (1.4mm)	
Color Couleur	Asa-61 Grey	Finish Fini Smooth
Description		Detail Rev.
1412SF 14.5" x 13.25" Cover		
Part Number Numéro Pièce	Rev.	3
<b>1412SF141310C</b>	<b>0</b>	<b>3</b>

Qty	Part Name	Rev	Description
1	STK-Q-08350	5	Standoff M6 x 10mm
1	1412SF141310G	0	1412SF 14.5" x 13.25" Gasket
1	1412SF141310C-P	0	1412SF 14.5" x 13.25" Cover Part
1	STK-P-02400S	0	Powder Paint (Asa-61 Grey / Smooth)
Parts List			