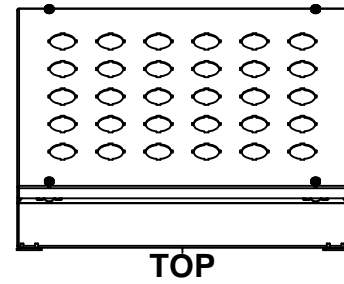
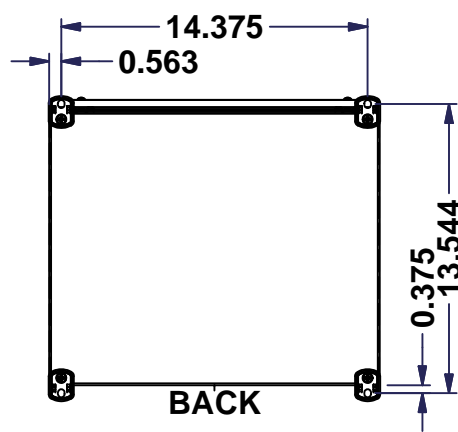


This drawing is confidential and must not be reproduced or used without the consent of EXM

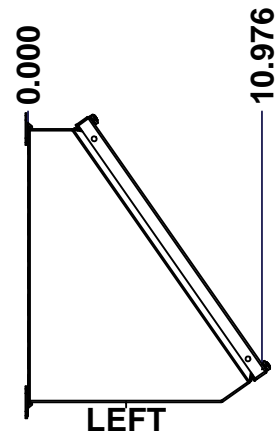
Ce dessin est confidentiel et ne doit pas être reproduit ou utilisé sans le consentement de EXM



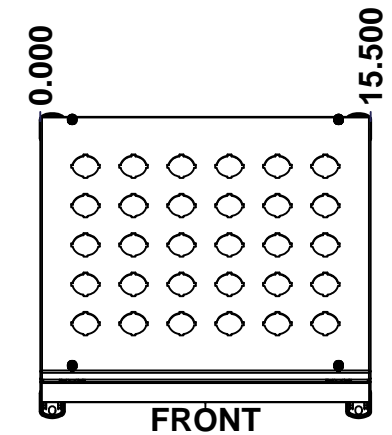
TOP



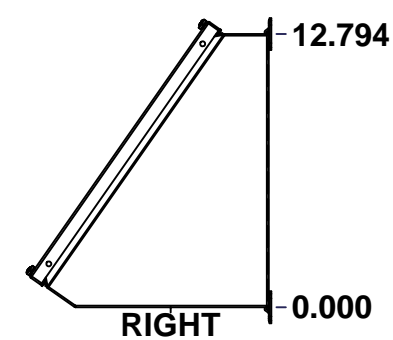
BACK



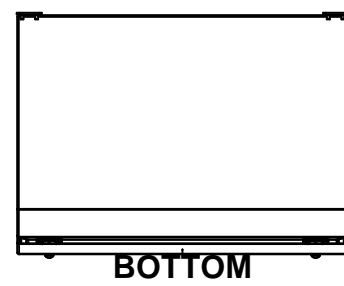
LEFT



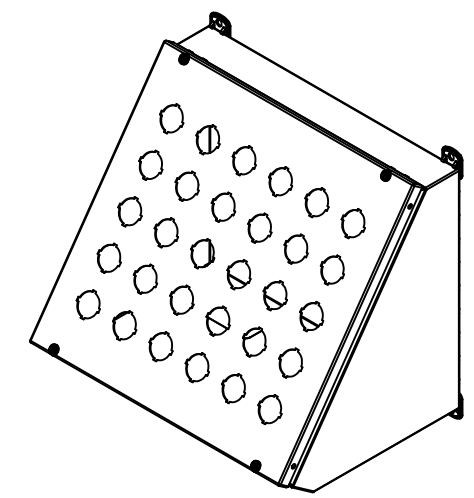
FRONT



RIGHT




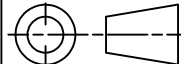
BOTTOM



Isometric View



No.	Revisions	Date	By/Par

 Tél: (450) 979-4373 Fax: (450) 979-4626 www.exmweb.com		Flatness Aplatissement Max 3.0mm Projection 
Customer Client	Date	Date
Drawn By Dessiné Par	BoxCad: BoxCad	Date 15-Oct-19
Material Matière	16 Ga Cold Rolled A1008 CS Type B (1.4mm)	
Color Couleur	Asa-61 Grey	Finish Fini Smooth
Description	1412SF 14.5" x 15.5" x 10.837" Assembly	
Part Number Numéro Pièce	Rev. 0	1 2

SEE BILL OF MATERIAL ON LAST PAGE

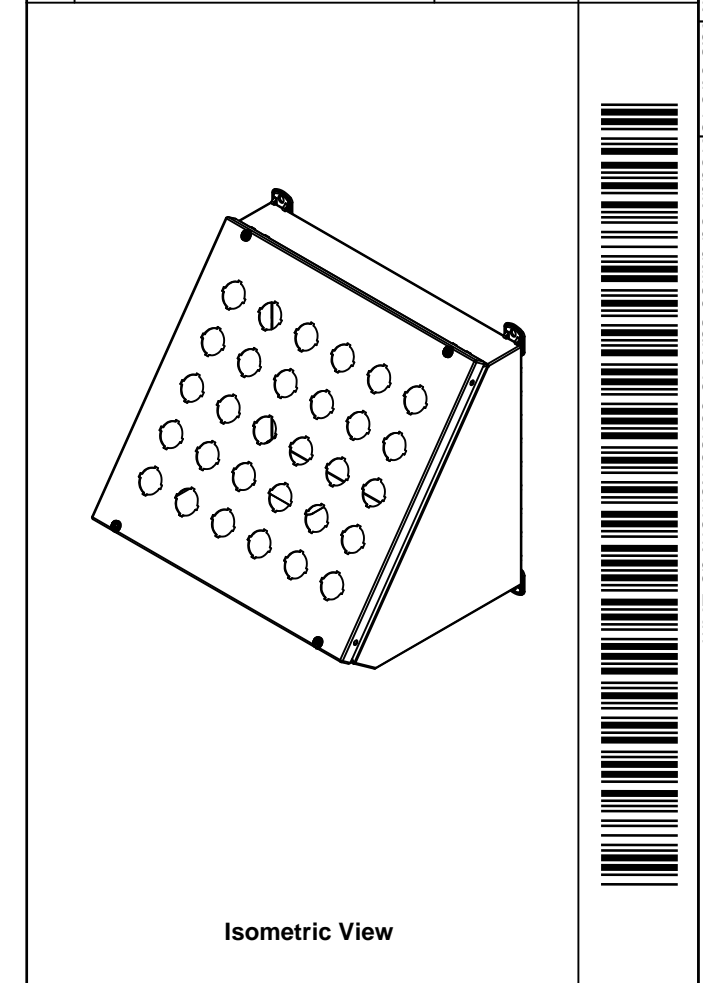
1412SF141510


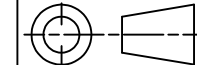
This drawing is confidential and must not be reproduced or used without the consent of EXM

Ce dessin est confidentiel et ne doit pas être reproduit ou utilisé sans le consentement de EXM

NOTE	
ITEM	DESCRIPTION
1	NEMA 4/12 Enclosure
2	C/W Standard ground standoffs on box and cover
3	W/O Standard door stiffener
4	W/O Inner panel
5	W/O Inner panel mounting standoffs
6	C/W 885 ESCHMF1 Mounting Feet (Installed)

No.	Revisions	Date	By/Par



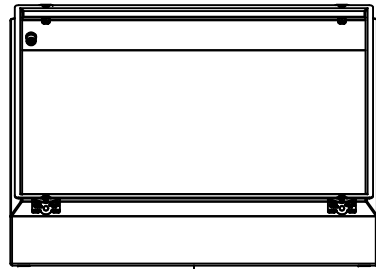
 Tél: (450) 979-4373 Fax: (450) 979-4626 www.exmweb.com		Flatness Aplatissement Max 3.0mm Projection 
Customer Client	Date	
Drawn By Dessiné Par	BoxCad: BoxCad	Date 15-Oct-19
Material Matière	16 Ga Cold Rolled A1008 CS Type B (1.4mm)	
Color Couleur	Asa-61 Grey	Finish Fini Smooth
Description	Detail Rev.	
1412SF 14.5" x 15.5" x 10.837" Assembly		
Part Number Numéro Pièce	1412SF141510	Rev. 2 0

PACKING		
ITEM	QTY	DESCRIPTION
Cardboard sleeve	2	Top and Bottom
Cardboard strip	2	Between back of enclosure and inner panel
Plastic bag	1	To protect cover surface and inside gasket
Plastic strap - Black	2	To Squeeze the 2 cardboard sleeve together
Packaging label	1	White label with product number

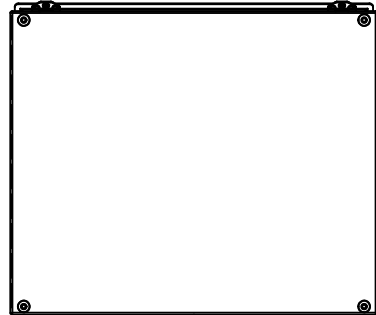
Qty	Part Number	Rev	Description
1	885 ESSCHMFQ	0	5412 ESSCH Mounting Feet Accessory Kit
1	STK-K-02920	3	5412 ESSC Accessory Kit
1	1412SF141510C	0	1412SF 14.5" x 15.5" Cover
1	1412SF141510B	0	1412SF 14.5" x 15.5" x 10.837" Body
Parts List			

This drawing is confidential and must not be reproduced or used without the consent of EXM

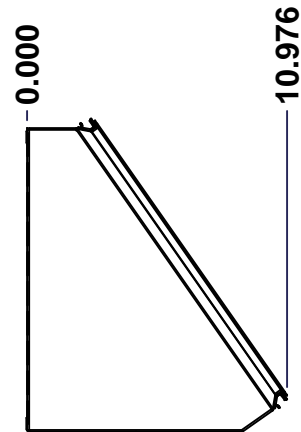
Ce dessin est confidentiel et ne doit pas être reproduit ou utilisé sans le consentement de EXM



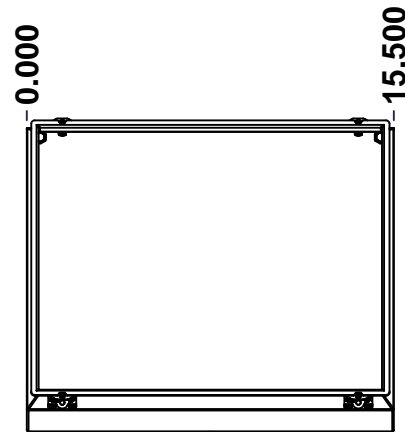
TOP



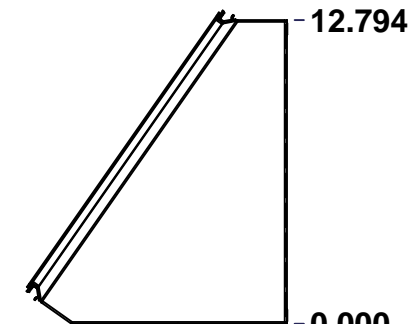
BACK



LEFT



FRONT

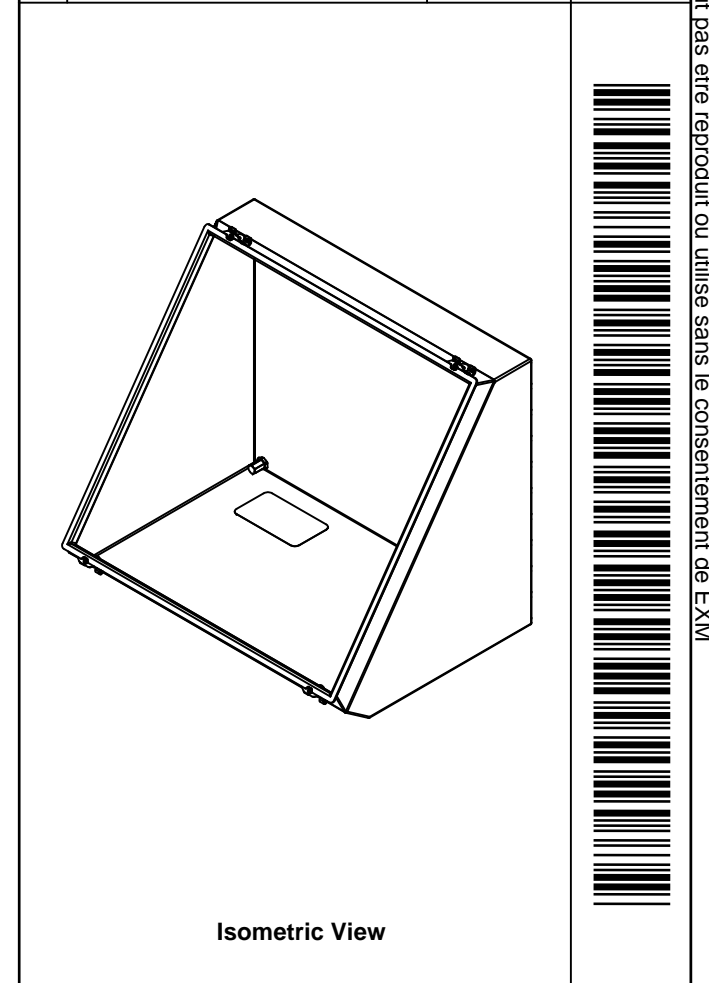



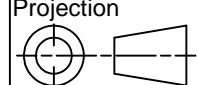
RIGHT



BOTTOM

No.	Revisions	Date	By/Par



 Tél: (450) 979-4373 Fax: (450) 979-4626 www.exmweb.com		Flatness Aplatissement Max 3.0mm Projection 
Customer Client	Date	
Drawn By Dessiné Par	BoxCad: BoxCad	Date 15-Oct-19
Material Matière	16 Ga Cold Rolled A1008 CS Type B (1.4mm)	
Color Couleur	Asa-61 Grey	Finish Fini Smooth
Description 1412SF 14.5" x 15.5" x 10.837" Body		Detail Rev.
Part Number Numéro Pièce	Rev. 0	1 / 7

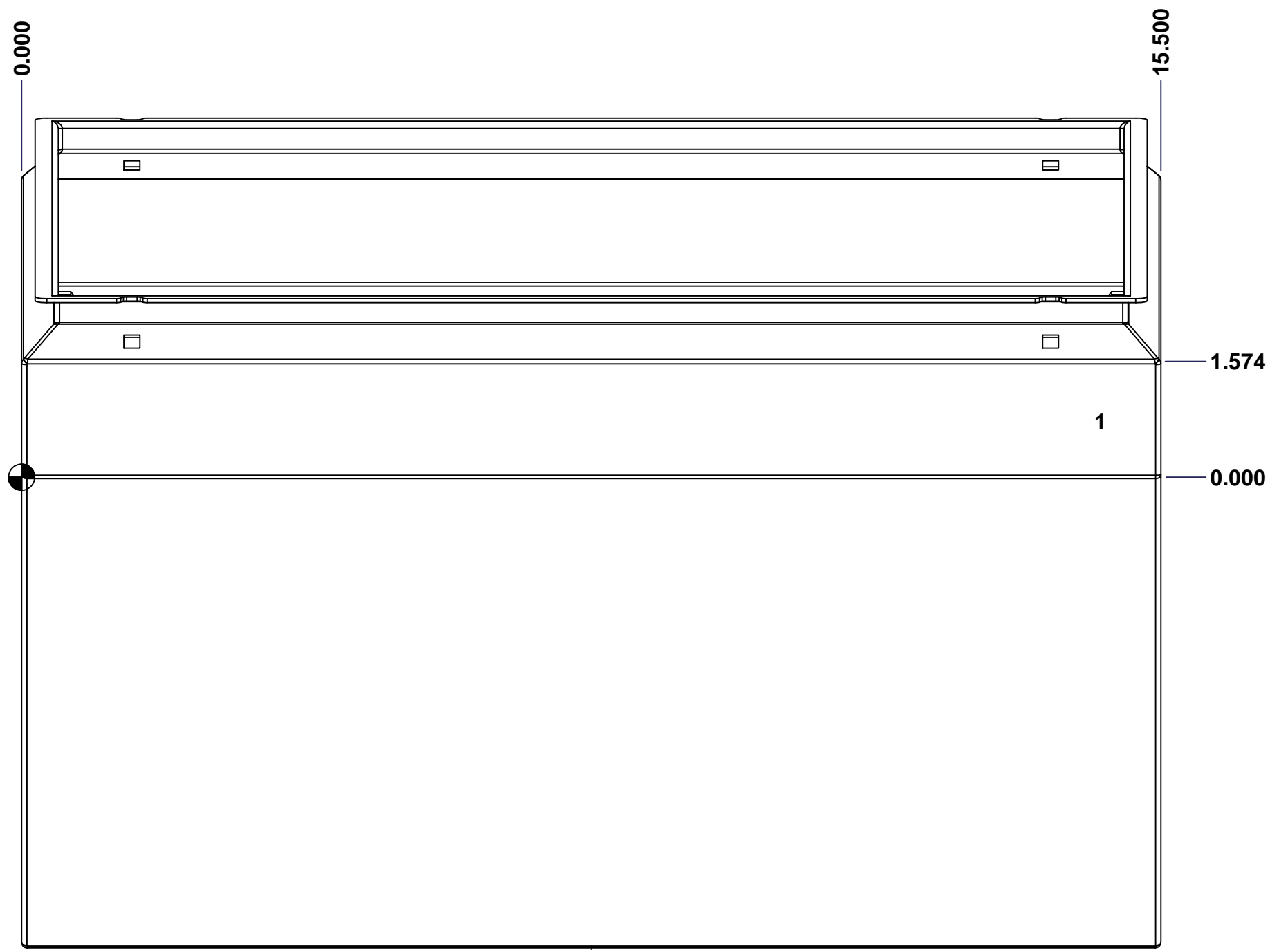
SEE BILL OF MATERIAL ON LAST PAGE

1412SF141510B

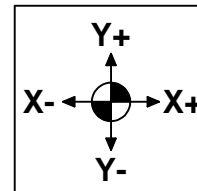
This drawing is confidential and must not be reproduced or used without the consent of EXM

Ce dessin est confidentiel et ne doit pas être reproduit ou utilisé sans le consentement de EXM

STANDARD FEATURES ARE NOT LISTED IN THIS HOLE TABLE			
HOLE TABLE - ANGLE VIEW (CUSTOM FEATURE ONLY)			
CUT-OUT	XDIM	YDIM	DESCRIPTION
1	14.625	0.742	STANDOFF M6 x 10mm (Inside)



ANGLE



Description 1412SF 14.5" x 15.5" x 10.837" Body		Status (NULL)	
Part Number Numéro Pièce 1412SF141510B		Rev. 0	4 7

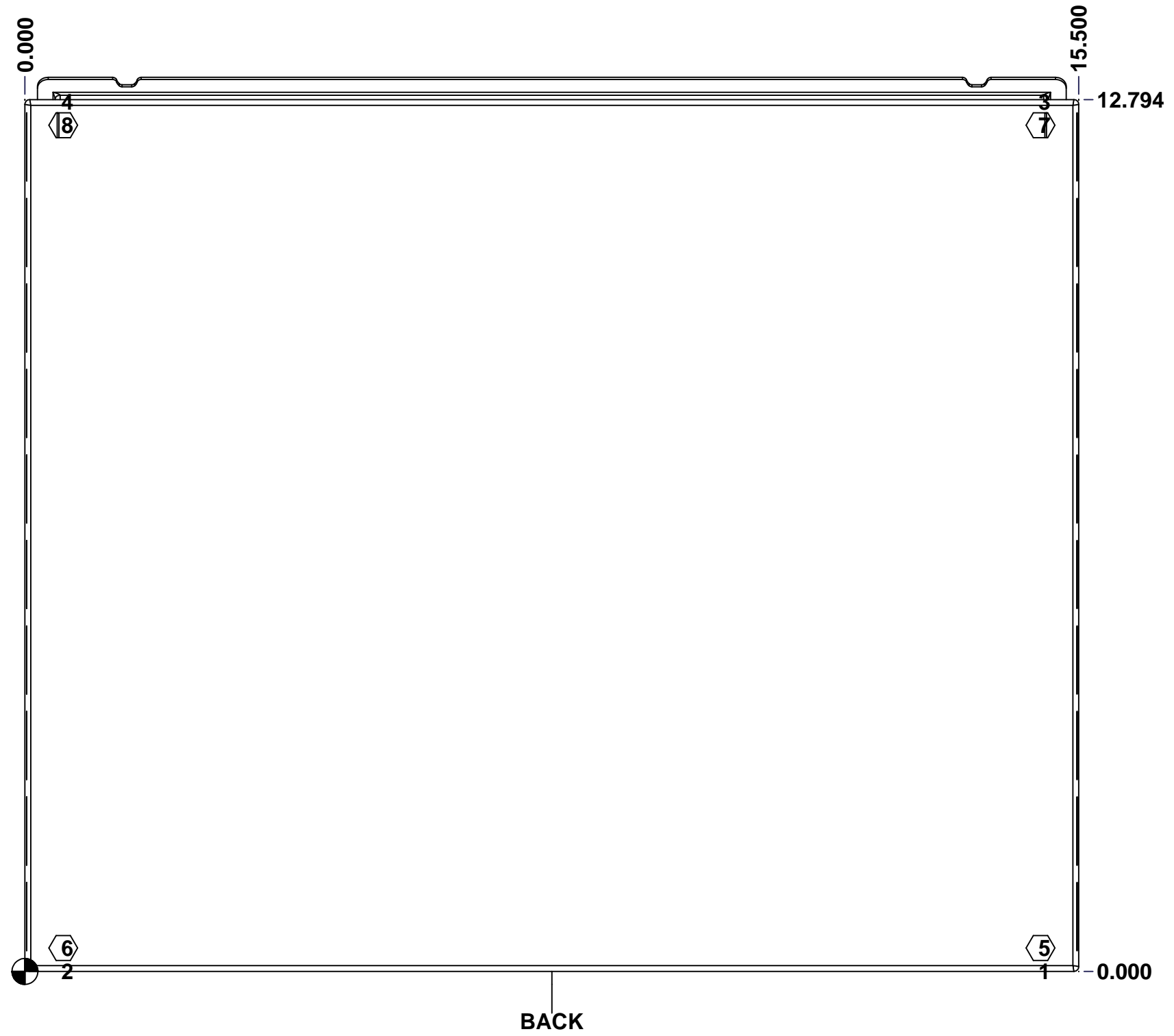
This drawing is confidential and must not be reproduced or used without the consent of EXM

Ce dessin est confidentiel et ne doit pas être reproduit ou utilisé sans le consentement de EXM

STANDARD FEATURES ARE NOT LISTED IN THIS HOLE TABLE

HOLE TABLE - BACK VIEW (CUSTOM FEATURE ONLY)

CUT-OUT	XDIM	YDIM	DESCRIPTION
1	14.937	0.000	FOOT 885 ESCHMF1
2	0.563	0.000	FOOT 885 ESCHMF1
3	14.937	12.762	FOOT 885 ESCHMF1
4	0.563	12.762	FOOT 885 ESCHMF1
5	14.937	0.344	RIVET NUT M6_FH_CE (Inside)
6	0.563	0.344	RIVET NUT M6_FH_CE (Inside)
7	14.937	12.418	RIVET NUT M6_FH_CE (Inside)
8	0.563	12.418	RIVET NUT M6_FH_CE (Inside)

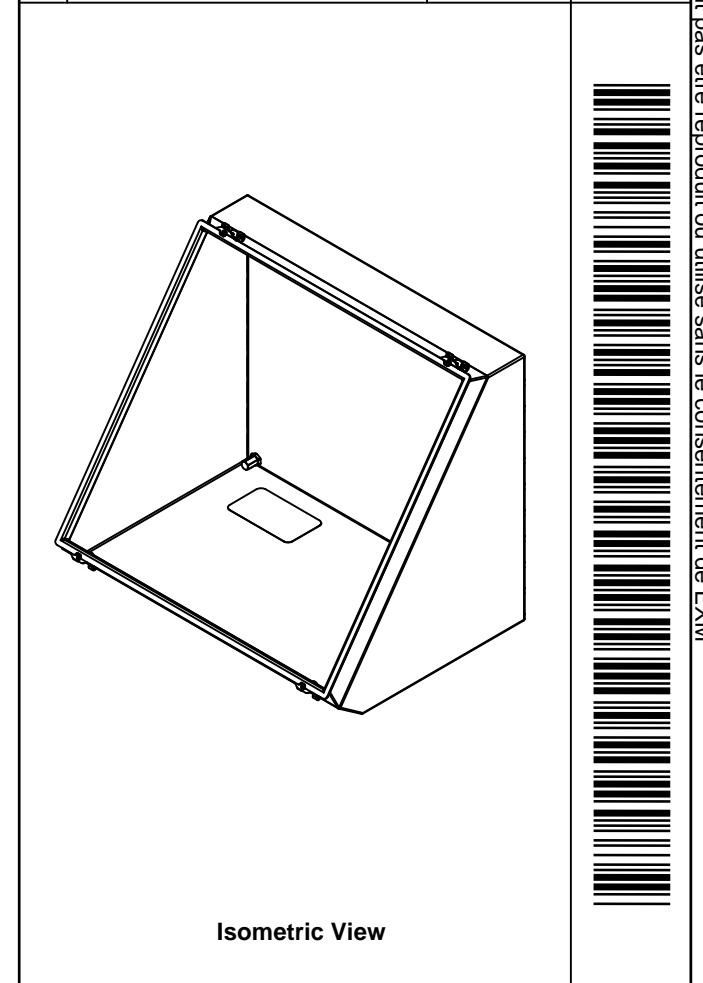



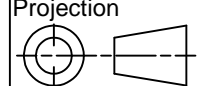
	Description	Status
	1412SF 14.5" x 15.5" x 10.837" Body	(NULL)
	Part Number Numéro Pièce	Rev.
	1412SF141510B	0
		6
		7

This drawing is confidential and must not be reproduced or used without the consent of EXM

Ce dessin est confidentiel et ne doit pas être reproduit ou utilisé sans le consentement de EXM

No.	Revisions	Date	By/Par

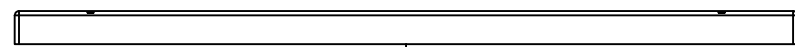


 Tél: (450) 979-4373 Fax: (450) 979-4626 www.exmweb.com		Flatness Aplatissement Max 3.0mm Projection 
Customer Client	Date	
Drawn By Dessiné Par	BoxCad: BoxCad	Date 15-Oct-19
Material Matière	16 Ga Cold Rolled A1008 CS Type B (1.4mm)	
Color Couleur	Asa-61 Grey	Finish Fini Smooth
Description		Detail Rev.
1412SF 14.5" x 15.5" x 10.837" Body		
Part Number Numéro Pièce	Rev. 7	7
1412SF141510B		0

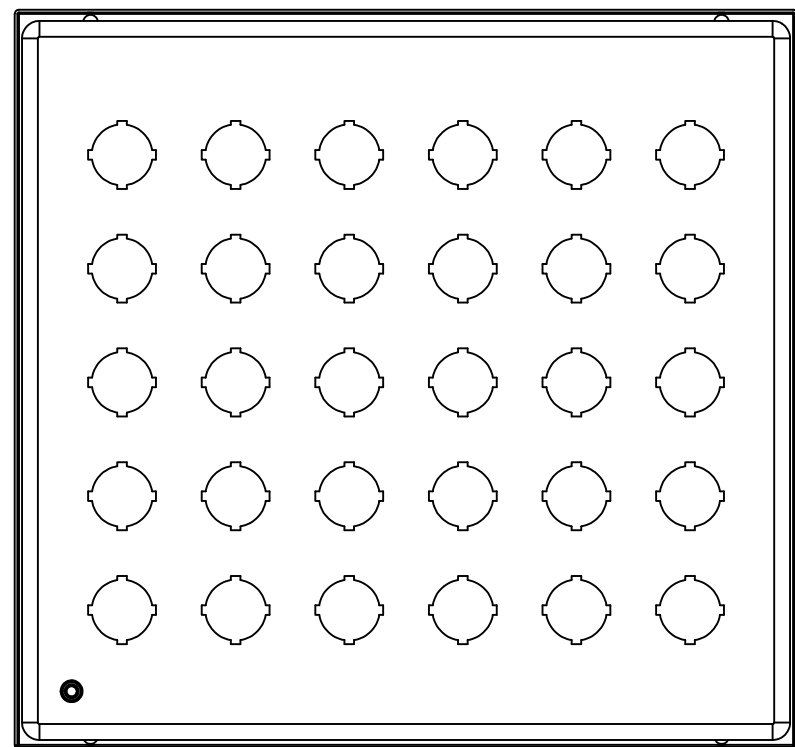
4	RIVET_NUT_M6_FH_CE	0	Rivet Nut M6 (Low Profile Close End)
1	STK-Q-08350	5	Standoff M6 x 10mm
1	STK-P-02400S	0	Powder Paint (Asa-61 Grey / Smooth)
1	STK-S-00100	0	3.5" x 2" Silver Milar Flexcon Sticker
1	1412SF141510B-P	0	1412SF 14.5" x 15.5" x 10.837" Body Part
4	STK-Q-70464	2	5412 ESSC & ESSSC Stainless Steel Body Catch Assembly
4	STK-Q-08100	1	M5 Nylon Insert Lock Nut
Qty	Part_Number	Rev	Description
Parts List			

This drawing is confidential and must not be reproduced or used without the consent of EXM

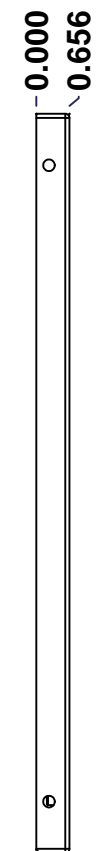
Ce dessin est confidentiel et ne doit pas être reproduit ou utilisé sans le consentement de EXM



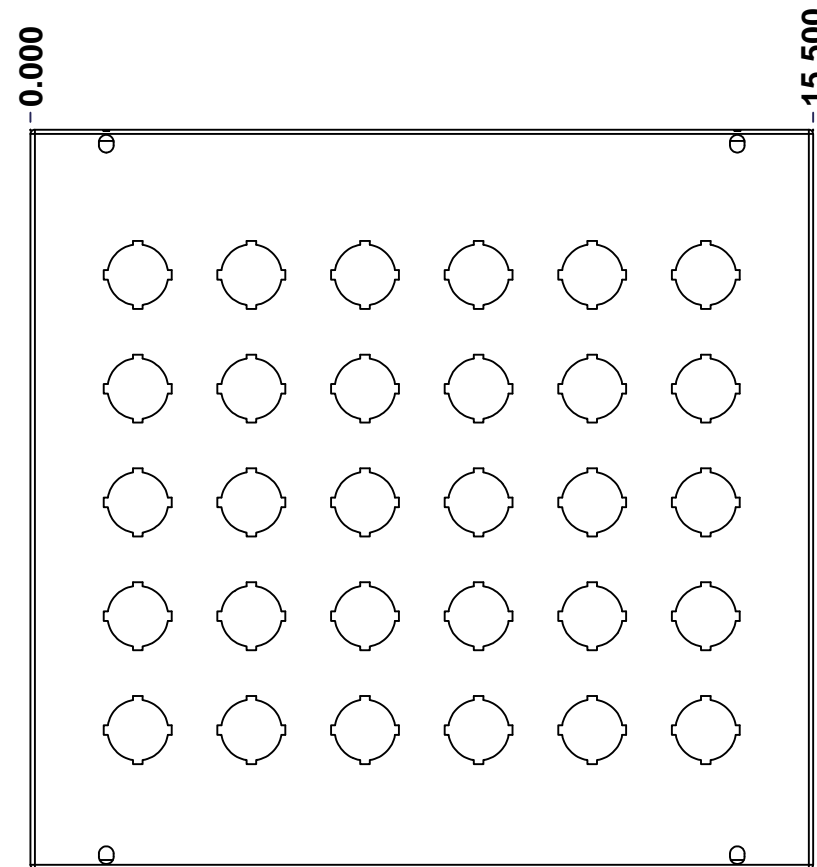
TOP



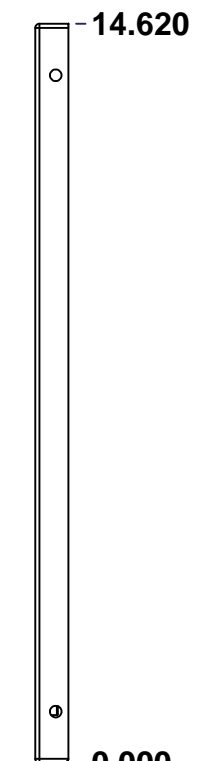
BACK



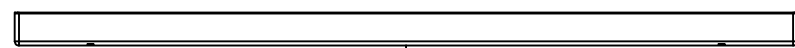
LEFT



FRONT

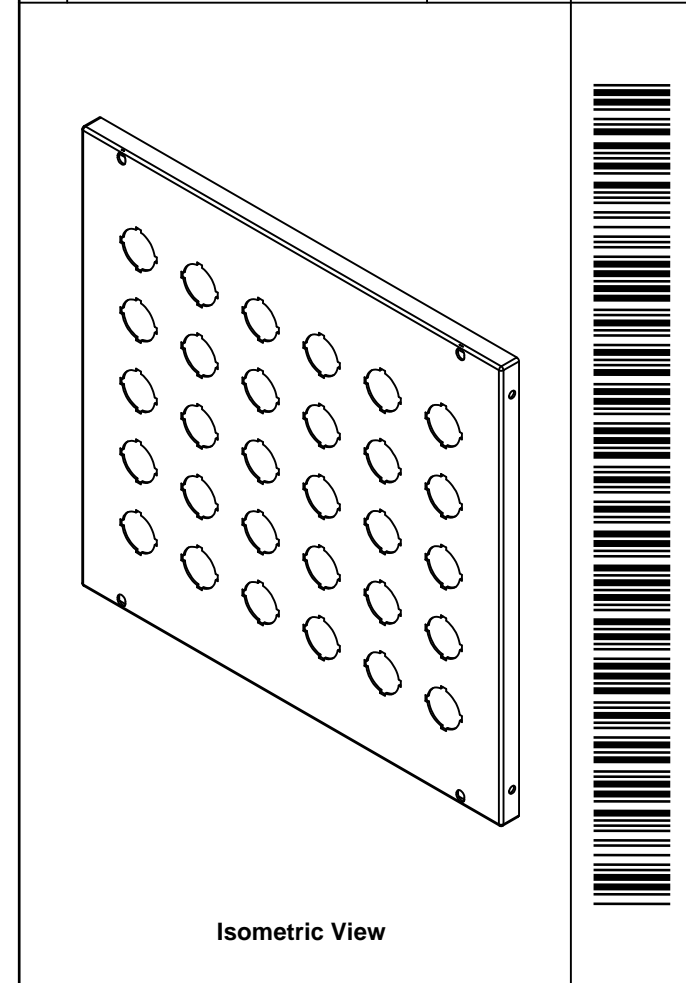


RIGHT

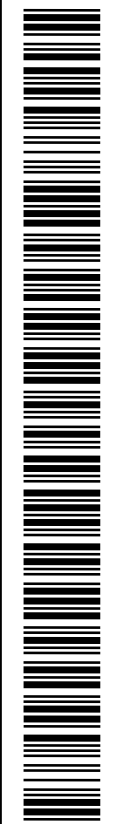



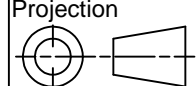
BOTTOM

No.	Revisions	Date	By/Par



Isometric View



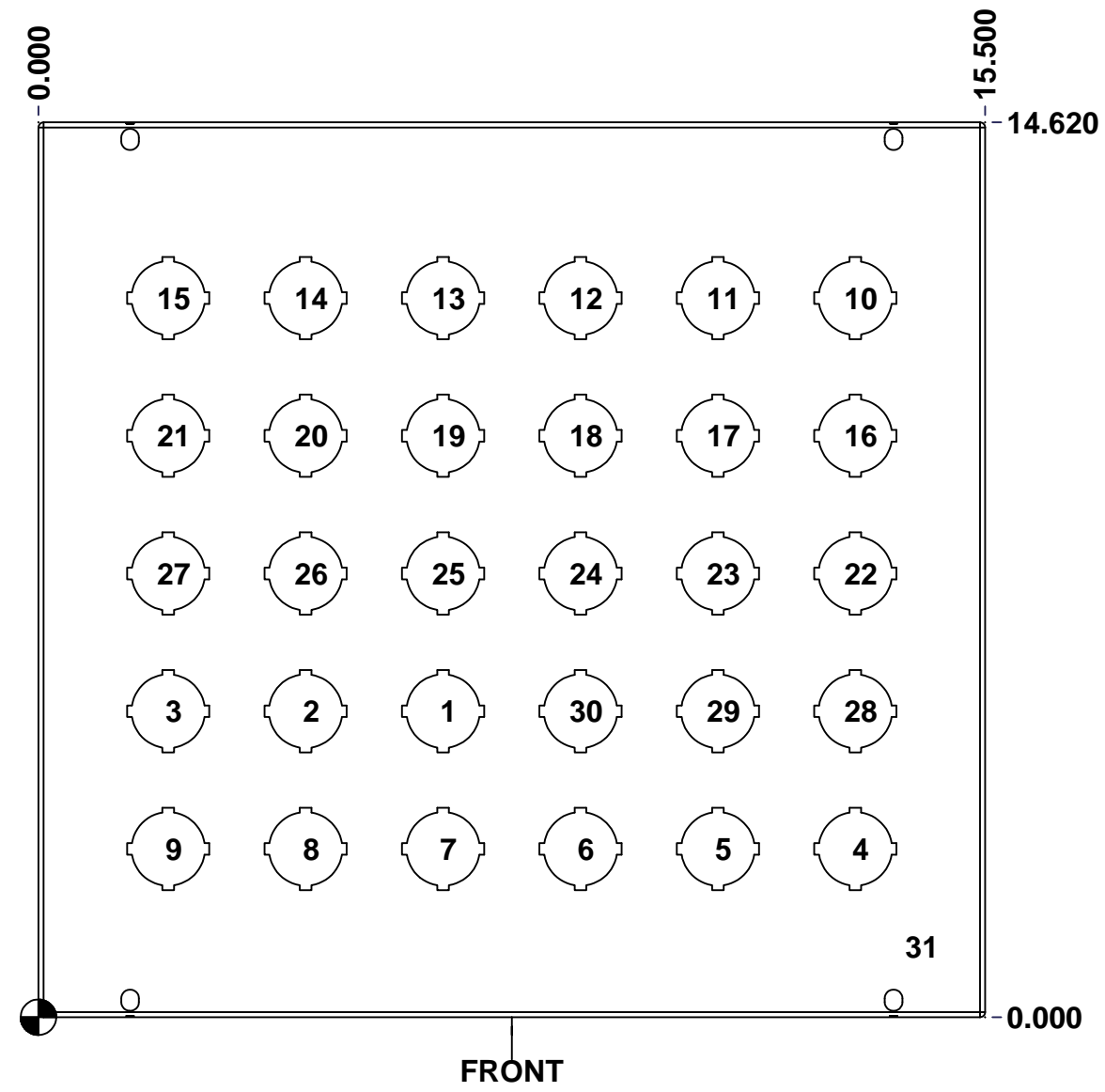
 Tél: (450) 979-4373 Fax: (450) 979-4626 www.exmweb.com		Flatness Aplatissement Max 3.0mm Projection 
Customer Client	BoxCad: BoxCad	Date 15-Oct-19
Material Matière 16 Ga Cold Rolled A1008 CS Type B (1.4mm)		
Color Couleur Asa-61 Grey	Finish Fini Smooth	
Description 1412SF 14.5" x 15.5" Cover		Detail Rev.
Part Number Numéro Pièce 1412SF141510C	Rev. 0	1/3

SEE BILL OF MATERIAL ON LAST PAGE

This drawing is confidential and must not be reproduced or used without the consent of EXM

Ce dessin est confidentiel et ne doit pas être reproduit ou utilisé sans le consentement de EXM

STANDARD FEATURES ARE NOT LISTED IN THIS HOLE TABLE			
HOLE TABLE - FRONT VIEW (CUSTOM FEATURE ONLY)			
CUT-OUT	XDIM	YDIM	DESCRIPTION
1	6.625	5.000	30.5 mm Standard Pushbutton
2	4.375	5.000	30.5 mm Standard Pushbutton
3	2.125	5.000	30.5 mm Standard Pushbutton
4	13.375	2.750	30.5 mm Standard Pushbutton
5	11.125	2.750	30.5 mm Standard Pushbutton
6	8.875	2.750	30.5 mm Standard Pushbutton
7	6.625	2.750	30.5 mm Standard Pushbutton
8	4.375	2.750	30.5 mm Standard Pushbutton
9	2.125	2.750	30.5 mm Standard Pushbutton
10	13.375	11.750	30.5 mm Standard Pushbutton
11	11.125	11.750	30.5 mm Standard Pushbutton
12	8.875	11.750	30.5 mm Standard Pushbutton
13	6.625	11.750	30.5 mm Standard Pushbutton
14	4.375	11.750	30.5 mm Standard Pushbutton
15	2.125	11.750	30.5 mm Standard Pushbutton
16	13.375	9.500	30.5 mm Standard Pushbutton
17	11.125	9.500	30.5 mm Standard Pushbutton
18	8.875	9.500	30.5 mm Standard Pushbutton
19	6.625	9.500	30.5 mm Standard Pushbutton
20	4.375	9.500	30.5 mm Standard Pushbutton
21	2.125	9.500	30.5 mm Standard Pushbutton
22	13.375	7.250	30.5 mm Standard Pushbutton
23	11.125	7.250	30.5 mm Standard Pushbutton
24	8.875	7.250	30.5 mm Standard Pushbutton
25	6.625	7.250	30.5 mm Standard Pushbutton
26	4.375	7.250	30.5 mm Standard Pushbutton
27	2.125	7.250	30.5 mm Standard Pushbutton
28	13.375	5.000	30.5 mm Standard Pushbutton
29	11.125	5.000	30.5 mm Standard Pushbutton
30	8.875	5.000	30.5 mm Standard Pushbutton
31	14.375	1.145	STANDOFF M6 x 10mm (Inside)

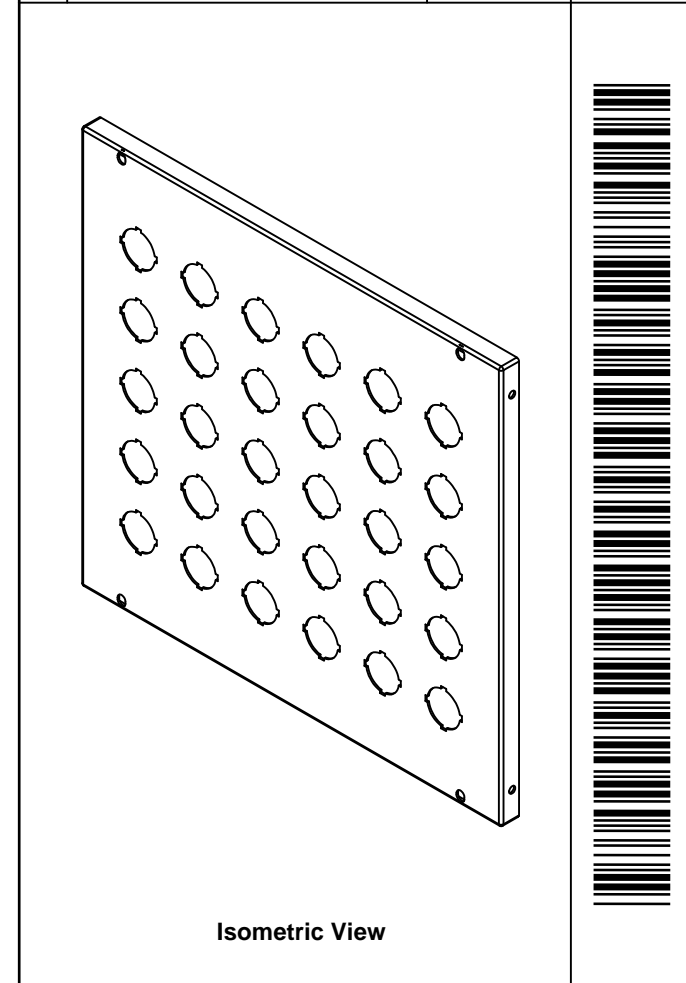


	Description 1412SF 14.5" x 15.5" Cover	Status (NULL)
	Part Number Numéro Pièce 1412SF141510C	Rev. 2 0 3


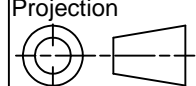
This drawing is confidential and must not be reproduced or used without the consent of EXM

Ce dessin est confidentiel et ne doit pas être reproduit ou utilisé sans le consentement de EXM

No.	Revisions	Date	By/Par



Isometric View

 Tél: (450) 979-4373 Fax: (450) 979-4626 www.exmweb.com		Flatness Aplatissement Max 3.0mm Projection 
Customer Client	Date	
Drawn By Dessiné Par	BoxCad: BoxCad	Date 15-Oct-19
Material Matière	16 Ga Cold Rolled A1008 CS Type B (1.4mm)	
Color Couleur	Asa-61 Grey	Finish Fini Smooth
Description		Detail Rev.
1412SF 14.5" x 15.5" Cover		
Part Number Numéro Pièce	Rev.	3
1412SF141510C	0	3

Qty	Part Name	Rev	Description
1	STK-Q-08350	5	Standoff M6 x 10mm
1	1412SF141510G	0	1412SF 14.5" x 15.5" Gasket
1	1412SF141510C-P	0	1412SF 14.5" x 15.5" Cover Part
1	STK-P-02400S	0	Powder Paint (Asa-61 Grey / Smooth)
Parts List			