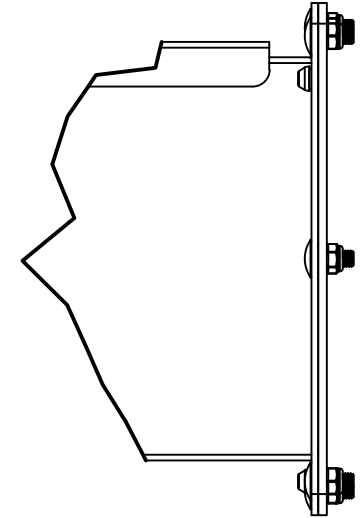
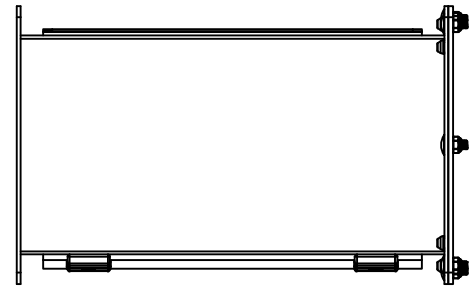
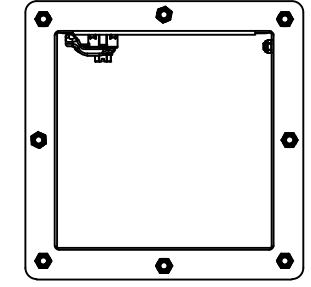
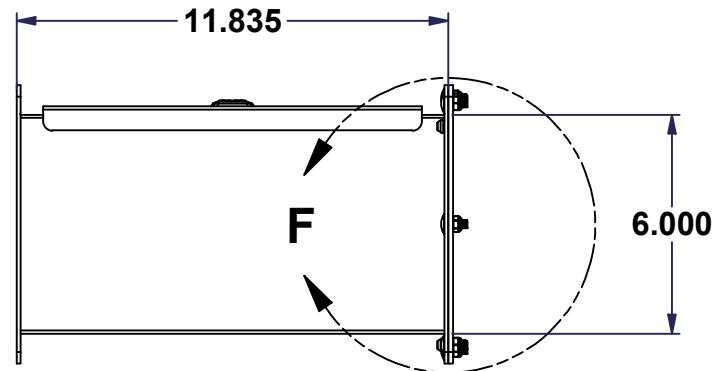
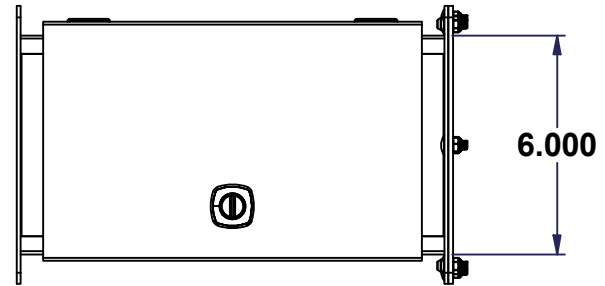
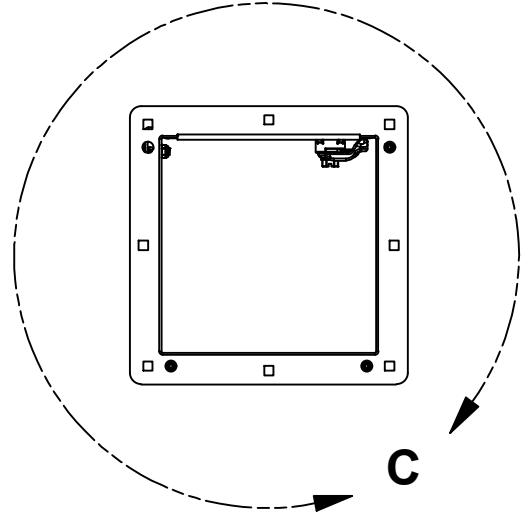
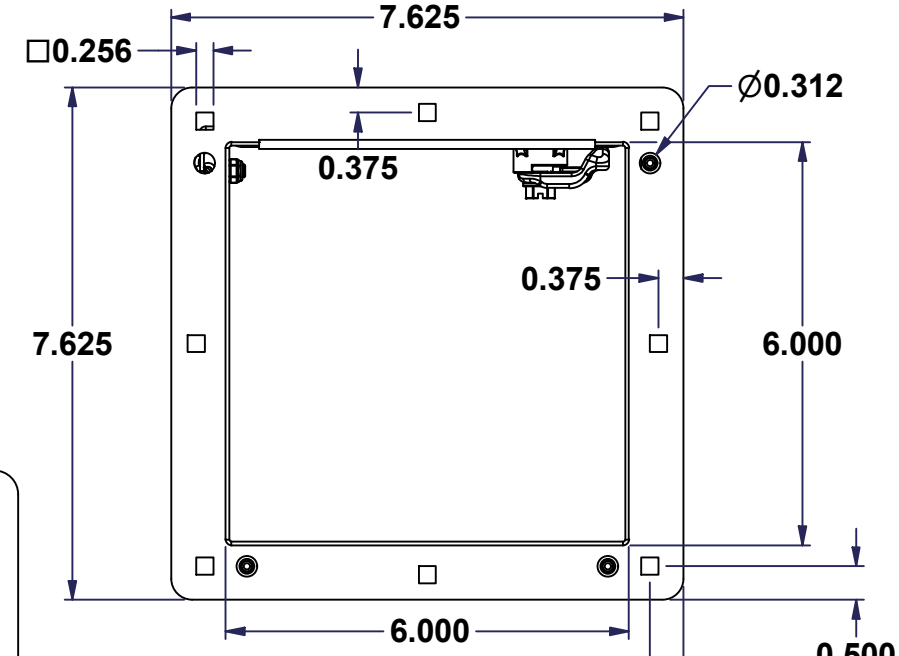


This drawing is confidential and must not be reproduced or used without the consent of EXM

Ce dessin est confidentiel et ne doit pas être reproduit ou utilisé sans le consentement de EXM

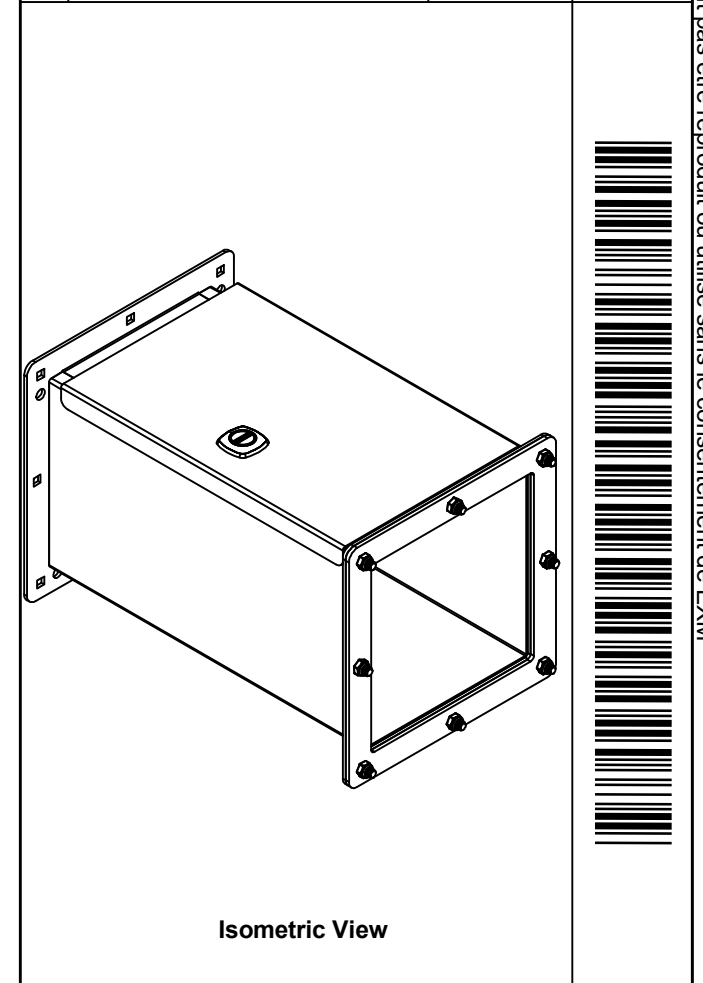


**DETAIL F**



**DETAIL C**

No.	Revisions	Date	By/Par



**Isometric View**



**APPROVED FOR PRODUCTION**  
**APPROUVÉ POUR PRODUCTION**  
 SIGNATURE: \_\_\_\_\_  
 NAME / NOM: \_\_\_\_\_  
 DATE: \_\_\_\_\_  
 Please visit: [www.boxcadexm.com](http://www.boxcadexm.com)

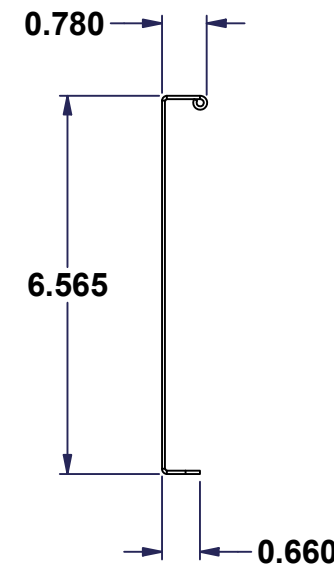
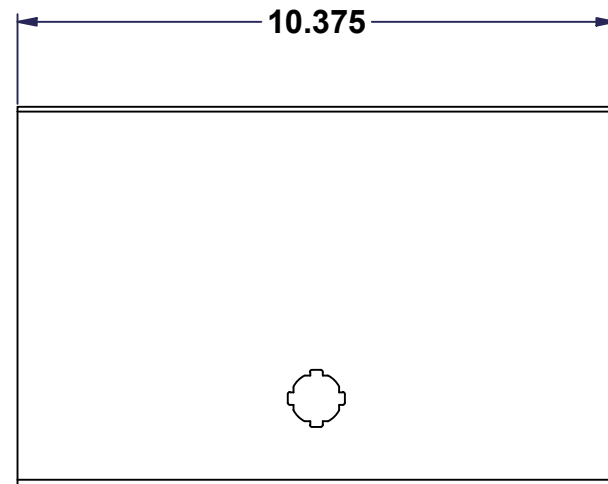
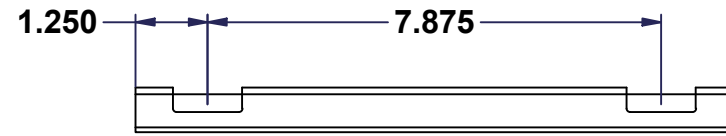
1	1412SS6012G	0	1412 SS - Cover Gasket
1	STK-K-12520	4	1/4 Turn for 1500 CH Throughs - Lock Assembly
8	STK-Q-07225	0	M6 Stainless Steel Nylon Insert Lock Nut
8	STK-Q-00266	0	M6 x 16mm Stainless Steel 316 Carriage Bolt
1	STK-G-01620	1	1412 - Pull Through Wireway - Gasket
2	STK-Q-08100	1	M5 Nylon Insert Lock Nut
2	STK-A-33033	4	5412 ESMCH Hinge
2	1412SS6012BC-P	0	Box Connector - Part
1	1412SS6012C-P	0	1412 SS6012 Cover Part
1	1412SS6012B-P		1412 SS6012 Body Part
Qty	Part Number	Rev.	Description

Parts List

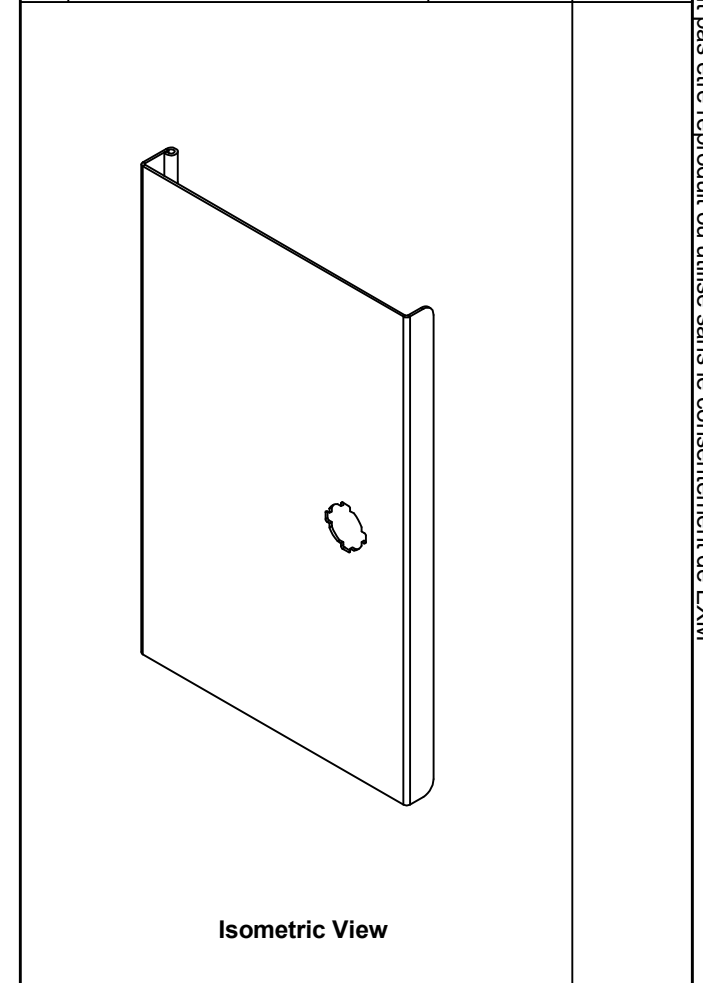
Tél: (450) 979-4373 Fax: (450) 979-4626 <a href="http://www.exmweb.com">www.exmweb.com</a>	Flatness Aplatissement	Max 3.0mm
	Projection	
Customer Client	Date	
Drawn By Dessiné Par Hunter	Date	12-Oct-22
Material Matière	16 Ga Cold Rolled A1008 CS Type B (1.4mm)	
Color Couleur	Asa-61 Grey	Finish Fini Smooth
Description	1412 SS6012 Assembly	
Part Number Numéro Pièce	Rev.	1
<b>1412SS6012</b>	<b>0</b>	<b>4</b>

This drawing is confidential and must not be reproduced or used without the consent of EXM

Ce dessin est confidentiel et ne doit pas être reproduit ou utilisé sans le consentement de EXM



No.	Revisions	Date	By/Par



Isometric View



Tél: (450) 979-4373  
 Fax: (450) 979-4626  
[www.exmweb.com](http://www.exmweb.com)

Flatness  
Aplatissement  
Max 3.0mm  
Projection

Customer Client	Date
Drawn By / Dessiné Par: Hunter	Date: 12-Oct-22
Material / Matière: 16 Ga Cold Rolled A1008 CS Type B (1.4mm)	

Color / Couleur: Asa-61 Grey	Finish / Fini: Smooth
------------------------------	-----------------------

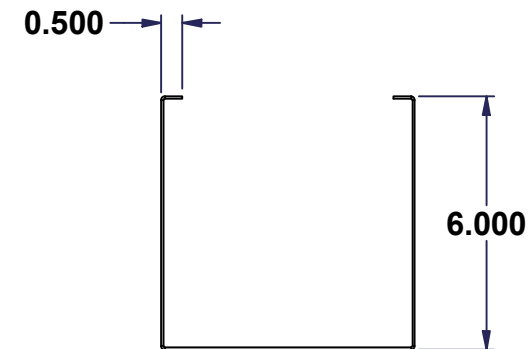
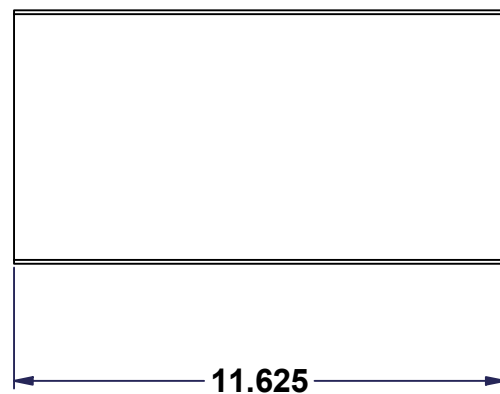
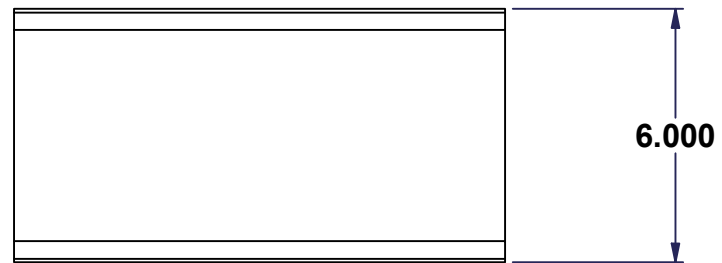
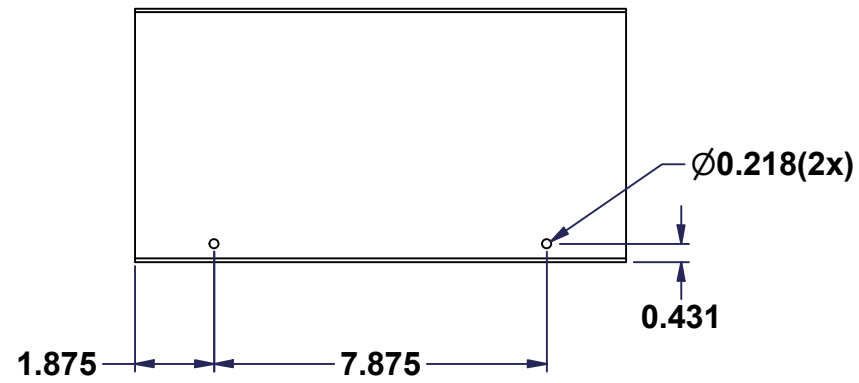
Description: 1412 SS6012 Cover Part	Detail Rev.
-------------------------------------	-------------

Part Number / Numéro Pièce: 1412SS6012C-P	Rev. 0	2 / 4
---	--------	-------

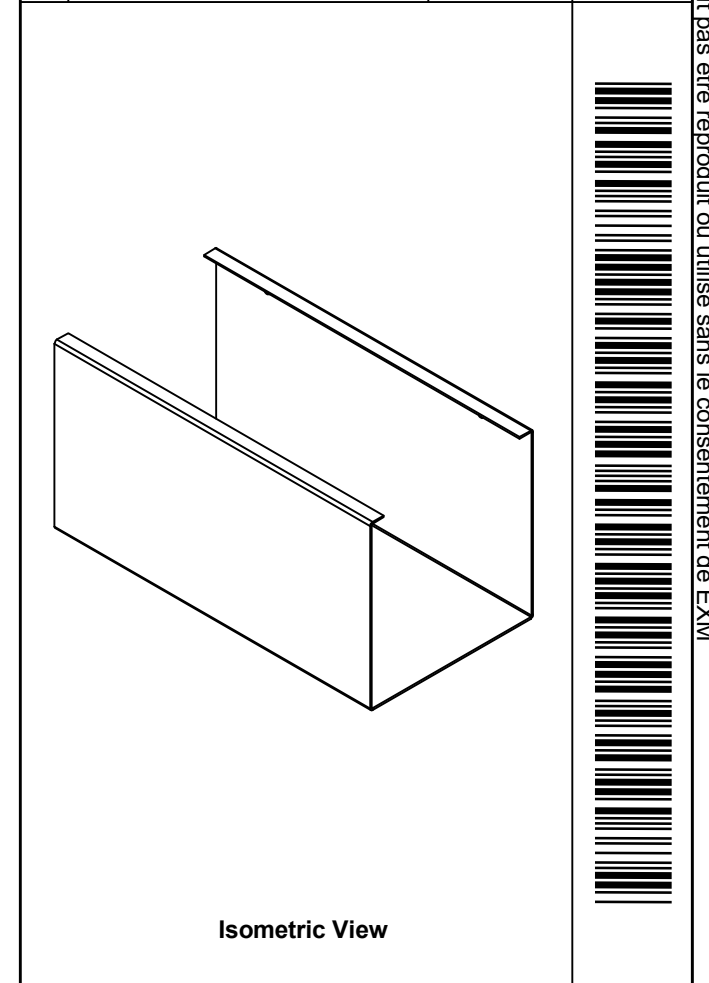
**APPROVED FOR PRODUCTION**  
**APPROUVÉ POUR PRODUCTION**  
 SIGNATURE: \_\_\_\_\_  
 NAME / NOM: \_\_\_\_\_  
 DATE: \_\_\_\_\_  
 Please visit: [www.boxcadexm.com](http://www.boxcadexm.com)


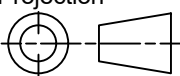
This drawing is confidential and must not be reproduced or used without the consent of EXM

Ce dessin est confidentiel et ne doit pas être reproduit ou utilisé sans le consentement de EXM



No.	Revisions	Date	By/Par

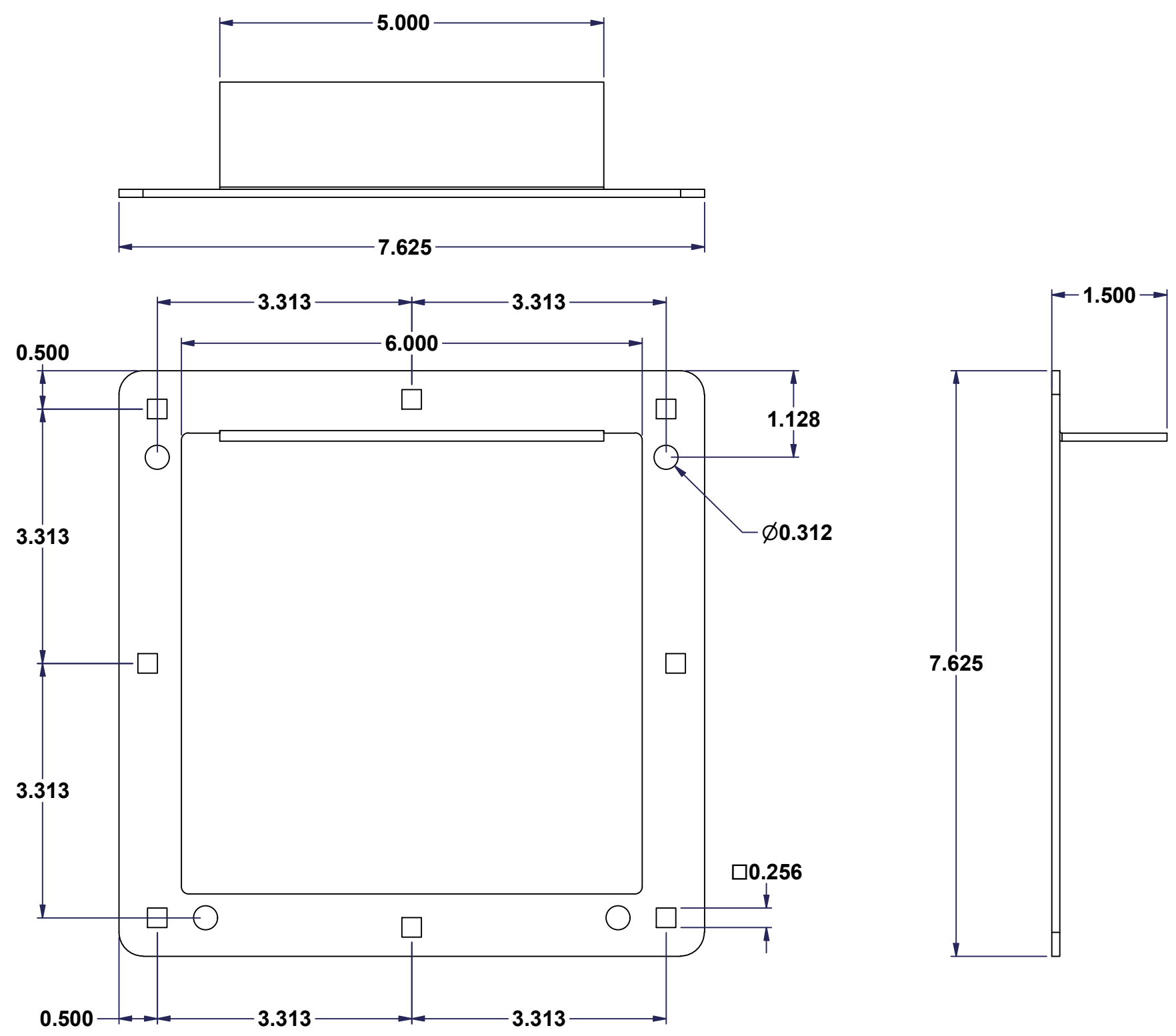


 Tél: (450) 979-4373 Fax: (450) 979-4626 <a href="http://www.exmweb.com">www.exmweb.com</a>		Flatness Aplatissement Max 3.0mm Projection 
Customer Client	Date	
Drawn By Dessiné Par: Hunter	Date	12-Oct-22
Material Matière: 16 Ga Cold Rolled A1008 CS Type B (1.4mm)		
Color Couleur: Asa-61 Grey	Finish Fini: Smooth	
Description 1412 SS6012 Body Part		Detail Rev.
Part Number Numéro Pièce: <b>1412SS6012B-P</b>	Rev. <b>0</b>	3/4

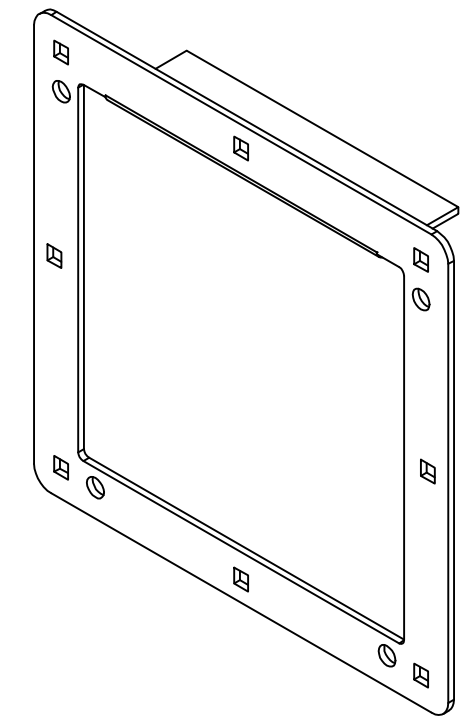
**APPROVED FOR PRODUCTION**  
**APPROUVÉ POUR PRODUCTION**  
 SIGNATURE: \_\_\_\_\_  
 NAME / NOM: \_\_\_\_\_  
 DATE: \_\_\_\_\_  
 Please visit: [www.boxcadexm.com](http://www.boxcadexm.com)

This drawing is confidential and must not be reproduced or used without the consent of EXM

Ce dessin est confidentiel et ne doit pas être reproduit ou utilisé sans le consentement de EXM



No.	Revisions	Date	By/Par



Isometric View



Tel: (450) 979-4373  
 Fax: (450) 979-4626  
[www.exmweb.com](http://www.exmweb.com)

Flatness  
Aplatissement  
Max 3.0mm  
Projection

Customer Client	Date
Drawn By / Dessiné Par: Hunter	Date: 12-Oct-22
Material / Matière: 12 Ga Cold Rolled A1008 CS Type B (2.5mm)	
Color / Couleur: Asa-61 Grey	Finish / Fini: Smooth
Description: Box Connector - Part	Detail Rev.
Part Number / Numéro Pièce: 1412SS6012BC-P	Rev. 0

**APPROVED FOR PRODUCTION**  
**APPROUVÉ POUR PRODUCTION**  
 SIGNATURE: \_\_\_\_\_  
 NAME / NOM: \_\_\_\_\_  
 DATE: \_\_\_\_\_  
 Please visit: [www.boxcadexm.com](http://www.boxcadexm.com)

4 / 4