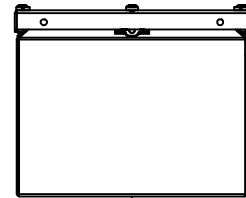
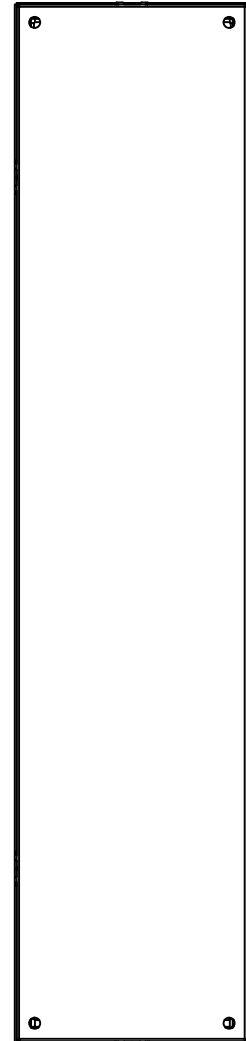


This drawing is confidential and must not be reproduced or used without the consent of EXM

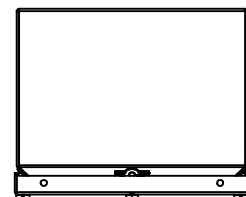
Ce dessin est confidentiel et ne doit pas être reproduit ou utilisé sans le consentement de EXM



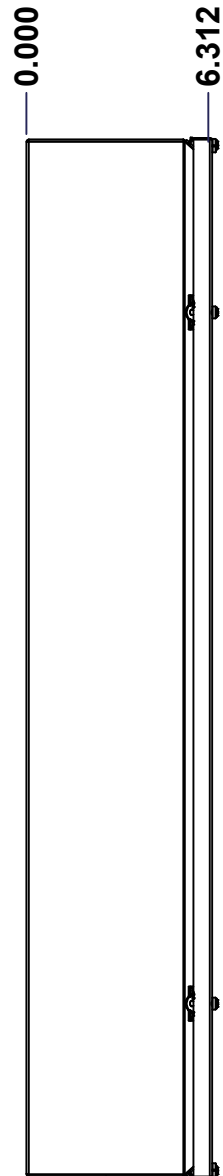
TOP



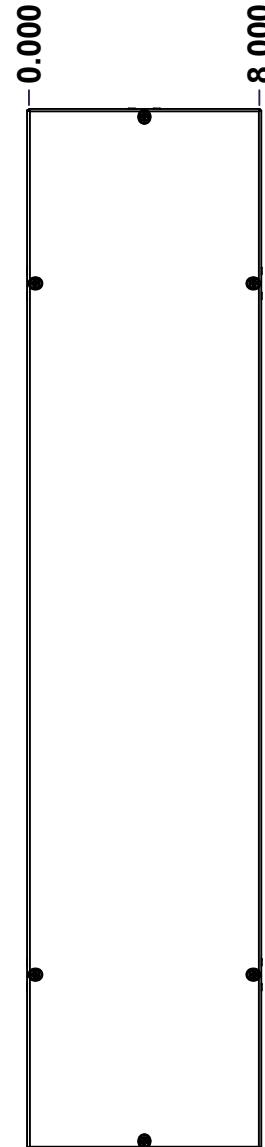
BACK



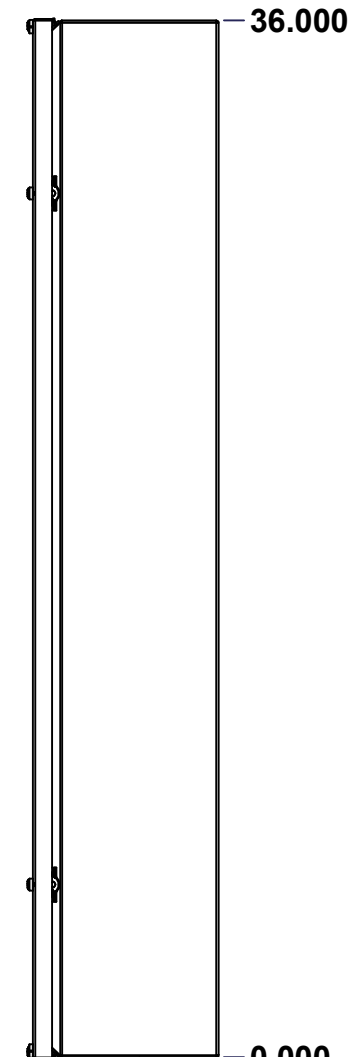
BOTTOM



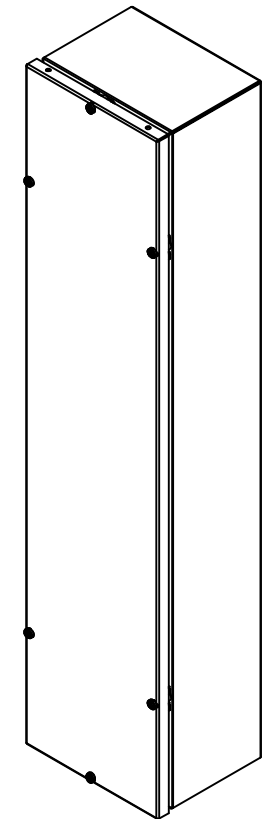
LEFT



FRONT



RIGHT


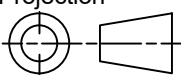


Isometric View



**APPROVED FOR PRODUCTION**  
**APPROUVÉ POUR PRODUCTION**  
 SIGNATURE: \_\_\_\_\_  
 NAME / NOM: \_\_\_\_\_  
 DATE: \_\_\_\_\_  
 Please visit: [www.boxcadexm.com](http://www.boxcadexm.com)

No.	Revisions	Date	By/Par

 Tél: (450) 979-4373 Fax: (450) 979-4626 <a href="http://www.exmweb.com">www.exmweb.com</a>		Flatness Aplatissement Max 3.0mm Projection 
Customer Client	Date	
Drawn By Dessiné Par	BoxCad: ZinH	Date 2022/7/20
Material Matière	16 Ga H.R.P. & O. (1.4mm)	
Color Couleur	Asa-61 Grey	Finish Fini Smooth
Description	Detail Rev.	
1412T3203 Assembly		
Part Number Numéro Pièce	Rev.	1 5
<b>1412T3203</b>	<b>0</b>	

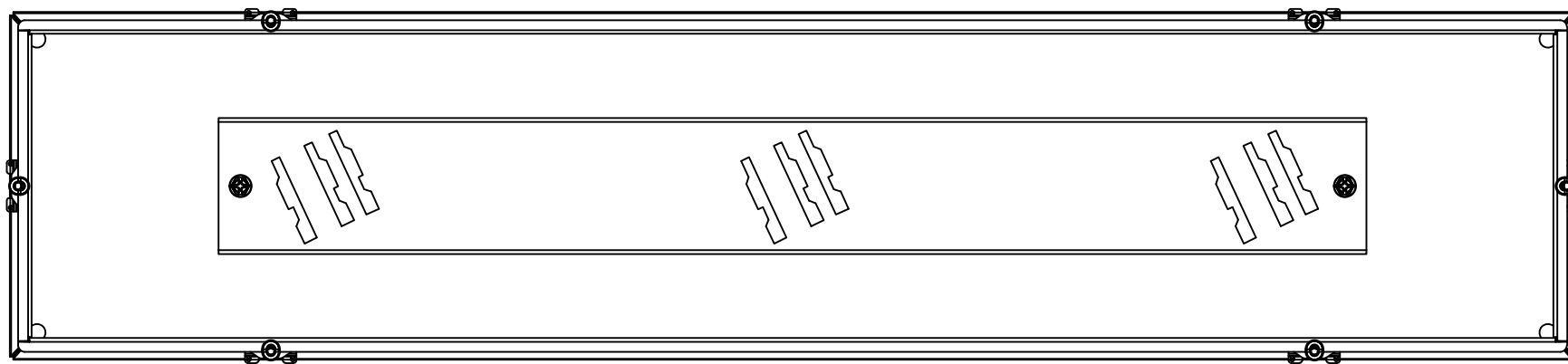
This drawing is confidential and must not be reproduced or used without the consent of EXM

Ce dessin est confidentiel et ne doit pas être reproduit ou utilisé sans le consentement de EXM

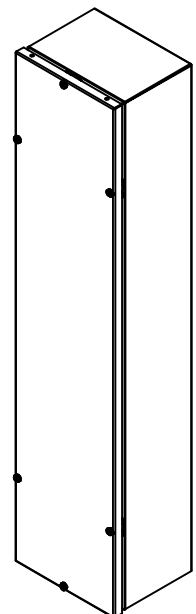
NOTE	
ITEM	DESCRIPTION
1	NEMA/EEMAC 3R-4-12 Enclosure
2	C/W Standard ground standoffs on box and cover
3	W/O Standard door stiffener
4	C/W Inner panel
5	C/W Inner panel mounting standoffs

**APPROVED FOR PRODUCTION**  
**APPROUVÉ POUR PRODUCTION**  
 SIGNATURE: \_\_\_\_\_  
 NAME / NOM: \_\_\_\_\_  
 DATE: \_\_\_\_\_  
 Please visit: [www.boxcadexm.com](http://www.boxcadexm.com)

No.	Revisions	Date	By/Par



**View Without Cover**



**Isometric View**



**EXM**  
**exm**  
 Tél: (450) 979-4373  
 Fax: (450) 979-4626  
[www.exmweb.com](http://www.exmweb.com)

Flatness  
 Aplatissement  
 Max 3.0mm  
 Projection

Customer Client \_\_\_\_\_ Date \_\_\_\_\_  
 Drawn By Dessiné Par BoxCad: ZinH Date 2022/7/20

Material Matière 16 Ga H.R.P. & O. (1.4mm)

Color Couleur Asa-61 Grey Finish Fini Smooth

Description 1412T3203 Assembly Detail Rev. \_\_\_\_\_

Part Number Numéro Pièce **1412T3203** Rev. **0** 2/5

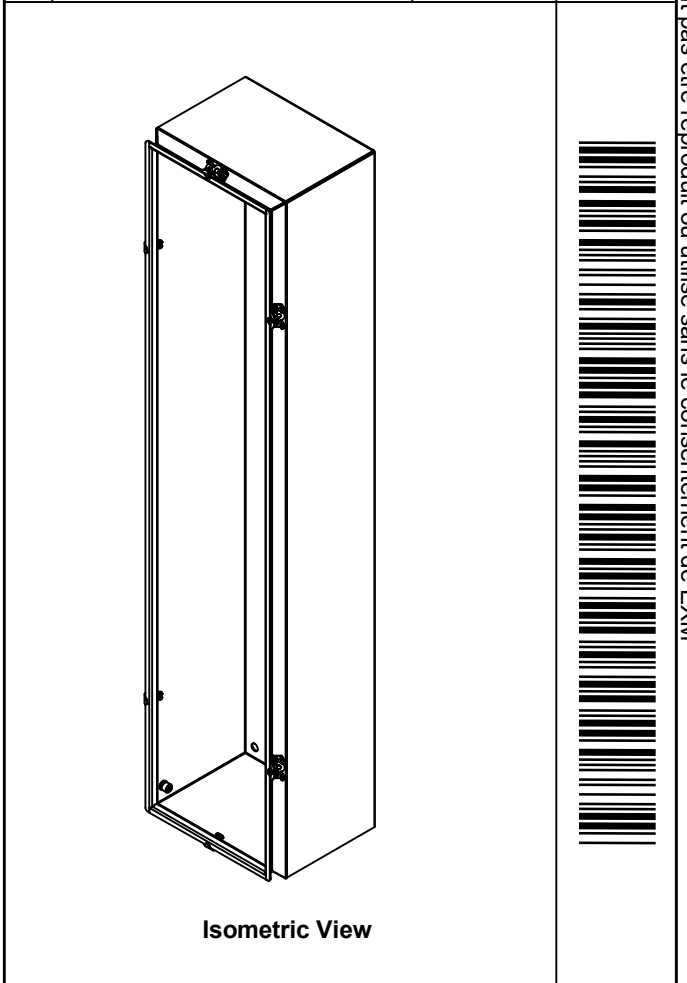
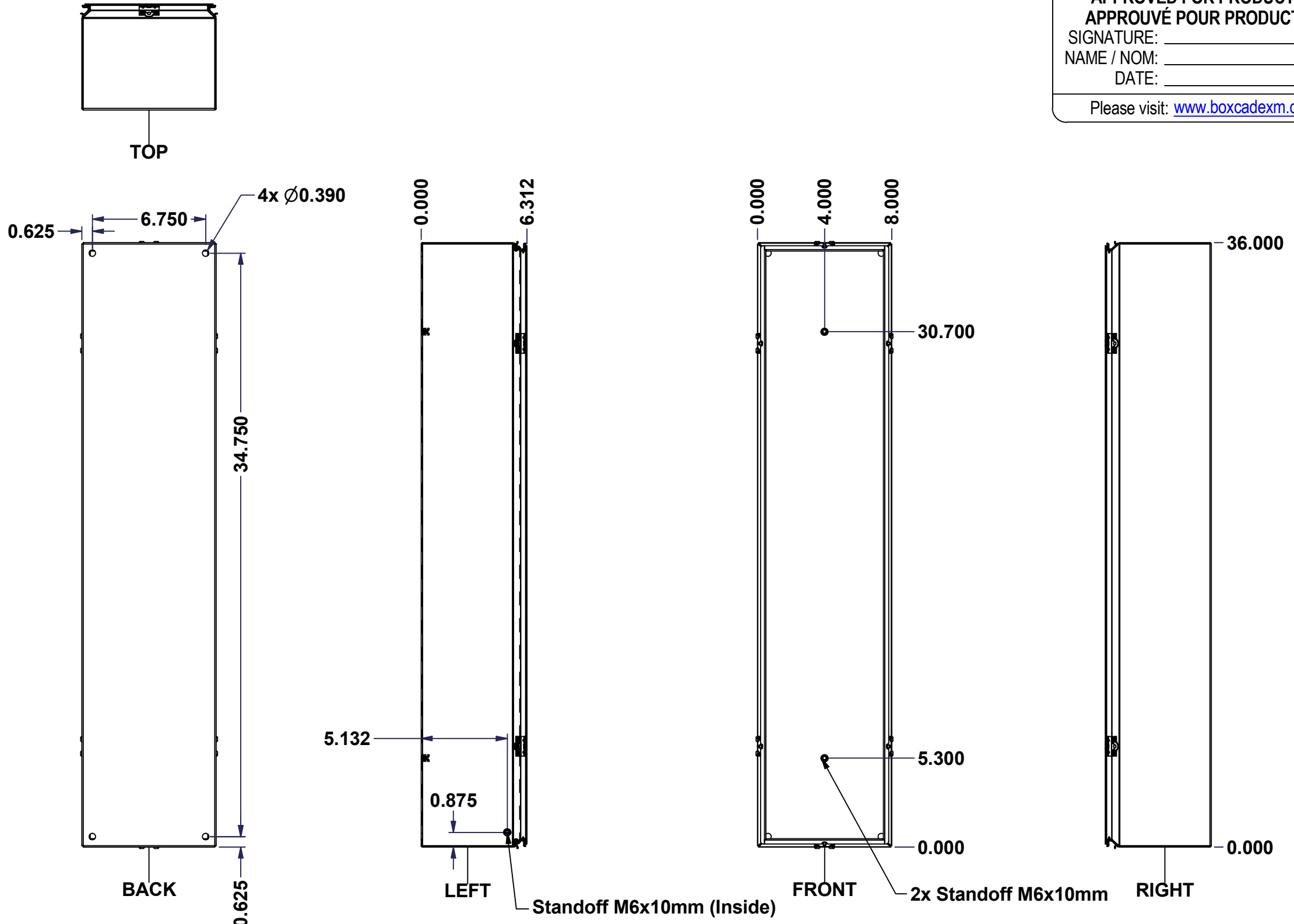
1	STK-K-02910	3	5412 ESCH Accessory Kit
2	STK-Q-03200	0	M6 x 8mm Hexagon/Slot Screw
1	1412T3203IP	0	1412T3203 Inner Panel
6	STK-Q-03035	4	Stainless Steel 316 Phillips Oval Head Screw M5 x 18.5mm (Pitch 0.8mm)
6	STK-Q-77280	5	5412 ESSC M5 Countersink Insert (Flat Hole)
1	1412T3203C	0	1412T3203 Cover
1	1412T3203B	0	1412T3203 Body
Qty	Part Number	Rev.	Description
Parts List			

This drawing is confidential and must not be reproduced or used without the consent of EXM

Ce dessin est confidentiel et ne doit pas être reproduit ou utilisé sans le consentement de EXM

**APPROVED FOR PRODUCTION**  
**APPROUVÉ POUR PRODUCTION**  
 SIGNATURE: \_\_\_\_\_  
 NAME / NOM: \_\_\_\_\_  
 DATE: \_\_\_\_\_  
 Please visit: [www.boxcadexm.com](http://www.boxcadexm.com)

No.	Revisions	Date	By/Par



**EXM**  
 Tél: (450) 979-4373  
 Fax: (450) 979-4626  
[www.exmweb.com](http://www.exmweb.com)

Flatness  
 Aplatissement  
 Max 3.0mm  
 Projection

Customer Client \_\_\_\_\_ Date \_\_\_\_\_  
 Drawn By Dessiné Par BoxCad: ZinH Date 2022/7/20

Material Matière 16 Ga H.R.P. & O. (1.4mm)

Color Couleur Asa-61 Grey Finish Fini Smooth

Description 1412T3203 Body Detail Rev. \_\_\_\_\_

Part Number Numéro Pièce **1412T3203B** Rev. 0 3 5

Qty	Part Number	Rev.	Description
1	STK-P-02400S	0	Powder Paint (Asa-61 Grey / Smooth)
3	STANDOFF_M6 x 10mm	5	Standoff M6 x 10mm
1	STK-Q-08100-4	1	M5 Nylon Insert Lock Nut
3	STK-Q-08100-3	1	M5 Nylon Insert Lock Nut
1	STK-Q-08100-2	1	M5 Nylon Insert Lock Nut
1	STK-Q-08100-1	1	M5 Nylon Insert Lock Nut
1	1412T3203B-P	0	1412T3203 Body Part
6	DEV-STK-Q-70464	2	5412 ESSC & ESSC Stainless Steel Body Catch Assembly

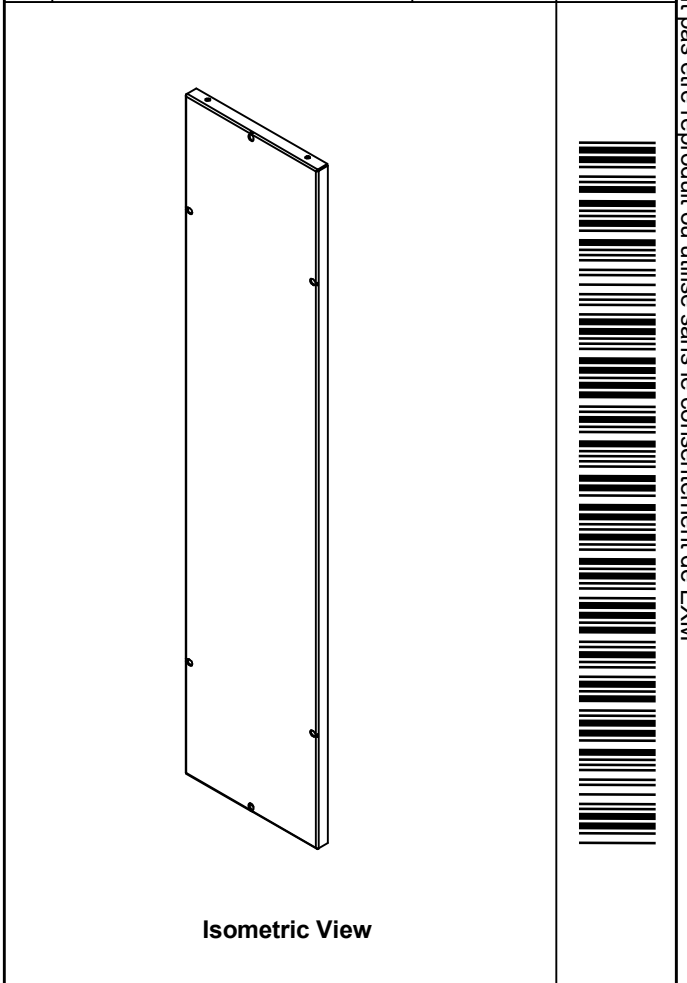
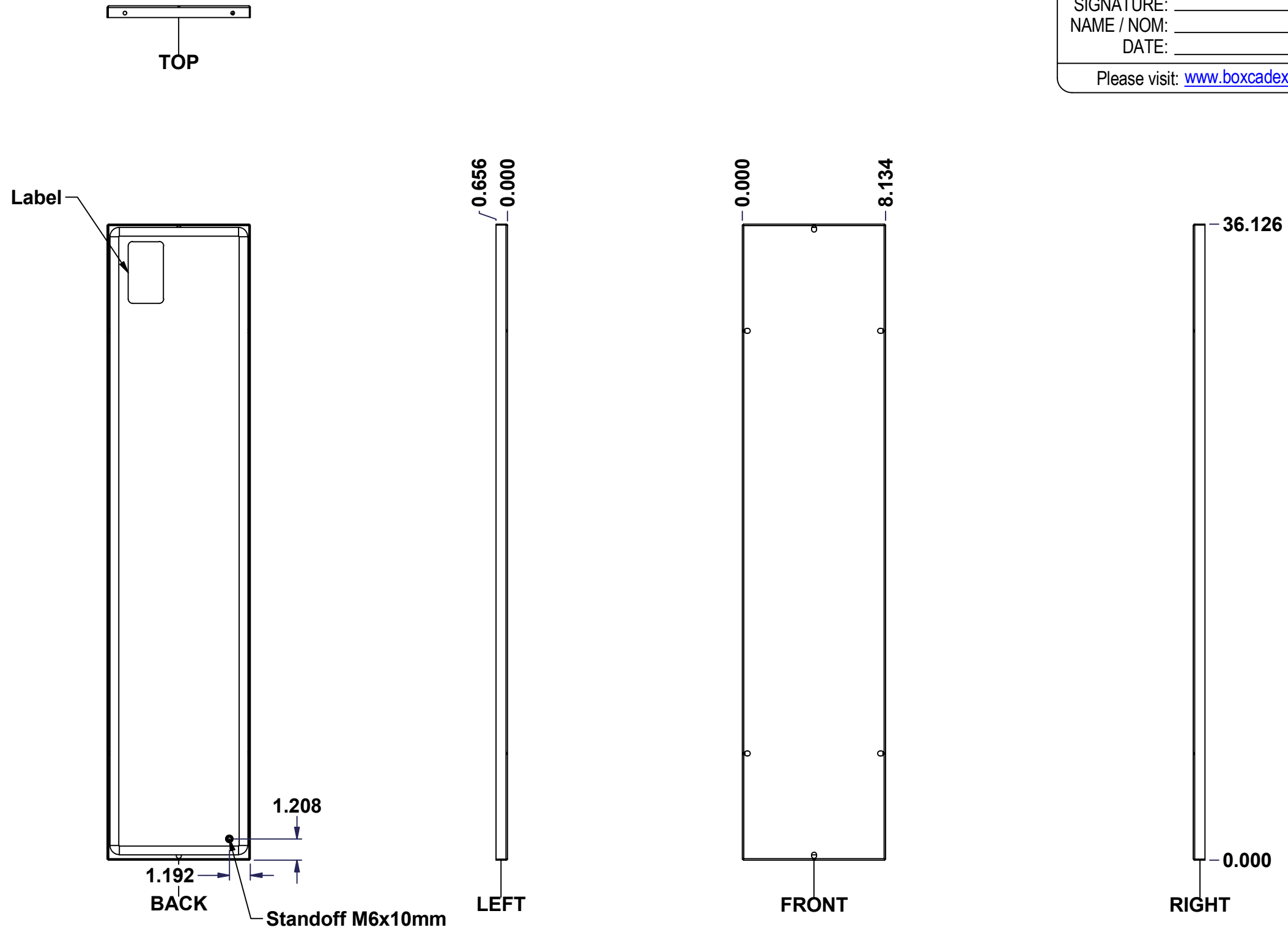
Parts List


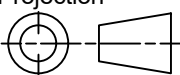
This drawing is confidential and must not be reproduced or used without the consent of EXM

Ce dessin est confidentiel et ne doit pas être reproduit ou utilisé sans le consentement de EXM

**APPROVED FOR PRODUCTION**  
**APPROUVÉ POUR PRODUCTION**  
 SIGNATURE: \_\_\_\_\_  
 NAME / NOM: \_\_\_\_\_  
 DATE: \_\_\_\_\_  
 Please visit: [www.boxcadexm.com](http://www.boxcadexm.com)

No.	Revisions	Date	By/Par



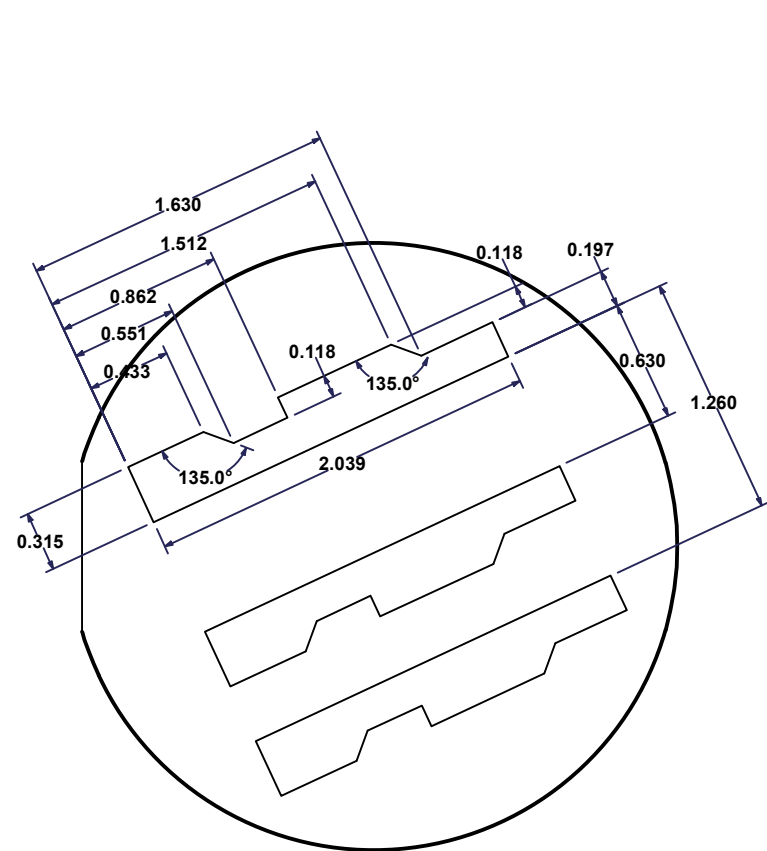
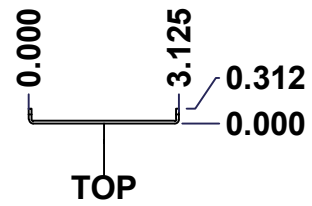
 Tél: (450) 979-4373 Fax: (450) 979-4626 <a href="http://www.exmweb.com">www.exmweb.com</a>		Flatness Aplatissement Max 3.0mm Projection 
Customer Client	Date	
Drawn By / Dessiné Par: BoxCad: ZinH	Date: 2022/7/20	
Material / Matière: 16 Ga H.R.P. & O. (1.4mm)	Color / Couleur: Asa-61 Grey	
	Finish / Fini: Smooth	
Description: 1412T3203 Cover		Detail Rev.
Part Number / Numéro Pièce: <b>1412T3203C</b>		Rev. 4
		5

Qty	Part Number	Rev.	Description
1	STK-P-02400S	0	Powder Paint (Asa-61 Grey / Smooth)
1	STK-S-00100	0	3.5" x 2" Silver Milar Flexcon Sticker
1	STANDOFF_M6 x 10mm	5	Standoff M6 x 10mm
1	1412T3203G	0	1412T3203 Gasket
1	1412T3203C-P	0	1412T3203 Cover Part

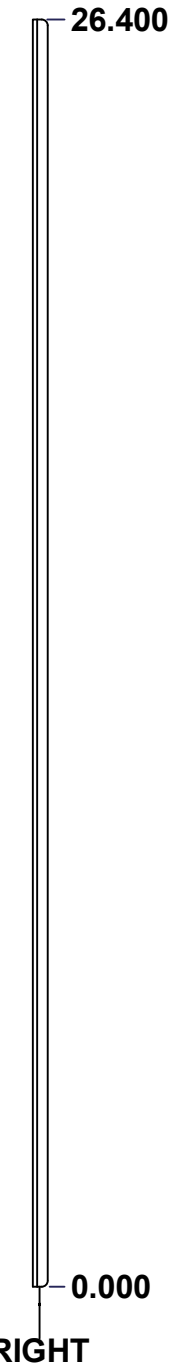
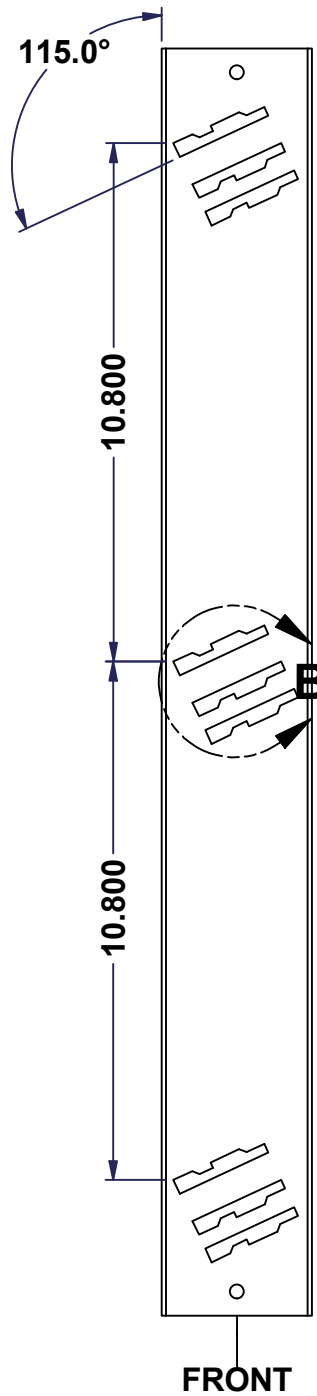
Parts List

This drawing is confidential and must not be reproduced or used without the consent of EXM

Ce dessin est confidentiel et ne doit pas être reproduit ou utilisé sans le consentement de EXM



**DETAIL B**



**APPROVED FOR PRODUCTION**  
**APPROUVÉ POUR PRODUCTION**  
 SIGNATURE: \_\_\_\_\_  
 NAME / NOM: \_\_\_\_\_  
 DATE: \_\_\_\_\_  
 Please visit: [www.boxcadexm.com](http://www.boxcadexm.com)

No.	Revisions	Date	By/Par

**Isometric View**

Tél: (450) 979-4373 Fax: (450) 979-4626 <a href="http://www.exmweb.com">www.exmweb.com</a>		Flatness Aplatissement Max 3.0mm Projection 
Customer Client	Date	
Drawn By Dessiné Par	BoxCad: Patrick Deschênes	Date 2020/10/21
Material Matière	16 Ga Galvanized (1.4mm)	
Color Couleur	Unpainted	Finish Fini Galvanized
Description 1412T3203 Inner Panel		Detail Rev.
Part Number Numéro Pièce	<b>1412T3203IP</b>	Rev. 5 <b>0</b>

Qty	Part Number	Rev.	Description
1	1412T3203IP-P	0	1412T3203 Inner Panel

Parts List