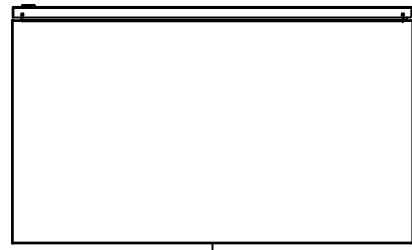
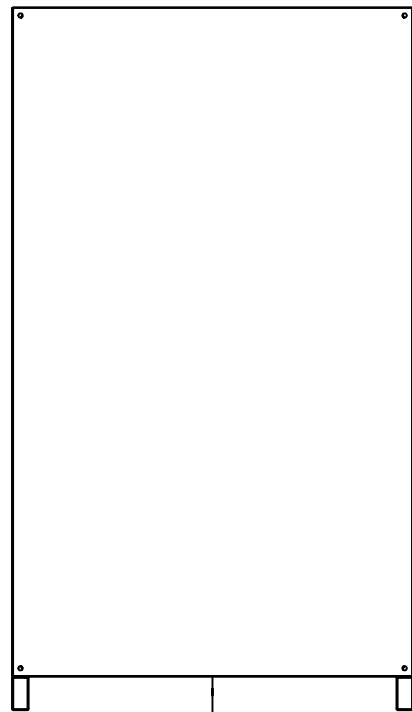


This drawing is confidential and must not be reproduced or used without the consent of EXM

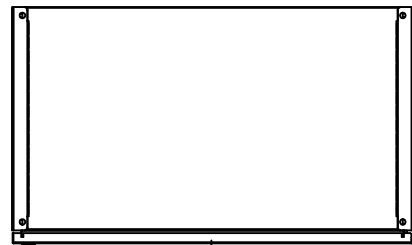
Ce dessin est confidentiel et ne doit pas être reproduit ou utilisé sans le consentement de EXM



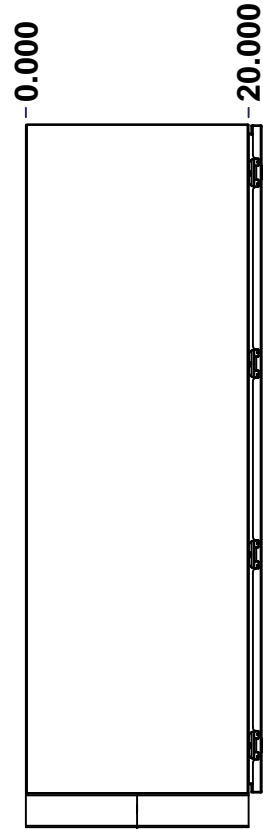
TOP



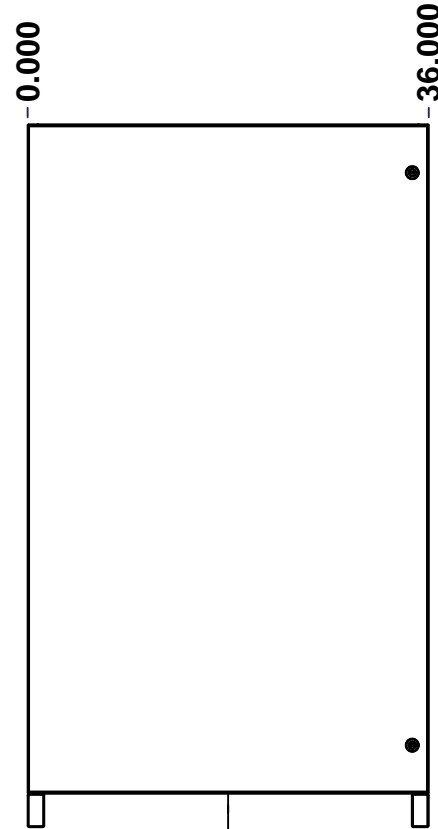
BACK



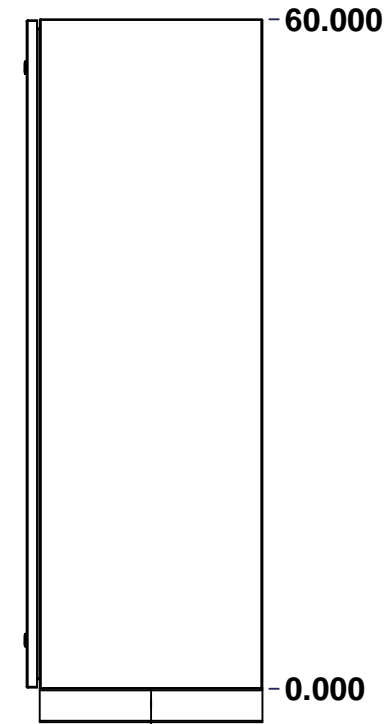
BOTTOM



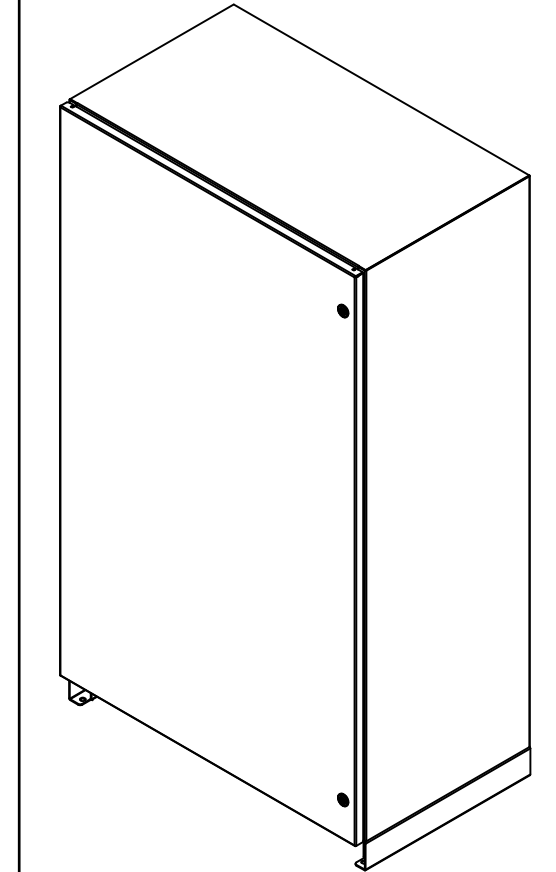
LEFT



FRONT





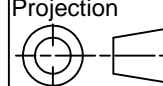
RIGHT



Isometric View



| No. | Revisions | Date | By/Par |
|-----|-----------|------|--------|
| | | | |
| | | | |
| | | | |
| | | | |

| | | |
|--|---------------------------|---|
|  Tél: (450) 979-4373 Fax: (450) 979-4626 www.exmweb.com | | Flatness Aplatissement  Max 3.0mm Projection  |
| Customer Client | Date | |
| Drawn By Dessiné Par | BoxCad: Annie | Date 04/02/2015 |
| Material Matière | 14 Ga H.R.P. & O. (1.7mm) | |
| Color Couleur | Asa-61 Grey | Finish Fini Smooth |
| Description | Detail Rev. | |
| 5100ES 60" x 36" x 20" Assembly | | |
| Part Number Numéro Pièce | Rev. 0 | 1 2 |
| 5100ESFS603620 | | |

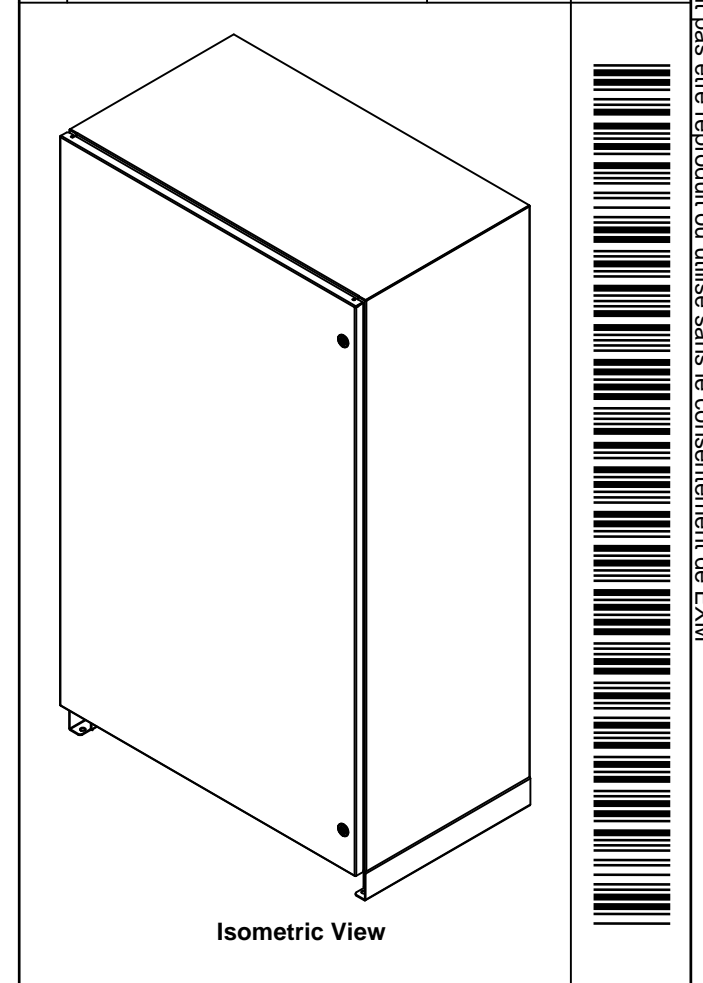
SEE BILL OF MATERIAL ON LAST PAGE


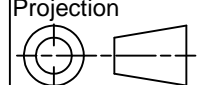
This drawing is confidential and must not be reproduced or used without the consent of EXM

Ce dessin est confidentiel et ne doit pas être reproduit ou utilisé sans le consentement de EXM

| NOTE | |
|------|--|
| ITEM | DESCRIPTION |
| 1 | NEMA 1 Enclosure |
| 2 | C/W Standard ground studs on box and cover |
| 3 | W/O Standard door stiffener |
| 4 | C/W Standard inner panel (Sold seperately) |
| 5 | C/W Standard inner panel mounting studs |
| 6 | C/W Mounting feet sold seperately (Welded) |

| No. | Revisions | Date | By/Par |
|-----|-----------|------|--------|
| | | | |
| | | | |
| | | | |
| | | | |
| | | | |
| | | | |

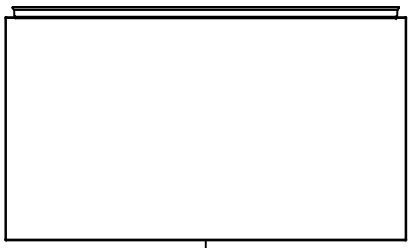


| | | |
|--|---------------------------|---|
|  Tél: (450) 979-4373 Fax: (450) 979-4626 www.exmweb.com | | Flatness Aplatissement Max 3.0mm Projection  |
| Customer Client | Date | |
| Drawn By Dessiné Par | BoxCad: Annie | Date 04/02/2015 |
| Material Matière | 14 Ga H.R.P. & O. (1.7mm) | |
| Color Couleur | Asa-61 Grey | Finish Fini Smooth |
| Description | Detail Rev. | |
| 5100ES 60" x 36" x 20" Assembly | | |
| Part Number Numéro Pièce | Rev. 0 | 2 |
| 5100ESFS603620 | | 2 |

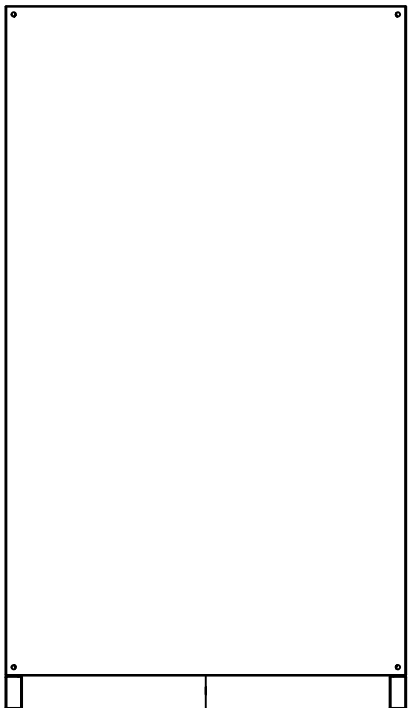
| Qty | Part Number | Rev | Description |
|------------|-----------------|-----|--|
| 1 | STK-K-03000 | 1 | 5100 ES Accessory Kit |
| 1 | 881 SP6036 | 0 | 881 SP - Inner Panel |
| 1 | 5100ESFS603620C | 0 | 5100ES 60" x 36" Cover |
| 8 | STK-Q-07310 | 2 | Flange Lock Nut M8 |
| 1 | 5100ESFS603620B | 0 | 5100ES 60" x 36" x 20" Body |
| 8 | STK-Q-07610 | 7 | M8 Plastic Spacer 22.2mm |
| 4 | STK-Q-04050-07 | 5 | M6 x 7mm Hexagon Socket Head Machine Screw with Nyseal |
| Parts List | | | |

This drawing is confidential and must not be reproduced or used without the consent of EXM

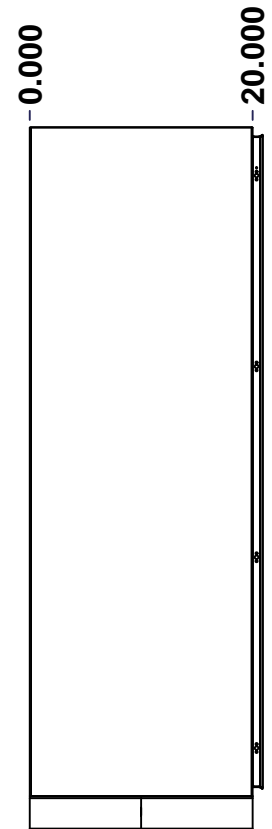
Ce dessin est confidentiel et ne doit pas être reproduit ou utilisé sans le consentement de EXM



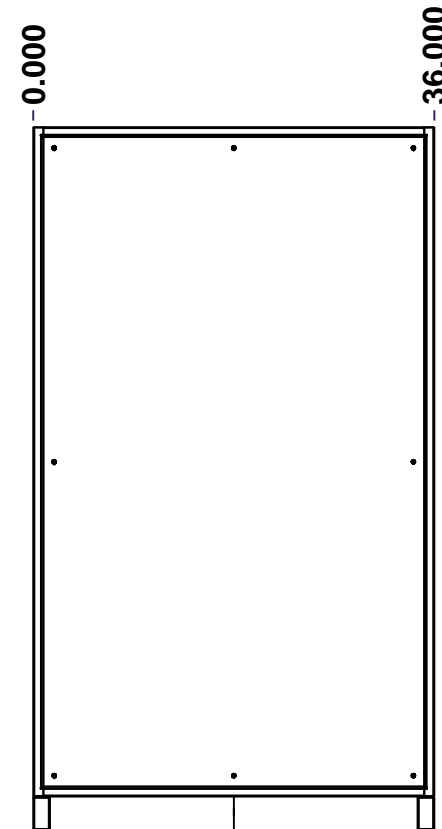
TOP



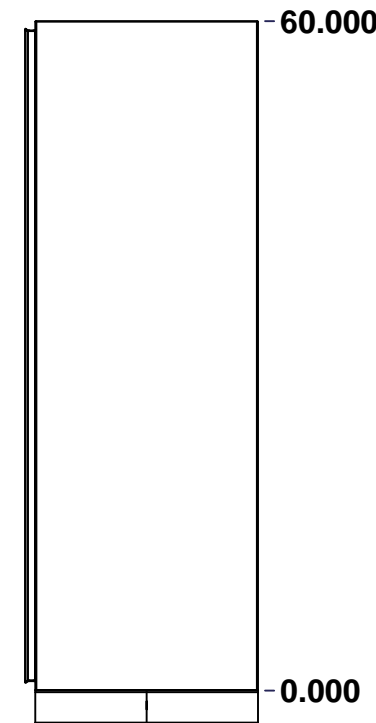
BACK



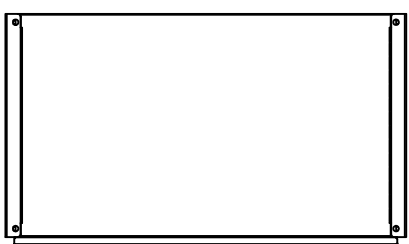
LEFT



FRONT

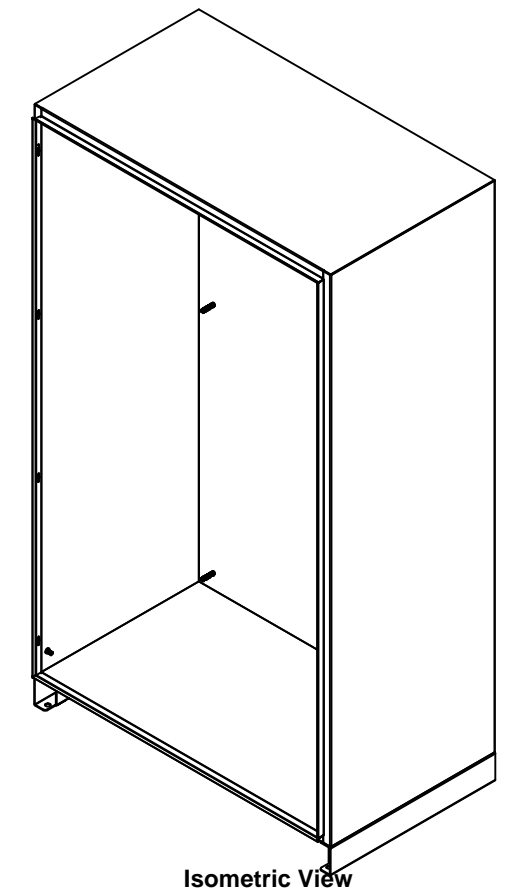


RIGHT




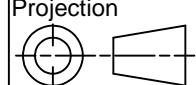
BOTTOM

| No. | Revisions | Date | By/Par |
|-----|-----------|------|--------|
| | | | |
| | | | |
| | | | |
| | | | |



Isometric View



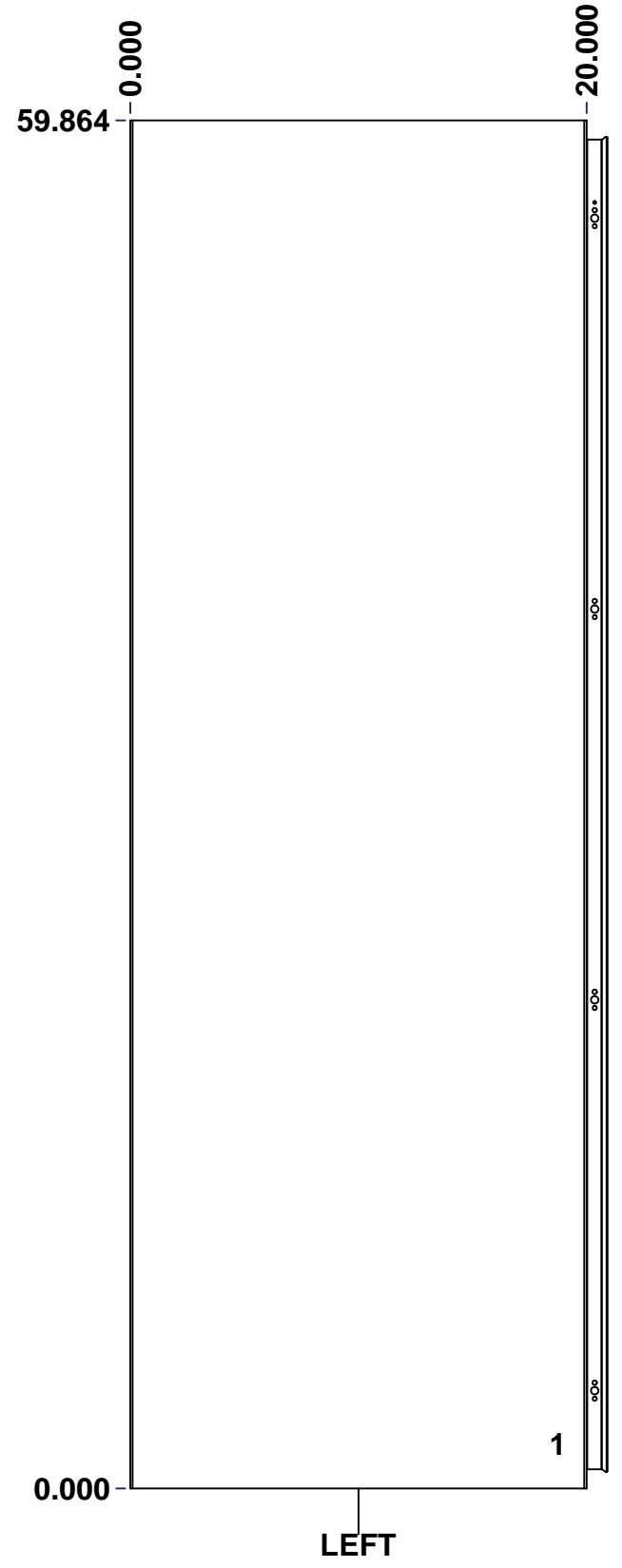
| | | |
|--|---------------------------|---|
|  Tél: (450) 979-4373 Fax: (450) 979-4626 www.exmweb.com | | Flatness Aplatissement Max 3.0mm Projection  |
| Customer Client | Date | |
| Drawn By Dessiné Par | BoxCad: Annie | Date 04/02/2015 |
| Material Matière | 14 Ga H.R.P. & O. (1.7mm) | |
| Color Couleur | Asa-61 Grey | Finish Fini Smooth |
| Description | Detail Rev. | |
| 5100ES 60" x 36" x 20" Body | | |
| Part Number Numéro Pièce | Rev. | |
| 5100ESFS603620B | 0 | 1 / 7 |

SEE BILL OF MATERIAL ON LAST PAGE

This drawing is confidential and must not be reproduced or used without the consent of EXM

Ce dessin est confidentiel et ne doit pas être reproduit ou utilisé sans le consentement de EXM

| STANDARD FEATURES ARE NOT LISTED IN THIS HOLE TABLE | | | |
|--|--------|-------|-----------------------------|
| HOLE TABLE - LEFT VIEW (CUSTOM FEATURE ONLY) | | | |
| CUT-OUT | XDIM | YDIM | DESCRIPTION |
| 1 | 18.500 | 1.932 | GND STUD M6 x 16mm (Inside) |



| | | | |
|--|-----------------------------|----------|-------|
| | Description | Status | |
| | 5100ES 60" x 36" x 20" Body | | |
| | Part Number Numéro Pièce | Rev. | |
| | 5100ESFS603620B | 0 | 5 / 7 |

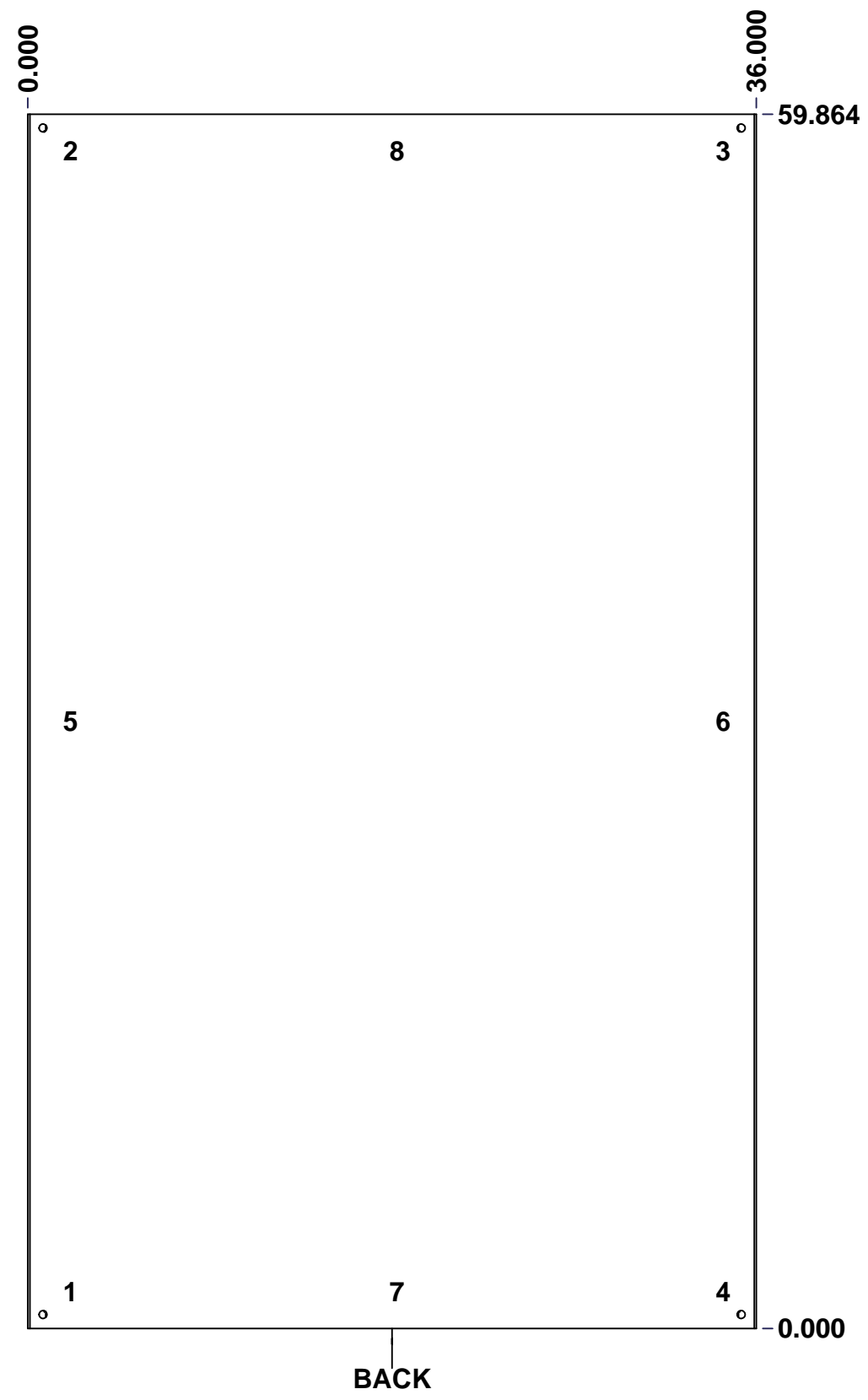
This drawing is confidential and must not be reproduced or used without the consent of EXM

Ce dessin est confidentiel et ne doit pas être reproduit ou utilisé sans le consentement de EXM

STANDARD FEATURES ARE NOT LISTED IN THIS HOLE TABLE

HOLE TABLE - BACK VIEW (CUSTOM FEATURE ONLY)

| CUT-OUT | XDIM | YDIM | DESCRIPTION |
|---------|--------|--------|----------------------------|
| 1 | 1.875 | 1.807 | IP STUD M8 x 35mm (Inside) |
| 2 | 1.875 | 58.057 | IP STUD M8 x 35mm (Inside) |
| 3 | 34.125 | 58.057 | IP STUD M8 x 35mm (Inside) |
| 4 | 34.125 | 1.807 | IP STUD M8 x 35mm (Inside) |
| 5 | 1.875 | 29.932 | IP STUD M8 x 35mm (Inside) |
| 6 | 34.125 | 29.932 | IP STUD M8 x 35mm (Inside) |
| 7 | 18.000 | 1.807 | IP STUD M8 x 35mm (Inside) |
| 8 | 18.000 | 58.057 | IP STUD M8 x 35mm (Inside) |



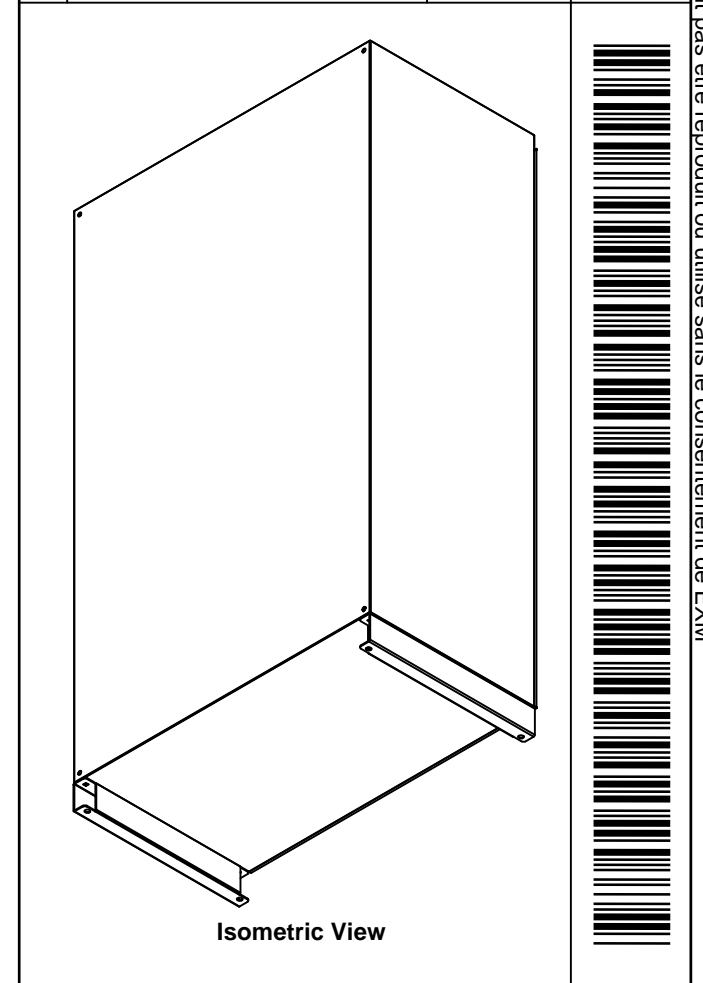
BACK

| | | | |
|--|-----------------------------|----------|-------|
| | Description | Status | |
| | 5100ES 60" x 36" x 20" Body | | |
| | Part Number Numéro Pièce | Rev. | |
| | 5100ESFS603620B | 0 | 6 / 7 |

This drawing is confidential and must not be reproduced or used without the consent of EXM

Ce dessin est confidentiel et ne doit pas être reproduit ou utilisé sans le consentement de EXM

| No. | Revisions | Date | By/Par |
|-----|-----------|------|--------|
| | | | |
| | | | |
| | | | |
| | | | |
| | | | |

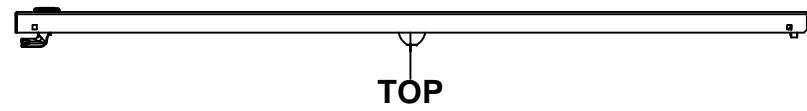


| | | | |
|--|--|---------------------------|-----------------------|
| Tél: (450) 979-4373 Fax: (450) 979-4626 www.exmweb.com | | Flatness Aplatissement | |
| | | Max 3.0mm Projection | |
| Customer Client | | Date | |
| Drawn By Dessiné Par BoxCad: Annie | | Date 04/02/2015 | |
| Material Matière | | 14 Ga H.R.P. & O. (1.7mm) | |
| Color Couleur | | Asa-61 Grey | Finish Fini Smooth |
| Description | | Detail Rev. | |
| 5100ES 60" x 36" x 20" Body | | | |
| Part Number Numéro Pièce | | Rev. | 7 |
| 5100ESFS603620B | | 0 | 7 |

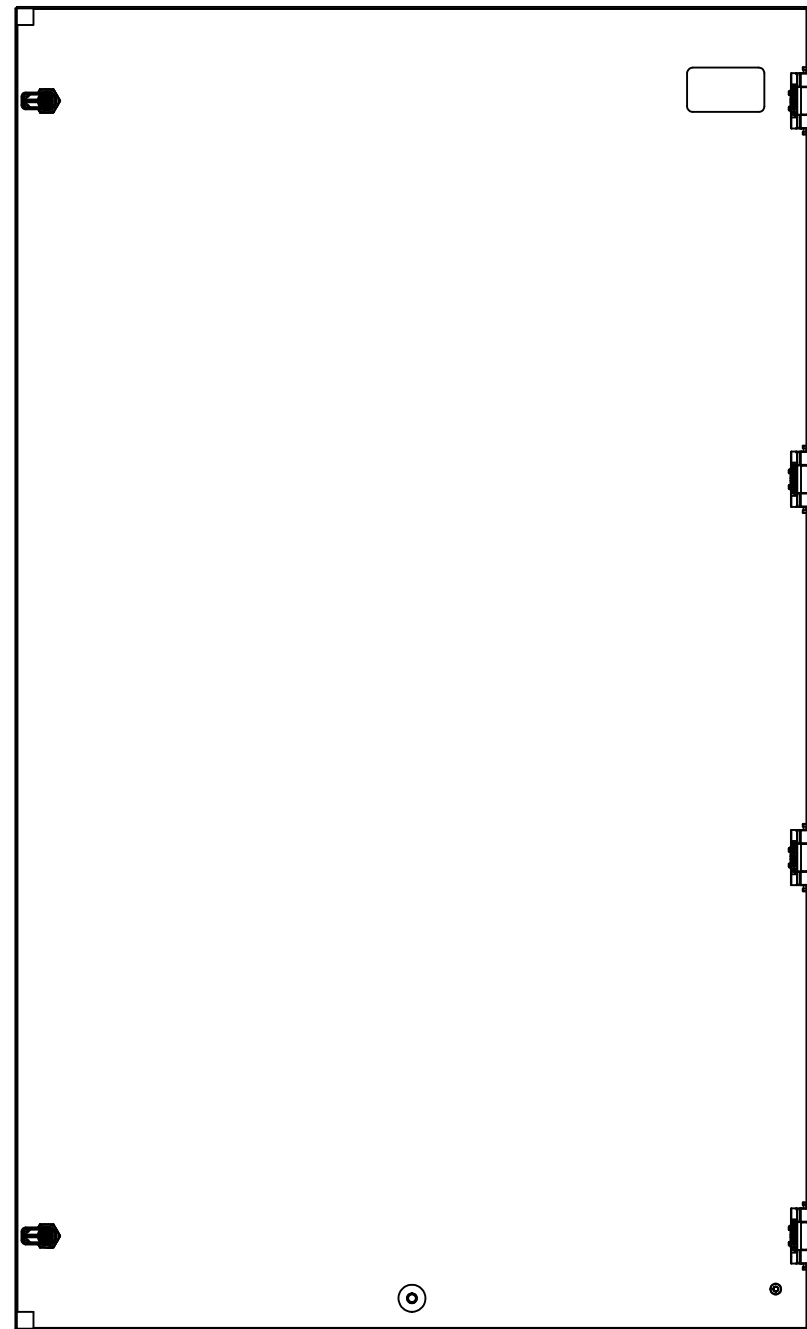
| Qty | Part Number | Rev | Description |
|------------|--------------------|-------|--------------------------------------|
| 1 | 5100ESFS603620MF | 0 | 880 MFT 20" Mounting Feet |
| 1 | STK-P-02400S | 0 | Powder Paint (Asa-61 Grey / Smooth) |
| 8 | STK-Q-16005 | 1 | Stud M8 x 35 (No Paint Cap Required) |
| 1 | STK-Q-16080 | 0.1.1 | M6 x 16mm Ground Stud |
| 1 | 5100ESFS603620BT-P | 0 | 5100ES 60" x 36" x 20" Body Part |
| 1 | 5100ESFS603620T-P | 0 | 5100ES 60" x 36" x 20" Body Part |
| 1 | 5100ESFS603620B-P | 0 | 5100ES 60" x 36" x 20" Body Part |
| Parts List | | | |

This drawing is confidential and must not be reproduced or used without the consent of EXM

Ce dessin est confidentiel et ne doit pas être reproduit ou utilisé sans le consentement de EXM



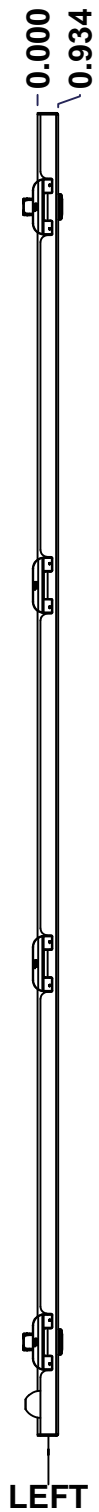
TOP



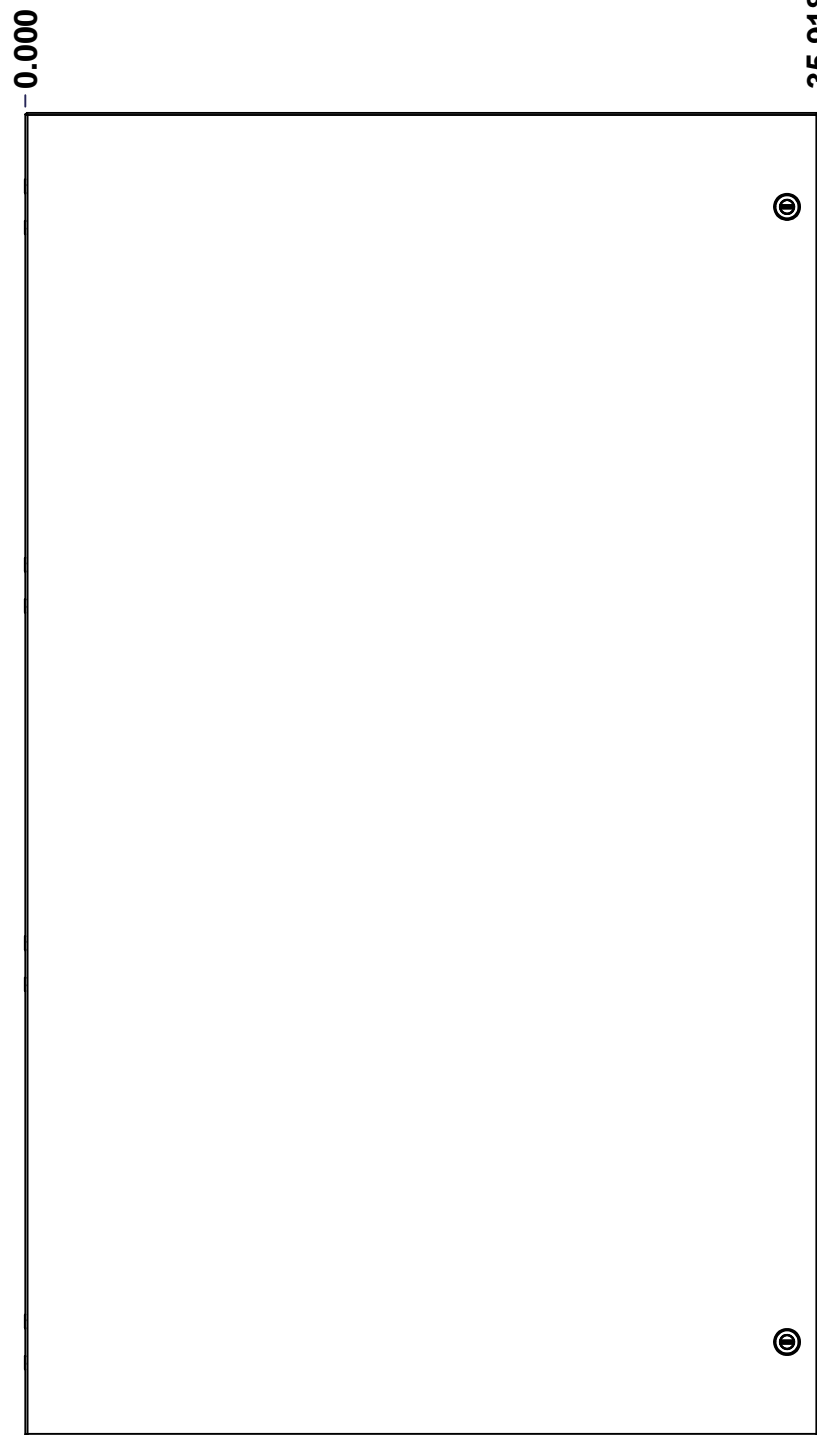
BACK



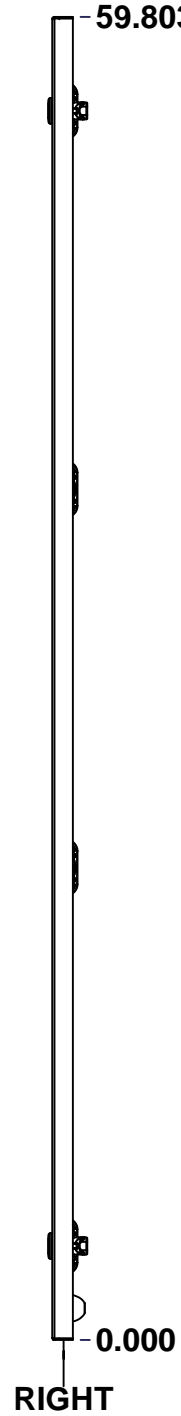
BOTTOM



LEFT



FRONT



RIGHT

| No. | Revisions | Date | By/Par |
|-----|-----------|------|--------|
| | | | |
| | | | |
| | | | |
| | | | |

Isometric View

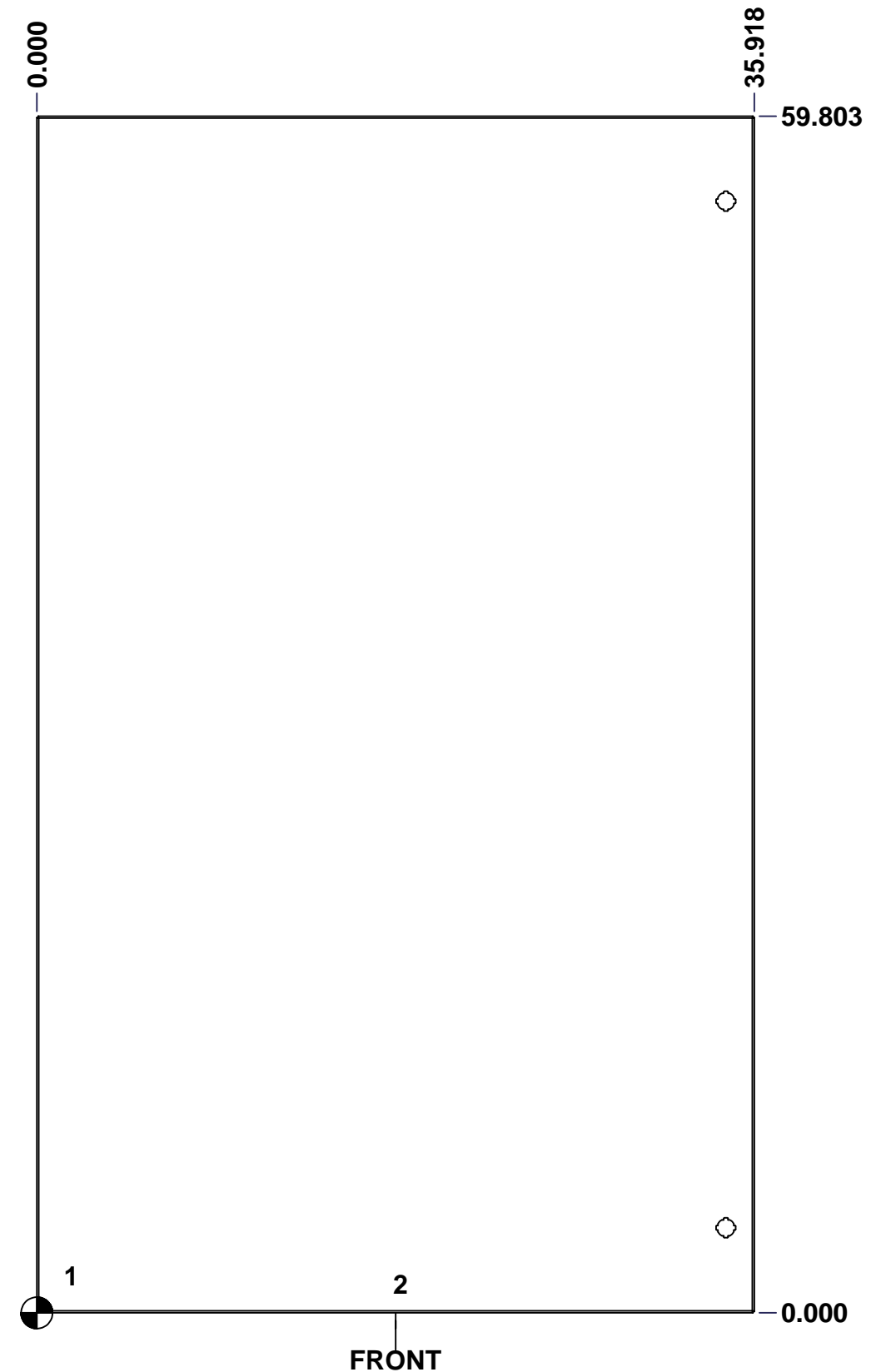
| | | | |
|---|--|---------------------------|--------|
| <p>Tél: (450) 979-4373 Fax: (450) 979-4626 www.exmweb.com</p> | | Flatness Aplatissement | |
| | | Max 3.0mm | |
| Customer Client | | Projection | |
| Date | | | |
| Drawn By Dessiné Par | | Date | |
| BoxCad: Annie | | 04/02/2015 | |
| Material Matière | | 14 Ga H.R.P. & O. (1.7mm) | |
| Color Couleur | | Finish Fini | |
| Asa-61 Grey | | Smooth | |
| Description | | Detail Rev. | |
| 5100ES 60" x 36" Cover | | | |
| Part Number Numéro Pièce | | Rev. | |
| 5100ESFS603620C | | 0 | 1 3 |

SEE BILL OF MATERIAL ON LAST PAGE

This drawing is confidential and must not be reproduced or used without the consent of EXM

Ce dessin est confidentiel et ne doit pas être reproduit ou utilisé sans le consentement de EXM

| STANDARD FEATURES ARE NOT LISTED IN THIS HOLE TABLE | | | |
|---|--------|-------|-----------------------------|
| HOLE TABLE - FRONT VIEW (CUSTOM FEATURE ONLY) | | | |
| CUT-OUT | XDIM | YDIM | DESCRIPTION |
| 1 | 1.486 | 1.850 | GND STUD M6 x 16mm (Inside) |
| 2 | 17.959 | 1.435 | STUD M6 x 18mm (Inside) |



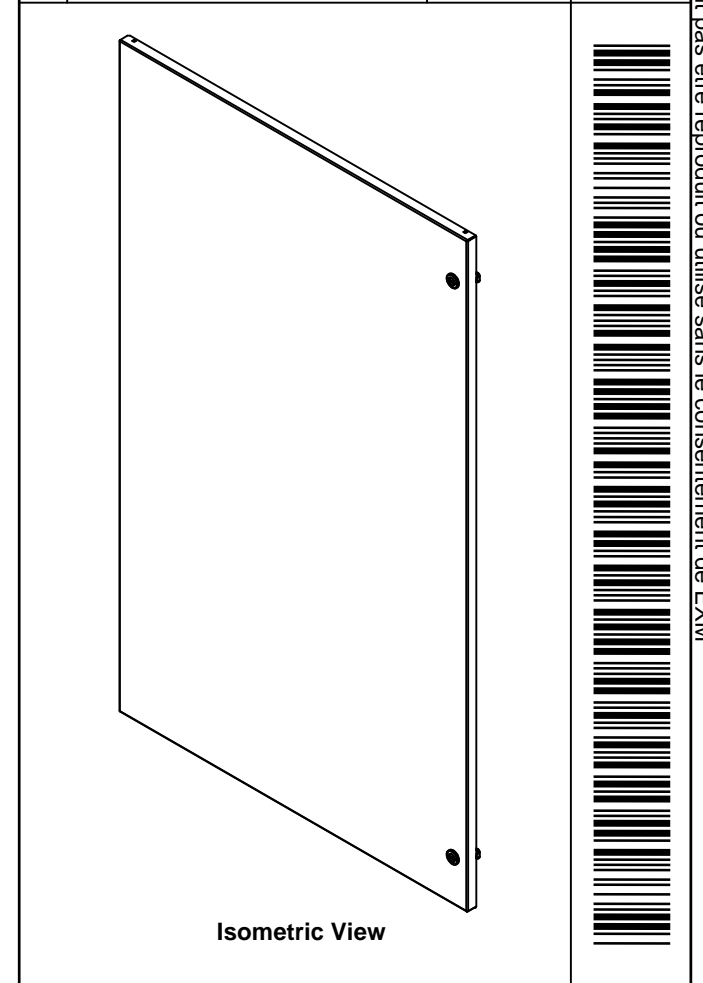
FRONT

| | | | |
|--|-----------------------------|----------|--------|
| | Description | Status | |
| | 5100ES 60" x 36" Cover | (NULL) | |
| | Part Number Numéro Pièce | Rev. | |
| | 5100ESFS603620C | 0 | 2 3 |


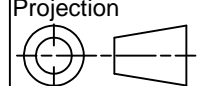
This drawing is confidential and must not be reproduced or used without the consent of EXM

Ce dessin est confidentiel et ne doit pas être reproduit ou utilisé sans le consentement de EXM

| No. | Revisions | Date | By/Par |
|-----|-----------|------|--------|
| | | | |
| | | | |
| | | | |
| | | | |
| | | | |

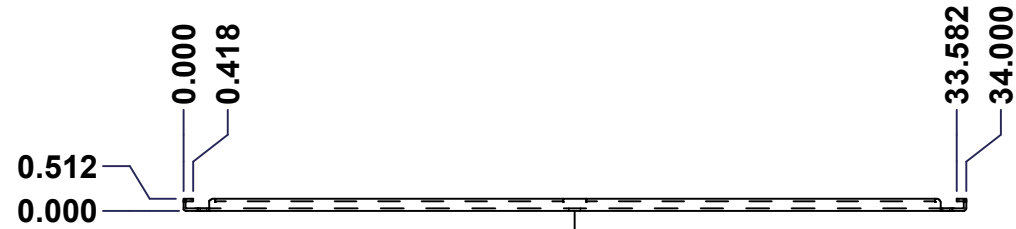


| Qty | Part Name | Rev | Description |
|------------|-------------------|-------|---|
| 1 | STK-P-02400S | 0 | Powder Paint (Asa-61 Grey / Smooth) |
| 1 | STK-Q-16055 | 1 | M6 x 18mm Stud (No Paint Cap Required) |
| 1 | STK-Q-16080 | 0.1.1 | M6 x 16mm Ground Stud |
| 1 | STK-S-00100 | 0.1.1 | 3.5" x 2" Silver Milar Flexcon Sticker |
| 1 | STK-Q-46515 | 3 | 5412 ES Door Support with Brass Insert |
| 2 | STK-G-00350 | 1 | Rubber Gasket 3/4" x 3/4" x 7/32" |
| 1 | 5100ESFS603620C-P | 0 | 5100ES 60" x 36" Cover Part |
| 4 | STK-K-09800 | 5 | 5412 ES Hinge with 2 Captive Hinge Pins |
| 2 | 880 SCQ4-SL | 0 | 5412 ES 1/4 Turn Lock |
| Parts List | | | |

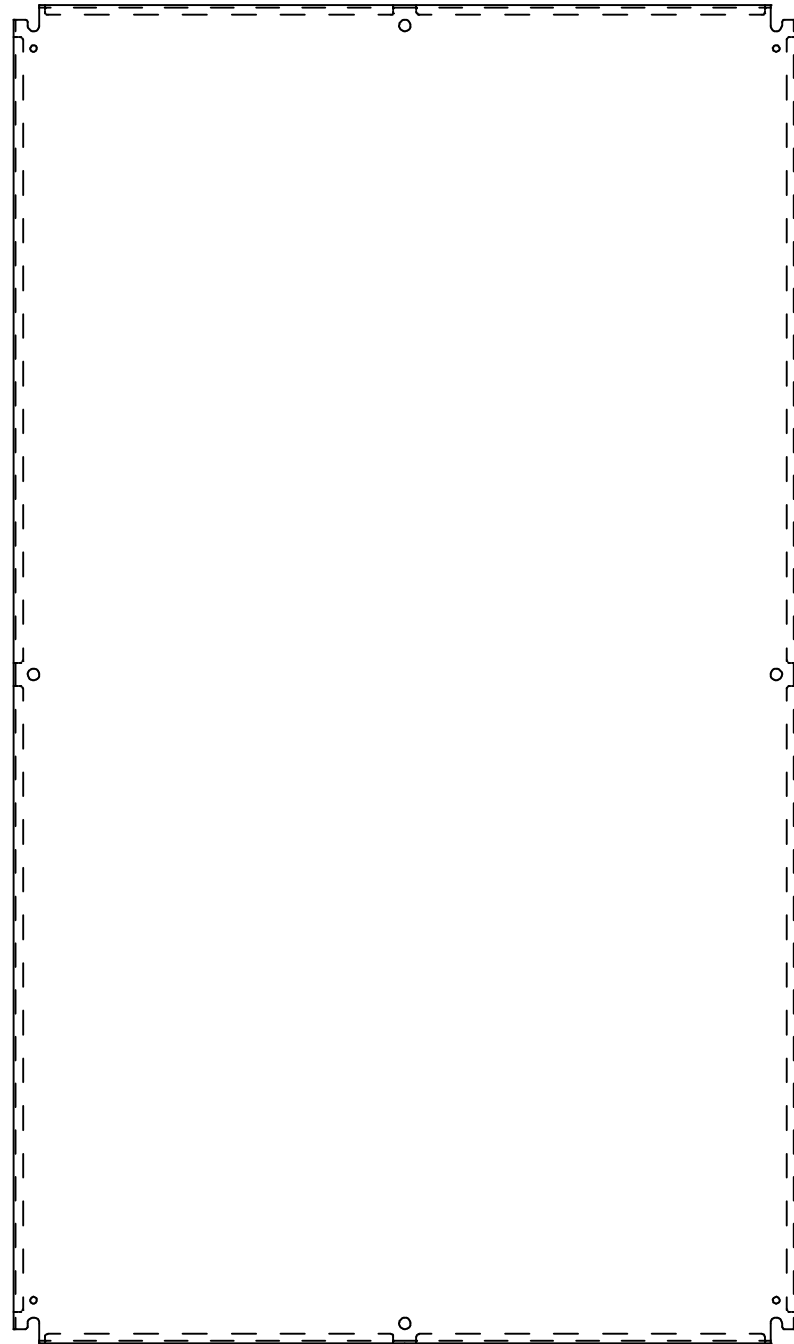
| | | |
|--|---------------------------|---|
|  Tél: (450) 979-4373 Fax: (450) 979-4626 www.exmweb.com | | Flatness Aplatissement Max 3.0mm Projection  |
| Customer Client | Date | |
| Drawn By Dessiné Par | BoxCad: Annie | Date 04/02/2015 |
| Material Matière | 14 Ga H.R.P. & O. (1.7mm) | |
| Color Couleur | Asa-61 Grey | Finish Fini Smooth |
| Description | | Detail Rev. |
| 5100ES 60" x 36" Cover | | |
| Part Number Numéro Pièce | Rev. 3 | 3 |
| 5100ESFS603620C | 0 | |

This drawing is confidential and must not be reproduced or used without the consent of EXM

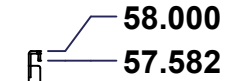
Ce dessin est confidentiel et ne doit pas être reproduit ou utilisé sans le consentement de EXM



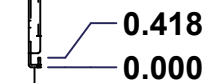
TOP



FRONT



RIGHT



| No. | Revisions | Date | By/Par |
|-----|-----------|------|--------|
| | | | |
| | | | |
| | | | |
| | | | |
| | | | |

Isometric View

| | | | |
|--|--|---------------------------|-------------------------------|
| Tél: (450) 979-4373 Fax: (450) 979-4626 www.exmweb.com | | Flatness Aplatissement | |
| | | Max 3.0mm | |
| Customer Client | | Date | |
| Drawn By Dessiné Par: BoxCad | | Date: 1/23/2007 | |
| Material Matière | | See Part List | |
| Color Couleur | | See Part List | Finish Fini: See Part List |
| Description 881 SP - Inner Panel | | | Detail Rev. |
| Part Number Numéro Pièce: 881 SP6036 | | | Rev. 1 0 |

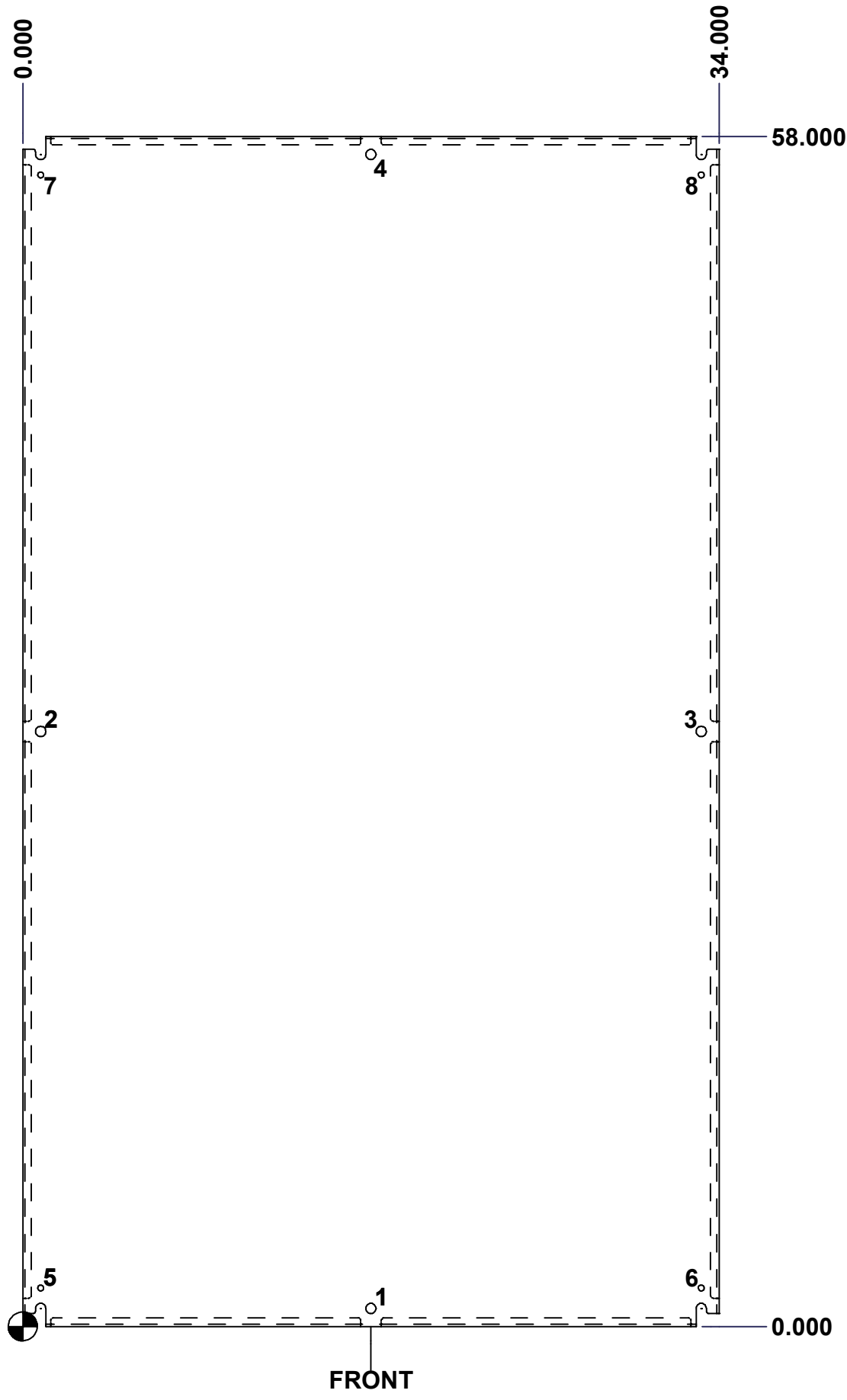
| Qty | Part Number | Rev | Description | Material | Color | Finish |
|-----|--------------|-----|-------------------------------|------------------------|---------------|--------|
| 1 | STK-P-02401S | 0 | Powder Paint (White / Smooth) | Polyester-Epoxy Hybrid | White RAL9003 | Smooth |
| 1 | 881 SP6036-P | 0 | 881 SP - Inner Panel Part | 12 Ga H.R.P. & O. | White | Smooth |

Parts List

This drawing is confidential and must not be reproduced or used without the consent of EXM

Ce dessin est confidentiel et ne doit pas être reproduit ou utilisé sans le consentement de EXM

| Table 1 | | | FRONT VIEW |
|---------|--------|--------|----------------------------|
| CUT-OUT | XDIM | YDIM | DESCRIPTION |
| 1 | 17.000 | 0.875 | MTG STUD HOLE (RND Ø0.500) |
| 2 | 0.875 | 29.000 | MTG STUD HOLE (RND Ø0.500) |
| 3 | 33.125 | 29.000 | MTG STUD HOLE (RND Ø0.500) |
| 4 | 17.000 | 57.125 | MTG STUD HOLE (RND Ø0.500) |
| 5 | 0.875 | 1.875 | GROUND HOLE (RND Ø0.290) |
| 6 | 33.125 | 1.875 | GROUND HOLE (RND Ø0.290) |
| 7 | 0.875 | 56.125 | GROUND HOLE (RND Ø0.290) |
| 8 | 33.125 | 56.125 | GROUND HOLE (RND Ø0.290) |



All knockouts are actual size / Les disques défonçables sont grandeur réel

| No. | Revisions | Date | By/Par |
|-----|-----------|------|--------|
| | | | |
| | | | |
| | | | |
| | | | |
| | | | |
| | | | |

Isometric View

| | | | | |
|--|--|--|--|--|
| | | Tél: (450) 979-4373 Fax: (450) 979-4626 www.exmweb.com | | Flatness Aplatissement Max 3.0mm |
| Customer Client | | Date | | Projection |
| Drawn By Dessiné Par | | BoxCad | | Date 1/23/2007 |
| Material Matière | | See Part List | | |
| Color Couleur | | See Part List | | Finish Fini See Part List |
| Description 881 SP - Inner Panel | | | | Detail Rev. |
| Part Number Numéro Pièce 881 SP6036 | | | | Rev. 2 0 |