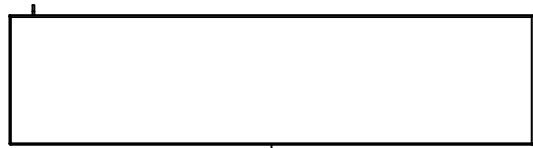
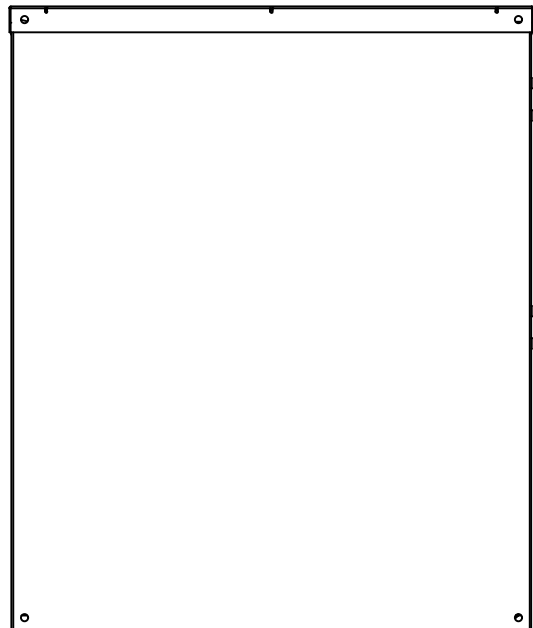


This drawing is confidential and must not be reproduced or used without the consent of EXM

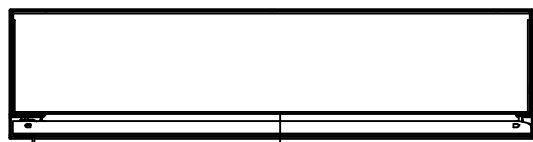
Ce dessin est confidentiel et ne doit pas être reproduit ou utilisé sans le consentement de EXM



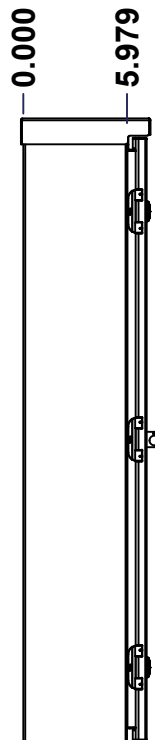
TOP



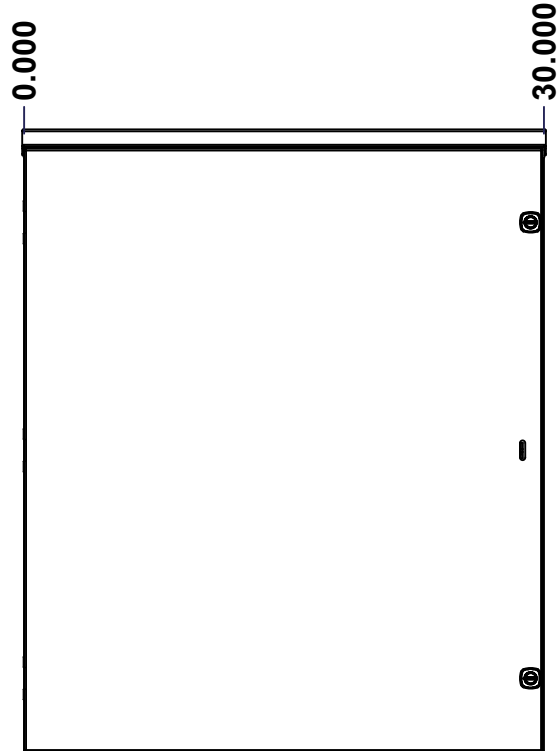
BACK



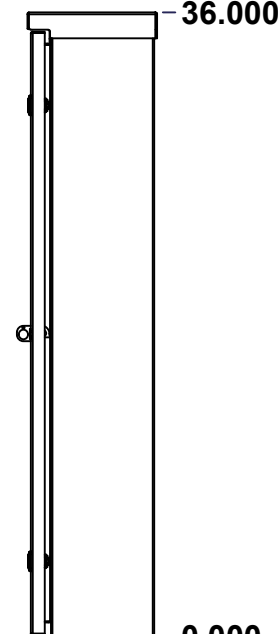
BOTTOM



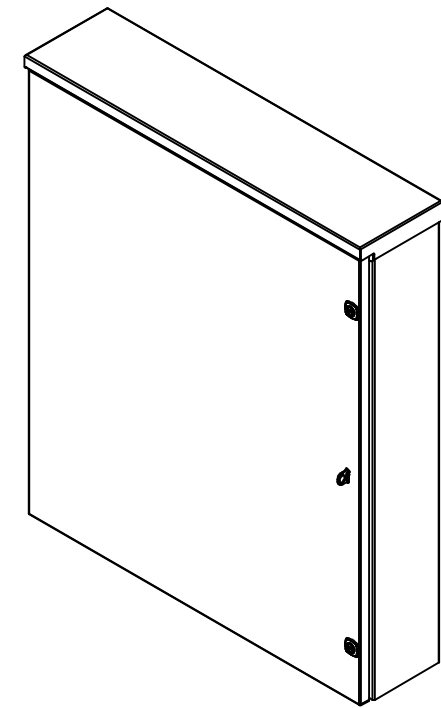
LEFT



FRONT




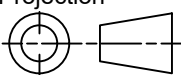
RIGHT



Isometric View



| No. | Revisions | Date | By/Par |
|-----|-----------|------|--------|
|     |           |      |        |
|     |           |      |        |
|     |           |      |        |
|     |           |      |        |

|  |                          |   |
|--|--------------------------|---|
|  Tél: (450) 979-4373<br>Fax: (450) 979-4626<br><a href="http://www.exmweb.com">www.exmweb.com</a> |                          | Flatness<br>Aplatissement<br>Max 3.0mm<br>Projection<br> |
| Customer Client  | Date                     |   |
| Drawn By<br>Dessiné Par  | BoxCad: BoxCad           | Date 01-Feb-22  |
| Material<br>Matière  | 14 Ga Galvanized (1.7mm) |   |
| Color<br>Couleur   | Asa-61 Grey              | Finish<br>Fini Smooth   |
| Description  | Detail Rev.              |   |
| 5300ESG 36" x 30" x 6" Assembly  |                          |   |
| Part Number<br>Numéro Pièce  | Rev. 0                   | 1 / 10  |

SEE BILL OF MATERIAL ON LAST PAGE

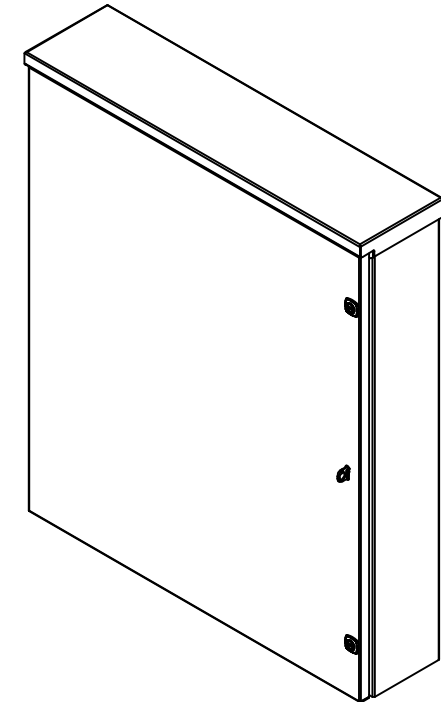
**5300ESG363006**

This drawing is confidential and must not be reproduced or used without the consent of EXM


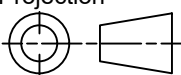
Ce dessin est confidentiel et ne doit pas être reproduit ou utilisé sans le consentement de EXM

| NOTE |  |
|------|--|
| ITEM | DESCRIPTION                                |
| 1    | NEMA 3/3R Enclosure                        |
| 2    | C/W Standard ground studs on box and cover |
| 3    | W/O Standard door stiffener                |
| 4    | W/O Inner panel                            |
| 5    | C/W Standard inner panel mounting studs    |
| 6    | C/W Padlock sold separately (Kit)          |

| No. | Revisions | Date | By/Par |
|-----|-----------|------|--------|
|     |           |      |        |
|     |           |      |        |
|     |           |      |        |
|     |           |      |        |
|     |           |      |        |
|     |           |      |        |



Isometric View

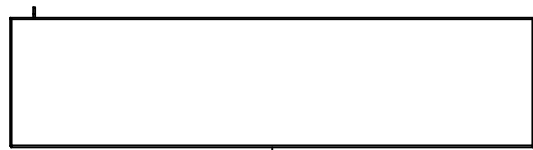
|  |                           |   |
|--|---------------------------|---|
|  Tél: (450) 979-4373<br>Fax: (450) 979-4626<br><a href="http://www.exmweb.com">www.exmweb.com</a> | Flatness<br>Aplatissement | Max 3.0mm   |
|  | Projection                |  |
| Customer Client  | Date                      |   |
| Drawn By<br>Dessiné Par  | BoxCad: BoxCad            | Date 01-Feb-22  |
| Material<br>Matière  | 14 Ga Galvanized (1.7mm)  |   |
| Color<br>Couleur   | Asa-61 Grey               | Finish<br>Fini Smooth   |
| Description  | Detail Rev.               |   |
| 5300ESG 36" x 30" x 6" Assembly  |                           |   |
| Part Number<br>Numéro Pièce  | Rev.                      | 2   |
| <b>5300ESG363006</b>   | <b>0</b>                  | 10  |

| PACKING               |     |  |
|-----------------------|-----|--|
| ITEM                  | QTY | DESCRIPTION                                |
| Cardboard sleeve      | 2   | Top and Bottom                             |
| Cardboard strip       | 2   | Between back of enclosure and inner panel  |
| Plastic bag           | 1   | To protect cover surface and inside gasket |
| Plastic strap - Black | 2   | To Squeeze the 2 cardboard sleeve together |
| Packaging label       | 1   | White label with product number            |

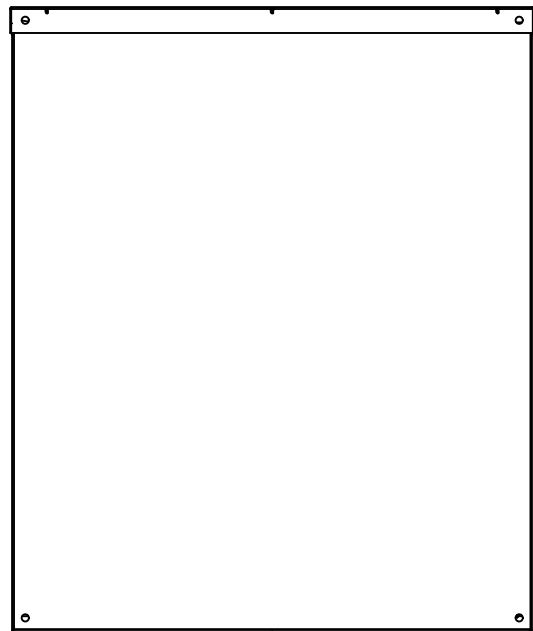
| Qty        | Part Number    | Rev | Description                                |
|------------|----------------|-----|--|
| 1          | STK-K-03000    | 1   | 5100 ES Accessory Kit                      |
| 1          | 5300ESG363006C | 0   | 5300ESG 36" x 30" Cover                    |
| 1          | 5300ESG363006B | 0   | 5300ESG 36" x 30" x 6" Body                |
| 3          | STK-Q-04050-08 | 0   | M6 x 8mm Hexagon Socket Head Machine Screw |
| Parts List |                |     |  |

This drawing is confidential and must not be reproduced or used without the consent of EXM

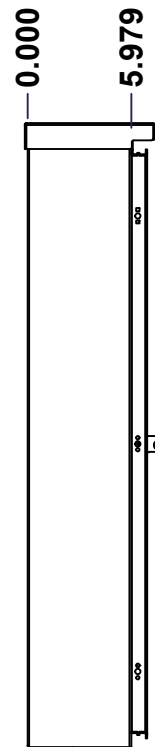
Ce dessin est confidentiel et ne doit pas être reproduit ou utilisé sans le consentement de EXM



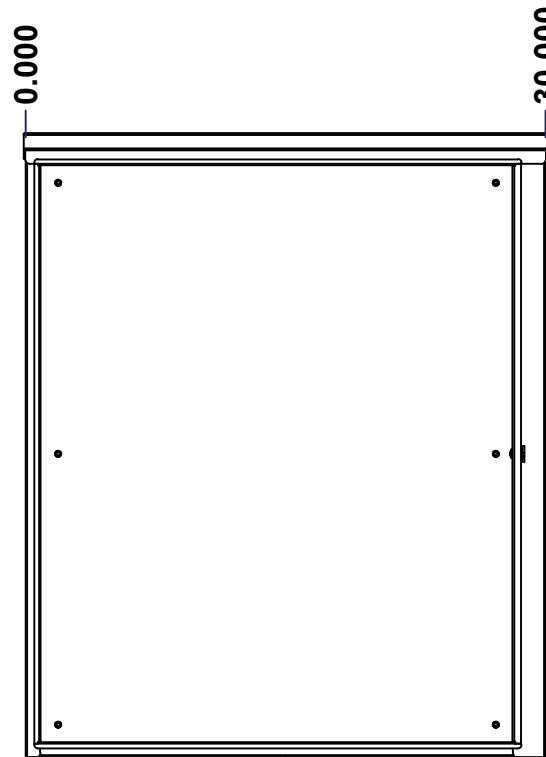
TOP



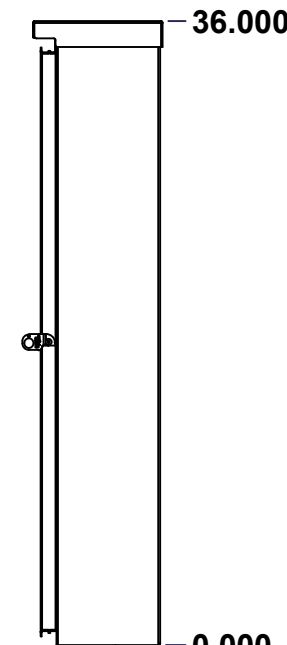
BACK



LEFT



FRONT

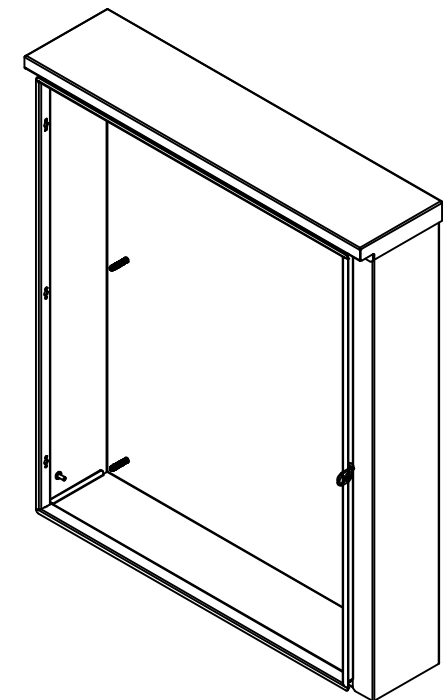


RIGHT



BOTTOM

| No. | Revisions | Date | By/Par |
|-----|-----------|------|--------|
|     |           |      |        |
|     |           |      |        |
|     |           |      |        |
|     |           |      |        |



Isometric View

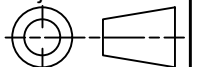


Tél: (450) 979-4373  
 Fax: (450) 979-4626  
[www.exmweb.com](http://www.exmweb.com)

Flatness  
Aplatissement

Max 3.0mm

Projection



|  |                       |
|--|-----------------------|
| Customer Client                              | Date                  |
| Drawn By<br>Dessiné Par BoxCad: BoxCad       | Date 01-Feb-22        |
| Material<br>Matière 14 Ga Galvanized (1.7mm) |                       |
| Color<br>Couleur Asa-61 Grey                 | Finish<br>Fini Smooth |

|  |             |
|--|-------------|
| Description<br>5300ESG 36" x 30" x 6" Body | Detail Rev. |
|--|-------------|

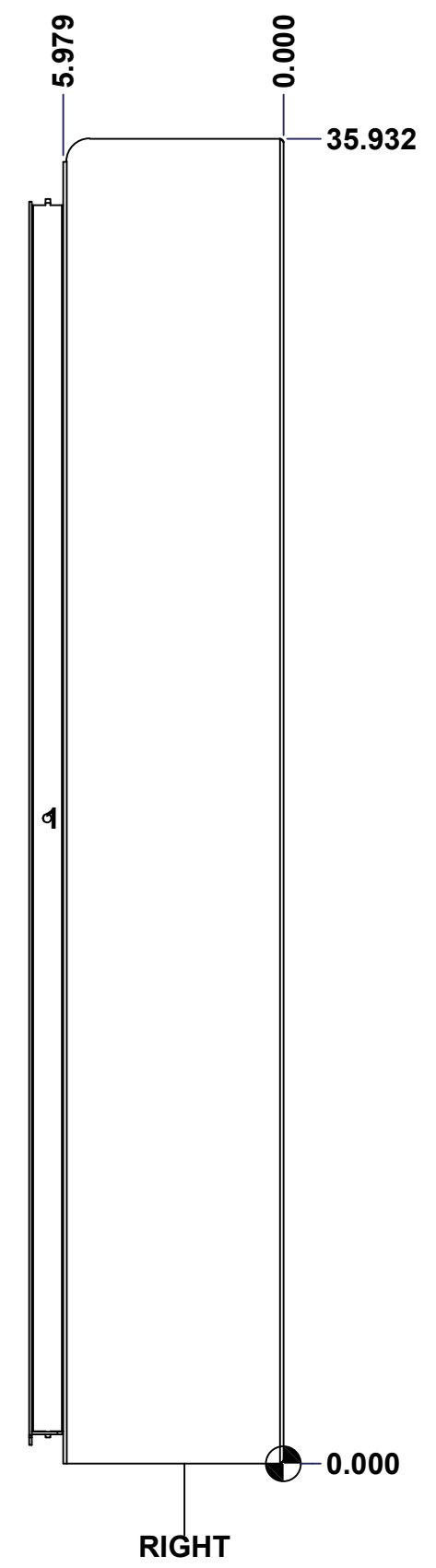
|  |                  |         |
|--|------------------|---------|
| Part Number<br>Numéro Pièce<br><b>5300ESG363006B</b> | Rev.<br><b>0</b> | 3<br>10 |
|--|------------------|---------|

SEE BILL OF MATERIAL ON LAST PAGE

This drawing is confidential and must not be reproduced or used without the consent of EXM

Ce dessin est confidentiel et ne doit pas être reproduit ou utilisé sans le consentement de EXM

| <b>STANDARD FEATURES ARE NOT LISTED IN THIS HOLE TABLE</b> |       |        |                 |
|--|-------|--------|-----------------|
| <b>HOLE TABLE - RIGHT VIEW (CUSTOM FEATURE ONLY)</b>       |       |        |                 |
| CUT-OUT  | XDIM  | YDIM   | DESCRIPTION     |
| 1  | 6.418 | 17.500 | Padlock 880 PLH |

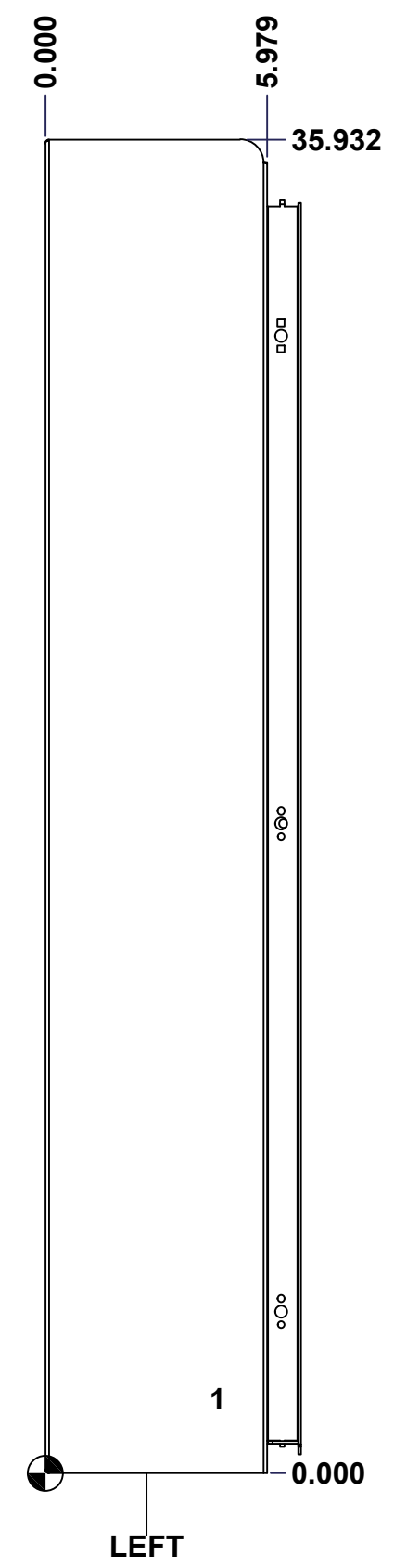


|  |                             |          |        |
|--|-----------------------------|----------|--------|
|  | Description                 | Status   |        |
|  | 5300ESG 36" x 30" x 6" Body | (NULL)   |        |
|  | Part Number<br>Numéro Pièce | Rev.     |        |
|  | <b>5300ESG363006B</b>       | <b>0</b> | 4 / 10 |

This drawing is confidential and must not be reproduced or used without the consent of EXM

Ce dessin est confidentiel et ne doit pas être reproduit ou utilisé sans le consentement de EXM

| <b>STANDARD FEATURES ARE NOT LISTED IN THIS HOLE TABLE</b> |       |       |                             |
|--|-------|-------|-----------------------------|
| <b>HOLE TABLE - LEFT VIEW (CUSTOM FEATURE ONLY)</b>        |       |       |                             |
| CUT-OUT  | XDIM  | YDIM  | DESCRIPTION                 |
| 1  | 4.500 | 2.000 | GND STUD M6 x 16mm (Inside) |



|  |                             |          |    |
|--|-----------------------------|----------|----|
|  | Description                 | Status   |    |
|  | 5300ESG 36" x 30" x 6" Body | (NULL)   |    |
|  | Part Number<br>Numéro Pièce | Rev.     | 5  |
|  | <b>5300ESG363006B</b>       | <b>0</b> | 10 |

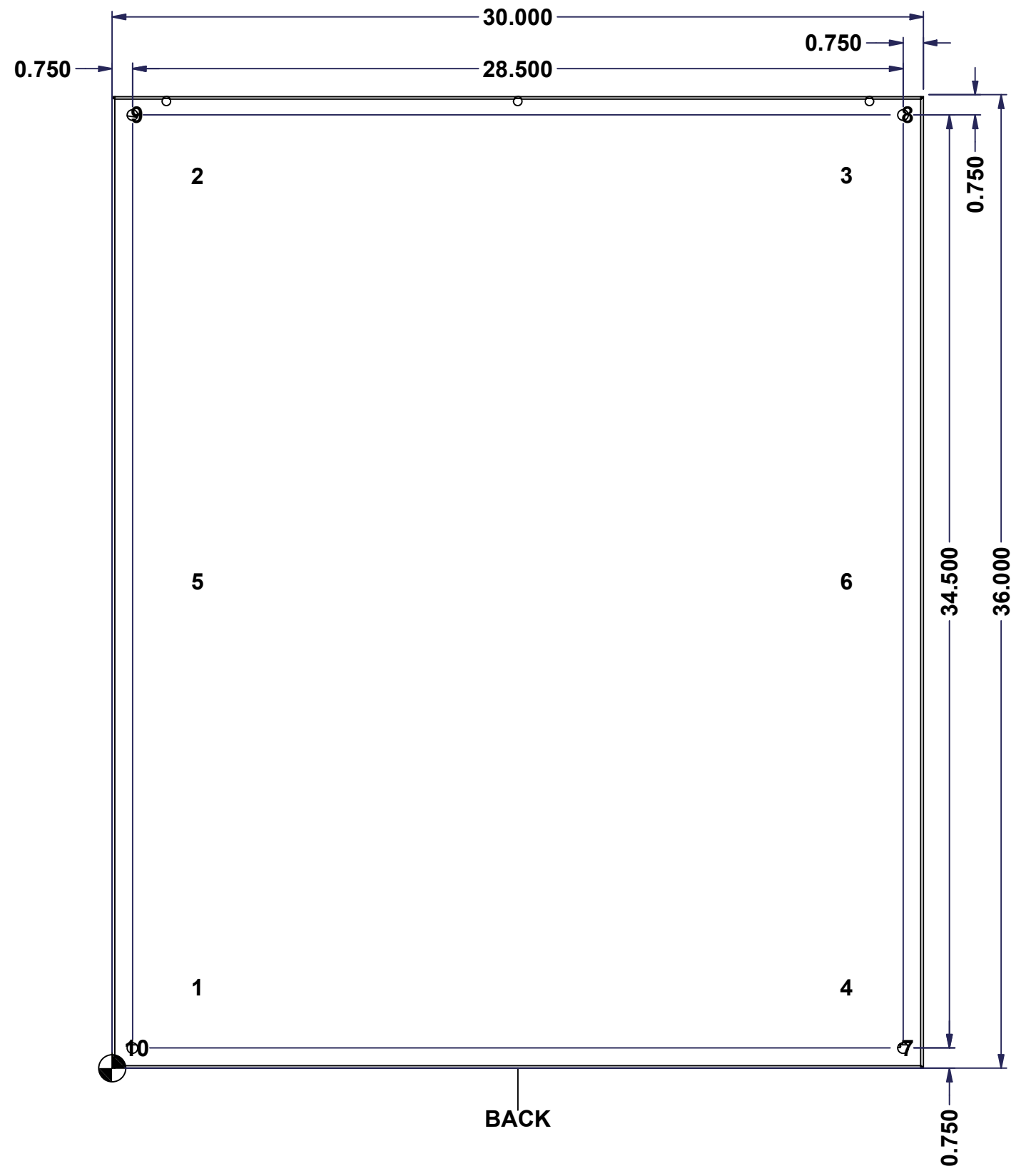
This drawing is confidential and must not be reproduced or used without the consent of EXM

Ce dessin est confidentiel et ne doit pas être reproduit ou utilisé sans le consentement de EXM

**STANDARD FEATURES ARE NOT LISTED IN THIS HOLE TABLE**

**HOLE TABLE - BACK VIEW (CUSTOM FEATURE ONLY)**

| CUT-OUT | XDIM   | YDIM   | DESCRIPTION                |
|---------|--------|--------|----------------------------|
| 1       | 3.000  | 3.000  | IP STUD M8 x 35mm (Inside) |
| 2       | 3.000  | 33.000 | IP STUD M8 x 35mm (Inside) |
| 3       | 27.000 | 33.000 | IP STUD M8 x 35mm (Inside) |
| 4       | 27.000 | 3.000  | IP STUD M8 x 35mm (Inside) |
| 5       | 3.000  | 18.000 | IP STUD M8 x 35mm (Inside) |
| 6       | 27.000 | 18.000 | IP STUD M8 x 35mm (Inside) |
| -----   |        |        |                            |
| 7       | 29.250 | 0.750  | RND Ø0.390                 |
| 8       | 29.250 | 35.250 | RND Ø0.390                 |
| 9       | 0.750  | 35.250 | RND Ø0.390                 |
| 10      | 0.750  | 0.750  | RND Ø0.390                 |

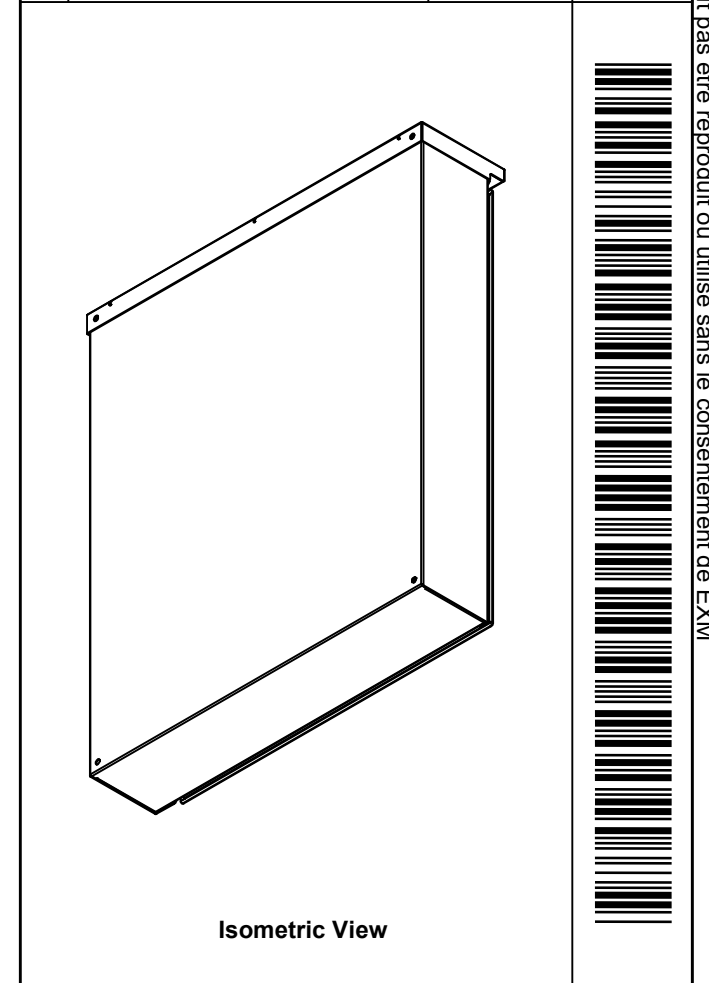



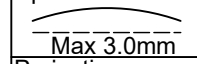
|  |                             |          |         |
|--|-----------------------------|----------|---------|
|  | Description                 | Status   |         |
|  | 5300ESG 36" x 30" x 6" Body | (NULL)   |         |
|  | Part Number<br>Numéro Pièce | Rev.     |         |
|  | <b>5300ESG363006B</b>       | <b>0</b> | 6<br>10 |

This drawing is confidential and must not be reproduced or used without the consent of EXM

Ce dessin est confidentiel et ne doit pas être reproduit ou utilisé sans le consentement de EXM

| No. | Revisions | Date | By/Par |
|-----|-----------|------|--------|
|     |           |      |        |
|     |           |      |        |
|     |           |      |        |
|     |           |      |        |
|     |           |      |        |

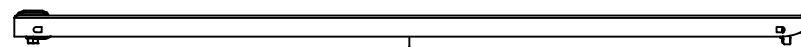


|  |  |   |
|--|--|---|
|  Tél: (450) 979-4373<br>Fax: (450) 979-4626<br><a href="http://www.exmweb.com">www.exmweb.com</a> |  | Flatness<br>Aplatissement<br><br>Max 3.0mm |
| Customer<br>Client   |  | Date  |
| Drawn By<br>Dessiné Par BoxCad: BoxCad   |  | Date 01-Feb-22  |
| Material<br>Matière 14 Ga Galvanized (1.7mm)   |  |   |
| Color<br>Couleur Asa-61 Grey   |  | Finish<br>Fini Smooth   |
| Description<br>5300ESG 36" x 30" x 6" Body   |  | Detail Rev.   |
| Part Number<br>Numéro Pièce<br><b>5300ESG363006B</b>   |  | Rev. 7<br><b>0</b>  |

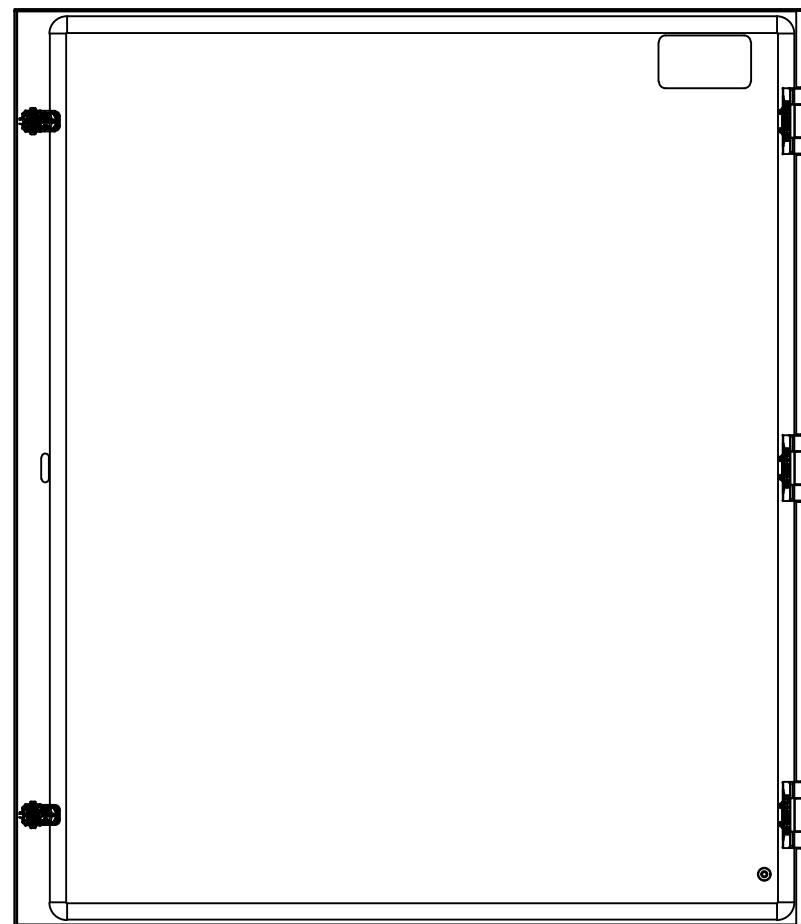
| Qty        | Part Number      | Rev | Description                          |
|------------|------------------|-----|--------------------------------------|
| 1          | STK-Q-16080      | 0   | Ground Stud M6 x 16mm Steel          |
| 1          | STK-K-91208      | 0   | 5300 ESG Padlock Kit                 |
| 1          | STK-P-02400S     | 0   | Powder Paint (Asa-61 Grey / Smooth)  |
| 6          | STK-Q-16005      | 1   | Stud M8 x 35 (No Paint Cap Required) |
| 1          | 5300ESG363006T-P | 0   | 5300ESG 36" x 30" x 6" Top Part      |
| 1          | 5300ESG363006B-P | 0   | 5300ESG 36" x 30" x 6" Body Part     |
| Parts List |                  |     |                                      |

This drawing is confidential and must not be reproduced or used without the consent of EXM

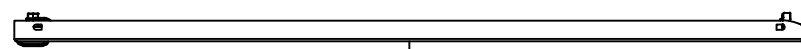
Ce dessin est confidentiel et ne doit pas être reproduit ou utilisé sans le consentement de EXM



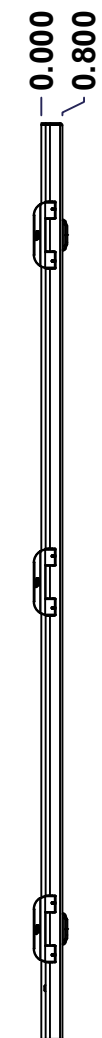
TOP



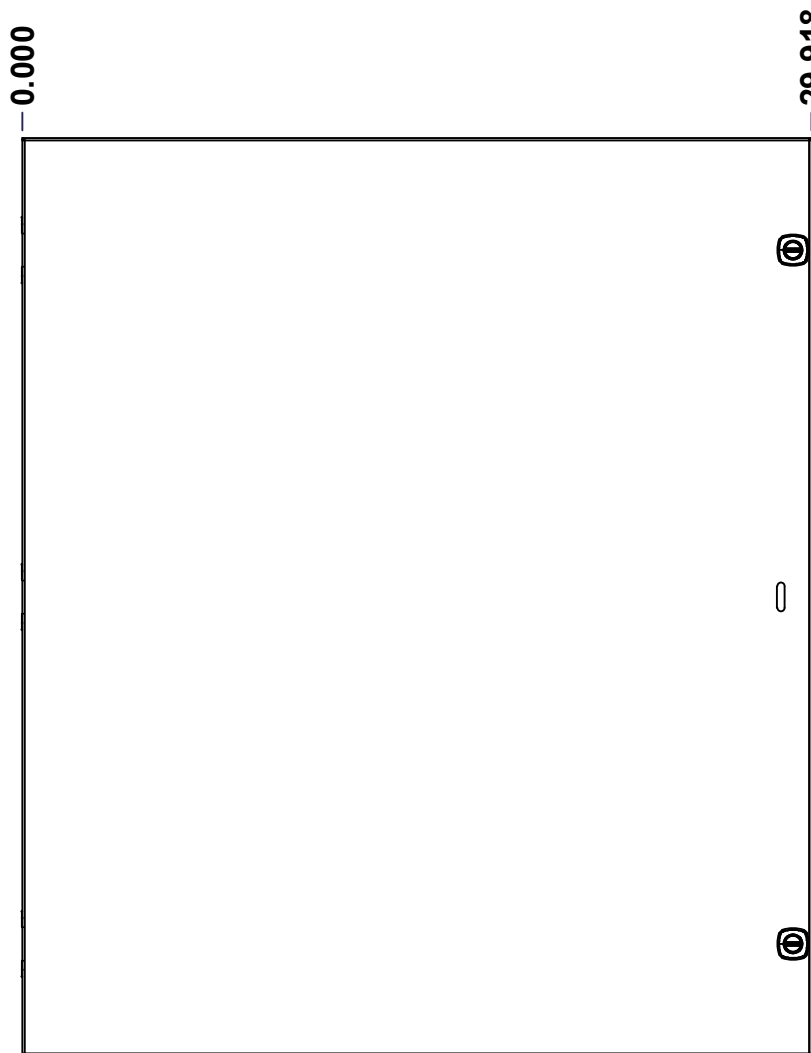
BACK



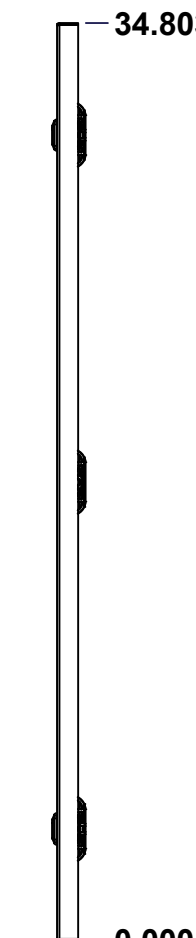
BOTTOM



LEFT



FRONT




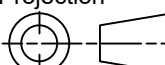
RIGHT

| No. | Revisions | Date | By/Par |
|-----|-----------|------|--------|
|     |           |      |        |
|     |           |      |        |
|     |           |      |        |
|     |           |      |        |



Isometric View



|  |                          |   |
|--|--------------------------|---|
|  Tél: (450) 979-4373<br>Fax: (450) 979-4626<br><a href="http://www.exmweb.com">www.exmweb.com</a> |                          | Flatness<br>Aplatissement<br>Max 3.0mm<br>Projection<br> |
| Customer Client  | Date                     |   |
| Drawn By<br>Dessiné Par  | BoxCad: BoxCad           | Date 01-Feb-22  |
| Material<br>Matière  | 14 Ga Galvanized (1.7mm) |   |
| Color<br>Couleur   | Asa-61 Grey              | Finish<br>Fini Smooth   |
| Description  | Detail Rev.              |   |
| 5300ESG 36" x 30" Cover  |                          |   |
| Part Number<br>Numéro Pièce  | Rev.                     | 8   |
| 5300ESG363006C   | 0                        | 10  |

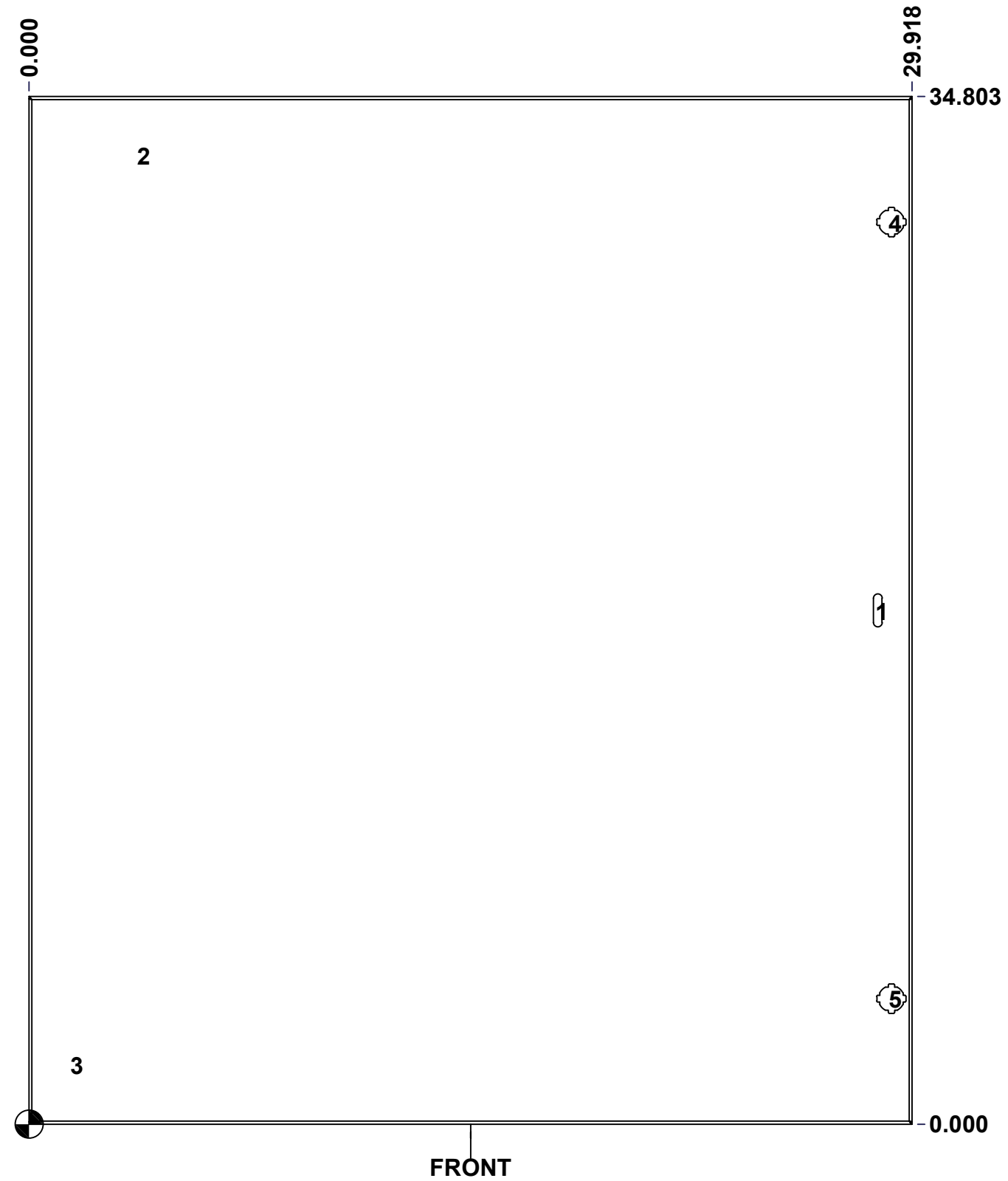
SEE BILL OF MATERIAL ON LAST PAGE



This drawing is confidential and must not be reproduced or used without the consent of EXM

Ce dessin est confidentiel et ne doit pas être reproduit ou utilisé sans le consentement de EXM

| STANDARD FEATURES ARE NOT LISTED IN THIS HOLE TABLE |        |        |                             |
|---|--------|--------|-----------------------------|
| HOLE TABLE - FRONT VIEW (CUSTOM FEATURE ONLY)       |        |        |                             |
| CUT-OUT   | XDIM   | YDIM   | DESCRIPTION                 |
| 1   | 28.755 | 17.401 | Padlock 880 PLH             |
| 2   | 3.750  | 32.803 | LABEL_EXM (Inside)          |
| 3   | 1.486  | 2.000  | GND STUD M6 x 16mm (Inside) |
| 4   | 29.218 | 30.553 | 880 SCQ4CH-SL               |
| 5   | 29.218 | 4.250  | 880 SCQ4CH-SL               |

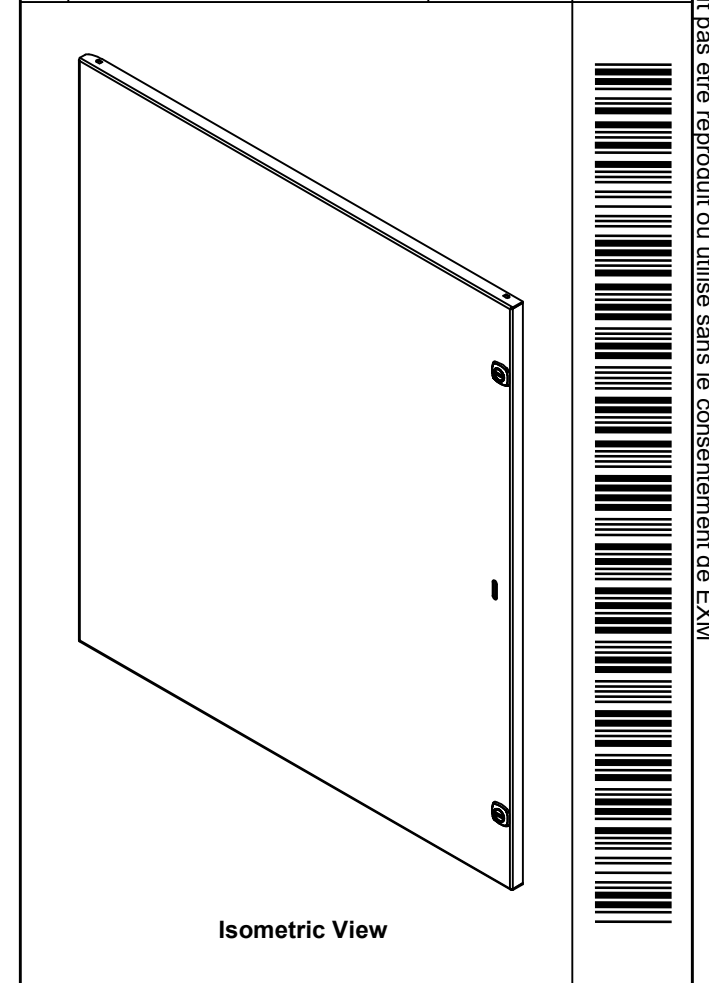



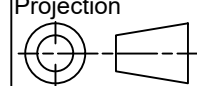
|  |                             |              |
|--|-----------------------------|--------------|
|  | Description                 | Status       |
|  | 5300ESG 36" x 30" Cover     | (NULL)       |
|  | Part Number<br>Numéro Pièce | Rev.         |
|  | <b>5300ESG363006C</b>       | <b>0</b> / 9 |
|  |                             | 10           |

This drawing is confidential and must not be reproduced or used without the consent of EXM

Ce dessin est confidentiel et ne doit pas être reproduit ou utilisé sans le consentement de EXM

| No. | Revisions | Date | By/Par |
|-----|-----------|------|--------|
|     |           |      |        |
|     |           |      |        |
|     |           |      |        |
|     |           |      |        |
|     |           |      |        |



|  |                          |   |
|--|--------------------------|---|
|  Tél: (450) 979-4373<br>Fax: (450) 979-4626<br><a href="http://www.exmweb.com">www.exmweb.com</a> |                          | Flatness<br>Aplatissement<br>Max 3.0mm<br>Projection<br> |
| Customer Client  | Date                     |   |
| Drawn By<br>Dessiné Par  | BoxCad: BoxCad           | Date 01-Feb-22  |
| Material<br>Matière  | 14 Ga Galvanized (1.7mm) |   |
| Color<br>Couleur   | Asa-61 Grey              | Finish<br>Fini Smooth   |
| Description  |                          | Detail Rev.   |
| 5300ESG 36" x 30" Cover  |                          |   |
| Part Number<br>Numéro Pièce  | Rev.                     | 10  |
| <b>5300ESG363006C</b>  | <b>0</b>                 | 10  |

| QTY        | Part Number      | Rev | Description                             |
|------------|------------------|-----|---|
| 1          | STK-Q-16080      | 0   | Ground Stud M6 x 16mm Steel             |
| 1          | STK-S-00100      | 0   | 3.5" x 2" Silver Milar Flexcon Sticker  |
| 1          | STK-P-02400S     | 0   | Powder Paint (Asa-61 Grey / Smooth)     |
| 1          | 5300ESG363006G   | 0   | 5300ESG 36" x 30" Cover Gasket Part     |
| 1          | 5300ESG363006C-P | 0   | 5300ESG 36" x 30" Cover Part            |
| 2          | 880 SCQ4CH-SL    | 0   | 5412 CH 1/4 Turn Lock                   |
| 3          | STK-K-09800      | 10  | 5412 ES Hinge with 2 Captive Hinge Pins |
| Parts List |                  |     |   |