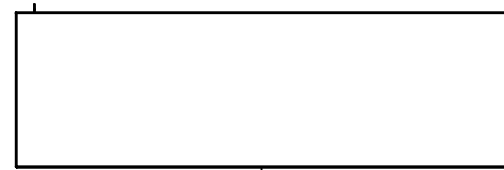


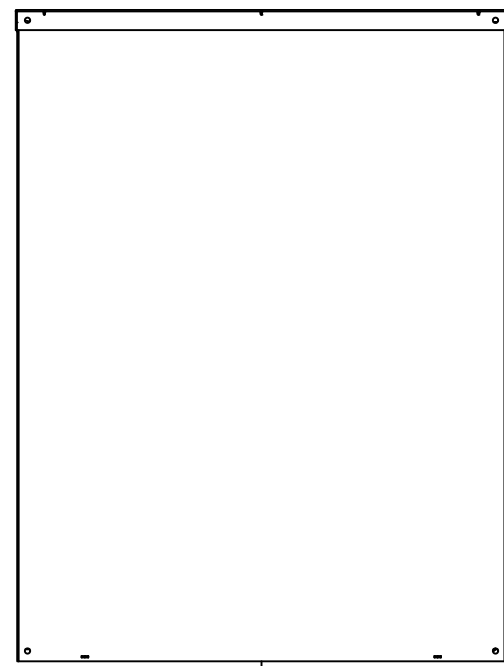
This drawing is confidential and must not be reproduced or used without the consent of EXM

Ce dessin est confidentiel et ne doit pas être reproduit ou utilisé sans le consentement de EXM

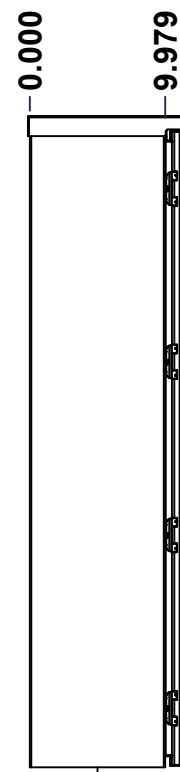
| No. | Revisions | Date | By/Par |
|-----|-----------|------|--------|
| | | | |
| | | | |
| | | | |
| | | | |



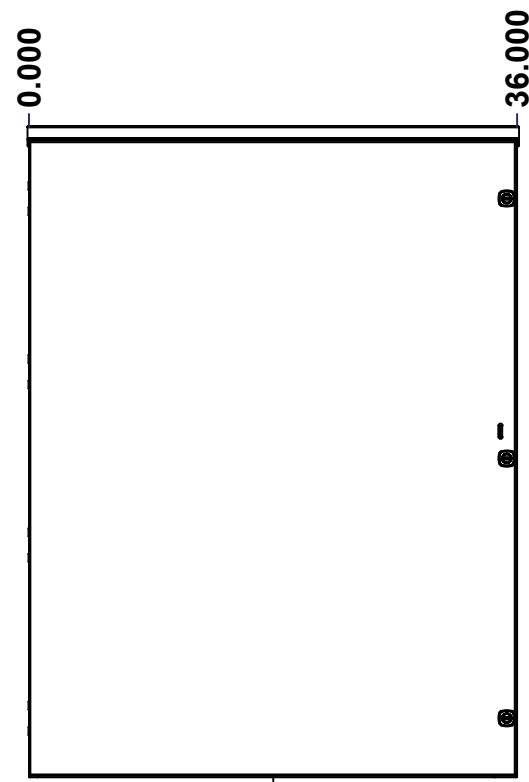
TOP



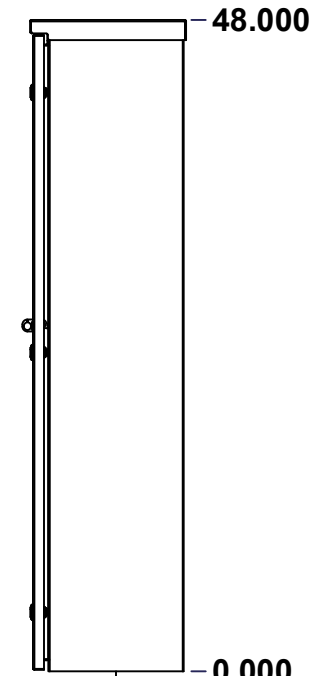
BACK



LEFT



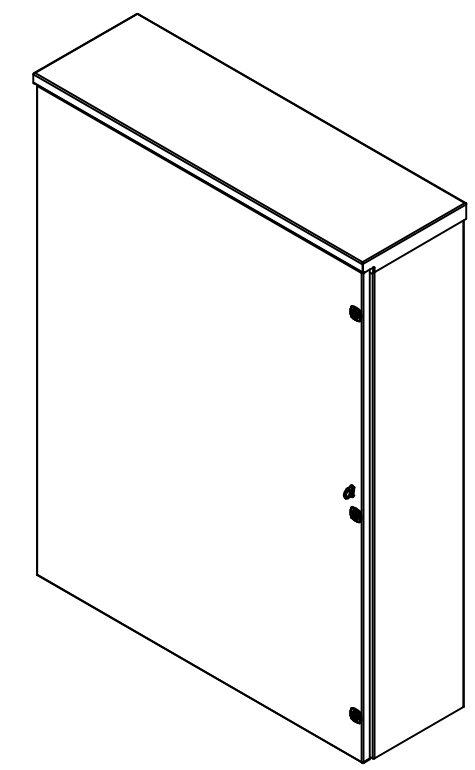
FRONT



RIGHT


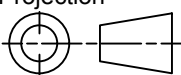


BOTTOM



Isometric View



| | | |
|--|--------------------------|---|
|  Tél: (450) 979-4373 Fax: (450) 979-4626 www.exmweb.com | | Flatness Aplatissement Max 3.0mm Projection  |
| Customer Client | Date | |
| Drawn By Dessiné Par | BoxCad: BoxCad | Date 02-Feb-22 |
| Material Matière | 14 Ga Galvanized (1.7mm) | |
| Color Couleur | Asa-61 Grey | Finish Fini Smooth |
| Description | Detail Rev. | |
| 5300ESG 48" x 36" x 10" Assembly | | |
| Part Number Numéro Pièce | Rev. | 1 |
| 5300ESG483610 | 0 | 10 |

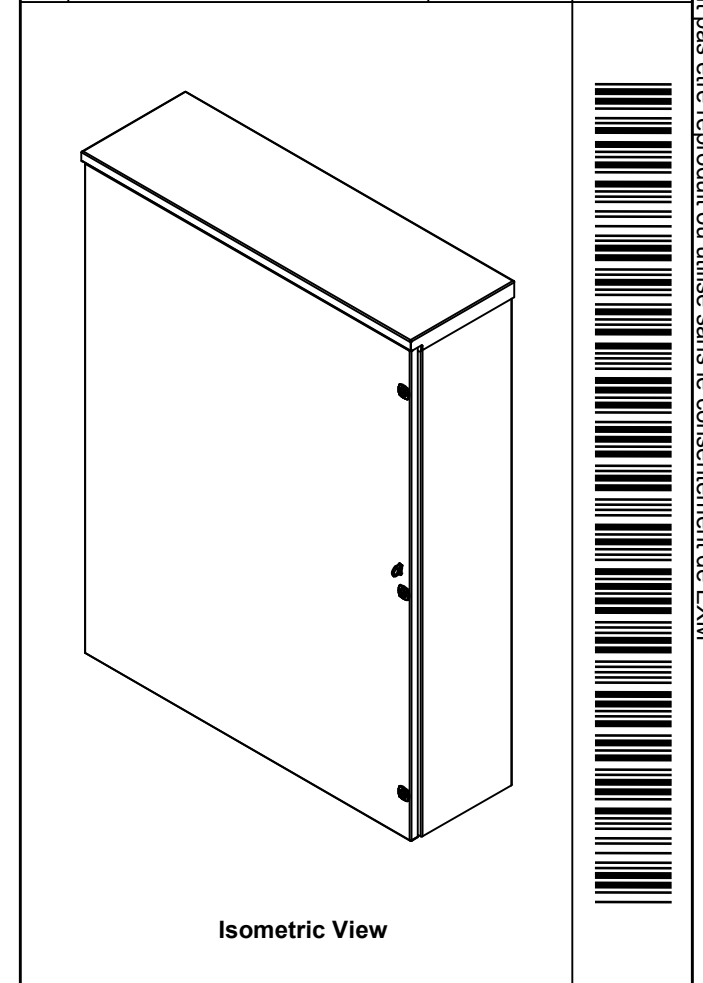
SEE BILL OF MATERIAL ON LAST PAGE

This drawing is confidential and must not be reproduced or used without the consent of EXM

Ce dessin est confidentiel et ne doit pas être reproduit ou utilisé sans le consentement de EXM


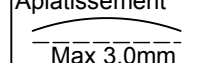
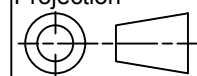
| NOTE | |
|------|--|
| ITEM | DESCRIPTION |
| 1 | NEMA 3/3R Enclosure |
| 2 | C/W Standard ground studs on box and cover |
| 3 | W/O Standard door stiffener |
| 4 | W/O Inner panel |
| 5 | C/W Standard inner panel mounting studs |
| 6 | C/W Padlock sold separately (Kit) |

| No. | Revisions | Date | By/Par |
|-----|-----------|------|--------|
| | | | |
| | | | |
| | | | |
| | | | |
| | | | |
| | | | |



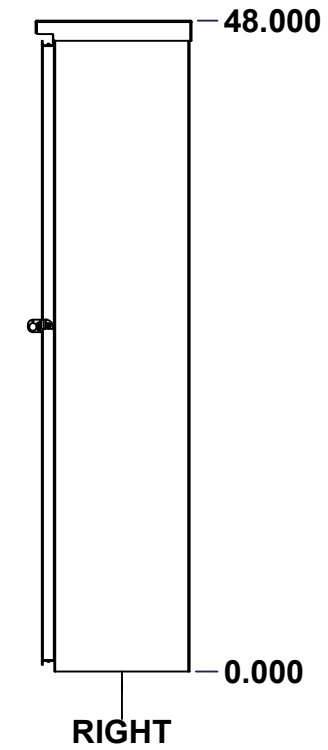
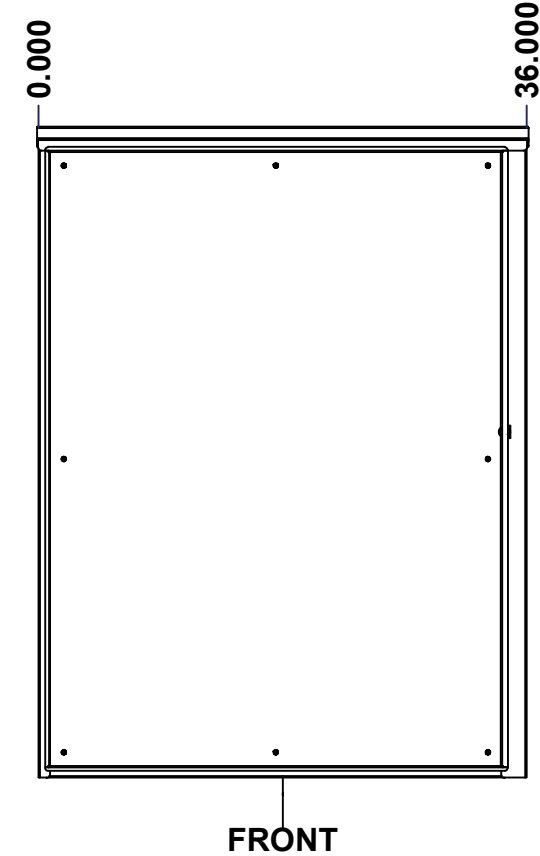
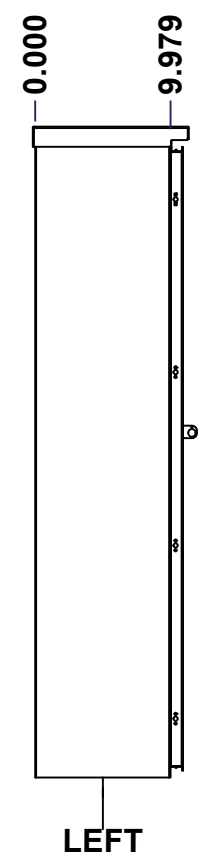
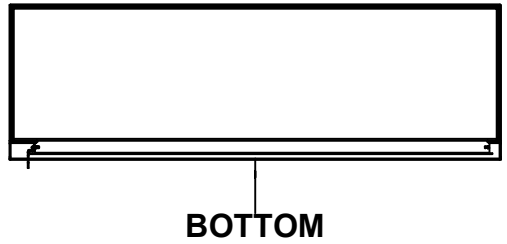
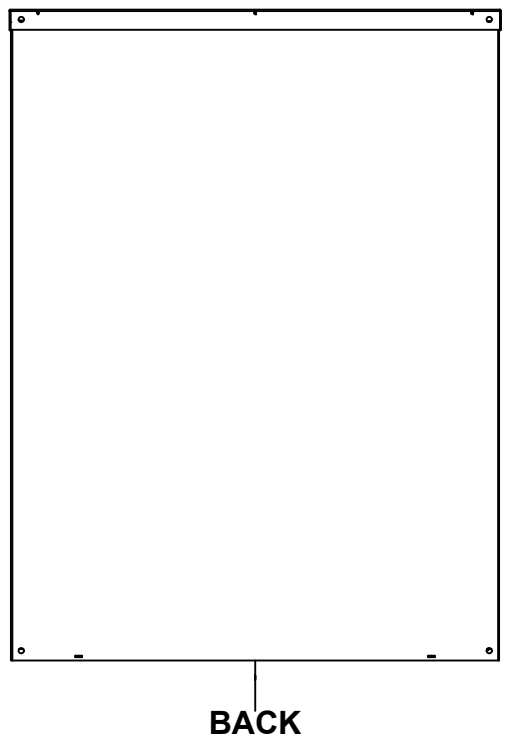
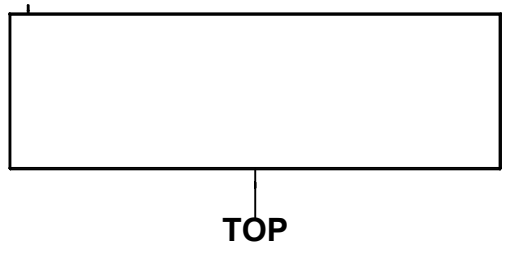
| PACKING | | |
|-----------------------|-----|--|
| ITEM | QTY | DESCRIPTION |
| Cardboard sleeve | 2 | Top and Bottom |
| Cardboard strip | 2 | Between back of enclosure and inner panel |
| Plastic bag | 1 | To protect cover surface and inside gasket |
| Cardboard corner | 4 | To reinforced for the plastic strap tightening |
| Plastic strap - Black | 2 | To Squeeze 2 cardboard sleeve together |
| Packaging label | 3 | White label with PN |
| Plastic strap- Green | 2 | To secure the enclosure to the wood pallet |
| Wood Pallet | 1 | 2" deeper and 3" larger than enclosure size |

| Qty | Part Number | Rev | Description |
|------------|----------------|-----|--|
| 1 | STK-K-03000 | 1 | 5100 ES Accessory Kit |
| 1 | 5300ESG483610C | 0 | 5300ESG 48" x 36" Cover |
| 1 | 5300ESG483610B | 0 | 5300ESG 48" x 36" x 10" Body |
| 4 | STK-Q-04050-08 | 0 | M6 x 8mm Hexagon Socket Head Machine Screw |
| Parts List | | | |

| | | |
|--|--------------------------|---|
|  Tél: (450) 979-4373 Fax: (450) 979-4626 www.exmweb.com | | Flatness Aplatissement  Max 3.0mm Projection  |
| Customer Client | Date | |
| Drawn By Dessiné Par | BoxCad: BoxCad | Date 02-Feb-22 |
| Material Matière | 14 Ga Galvanized (1.7mm) | |
| Color Couleur | Asa-61 Grey | Finish Fini Smooth |
| Description | Detail Rev. | |
| 5300ESG 48" x 36" x 10" Assembly | | |
| Part Number Numéro Pièce | Rev. | 2 |
| 5300ESG483610 | 0 | 10 |

This drawing is confidential and must not be reproduced or used without the consent of EXM

Ce dessin est confidentiel et ne doit pas être reproduit ou utilisé sans le consentement de EXM



| No. | Revisions | Date | By/Par |
|-----|-----------|------|--------|
| | | | |
| | | | |
| | | | |
| | | | |
| | | | |

Isometric View

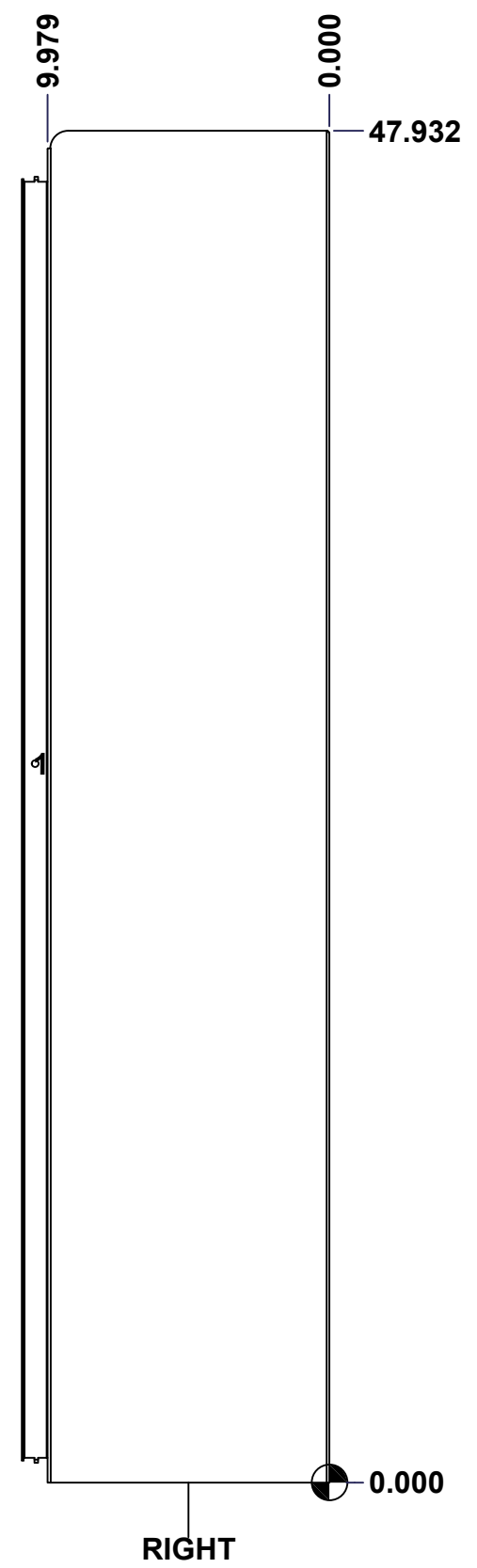
| | | | |
|---|--|---------------------------|-------------|
| <p>Tél: (450) 979-4373 Fax: (450) 979-4626 www.exmweb.com</p> | | Flatness Aplatissement | |
| | | Max 3.0mm | |
| Customer Client | | Date | |
| Drawn By Dessiné Par | | Date | |
| Material Matière | | 14 Ga Galvanized (1.7mm) | |
| Color Couleur | | Finish Fini | |
| Asa-61 Grey | | Smooth | |
| Description | | | Detail Rev. |
| 5300ESG 48" x 36" x 10" Body | | | |
| Part Number Numéro Pièce | | Rev. | |
| 5300ESG483610B | | 0 | 3 10 |

SEE BILL OF MATERIAL ON LAST PAGE

This drawing is confidential and must not be reproduced or used without the consent of EXM

Ce dessin est confidentiel et ne doit pas être reproduit ou utilisé sans le consentement de EXM

| STANDARD FEATURES ARE NOT LISTED IN THIS HOLE TABLE | | | |
|---|--------|--------|-----------------|
| HOLE TABLE - RIGHT VIEW (CUSTOM FEATURE ONLY) | | | |
| CUT-OUT | XDIM | YDIM | DESCRIPTION |
| 1 | 10.418 | 25.500 | Padlock 880 PLH |

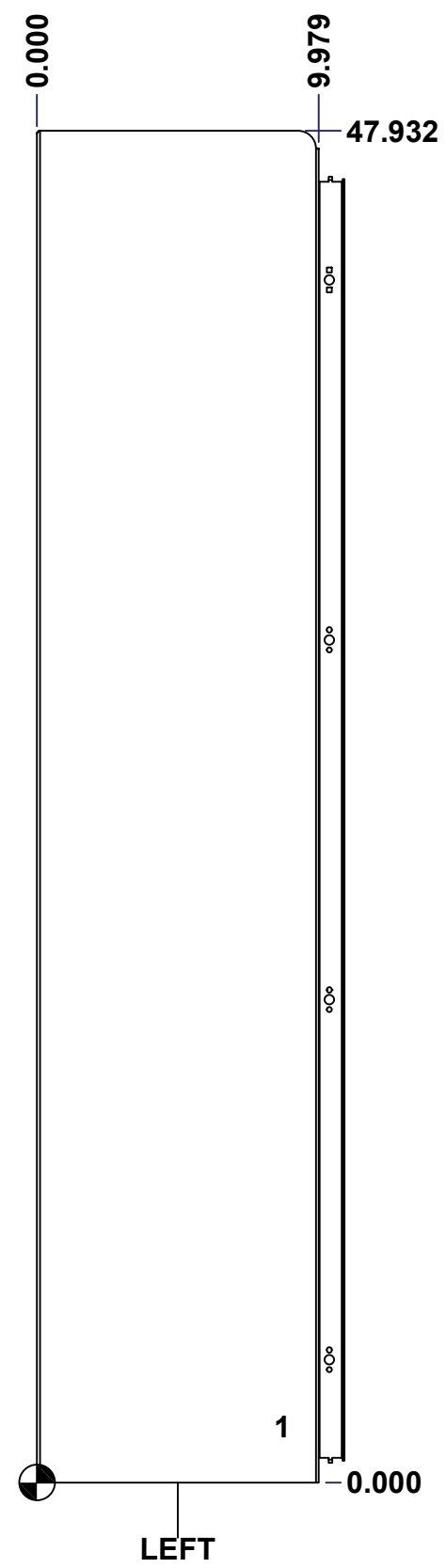


| | | | |
|--|------------------------------|----------|---------|
| | Description | Status | |
| | 5300ESG 48" x 36" x 10" Body | (NULL) | |
| | Part Number Numéro Pièce | Rev. | |
| | 5300ESG483610B | 0 | 4 10 |

This drawing is confidential and must not be reproduced or used without the consent of EXM

Ce dessin est confidentiel et ne doit pas être reproduit ou utilisé sans le consentement de EXM

| STANDARD FEATURES ARE NOT LISTED IN THIS HOLE TABLE | | | |
|---|-------|-------|-----------------------------|
| HOLE TABLE - LEFT VIEW (CUSTOM FEATURE ONLY) | | | |
| CUT-OUT | XDIM | YDIM | DESCRIPTION |
| 1 | 8.500 | 2.000 | GND STUD M6 x 16mm (Inside) |



| | | | |
|--|------------------------------|----------|----|
| | Description | Status | |
| | 5300ESG 48" x 36" x 10" Body | (NULL) | |
| | Part Number Numéro Pièce | Rev. | 5 |
| | 5300ESG483610B | 0 | 10 |

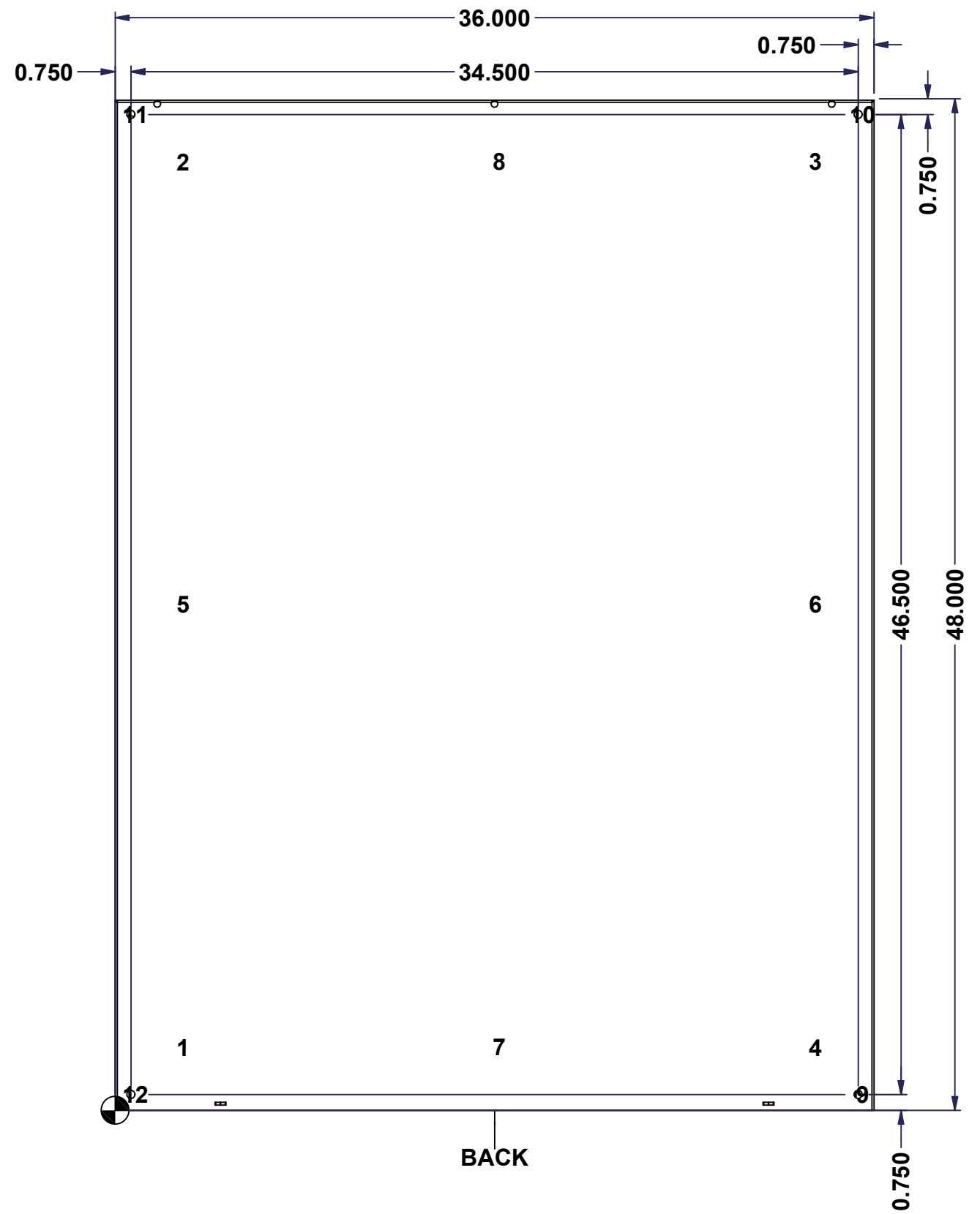
This drawing is confidential and must not be reproduced or used without the consent of EXM

Ce dessin est confidentiel et ne doit pas être reproduit ou utilisé sans le consentement de EXM

STANDARD FEATURES ARE NOT LISTED IN THIS HOLE TABLE

HOLE TABLE - BACK VIEW (CUSTOM FEATURE ONLY)

| CUT-OUT | XDIM | YDIM | DESCRIPTION |
|---------|--------|--------|----------------------------|
| 1 | 3.000 | 3.000 | IP STUD M8 x 35mm (Inside) |
| 2 | 3.000 | 45.000 | IP STUD M8 x 35mm (Inside) |
| 3 | 33.000 | 45.000 | IP STUD M8 x 35mm (Inside) |
| 4 | 33.000 | 3.000 | IP STUD M8 x 35mm (Inside) |
| 5 | 3.000 | 24.000 | IP STUD M8 x 35mm (Inside) |
| 6 | 33.000 | 24.000 | IP STUD M8 x 35mm (Inside) |
| 7 | 18.000 | 3.000 | IP STUD M8 x 35mm (Inside) |
| 8 | 18.000 | 45.000 | IP STUD M8 x 35mm (Inside) |
| ----- | | | |
| 9 | 35.250 | 0.750 | RND Ø0.390 |
| 10 | 35.250 | 47.250 | RND Ø0.390 |
| 11 | 0.750 | 47.250 | RND Ø0.390 |
| 12 | 0.750 | 0.750 | RND Ø0.390 |

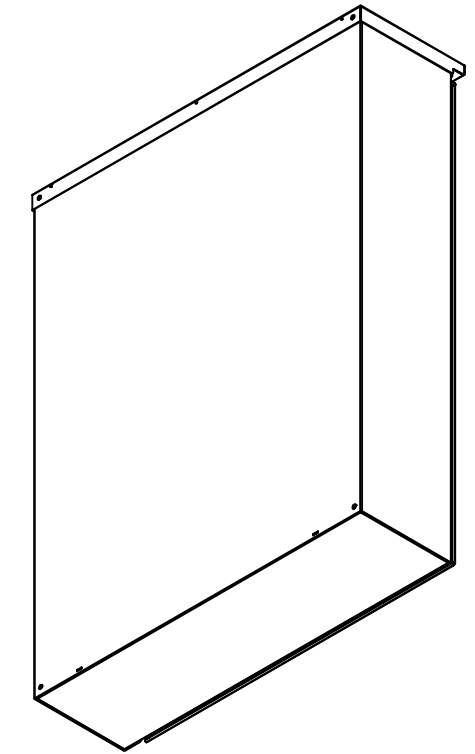


| | | |
|--|------------------------------|----------|
| | Description | Status |
| | 5300ESG 48" x 36" x 10" Body | (NULL) |
| | Part Number | Rev. |
| | Numéro Pièce | 6 |
| | 5300ESG483610B | 0 |
| | | 10 |

This drawing is confidential and must not be reproduced or used without the consent of EXM


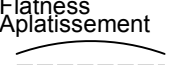
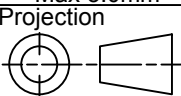
Ce dessin est confidentiel et ne doit pas être reproduit ou utilisé sans le consentement de EXM

| No. | Revisions | Date | By/Par |
|-----|-----------|------|--------|
| | | | |
| | | | |
| | | | |
| | | | |
| | | | |



Isometric View

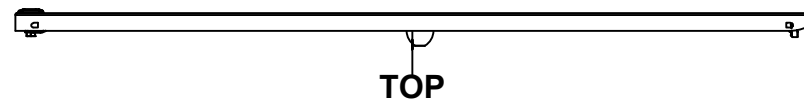


| | | |
|--|--------------------------|--|
|  Tél: (450) 979-4373 Fax: (450) 979-4626 www.exmweb.com | | Flatness Aplatissement  Max 3.0mm Projection  |
| Customer Client | Date | |
| Drawn By Dessiné Par | BoxCad: BoxCad | Date 02-Feb-22 |
| Material Matière | 14 Ga Galvanized (1.7mm) | |
| Color Couleur | Asa-61 Grey | Finish Fini Smooth |
| Description | | Detail Rev. |
| 5300ESG 48" x 36" x 10" Body | | |
| Part Number Numéro Pièce | Rev. | 7 |
| 5300ESG483610B | 0 | 10 |

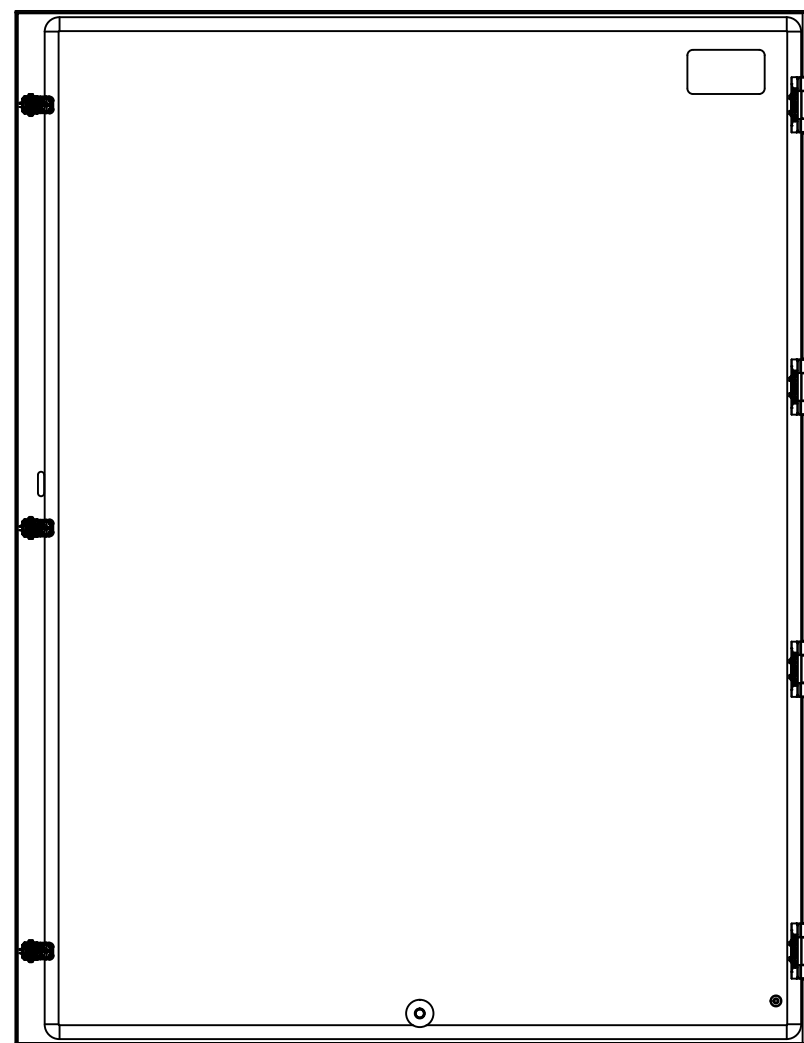
| Qty | Part Number | Rev | Description |
|------------|-------------------|-----|--------------------------------------|
| 1 | STK-K-91208 | 0 | 5300 ESG Padlock Kit |
| 1 | STK-Q-16080 | 0 | Ground Stud M6 x 16mm Steel |
| 1 | 5300ESG483610BT-P | 0 | 5300ESG 48" x 36" x 10" Bottom Part |
| 1 | STK-P-02400S | 0 | Powder Paint (Asa-61 Grey / Smooth) |
| 8 | STK-Q-16005 | 1 | Stud M8 x 35 (No Paint Cap Required) |
| 1 | 5300ESG483610T-P | 0 | 5300ESG 48" x 36" x 10" Top Part |
| 1 | 5300ESG483610B-P | 0 | 5300ESG 48" x 36" x 10" Body Part |
| Parts List | | | |

This drawing is confidential and must not be reproduced or used without the consent of EXM

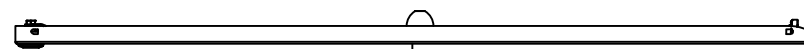
Ce dessin est confidentiel et ne doit pas être reproduit ou utilisé sans le consentement de EXM



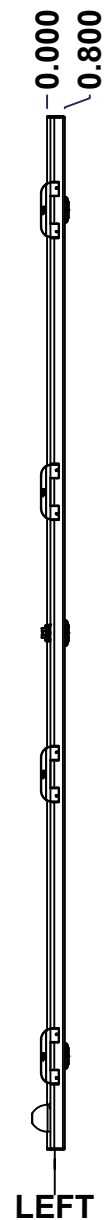
TOP



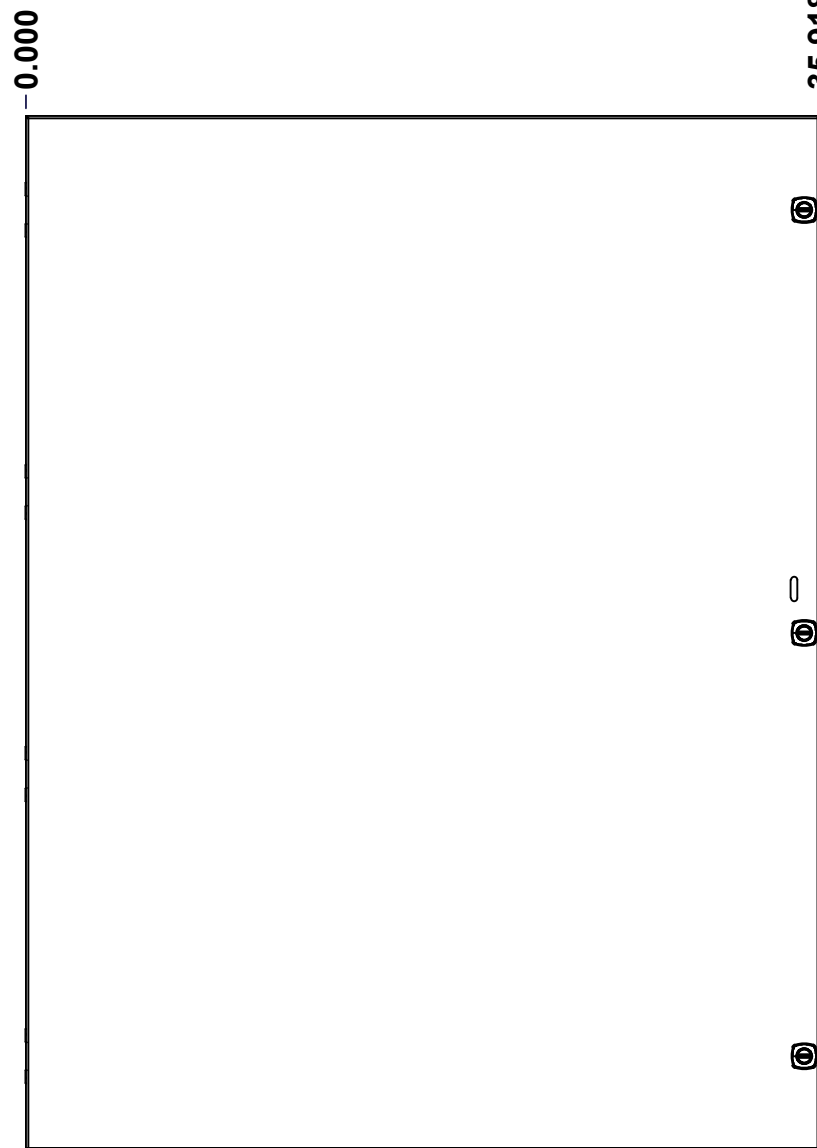
BACK



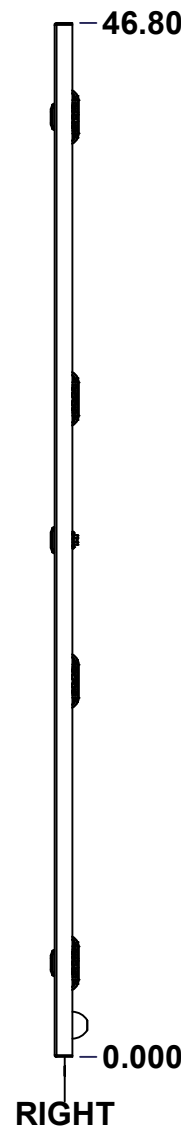
BOTTOM



LEFT



FRONT



RIGHT

| No. | Revisions | Date | By/Par |
|-----|-----------|------|--------|
| | | | |
| | | | |
| | | | |
| | | | |
| | | | |

Isometric View

| | | | |
|---|--|---------------------------|-------------|
| <p>Tél: (450) 979-4373 Fax: (450) 979-4626 www.exmweb.com</p> | | Flatness Aplatissement | |
| | | Max 3.0mm | |
| Customer Client | | Date | |
| Drawn By Dessiné Par BoxCad: BoxCad | | Date 02-Feb-22 | |
| Material Matière 14 Ga Galvanized (1.7mm) | | | |
| Color Couleur Asa-61 Grey | | Finish Fini Smooth | |
| Description 5300ESG 48" x 36" Cover | | | Detail Rev. |
| Part Number Numéro Pièce 5300ESG483610C | | Rev. 0 | 8 / 10 |

SEE BILL OF MATERIAL ON LAST PAGE

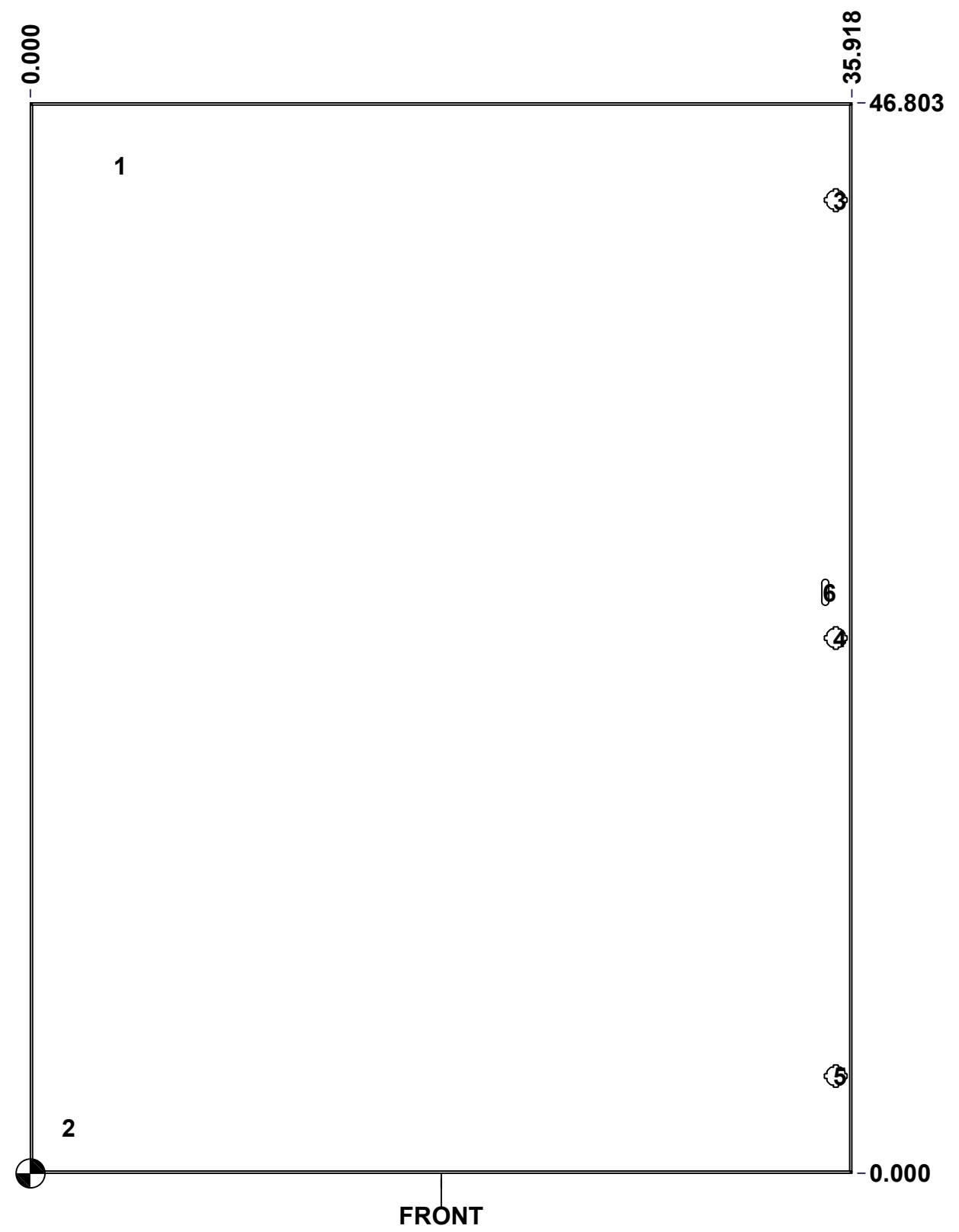
This drawing is confidential and must not be reproduced or used without the consent of EXM

Ce dessin est confidentiel et ne doit pas être reproduit ou utilisé sans le consentement de EXM

STANDARD FEATURES ARE NOT LISTED IN THIS HOLE TABLE

HOLE TABLE - FRONT VIEW (CUSTOM FEATURE ONLY)

| CUT-OUT | XDIM | YDIM | DESCRIPTION |
|---------|--------|--------|-----------------------------|
| 1 | 3.750 | 44.053 | LABEL_EXM (Inside) |
| 2 | 1.486 | 2.000 | GND STUD M6 x 16mm (Inside) |
| 3 | 35.218 | 42.553 | 880 SCQ4CH-SL |
| 4 | 35.218 | 23.402 | 880 SCQ4CH-SL |
| 5 | 35.218 | 4.250 | 880 SCQ4CH-SL |
| 6 | 34.755 | 25.401 | Padlock 880 PLH |

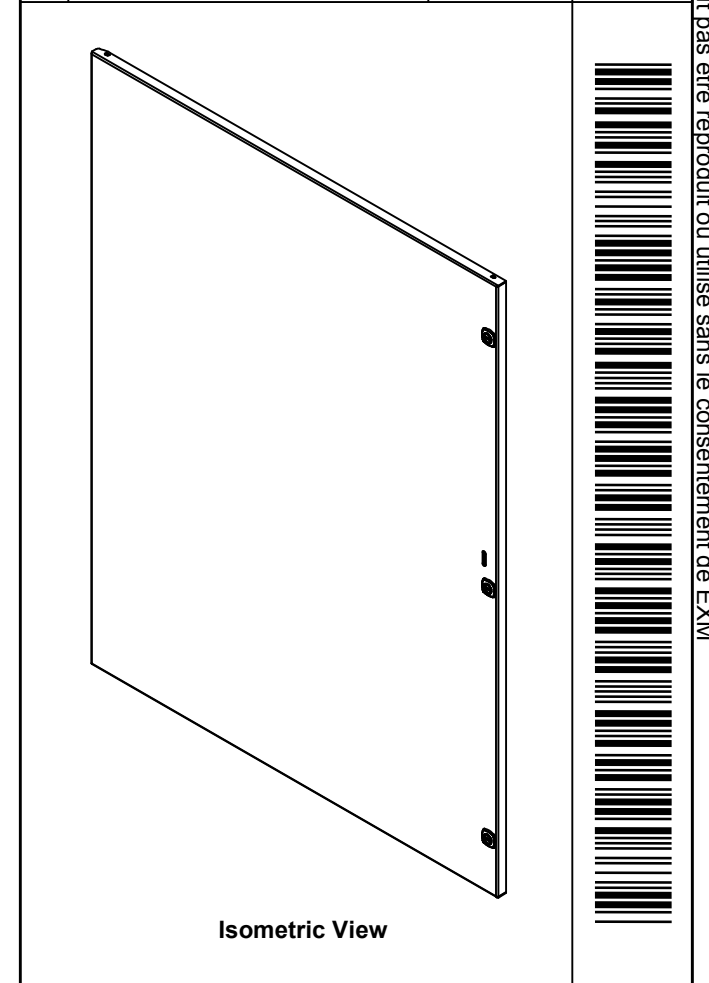


| | | | |
|--|-----------------------------|----------|---------|
| | Description | Status | |
| | 5300ESG 48" x 36" Cover | (NULL) | |
| | Part Number Numéro Pièce | Rev. | |
| | 5300ESG483610C | 0 | 9 10 |

This drawing is confidential and must not be reproduced or used without the consent of EXM

Ce dessin est confidentiel et ne doit pas être reproduit ou utilisé sans le consentement de EXM

| No. | Revisions | Date | By/Par |
|-----|-----------|------|--------|
| | | | |
| | | | |
| | | | |
| | | | |
| | | | |




 Tél: (450) 979-4373
 Fax: (450) 979-4626
www.exmweb.com

Flatness / Aplatissement: Max 3.0mm
 Projection: 

| | |
|--|-----------------|
| Customer / Client | Date |
| Drawn By / Dessiné Par: BoxCad: BoxCad | Date: 02-Feb-22 |
| Material / Matière: 14 Ga Galvanized (1.7mm) | |

| | |
|--------------------------------------|-----------------------|
| Color / Couleur: Asa-61 Grey | Finish / Fini: Smooth |
| Description: 5300ESG 48" x 36" Cover | |
| Detail Rev. | |

| | | |
|---|--------|---------|
| Part Number / Numéro Pièce: 5300ESG483610C | Rev. 0 | 10 / 10 |
|---|--------|---------|

| QTY | Part Number | Rev | Description |
|------------|------------------|-----|---|
| 1 | STK-Q-16080 | 0 | Ground Stud M6 x 16mm Steel |
| 1 | STK-S-00100 | 0 | 3.5" x 2" Silver Milar Flexcon Sticker |
| 1 | STK-P-02400S | 0 | Powder Paint (Asa-61 Grey / Smooth) |
| 1 | STK-Q-46515 | 3 | 5412 ES Door Support with Brass Insert |
| 1 | STK-Q-16055 | 1 | M6 x 18mm Stud (No Paint Cap Required) |
| 1 | 5300ESG483610G | 0 | 5300ESG 48" x 36" Cover Gasket Part |
| 1 | 5300ESG483610C-P | 0 | 5300ESG 48" x 36" Cover Part |
| 3 | 880 SCQ4CH-SL | 0 | 5412 CH 1/4 Turn Lock |
| 4 | STK-K-09800 | 10 | 5412 ES Hinge with 2 Captive Hinge Pins |
| Parts List | | | |