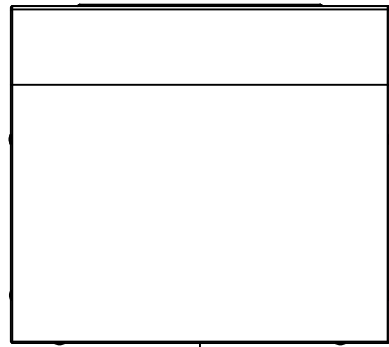
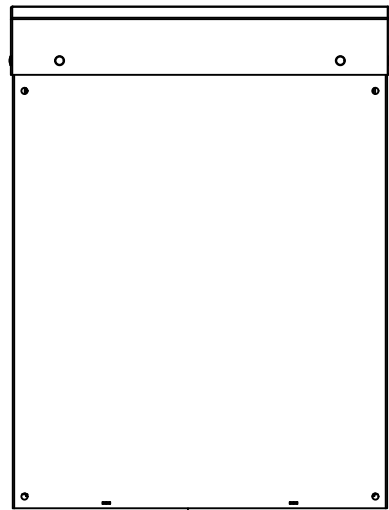


This drawing is confidential and must not be reproduced or used without the consent of EXM

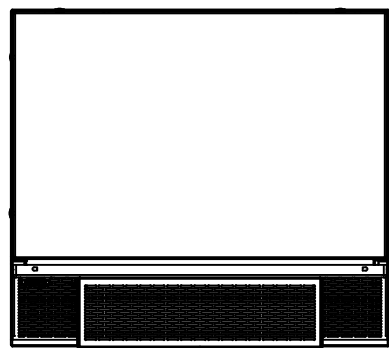
Ce dessin est confidentiel et ne doit pas être reproduit ou utilisé sans le consentement de EXM



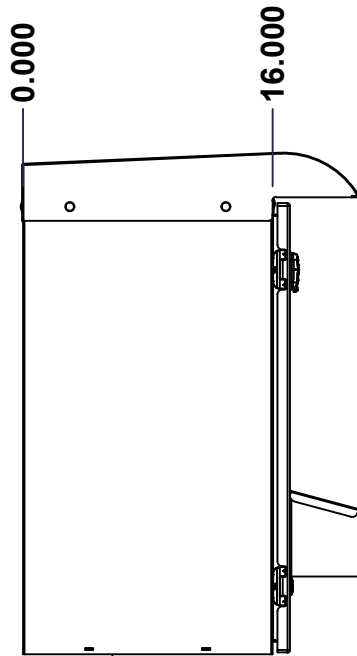
TOP



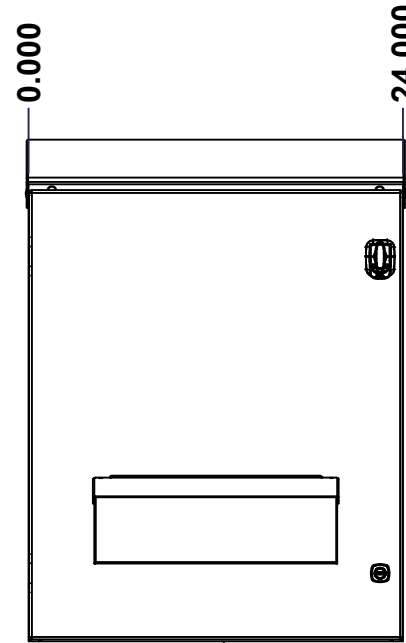
BACK



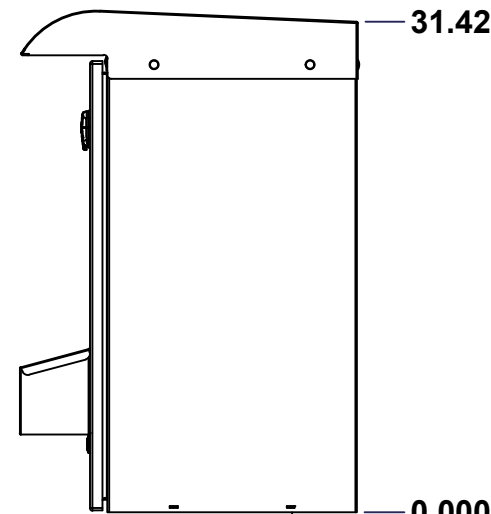
BOTTOM



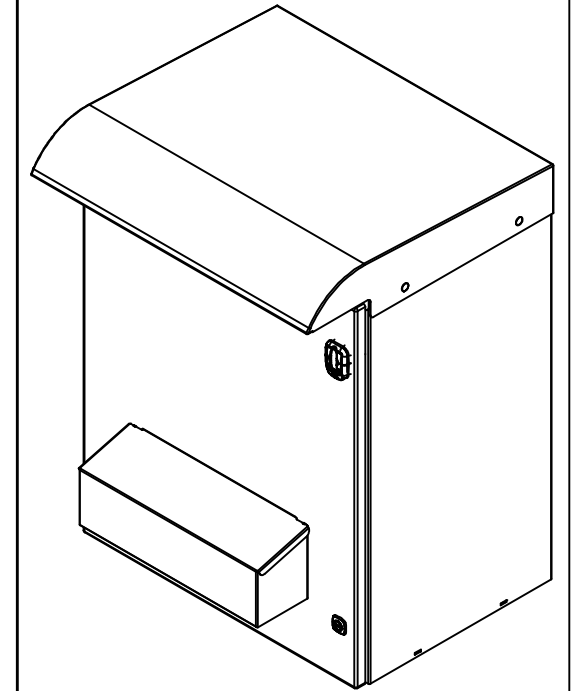
LEFT



FRONT




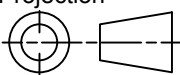
RIGHT



Isometric View



No.	Revisions	Date	By/Par

 Tél: (450) 979-4373 Fax: (450) 979-4626 www.exmweb.com		Flatness Aplatissement Max 3.0mm Projection 
Customer Client	Date	
Drawn By Dessiné Par	BoxCad: BoxCad	Date 13-Jun-18
Material Matière	14 Ga Cold Rolled A1008 CS Type B (1.7mm)	
Color Couleur	White RAL9003	Finish Fini Rough Textured
Description 5300EWB 29" x 24" x 16" Assembly		Detail Rev.
Part Number Numéro Pièce	Rev. 0	1 9

SEE BILL OF MATERIAL ON LAST PAGE

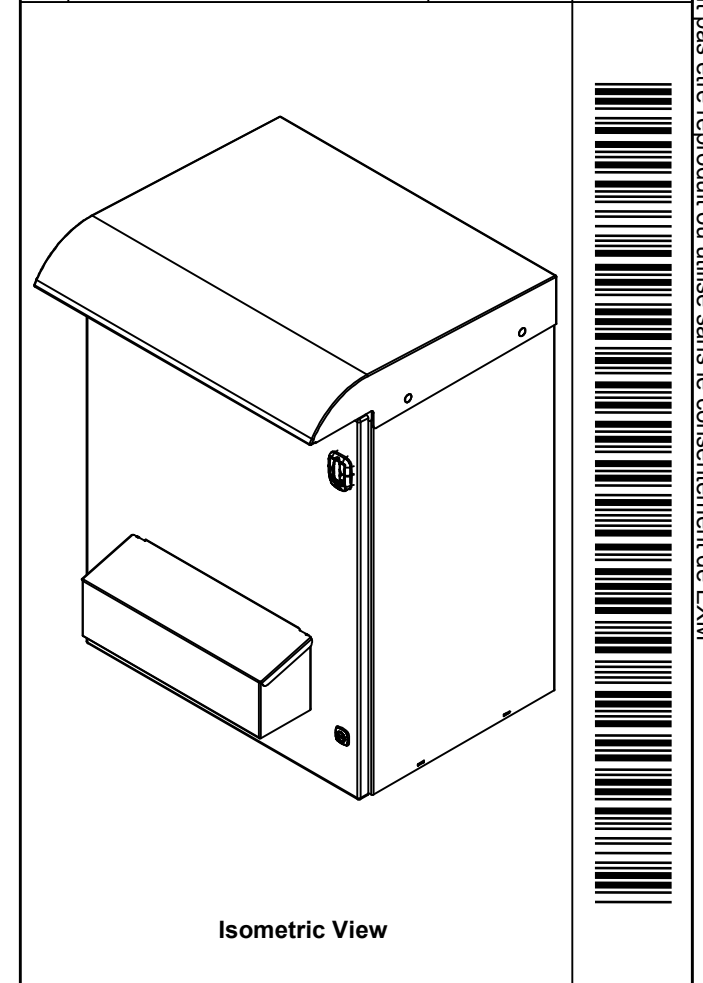
5300EWB292416


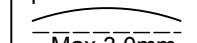
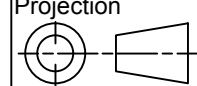
This drawing is confidential and must not be reproduced or used without the consent of EXM

Ce dessin est confidentiel et ne doit pas être reproduit ou utilisé sans le consentement de EXM

NOTE	
ITEM	DESCRIPTION
1	NEMA 3/3R Enclosure
2	C/W Powdura® Epoxy Powder Coating Primer
3	C/W Standard ground studs on box and cover
4	W/O Standard door stiffener
5	W/O Inner panel
6	C/W Standard inner panel mounting studs
7	C/W 01141.9-00 Included (Installed)

No.	Revisions	Date	By/Par



 Tél: (450) 979-4373 Fax: (450) 979-4626 www.exmweb.com	Flatness Aplatissement  Max 3.0mm
	Projection 
Customer Client	Date
Drawn By Dessiné Par BoxCad: BoxCad	Date 13-Jun-18
Material Matière 14 Ga Cold Rolled A1008 CS Type B (1.7mm)	
Color Couleur White RAL9003	Finish Fini Rough Textured

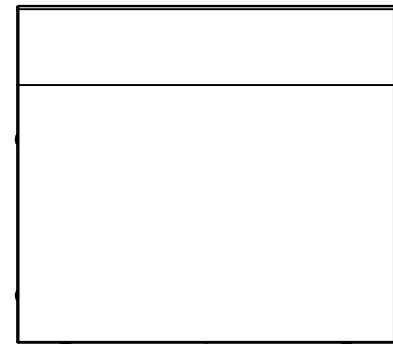
PACKING		
ITEM	QTY	DESCRIPTION
Cardboard sleeve	2	Top and Bottom
Cardboard strip	2	Between back of enclosure and inner panel
Plastic bag	1	To protect cover surface and inside gasket
Plastic strap - Black	2	To Squeeze the 2 cardboard sleeve together
Packaging label	1	White label with product number

1	5300EWB292416C	0	5300EWB 29" x 24" x 16" Cover
1	5300EWB292416B	0	5300EWB 29" x 24" x 16" Body
Qty	Part Number	Rev	Description
Parts List			

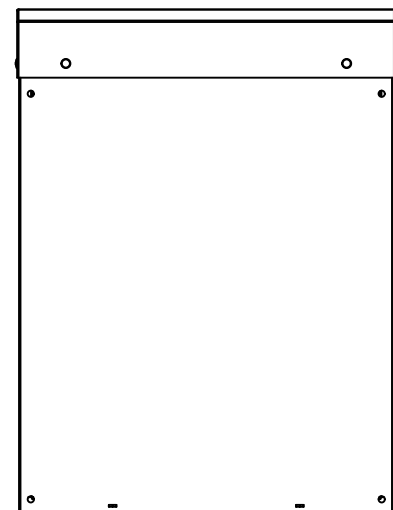
Description	Detail Rev.
5300EWB 29" x 24" x 16" Assembly	
Part Number Numéro Pièce	Rev.
5300EWB292416	0
	2
	9

This drawing is confidential and must not be reproduced or used without the consent of EXM

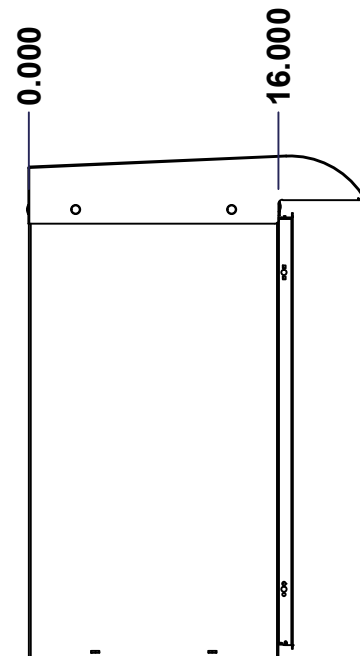
Ce dessin est confidentiel et ne doit pas être reproduit ou utilisé sans le consentement de EXM



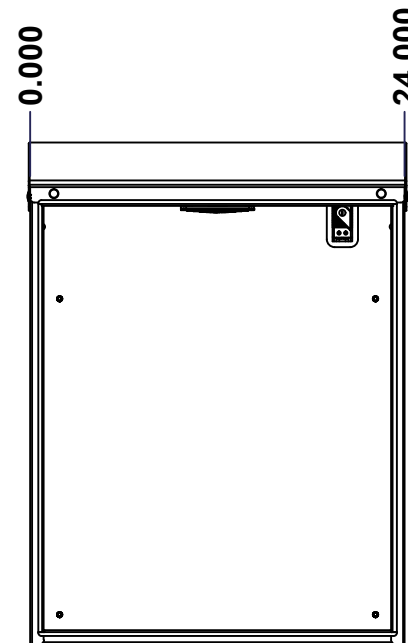
TOP



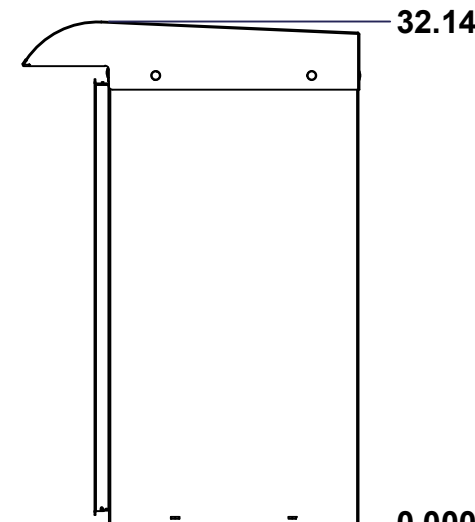
BACK



LEFT



FRONT

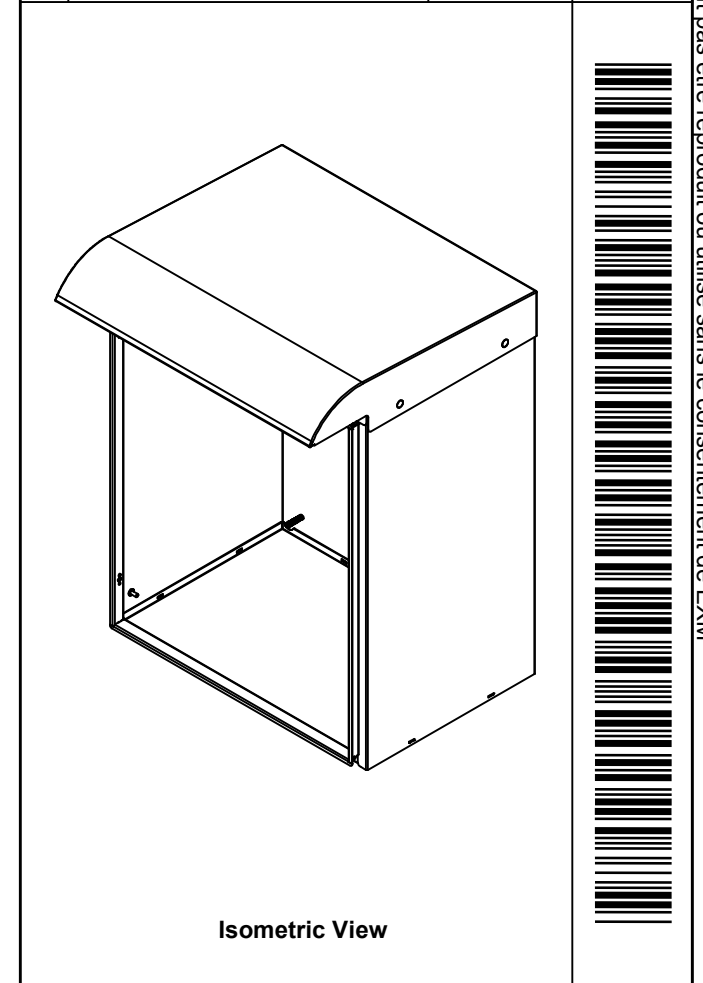


RIGHT




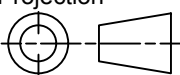
BOTTOM

No.	Revisions	Date	By/Par



Isometric View



 Tél: (450) 979-4373 Fax: (450) 979-4626 www.exmweb.com		Flatness Aplatissement Max 3.0mm Projection 
Customer Client	Date	
Drawn By Dessiné Par	BoxCad: BoxCad	Date 13-Jun-18
Material Matière	14 Ga Cold Rolled A1008 CS Type B (1.7mm)	
Color Couleur	White RAL9003	Finish Fini Rough Textured
Description	Detail Rev.	
5300EWB 29" x 24" x 16" Body		
Part Number Numéro Pièce	Rev.	3
5300EWB292416B	0	9

SEE BILL OF MATERIAL ON LAST PAGE

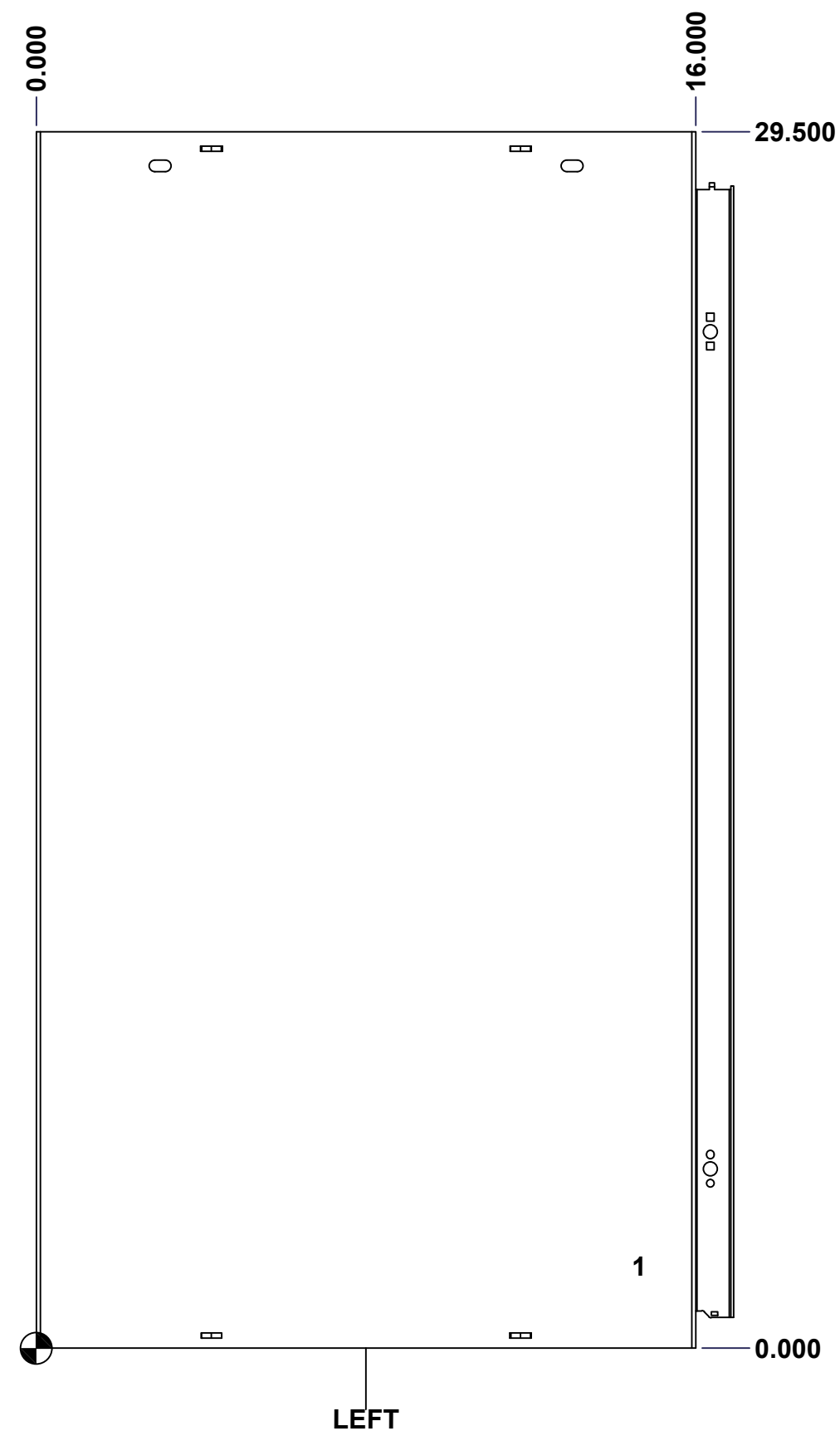
This drawing is confidential and must not be reproduced or used without the consent of EXM

Ce dessin est confidentiel et ne doit pas être reproduit ou utilisé sans le consentement de EXM

STANDARD FEATURES ARE NOT LISTED IN THIS HOLE TABLE

HOLE TABLE - LEFT VIEW (CUSTOM FEATURE ONLY)

CUT-OUT	XDIM	YDIM	DESCRIPTION
1	14.500	2.000	GND STUD M6 x 16mm (Inside)



	Description	Status	
	5300EWB 29" x 24" x 16" Body	(NULL)	
Part Number Numéro Pièce 5300EWB292416B	Rev.	4	9
	0		

This drawing is confidential and must not be reproduced or used without the consent of EXM

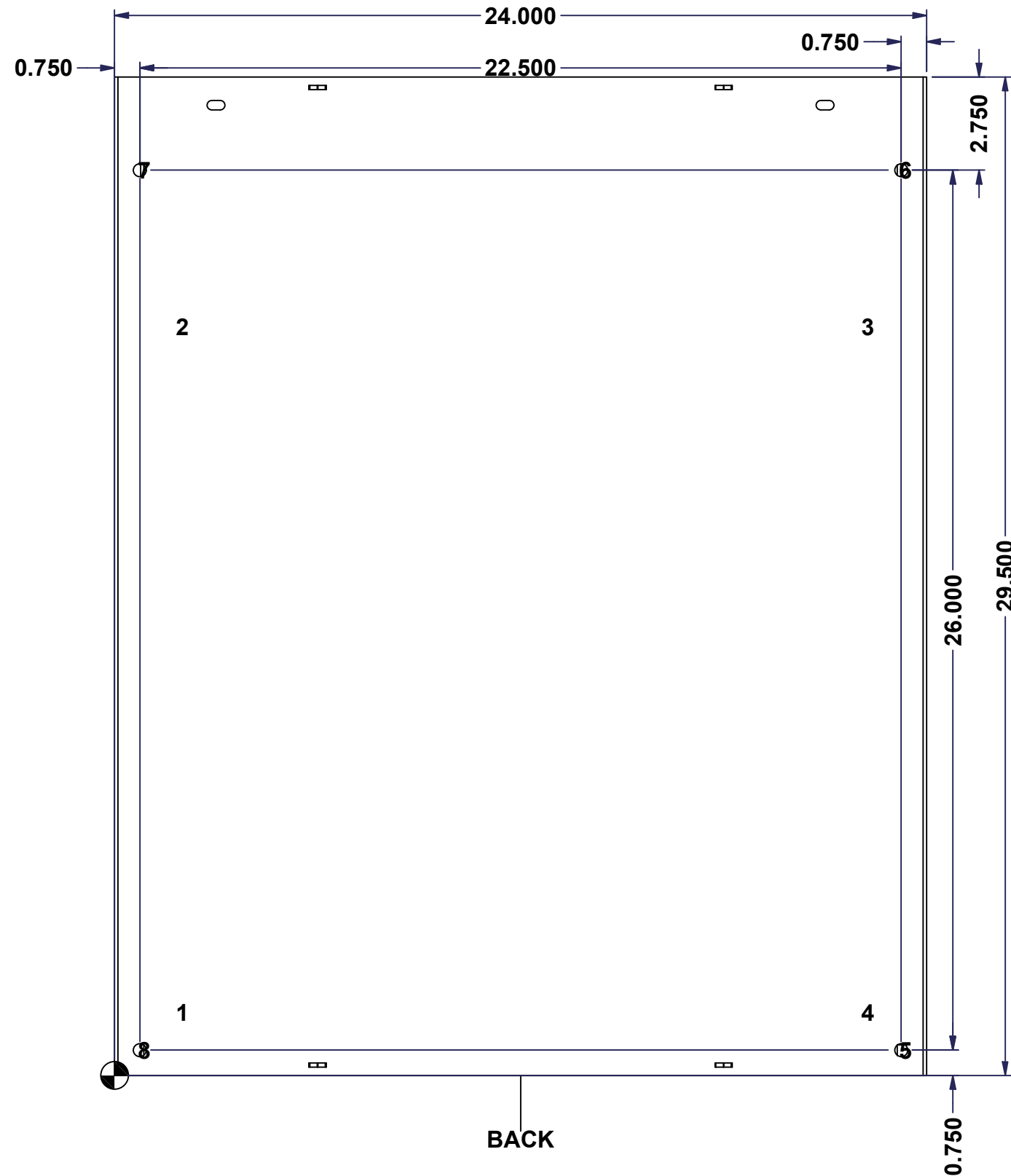
Ce dessin est confidentiel et ne doit pas être reproduit ou utilisé sans le consentement de EXM

STANDARD FEATURES ARE NOT LISTED IN THIS HOLE TABLE

HOLE TABLE - BACK VIEW (CUSTOM FEATURE ONLY)

CUT-OUT	XDIM	YDIM	DESCRIPTION
1	1.875	1.875	IP STUD M8 x 35mm (Inside)
2	1.875	22.125	IP STUD M8 x 35mm (Inside)
3	22.125	22.125	IP STUD M8 x 35mm (Inside)
4	22.125	1.875	IP STUD M8 x 35mm (Inside)

5	23.250	0.750	RND Ø0.390
6	23.250	26.750	RND Ø0.390
7	0.750	26.750	RND Ø0.390
8	0.750	0.750	RND Ø0.390

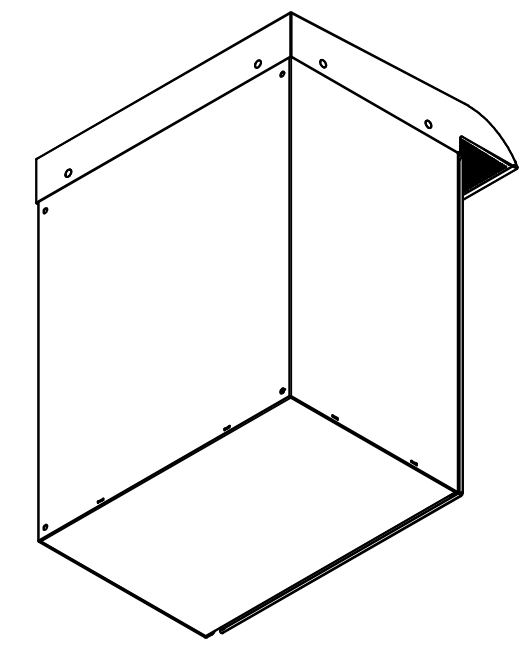


	Description	Status	
	5300EWB 29" x 24" x 16" Body	(NULL)	
	Part Number Numéro Pièce	Rev.	5
	5300EWB292416B	0	9

This drawing is confidential and must not be reproduced or used without the consent of EXM

Ce dessin est confidentiel et ne doit pas être reproduit ou utilisé sans le consentement de EXM

No.	Revisions	Date	By/Par


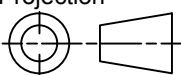


Isometric View



1	STK-Q-16080	0	Ground Stud M6 x 16mm Steel
1	STK-P-04752	0	Epoxy Primer Gray Powdura EAS6-C0000 (Bottom Layer)
1	STK-P-02401R	0	Powder Paint (White / Rough Textured)
1	01141.9-00	0	Small Thermostat (°F Normally Open)
2	STK-Q-05020	5	M5 x 8mm Thread Rolling Screw
1	5300EWB292416TH-P	0	5300EWB Thermostat Support Part
1	880FP150-117-115	8	Filter Fan - 150mm x 150mm (117CFM)
1	5300EWB292416GP-P	0	5300EWB 29" x 24" x 16" Fan Gland Plate Part
8	STK-Q-07220	1	M6 Nylon Insert Lock Nut
8	STK-Q-00260	1	M6 x 13mm Carriage Bolt
1	5300EWB292416T-P	0	5300EWB 24" x 16" Top Part
4	STK-Q-16005	1	Stud M8 x 35 (No Paint Cap Required)
1	5300EWB292416BT-P	0	5300EWB 29" x 24" x 16" Bottom Part
1	5300EWB292416F-P	0	5300EWB 29" x 24" x 16" Front Part
1	5300EWB292416B-P	0	5300EWB 29" x 24" x 16" Body Part

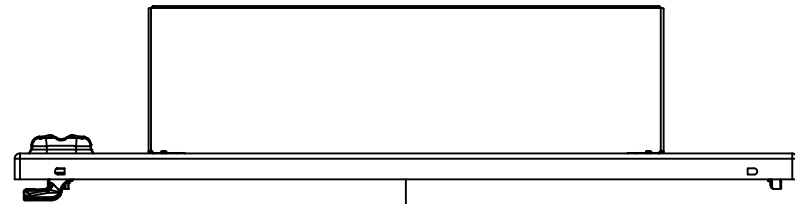
Qty	Part Number	Rev	Description
Parts List			

 Tél: (450) 979-4373 Fax: (450) 979-4626 www.exmweb.com	Flatness Aplatissement
	Max 3.0mm
Projection	
Customer Client	Date
Drawn By Dessiné Par BoxCad: BoxCad	Date 13-Jun-18
Material Matière 14 Ga Cold Rolled A1008 CS Type B (1.7mm)	
Color Couleur White RAL9003	Finish Fini Rough Textured
Description 5300EWB 29" x 24" x 16" Body	Detail Rev.
Part Number Numéro Pièce 5300EWB292416B	Rev. 0

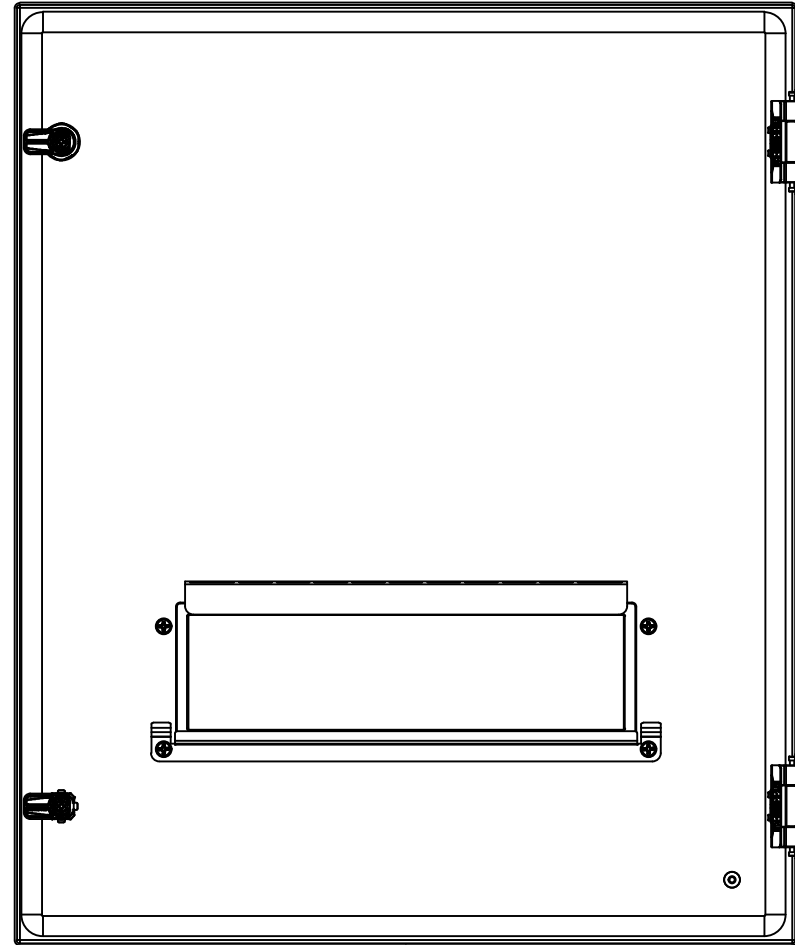
6
9

This drawing is confidential and must not be reproduced or used without the consent of EXM

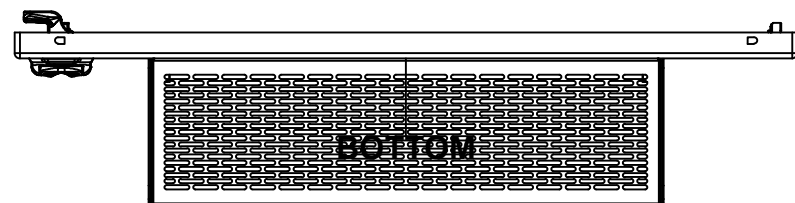
Ce dessin est confidentiel et ne doit pas être reproduit ou utilisé sans le consentement de EXM



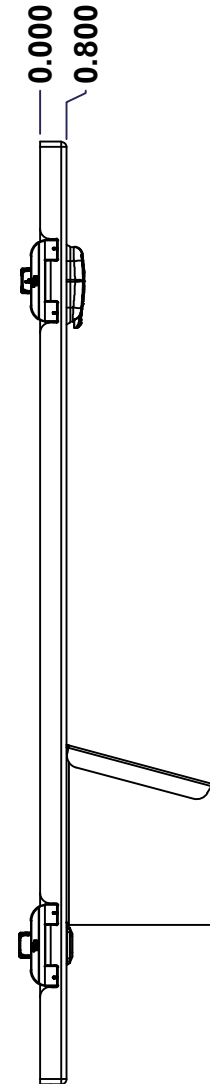
TOP



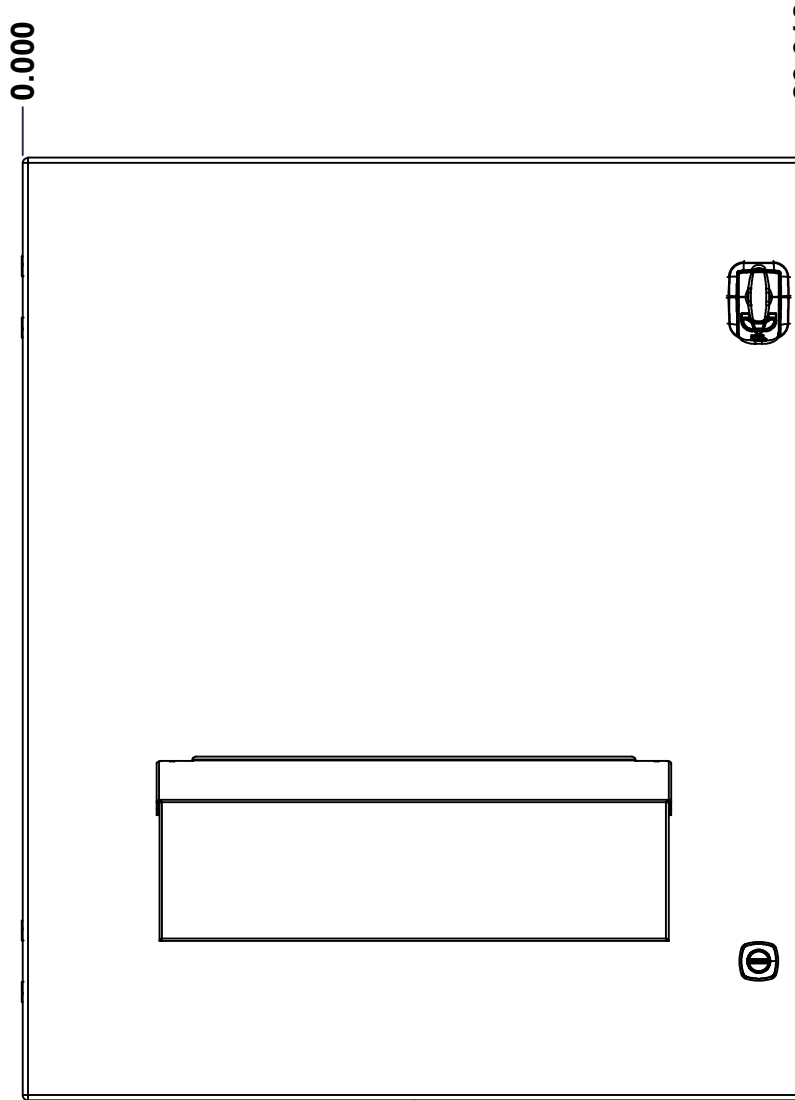
BACK



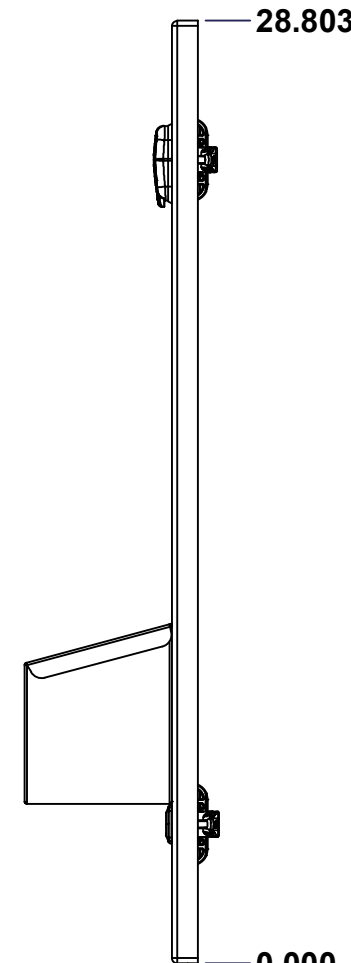
BOTTOM



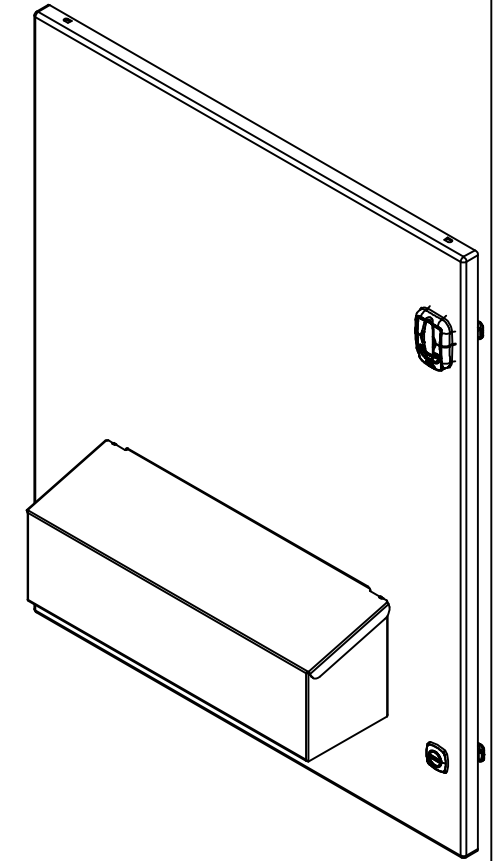
LEFT



FRONT



RIGHT



Isometric View



0.000
0.800


0.000

23.918

28.803

0.000

No.	Revisions	Date	By/Par

 Tél: (450) 979-4373 Fax: (450) 979-4626 www.exmweb.com		Flatness Aplatissement	
		Max 3.0mm	
Customer Client		Date	
Drawn By Dessiné Par BoxCad: BoxCad		Date 13-Jun-18	
Material Matière 14 Ga Cold Rolled A1008 CS Type B (1.7mm)			
Color Couleur White RAL9003		Finish Fini Rough Textured	
Description 5300EWB 29" x 24" x 16" Cover			Detail Rev.
Part Number Numéro Pièce 5300EWB292416C		Rev. 0	7 9

SEE BILL OF MATERIAL ON LAST PAGE

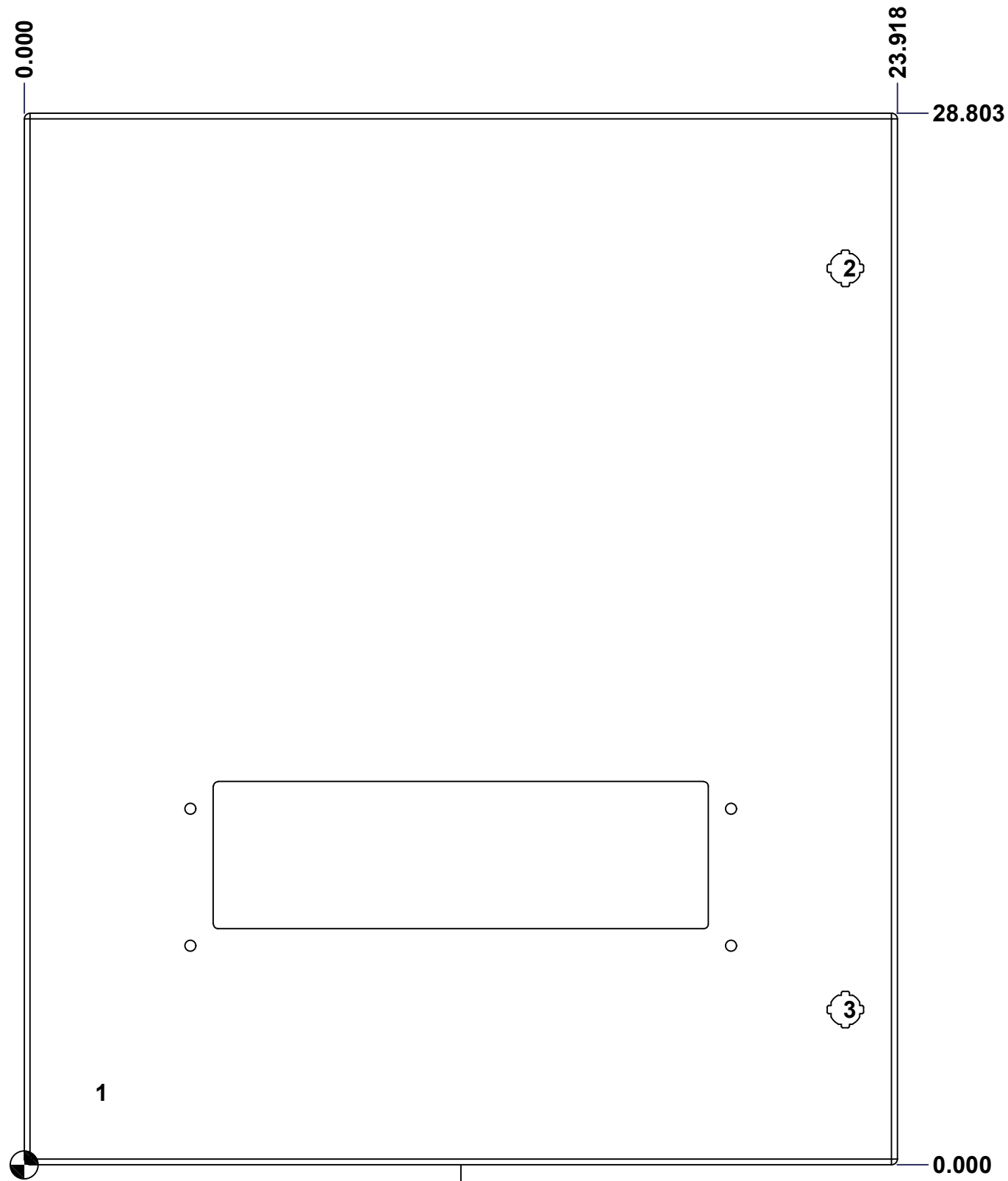
This drawing is confidential and must not be reproduced or used without the consent of EXM

Ce dessin est confidentiel et ne doit pas être reproduit ou utilisé sans le consentement de EXM

STANDARD FEATURES ARE NOT LISTED IN THIS HOLE TABLE

HOLE TABLE - FRONT VIEW (CUSTOM FEATURE ONLY)

CUT-OUT	XDIM	YDIM	DESCRIPTION
1	2.000	2.000	GND STUD M6 x 16mm (Inside)
2	22.494	24.553	880 SCQ4PL-SL
3	22.494	4.250	880 SCQ4-SL



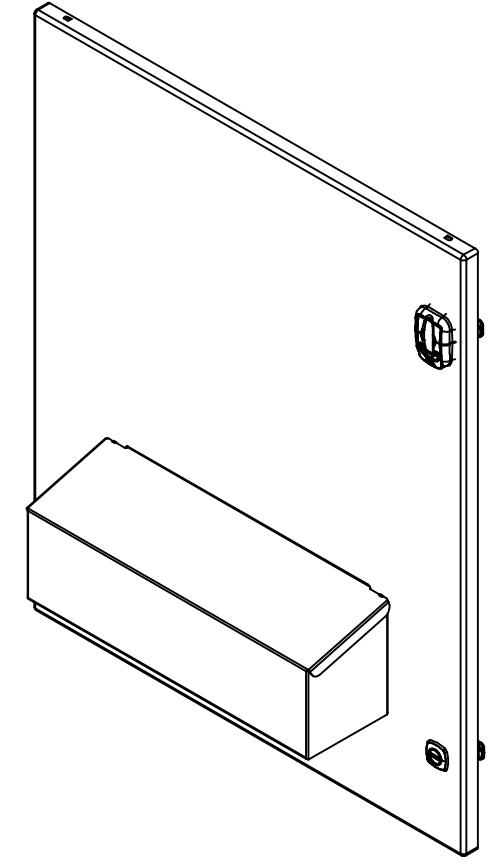
FRONT

	Description	Status
	5300EWB 29" x 24" Cover	(NULL)
Part Number Numéro Pièce 5300EWB292416C	Rev.	8
	0	9

This drawing is confidential and must not be reproduced or used without the consent of EXM

Ce dessin est confidentiel et ne doit pas être reproduit ou utilisé sans le consentement de EXM

No.	Revisions	Date	By/Par



Isometric View



Tél: (450) 979-4373
 Fax: (450) 979-4626
www.exmweb.com

Flatness
Aplatissement
Max 3.0mm
Projection

1	STK-K-12500	16	5412 ES 1/4 Turn Lock
1	880 SCQ4PL-SL	3	5412 ES Padlockable 1/4 Turn Lock
1	STK-Q-16080	0	Ground Stud M6 x 16mm Steel
1	STK-P-04752	0	Epoxy Primer Gray Powdura EAS6-C0000 (Bottom Layer)
1	STK-P-02401R	0	Powder Paint (White / Rough Textured)
1	5300EWB292416LPF	0	Filter 14.062" x 4.250"
1	5300EWB292416FPH117	0	5300EWB 29" x 24" x 16" Rain Hood
1	5300EWB292416G	0	5300EWB 29" x 24" Cover Gasket Part
2	STK-K-09800	10	5412 ES Hinge with 2 Captive Hinge Pins
1	5300EWB292416C-P	0	5300EWB 29" x 24" Cover Part

Customer Client	Date
Drawn By / Dessiné Par: BoxCad: BoxCad	Date: 13-Jun-18
Material / Matière: 14 Ga Cold Rolled A1008 CS Type B (1.7mm)	
Color / Couleur: White RAL9003	Finish / Fini: Rough Textured
Description: 5300EWB 29" x 24" x 16" Cover	Detail Rev.
Part Number / Numéro Pièce: 5300EWB292416C	Rev. 0 / 9

Qty	Part Name	Rev	Description
Parts List			