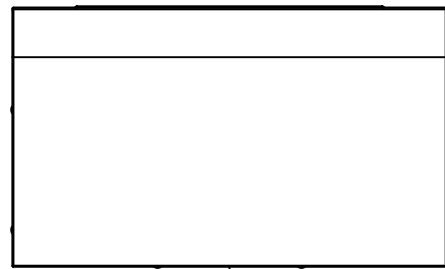
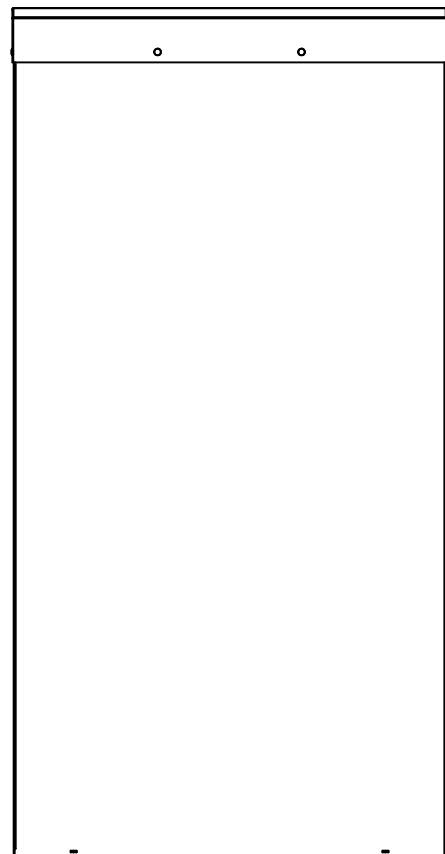


This drawing is confidential and must not be reproduced or used without the consent of EXM

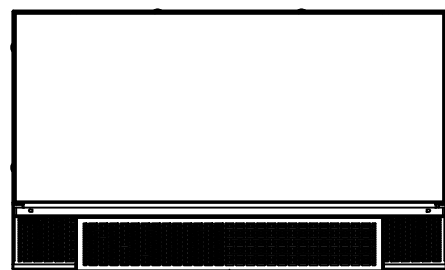
Ce dessin est confidentiel et ne doit pas être reproduit ou utilisé sans le consentement de EXM



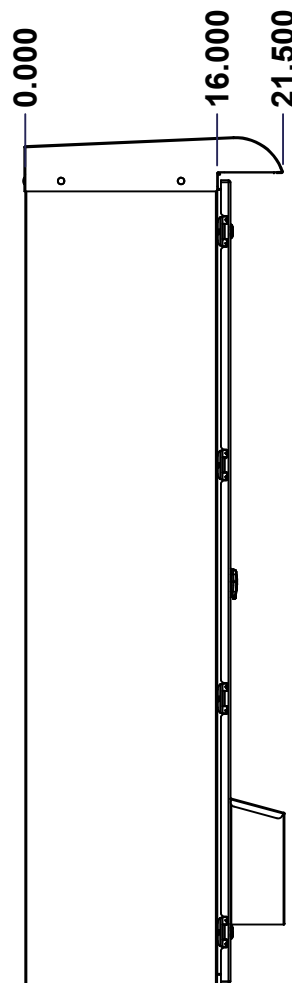
TOP



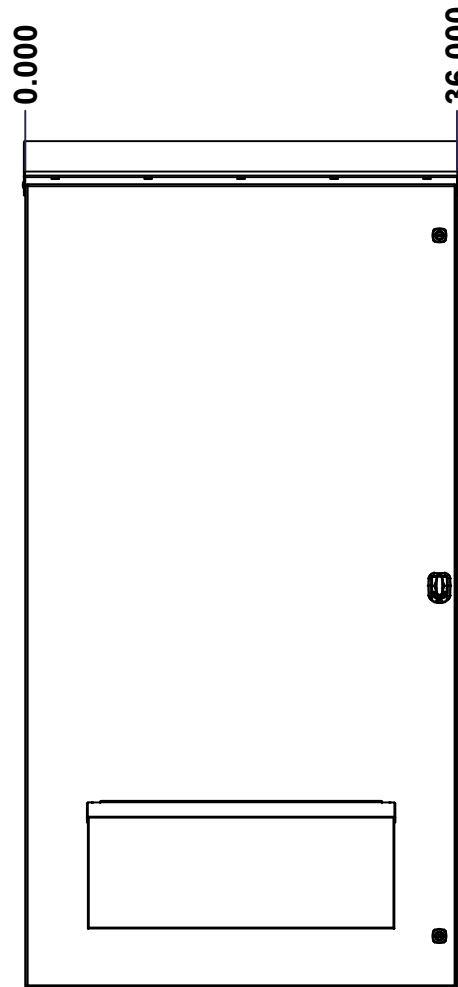
BACK



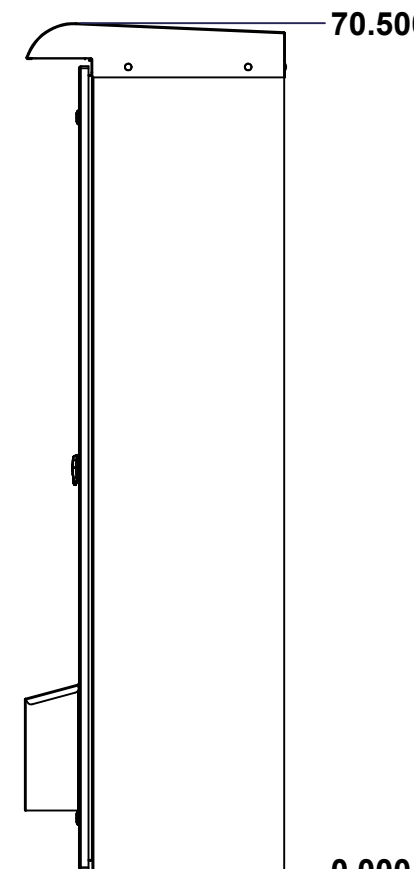
BOTTOM



LEFT

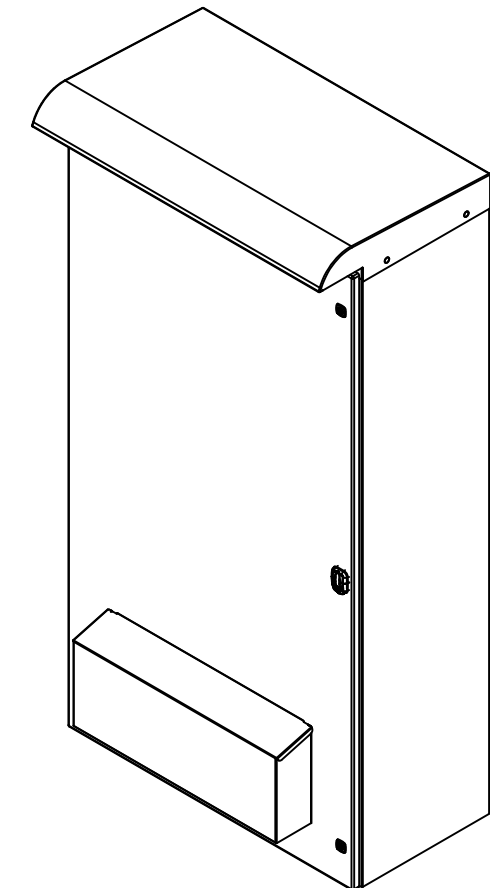


FRONT




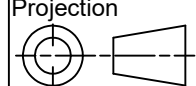
RIGHT

No.	Revisions	Date	By/Par



Isometric View



 Tél: (450) 979-4373 Fax: (450) 979-4626 <a href="http://www.exmweb.com">www.exmweb.com</a>		Flatness Aplatissement Max 3.0mm Projection 
Customer Client	Date	
Drawn By Dessiné Par	BoxCad: BoxCad	Date 15-Mar-21
Material Matière	14 Ga H.R.P. & O. (1.7mm)	
Color Couleur	White RAL9003	Finish Fini Rough Textured
Description 5300EWB 67" x 36" x 16" Assembly		Detail Rev.
Part Number Numéro Pièce	Rev. 0	1 2

SEE BILL OF MATERIAL ON LAST PAGE

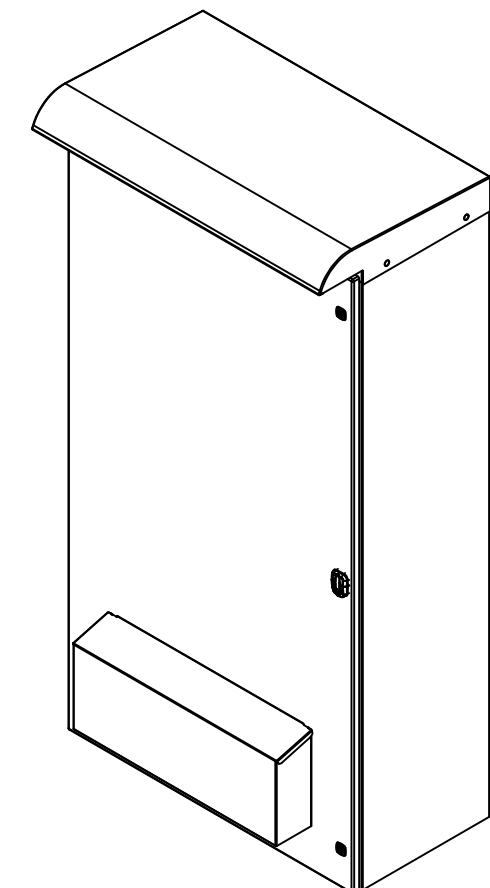
**5300EWB673616**

This drawing is confidential and must not be reproduced or used without the consent of EXM

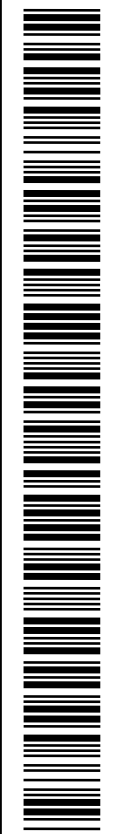
Ce dessin est confidentiel et ne doit pas être reproduit ou utilisé sans le consentement de EXM

NOTE	
ITEM	DESCRIPTION
1	NEMA 3/3R Enclosure
2	C/W Powdura® Epoxy Powder Coating Primer
3	C/W Standard ground studs on box and cover
4	W/O Standard door stiffener
5	W/O Inner panel
6	C/W Standard inner panel mounting studs
7	C/W 01141.9-00 Sold separately (Not installed)

No.	Revisions	Date	By/Par



Isometric View



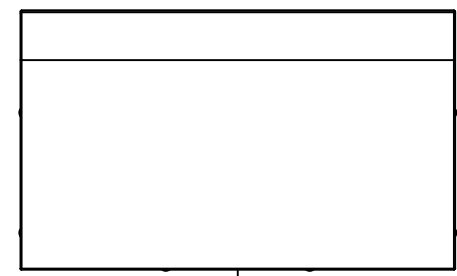
PACKING		
ITEM	QTY	DESCRIPTION
Cardboard sleeve	2	Top and Bottom
Cardboard strip	2	Between back of enclosure and inner panel
Plastic bag	1	To protect cover surface and inside gasket
Cardboard corner	4	To reinforced for the plastic strap tightening
Plastic strap - Black	2	To Squeeze 2 cardboard sleeve together
Packaging label	3	White label with PN
Plastic strap- Green	2	To secure the enclosure to the wood pallet
Wood Pallet	1	2" deeper and 3" larger than enclosure size

Qty	Part Number	Rev	Description
1	5300EWB673616C	0	5300EWB 67" x 36" x 16" Cover
1	5300EWB673616B	0	5300EWB 67" x 36" x 16" Body
Parts List			

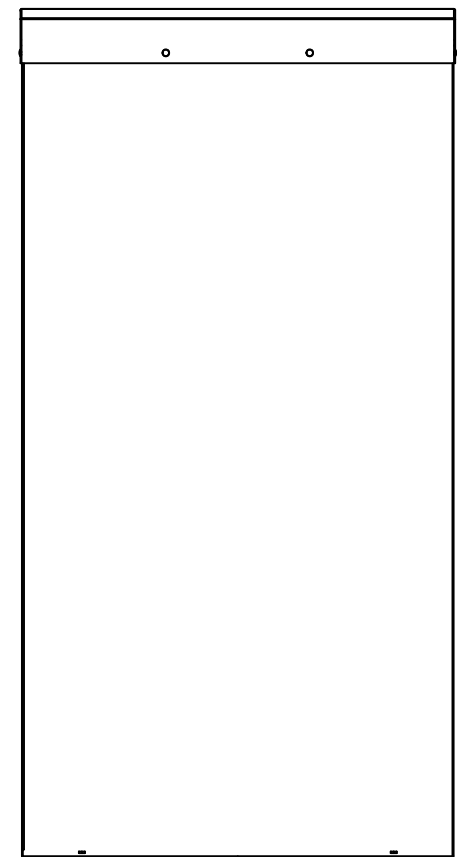
	Tél: (450) 979-4373 Fax: (450) 979-4626 <a href="http://www.exmweb.com">www.exmweb.com</a>	Flatness Aplatissement Max 3.0mm Projection 
	Customer Client	Date
Drawn By Dessiné Par	BoxCad: BoxCad	Date 15-Mar-21
Material Matière	14 Ga H.R.P. & O. (1.7mm)	
Color Couleur	White RAL9003	Finish Fini Rough Textured
Description 5300EWB 67" x 36" x 16" Assembly	Detail Rev.	
Part Number Numéro Pièce <b>5300EWB673616</b>	Rev. 0	2 / 2

This drawing is confidential and must not be reproduced or used without the consent of EXM

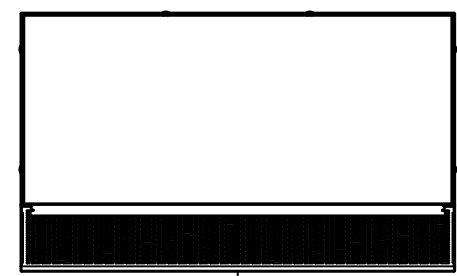
Ce dessin est confidentiel et ne doit pas être reproduit ou utilisé sans le consentement de EXM



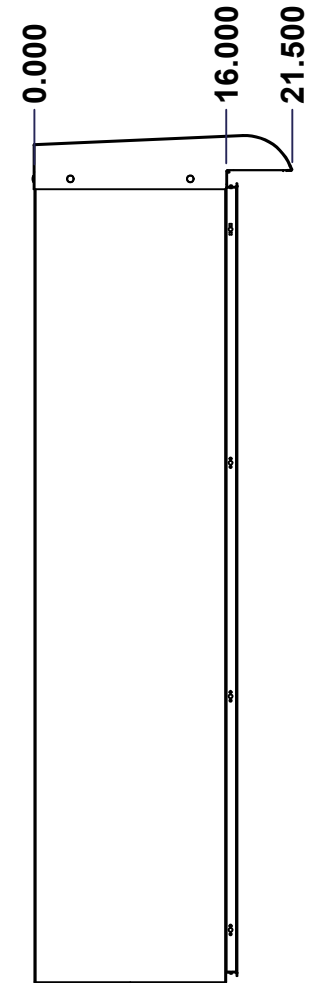
TOP



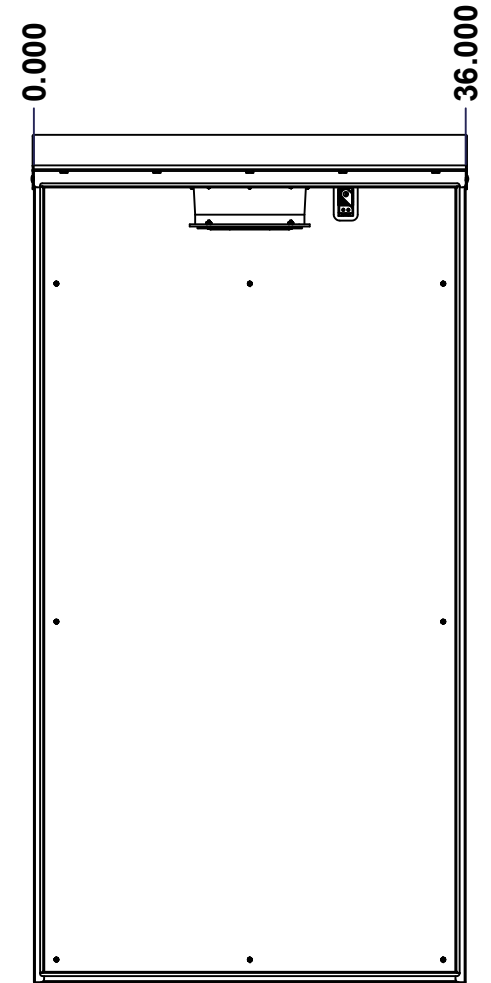
BACK



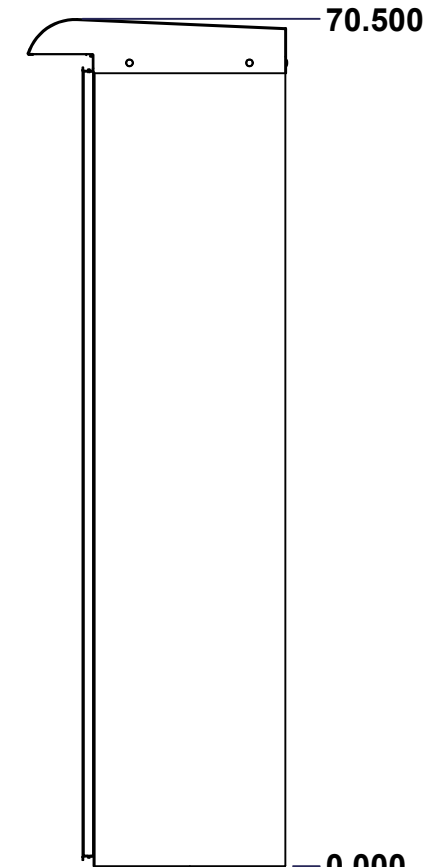
BOTTOM



LEFT

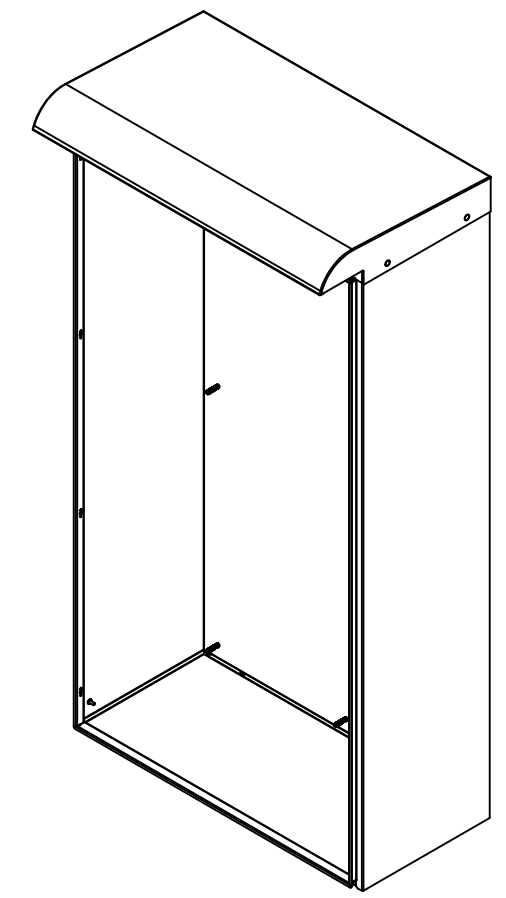


FRONT




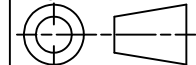
RIGHT

No.	Revisions	Date	By/Par



Isometric View



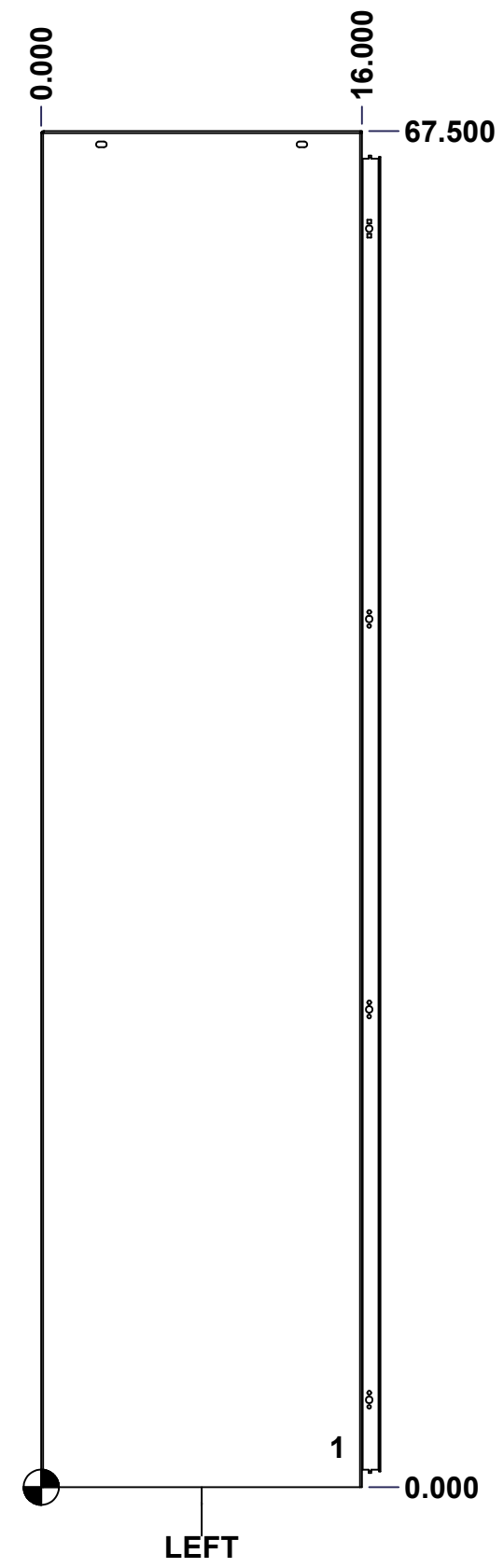
 Tél: (450) 979-4373 Fax: (450) 979-4626 <a href="http://www.exmweb.com">www.exmweb.com</a>		Flatness Aplatissement Max 3.0mm Projection 
Customer Client	Date	
Drawn By Dessiné Par	BoxCad: BoxCad	Date 15-Mar-21
Material Matière	14 Ga H.R.P. & O. (1.7mm)	
Color Couleur	White RAL9003	Finish Fini Rough Textured
Description	Detail Rev.	
5300EWB 67" x 36" x 16" Body		
Part Number Numéro Pièce	Rev. 0	1 / 7
<b>5300EWB673616B</b>		

SEE BILL OF MATERIAL ON LAST PAGE

This drawing is confidential and must not be reproduced or used without the consent of EXM

Ce dessin est confidentiel et ne doit pas être reproduit ou utilisé sans le consentement de EXM

<b>STANDARD FEATURES ARE NOT LISTED IN THIS HOLE TABLE</b>			
<b>HOLE TABLE - LEFT VIEW (CUSTOM FEATURE ONLY)</b>			
CUT-OUT	XDIM	YDIM	DESCRIPTION
1	14.500	2.000	GND STUD M6 x 16mm (Inside)



	Description	Status	
	5300EWB 67" x 36" x 16" Body		
	Part Number Numéro Pièce	Rev.	5 7
	<b>5300EWB673616B</b>	<b>0</b>	

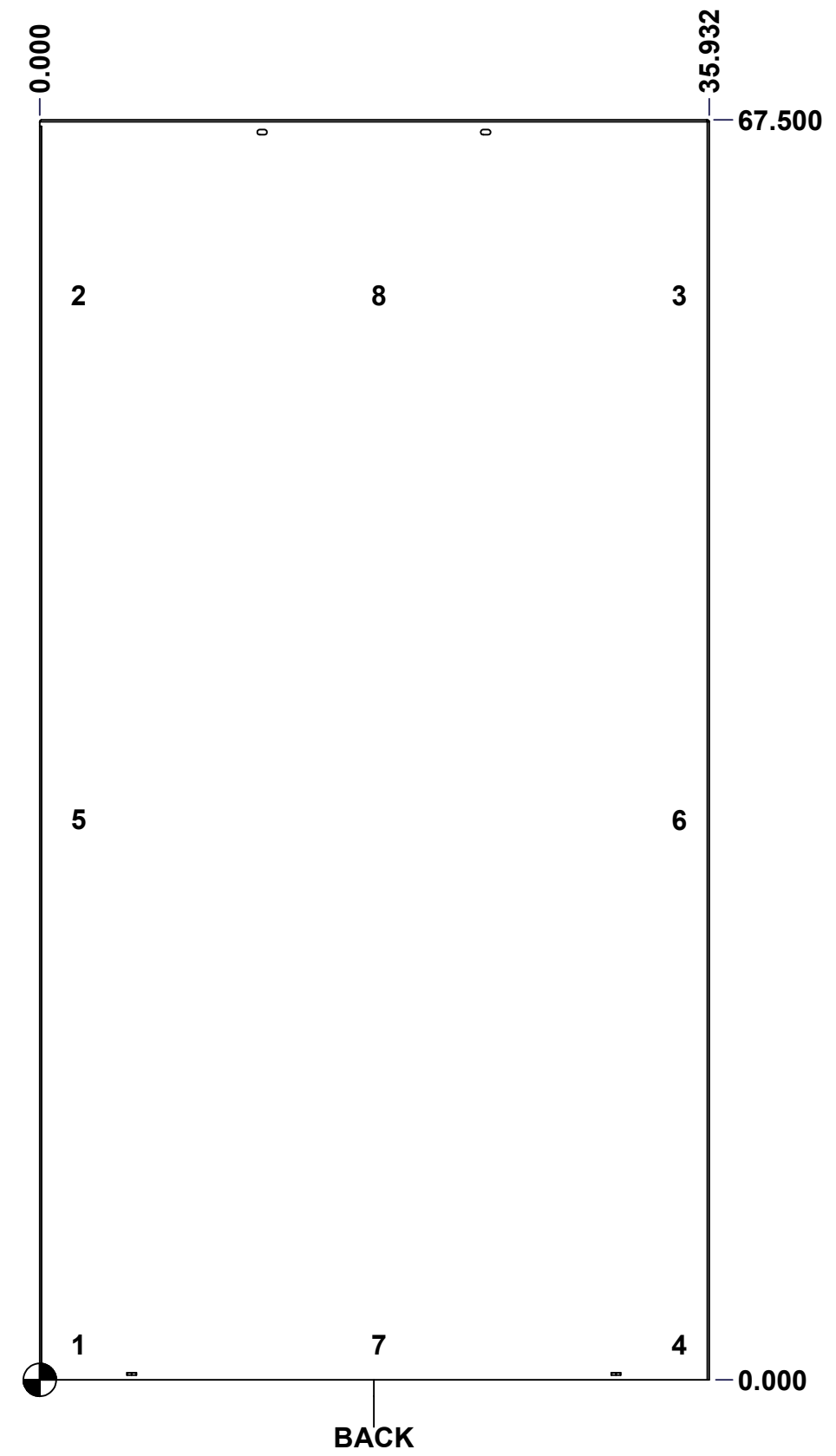
This drawing is confidential and must not be reproduced or used without the consent of EXM

Ce dessin est confidentiel et ne doit pas être reproduit ou utilisé sans le consentement de EXM

**STANDARD FEATURES ARE NOT LISTED IN THIS HOLE TABLE**

**HOLE TABLE - BACK VIEW (CUSTOM FEATURE ONLY)**

CUT-OUT	XDIM	YDIM	DESCRIPTION
1	1.807	1.875	IP STUD M8 x 35mm (Inside)
2	1.807	58.125	IP STUD M8 x 35mm (Inside)
3	34.057	58.125	IP STUD M8 x 35mm (Inside)
4	34.057	1.875	IP STUD M8 x 35mm (Inside)
5	1.807	30.000	IP STUD M8 x 35mm (Inside)
6	34.057	30.000	IP STUD M8 x 35mm (Inside)
7	17.932	1.875	IP STUD M8 x 35mm (Inside)
8	17.932	58.125	IP STUD M8 x 35mm (Inside)

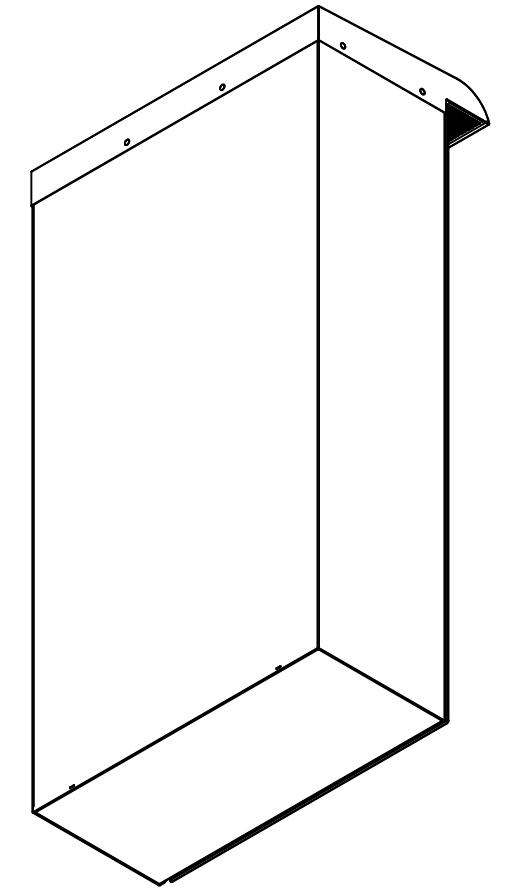


	Description	Status
	5300EWB 67" x 36" x 16" Body	
	Part Number Numéro Pièce	Rev.
	<b>5300EWB673616B</b>	<b>0</b>
		6
		7

This drawing is confidential and must not be reproduced or used without the consent of EXM

Ce dessin est confidentiel et ne doit pas être reproduit ou utilisé sans le consentement de EXM

No.	Revisions	Date	By/Par



Isometric View

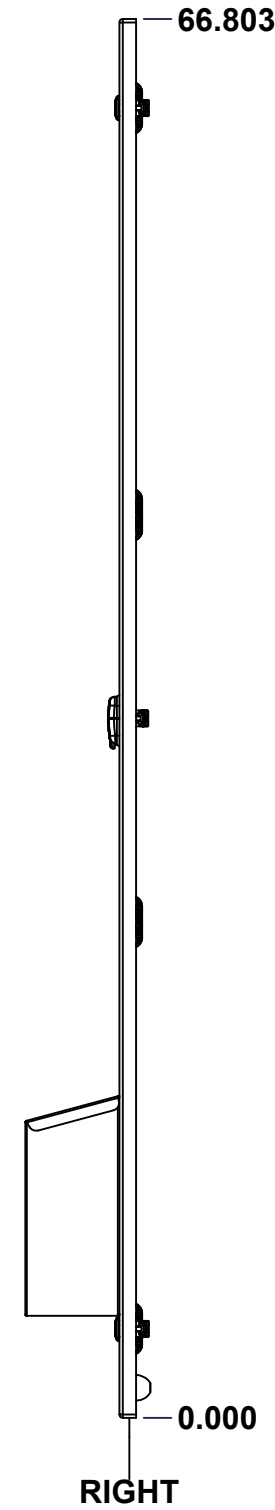
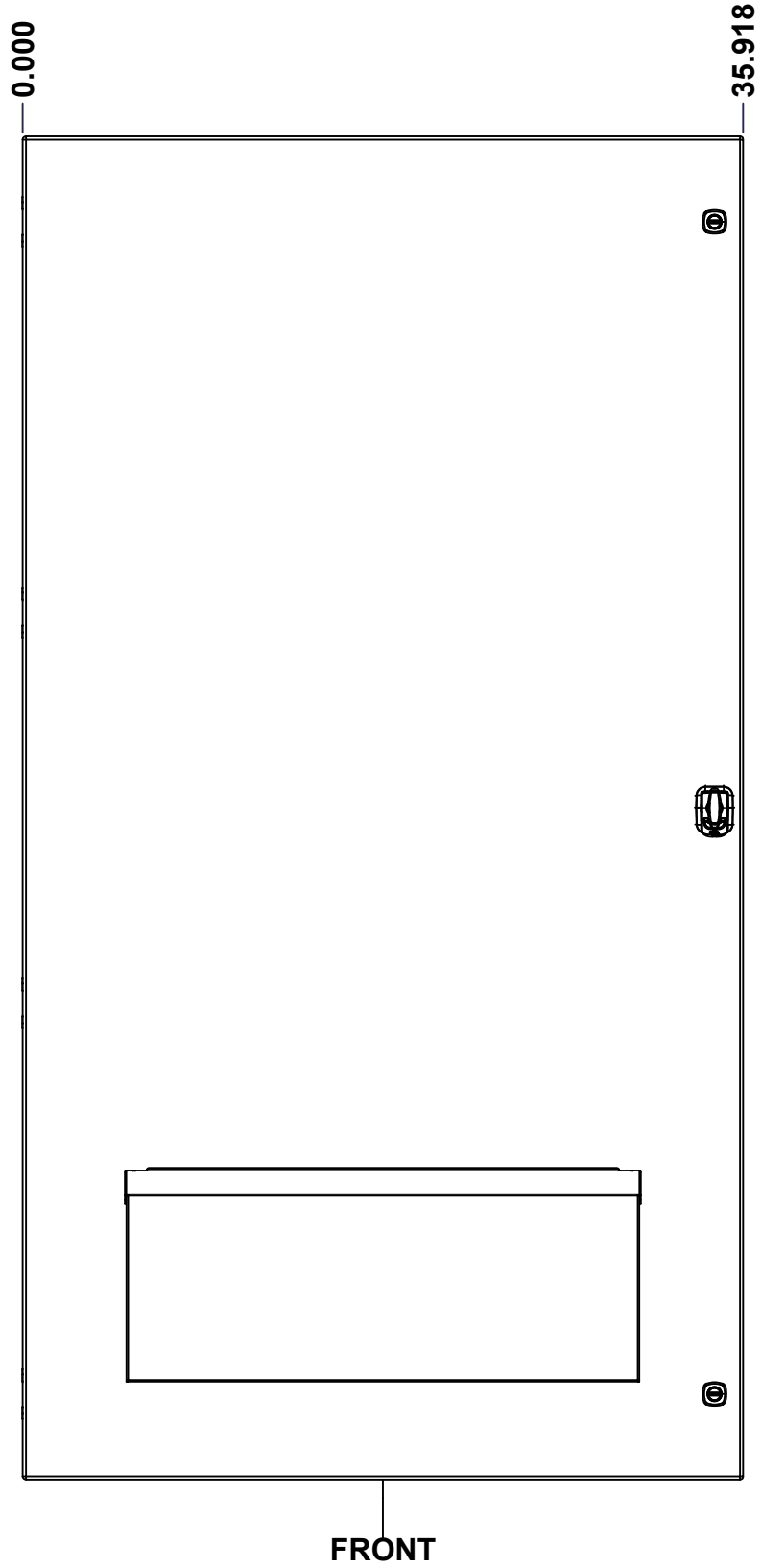
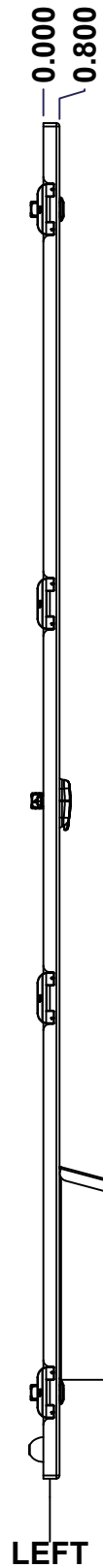
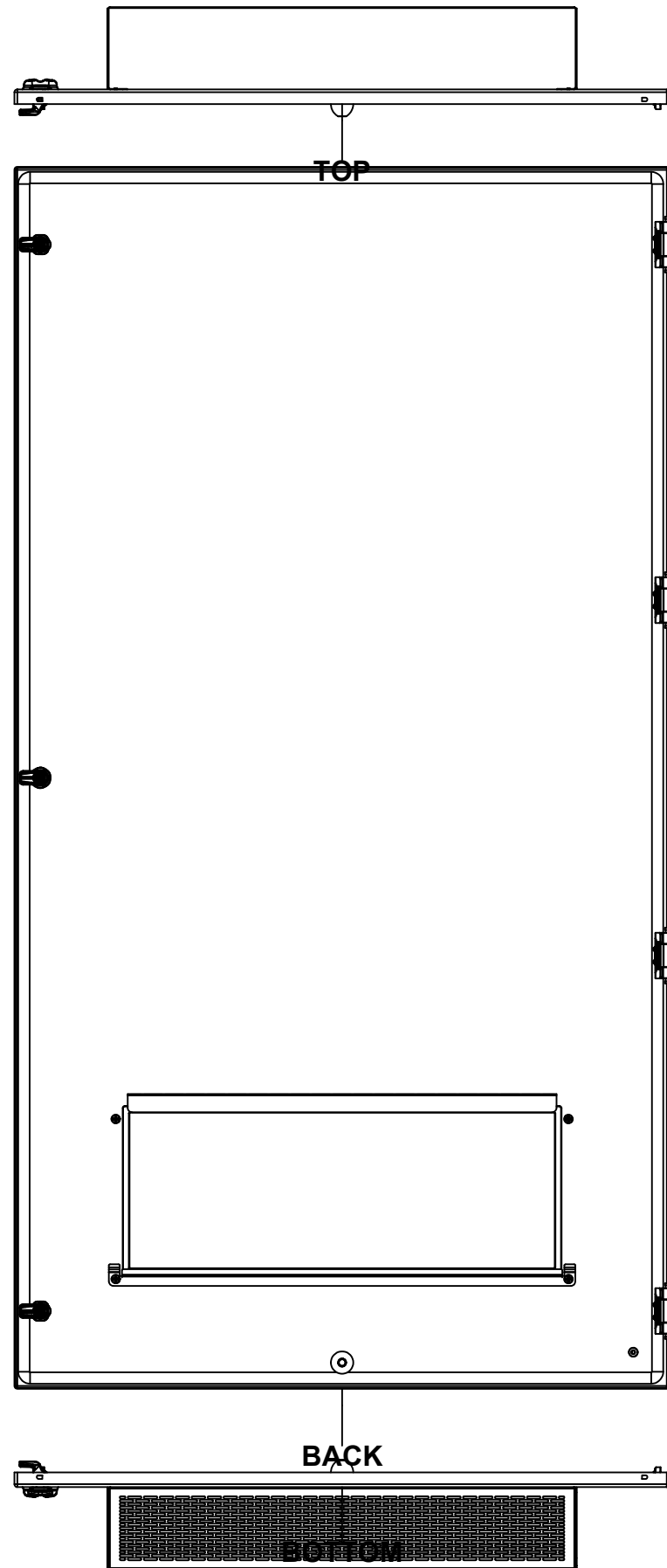


Qty	Part Number	Rev	Description
1	STK-Q-16080	0	Ground Stud M6 x 16mm
6	880HDMM06P-12	0	M6 x 12mm Pan Head Machine Screw
1	01141.9-00	0	Small Thermostat (°F Normally Open)
2	STK-Q-05020	5	M5 x 8mm Thread Rolling Screw
1	5300EWB673616TH-P	0	5300EWB Thermostat Support Part
1	880FP325-585-115	5	Filter Fan - 325mm x 325mm (585CFM)
1	5300EWB673616GP-P	0	5300EWB 67" x 36" x 16" Fan Gland Plate Part
6	STK-Q-07220	1	M6 Nylon Insert Lock Nut
6	STK-Q-00260	1	M6 x 13mm Carriage Bolt
8	STK-Q-16005	1	Stud M8 x 35 (No Paint Cap Required)
1	STK-P-04752	0	Epoxy Primer Gray Powdura EAS6-C0000 (Bottom Layer)
1	STK-P-02401R	0	Powder Paint (White / Rough Textured)
1	5300EWB673616RS-P	0	5300EWB 67" x 36" x 16" Right Side Part
1	5300EWB673616T-P	0	5300EWB 36" x 16" Top Part
6	RIVET_NUT_M6_FH_CE	0	Rivet Nut M6 (Low Profile Close End)
1	5300EWB673616BT-P	0	5300EWB 67" x 36" x 16" Bottom Part
1	5300EWB673616F-P	0	5300EWB 67" x 36" x 16" Front Part
1	5300EWB673616B-P	0	5300EWB 67" x 36" x 16" Body Part
Qty	Part Number	Rev	Description
Parts List			

Tél: (450) 979-4373 Fax: (450) 979-4626 <a href="http://www.exmweb.com">www.exmweb.com</a>	Flatness Aplatissement	Max 3.0mm
	Projection	
Customer Client	Date	
Drawn By Dessiné Par	BoxCad: BoxCad	Date 15-Mar-21
Material Matière	14 Ga H.R.P. & O. (1.7mm)	
Color Couleur	White RAL9003	Finish Fini
Description		Detail Rev.
5300EWB 67" x 36" x 16" Body		
Part Number Numéro Pièce	Rev.	7
<b>5300EWB673616B</b>	<b>0</b>	<b>7</b>

This drawing is confidential and must not be reproduced or used without the consent of EXM

Ce dessin est confidentiel et ne doit pas être reproduit ou utilisé sans le consentement de EXM



No.	Revisions	Date	By/Par

**Isometric View**

Tél: (450) 979-4373 Fax: (450) 979-4626 <a href="http://www.exmweb.com">www.exmweb.com</a>		Flatness Aplatissement	
		Max 3.0mm	
Customer Client		Projection	
Date			
Drawn By Dessiné Par	BoxCad: BoxCad	Date	15-Mar-21
Material Matière		14 Ga H.R.P. & O. (1.7mm)	
Color Couleur	White RAL9003	Finish Fin	Rough Textured
Description		Detail Rev.	
5300EWB 67" x 36" x 16" Cover			
Part Number Numéro Pièce		Rev.	1
5300EWB673616C		0	3

SEE BILL OF MATERIAL ON LAST PAGE

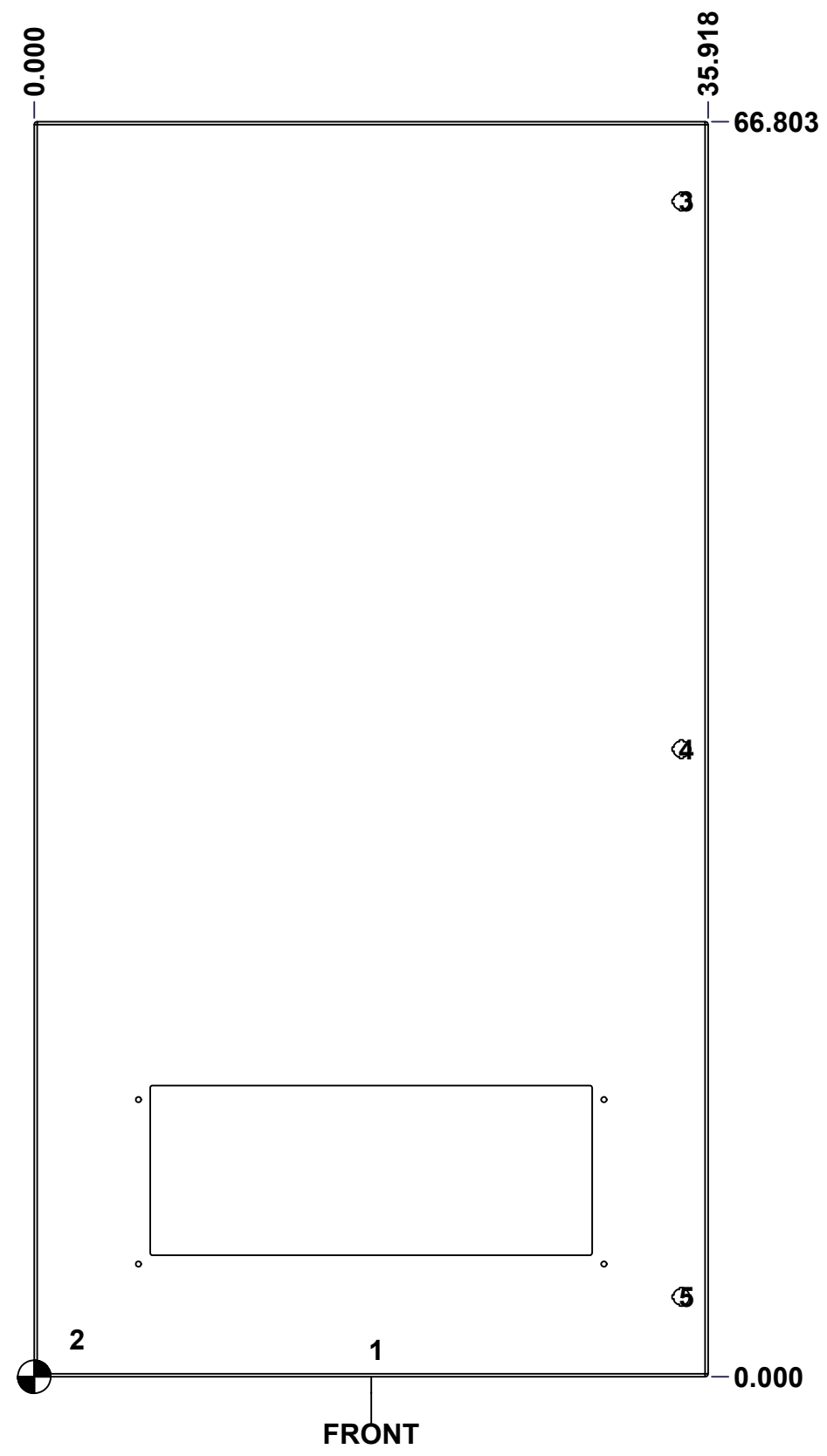
This drawing is confidential and must not be reproduced or used without the consent of EXM

Ce dessin est confidentiel et ne doit pas être reproduit ou utilisé sans le consentement de EXM

**STANDARD FEATURES ARE NOT LISTED IN THIS HOLE TABLE**

**HOLE TABLE - FRONT VIEW (CUSTOM FEATURE ONLY)**

CUT-OUT	XDIM	YDIM	DESCRIPTION
1	17.959	1.435	STUD M6 x 18mm (Inside)
-----			
2	2.000	2.000	GND STUD M6 x 16mm (Inside)
3	34.494	62.553	LOCK 880 SCQ4-SL @ 0.0°
4	34.494	33.402	LOCK 880 SCQ4PL-SL @ 0.0°
5	34.494	4.250	LOCK 880 SCQ4-SL @ 0.0°



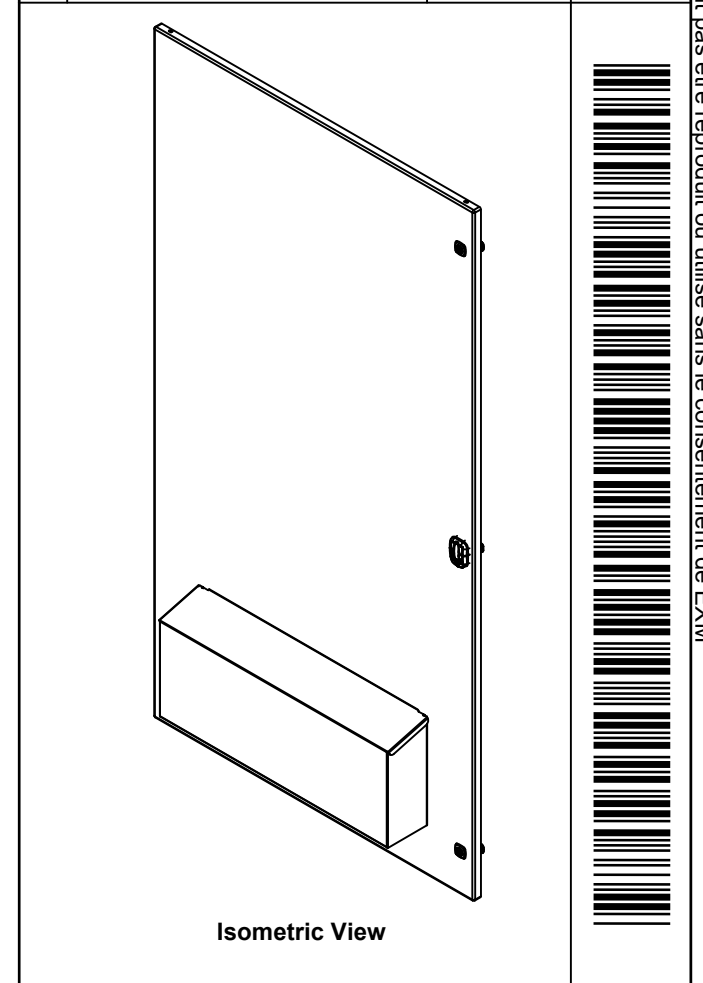
	Description	Status
	5300EWB 67" x 36" Cover	(NULL)
	Part Number Numéro Pièce	Rev.
	<b>5300EWB673616C</b>	<b>0</b>
		2
		3



This drawing is confidential and must not be reproduced or used without the consent of EXM

Ce dessin est confidentiel et ne doit pas être reproduit ou utilisé sans le consentement de EXM

No.	Revisions	Date	By/Par



Qty	Part Name	Rev	Description
1	880 SCQ4PL-SL	3	5412 ES Padlockable 1/4 Turn Lock
1	STK-Q-16080	0	Ground Stud M6 x 16mm
1	STK-P-04752	0	Epoxy Primer Gray Powdura EAS6-C0000 (Bottom Layer)
1	STK-P-02401R	0	Powder Paint (White / Rough Textured)
1	5300EWB673616LPH	0	Filter 14.062" x 9.250"
1	5300EWB673616FPH585	0	5300EWB 67" x 36" x 16" Rain Hood
1	STK-Q-46515	3	5412 ES Door Support with Brass Insert
1	STK-Q-16055	1	M6 x 18mm Stud (No Paint Cap Required)
1	5300EWB673616G	0	5300EWB 67" x 36" Cover Gasket Part
4	STK-K-09800	10	5412 ES Hinge with 2 Captive Hinge Pins
1	5300EWB673616C-P	0	5300EWB 67" x 36" Cover Part
2	880 SCQ4-SL	6	5412 ES 1/4 Turn Lock

Tél: (450) 979-4373  
Fax: (450) 979-4626  
[www.exmweb.com](http://www.exmweb.com)

Flatness  
Aplatissement  
Max 3.0mm

Projection

Customer Client		Date
Drawn By Dessiné Par	BoxCad: BoxCad	Date 15-Mar-21
Material Matière 14 Ga H.R.P. & O. (1.7mm)		
Color Couleur	White RAL9003	Finish Fini Rough Textured
Description 5300EWB 67" x 36" x 16" Cover		Detail Rev.
Part Number Numéro Pièce <b>5300EWB673616C</b>		Rev. 3 <b>0</b>

Parts List