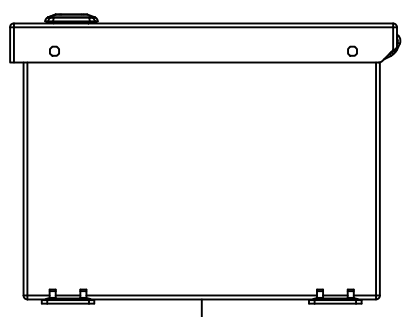
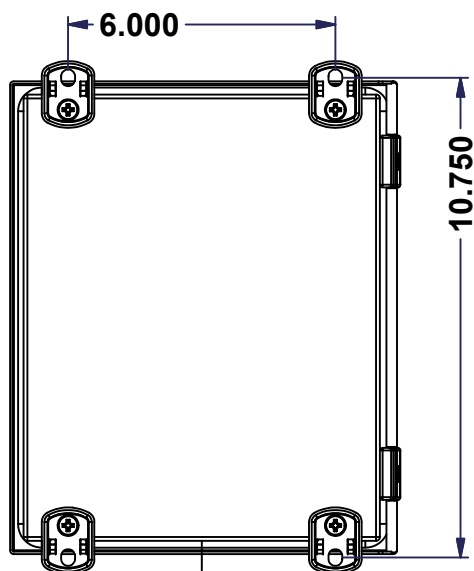


This drawing is confidential and must not be reproduced or used without the consent of EXM

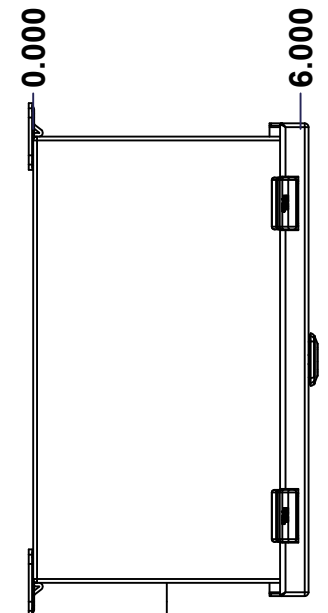
Ce dessin est confidentiel et ne doit pas être reproduit ou utilisé sans le consentement de EXM



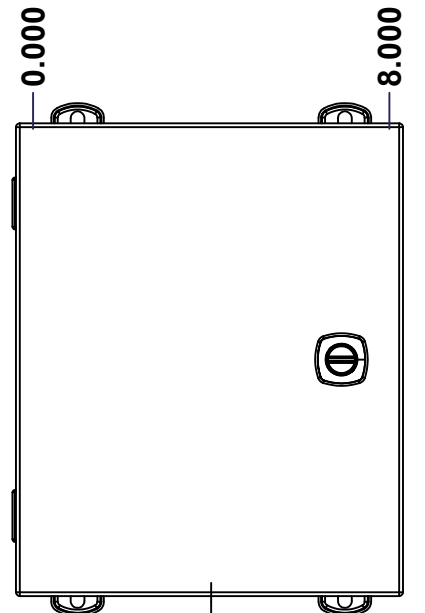
TOP



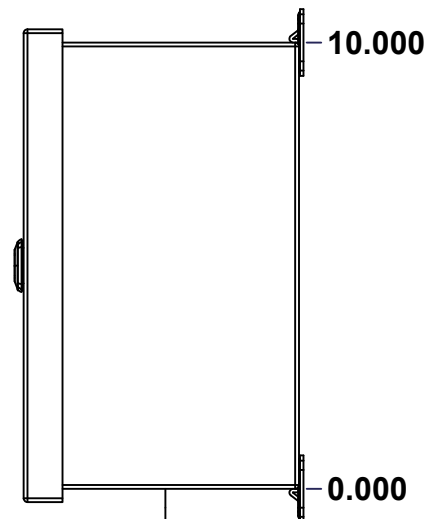
BACK



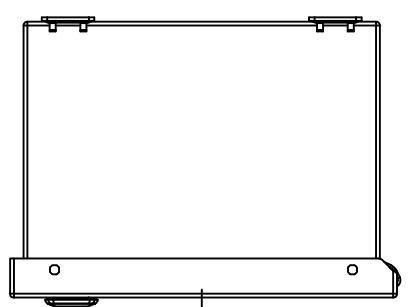
LEFT



FRONT

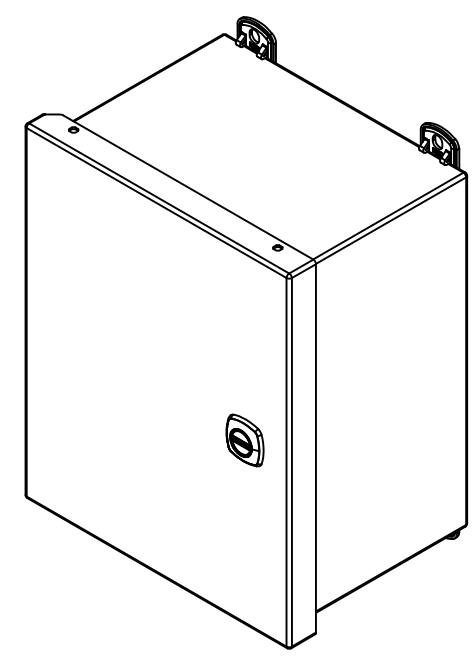


RIGHT

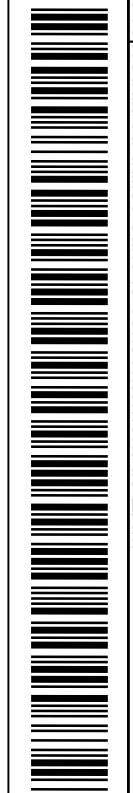


BOTTOM

| No. | Revisions | Date | By/Par |
|-----|-----------|------|--------|
| | | | |
| | | | |
| | | | |
| | | | |



Isometric View



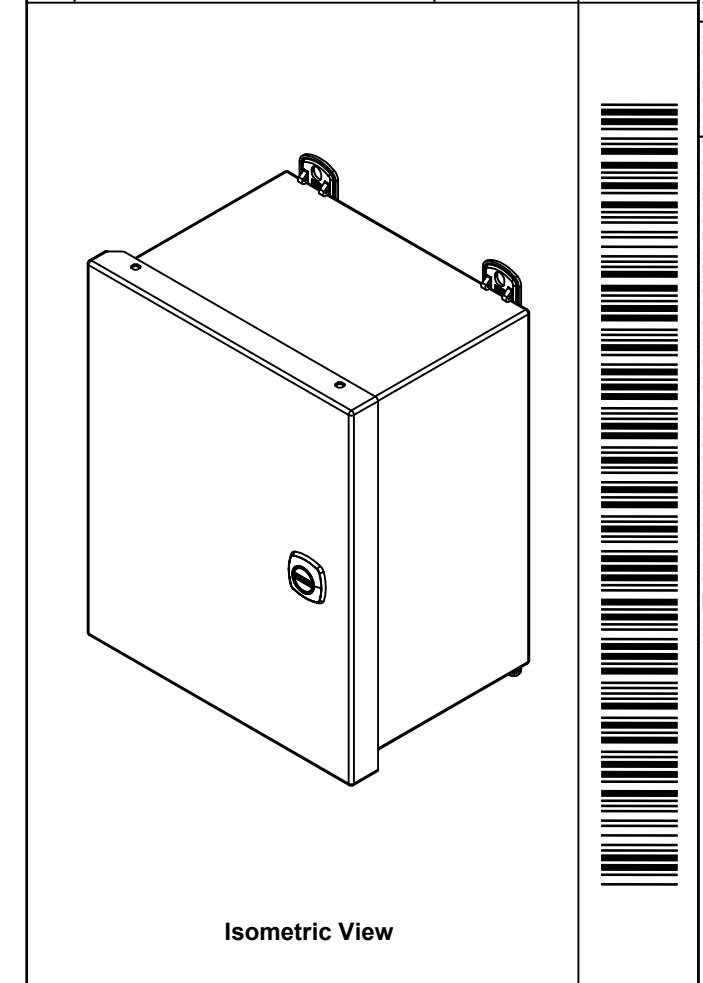
| | | | | | |
|--|--|--|--|--|--|
| | | Tél: (450) 979-4373 Fax: (450) 979-4626 www.exmweb.com | | Flatness Aplatissement Max 3.0mm | |
| Customer Client | | Date | | Projection | |
| Drawn By Dessiné Par | | BoxCad: BoxCad | | Date 10-Jan-14 | |
| Material Matière | | 16 Ga H.R.P. & O. (1.4mm) | | | |
| Color Couleur | | Asa-61 Grey | | Finish Fini Smooth | |
| Description 5412CH 10" x 8" x 6" Assembly | | | | Detail Rev. | |
| Part Number Numéro Pièce | | | | Rev. 1 0 | |
| SEE BILL OF MATERIAL ON LAST PAGE | | | | 5412CH100806 | |

This drawing is confidential and must not be reproduced or used without the consent of EXM

Ce dessin est confidentiel et ne doit pas être reproduit ou utilisé sans le consentement de EXM

| NOTE | |
|------|--|
| ITEM | DESCRIPTION |
| 1 | NEMA 4/12 Enclosure |
| 2 | C/W Standard ground standoffs on box and cover |
| 3 | W/O Standard door stiffener |
| 4 | C/W Standard inner panel (Included) |
| 5 | C/W Standard inner panel mounting standoffs |
| 6 | C/W Mounting feet (Included in kit) |

| No. | Revisions | Date | By/Par |
|-----|-----------|------|--------|
| | | | |
| | | | |
| | | | |
| | | | |
| | | | |
| | | | |



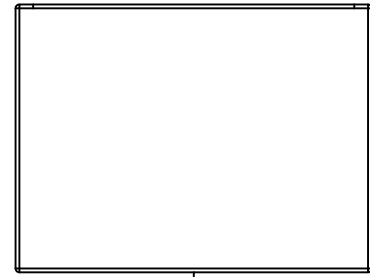
| | | | | | |
|-------------------------------|--|--|--|--|--|
| | | Tél: (450) 979-4373 Fax: (450) 979-4626 www.exmweb.com | | Flatness Aplatissement Max 3.0mm Projection | |
| Customer Client | | Date | | Date 10-Jan-14 | |
| Drawn By / Dessiné Par | | BoxCad: BoxCad | | Date 10-Jan-14 | |
| Material / Matière | | 16 Ga H.R.P. & O. (1.4mm) | | | |
| Color / Couleur | | Asa-61 Grey | | Finish / Fini: Smooth | |
| Description | | | | Detail Rev. | |
| 5412CH 10" x 8" x 6" Assembly | | | | | |
| Part Number / Numéro Pièce | | 5412CH100806 | | Rev. 2 | |
| | | | | 0 | |

| PACKING | | |
|-----------------|-----|--|
| ITEM | QTY | DESCRIPTION |
| STK-E-04311 | 1 | CARTON 5412 ESCH100806 |
| Plastic bag | 1 | To protect cover surface and inside gasket |
| Packaging label | 1 | White label with product number |
| STK-S-01100 | 1 | ESCH EXM SQUARE STICKER |

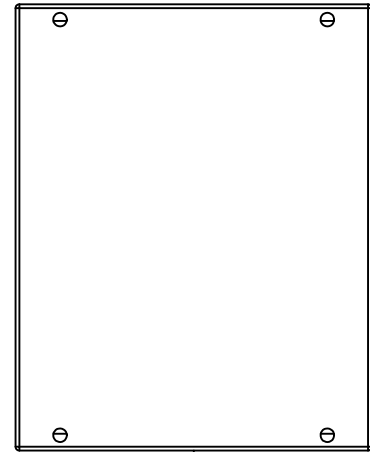
| Qty | Part Number | Rev | Description |
|------------|---------------|-----|---------------------------|
| 1 | 5412CH100806C | 0 | 5412CH 10" x 8" Cover |
| 1 | 880 SP1008G | 0 | 880 SP1008G - Inner Panel |
| 1 | STK-K-02940 | 2 | 5412 ESCHB Accessory Kit |
| 1 | 5412CH100806B | 0 | 5412CH 10" x 8" x 6" Body |
| 2 | STK-Q-08100 | 1 | M5 Nylon Insert Lock Nut |
| Parts List | | | |

This drawing is confidential and must not be reproduced or used without the consent of EXM

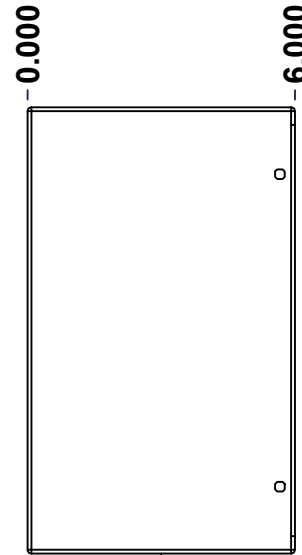
Ce dessin est confidentiel et ne doit pas être reproduit ou utilisé sans le consentement de EXM



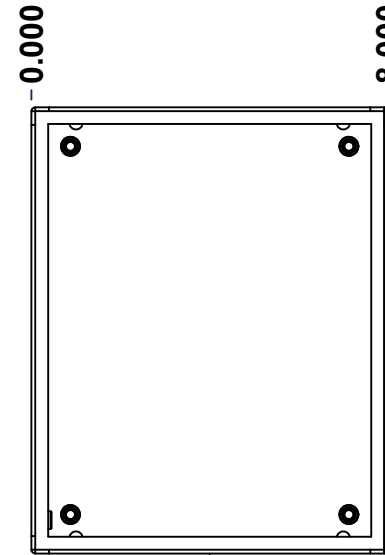
TOP



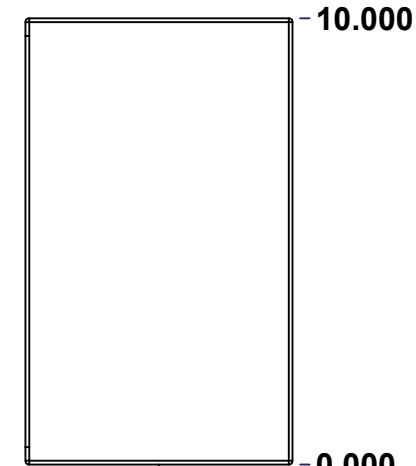
BACK



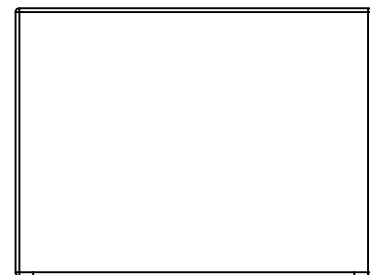
LEFT



FRONT

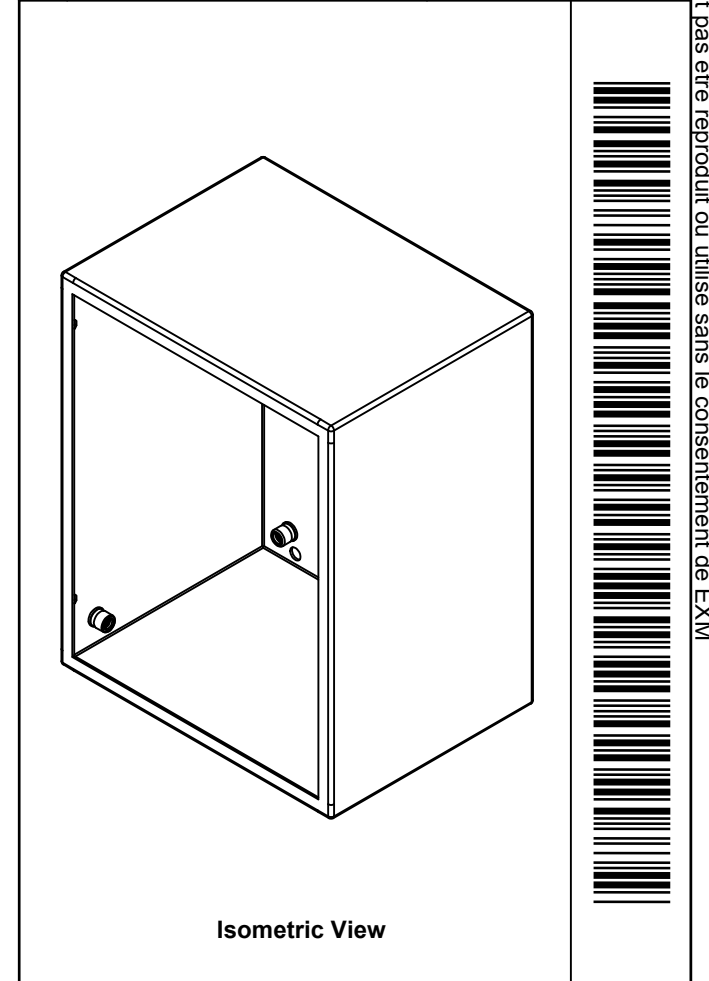


RIGHT




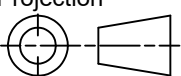
BOTTOM

| No. | Revisions | Date | By/Par |
|-----|-----------|------|--------|
| | | | |
| | | | |
| | | | |
| | | | |
| | | | |



Isometric View



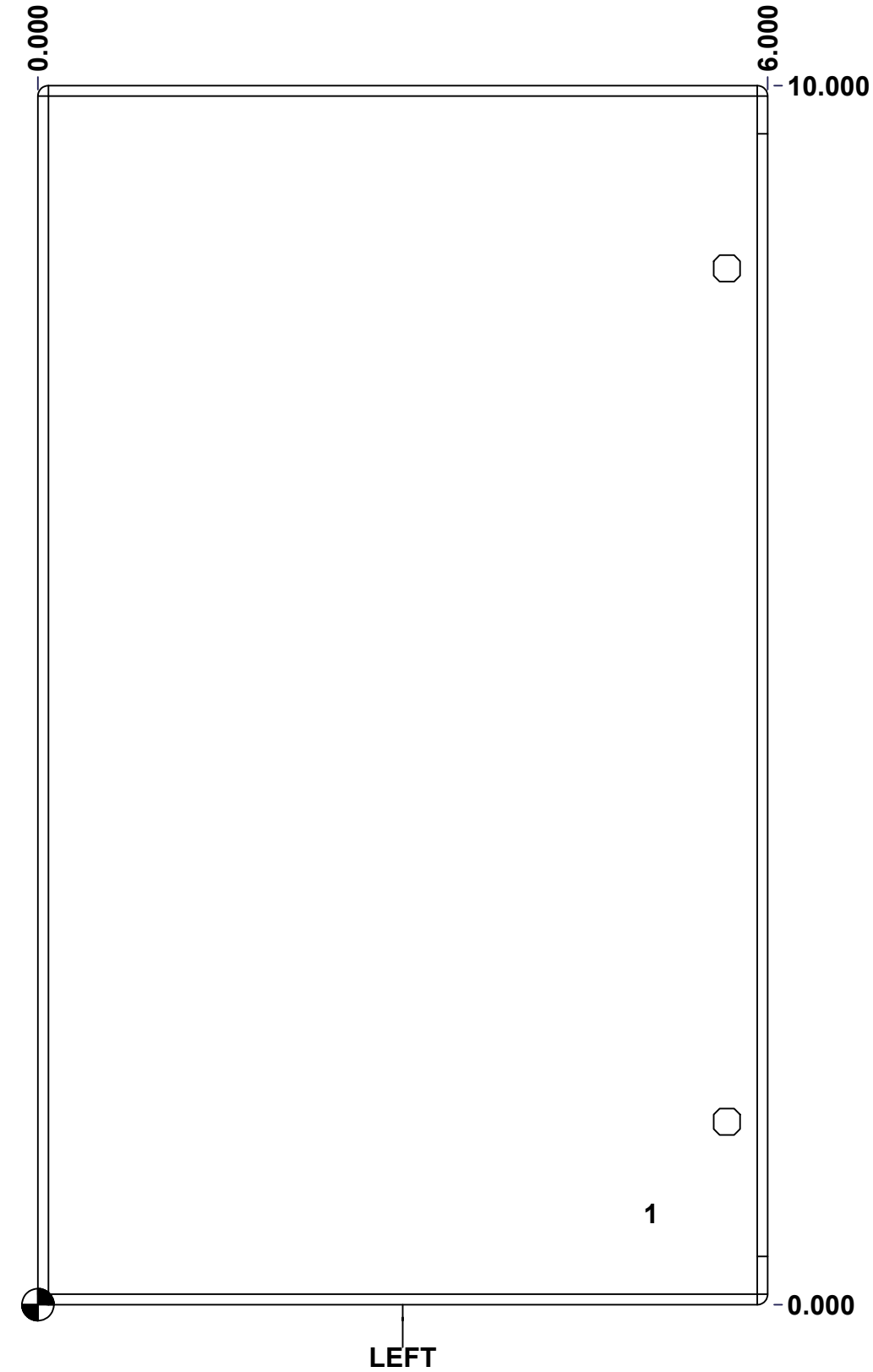
| | | |
|--|---------------------------|---|
|  Tél: (450) 979-4373 Fax: (450) 979-4626 www.exmweb.com | | Flatness Aplatissement Max 3.0mm Projection  |
| Customer Client | Date | |
| Drawn By Dessiné Par | BoxCad: BoxCad | Date 10-Jan-14 |
| Material Matière | 16 Ga H.R.P. & O. (1.4mm) | |
| Color Couleur | Asa-61 Grey | Finish Fini Smooth |
| Description | Detail Rev. | |
| 5412CH 10" x 8" x 6" Body | | |
| Part Number Numéro Pièce | Rev. | 1 7 |
| 5412CH100806B | 0 | |

SEE BILL OF MATERIAL ON LAST PAGE

This drawing is confidential and must not be reproduced or used without the consent of EXM

Ce dessin est confidentiel et ne doit pas être reproduit ou utilisé sans le consentement de EXM

| STANDARD FEATURES ARE NOT LISTED IN THIS HOLE TABLE | | | |
|--|-------|-------|-----------------------------|
| HOLE TABLE - LEFT VIEW (CUSTOM FEATURE ONLY) | | | |
| CUT-OUT | XDIM | YDIM | DESCRIPTION |
| 1 | 5.000 | 0.750 | STANDOFF M6 x 10mm (Inside) |

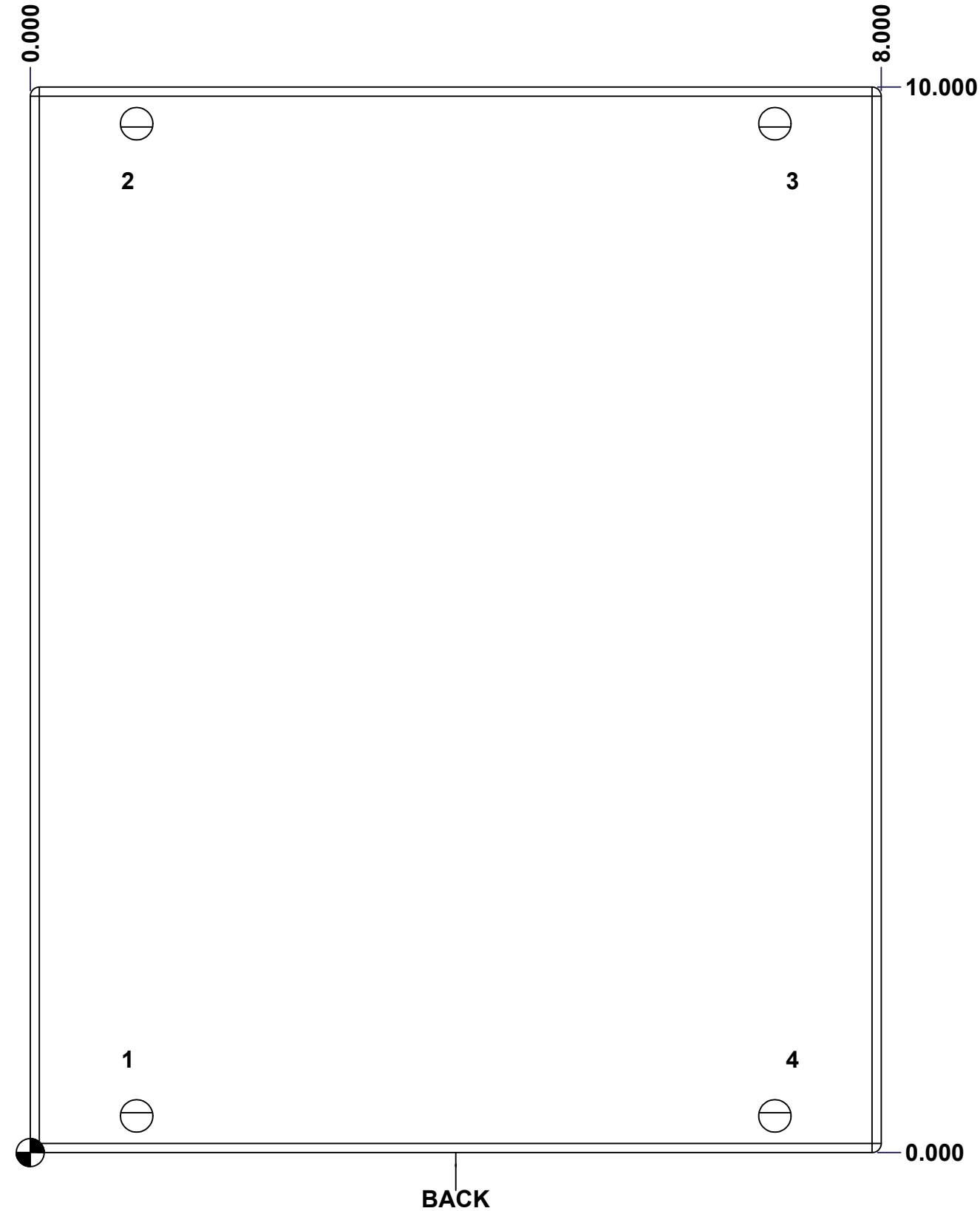


| | | | |
|--|-----------------------------|----------|---|
| | Description | Status | |
| | 5412CH 10" x 8" x 6" Body | (NULL) | |
| | Part Number Numéro Pièce | Rev. | 5 |
| | 5412CH100806B | 0 | 7 |

This drawing is confidential and must not be reproduced or used without the consent of EXM

Ce dessin est confidentiel et ne doit pas être reproduit ou utilisé sans le consentement de EXM

| STANDARD FEATURES ARE NOT LISTED IN THIS HOLE TABLE | | | |
|---|-------|-------|--------------------------------|
| HOLE TABLE - BACK VIEW (CUSTOM FEATURE ONLY) | | | |
| CUT-OUT | XDIM | YDIM | DESCRIPTION |
| 1 | 0.875 | 0.875 | IP STANDOFF M6 x 10mm (Inside) |
| 2 | 0.875 | 9.125 | IP STANDOFF M6 x 10mm (Inside) |
| 3 | 7.125 | 9.125 | IP STANDOFF M6 x 10mm (Inside) |
| 4 | 7.125 | 0.875 | IP STANDOFF M6 x 10mm (Inside) |

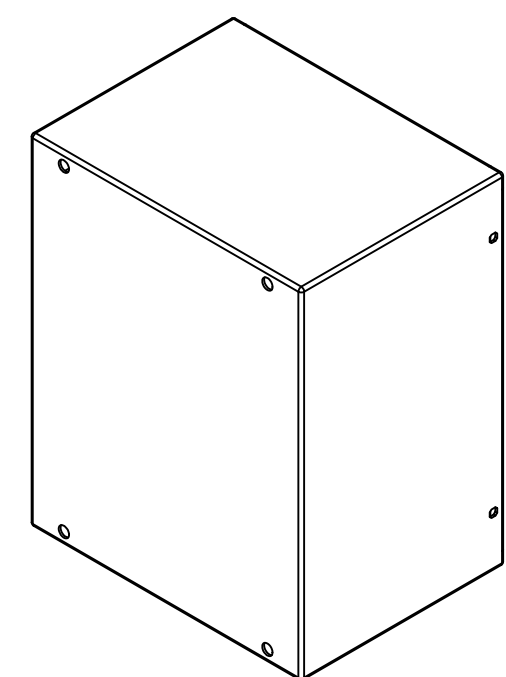


| | | |
|--|-----------------------------|----------|
| | Description | Status |
| | 5412CH 10" x 8" x 6" Body | (NULL) |
| | Part Number Numéro Pièce | Rev. |
| | 5412CH100806B | 0 |
| | | 6 |
| | | 7 |

This drawing is confidential and must not be reproduced or used without the consent of EXM


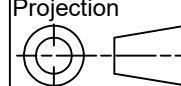
Ce dessin est confidentiel et ne doit pas être reproduit ou utilisé sans le consentement de EXM

| No. | Revisions | Date | By/Par |
|-----|-----------|------|--------|
| | | | |
| | | | |
| | | | |
| | | | |
| | | | |



Isometric View



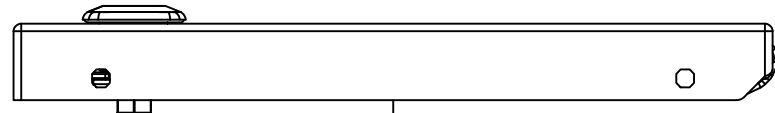
| | | |
|--|---------------------------|---|
|  Tél: (450) 979-4373 Fax: (450) 979-4626 www.exmweb.com | | Flatness Aplatissement Max 3.0mm Projection  |
| Customer Client | Date | |
| Drawn By Dessiné Par | BoxCad: BoxCad | Date 10-Jan-14 |
| Material Matière | 16 Ga H.R.P. & O. (1.4mm) | |
| Color Couleur | Asa-61 Grey | Finish Fini Smooth |
| Description | 5412CH 10" x 8" x 6" Body | Detail Rev. |
| Part Number Numéro Pièce | 5412CH100806B | Rev. 0 |

| Qty | Part_Number | Rev | Description |
|------------|-----------------|-----|-------------------------------------|
| 1 | 5412CH100806B-P | 0 | 5412CH 10" x 8" x 6" Body Part |
| 1 | STK-P-02400S | 0 | Powder Paint (Asa-61 Grey / Smooth) |
| 5 | STK-Q-08350 | 5 | Standoff M6 x 10mm |
| Parts List | | | |

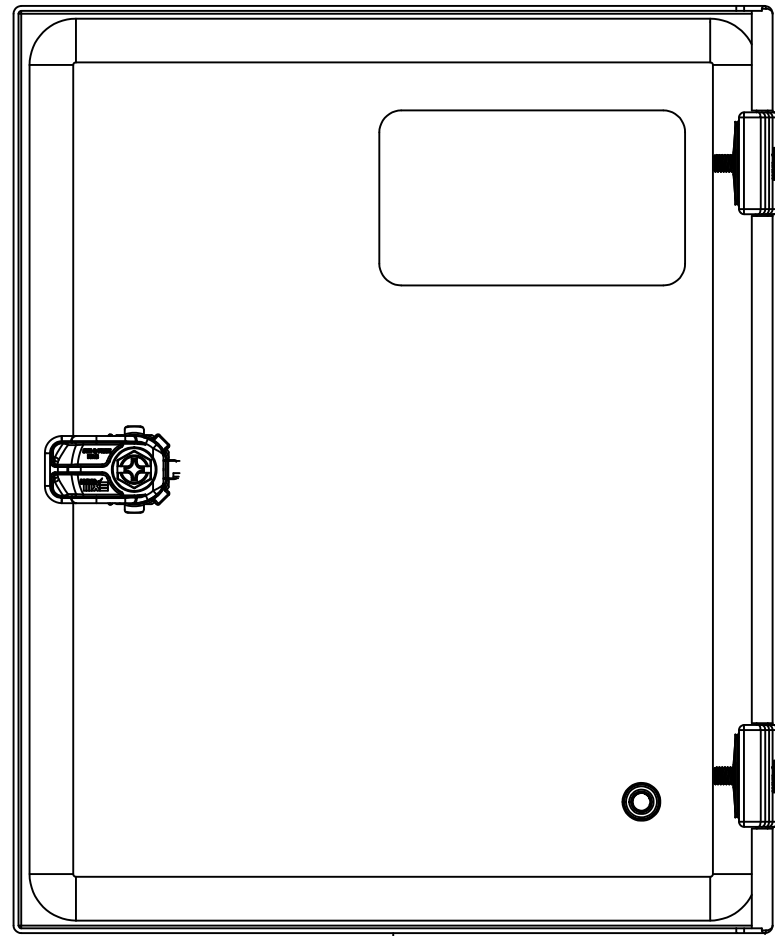
7
7

This drawing is confidential and must not be reproduced or used without the consent of EXM

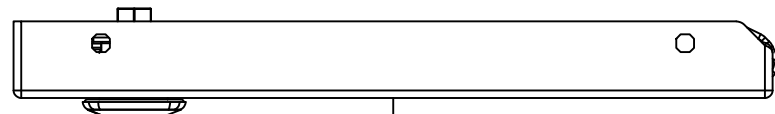
Ce dessin est confidentiel et ne doit pas être reproduit ou utilisé sans le consentement de EXM



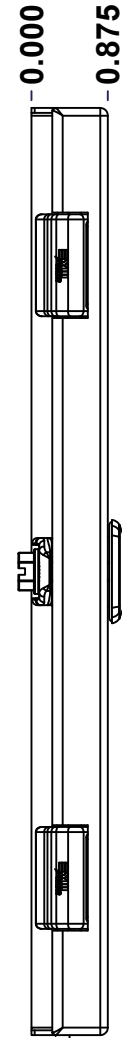
TOP



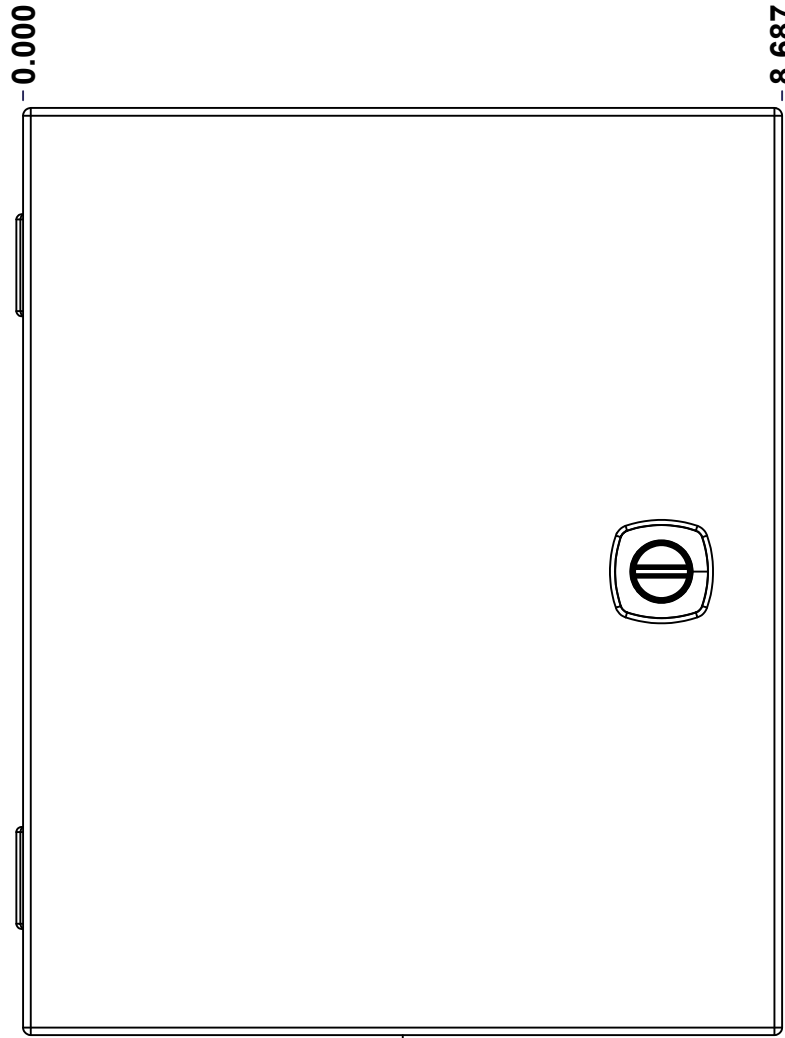
BACK



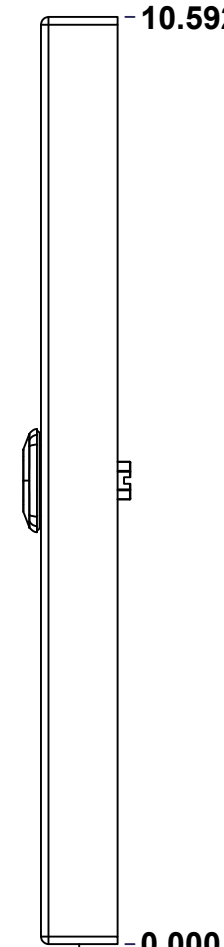
BOTTOM



LEFT

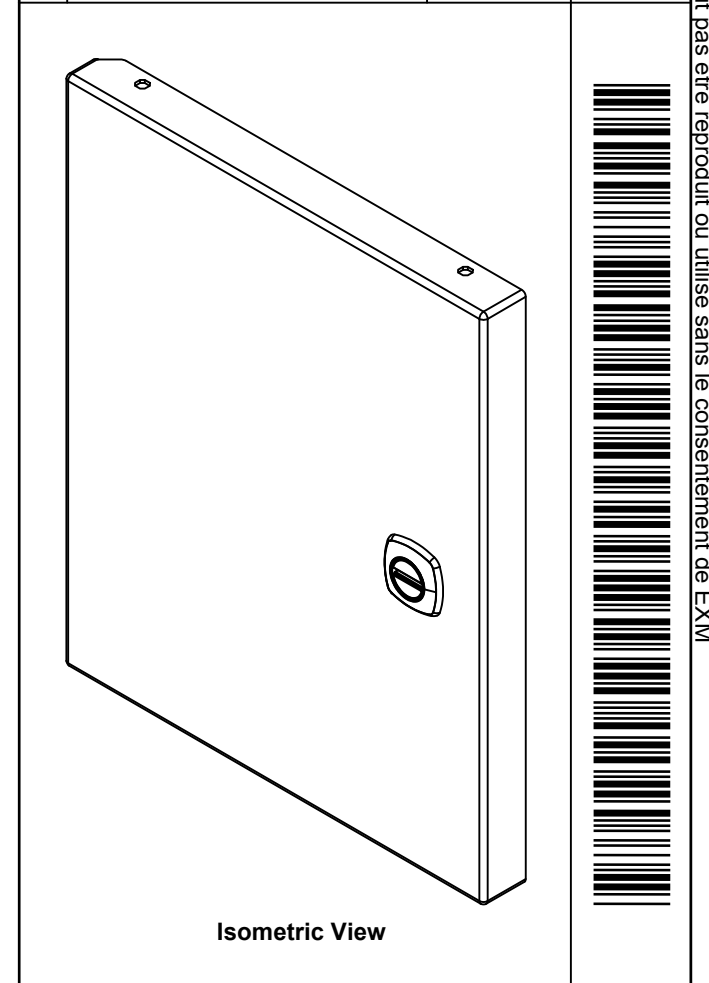


FRONT


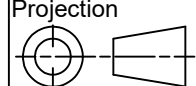


RIGHT

| No. | Revisions | Date | By/Par |
|-----|-----------|------|--------|
| | | | |
| | | | |
| | | | |
| | | | |



Isometric View

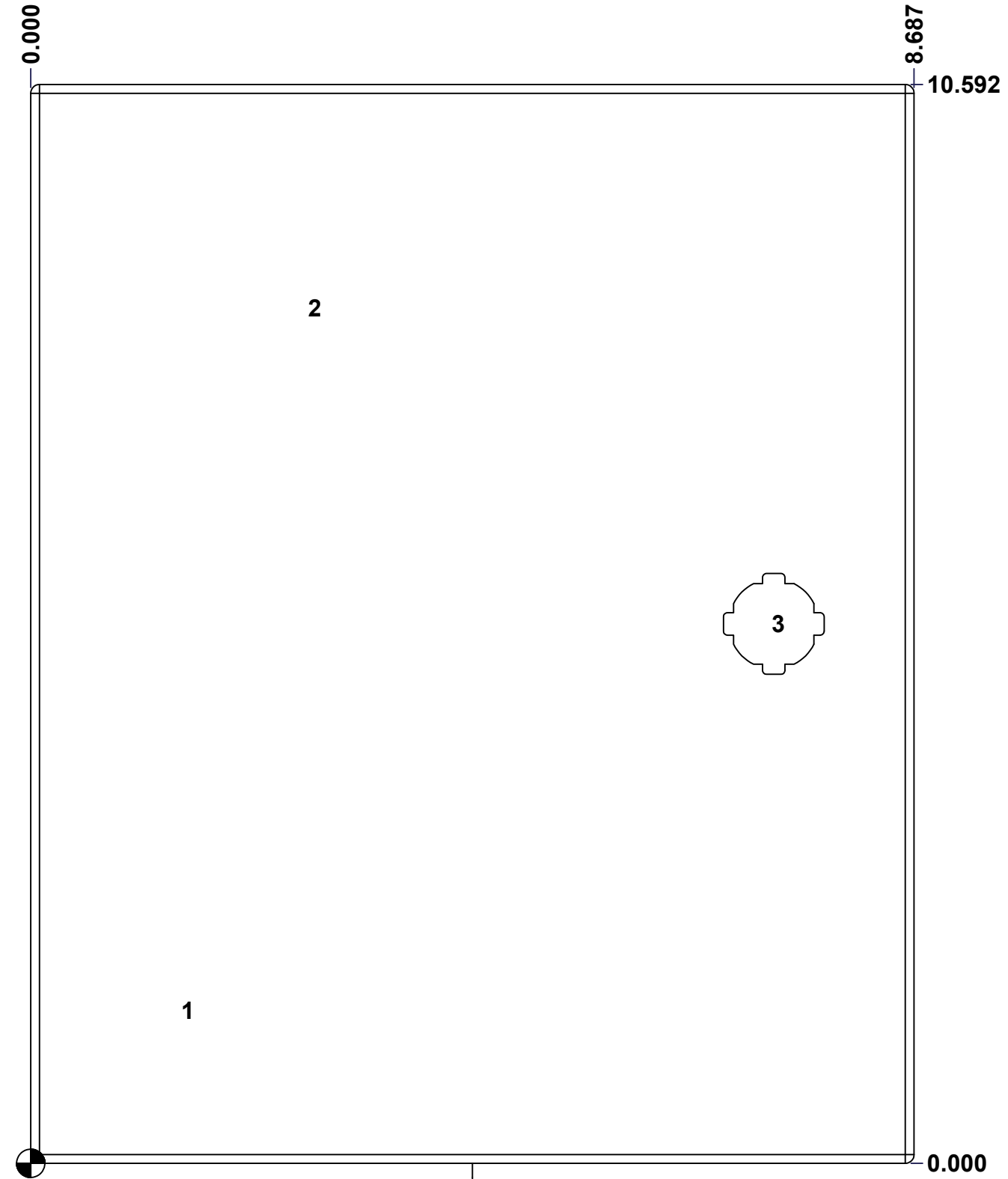
| | | |
|--|---------------------------|---|
|  Tél: (450) 979-4373 Fax: (450) 979-4626 www.exmweb.com | | Flatness Aplatissement Max 3.0mm Projection  |
| Customer Client | Date | |
| Drawn By Dessiné Par | BoxCad: BoxCad | Date 10-Jan-14 |
| Material Matière | 16 Ga H.R.P. & O. (1.4mm) | |
| Color Couleur | Asa-61 Grey | Finish Fini Smooth |
| Description | Detail Rev. | |
| 5412CH 10" x 8" Cover | | |
| Part Number Numéro Pièce | Rev. 0 | 1/3 |
| 5412CH100806C | | |

SEE BILL OF MATERIAL ON LAST PAGE

This drawing is confidential and must not be reproduced or used without the consent of EXM

Ce dessin est confidentiel et ne doit pas être reproduit ou utilisé sans le consentement de EXM

| STANDARD FEATURES ARE NOT LISTED IN THIS HOLE TABLE | | | |
|---|-------|-------|-----------------------------|
| HOLE TABLE - FRONT VIEW (CUSTOM FEATURE ONLY) | | | |
| CUT-OUT | XDIM | YDIM | DESCRIPTION |
| 1 | 1.500 | 1.500 | STANDOFF M6 x 10mm (Inside) |
| 2 | 2.750 | 8.400 | LABEL_EXM (Inside) |
| 3 | 7.307 | 5.296 | LOCK 880 SCQ4CH-SL @ 180.0° |



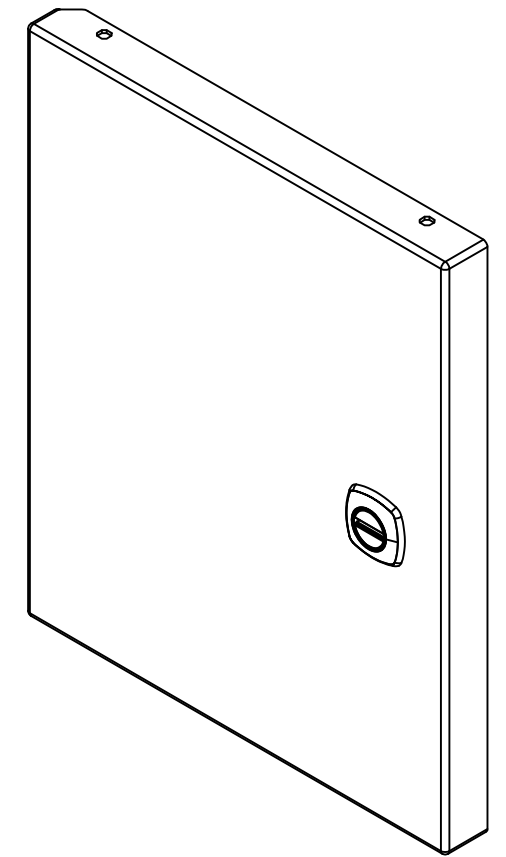
FRONT

| | | | |
|--|------------------------------|----------|--------|
| | Description | Status | |
| | 5412CH 254mm x 203.2mm Cover | (NULL) | |
| | Part Number Numéro Pièce | Rev. | |
| | 5412CH100806C | 0 | 2 3 |

This drawing is confidential and must not be reproduced or used without the consent of EXM


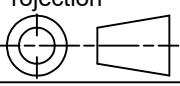
Ce dessin est confidentiel et ne doit pas être reproduit ou utilisé sans le consentement de EXM

| No. | Revisions | Date | By/Par |
|-----|-----------|------|--------|
| | | | |
| | | | |
| | | | |
| | | | |
| | | | |



Isometric View

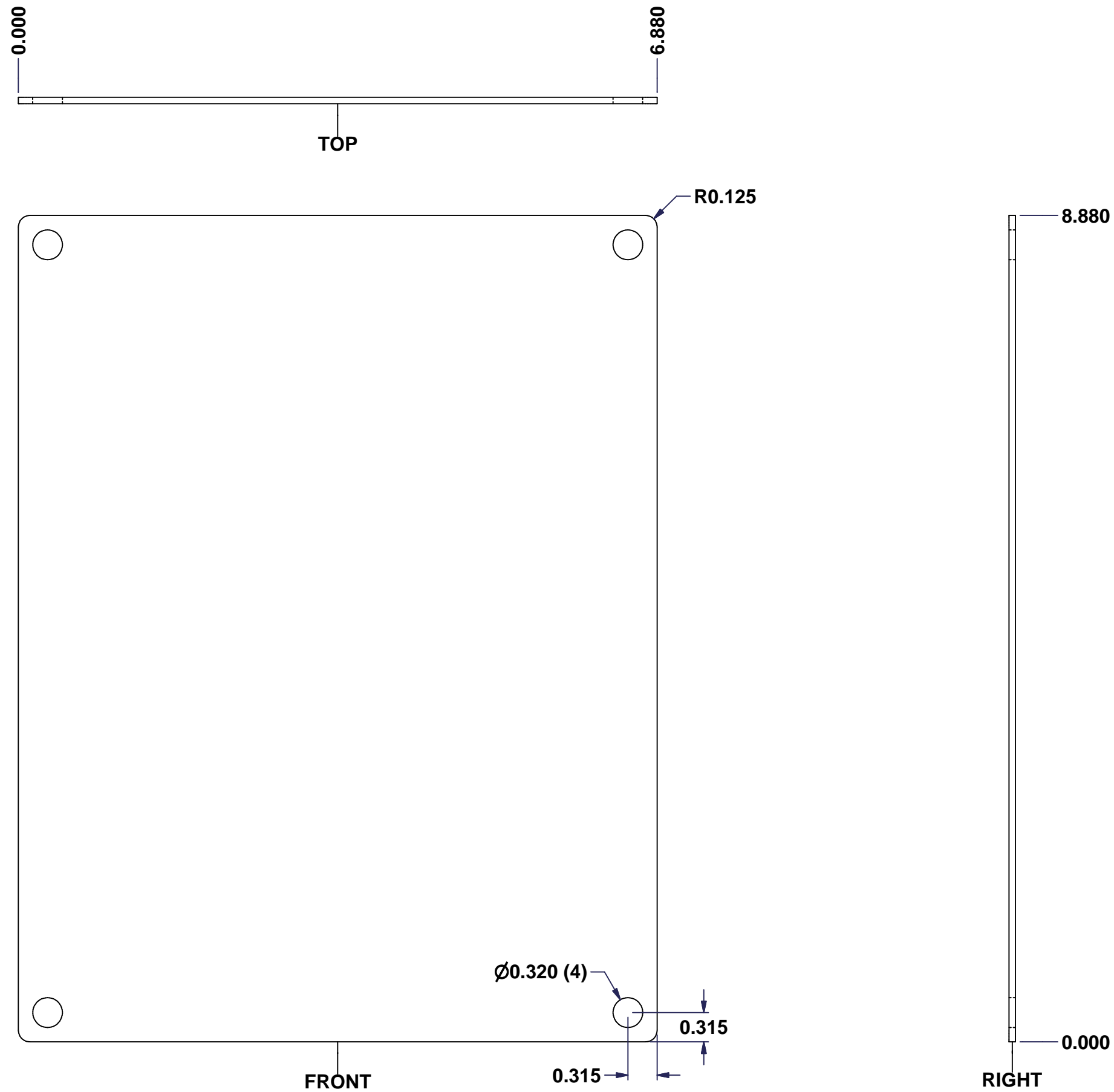


| | | |
|--|---------------------------|---|
|  Tél: (450) 979-4373 Fax: (450) 979-4626 www.exmweb.com | | Flatness Aplatissement Max 3.0mm Projection  |
| Customer Client | Date | |
| Drawn By Dessiné Par | BoxCad: BoxCad | Date 10-Jan-14 |
| Material Matière | 16 Ga H.R.P. & O. (1.4mm) | |
| Color Couleur | Asa-61 Grey | Finish Fini Smooth |
| Description | | Detail Rev. |
| 5412CH 10" x 8" Cover | | |
| Part Number Numéro Pièce | Rev. | 3 |
| 5412CH100806C | 0 | 3 |

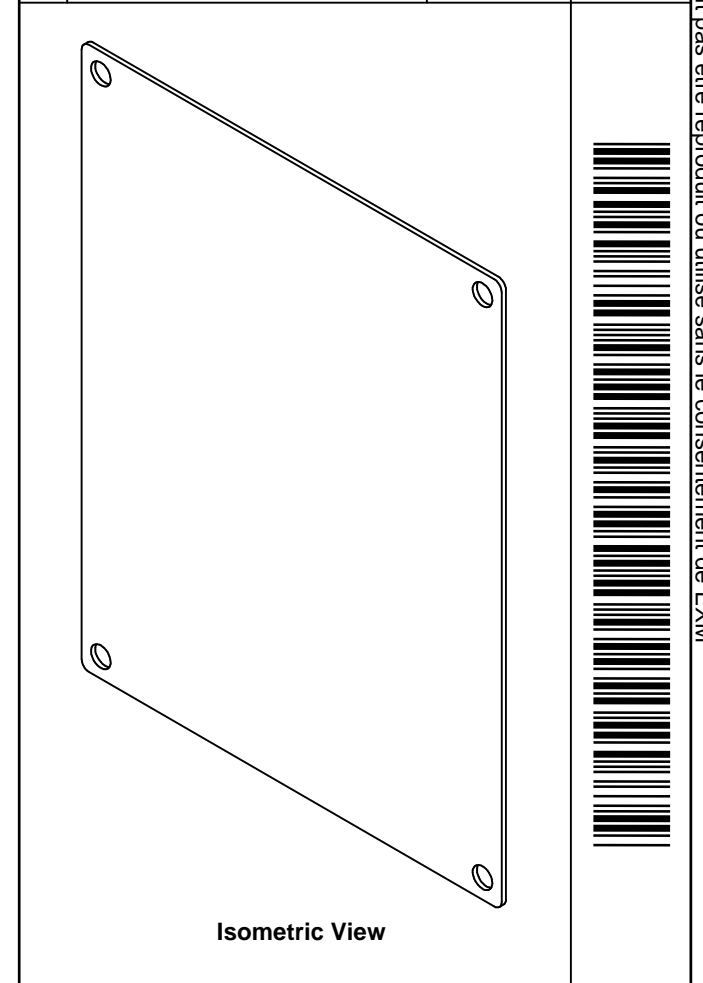
| Qty | Part Number | Rev | Description |
|------------|-----------------|-----|--|
| 1 | 5412CH100806G | 0 | 5412CH 10" x 8" Gasket |
| 1 | 880 SCQ4CH-SL | 0 | 5412 CH 1/4 Turn Lock |
| 1 | STK-S-00100 | 0 | 3.5" x 2" Silver Milar Flexcon Sticker |
| 1 | STK-Q-08350 | 5 | Standoff M6 x 10mm |
| 1 | STK-P-02400S | 0 | Powder Paint (Asa-61 Grey / Smooth) |
| 1 | 5412CH100806C-P | 0 | 5412CH 254mm x 203.2mm Cover Part |
| 2 | STK-A-33033 | 4 | 5412 ESMCH Hinge |
| Parts List | | | |

This drawing is confidential and must not be reproduced or used without the consent of EXM

Ce dessin est confidentiel et ne doit pas être reproduit ou utilisé sans le consentement de EXM



| No. | Revisions | Date | By/Par |
|-----|-----------|------|--------|
| | | | |
| | | | |
| | | | |
| | | | |
| | | | |



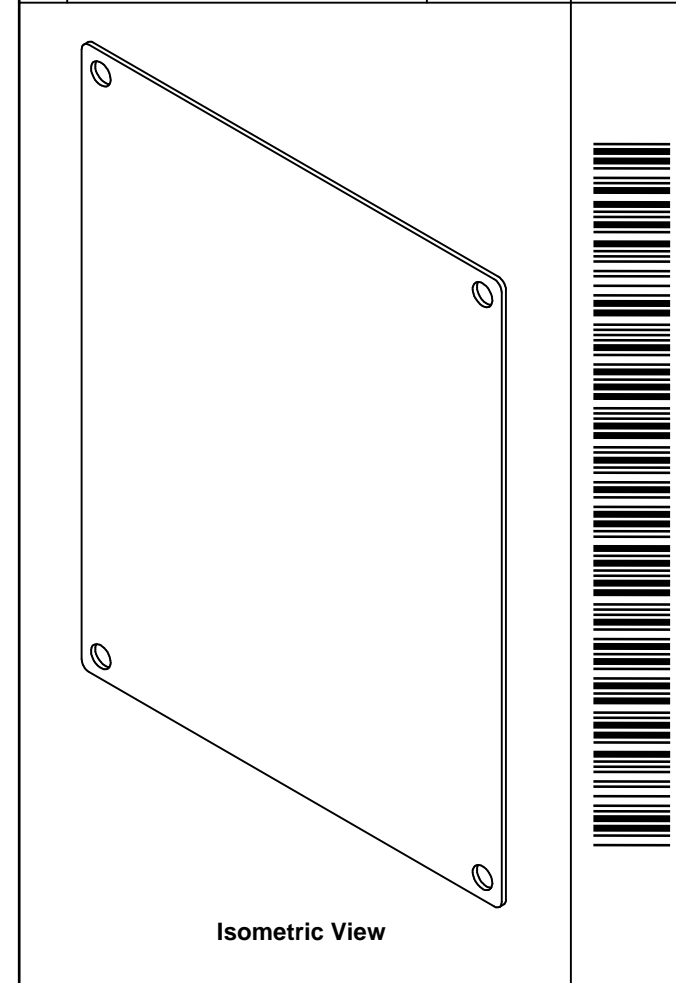
| | | |
|--|--------------------------|--|
| Tél: (450) 979-4373 Fax: (450) 979-4626 www.exmweb.com | | Flatness Aplatissement Max 3.0mm Projection |
| Customer Client | Date | |
| Drawn By Dessiné Par | Date | |
| Material Matière | 14 Ga Galvanized (1.7mm) | |
| Color Couleur | Unpainted | Finish Fini Galvanized |
| Description | | Detail Rev. |
| 880 SP1008G - Inner Panel | | |
| Part Number Numéro Pièce | Rev. | |
| 880 SP1008G | 0 | 1 2 |

SEE BILL OF MATERIAL ON LAST PAGE

This drawing is confidential and must not be reproduced or used without the consent of EXM

Ce dessin est confidentiel et ne doit pas être reproduit ou utilisé sans le consentement de EXM

| No. | Revisions | Date | By/Par |
|-----|-----------|------|--------|
| | | | |
| | | | |
| | | | |
| | | | |
| | | | |



| | | | |
|--|--|--|-------------|
| Tél: (450) 979-4373 Fax: (450) 979-4626 www.exmweb.com | | Flatness Aplatissement Max 3.0mm | |
| | | Projection | |
| Customer Client | | Date | |
| Drawn By / Dessiné Par: BoxCad | | Date: 23-Jan-07 | |
| Material / Matière: 14 Ga Galvanized (1.7mm) | | | |
| Color / Couleur: Unpainted | | Finish / Fini: Galvanized | |
| Description: 880 SP1008G - Inner Panel | | | Detail Rev. |
| Part Number / Numéro Pièce: 880 SP1008G | | Rev.: | 2 |
| | | 0 | 2 |

| Qty | Part Number | Rev | Description |
|------------|---------------|-----|--------------------------------|
| 1 | 880 SP1008G-P | 0 | 880 SP1008G - Inner Panel Part |
| Parts List | | | |