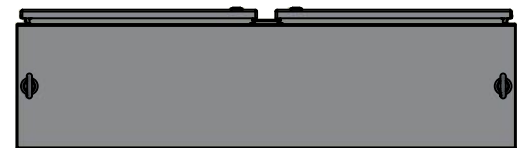
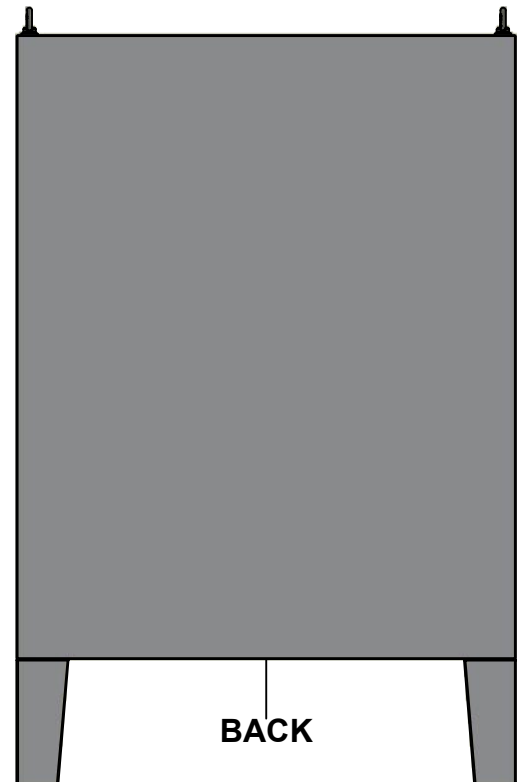


This drawing is confidential and must not be reproduced or used without the consent of EXM

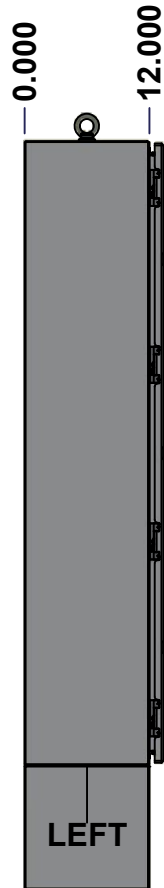
Ce dessin est confidentiel et ne doit pas être reproduit ou utilisé sans le consentement de EXM



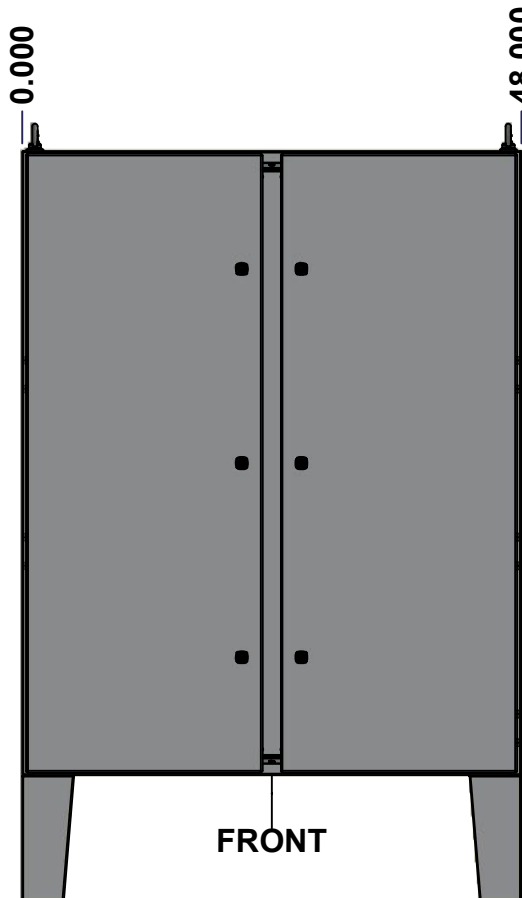
TOP



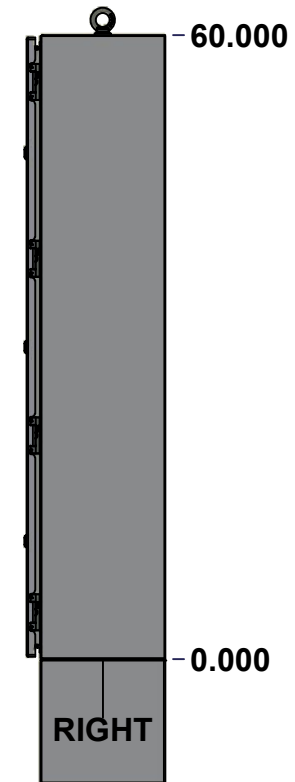
BACK



LEFT



FRONT

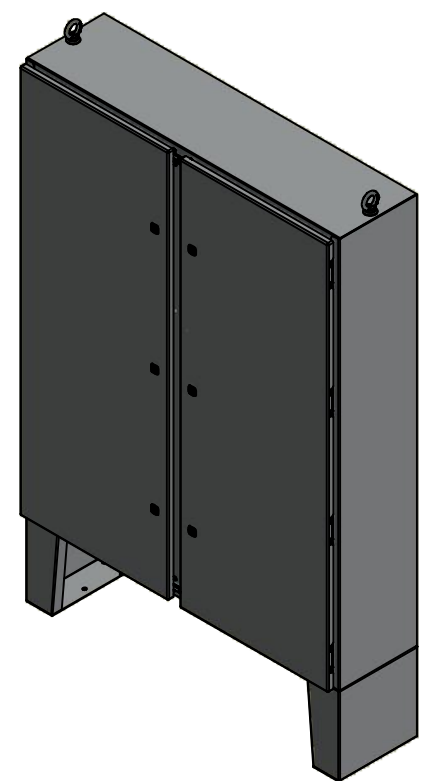


RIGHT

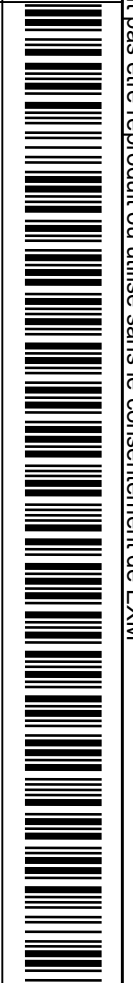


BOTTOM

No.	Revisions	Date	By/Par



Isometric View



Tél: (450) 979-4373  
 Fax: (450) 979-4626  
[www.exmweb.com](http://www.exmweb.com)

Flatness  
Aplatissement  
Max 3.0mm  
Projection

Customer Client  
 Drawn By Dessiné Par BoxCad: BoxCad  
 Date 2019-09-19

Material Matière 12 Ga Cold Rolled A1008 CS Type B (2.5mm)

Color Couleur Asa-61 Grey  
 Finish Fini Smooth

Description 5412DDS 60" x 48" x 12" Assembly  
 Detail Rev.

Part Number Numéro Pièce 5412DDS604812NOIP  
 Rev. 0

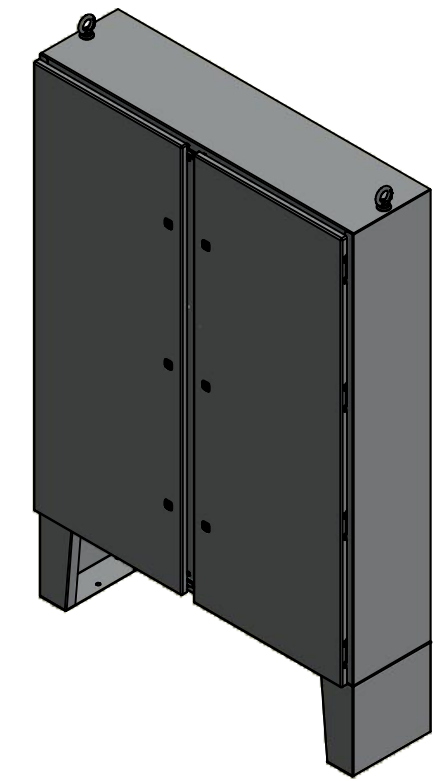
SEE BILL OF MATERIAL ON LAST PAGE

This drawing is confidential and must not be reproduced or used without the consent of EXM

Ce dessin est confidentiel et ne doit pas être reproduit ou utilisé sans le consentement de EXM

NOTE	
ITEM	DESCRIPTION
1	NEMA 4/12 Enclosure
2	C/W Standard ground studs on box and cover
3	W/O Standard door stiffener
4	W/O Inner panel
5	C/W Standard inner panel mounting studs
6	C/W 880 PPL included (Not installed)
7	C/W Eyebolts
8	C/W Mounting feet sold separately (Installed)
9	C/W Struts installed (Included)
10	C/W Interlock Kit (Installed by EXM)

No.	Revisions	Date	By/Par




Isometric View



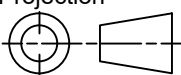
PACKING		
ITEM	QTY	DESCRIPTION
Cardboard sleeve	2	Top and Bottom
Cardboard strip	2	Between back of enclosure and inner panel
Plastic bag	1	To protect cover surface and inside gasket
Cardboard corner	4	To reinforced for the plastic strap tightening
Plastic strap - Black	2	To Squeeze 2 cardboard sleeve together
Packaging label	3	White label with PN
Plastic strap- Green	2	To secure the enclosure to the wood pallet
Wood Pallet	1	2" deeper and 3" larger than enclosure size

1	5412DDS604812NOIPMF	0	885 MFHD 12" x 12" Mounting Feet
1	880INTI	2	880 INTI - Interlock Post Kit
1	880EB14	2	Eye Bolt M14 (Pack of 2)
1	5412DDS604812NOIPFD	0	5412DDS 60" x 48" Master Door
1	5412DDS604812NOIPLD	0	5412DDS 60" x 48" Slave Door
1	5412DDS604812NOIPB	0	5412DDS 60" x 48" x 12" Body
2	5412DDS604812NOIPGP	0	5412DDS Gland Plate
8	STK-Q-04050-10	8	M6 x 10mm Hexagon Socket Head Machine Screw with Nyseal
Qty	Part Number	Rev	Description
Parts List			



Tél: (450) 979-4373  
Fax: (450) 979-4626  
[www.exmweb.com](http://www.exmweb.com)

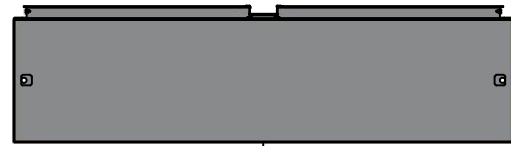
Flatness  
Aplatissement  
Max 3.0mm

Projection  


Customer Client		Date
Drawn By Dessiné Par BoxCad: BoxCad		Date 2019-09-19
Material Matière 12 Ga Cold Rolled A1008 CS Type B (2.5mm)		
Color Couleur	Asa-61 Grey	Finish Fini Smooth
Description 5412DDS 60" x 48" x 12" Assembly		Detail Rev.
Part Number Numéro Pièce <b>5412DDS604812NOIP</b>		Rev. <b>0</b>

This drawing is confidential and must not be reproduced or used without the consent of EXM

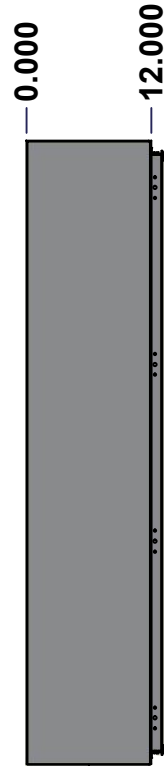
Ce dessin est confidentiel et ne doit pas être reproduit ou utilisé sans le consentement de EXM



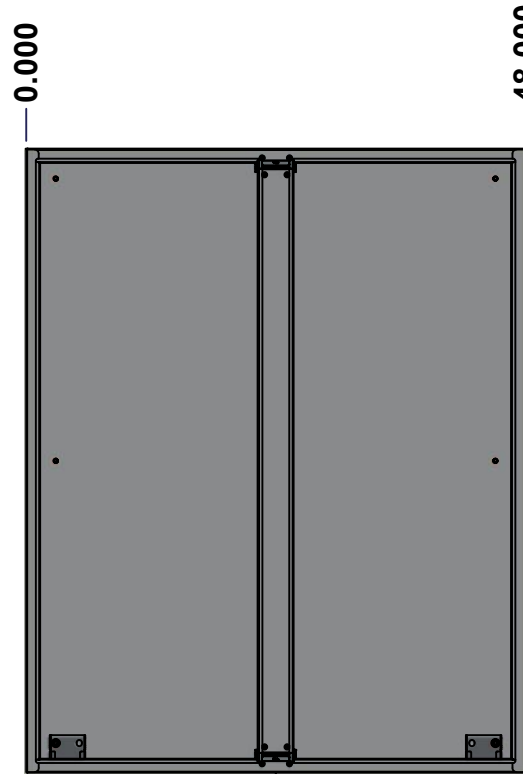
TOP



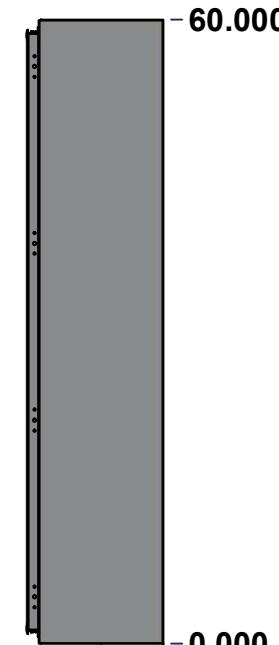
BACK



LEFT



FRONT

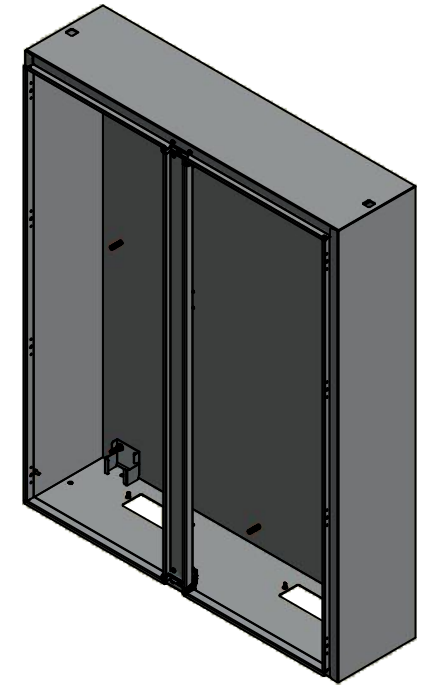


RIGHT



BOTTOM

No.	Revisions	Date	By/Par



Isometric View



Tél: (450) 979-4373  
 Fax: (450) 979-4626  
[www.exmweb.com](http://www.exmweb.com)

Flatness  
Aplatissement  
Max 3.0mm  
Projection

Customer Client	Date
Drawn By / Dessiné Par: BoxCad: BoxCad	Date: 2019-09-19
Material / Matière: 12 Ga Cold Rolled A1008 CS Type B (2.5mm)	
Color / Couleur: Asa-61 Grey	Finish / Fini: Smooth
Description: 5412DDS 60" x 48" x 12" Body	Detail Rev.

Part Number / Numéro Pièce: 5412DDS604812NOIPB	Rev. 0	3
--	--------	---

SEE BILL OF MATERIAL ON LAST PAGE

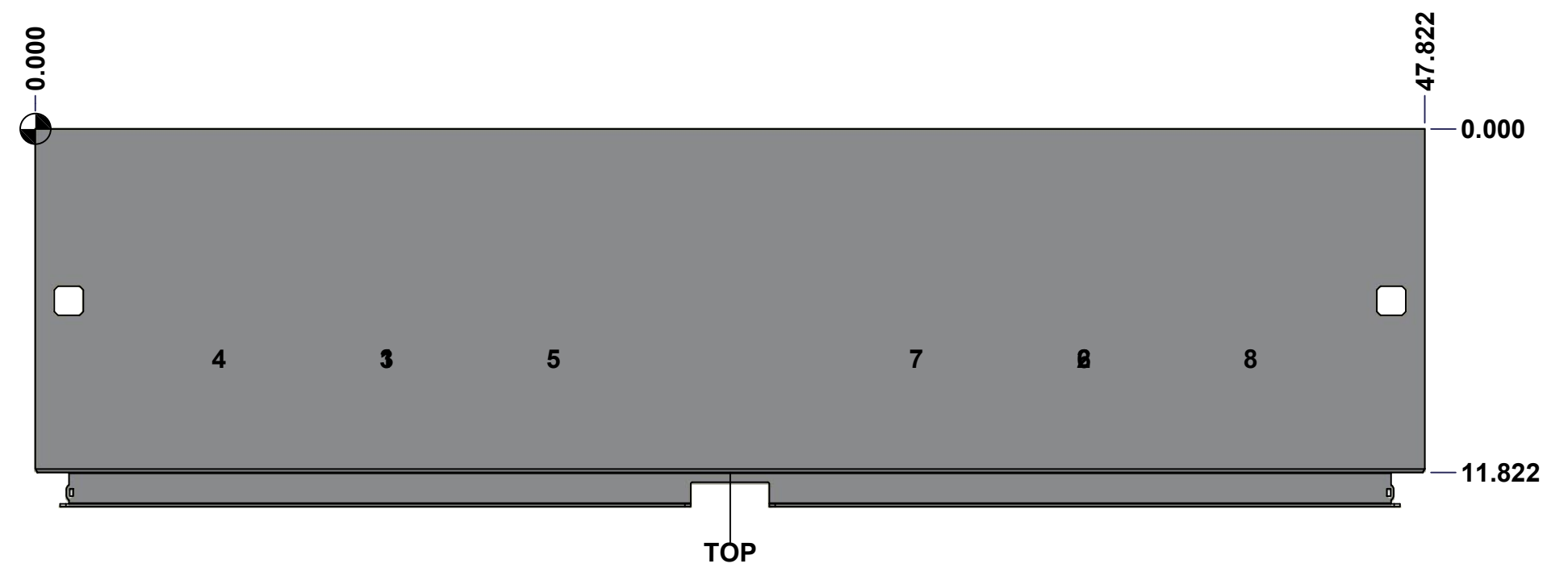
This drawing is confidential and must not be reproduced or used without the consent of EXM

Ce dessin est confidentiel et ne doit pas être reproduit ou utilisé sans le consentement de EXM

**STANDARD FEATURES ARE NOT LISTED IN THIS HOLE TABLE**

**HOLE TABLE - TOP VIEW (CUSTOM FEATURE ONLY)**

CUT-OUT	XDIM	YDIM	DESCRIPTION
1	11.911	7.911	Struts CR400 17.500" (Inside)
2	35.911	7.911	Struts CR400 17.500" (Inside)
3	11.911	7.911	STUDS M6 x 10mm (Inside)
4	6.161	7.911	STUDS M6 x 10mm (Inside)
5	17.661	7.911	STUDS M6 x 10mm (Inside)
6	35.911	7.911	STUDS M6 x 10mm (Inside)
7	30.161	7.911	STUDS M6 x 10mm (Inside)
8	41.661	7.911	STUDS M6 x 10mm (Inside)

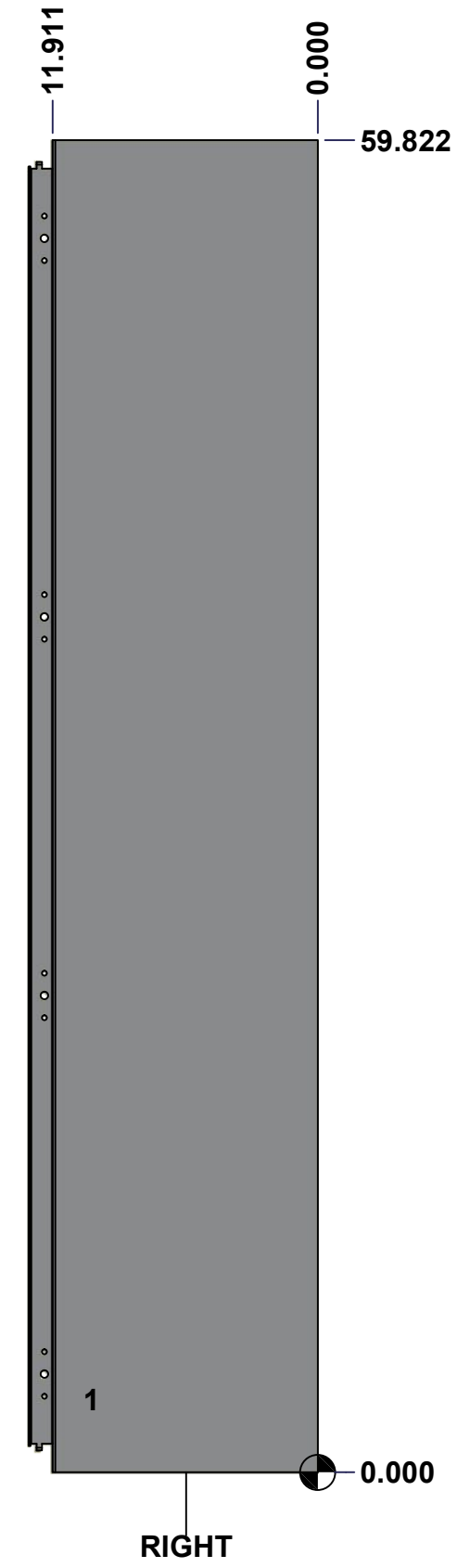


	Description	Status	
	5412DDS 60" x 48" x 12" Body	(NULL)	
	Part Number Numéro Pièce	Rev.	
	<b>5412DDS604812NOIPB</b>	<b>0</b>	4 18

This drawing is confidential and must not be reproduced or used without the consent of EXM

Ce dessin est confidentiel et ne doit pas être reproduit ou utilisé sans le consentement de EXM

STANDARD FEATURES ARE NOT LISTED IN THIS HOLE TABLE			
HOLE TABLE - RIGHT VIEW (CUSTOM FEATURE ONLY)			
CUT-OUT	XDIM	YDIM	DESCRIPTION
1	10.411	3.286	GND STUD M6 x 16mm (Inside)



	Description	Status
	5412DDS 60" x 48" x 12" Body	(NULL)
	Part Number Numéro Pièce	Rev.
	<b>5412DDS604812NOIPB</b>	<b>0</b>
		5
		18

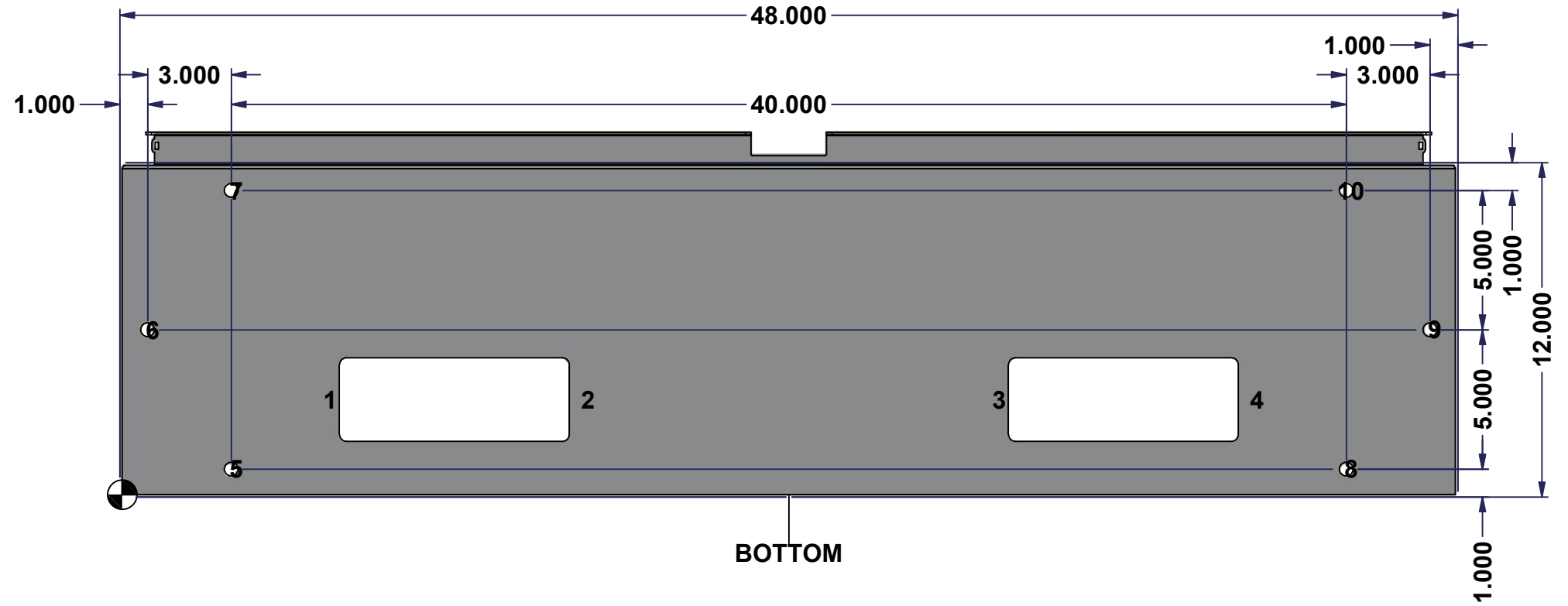
This drawing is confidential and must not be reproduced or used without the consent of EXM

Ce dessin est confidentiel et ne doit pas être reproduit ou utilisé sans le consentement de EXM

**STANDARD FEATURES ARE NOT LISTED IN THIS HOLE TABLE**

**HOLE TABLE - BOTTOM VIEW (CUSTOM FEATURE ONLY)**

CUT-OUT	XDIM	YDIM	DESCRIPTION
1	7.286	3.411	GP STUD M6 x 16mm (Inside)
2	16.536	3.411	GP STUD M6 x 16mm (Inside)
3	31.286	3.411	GP STUD M6 x 16mm (Inside)
4	40.536	3.411	GP STUD M6 x 16mm (Inside)
-----			
5	3.911	0.911	RND Ø0.500
6	0.911	5.911	RND Ø0.500
7	3.911	10.911	RND Ø0.500
8	43.911	0.911	RND Ø0.500
9	46.911	5.911	RND Ø0.500
10	43.911	10.911	RND Ø0.500

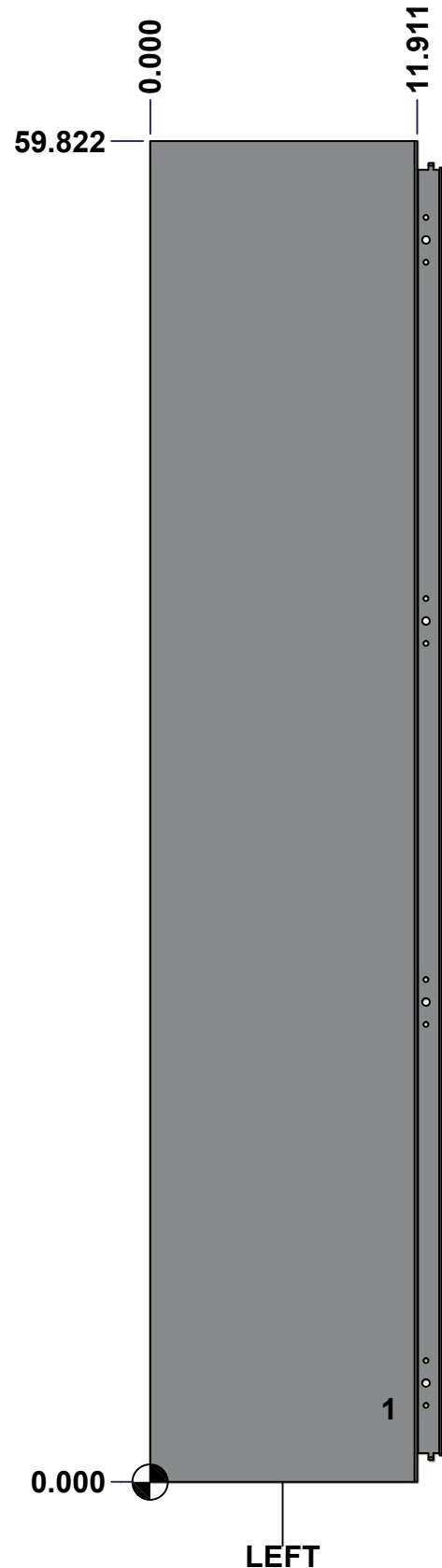


	Description	Status
	5412DDS 60" x 48" x 12" Body	(NULL)
	Part Number Numéro Pièce	Rev.
	<b>5412DDS604812NOIPB</b>	<b>0</b> / 6
		18

This drawing is confidential and must not be reproduced or used without the consent of EXM

Ce dessin est confidentiel et ne doit pas être reproduit ou utilisé sans le consentement de EXM

<b>STANDARD FEATURES ARE NOT LISTED IN THIS HOLE TABLE</b>			
<b>HOLE TABLE - LEFT VIEW (CUSTOM FEATURE ONLY)</b>			
CUT-OUT	XDIM	YDIM	DESCRIPTION
1	10.411	3.286	GND STUD M6 x 16mm (Inside)



	Description	Status	
	5412DDS 60" x 48" x 12" Body	(NULL)	
	Part Number Numéro Pièce	Rev.	7
	<b>5412DDS604812NOIPB</b>	<b>0</b>	18

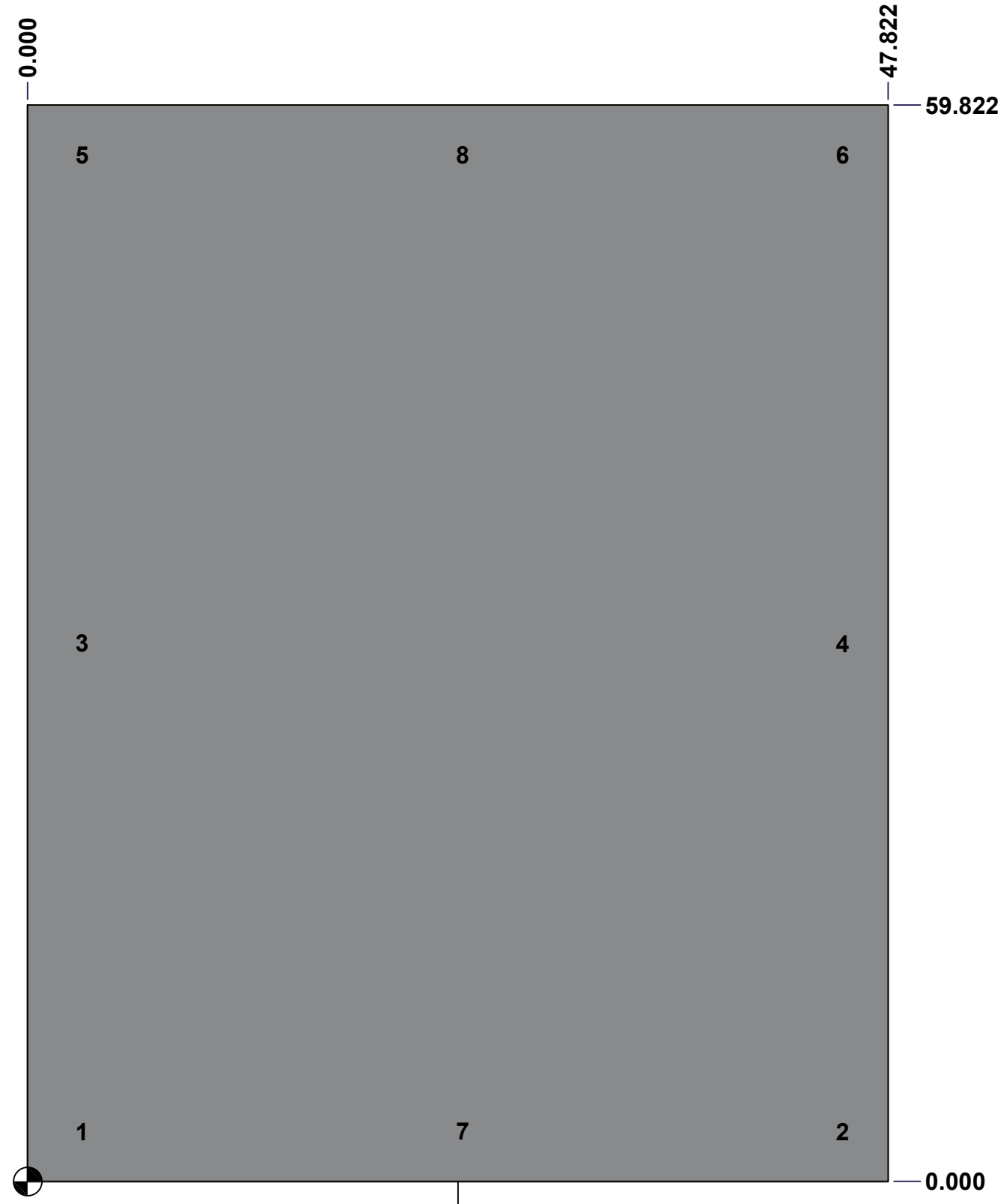
This drawing is confidential and must not be reproduced or used without the consent of EXM

Ce dessin est confidentiel et ne doit pas être reproduit ou utilisé sans le consentement de EXM

**STANDARD FEATURES ARE NOT LISTED IN THIS HOLE TABLE**

**HOLE TABLE - BACK VIEW (CUSTOM FEATURE ONLY)**

CUT-OUT	XDIM	YDIM	DESCRIPTION
1	2.786	2.786	IP STUD M10 x 40mm (Inside)
2	45.036	2.786	IP STUD M10 x 40mm (Inside)
3	2.786	29.911	IP STUD M10 x 40mm (Inside)
4	45.036	29.911	IP STUD M10 x 40mm (Inside)
5	2.786	57.036	IP STUD M10 x 40mm (Inside)
6	45.036	57.036	IP STUD M10 x 40mm (Inside)
7	23.911	2.786	IP STUD M10 x 40mm (Inside)
8	23.911	57.036	IP STUD M10 x 40mm (Inside)



BACK

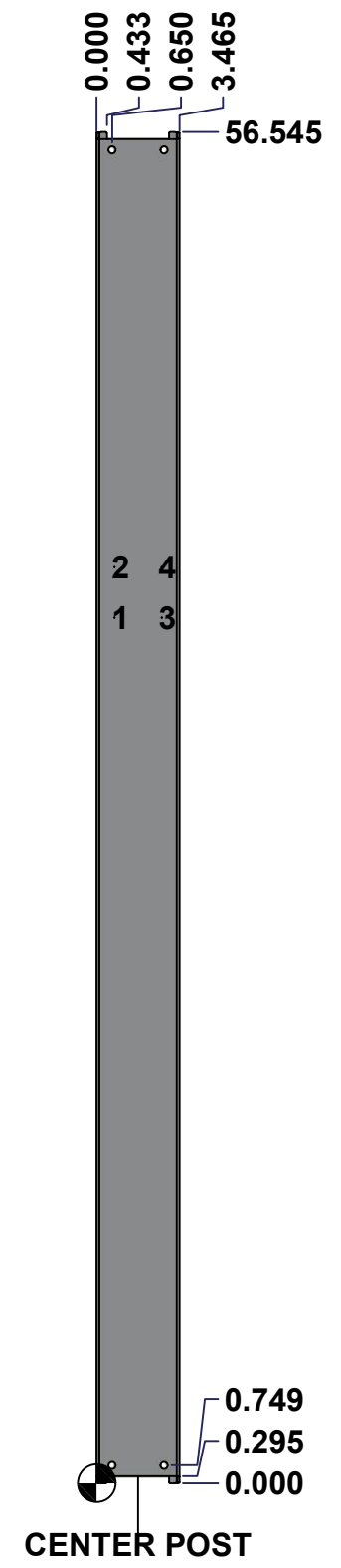
	Description	Status
	5412DDS 60" x 48" x 12" Body	(NULL)
	Part Number Numéro Pièce	Rev.
	<b>5412DDS604812NOIPB</b>	<b>0</b>
		8
		18



This drawing is confidential and must not be reproduced or used without the consent of EXM

Ce dessin est confidentiel et ne doit pas être reproduit ou utilisé sans le consentement de EXM

STANDARD FEATURES ARE NOT LISTED IN THIS HOLE TABLE			
HOLE TABLE - CENTER VIEW (CUSTOM FEATURE ONLY)			
CUT-OUT	XDIM	YDIM	DESCRIPTION
1	0.748	36.220	INTERLOCK STUD M6 x 16mm (Inside)
2	0.748	38.346	INTERLOCK STUD M6 x 16mm (Inside)
3	2.717	36.220	INTERLOCK STUD M6 x 16mm (Inside)
4	2.717	38.346	INTERLOCK STUD M6 x 16mm (Inside)

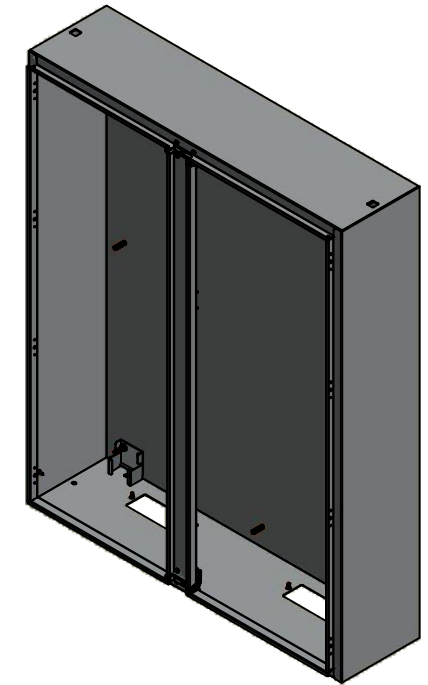


	Description	Status
	5412DDS 60" x 48" x 12" Body	(NULL)
	Part Number Numéro Pièce	Rev.
	<b>5412DDS604812NOIPB</b>	<b>0</b>
		9 18

This drawing is confidential and must not be reproduced or used without the consent of EXM

Ce dessin est confidentiel et ne doit pas être reproduit ou utilisé sans le consentement de EXM

No.	Revisions	Date	By/Par



Isometric View



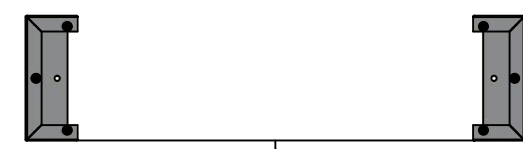
6	STK-Q-16030	0	Stud M6 x 10mm
6	STK-Q-07220	1	M6 Nylon Insert Lock Nut
2	STK-Q-74900	0	Eyebolt Lifting Angle (8.750")
1	STK-P-02400S	0	Powder Paint (Asa-61 Grey / Smooth)
4	STK-Q-16055	1	M6 x 18mm Stud (No Paint Cap Required)
1	STK-A-75454	3	Center Post - Sealing Block with Latch Assembly (Large)
1	5412DDS604812NOIPCP-P	0	5412DDS 60" Center Post Part
2	STK-Q-07320	0	Flange Lock Nut M10
2	STK-Q-07618	1	5500 Series Inner Panel Support Bracket
8	STK-Q-16100	0	Stud M10 x 40mm
1	5412DDS604812NOIPBT-P	0	5412DDS 48" x 12" Bottom Part
1	5412DDS604812NOIPT-P	0	5412DDS 48" x 12" Top Part
1	5412DDS604812NOIPRS-P	0	5412DDS 60" x 48" Right Part
1	5412DDS604812NOIPLS-P	0	5412DDS 60" x 48" Left Part
1	5412DDS604812NOIPB-P	0	5412DDS 60" x 48" Back Part
2	CR400MS_17.5	0	Commercial Roll Mild Steel (17.5in long)
6	STK-Q-16080	0	Ground Stud M6 x 16mm

Qty	Part Number	Rev	Description
Parts List			

<p>Tél: (450) 979-4373 Fax: (450) 979-4626 <a href="http://www.exmweb.com">www.exmweb.com</a></p>	<p>Flatness Aplatissement Max 3.0mm</p>
	<p>Projection</p>
Customer Client	Date
Drawn By Dessiné Par BoxCad: BoxCad	Date 2019-09-19
Material Matière 12 Ga Cold Rolled A1008 CS Type B (2.5mm)	
Color Couleur Asa-61 Grey	Finish Fini Smooth
Description 5412DDS 60" x 48" x 12" Body	Detail Rev.
Part Number Numéro Pièce <b>5412DDS604812NOIPB</b>	Rev. <b>0</b>

This drawing is confidential and must not be reproduced or used without the consent of EXM

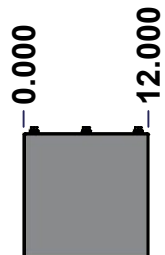
Ce dessin est confidentiel et ne doit pas être reproduit ou utilisé sans le consentement de EXM



TOP



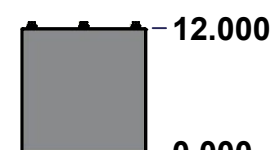
BACK



LEFT



FRONT

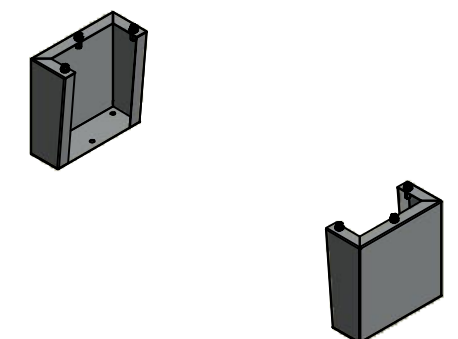


RIGHT

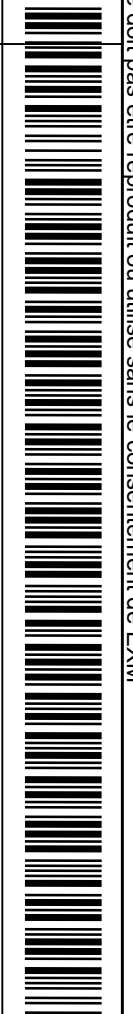


BOTTOM

No.	Revisions	Date	By/Par



Isometric View



Tél: (450) 979-4373  
 Fax: (450) 979-4626  
[www.exmweb.com](http://www.exmweb.com)

Flatness  
Aplatissement  
Max 3.0mm  
Projection

Customer Client  
 Drawn By Dessiné Par BoxCad: BoxCad  
 Date 2019-09-19

Material Matière 12 Ga Cold Rolled A1008 CS Type B (2.5mm)

Color Couleur Asa-61 Grey  
 Finish Fini Smooth

Description 885 MFHD 12" x 12" Mounting Feet  
 Detail Rev.

Part Number Numéro Pièce 5412DDS604812NOIPMF  
 Rev. 0

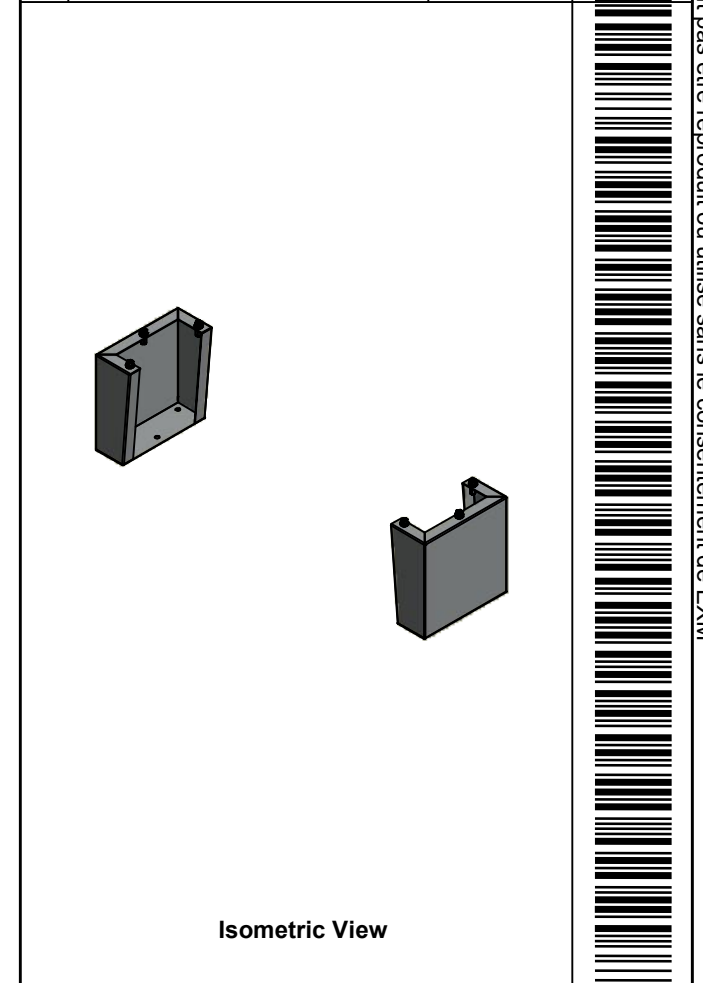
SEE BILL OF MATERIAL ON LAST PAGE

11  
18

This drawing is confidential and must not be reproduced or used without the consent of EXM

Ce dessin est confidentiel et ne doit pas être reproduit ou utilisé sans le consentement de EXM

No.	Revisions	Date	By/Par



Isometric View


 Tél: (450) 979-4373  
 Fax: (450) 979-4626  
[www.exmweb.com](http://www.exmweb.com)

Flatness / Aplatissement: Max 3.0mm  
 Projection: 

Customer Client	Date
Drawn By / Dessiné Par: BoxCad: BoxCad	Date: 2019-09-19

Material / Matière: 12 Ga Cold Rolled A1008 CS Type B (2.5mm)

Color / Couleur: Asa-61 Grey	Finish / Fini: Smooth
------------------------------	-----------------------

Description: 885 MFHD 12" x 12" Mounting Feet

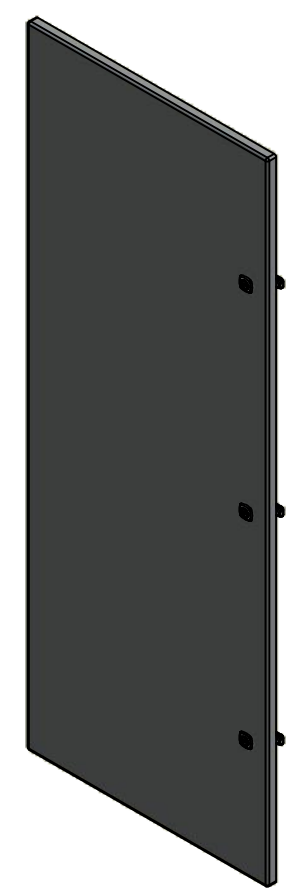
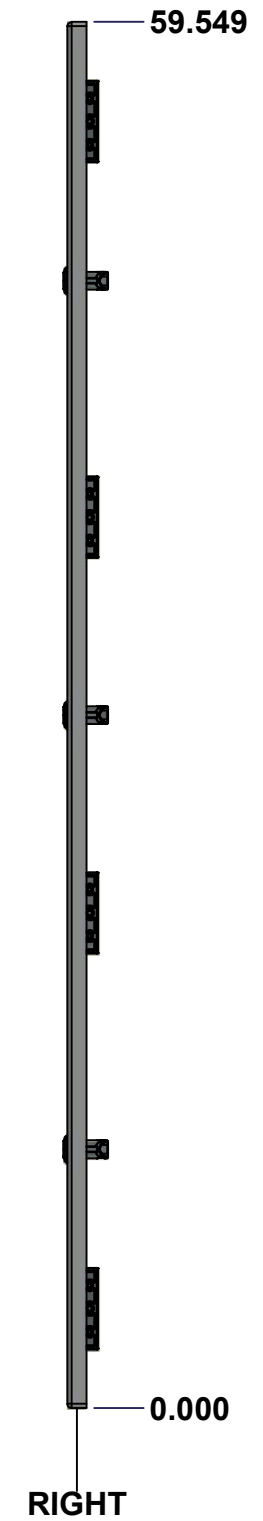
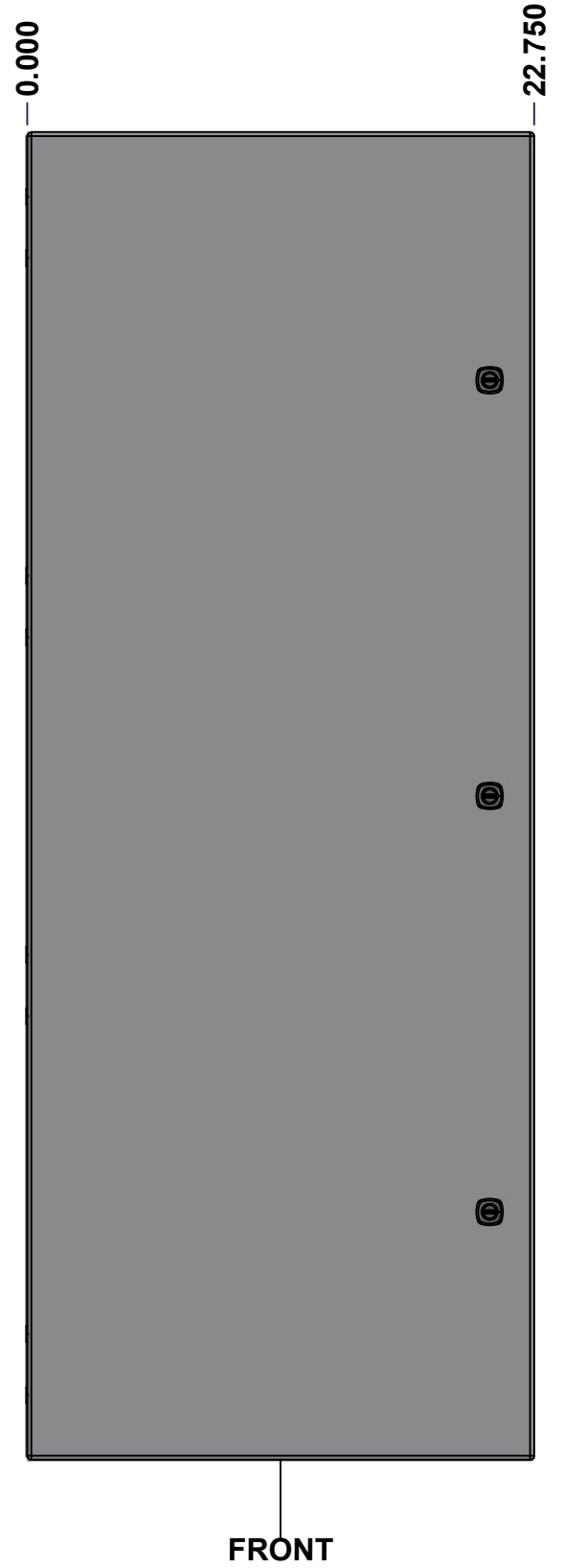
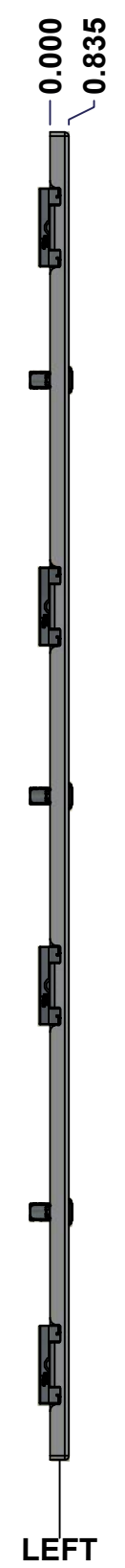
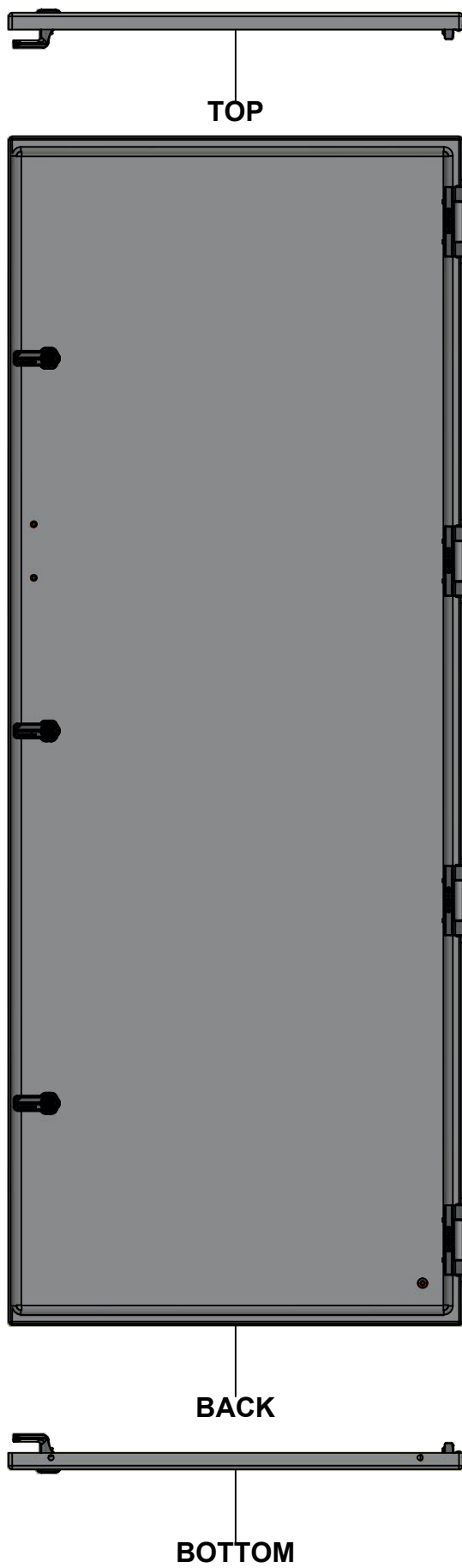
Detail Rev.

Part Number / Numéro Pièce: <b>5412DDS604812NOIPMF</b>	Rev. 0	12 / 18
--	--------	---------

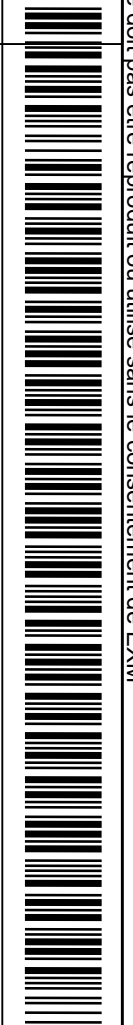
Qty	Part Name	Rev	Description
1	STK-P-02400S	0	Powder Paint (Asa-61 Grey / Smooth)
6	RIVET_NUT_M10_FH_CE	0	Rivet Nut M10 (Low Profile Close End)
1	5412DDS604812NOIPMF R-P	0	885 MFHD 12" x 12" Right Mounting Feet Part
1	5412DDS604812NOIPMF L-P	0	885 MFHD 12" x 12" Left Mounting Feet Part
1	STK-K-11600	2	885 MF Accessory Kit
Parts List			

This drawing is confidential and must not be reproduced or used without the consent of EXM


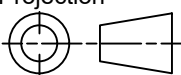
Ce dessin est confidentiel et ne doit pas être reproduit ou utilisé sans le consentement de EXM



Isometric View



No.	Revisions	Date	By/Par

 Tél: (450) 979-4373 Fax: (450) 979-4626 <a href="http://www.exmweb.com">www.exmweb.com</a>		Flatness Aplatissement Max 3.0mm Projection 
Customer Client	Date	
Drawn By Dessiné Par	BoxCad: BoxCad	Date 2019-09-19
Material Matière	12 Ga Cold Rolled A1008 CS Type B (2.5mm)	
Color Couleur	Asa-61 Grey	Finish Fini Smooth
Description	Detail Rev.	
5412DDS 60" x 48" Slave Door		
Part Number Numéro Pièce	Rev. 0	13 18

SEE BILL OF MATERIAL ON LAST PAGE

**5412DDS604812NOIPLD**

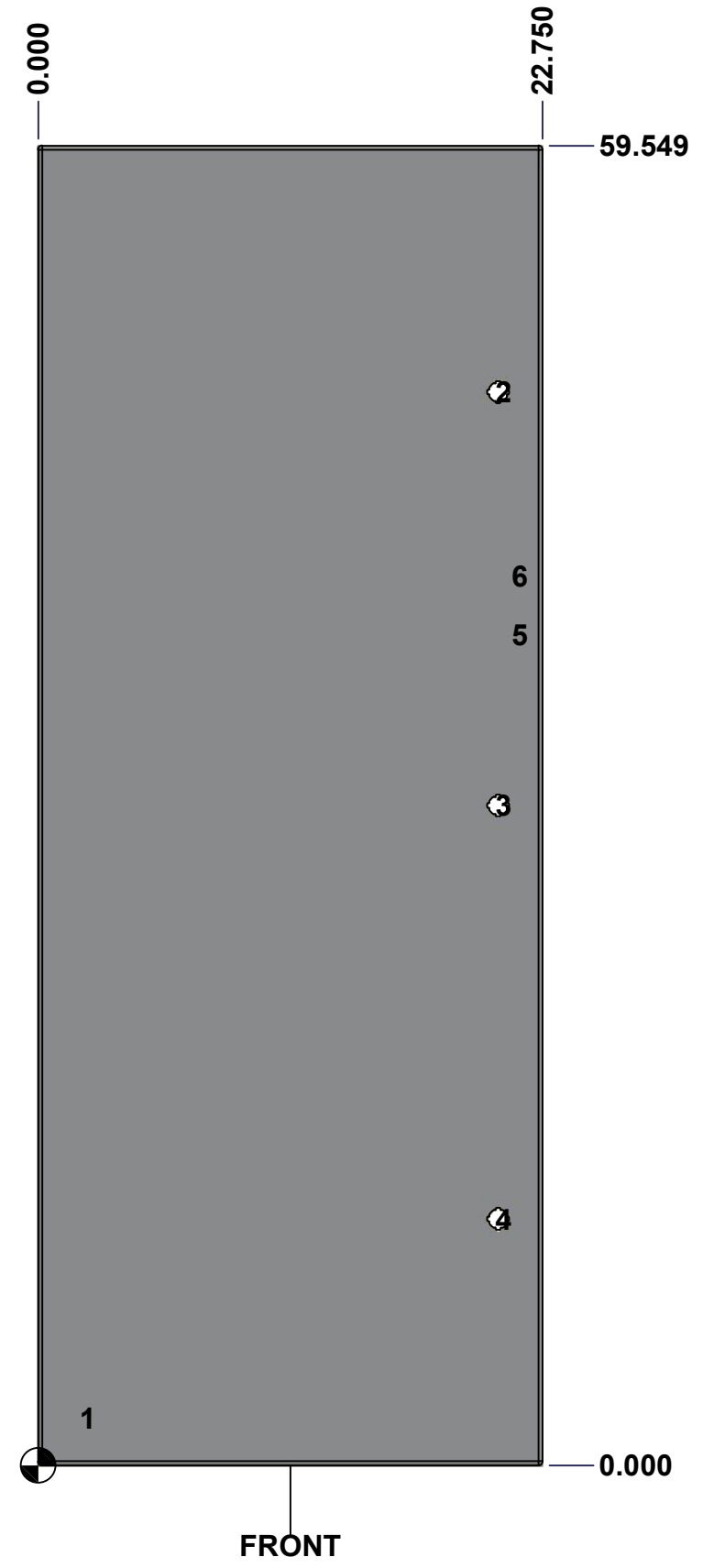
This drawing is confidential and must not be reproduced or used without the consent of EXM

Ce dessin est confidentiel et ne doit pas être reproduit ou utilisé sans le consentement de EXM

**STANDARD FEATURES ARE NOT LISTED IN THIS HOLE TABLE**

**HOLE TABLE - FRONT VIEW (CUSTOM FEATURE ONLY)**

CUT-OUT	XDIM	YDIM	DESCRIPTION
1	2.000	2.118	GND STUD M6 x 16mm (Inside)
2	20.750	48.430	LOCK 889 SCQ4-SL @ 0.0°
3	20.750	29.774	LOCK 889 SCQ4-SL @ 0.0°
4	20.750	11.118	LOCK 889 SCQ4-SL @ 0.0°
5	21.489	37.445	STUDS M6 x 18mm (Inside)
6	21.489	40.123	STUDS M6 x 18mm (Inside)

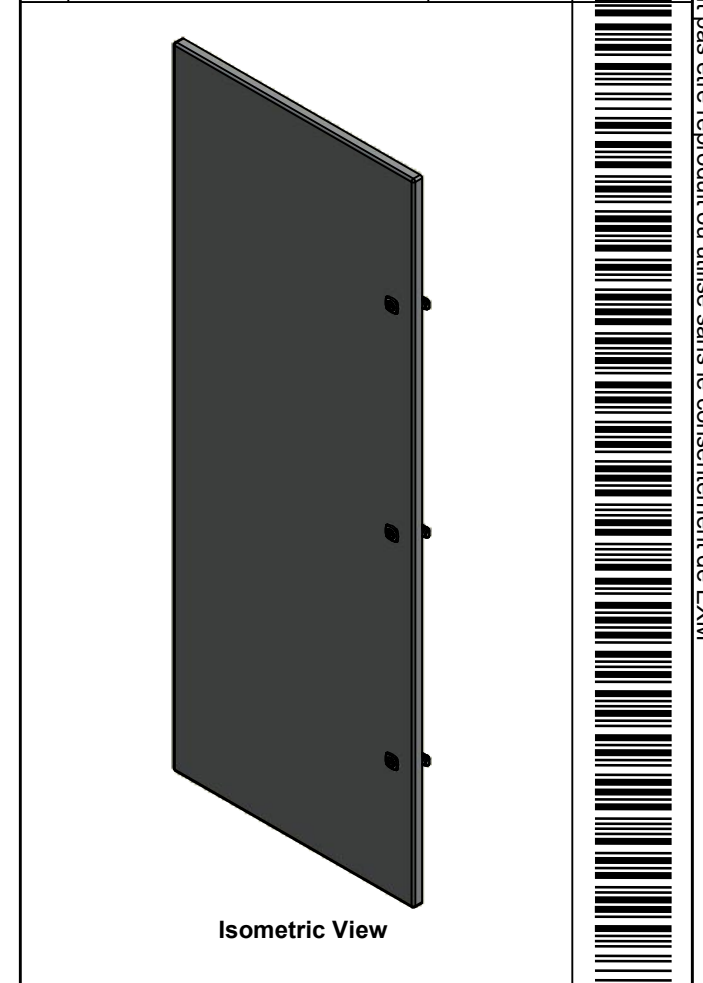


	Description	Status
	5412DDS 60" x 48" Slave Door	(NULL)
Part Number Numéro Pièce <b>5412DDS604812NOIPLD</b>	Rev.	14
	<b>0</b>	18

This drawing is confidential and must not be reproduced or used without the consent of EXM

Ce dessin est confidentiel et ne doit pas être reproduit ou utilisé sans le consentement de EXM

No.	Revisions	Date	By/Par




 Tél: (450) 979-4373  
 Fax: (450) 979-4626  
[www.exmweb.com](http://www.exmweb.com)

Flatness / Aplatissement: Max 3.0mm  
 Projection: 

Customer Client	Date
Drawn By / Dessiné Par: BoxCad: BoxCad	Date: 2019-09-19

Material / Matière: 12 Ga Cold Rolled A1008 CS Type B (2.5mm)
---

Color / Couleur: Asa-61 Grey	Finish / Fini: Smooth
------------------------------	-----------------------

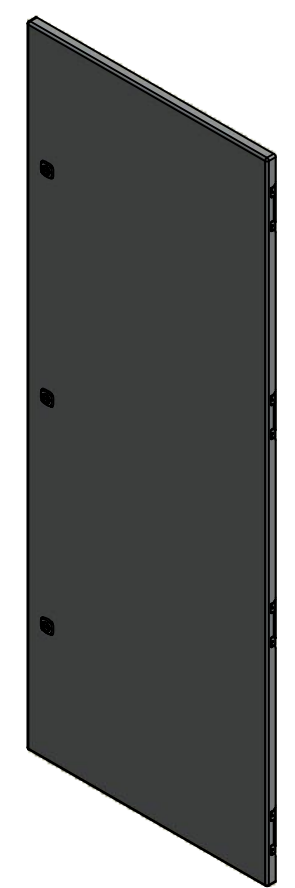
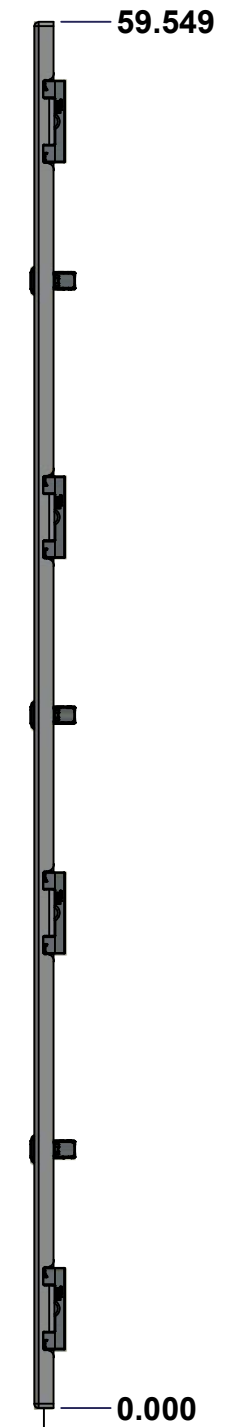
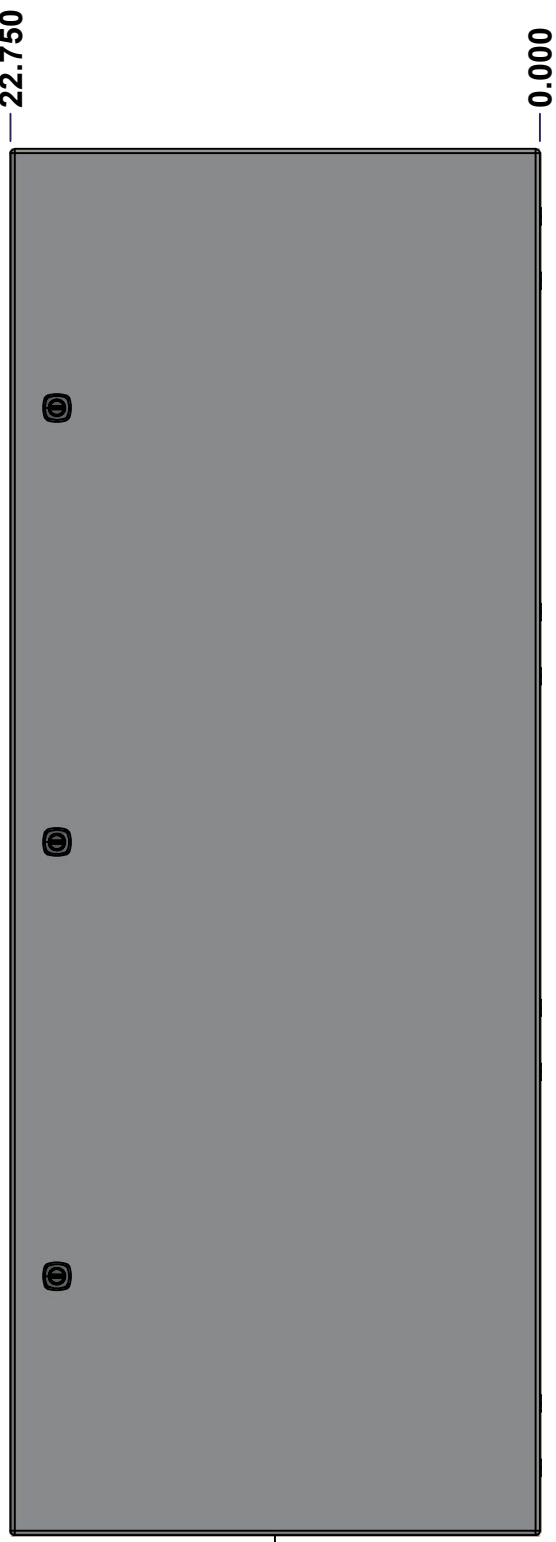
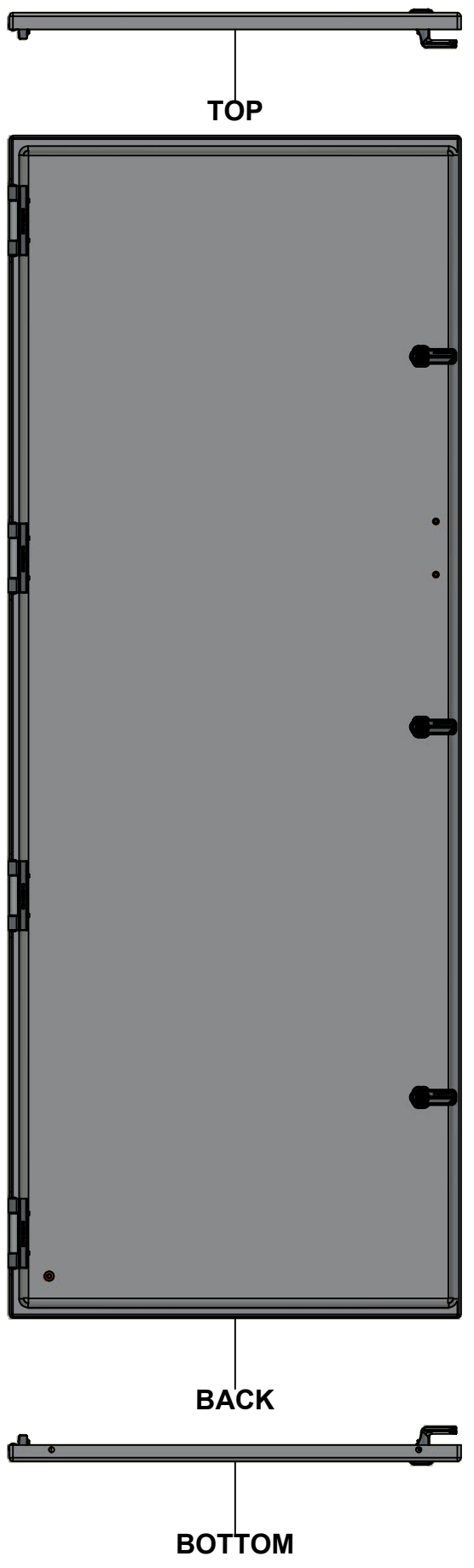
Description: 5412DDS 60" x 48" Slave Door	Detail Rev.
---	-------------

Part Number / Numéro Pièce: <b>5412DDS604812NOIPLD</b>	Rev. 0	15 / 18
--	--------	---------

Qty	Part Name	Rev	Description
2	STK-Q-16055	1	M6 x 18mm Stud (No Paint Cap Required)
1	5412DDS604812NOIPDG	0	5412DDS 60" x 48" Door Gasket
1	STK-Q-16080	0	Ground Stud M6 x 16mm
1	STK-P-02400S	0	Powder Paint (Asa-61 Grey / Smooth)
1	5412DDS604812NOIPLD-P	0	5412DDS 60" x 48" Slave Door Part
4	STK-K-09860	7	Cabinet Hinge with Captive Pins
3	STK-K-12580	0	9412 1/4 Turn Lock
Parts List			

This drawing is confidential and must not be reproduced or used without the consent of EXM

Ce dessin est confidentiel et ne doit pas être reproduit ou utilisé sans le consentement de EXM



No.	Revisions	Date	By/Par

Tél: (450) 979-4373 Fax: (450) 979-4626 <a href="http://www.exmweb.com">www.exmweb.com</a>		Flatness Aplatissement Max 3.0mm Projection 
Customer Client	Date	
Drawn By Dessiné Par	BoxCad: BoxCad	Date 2019-09-19
Material Matière	12 Ga Cold Rolled A1008 CS Type B (2.5mm)	
Color Couleur	Asa-61 Grey	Finish Fini: Smooth
Description	Detail Rev.	
5412DDS 60" x 48" Master Door		
Part Number Numéro Pièce	Rev. 0	16 18

SEE BILL OF MATERIAL ON LAST PAGE

**5412DDS604812NOIPFD**



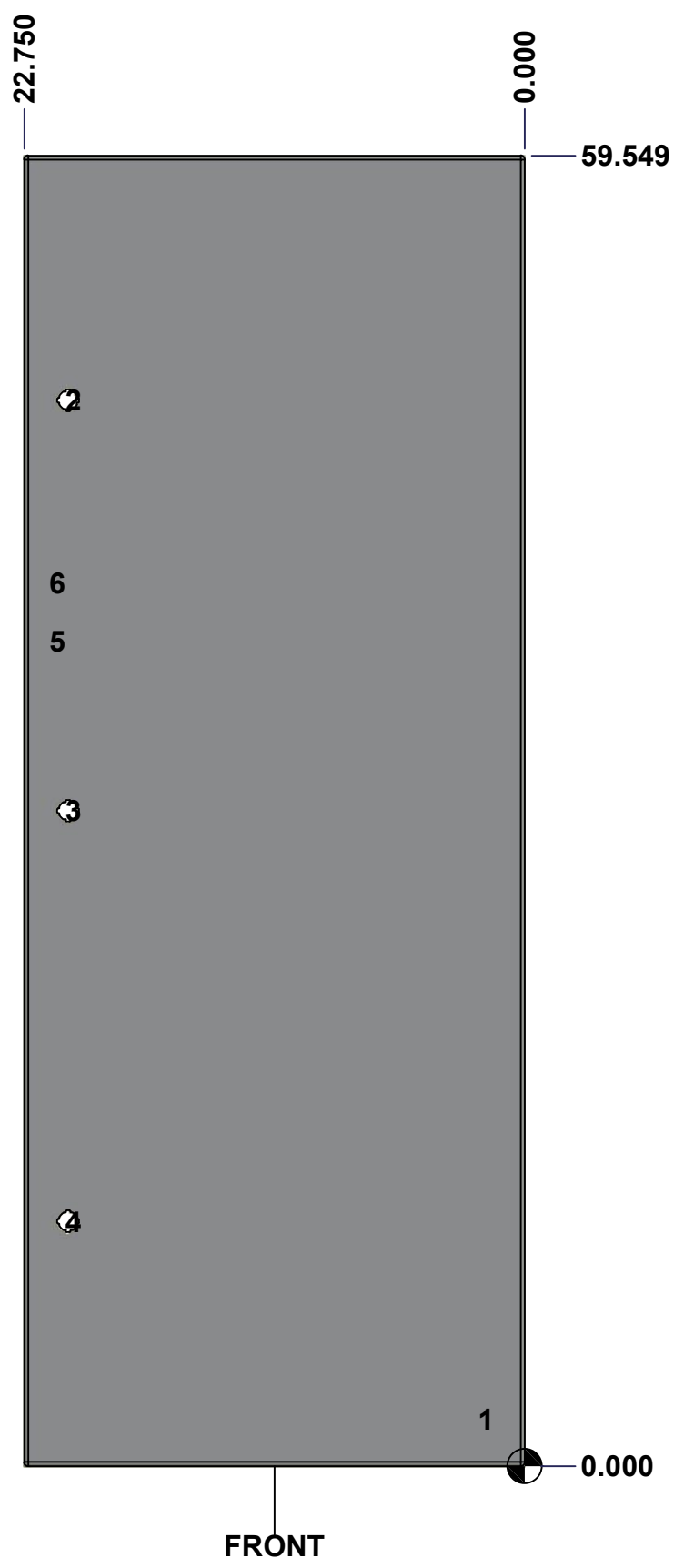
This drawing is confidential and must not be reproduced or used without the consent of EXM

Ce dessin est confidentiel et ne doit pas être reproduit ou utilisé sans le consentement de EXM

**STANDARD FEATURES ARE NOT LISTED IN THIS HOLE TABLE**

**HOLE TABLE - FRONT VIEW (CUSTOM FEATURE ONLY)**

CUT-OUT	XDIM	YDIM	DESCRIPTION
1	2.000	2.118	GND STUD M6 x 16mm (Inside)
2	20.750	48.430	LOCK 889 SCQ4-SL @ 180.0°
3	20.750	29.774	LOCK 889 SCQ4-SL @ 180.0°
4	20.750	11.118	LOCK 889 SCQ4-SL @ 180.0°
5	21.489	37.445	STUDS M6 x 18mm (Inside)
6	21.489	40.123	STUDS M6 x 18mm (Inside)

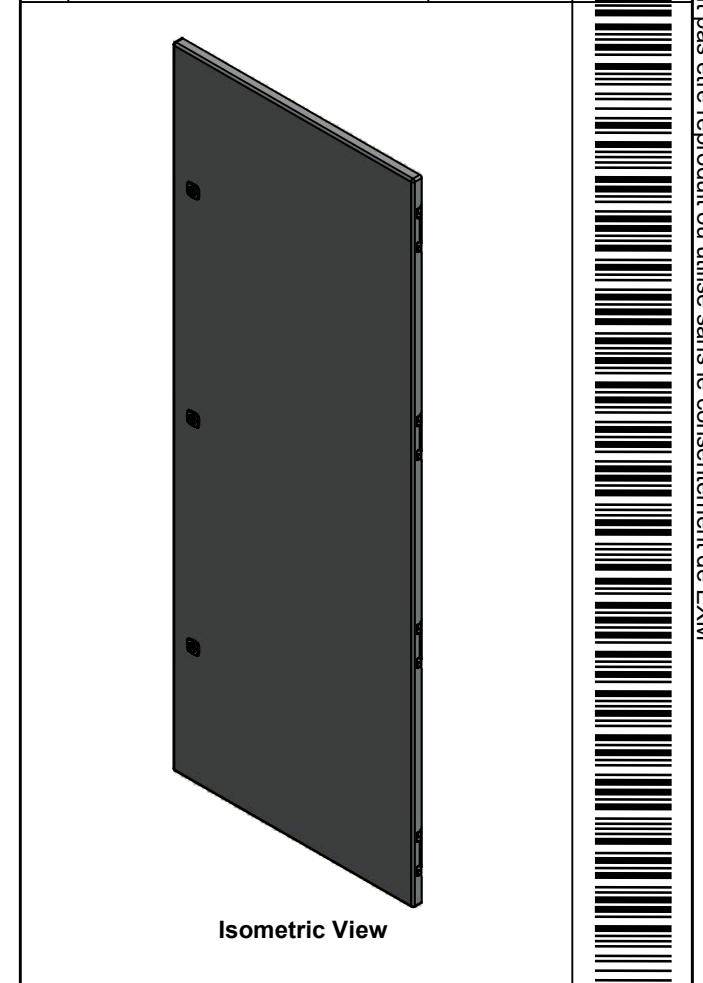


	Description		Status	
	5412DDS 60" x 48" Master Door		(NULL)	
Part Number Numéro Pièce		Rev.	17	
<b>5412DDS604812NOIPFD</b>		<b>0</b>	18	

This drawing is confidential and must not be reproduced or used without the consent of EXM

Ce dessin est confidentiel et ne doit pas être reproduit ou utilisé sans le consentement de EXM

No.	Revisions	Date	By/Par



Tél: (450) 979-4373 Fax: (450) 979-4626 <a href="http://www.exmweb.com">www.exmweb.com</a>		Flatness Aplatissement	Max 3.0mm
		Projection	
Customer Client	Date		
Drawn By Dessiné Par	BoxCad: BoxCad	Date	2019-09-19
Material Matière	12 Ga Cold Rolled A1008 CS Type B (2.5mm)		
Color Couleur	Asa-61 Grey	Finish Fini	Smooth
Description	5412DDS 60" x 48" Master Door		Detail Rev.
Part Number Numéro Pièce	<b>5412DDS604812NOIPFD</b>		Rev. 18
			<b>0</b>

Qty	Part Name	Rev	Description
2	STK-Q-16055	1	M6 x 18mm Stud (No Paint Cap Required)
1	5412DDS604812NOIPDG	0	5412DDS 60" x 48" Door Gasket
1	STK-Q-16080	0	Ground Stud M6 x 16mm
1	STK-P-02400S	0	Powder Paint (Asa-61 Grey / Smooth)
1	5412DDS604812NOIPFD-P	0	5412DDS 60" x 48" Master Door Part
4	STK-K-09860	7	Cabinet Hinge with Captive Pins
3	STK-K-12580	0	9412 1/4 Turn Lock
Parts List			