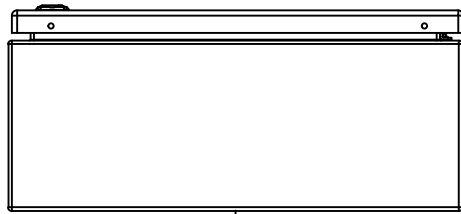
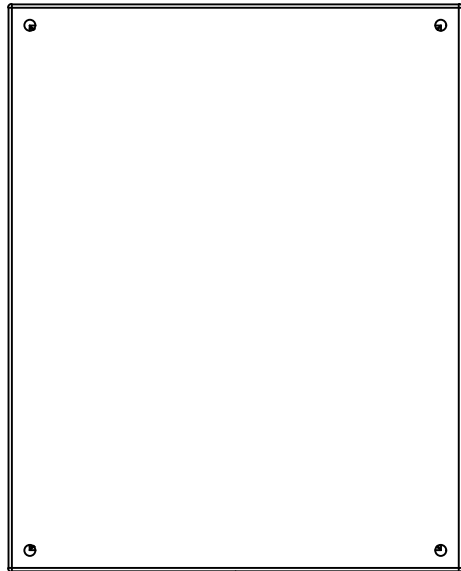


This drawing is confidential and must not be reproduced or used without the consent of EXM

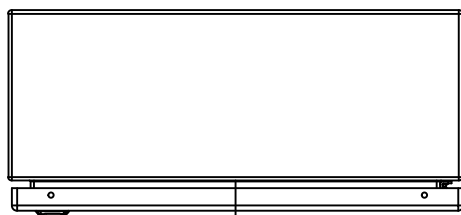
Ce dessin est confidentiel et ne doit pas être reproduit ou utilisé sans le consentement de EXM



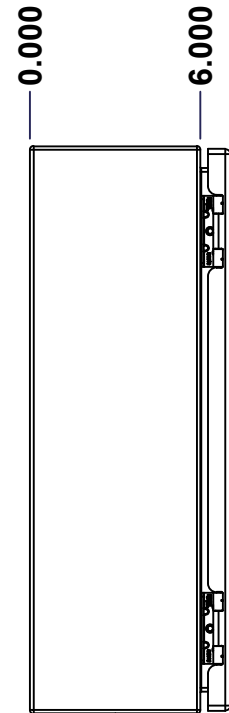
TOP



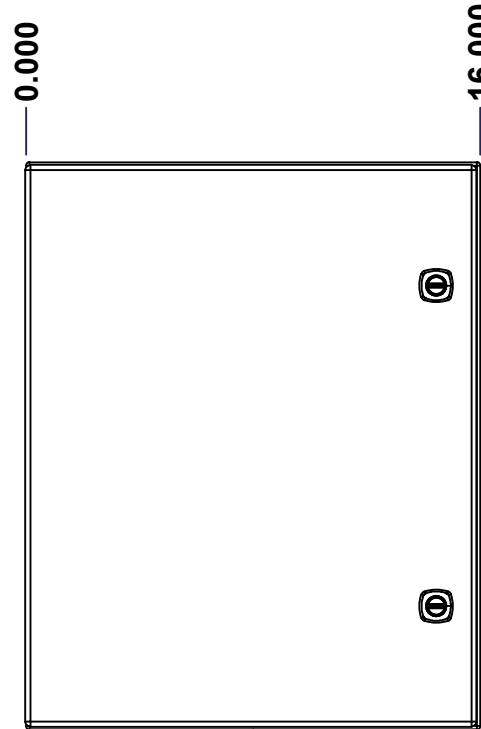
BACK



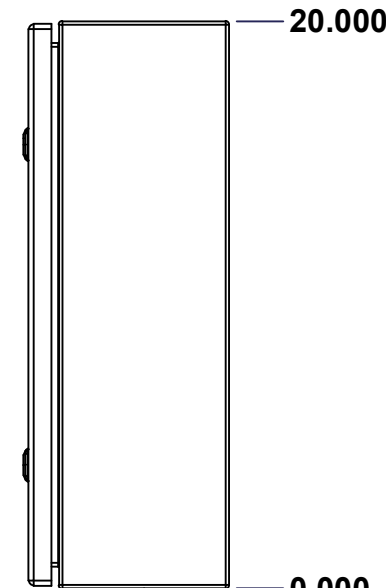
BOTTOM



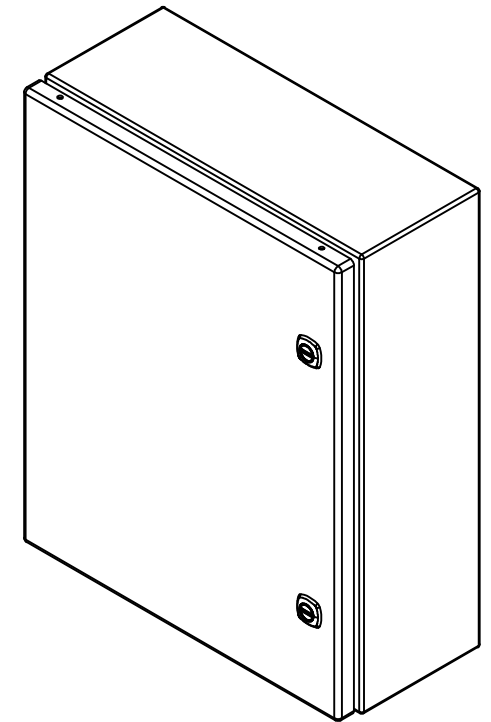
LEFT



FRONT




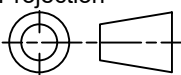
RIGHT



Isometric View



| No. | Revisions | Date | By/Par |
|-----|-----------|------|--------|
|     |           |      |        |
|     |           |      |        |
|     |           |      |        |
|     |           |      |        |

|  |                           |   |
|--|---------------------------|---|
|  Tél: (450) 979-4373<br>Fax: (450) 979-4626<br><a href="http://www.exmweb.com">www.exmweb.com</a> |                           | Flatness<br>Aplatissement<br>Max 3.0mm<br>Projection<br> |
| Customer Client  | Date                      |   |
| Drawn By<br>Dessiné Par  | BoxCad: BoxCad            | Date 27-Aug-14  |
| Material<br>Matière  | Aluminum 5052-H32 (2.3mm) |   |
| Color<br>Couleur   | Asa-61 Grey               | Finish<br>Fini Smooth   |
| Description  | Detail Rev.               |   |
| 5412EAL 20" x 16" x 6" Assembly  |                           |   |
| Part Number<br>Numéro Pièce  | Rev.                      | 1   |
| 5412EAL201606  | 0                         | 9   |

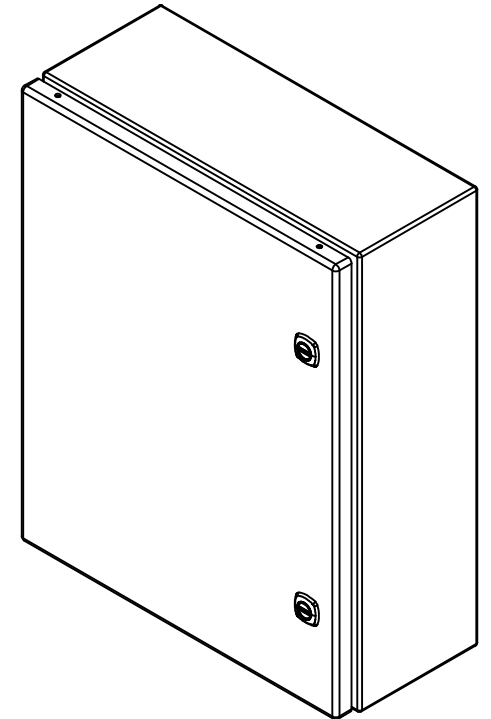
SEE BILL OF MATERIAL ON LAST PAGE

This drawing is confidential and must not be reproduced or used without the consent of EXM

Ce dessin est confidentiel et ne doit pas être reproduit ou utilisé sans le consentement de EXM

| NOTE |  |
|------|--|
| ITEM | DESCRIPTION                                |
| 1    | NEMA 4X Enclosure (IP66)                   |
| 2    | C/W Standard ground studs on box and cover |
| 3    | C/W Standard door stiffener                |
| 4    | C/W Standard inner panel (Included)        |
| 5    | C/W Standard inner panel mounting studs    |
| 6    | C/W 880 PP included (Not installed)        |

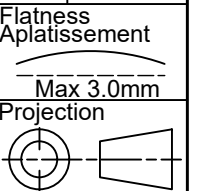
| No. | Revisions | Date | By/Par |
|-----|-----------|------|--------|
|     |           |      |        |
|     |           |      |        |
|     |           |      |        |
|     |           |      |        |
|     |           |      |        |
|     |           |      |        |



Isometric View



Tél: (450) 979-4373  
 Fax: (450) 979-4626  
[www.exmweb.com](http://www.exmweb.com)



|                         |                           |
|-------------------------|---------------------------|
| Customer Client         | Date                      |
| Drawn By<br>Dessiné Par | Date 27-Aug-14            |
| Material<br>Matière     | Aluminum 5052-H32 (2.3mm) |

|                  |             |                |        |
|------------------|-------------|----------------|--------|
| Color<br>Couleur | Asa-61 Grey | Finish<br>Fini | Smooth |
|------------------|-------------|----------------|--------|

|                                 |             |
|---------------------------------|-------------|
| Description                     | Detail Rev. |
| 5412EAL 20" x 16" x 6" Assembly |             |

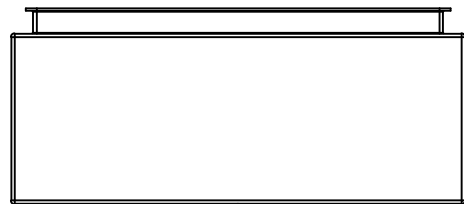
|                             |          |   |
|-----------------------------|----------|---|
| Part Number<br>Numéro Pièce | Rev.     | 2 |
| <b>5412EAL201606</b>        | <b>0</b> | 9 |

| Qty | Part Number    | Rev | Description                                |
|-----|----------------|-----|--|
| 2   | STK-Q-07310    | 3   | Flange Lock Nut M8                         |
| 1   | 881 SP2016G    | 0   | 881 SP - Inner Panel                       |
| 2   | STK-Q-07615    | 0   | Inner Panel Support Bracket                |
| 1   | STK-K-01320    | 0   | 5412 ES Inner Panel Accessory Kit          |
| 1   | 880 PP         | 6   | Self Adhesive Print Pocket                 |
| 1   | STK-K-01800    | 5   | 5412 ES Accessory Kit                      |
| 1   | 5412EAL201606C | 0   | 5412EAL 20" x 16" Cover                    |
| 1   | 5412EAL201606B | 0   | 5412EAL 20" x 16" x 6" Body                |
| 2   | STK-Q-04050-08 | 0   | M6 x 8mm Hexagon Socket Head Machine Screw |

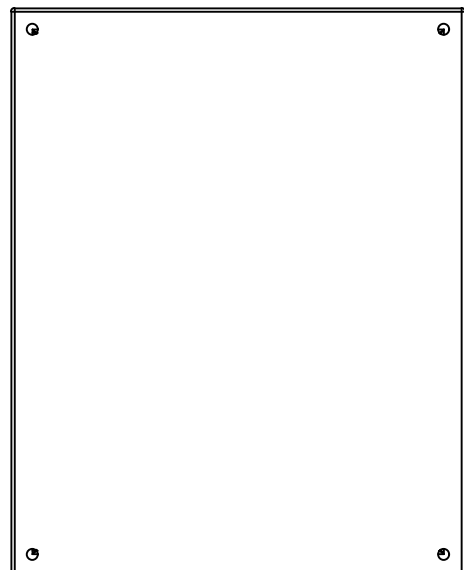
| PACKING               |     |  |
|-----------------------|-----|--|
| ITEM                  | QTY | DESCRIPTION                                |
| Cardboard sleeve      | 2   | Top and Bottom                             |
| Cardboard strip       | 2   | Between back of enclosure and inner panel  |
| Plastic bag           | 1   | To protect cover surface and inside gasket |
| Plastic strap - Black | 2   | To Squeeze the 2 cardboard sleeve together |
| Packaging label       | 1   | White label with product number            |

This drawing is confidential and must not be reproduced or used without the consent of EXM

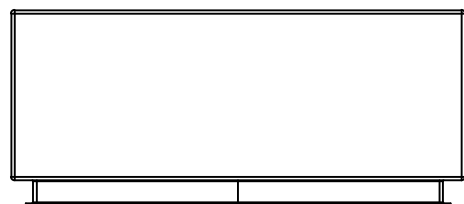
Ce dessin est confidentiel et ne doit pas être reproduit ou utilisé sans le consentement de EXM



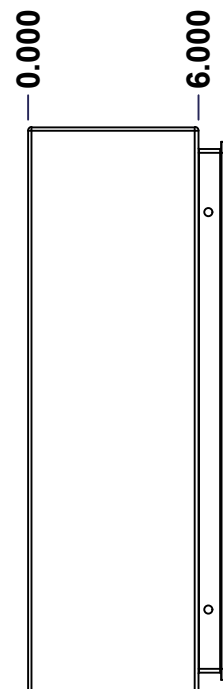
TOP



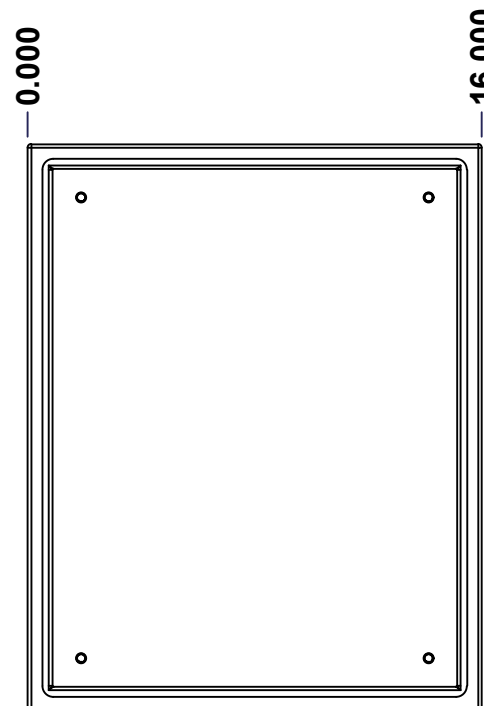
BACK



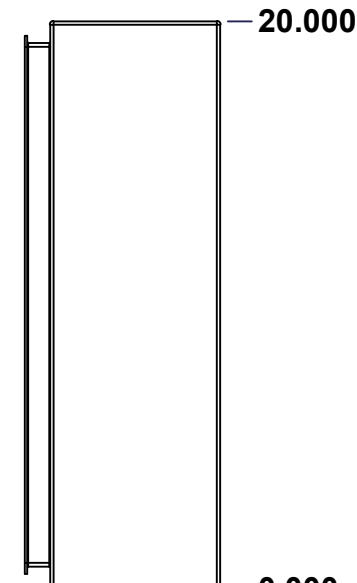
BOTTOM



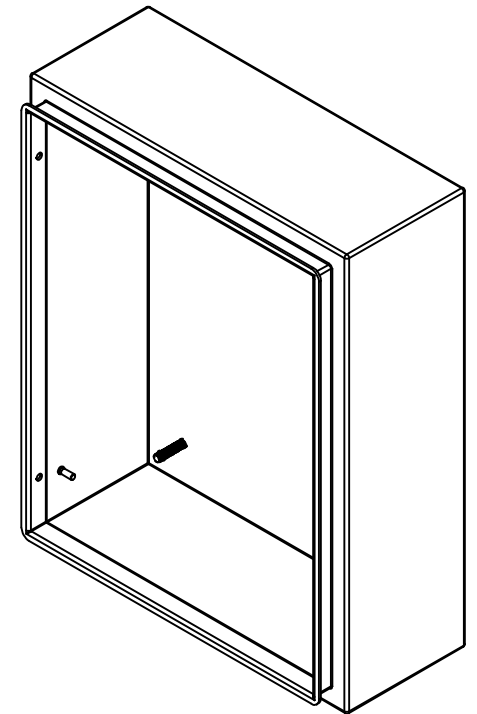
LEFT



FRONT




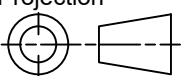
RIGHT



Isometric View



| No. | Revisions | Date | By/Par |
|-----|-----------|------|--------|
|     |           |      |        |
|     |           |      |        |
|     |           |      |        |
|     |           |      |        |

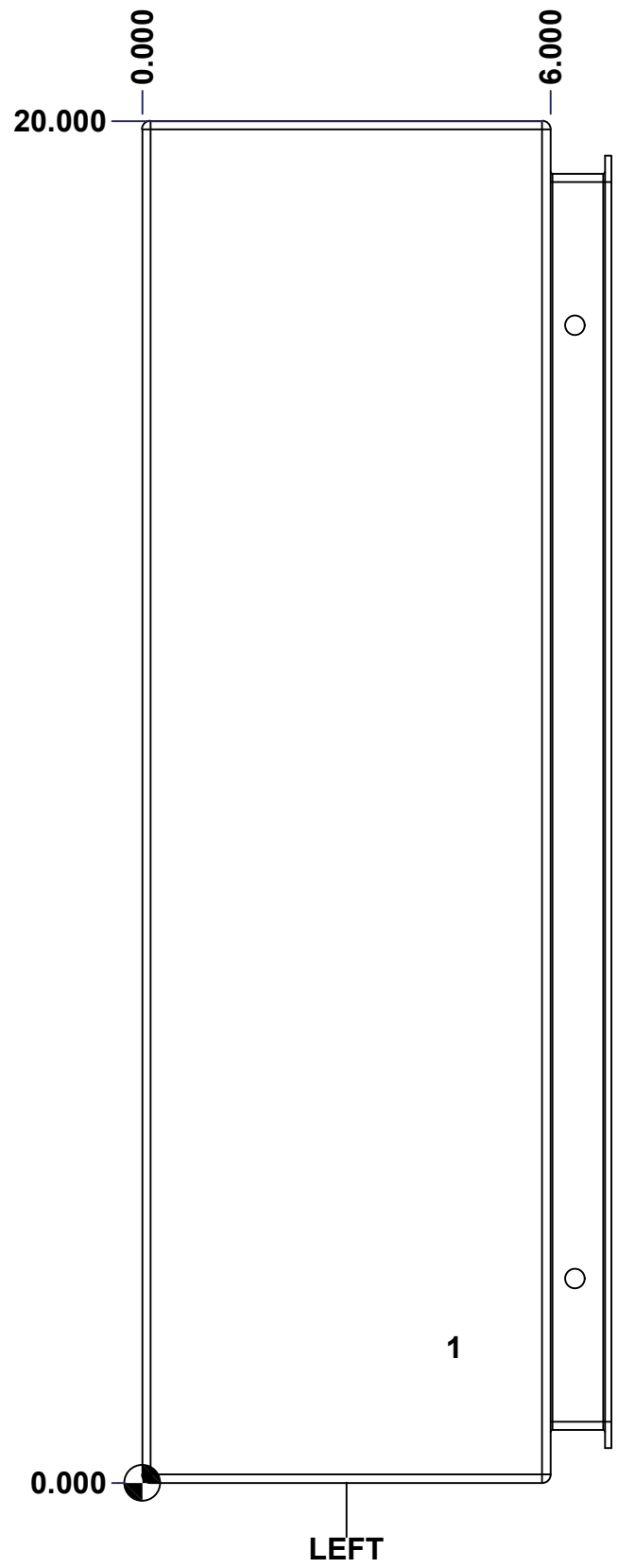
|  |                           |   |
|--|---------------------------|---|
|  Tél: (450) 979-4373<br>Fax: (450) 979-4626<br><a href="http://www.exmweb.com">www.exmweb.com</a> |                           | Flatness<br>Aplatissement<br>Max 3.0mm<br>Projection<br> |
| Customer Client  | Date                      |   |
| Drawn By<br>Dessiné Par  | BoxCad: BoxCad            | Date 27-Aug-14  |
| Material<br>Matière  | Aluminum 5052-H32 (2.3mm) |   |
| Color<br>Couleur   | Asa-61 Grey               | Finish<br>Fini Smooth   |
| Description  | Detail Rev.               |   |
| 5412EAL 20" x 16" x 6" Body  |                           |   |
| Part Number<br>Numéro Pièce  | Rev.                      | 3   |
| 5412EAL201606B   | 0                         | 9   |

SEE BILL OF MATERIAL ON LAST PAGE

This drawing is confidential and must not be reproduced or used without the consent of EXM

Ce dessin est confidentiel et ne doit pas être reproduit ou utilisé sans le consentement de EXM

| <b>STANDARD FEATURES ARE NOT LISTED IN THIS HOLE TABLE</b> |       |       |                             |
|--|-------|-------|-----------------------------|
| <b>HOLE TABLE - LEFT VIEW (CUSTOM FEATURE ONLY)</b>        |       |       |                             |
| CUT-OUT  | XDIM  | YDIM  | DESCRIPTION                 |
| 1  | 4.500 | 2.000 | GND STUD M6 x 16mm (Inside) |



|  |                             |          |        |
|--|-----------------------------|----------|--------|
|  | Description                 | Status   |        |
|  | 5412EAL 20" x 16" x 6" Body | (NULL)   |        |
|  | Part Number<br>Numéro Pièce | Rev.     |        |
|  | <b>5412EAL201606B</b>       | <b>0</b> | 4<br>9 |

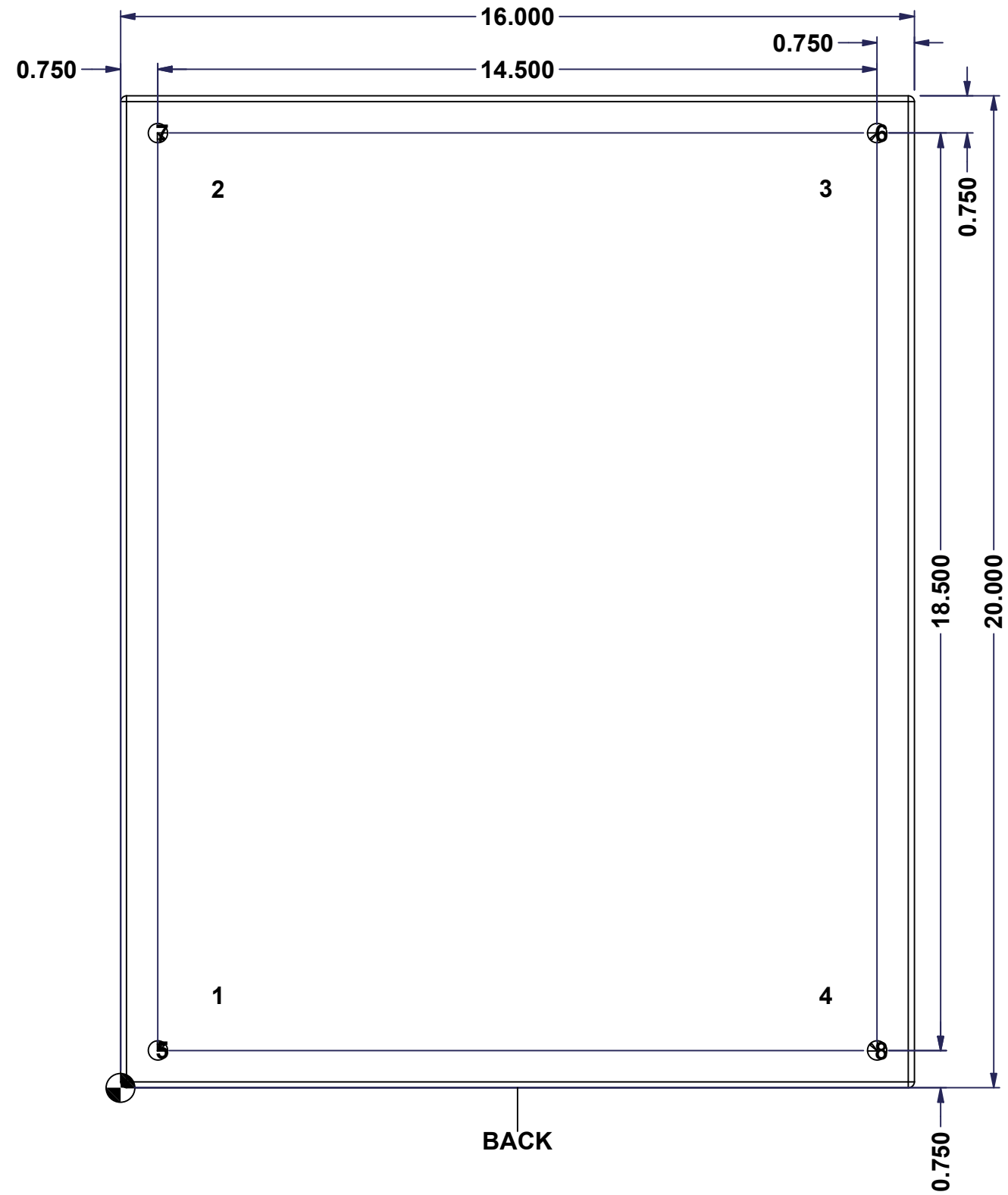
This drawing is confidential and must not be reproduced or used without the consent of EXM

Ce dessin est confidentiel et ne doit pas être reproduit ou utilisé sans le consentement de EXM

**STANDARD FEATURES ARE NOT LISTED IN THIS HOLE TABLE**

**HOLE TABLE - BACK VIEW (CUSTOM FEATURE ONLY)**

| CUT-OUT | XDIM   | YDIM   | DESCRIPTION                |
|---------|--------|--------|----------------------------|
| 1       | 1.875  | 1.875  | IP STUD M8 x 35mm (Inside) |
| 2       | 1.875  | 18.125 | IP STUD M8 x 35mm (Inside) |
| 3       | 14.125 | 18.125 | IP STUD M8 x 35mm (Inside) |
| 4       | 14.125 | 1.875  | IP STUD M8 x 35mm (Inside) |
| -----   |        |        |                            |
| 5       | 0.750  | 0.750  | RND Ø0.390                 |
| 6       | 15.250 | 19.250 | RND Ø0.390                 |
| 7       | 0.750  | 19.250 | RND Ø0.390                 |
| 8       | 15.250 | 0.750  | RND Ø0.390                 |



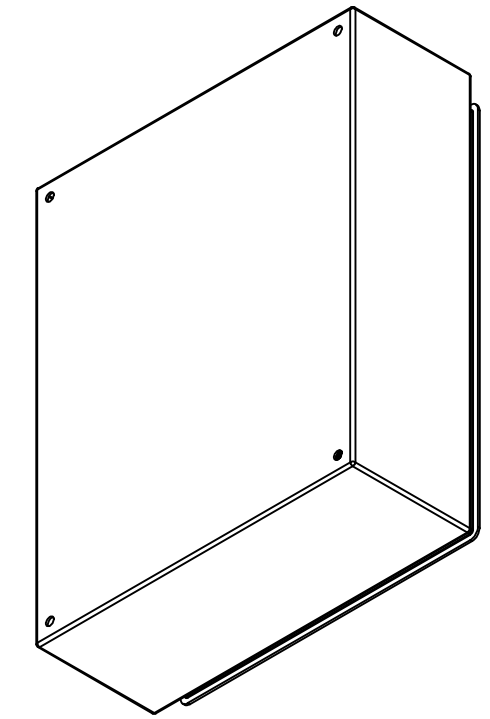
BACK

|  |                             |                       |   |
|--|-----------------------------|-----------------------|---|
|  | Description                 | Status                |   |
|  | 5412EAL 20" x 16" x 6" Body | (NULL)                |   |
|  | Part Number                 | Rev.                  | 5 |
|  | Numéro Pièce                | <b>0</b>              | 9 |
|  |                             | <b>5412EAL201606B</b> |   |

This drawing is confidential and must not be reproduced or used without the consent of EXM


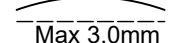
Ce dessin est confidentiel et ne doit pas être reproduit ou utilisé sans le consentement de EXM

| No. | Revisions | Date | By/Par |
|-----|-----------|------|--------|
|     |           |      |        |
|     |           |      |        |
|     |           |      |        |
|     |           |      |        |
|     |           |      |        |



Isometric View

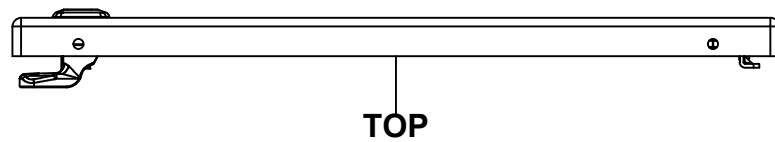


|  |                       |  |
|--|-----------------------|--|
|  Tél: (450) 979-4373<br>Fax: (450) 979-4626<br><a href="http://www.exmweb.com">www.exmweb.com</a> |                       | Flatness<br>Aplatissement<br> Max 3.0mm |
| Customer Client  |                       | Date   |
| Drawn By / Dessiné Par: BoxCad: BoxCad   |                       | Date: 27-Aug-14  |
| Material / Matière: Aluminum 5052-H32 (2.3mm)  |                       |  |
| Color / Couleur: Asa-61 Grey   | Finish / Fini: Smooth |  |
| Description: 5412EAL 20" x 16" x 6" Body   |                       | Detail Rev.  |
| Part Number / Numéro Pièce: <b>5412EAL201606B</b>  |                       | Rev. 6 / 9   |

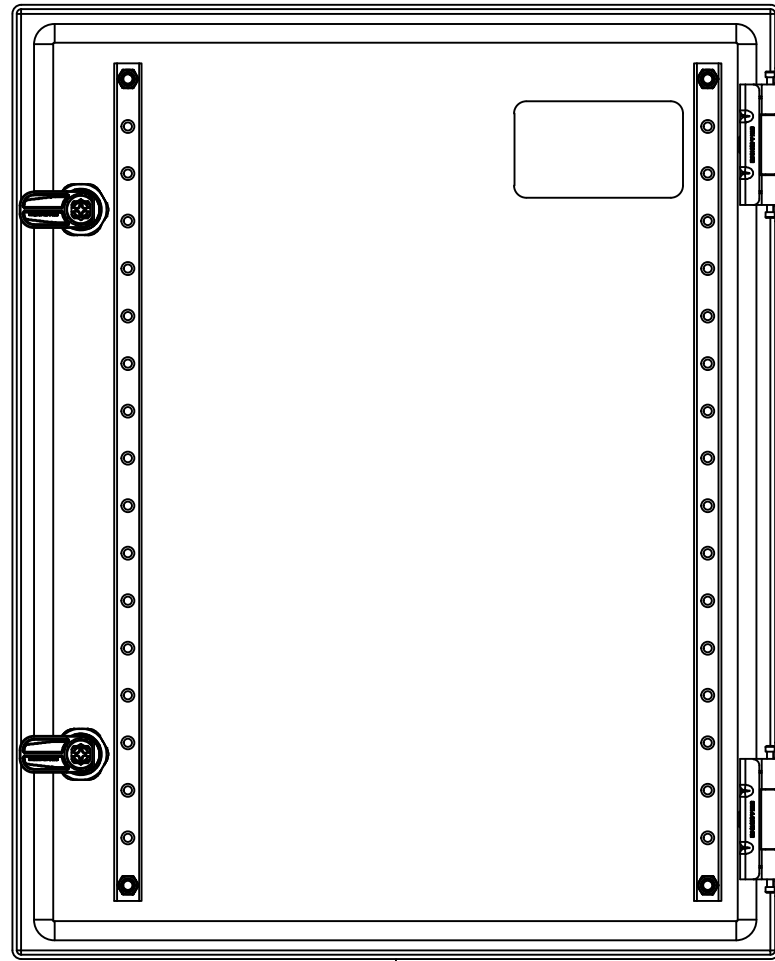
| Qty        | Part Number      | Rev | Description                         |
|------------|------------------|-----|-------------------------------------|
| 1          | STK-Q-16090      | 0   | Ground Stud M6 x 16mm Aluminum      |
| 1          | STK-P-02400S     | 0   | Powder Paint (Asa-61 Grey / Smooth) |
| 4          | STK-Q-16010      | 0   | Stud M8 x 35mm Aluminum             |
| 1          | 5412EAL201606B-P | 0   | 5412EAL 20" x 16" x 6" Body Part    |
| Parts List |                  |     |                                     |

This drawing is confidential and must not be reproduced or used without the consent of EXM

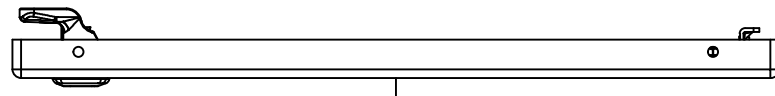
Ce dessin est confidentiel et ne doit pas être reproduit ou utilisé sans le consentement de EXM



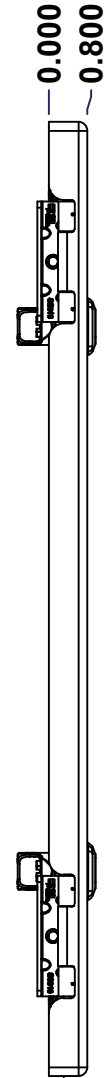
TOP



BACK

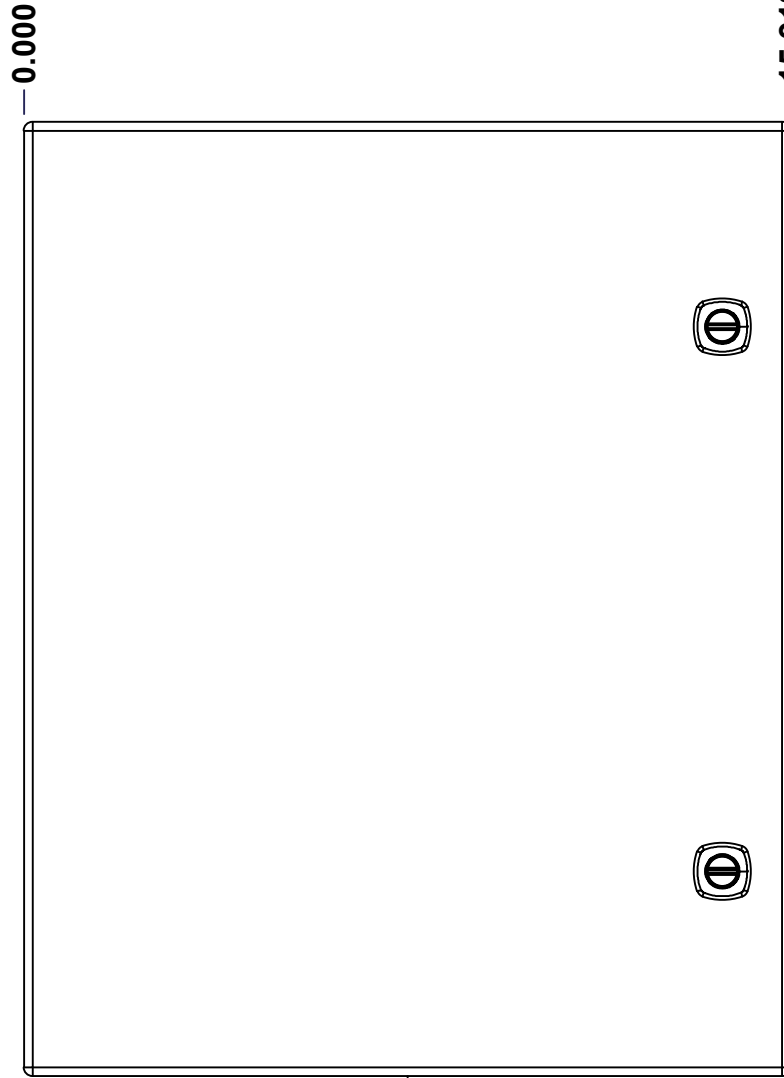


BOTTOM



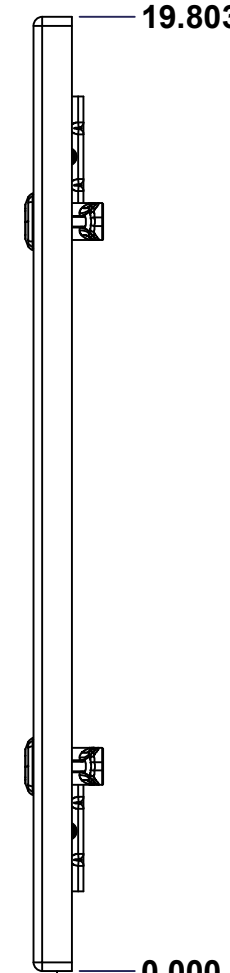
LEFT

0.000  
0.800



FRONT

0.000  
15.918

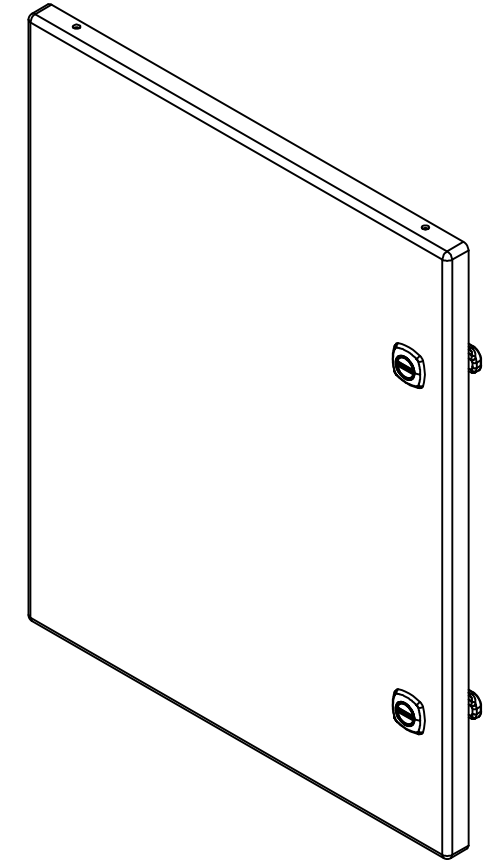


RIGHT

19.803

0.000

| No. | Revisions | Date | By/Par |
|-----|-----------|------|--------|
|     |           |      |        |
|     |           |      |        |
|     |           |      |        |
|     |           |      |        |
|     |           |      |        |



Isometric View



Tél: (450) 979-4373  
Fax: (450) 979-4626  
[www.exmweb.com](http://www.exmweb.com)

Flatness  
Aplatissement  
Max 3.0mm  
Projection

|  |                |
|--|----------------|
| Customer Client                        | Date           |
| Drawn By<br>Dessiné Par BoxCad: BoxCad | Date 27-Aug-14 |

Material Matière Aluminum 5052-H32 (2.3mm)

|                           |                    |
|---------------------------|--------------------|
| Color Couleur Asa-61 Grey | Finish Fini Smooth |
|---------------------------|--------------------|

|  |             |
|--|-------------|
| Description<br>5412EAL 20" x 16" Cover | Detail Rev. |
|--|-------------|

|  |                  |                      |
|--|------------------|----------------------|
| Part Number<br>Numéro Pièce<br><b>5412EAL201606C</b> | Rev.<br><b>0</b> | <b>7</b><br><b>9</b> |
|--|------------------|----------------------|

SEE BILL OF MATERIAL ON LAST PAGE

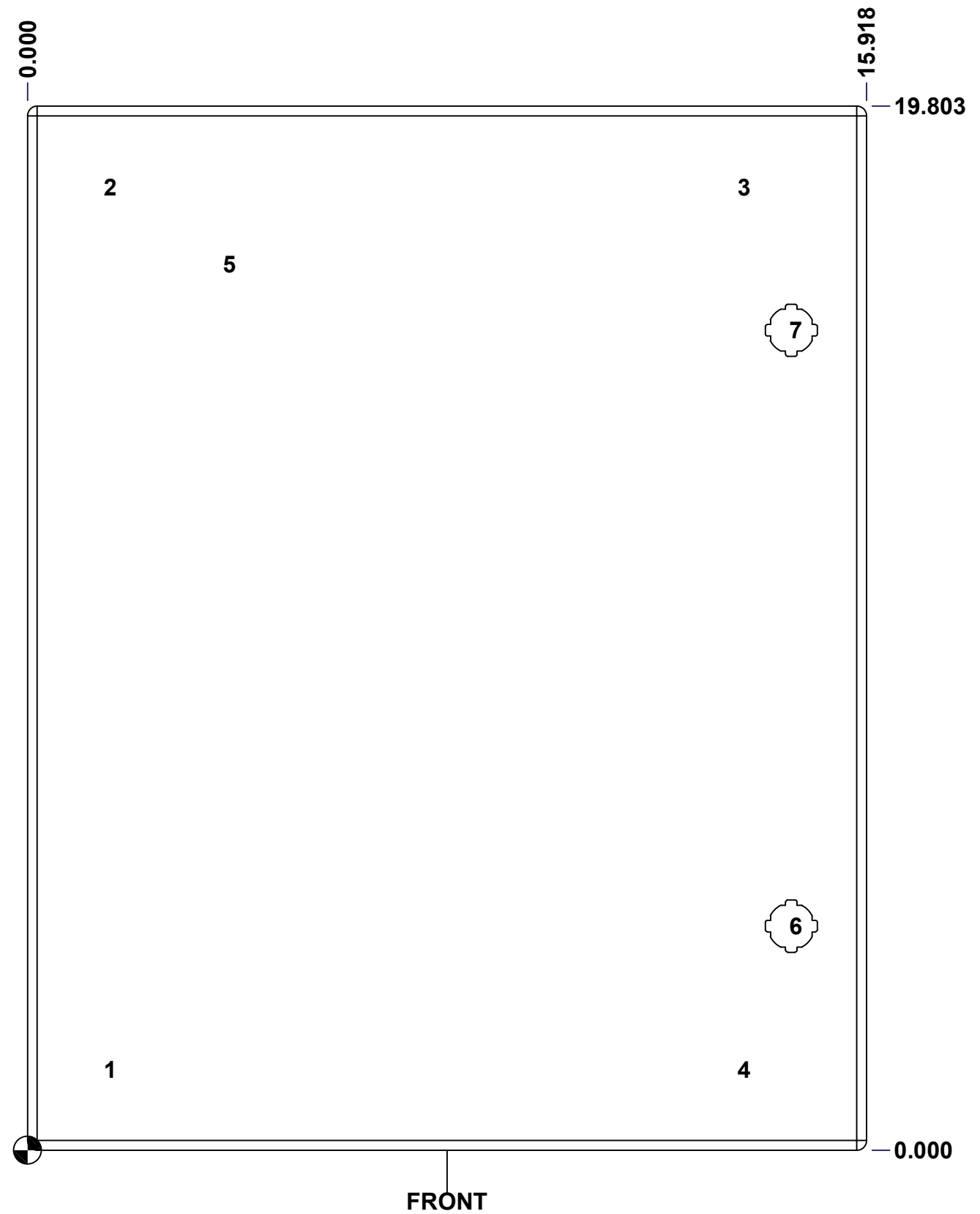
This drawing is confidential and must not be reproduced or used without the consent of EXM

Ce dessin est confidentiel et ne doit pas être reproduit ou utilisé sans le consentement de EXM

**STANDARD FEATURES ARE NOT LISTED IN THIS HOLE TABLE**

**HOLE TABLE - FRONT VIEW (CUSTOM FEATURE ONLY)**

| CUT-OUT | XDIM   | YDIM   | DESCRIPTION             |
|---------|--------|--------|-------------------------|
| 1       | 1.486  | 1.535  | STUD M6 x 18mm (Inside) |
| 2       | 1.486  | 18.268 | STUD M6 x 18mm (Inside) |
| 3       | 13.517 | 18.268 | STUD M6 x 18mm (Inside) |
| 4       | 13.517 | 1.535  | STUD M6 x 18mm (Inside) |
| -----   |        |        |                         |
| 5       | 3.750  | 16.803 | LABEL_EXM (Inside)      |
| 6       | 14.494 | 4.250  | LOCK 880 SCQ4-SL @ 0.0° |
| 7       | 14.494 | 15.553 | LOCK 880 SCQ4-SL @ 0.0° |



FRONT

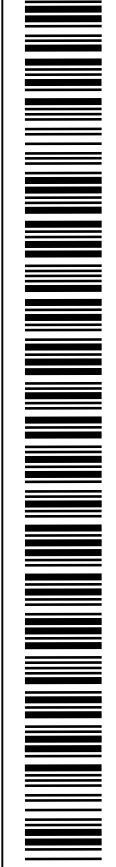
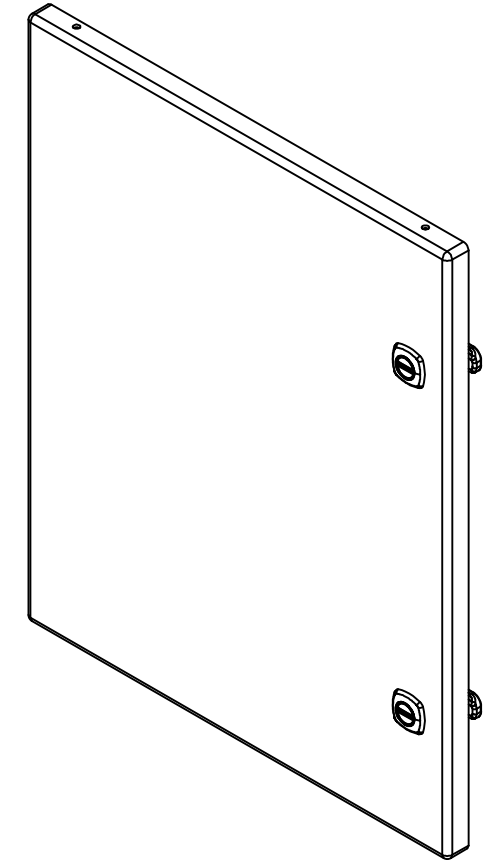
|  |                             |          |        |
|--|-----------------------------|----------|--------|
|  | Description                 | Status   |        |
|  | 5412EAL 20" x 16" Cover     | (NULL)   |        |
|  | Part Number<br>Numéro Pièce | Rev.     |        |
|  | <b>5412EAL201606C</b>       | <b>0</b> | 8<br>9 |



This drawing is confidential and must not be reproduced or used without the consent of EXM

Ce dessin est confidentiel et ne doit pas être reproduit ou utilisé sans le consentement de EXM

| No. | Revisions | Date | By/Par |
|-----|-----------|------|--------|
|     |           |      |        |
|     |           |      |        |
|     |           |      |        |
|     |           |      |        |
|     |           |      |        |



Isometric View



Tél: (450) 979-4373  
 Fax: (450) 979-4626  
[www.exmweb.com](http://www.exmweb.com)

Flatness  
Aplatissement  
Max 3.0mm

Projection

|   |                 |
|---|-----------------|
| Customer Client                               | Date            |
| Drawn By / Dessiné Par: BoxCad: BoxCad        | Date: 27-Aug-14 |
| Material / Matière: Aluminum 5052-H32 (2.3mm) |                 |

|                              |                       |
|------------------------------|-----------------------|
| Color / Couleur: Asa-61 Grey | Finish / Fini: Smooth |
|------------------------------|-----------------------|

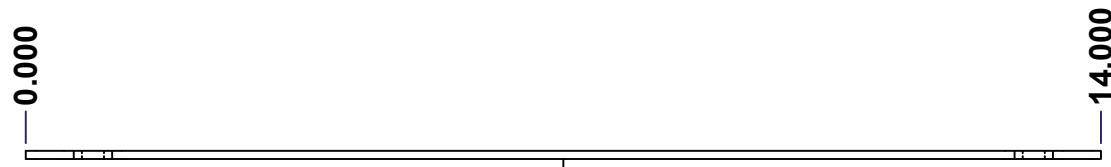
|                                      |             |
|--------------------------------------|-------------|
| Description: 5412EAL 20" x 16" Cover | Detail Rev. |
|--------------------------------------|-------------|

|   |        |   |
|---|--------|---|
| Part Number / Numéro Pièce: <b>5412EAL201606C</b> | Rev. 0 | 9 |
|---|--------|---|

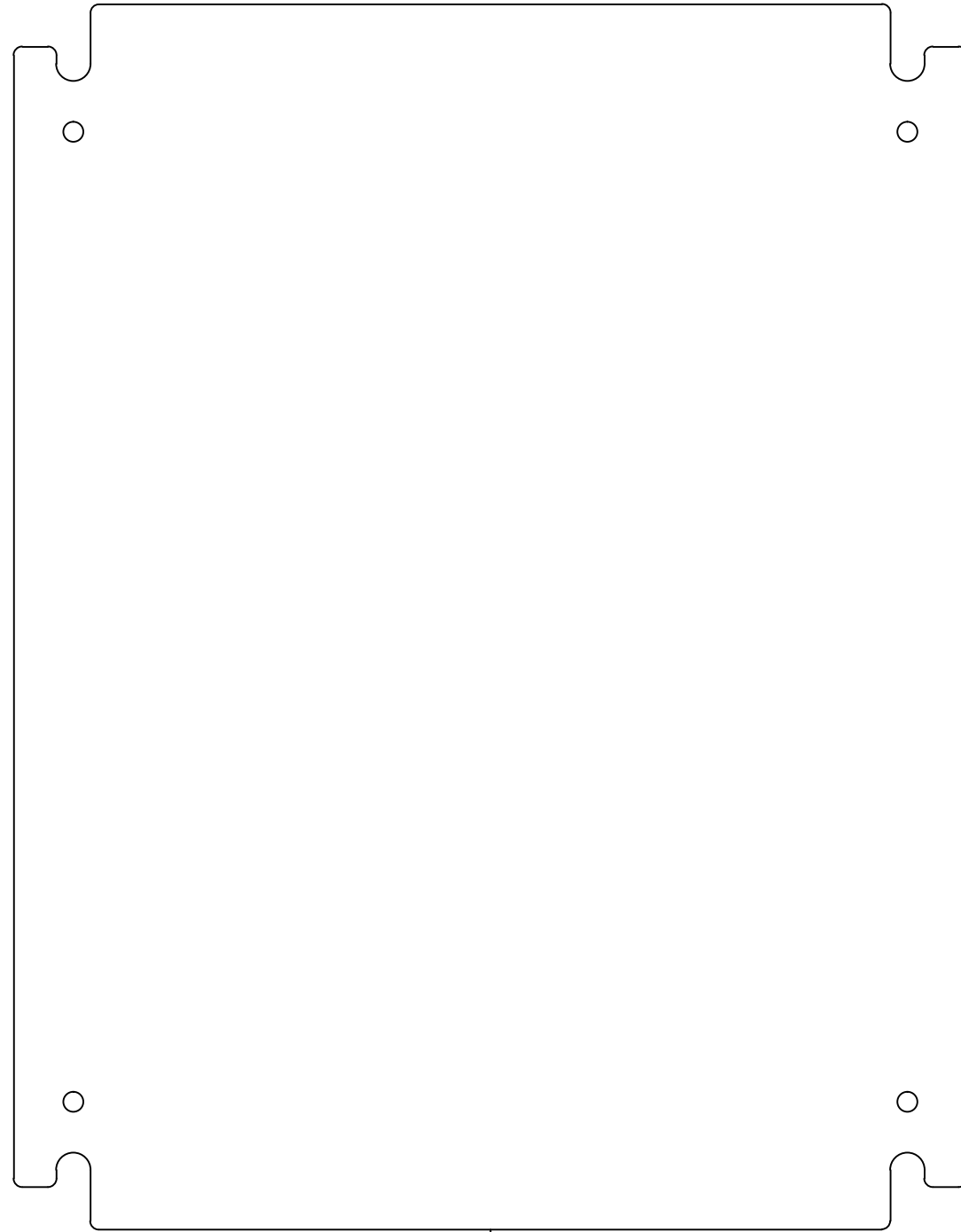
| QTY        | Part Number      | Rev | Description                            |
|------------|------------------|-----|--|
| 2          | 880 SCQ4-SL      | 6   | 5412 ES 1/4 Turn Lock                  |
| 1          | STK-S-00100      | 0   | 3.5" x 2" Silver Milar Flexcon Sticker |
| 1          | STK-P-02400S     | 0   | Powder Paint (Asa-61 Grey / Smooth)    |
| 2          | STK-Q-46020-20   | 5   | 5412 ES Vertical Door Stiffener 20"    |
| 4          | STK-Q-16060      | 0   | Stud M6 x 18mm Aluminum                |
| 1          | 5412EAL201606G   | 0   | 5412EAL 20" x 16" Cover Gasket Part    |
| 1          | 5412EAL201606C-P | 0   | 5412EAL 20" x 16" Cover Part           |
| 2          | STK-A-33016      | 0   | 5412 ESS Bended Hinge (Body Part)      |
| 4          | STK-Q-07220      | 1   | M6 Nylon Insert Lock Nut               |
| Parts List |                  |     |  |

This drawing is confidential and must not be reproduced or used without the consent of EXM

Ce dessin est confidentiel et ne doit pas être reproduit ou utilisé sans le consentement de EXM



TOP



FRONT

18.000

0.000

RIGHT

| No. | Revisions | Date | By/Par |
|-----|-----------|------|--------|
|     |           |      |        |
|     |           |      |        |
|     |           |      |        |
|     |           |      |        |
|     |           |      |        |

**Isometric View**

|  |                    |  |
|--|--------------------|--|
| Tél: (450) 979-4373<br>Fax: (450) 979-4626<br>www.exmweb.com |                    | Flatness<br>Aplatissement<br>Max 3.0mm<br>Projection<br> |
| Customer Client  | Date               |  |
| Drawn By<br>Dessiné Par                                      | BoxCad             | Date 23-Jan-07   |
| Material<br>Matière  | See Part List      |  |
| Color<br>Couleur   | See Part List      | Finish<br>Fini See Part List                             |
| Description  |                    | Detail Rev.  |
| 881 SP - Inner Panel   |                    |  |
| Part Number<br>Numéro Pièce                                  | <b>881 SP2016G</b> | Rev. 1<br>0  |

| Qty | Part Number   | Rev | Description               | Material         | Color     | Finish     |
|-----|---------------|-----|---------------------------|------------------|-----------|------------|
| 1   | 881 SP2016G-P | 0   | 881 SP - Inner Panel Part | 12 Ga Galvanized | Unpainted | Galvanized |

Parts List

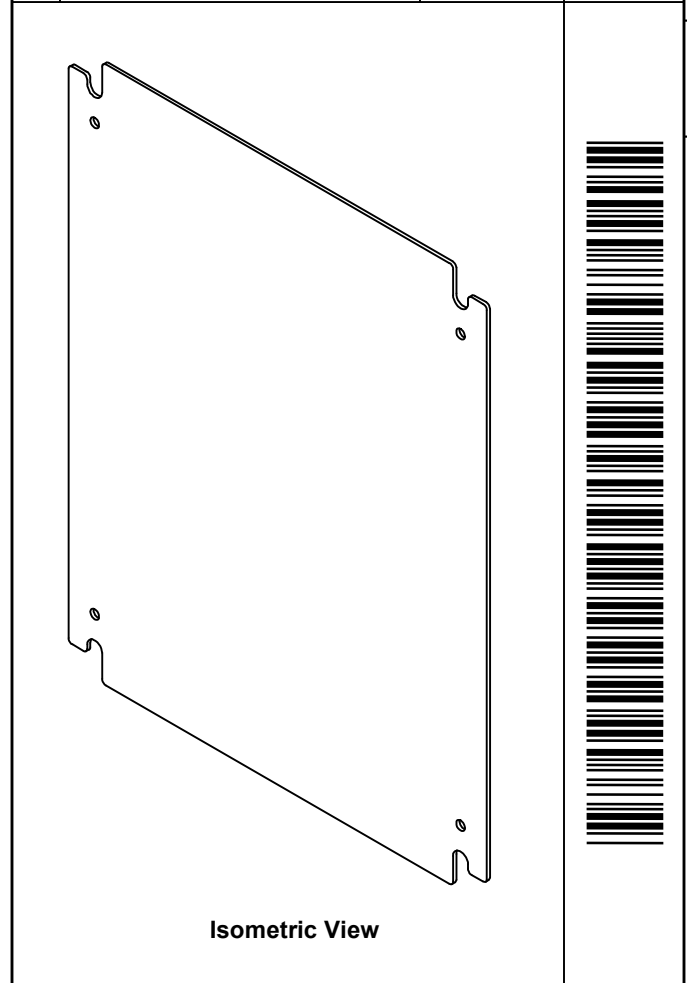
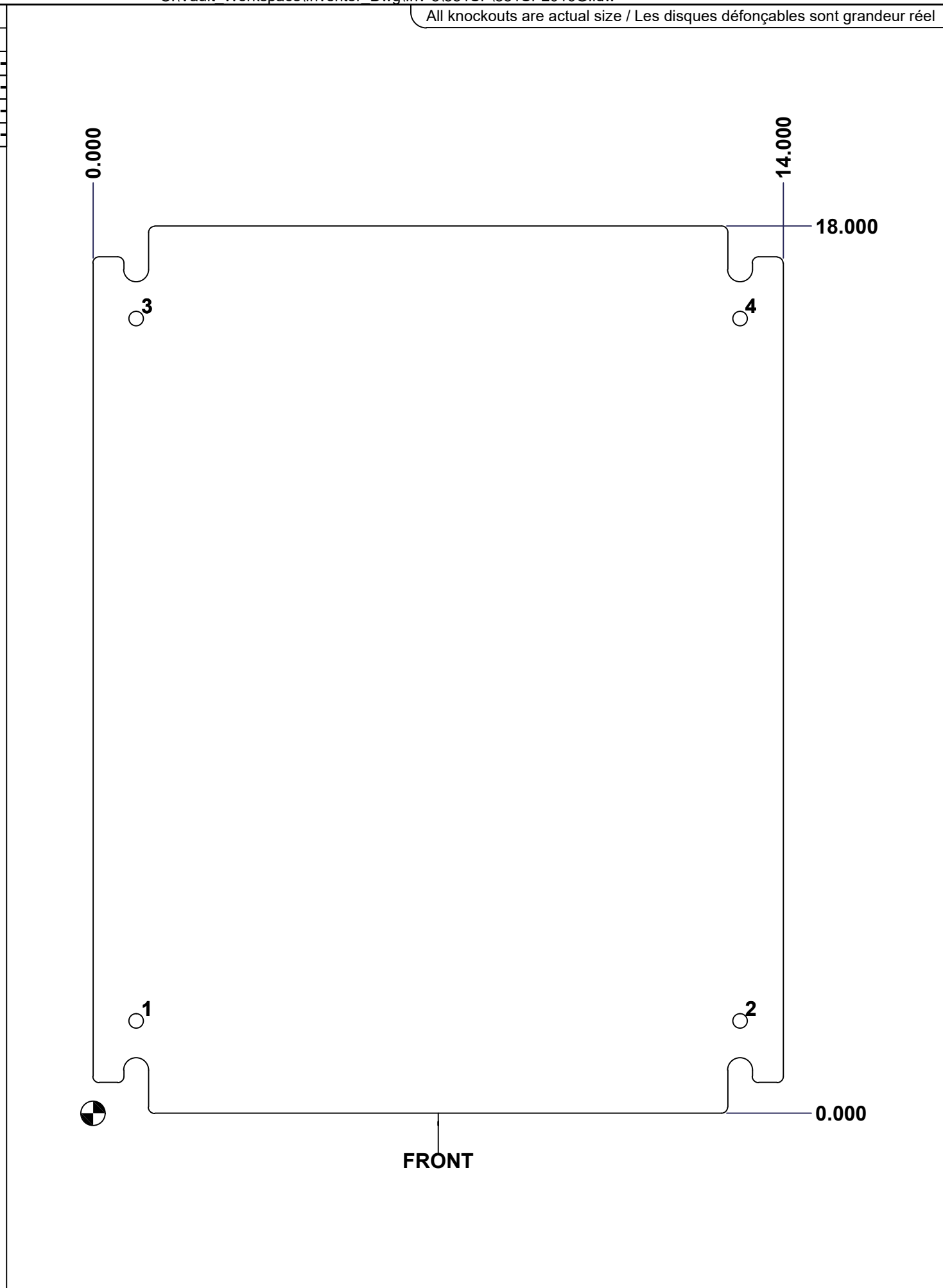
This drawing is confidential and must not be reproduced or used without the consent of EXM


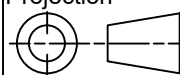
Ce dessin est confidentiel et ne doit pas être reproduit ou utilisé sans le consentement de EXM

| Table 1 |        |        | FRONT VIEW               |
|---------|--------|--------|--------------------------|
| CUT-OUT | XDIM   | YDIM   | DESCRIPTION              |
| 1       | 0.875  | 1.875  | GROUND HOLE (RND Ø0.290) |
| 2       | 13.125 | 1.875  | GROUND HOLE (RND Ø0.290) |
| 3       | 0.875  | 16.125 | GROUND HOLE (RND Ø0.290) |
| 4       | 13.125 | 16.125 | GROUND HOLE (RND Ø0.290) |

All knockouts are actual size / Les disques défonçables sont grandeur réel

| No. | Revisions | Date | By/Par |
|-----|-----------|------|--------|
|     |           |      |        |
|     |           |      |        |
|     |           |      |        |
|     |           |      |        |
|     |           |      |        |
|     |           |      |        |



|  |               |   |
|--|---------------|---|
|  Tél: (450) 979-4373<br>Fax: (450) 979-4626<br>www.exmweb.com |               | Flatness<br>Aplatissement<br>Max 3.0mm<br>Projection<br> |
| Customer<br>Client   | Date          |   |
| Drawn By<br>Dessiné Par  | BoxCad        | Date 23-Jan-07  |
| Material<br>Matière  | See Part List |   |
| Color<br>Couleur   | See Part List | Finish<br>Fini See Part List  |
| Description<br>881 SP - Inner Panel  |               | Detail Rev.   |
| Part Number<br>Numéro Pièce  | 881 SP2016G   | Rev. 2<br><b>0</b>  |