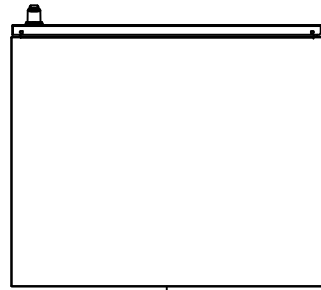


This drawing is confidential and must not be reproduced or used without the consent of EXM

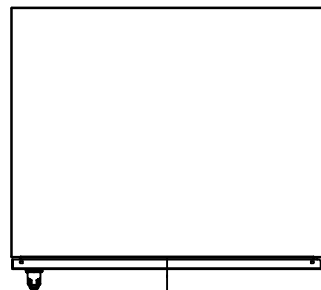
Ce dessin est confidentiel et ne doit pas être reproduit ou utilisé sans le consentement de EXM



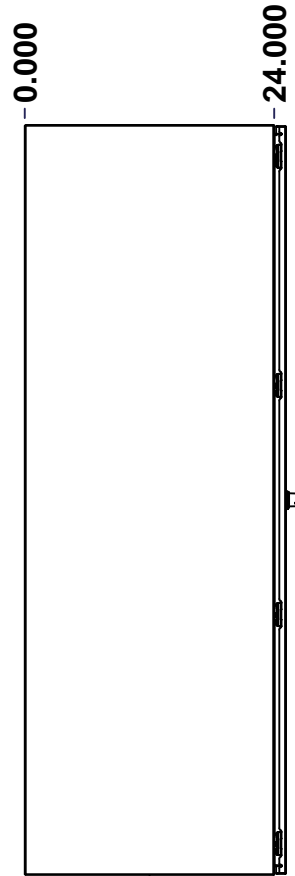
TOP



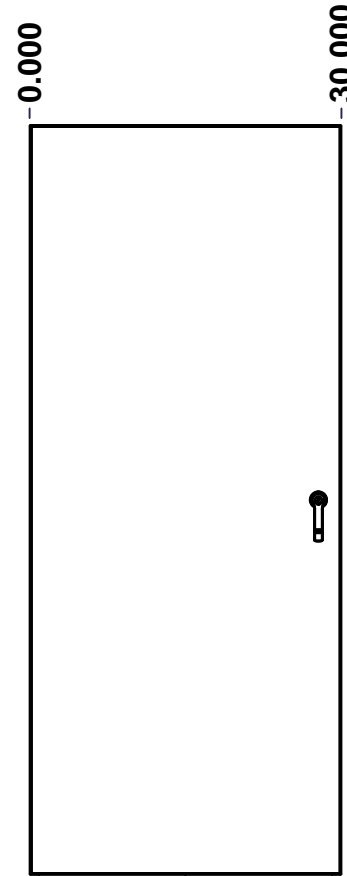
BACK



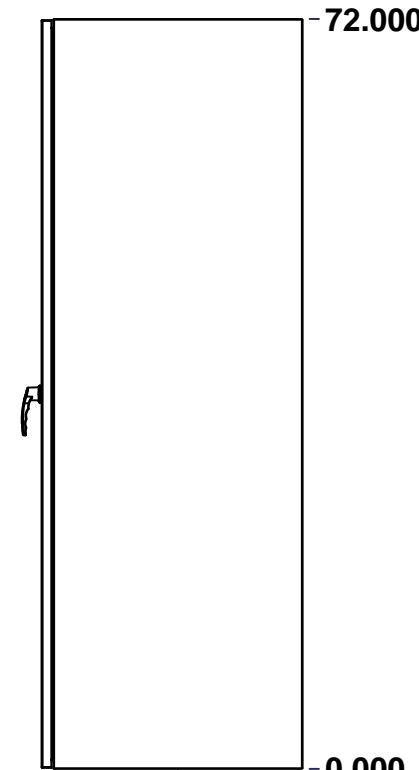
BOTTOM



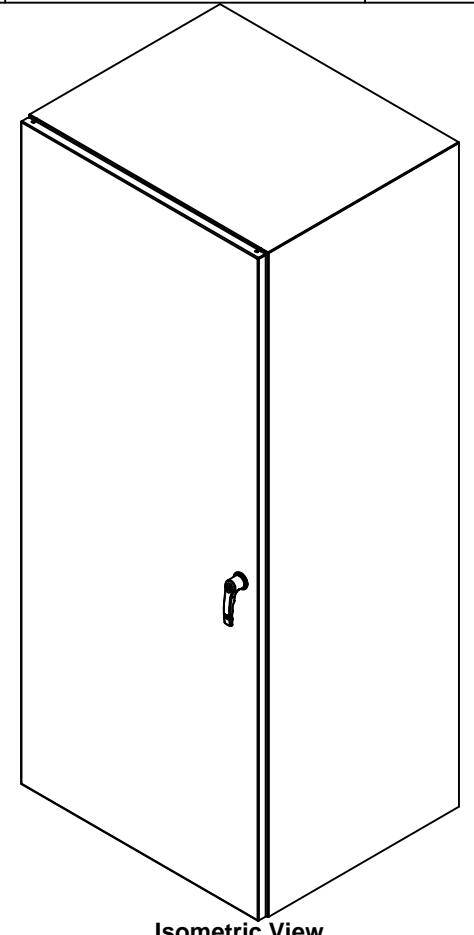
LEFT



FRONT




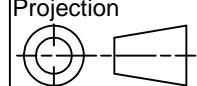
RIGHT



Isometric View



| No. | Revisions | Date | By/Par |
|-----|-----------|------|--------|
| | | | |
| | | | |
| | | | |
| | | | |
| | | | |

| | | |
|--|---------------------------|---|
|  Tél: (450) 979-4373 Fax: (450) 979-4626 www.exmweb.com | | Flatness Aplatissement Max 3.0mm Projection  |
| Customer Client | Date | |
| Drawn By Dessiné Par | BoxCad: Annie | Date 25/03/2015 |
| Material Matière | Aluminum 5052-H32 (1.7mm) | |
| Color Couleur | Asa-61 Grey | Finish Fini Smooth |
| Description 5412EALBU 72" x 30" x 24" Assembly | | Detail Rev. |
| Part Number Numéro Pièce | Rev. 0 | 1 2 |

SEE BILL OF MATERIAL ON LAST PAGE

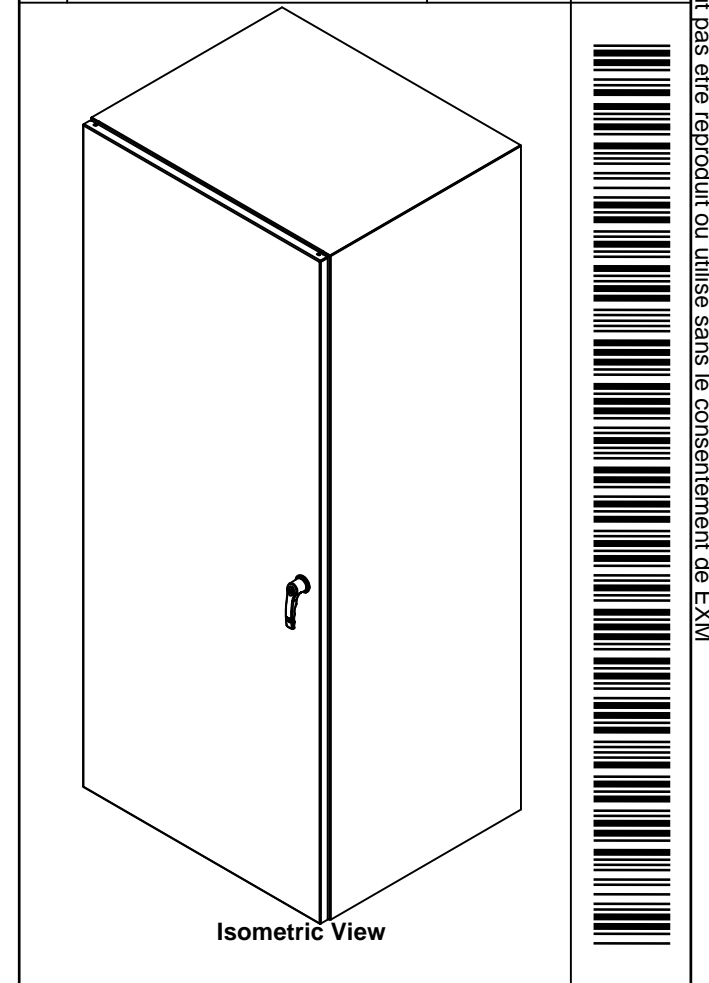
5412EALBU723024

This drawing is confidential and must not be reproduced or used without the consent of EXM

Ce dessin est confidentiel et ne doit pas être reproduit ou utilisé sans le consentement de EXM

| NOTE | |
|------|--|
| ITEM | DESCRIPTION |
| 1 | NEMA 4X Enclosure |
| 2 | C/W Standard ground studs on box and cover |
| 3 | C/W Standard door stiffener |
| 4 | C/W Standard inner panel (Sold seperately) |
| 5 | C/W Standard inner panel mounting studs |

| No. | Revisions | Date | By/Par |
|-----|-----------|------|--------|
| | | | |
| | | | |
| | | | |
| | | | |
| | | | |
| | | | |

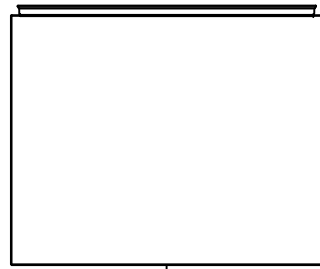


| | | | | | |
|---|--|--|------------------|--|-------------|
| | | Tél: (450) 979-4373 Fax: (450) 979-4626 www.exmweb.com | | Flatness Aplatissement Max 3.0mm Projection | |
| Customer Client | | | Date | | |
| Drawn By / Dessiné Par: BoxCad: Annie | | | Date: 25/03/2015 | | |
| Material / Matière: Aluminum 5052-H32 (1.7mm) | | | | | |
| Color / Couleur: Asa-61 Grey | | Finish / Fini: Smooth | | | |
| Description: 5412EALBU 72" x 30" x 24" Assembly | | | | | Detail Rev. |
| Part Number / Numéro Pièce: 5412EALBU723024 | | | | Rev. / Rév.: 0 | 2 |

| Qty | Part Number | Rev | Description |
|------------|------------------|-----|---|
| 1 | 880 PP | 0 | Self Adhesive Print Pocket |
| 8 | STK-Q-03001 | 1 | M5 x 8mm Stainless Steel Phillips Flat Head Screw |
| 1 | 5412EALBU723024C | 0 | 5412EALBU 72" x 30" Cover |
| 4 | STK-Q-07610 | 7 | M8 Plastic Spacer 22.2mm |
| 1 | STK-K-01800 | 0 | 5412 ES Accessory Kit |
| 6 | STK-Q-07310 | 2 | Flange Lock Nut M8 |
| 1 | 881 SP7230 | 0 | 881 SP - Inner Panel |
| 2 | STK-Q-07615 | 0 | Inner Panel Support Bracket |
| 1 | 5412EALBU723024B | 0 | 5412EALBU 72" x 30" x 24" Body |
| Parts List | | | |

This drawing is confidential and must not be reproduced or used without the consent of EXM

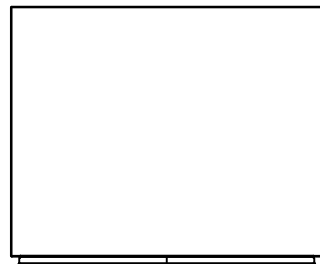
Ce dessin est confidentiel et ne doit pas être reproduit ou utilisé sans le consentement de EXM



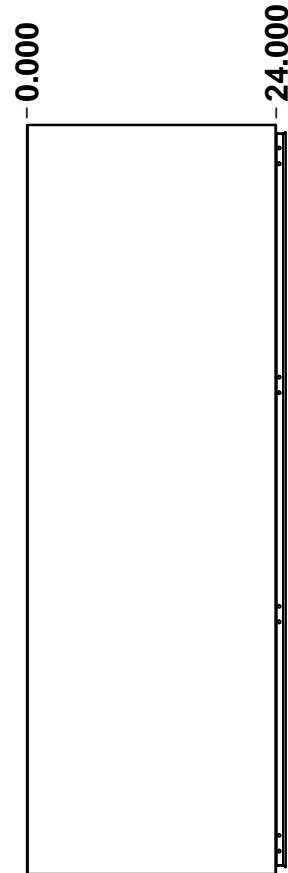
TOP



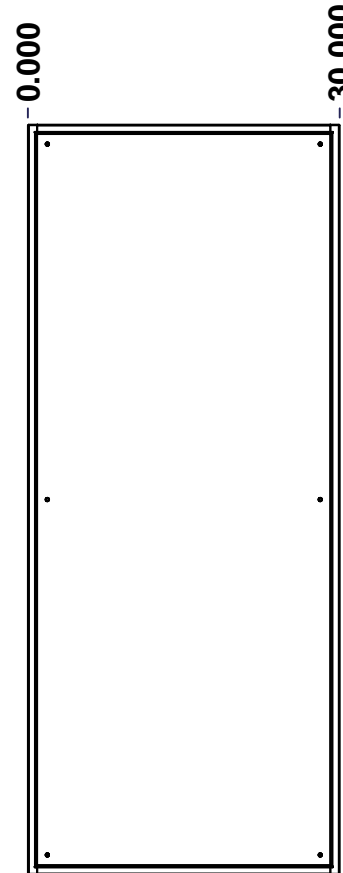
BACK



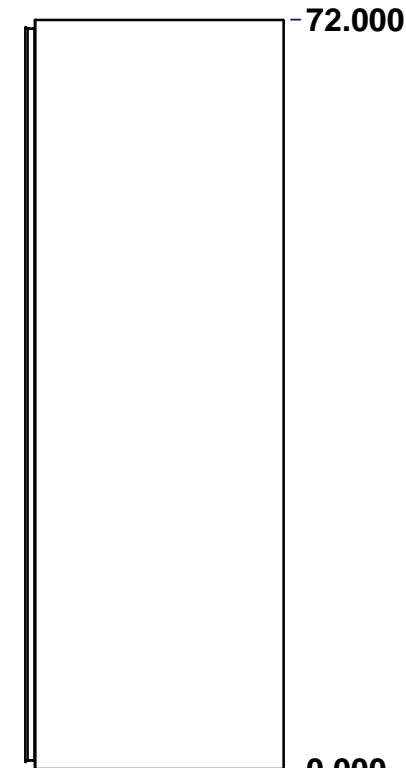
BOTTOM



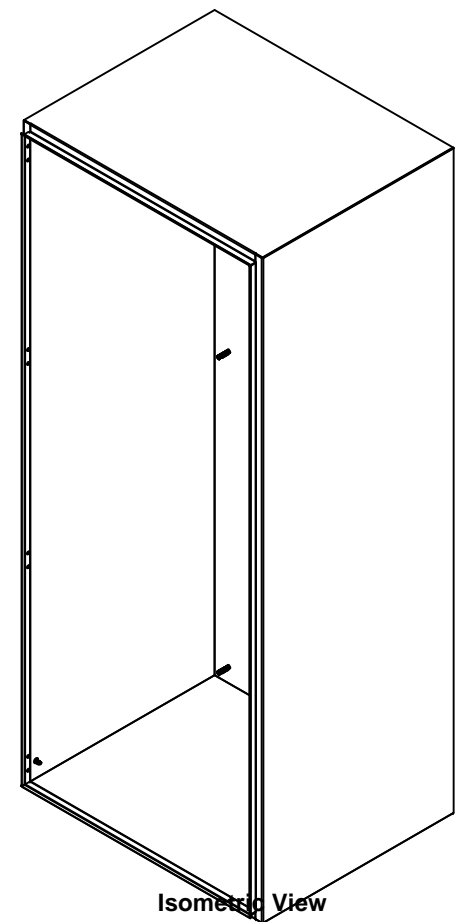
LEFT



FRONT




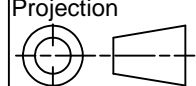
RIGHT



Isometric View



| No. | Revisions | Date | By/Par |
|-----|-----------|------|--------|
| | | | |
| | | | |
| | | | |
| | | | |
| | | | |

| | | |
|--|---------------------------|---|
|  Tél: (450) 979-4373 Fax: (450) 979-4626 www.exmweb.com | | Flatness Aplatissement Max 3.0mm Projection  |
| Customer Client | Date | |
| Drawn By Dessiné Par | BoxCad: Annie | Date 25/03/2015 |
| Material Matière | Aluminum 5052-H32 (1.7mm) | |
| Color Couleur | Asa-61 Grey | Finish Fini Smooth |
| Description 5412EALBU 72" x 30" x 24" Body | | Detail Rev. |
| Part Number Numéro Pièce | Rev. 0 | 1 / 7 |

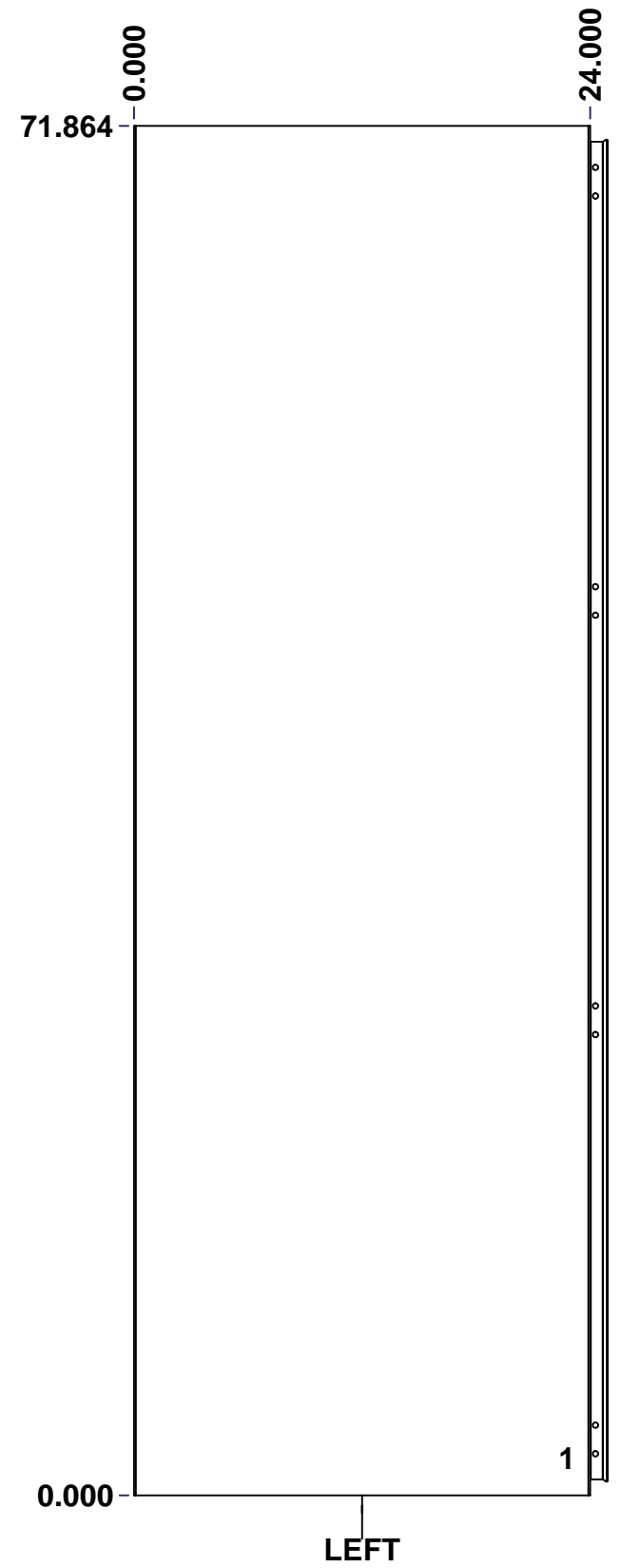
SEE BILL OF MATERIAL ON LAST PAGE

5412EALBU723024B

This drawing is confidential and must not be reproduced or used without the consent of EXM

Ce dessin est confidentiel et ne doit pas être reproduit ou utilisé sans le consentement de EXM

| STANDARD FEATURES ARE NOT LISTED IN THIS HOLE TABLE | | | |
|--|--------|-------|-----------------------------|
| HOLE TABLE - LEFT VIEW (CUSTOM FEATURE ONLY) | | | |
| CUT-OUT | XDIM | YDIM | DESCRIPTION |
| 1 | 22.500 | 1.932 | GND STUD M6 x 16mm (Inside) |



| | | | |
|--|--------------------------------|----------|-------|
| | Description | Status | |
| | 5412EALBU 72" x 30" x 24" Body | | |
| | Part Number Numéro Pièce | Rev. | 5 / 7 |
| | 5412EALBU723024B | 0 | |

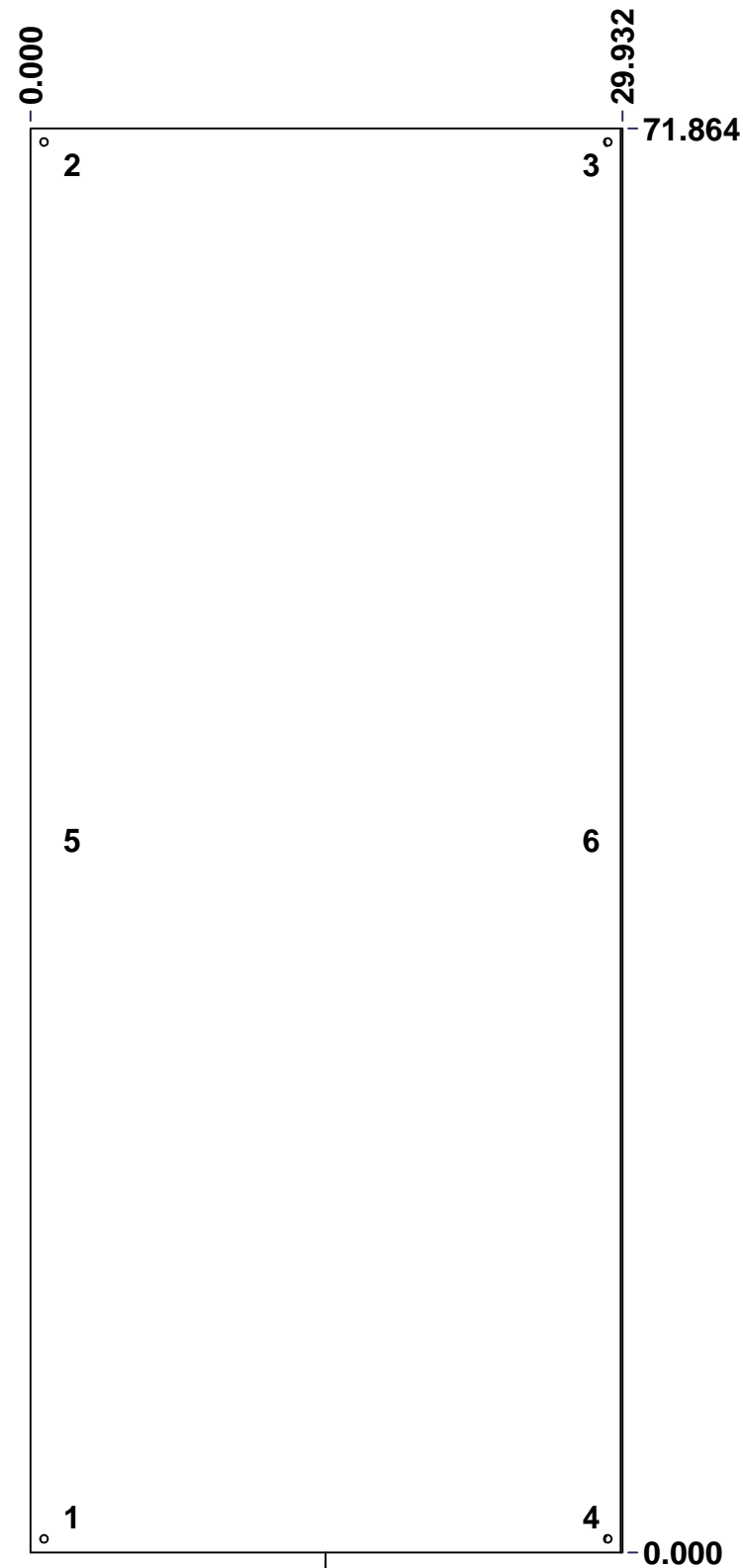
This drawing is confidential and must not be reproduced or used without the consent of EXM

Ce dessin est confidentiel et ne doit pas être reproduit ou utilisé sans le consentement de EXM

STANDARD FEATURES ARE NOT LISTED IN THIS HOLE TABLE

HOLE TABLE - BACK VIEW (CUSTOM FEATURE ONLY)

| CUT-OUT | XDIM | YDIM | DESCRIPTION |
|---------|--------|--------|----------------------------|
| 1 | 1.807 | 1.807 | IP STUD M8 x 35mm (Inside) |
| 2 | 1.807 | 70.057 | IP STUD M8 x 35mm (Inside) |
| 3 | 28.057 | 70.057 | IP STUD M8 x 35mm (Inside) |
| 4 | 28.057 | 1.807 | IP STUD M8 x 35mm (Inside) |
| 5 | 1.807 | 35.932 | IP STUD M8 x 35mm (Inside) |
| 6 | 28.057 | 35.932 | IP STUD M8 x 35mm (Inside) |

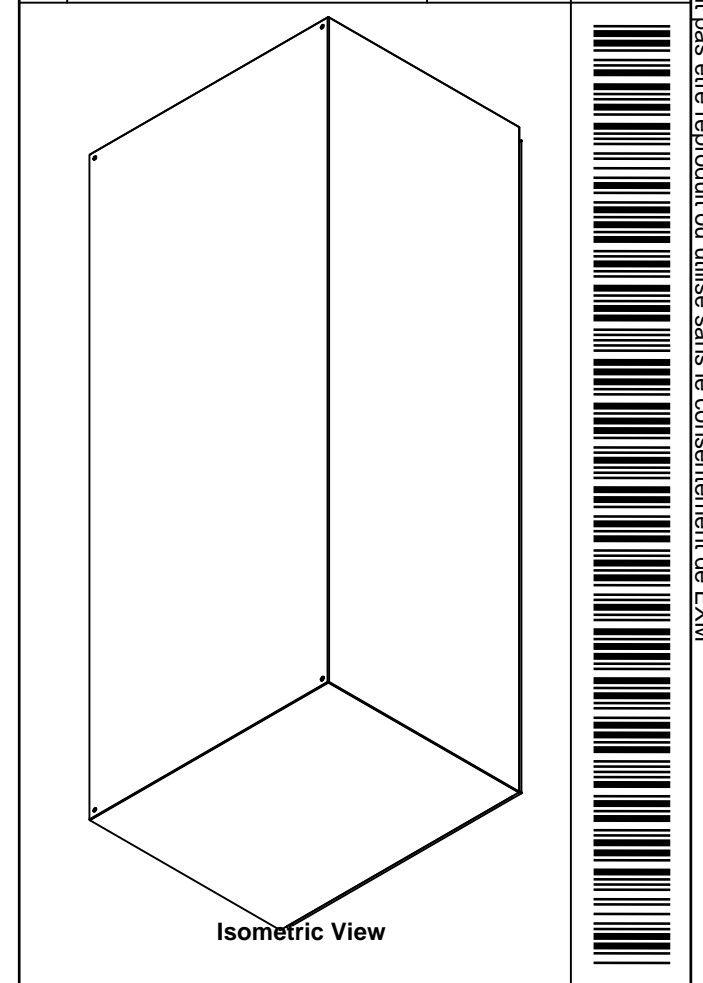


| | | | | |
|-----------------------------|--------------------------------|----------|--------|---|
| | Description | | Status | |
| | 5412EALBU 72" x 30" x 24" Body | | | |
| Part Number Numéro Pièce | | Rev. | | |
| 5412EALBU723024B | | 0 | 6 | 7 |

This drawing is confidential and must not be reproduced or used without the consent of EXM

Ce dessin est confidentiel et ne doit pas être reproduit ou utilisé sans le consentement de EXM

| No. | Revisions | Date | By/Par |
|-----|-----------|------|--------|
| | | | |
| | | | |
| | | | |
| | | | |
| | | | |

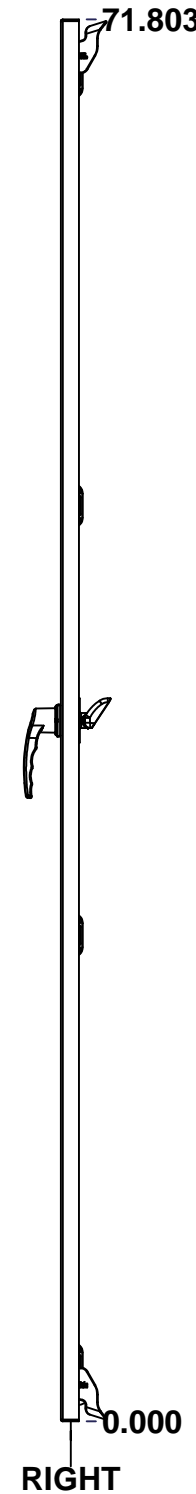
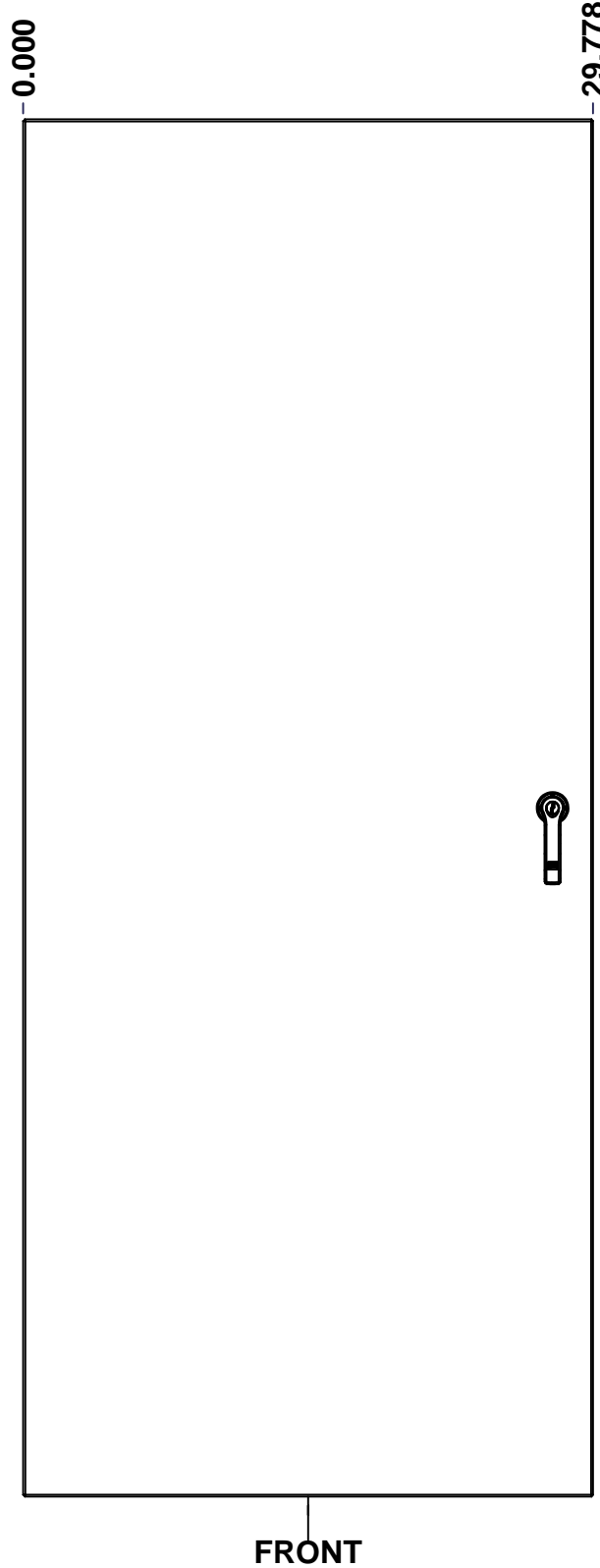
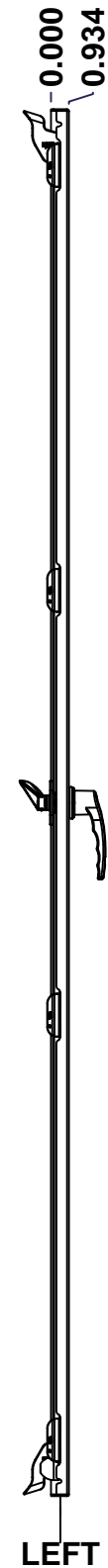
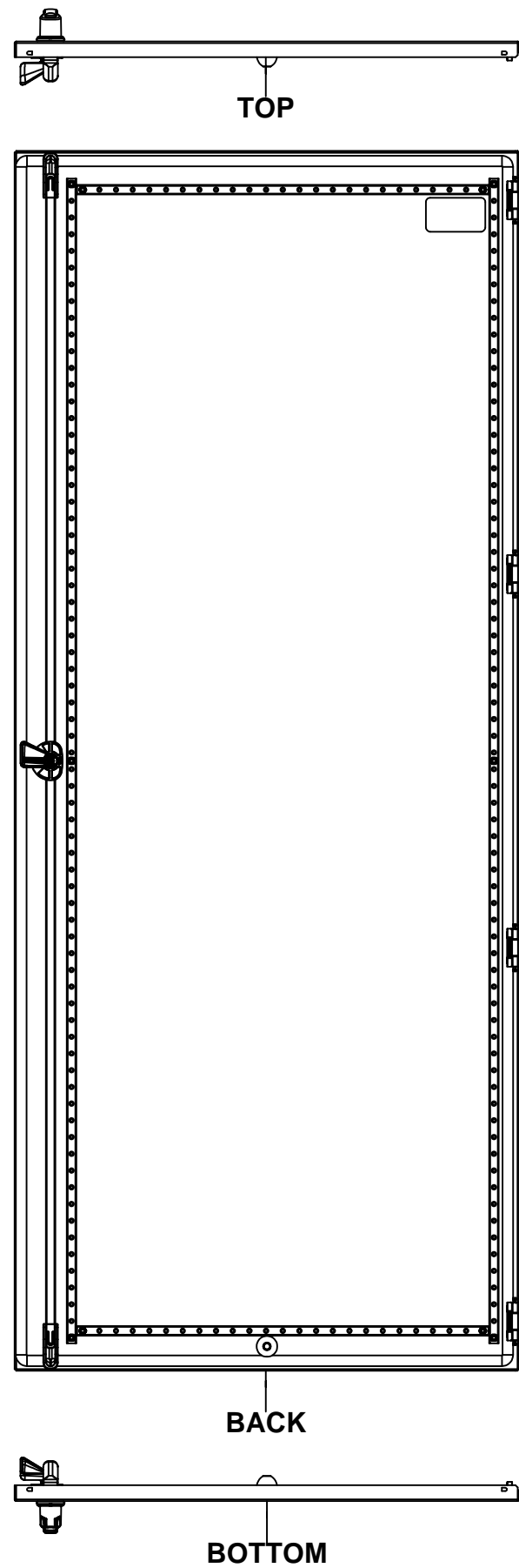


| | | |
|--|---------------------------|---------------------------|
| Tél: (450) 979-4373 Fax: (450) 979-4626 www.exmweb.com | | Flatness Aplatissement |
| | | Max 3.0mm |
| Projection | | |
| Customer Client | | Date |
| Drawn By Dessiné Par | BoxCad: Annie | Date 25/03/2015 |
| Material Matière | Aluminum 5052-H32 (1.7mm) | |
| Color Couleur | Asa-61 Grey | Finish Fini Smooth |
| Description | | Detail Rev. |
| 5412EALBU 72" x 30" x 24" Body | | |
| Part Number Numéro Pièce | | Rev. 7 |
| 5412EALBU723024B | | 0 / 7 |

| Qty | Part Number | Rev | Description |
|------------|---------------------|-----|-------------------------------------|
| 1 | STK-P-02400S | 0 | Powder Paint (Asa-61 Grey / Smooth) |
| 6 | STK-Q-16010 | 0 | Stud M8 x 35mm Aluminum |
| 1 | STK-Q-16090 | 0 | M6 x 16mm Aluminum Ground Stud |
| 1 | 5412EALBU723024BT-P | 0 | 5412EALBU 72" x 30" x 24" Body Part |
| 1 | 5412EALBU723024T-P | 0 | 5412EALBU 72" x 30" x 24" Body Part |
| 1 | 5412EALBU723024RS-P | 0 | 5412EALBU 72" x 30" x 24" Body Part |
| 1 | 5412EALBU723024B-P | 0 | 5412EALBU 72" x 30" x 24" Body Part |
| Parts List | | | |

This drawing is confidential and must not be reproduced or used without the consent of EXM

Ce dessin est confidentiel et ne doit pas être reproduit ou utilisé sans le consentement de EXM



| No. | Revisions | Date | By/Par |
|-----|-----------|------|--------|
| | | | |
| | | | |
| | | | |
| | | | |
| | | | |

Isometric View

| | | | |
|---|--|---------------------------|-------------------------|
| <p>Tél: (450) 979-4373 Fax: (450) 979-4626 www.exmweb.com</p> | | Flatness Aplatissement | |
| | | Max 3.0mm | |
| Customer Client | | Projection | |
| Date | | | |
| Drawn By Dessiné Par | | Date | |
| BoxCad: Annie | | 25/03/2015 | |
| Material Matière | | Aluminum 5052-H32 (1.7mm) | |
| Color Couleur | | Asa-61 Grey | Finish Fin Smooth |
| Description | | Detail Rev. | |
| 5412EALBU 72" x 30" Cover | | | |
| Part Number Numéro Pièce | | Rev. | 1 |
| SEE BILL OF MATERIAL ON LAST PAGE | | 0 | 3 |
| 5412EALBU723024C | | | |

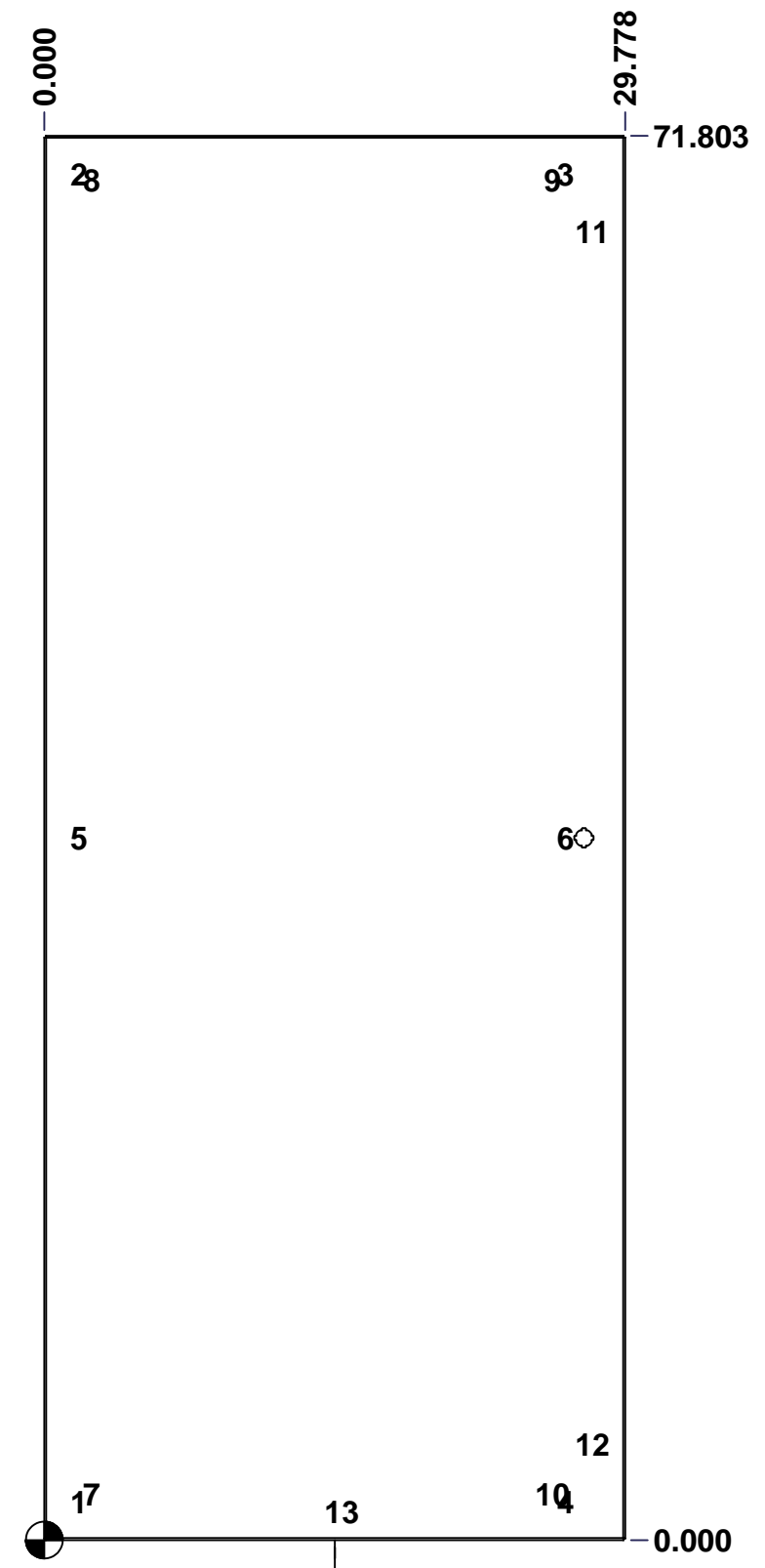
This drawing is confidential and must not be reproduced or used without the consent of EXM

Ce dessin est confidentiel et ne doit pas être reproduit ou utilisé sans le consentement de EXM

STANDARD FEATURES ARE NOT LISTED IN THIS HOLE TABLE

HOLE TABLE - FRONT VIEW (CUSTOM FEATURE ONLY)

| CUT-OUT | XDIM | YDIM | DESCRIPTION |
|---------|--------|--------|---------------------------|
| 1 | 1.486 | 1.945 | STUD M6 x 18mm (Inside) |
| 2 | 1.486 | 69.858 | STUD M6 x 18mm (Inside) |
| 3 | 26.423 | 69.858 | STUD M6 x 18mm (Inside) |
| 4 | 26.423 | 1.945 | STUD M6 x 18mm (Inside) |
| 5 | 1.486 | 35.902 | STUD M6 x 18mm (Inside) |
| 6 | 26.423 | 35.902 | STUD M6 x 18mm (Inside) |
| 7 | 2.143 | 2.350 | STUD M6 x 18mm (Inside) |
| 8 | 2.143 | 69.524 | STUD M6 x 18mm (Inside) |
| 9 | 25.766 | 69.524 | STUD M6 x 18mm (Inside) |
| 10 | 25.766 | 2.350 | STUD M6 x 18mm (Inside) |
| 11 | 27.803 | 66.896 | CLOSING BAR STUD (Inside) |
| 12 | 27.803 | 4.907 | CLOSING BAR STUD (Inside) |
| 13 | 14.959 | 1.435 | STUD M6 x 18mm (Inside) |



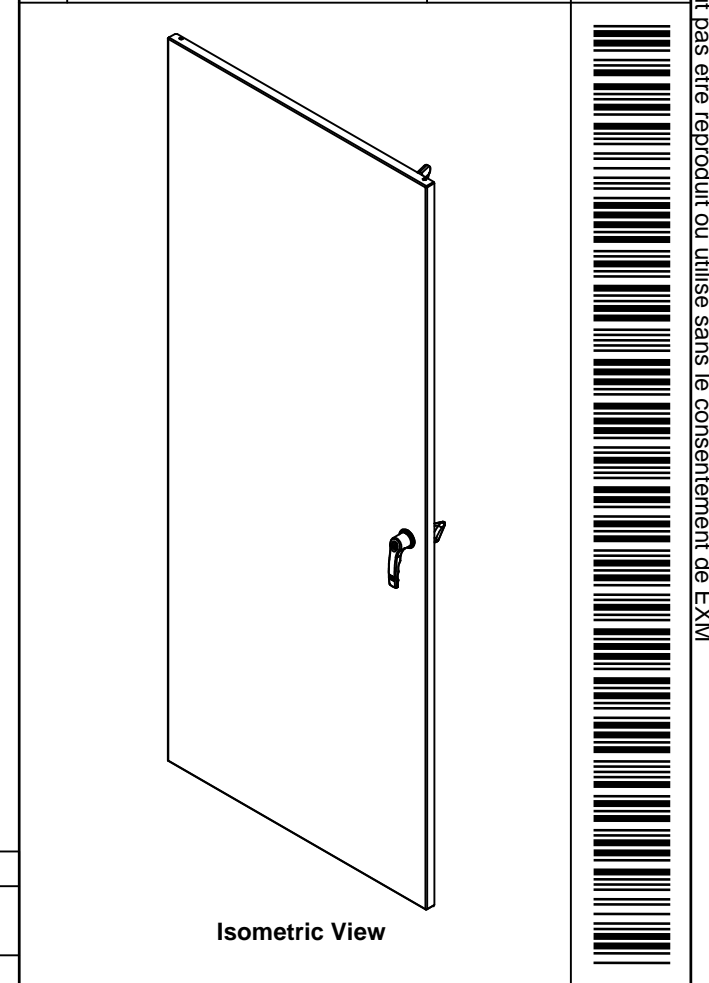
FRONT

| | | |
|--|-----------------------------|----------|
| | Description | Status |
| | 5412EALBU 72" x 30" Cover | (NULL) |
| | Part Number Numéro Pièce | Rev. |
| | 5412EALBU723024C | 0 |
| | | 2 |
| | | 3 |


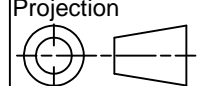
This drawing is confidential and must not be reproduced or used without the consent of EXM

Ce dessin est confidentiel et ne doit pas être reproduit ou utilisé sans le consentement de EXM

| No. | Revisions | Date | By/Par |
|-----|-----------|------|--------|
| | | | |
| | | | |
| | | | |
| | | | |
| | | | |



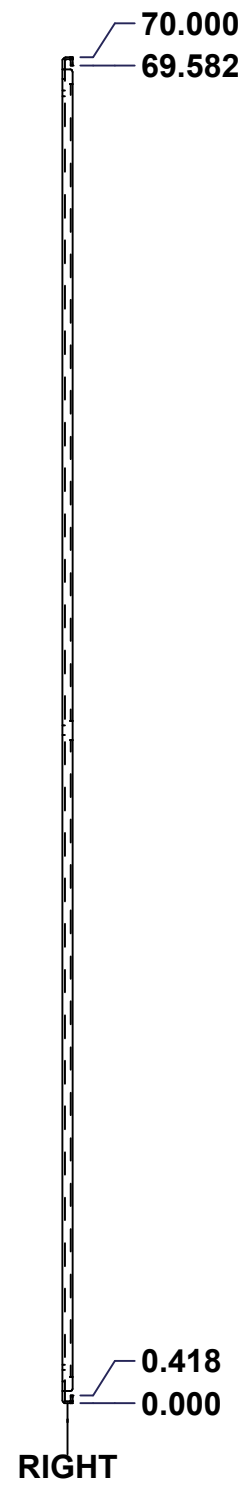
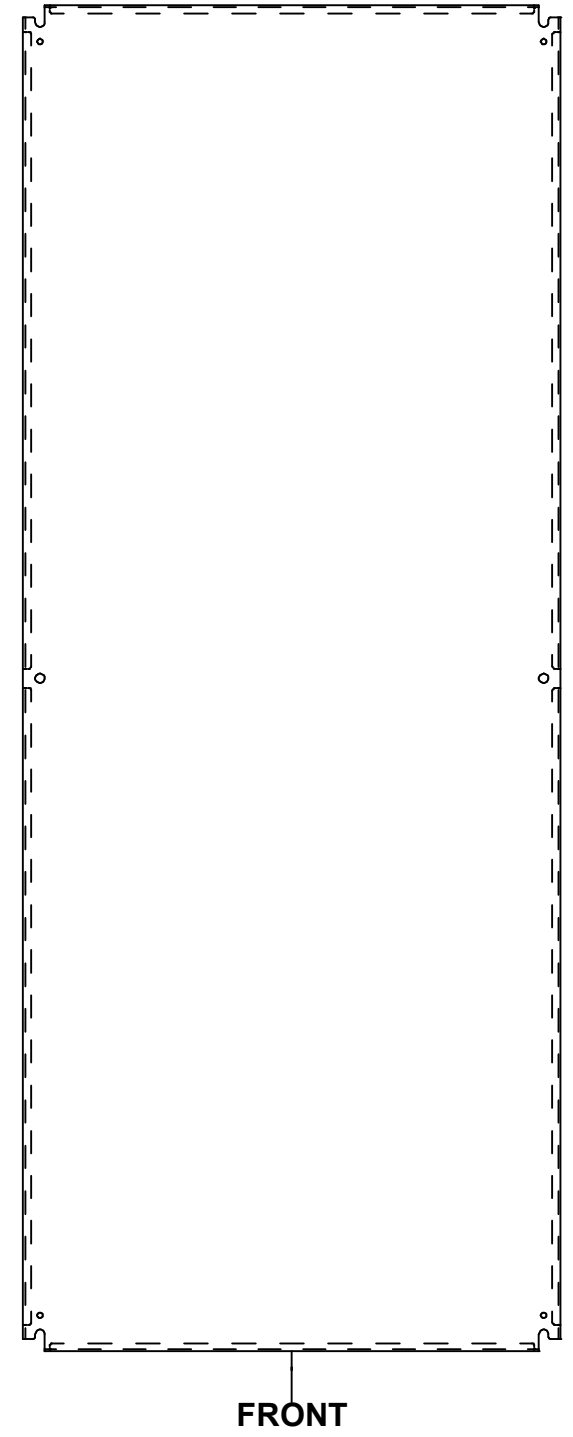
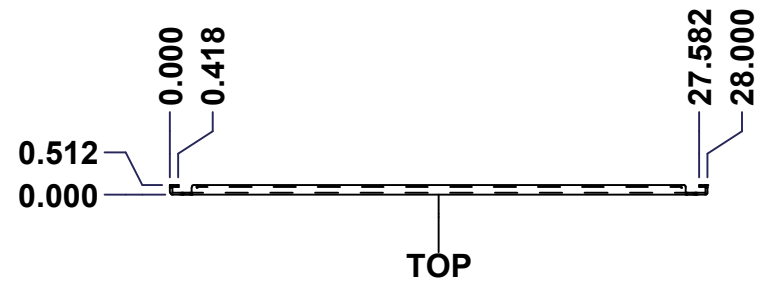
| 1 | STK-P-02400S | 0 | Powder Paint (Asa-61 Grey / Smooth) |
|-----|--------------------|-------|--|
| 1 | STK-S-00100 | 0.1.1 | 3.5" x 2" Silver Milar Flexcon Sticker |
| 1 | STK-Q-46515 | 3 | 5412 ES Door Support with Brass Insert |
| 2 | STK-Q-90042 | 0 | 5412 ES - Cabinet Closing Bar End (Small) |
| 2 | STK-Q-45655-72 | 0 | 5412 ES - Closing Bar |
| 1 | STK-K-50536 | 4 | Handle Gear Clockwise Assy (Grip 32mm) |
| 2 | STK-Q-16405 | 2 | Guide Stud - Small (No Paint Cap Required) |
| 11 | STK-Q-16060 | 0 | Stud M6 x 18mm Aluminum |
| 1 | 885 ESL2A | 0 | 5412 ES Key Lock L-Handle (3 Pts) |
| 1 | | | |
| 1 | | | |
| 4 | STK-Q-33106 | 0 | 5412 ESSBU Buttable Hinge (Cover Part) |
| 2 | STK-Q-46025-30-3 | 4 | 5412 ES Horizontal Door Stiffener 30" (3Pts) |
| 2 | STK-Q-46020-72 | 5 | 5412 ES Vertical Door Stiffener 72" |
| 1 | | | |
| 1 | | | |
| 1 | 5412EALBU723024G | 0 | 5412EALBU 72" x 30" Cover Gasket |
| 1 | 5412EALBU723024C-P | 0 | 5412EALBU 72" x 30" Cover Part |
| 10 | STK-Q-07220 | 1 | M6 Nylon Insert Lock Nut |
| Qty | Part Name | Rev | Description |

| | | |
|--|---------------------------|---|
|  Tél: (450) 979-4373 Fax: (450) 979-4626 www.exmweb.com | | Flatness Aplatissement Max 3.0mm Projection  |
| Customer Client | Date | |
| Drawn By Dessiné Par | BoxCad: Annie | Date 25/03/2015 |
| Material Matière | Aluminum 5052-H32 (1.7mm) | |
| Color Couleur | Asa-61 Grey | Finish Fini Smooth |
| Description | 5412EALBU 72" x 30" Cover | |
| Part Number Numéro Pièce | Rev. 0 | 3 |
| 5412EALBU723024C | | 3 |

Parts List

This drawing is confidential and must not be reproduced or used without the consent of EXM

Ce dessin est confidentiel et ne doit pas être reproduit ou utilisé sans le consentement de EXM



| No. | Revisions | Date | By/Par |
|-----|-----------|------|--------|
| | | | |
| | | | |
| | | | |
| | | | |
| | | | |

Isometric View

| | | |
|--|---------------|--|
| Tél: (450) 979-4373 Fax: (450) 979-4626 www.exmweb.com | | Flatness Aplatissement Max 3.0mm Projection |
| Customer Client | Date | |
| Drawn By Dessiné Par | BoxCad | Date 1/23/2007 |
| Material Matière | See Part List | |
| Color Couleur | See Part List | Finish Fini See Part List |
| Description | | Detail Rev. |
| 881 SP - Inner Panel | | |
| Part Number Numéro Pièce | | Rev. 1 |
| 881 SP7230 | | 0 2 |

| Qty | Part Number | Rev | Description | Material | Color | Finish |
|-----|--------------|-----|-------------------------------|------------------------|---------------|--------|
| 1 | STK-P-02401S | 0 | Powder Paint (White / Smooth) | Polyester-Epoxy Hybrid | White RAL9003 | Smooth |
| 1 | 881 SP7230-P | 0 | 881 SP - Inner Panel Part | 12 Ga H.R.P. & O. | White | Smooth |

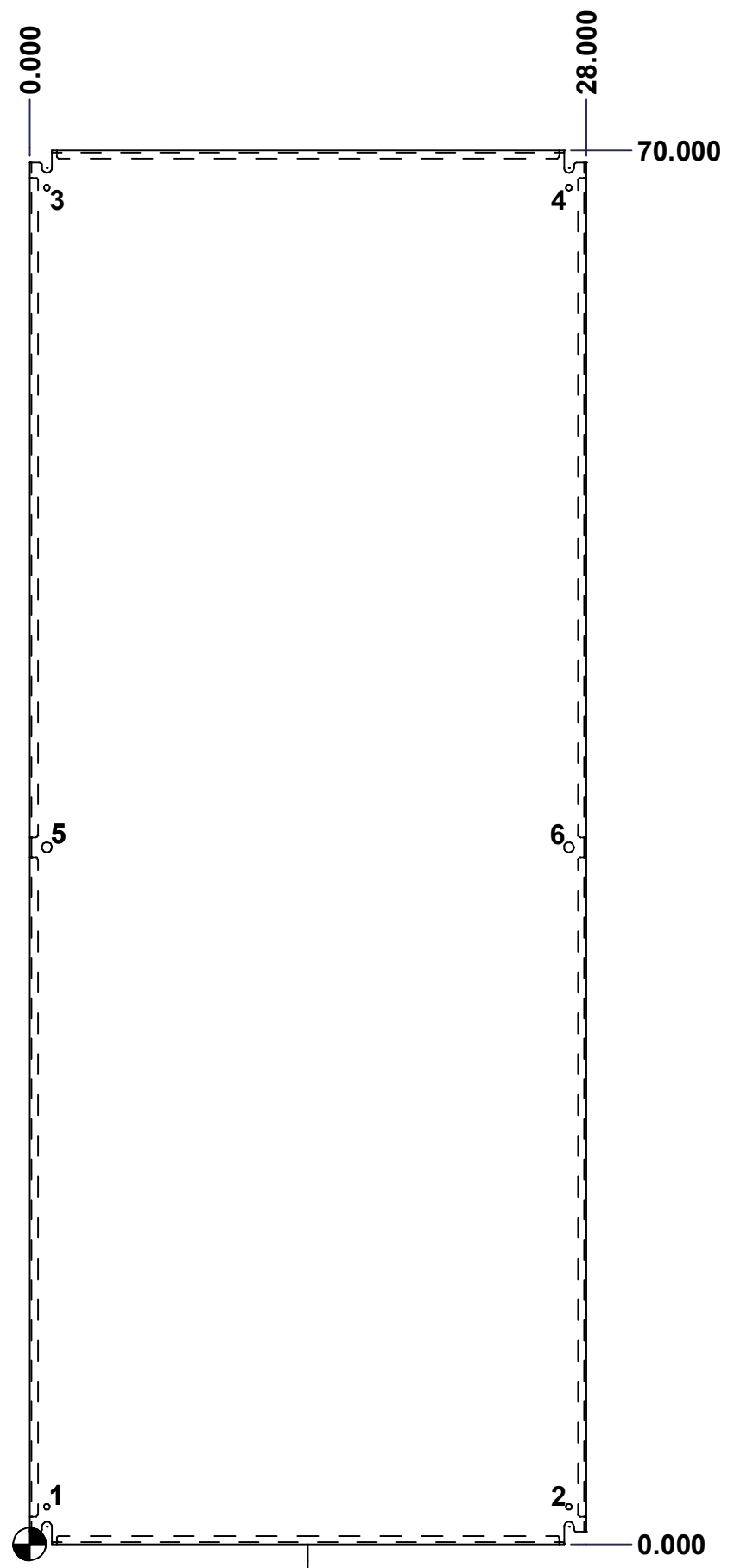
Parts List

This drawing is confidential and must not be reproduced or used without the consent of EXM

Ce dessin est confidentiel et ne doit pas être reproduit ou utilisé sans le consentement de EXM

| Table 1 | | | FRONT VIEW |
|---------|--------|--------|----------------------------|
| CUT-OUT | XDIM | YDIM | DESCRIPTION |
| 1 | 0.875 | 1.875 | GROUND HOLE (RND Ø0.290) |
| 2 | 27.125 | 1.875 | GROUND HOLE (RND Ø0.290) |
| 3 | 0.875 | 68.125 | GROUND HOLE (RND Ø0.290) |
| 4 | 27.125 | 68.125 | GROUND HOLE (RND Ø0.290) |
| 5 | 0.875 | 35.000 | MTG STUD HOLE (RND Ø0.500) |
| 6 | 27.125 | 35.000 | MTG STUD HOLE (RND Ø0.500) |

All knockouts are actual size / Les disques défonçables sont grandeur réel



FRONT

| No. | Revisions | Date | By/Par |
|-----|-----------|------|--------|
| | | | |
| | | | |
| | | | |
| | | | |
| | | | |

Isometric View

| | | | | |
|--|--|--|--------|--|
| | | Tél: (450) 979-4373 Fax: (450) 979-4626 www.exmweb.com | | Flatness Aplatissement Max 3.0mm |
| Customer Client | | Date | | Projection |
| Drawn By Dessiné Par | | BoxCad | | Date 1/23/2007 |
| Material Matière | | See Part List | | |
| Color Couleur | | See Part List | | Finish Fini |
| Description 881 SP - Inner Panel | | Detail Rev. | | |
| Part Number Numéro Pièce 881 SP7230 | | Rev. 0 | 2 2 | 2 |