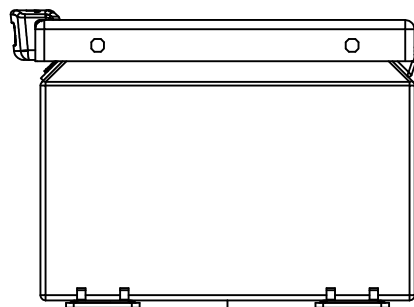
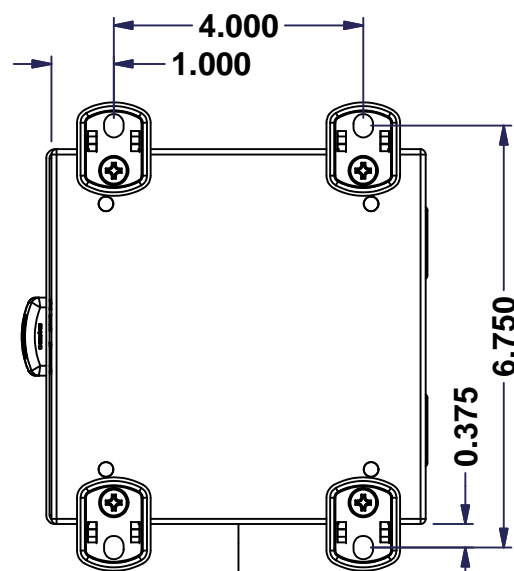


This drawing is confidential and must not be reproduced or used without the consent of EXM

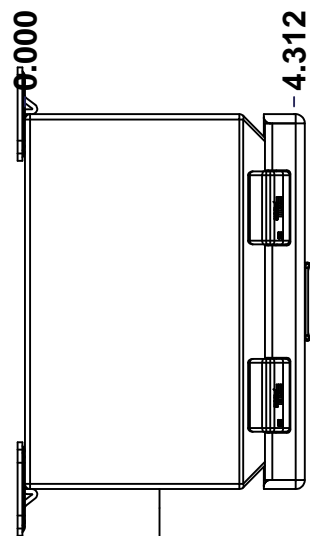
Ce dessin est confidentiel et ne doit pas être reproduit ou utilisé sans le consentement de EXM



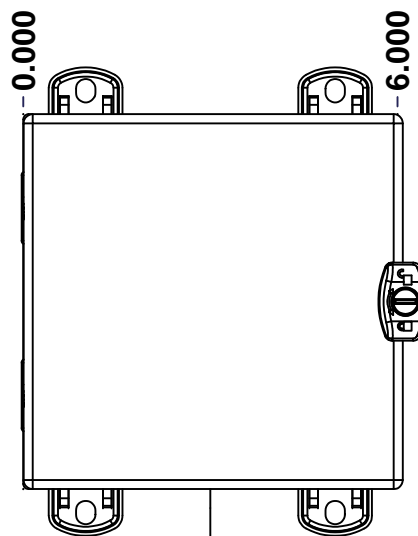
TOP



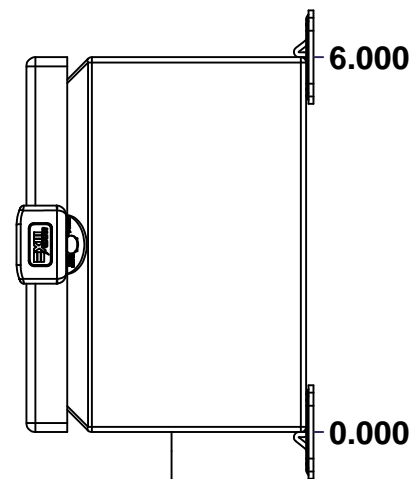
BACK



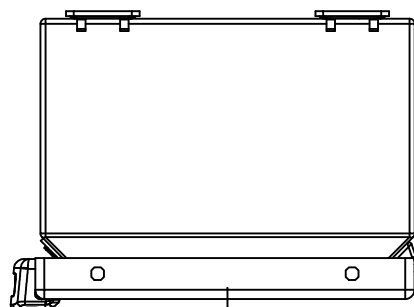
LEFT



FRONT

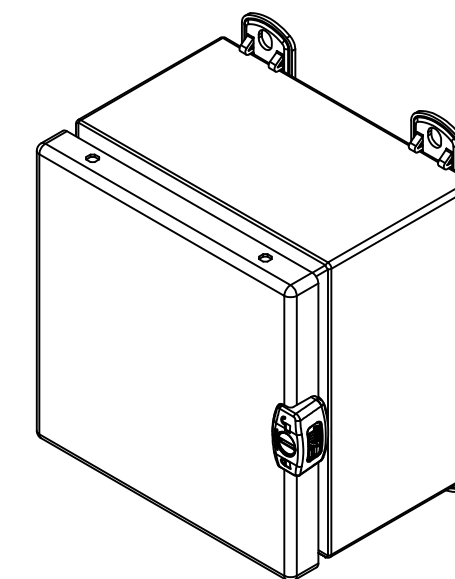


RIGHT



BOTTOM

| No. | Revisions | Date | By/Par |
|-----|-----------|------|--------|
|     |           |      |        |
|     |           |      |        |
|     |           |      |        |
|     |           |      |        |



Isometric View



Tél: (450) 979-4373  
 Fax: (450) 979-4626  
[www.exmweb.com](http://www.exmweb.com)

Flatness  
Aplatissement  
Max 3.0mm  
Projection

|   |                       |
|---|-----------------------|
| Customer Client                               | Date                  |
| Drawn By / Dessiné Par: BoxCad: BoxCad        | Date: 19-Mar-13       |
| Material / Matière: Aluminum 5052-H32 (1.4mm) |                       |
| Color / Couleur: Asa-61 Grey                  | Finish / Fini: Smooth |
| Description: 5412EALCH 6" x 6" x 4" Assembly  | Detail Rev.           |
| Part Number / Numéro Pièce: 5412EALCH060604   | Rev. 0                |

SEE BILL OF MATERIAL ON LAST PAGE

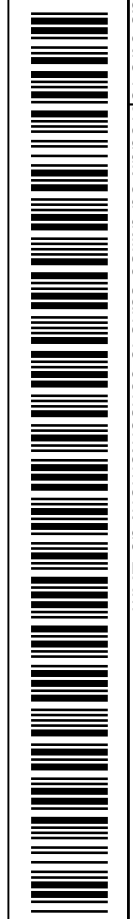
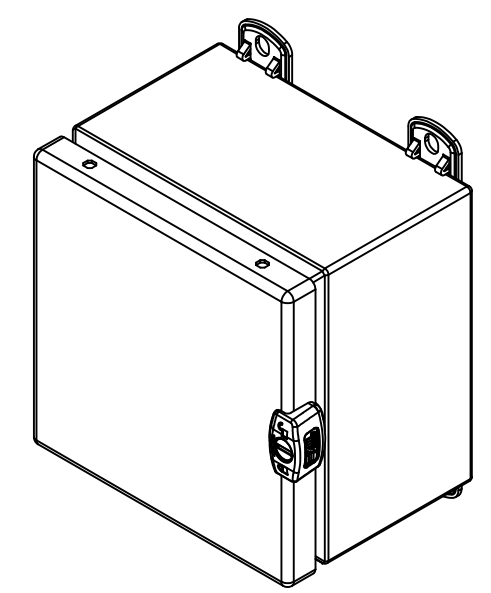
|   |
|---|
| 1 |
| 2 |

This drawing is confidential and must not be reproduced or used without the consent of EXM

Ce dessin est confidentiel et ne doit pas être reproduit ou utilisé sans le consentement de EXM

| NOTE |  |
|------|--|
| ITEM | DESCRIPTION                                    |
| 1    | NEMA 4X Enclosure                              |
| 2    | C/W Standard ground standoffs on box and cover |
| 3    | W/O Standard door stiffener                    |
| 4    | C/W Standard inner panel (Included)            |
| 5    | C/W Standard inner panel mounting standoffs    |
| 6    | C/W 885 ESCHMF2 Mounting Feet (Installed)      |

| No. | Revisions | Date | By/Par |
|-----|-----------|------|--------|
|     |           |      |        |
|     |           |      |        |
|     |           |      |        |
|     |           |      |        |
|     |           |      |        |
|     |           |      |        |



Isometric View



Tél: (450) 979-4373  
 Fax: (450) 979-4626  
[www.exmweb.com](http://www.exmweb.com)

Flatness  
Aplatissement  
Max 3.0mm  
Projection

Customer Client  
 Drawn By Dessiné Par BoxCad: BoxCad  
 Date 19-Mar-13

Material Matière Aluminum 5052-H32 (1.4mm)

Color Couleur Asa-61 Grey  
 Finish Fini Smooth

Description 5412EALCH 6" x 6" x 4" Assembly  
 Detail Rev.

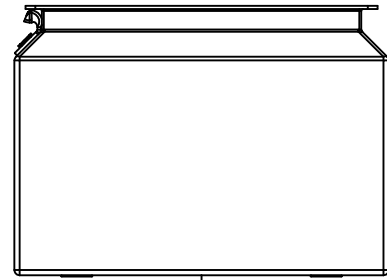
Part Number Numéro Pièce **5412EALCH060604**  
 Rev. 0

| Qty        | Part Number      | Rev | Description                            |
|------------|------------------|-----|--|
| 1          | 5412EALCH060604C | 0   | 5412EALCH 6" x 6" Cover                |
| 1          | 885 ESSCHMFQ     | 0   | 5412 ESSCH Mounting Feet Accessory Kit |
| 1          | STK-K-02910      | 3   | 5412 ESCH Accessory Kit                |
| 8          | STK-Q-07200      | 0   | Flange Lock Nut                        |
| 1          | 880 SP0606G      | 0   | 880 SP0606G - Inner Panel              |
| 1          | 5412EALCH060604B | 0   | 5412EALCH 6" x 6" x 4" Body            |
| 2          | STK-Q-08100      | 1   | M5 Nylon Insert Lock Nut               |
| Parts List |                  |     |  |

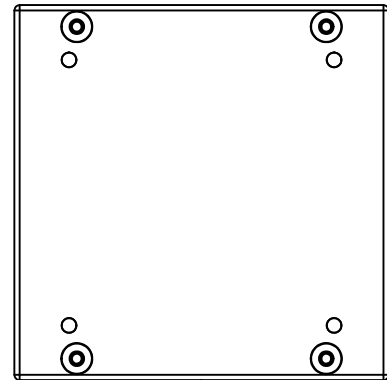
| PACKING         |     |  |
|-----------------|-----|--|
| ITEM            | QTY | DESCRIPTION                                |
| STK-E-04303     | 1   | CARTON 5412 ESCH060604                     |
| Plastic bag     | 1   | To protect cover surface and inside gasket |
| Packaging label | 1   | White label with product number            |
| STK-S-01100     | 1   | ESCH EXM SQUARE STICKER                    |

This drawing is confidential and must not be reproduced or used without the consent of EXM

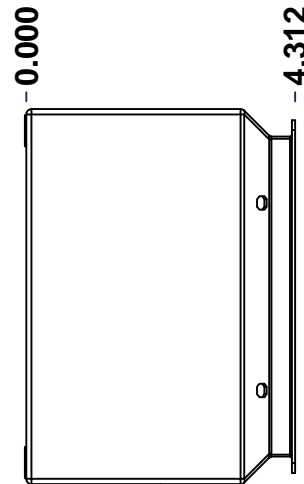
Ce dessin est confidentiel et ne doit pas être reproduit ou utilisé sans le consentement de EXM



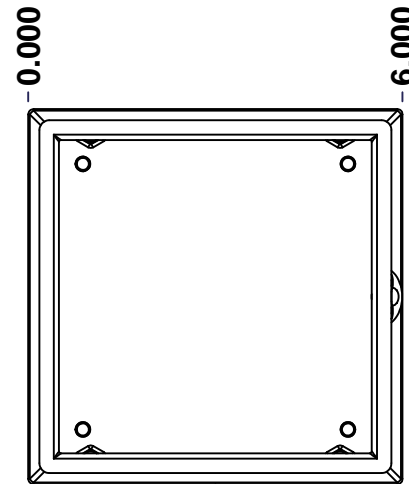
TOP



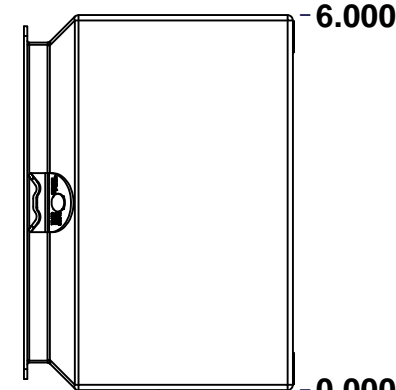
BACK



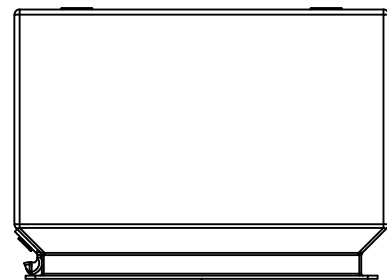
LEFT



FRONT

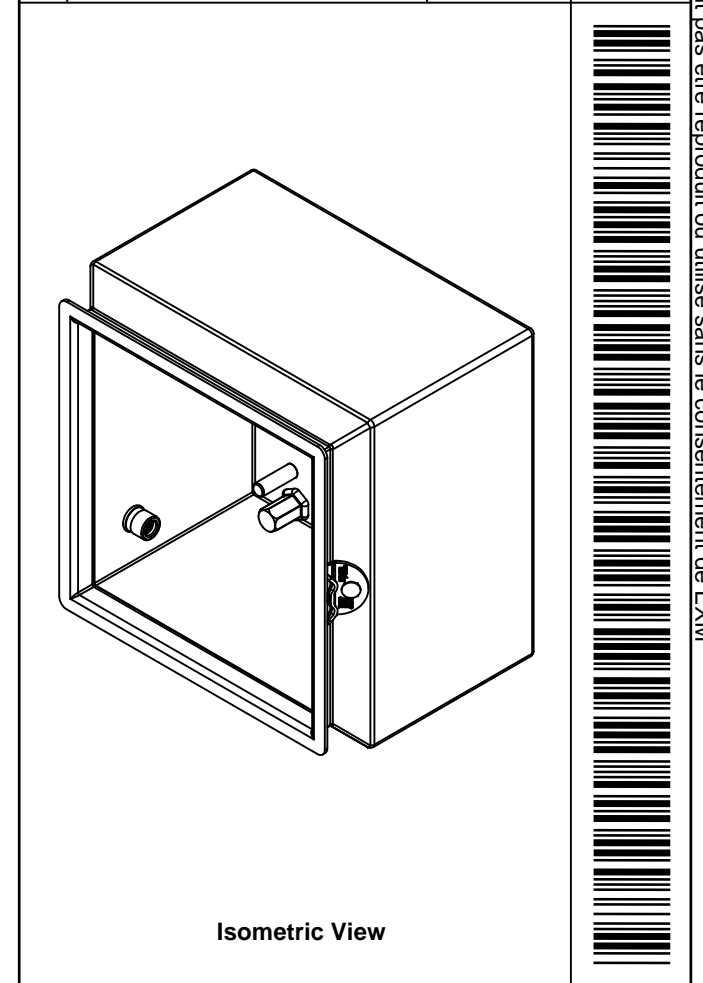


RIGHT




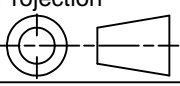
BOTTOM

| No. | Revisions | Date | By/Par |
|-----|-----------|------|--------|
|     |           |      |        |
|     |           |      |        |
|     |           |      |        |
|     |           |      |        |



Isometric View



|  |                           |   |
|--|---------------------------|---|
|  Tél: (450) 979-4373<br>Fax: (450) 979-4626<br><a href="http://www.exmweb.com">www.exmweb.com</a> |                           | Flatness<br>Aplatissement<br>Max 3.0mm<br>Projection<br> |
| Customer<br>Client   | Date                      |   |
| Drawn By<br>Dessiné Par  | BoxCad: BoxCad            | Date 19-Mar-13  |
| Material<br>Matière  | Aluminum 5052-H32 (1.4mm) |   |
| Color<br>Couleur   | Asa-61 Grey               | Finish<br>Fini Smooth   |
| Description  |                           | Detail Rev.   |
| 5412EALCH 6" x 6" x 4" Body  |                           |   |
| Part Number<br>Numéro Pièce  | Rev.                      |   |
| <b>5412EALCH060604B</b>  | <b>0</b>                  | 1 / 7   |

SEE BILL OF MATERIAL ON LAST PAGE

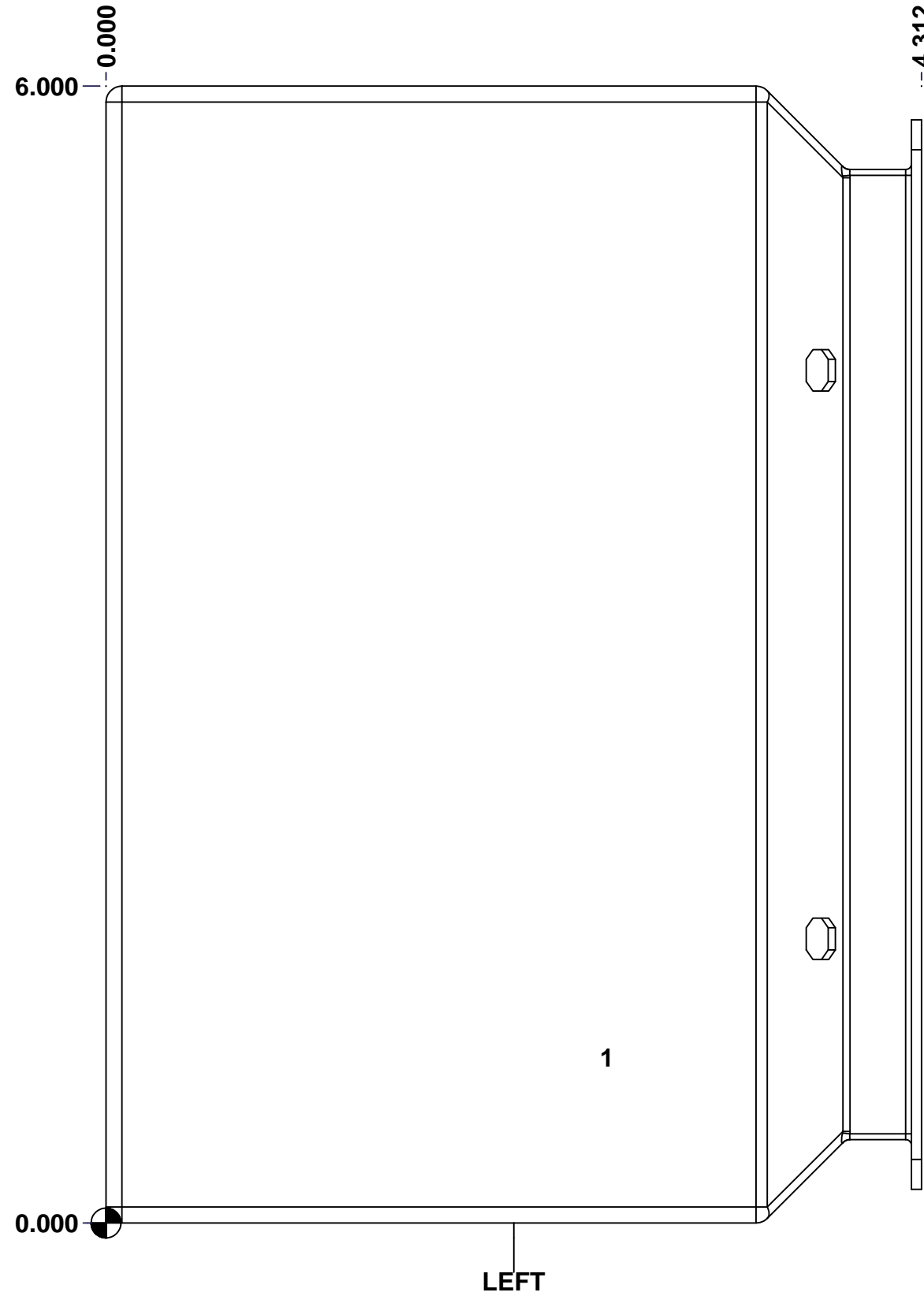
This drawing is confidential and must not be reproduced or used without the consent of EXM

Ce dessin est confidentiel et ne doit pas être reproduit ou utilisé sans le consentement de EXM

**STANDARD FEATURES ARE NOT LISTED IN THIS HOLE TABLE**

**HOLE TABLE - LEFT VIEW (CUSTOM FEATURE ONLY)**

| CUT-OUT | XDIM  | YDIM  | DESCRIPTION                 |
|---------|-------|-------|-----------------------------|
| 1       | 2.625 | 0.875 | STANDOFF M6 x 10mm (Inside) |



|  |                             |          |
|--|-----------------------------|----------|
|  | Description                 | Status   |
|  | 5412EALCH 6" x 6" x 4" Body | (NULL)   |
|  | Part Number<br>Numéro Pièce | Rev.     |
|  | <b>5412EALCH060604B</b>     | <b>0</b> |
|  |                             | 5        |
|  |                             | 7        |

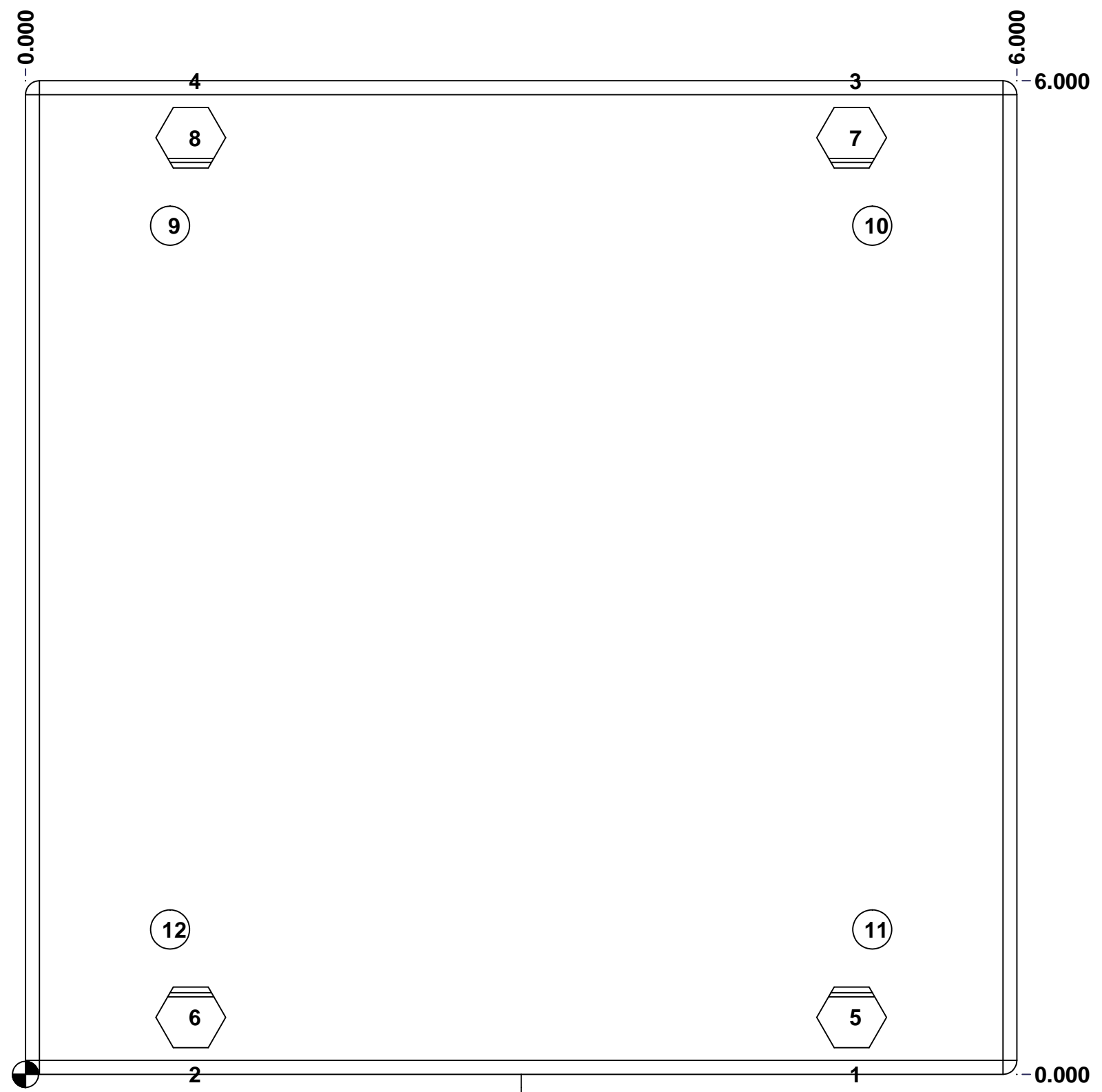
This drawing is confidential and must not be reproduced or used without the consent of EXM

Ce dessin est confidentiel et ne doit pas être reproduit ou utilisé sans le consentement de EXM

**STANDARD FEATURES ARE NOT LISTED IN THIS HOLE TABLE**

**HOLE TABLE - BACK VIEW (CUSTOM FEATURE ONLY)**

| CUT-OUT | XDIM  | YDIM  | DESCRIPTION                 |
|---------|-------|-------|-----------------------------|
| 1       | 5.000 | 0.000 | FOOT 885 ESCHMF2            |
| 2       | 1.000 | 0.000 | FOOT 885 ESCHMF2            |
| 3       | 5.000 | 6.000 | FOOT 885 ESCHMF2            |
| 4       | 1.000 | 6.000 | FOOT 885 ESCHMF2            |
| 5       | 5.000 | 0.344 | RIVET NUT M6_FH_CE (Inside) |
| 6       | 1.000 | 0.344 | RIVET NUT M6_FH_CE (Inside) |
| 7       | 5.000 | 5.656 | RIVET NUT M6_FH_CE (Inside) |
| 8       | 1.000 | 5.656 | RIVET NUT M6_FH_CE (Inside) |
| 9       | 0.875 | 5.125 | PEM FHS-M6-20 (Inside)      |
| 10      | 5.125 | 5.125 | PEM FHS-M6-20 (Inside)      |
| 11      | 5.125 | 0.875 | PEM FHS-M6-20 (Inside)      |
| 12      | 0.875 | 0.875 | PEM FHS-M6-20 (Inside)      |



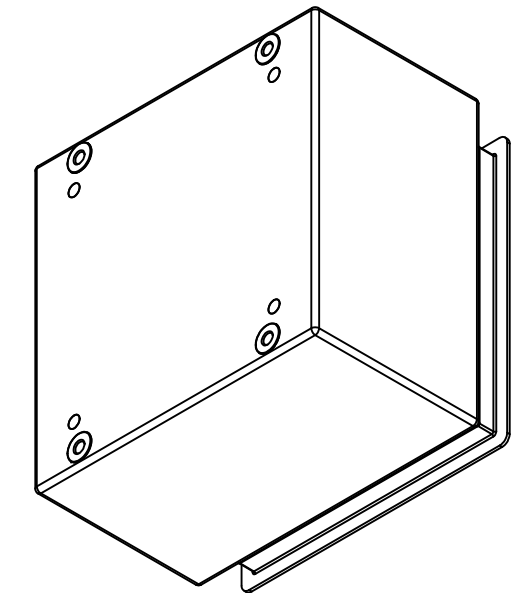
BACK

|  |                             |          |
|--|-----------------------------|----------|
|  | Description                 | Status   |
|  | 5412EALCH 6" x 6" x 4" Body | (NULL)   |
|  | Part Number<br>Numéro Pièce | Rev.     |
|  | <b>5412EALCH060604B</b>     | <b>0</b> |
|  |                             | 6        |
|  |                             | 7        |

This drawing is confidential and must not be reproduced or used without the consent of EXM

Ce dessin est confidentiel et ne doit pas être reproduit ou utilisé sans le consentement de EXM

| No. | Revisions | Date | By/Par |
|-----|-----------|------|--------|
|     |           |      |        |
|     |           |      |        |
|     |           |      |        |
|     |           |      |        |
|     |           |      |        |



Isometric View

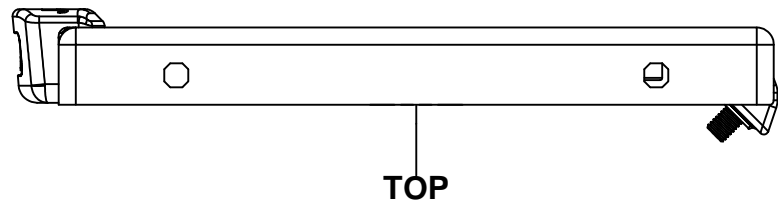


| Qty        | Part Number           | Rev | Description   |
|------------|-----------------------|-----|---|
| 4          | RIVET_NUT_SS_M6_FH_CE | 0   | Stainless Steel Rivet Nut M6 (Low Profile Close End)  |
| 4          | STK-PEM-FHS-M6-20     | 0   | SS PEM Self-Clinching Stud M6 x 20.0mm                |
| 1          | STK-Q-08100           | 1   | M5 Nylon Insert Lock Nut                              |
| 1          | STK-Q-08400           | 4   | Aluminum Standoff M6 x 10mm                           |
| 1          | 5412EALCH060604B-P    | 0   | 5412EALCH 6" x 6" x 4" Body Part                      |
| 1          | STK-A-70469           | 6   | 5412 ESSMCH - Stainless Steel 316 Body Catch Assembly |
| 1          | STK-P-02400S          | 0   | Powder Paint (Asa-61 Grey / Smooth)                   |
| Parts List |                       |     |   |

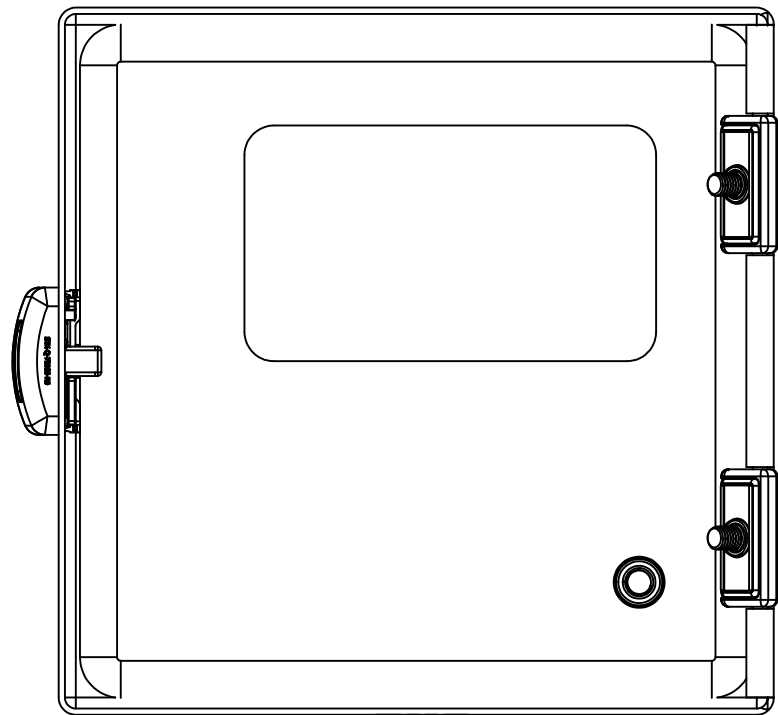
|  |                              |  |
|--|------------------------------|--|
| Tél: (450) 979-4373<br>Fax: (450) 979-4626<br><a href="http://www.exmweb.com">www.exmweb.com</a> |                              | Flatness<br>Aplatissement<br>Max 3.0mm<br>Projection<br> |
| Customer Client  | Date                         |  |
| Drawn By / Dessiné Par: BoxCad: BoxCad   | Date: 19-Mar-13              |  |
| Material / Matière: Aluminum 5052-H32 (1.4mm)  | Color / Couleur: Asa-61 Grey | Finish / Fini: Smooth                                    |
| Description: 5412EALCH 6" x 6" x 4" Body   |                              | Detail Rev.  |
| Part Number / Numéro Pièce: <b>5412EALCH060604B</b>  | Rev. <b>0</b>                | 7 / 7  |

This drawing is confidential and must not be reproduced or used without the consent of EXM

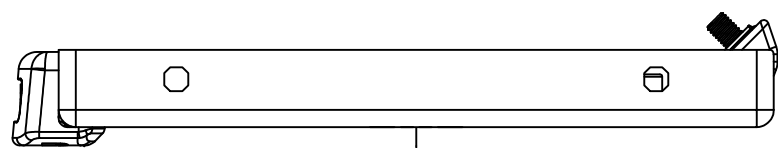
Ce dessin est confidentiel et ne doit pas être reproduit ou utilisé sans le consentement de EXM



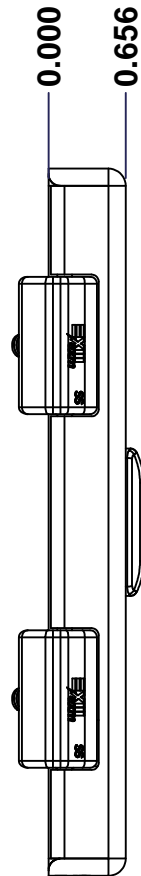
TOP



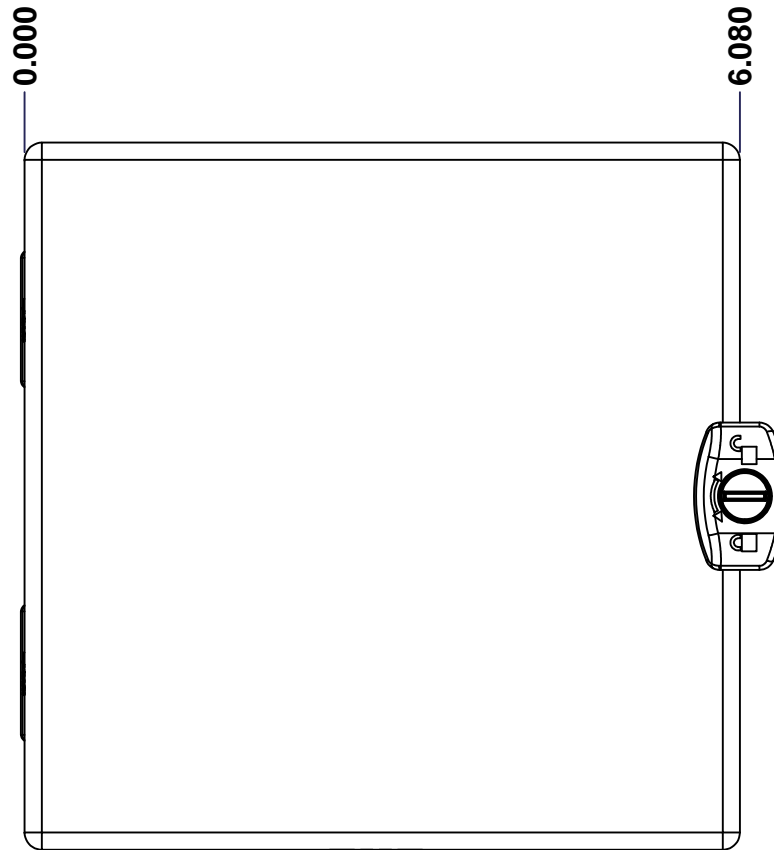
BACK



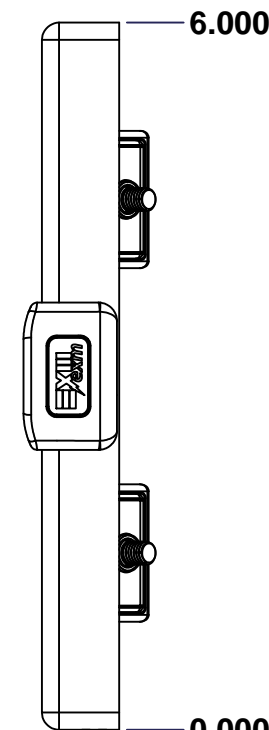
BOTTOM



LEFT

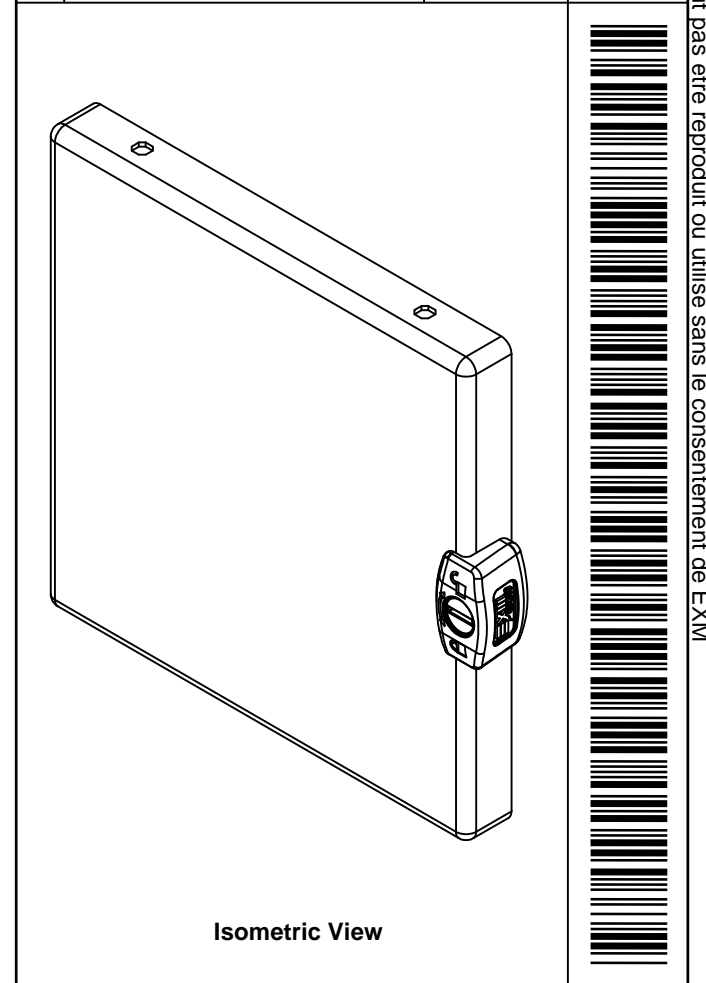


FRONT


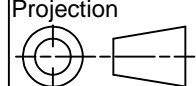


RIGHT

| No. | Revisions | Date | By/Par |
|-----|-----------|------|--------|
|     |           |      |        |
|     |           |      |        |
|     |           |      |        |
|     |           |      |        |



Isometric View

|  |                |   |
|--|----------------|---|
|  Tél: (450) 979-4373<br>Fax: (450) 979-4626<br><a href="http://www.exmweb.com">www.exmweb.com</a> |                | Flatness<br>Aplatissement<br>Max 3.0mm<br>Projection<br> |
| Customer<br>Client   | Date           | Date  |
| Drawn By<br>Dessiné Par  | BoxCad: BoxCad | Date 19-Mar-13  |
| Material<br>Matière Aluminum 5052-H32 (1.4mm)  |                |   |
| Color<br>Couleur   | Asa-61 Grey    | Finish<br>Fini Smooth   |
| Description<br>5412EALCH 6" x 6" Cover   |                | Detail Rev.   |
| Part Number<br>Numéro Pièce  | Rev. 0         | 1<br>3  |

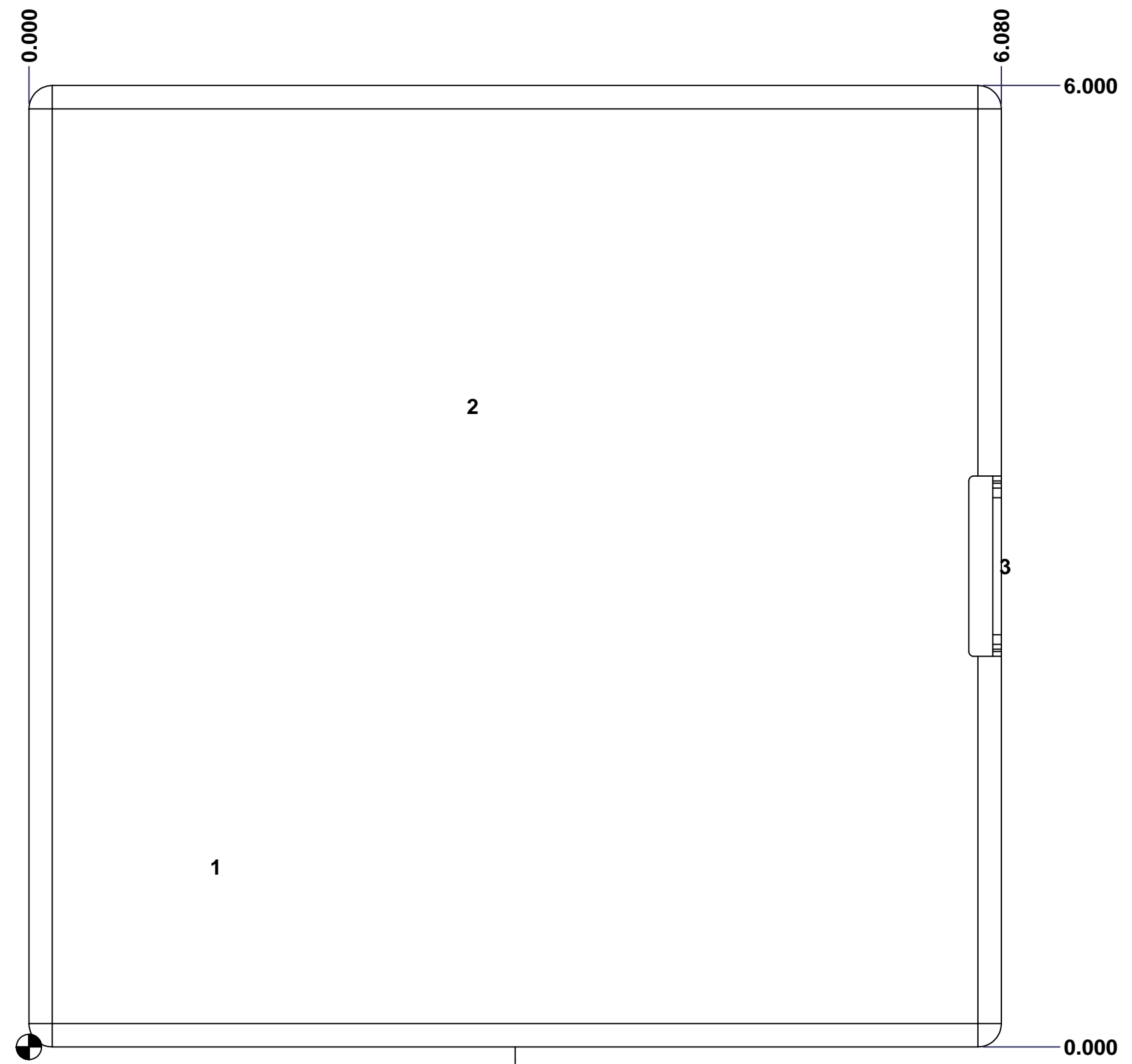
SEE BILL OF MATERIAL ON LAST PAGE

**5412EALCH060604C**

This drawing is confidential and must not be reproduced or used without the consent of EXM

Ce dessin est confidentiel et ne doit pas être reproduit ou utilisé sans le consentement de EXM

| STANDARD FEATURES ARE NOT LISTED IN THIS HOLE TABLE |       |       |                             |
|---|-------|-------|-----------------------------|
| HOLE TABLE - FRONT VIEW (CUSTOM FEATURE ONLY)       |       |       |                             |
| CUT-OUT   | XDIM  | YDIM  | DESCRIPTION                 |
| 1   | 1.145 | 1.125 | STANDOFF M6 x 10mm (Inside) |
| 2   | 2.750 | 4.000 | LABEL_EXM                   |
| 3   | 6.080 | 3.000 | LOCK 880 SCQ2MS @ 0.0°      |



FRONT

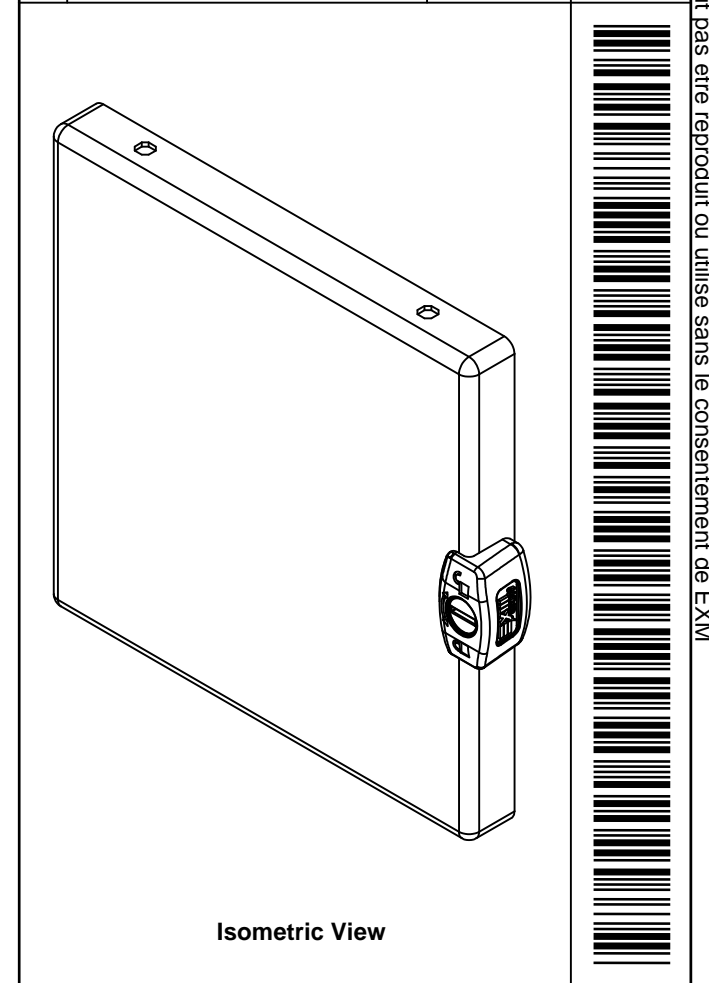
|  |                             |          |        |
|--|-----------------------------|----------|--------|
|  | Description                 | Status   |        |
|  | 5412EALCH 6" x 6" Cover     | (NULL)   |        |
|  | Part Number<br>Numéro Pièce | Rev.     |        |
|  | <b>5412EALCH060604C</b>     | <b>0</b> | 2<br>3 |


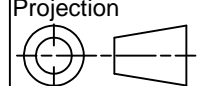


This drawing is confidential and must not be reproduced or used without the consent of EXM

Ce dessin est confidentiel et ne doit pas être reproduit ou utilisé sans le consentement de EXM

| No. | Revisions | Date | By/Par |
|-----|-----------|------|--------|
|     |           |      |        |
|     |           |      |        |
|     |           |      |        |
|     |           |      |        |
|     |           |      |        |

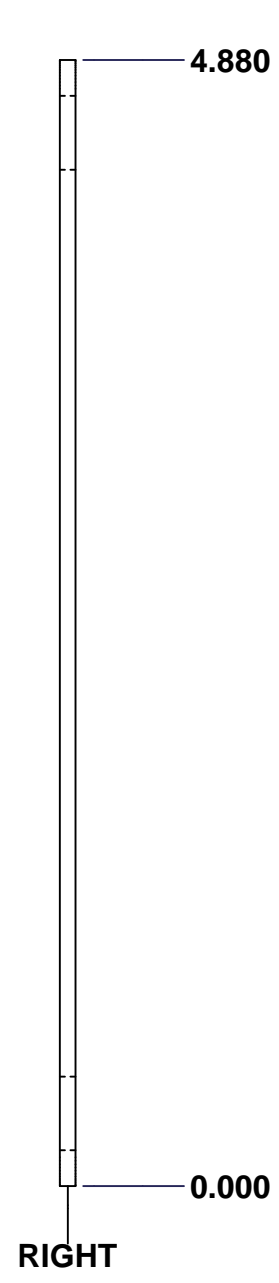
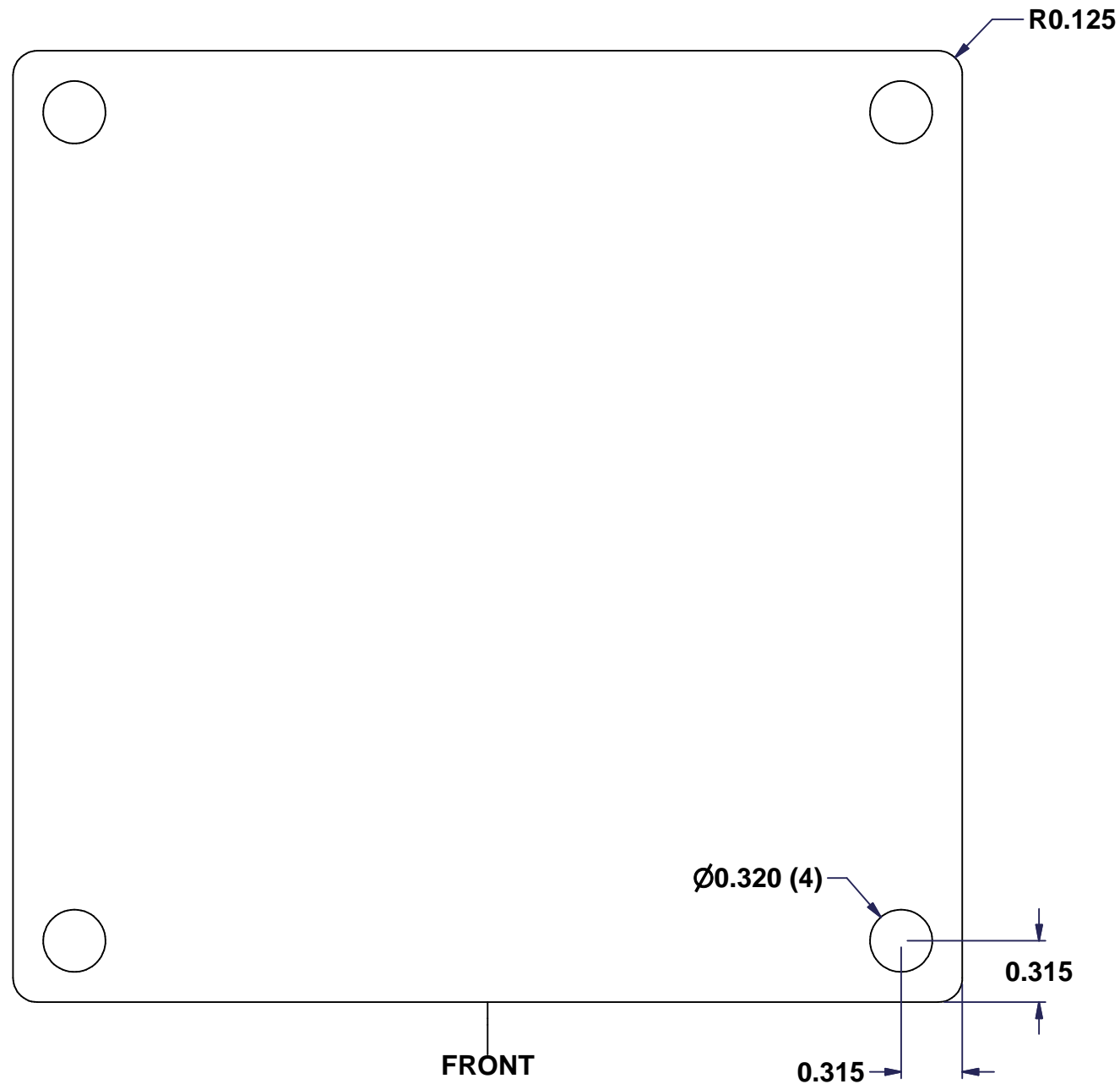
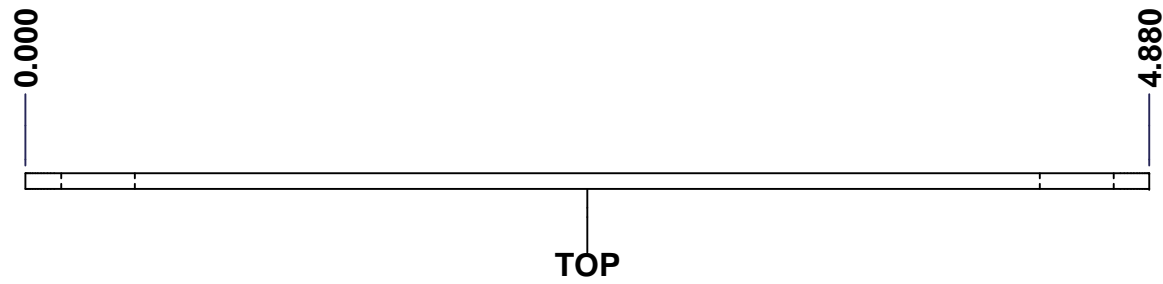


|  |                           |   |
|--|---------------------------|---|
|  Tél: (450) 979-4373<br>Fax: (450) 979-4626<br><a href="http://www.exmweb.com">www.exmweb.com</a> |                           | Flatness<br>Aplatissement<br>Max 3.0mm<br>Projection<br> |
| Customer<br>Client   | Date                      |   |
| Drawn By<br>Dessiné Par  | BoxCad: BoxCad            | Date 19-Mar-13  |
| Material<br>Matière  | Aluminum 5052-H32 (1.4mm) |   |
| Color<br>Couleur   | Asa-61 Grey               | Finish<br>Fini Smooth   |
| Description  |                           | Detail Rev.   |
| 5412EALCH 6" x 6" Cover  |                           |   |
| Part Number<br>Numéro Pièce  | Rev. 3                    | 3   |
| <b>5412EALCH060604C</b>  | <b>0</b>                  | <b>3</b>  |

| Qty        | Part Number        | Rev | Description                                 |
|------------|--------------------|-----|---|
| 1          | 880SCQ2S           | 3   | 5412 ESMCH - External Lock Assy - Slot Lock |
| 1          | 5412EALCH060604G   | 0   | 5412EALCH 6" x 6" Gasket                    |
| 1          | STK-S-00100        | 0   | 3.5" x 2" Silver Milar Flexcon Sticker      |
| 1          | STK-Q-08400        | 4   | Aluminum Standoff M6 x 10mm                 |
| 1          | STK-P-02400S       | 0   | Powder Paint (Asa-61 Grey / Smooth)         |
| 1          | 5412EALCH060604C-P | 0   | 5412EALCH 6" x 6" Cover Part                |
| 2          | STK-A-33038        | 3   | 5412 ESSMCH - Stainless Steel Hinge         |
| Parts List |                    |     |   |

This drawing is confidential and must not be reproduced or used without the consent of EXM

Ce dessin est confidentiel et ne doit pas être reproduit ou utilisé sans le consentement de EXM



| No. | Revisions | Date | By/Par |
|-----|-----------|------|--------|
|     |           |      |        |
|     |           |      |        |
|     |           |      |        |
|     |           |      |        |

**Isometric View**

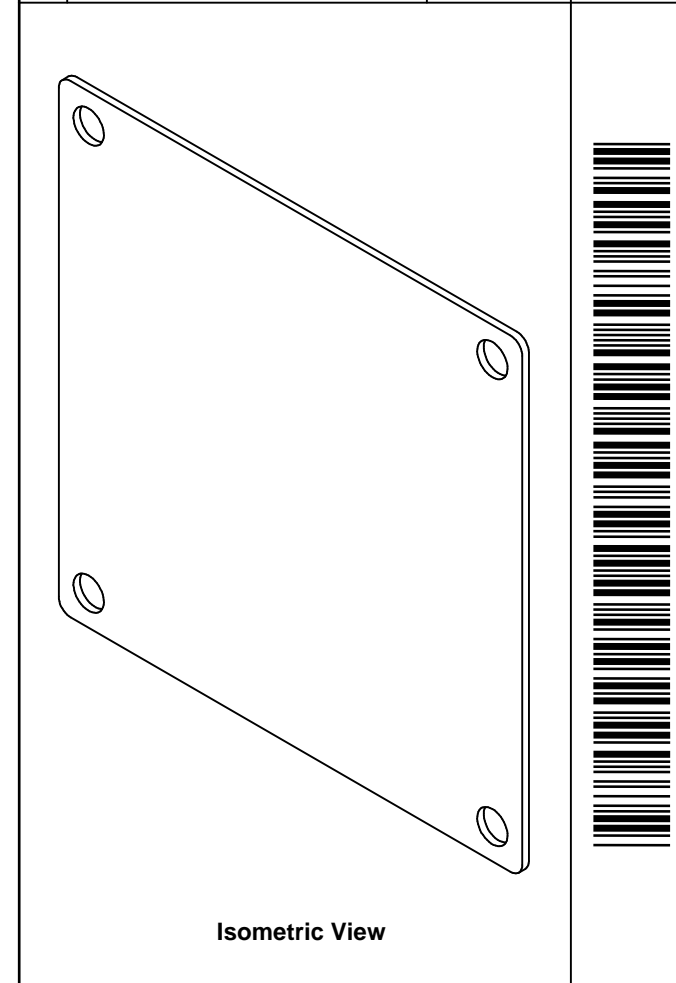
|   |  |                           |        |
|---|--|---------------------------|--------|
| <p>Tél: (450) 979-4373<br/>Fax: (450) 979-4626<br/>www.exmweb.com</p> |  | Flatness<br>Aplatissement |        |
|   |  | Max 3.0mm                 |        |
| Customer<br>Client  |  | Date                      |        |
| Drawn By<br>Dessiné Par BoxCad  |  | Date 23-Jan-07            |        |
| Material<br>Matière 14 Ga Galvanized (1.7mm)                          |  | Projection                |        |
| Color<br>Couleur Unpainted  |  | Finish<br>Fini Galvanized |        |
| Description<br>880 SP0606G - Inner Panel                              |  | Detail Rev.               |        |
| Part Number<br>Numéro Pièce <b>880 SP0606G</b>                        |  | Rev. <b>0</b>             | 1<br>2 |


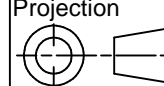
**SEE BILL OF MATERIAL ON LAST PAGE**

This drawing is confidential and must not be reproduced or used without the consent of EXM

Ce dessin est confidentiel et ne doit pas être reproduit ou utilisé sans le consentement de EXM

| No. | Revisions | Date | By/Par |
|-----|-----------|------|--------|
|     |           |      |        |
|     |           |      |        |
|     |           |      |        |
|     |           |      |        |
|     |           |      |        |



|  Tél: (450) 979-4373<br>Fax: (450) 979-4626<br>www.exmweb.com  |                          | Flatness<br>Aplatissement<br>Max 3.0mm<br>Projection<br> |                                |   |                                |     |             |     |             |            |  |  |  |   |   |   |
|---|--------------------------|---|--------------------------------|---|--------------------------------|-----|-------------|-----|-------------|------------|--|--|--|---|---|---|
| Customer<br>Client  | Date                     |   |                                |   |                                |     |             |     |             |            |  |  |  |   |   |   |
| Drawn By<br>Dessiné Par   | BoxCad                   | Date 23-Jan-07  |                                |   |                                |     |             |     |             |            |  |  |  |   |   |   |
| Material<br>Matière   | 14 Ga Galvanized (1.7mm) |   |                                |   |                                |     |             |     |             |            |  |  |  |   |   |   |
| Color<br>Couleur  | Unpainted                | Finish<br>Fini Galvanized   |                                |   |                                |     |             |     |             |            |  |  |  |   |   |   |
| Description<br>880 SP0606G - Inner Panel  |                          | Detail Rev.   |                                |   |                                |     |             |     |             |            |  |  |  |   |   |   |
| Part Number<br>Numéro Pièce   | <b>880 SP0606G</b>       | Rev. <b>0</b>   |                                |   |                                |     |             |     |             |            |  |  |  |   |   |   |
| <table border="1"> <tr> <td>1</td> <td>880 SP0606G-P</td> <td>0</td> <td>880 SP0606G - Inner Panel Part</td> </tr> <tr> <th>Qty</th> <th>Part Number</th> <th>Rev</th> <th>Description</th> </tr> <tr> <td colspan="4" style="text-align: center;">Parts List</td> </tr> </table> |                          | 1   | 880 SP0606G-P                  | 0 | 880 SP0606G - Inner Panel Part | Qty | Part Number | Rev | Description | Parts List |  |  |  | <table border="1"> <tr> <td>2</td> </tr> <tr> <td>2</td> </tr> </table> | 2 | 2 |
| 1   | 880 SP0606G-P            | 0   | 880 SP0606G - Inner Panel Part |   |                                |     |             |     |             |            |  |  |  |   |   |   |
| Qty   | Part Number              | Rev   | Description                    |   |                                |     |             |     |             |            |  |  |  |   |   |   |
| Parts List  |                          |   |                                |   |                                |     |             |     |             |            |  |  |  |   |   |   |
| 2   |                          |   |                                |   |                                |     |             |     |             |            |  |  |  |   |   |   |
| 2   |                          |   |                                |   |                                |     |             |     |             |            |  |  |  |   |   |   |