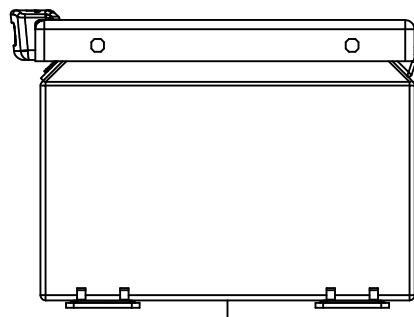
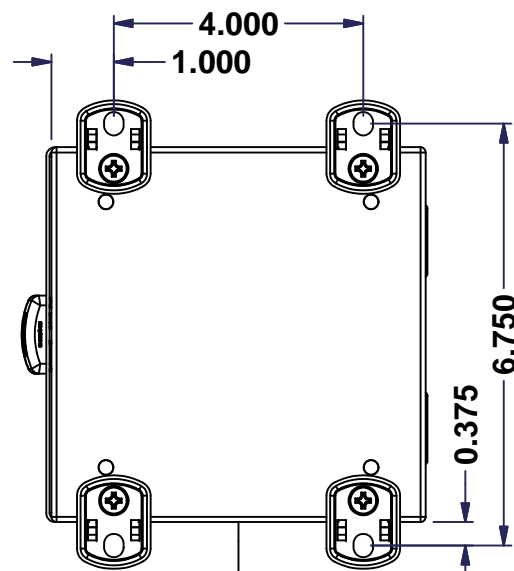


This drawing is confidential and must not be reproduced or used without the consent of EXM

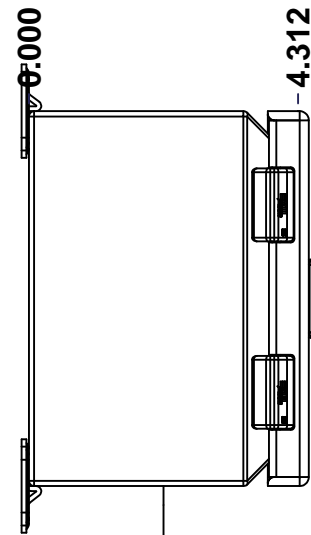
Ce dessin est confidentiel et ne doit pas être reproduit ou utilisé sans le consentement de EXM



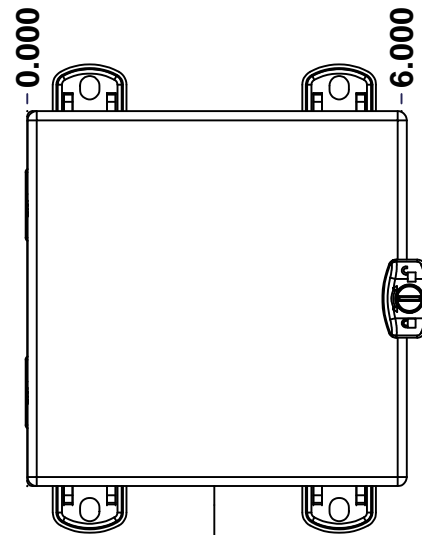
TOP



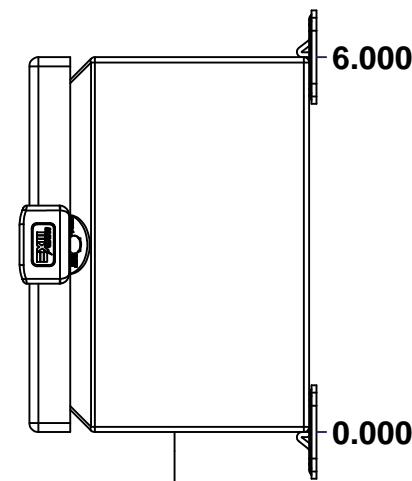
BACK



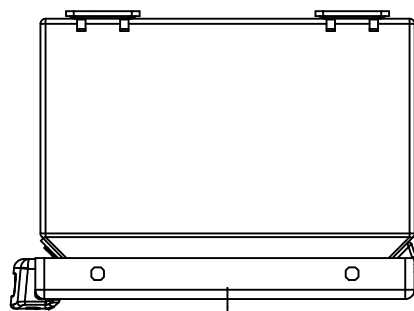
LEFT



FRONT

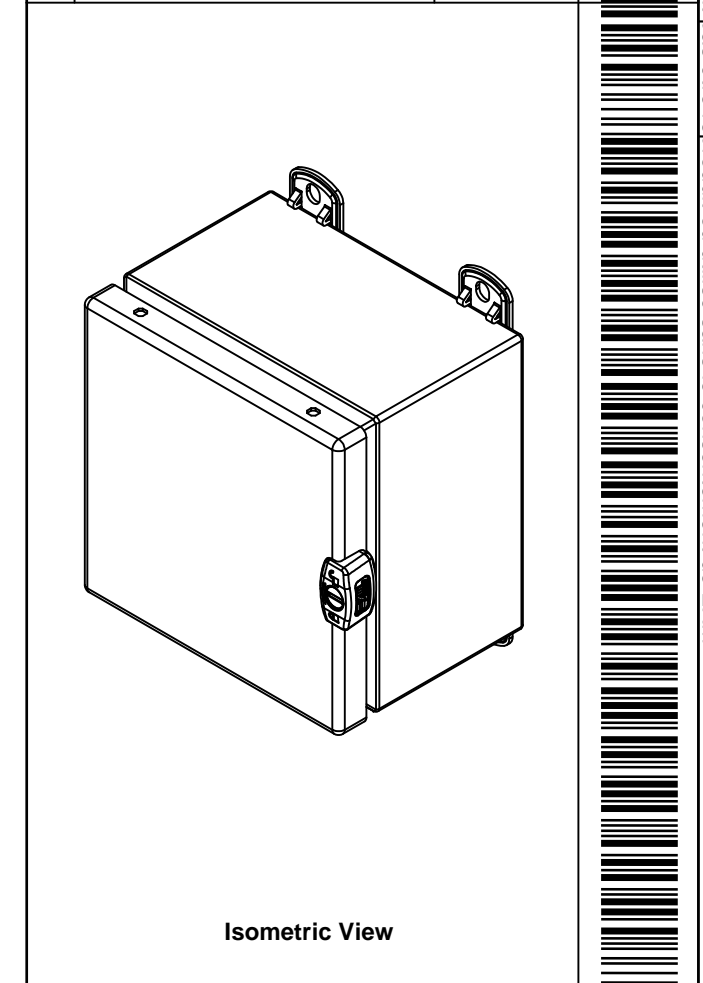


RIGHT




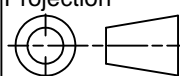
BOTTOM

| No. | Revisions | Date | By/Par |
|-----|-----------|------|--------|
| | | | |
| | | | |
| | | | |
| | | | |



Isometric View



| | | |
|--|---------------------------|---|
|  Tél: (450) 979-4373 Fax: (450) 979-4626 www.exmweb.com | | Flatness Aplatissement Max 3.0mm Projection  |
| Customer Client | Date | Date |
| Drawn By Dessiné Par | BoxCad: BoxCad | Date 22-Dec-21 |
| Material Matière | Aluminum 5052-H32 (1.4mm) | |
| Color Couleur | Asa-61 Grey | Finish Fini Smooth |
| Description | Detail Rev. | |
| 5412EALCH 6" x 6" x 4" Assembly | | |
| Part Number Numéro Pièce | Rev. | 1 |
| 5412EALCH060604NOIP | 0 | 2 |

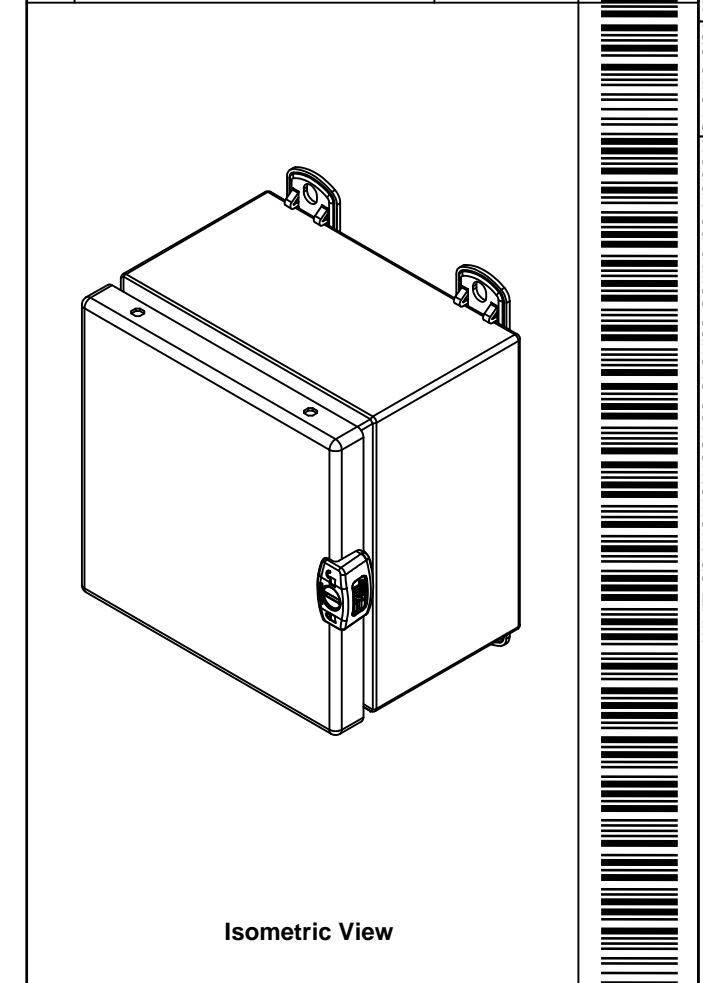
SEE BILL OF MATERIAL ON LAST PAGE

This drawing is confidential and must not be reproduced or used without the consent of EXM

Ce dessin est confidentiel et ne doit pas être reproduit ou utilisé sans le consentement de EXM

| NOTE | |
|------|--|
| ITEM | DESCRIPTION |
| 1 | NEMA 4X Enclosure |
| 2 | C/W Standard ground standoffs on box and cover |
| 3 | W/O Standard door stiffener |
| 4 | W/O Inner panel |
| 5 | C/W Standard inner panel mounting standoffs |
| 6 | C/W 885 ESCHMF2 Mounting Feet (Installed) |

| No. | Revisions | Date | By/Par |
|-----|-----------|------|--------|
| | | | |
| | | | |
| | | | |
| | | | |
| | | | |
| | | | |
| | | | |



| | | |
|-----------------------------|--|--|
| | Tél: (450) 979-4373 Fax: (450) 979-4626 www.exmweb.com | Flatness Aplatissement Max 3.0mm |
| | | Projection |
| Customer Client | Date | |
| Drawn By Dessiné Par | BoxCad: BoxCad | Date 22-Dec-21 |
| Material Matière | Aluminum 5052-H32 (1.4mm) | |
| Color Couleur | Asa-61 Grey | Finish Fini Smooth |
| Description | 5412EALCH 6" x 6" x 4" Assembly | |
| Part Number Numéro Pièce | 5412EALCH060604NOIP | Rev. 0 |

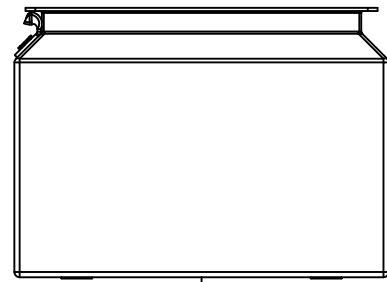
| PACKING | | |
|-----------------|-----|--|
| ITEM | QTY | DESCRIPTION |
| STK-E-04303 | 1 | CARTON 5412 ESCH060604 |
| Plastic bag | 1 | To protect cover surface and inside gasket |
| Packaging label | 1 | White label with product number |
| STK-S-01100 | 1 | ESCH EXM SQUARE STICKER |

| Qty | Part Number | Rev | Description |
|------------|-----------------------|-----|--|
| 1 | 5412EALCH060604NOIP C | 0 | 5412EALCH 6" x 6" Cover |
| 1 | STK-K-02910 | 3 | 5412 ESCH Accessory Kit |
| 1 | 885 ESSCHMFQ | 0 | 5412 ESSCH Mounting Feet Accessory Kit |
| 1 | 5412EALCH060604NOIPB | 0 | 5412EALCH 6" x 6" x 4" Body |
| 2 | STK-Q-08100 | 1 | M5 Nylon Insert Lock Nut |
| Parts List | | | |

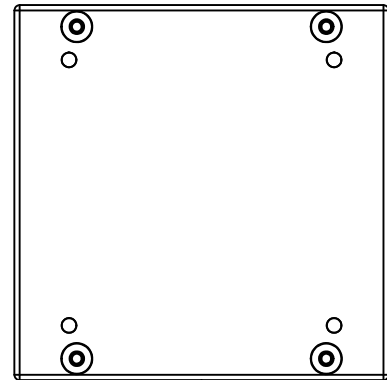
| |
|---|
| 2 |
| 2 |

This drawing is confidential and must not be reproduced or used without the consent of EXM

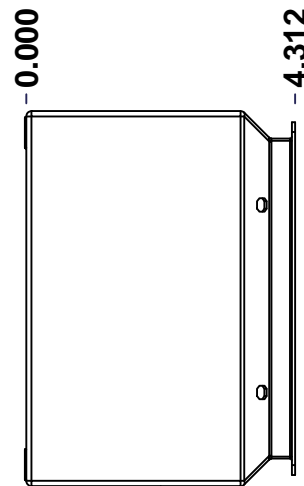
Ce dessin est confidentiel et ne doit pas être reproduit ou utilisé sans le consentement de EXM



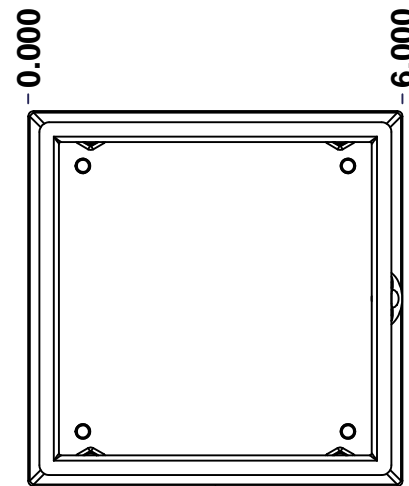
TOP



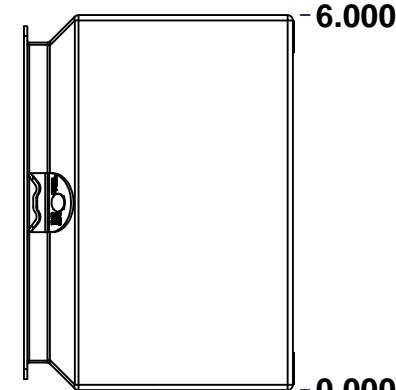
BACK



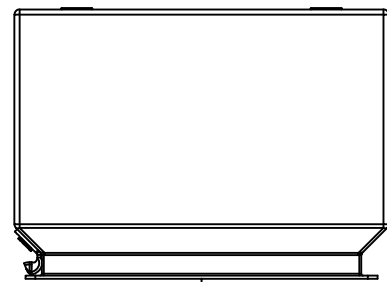
LEFT



FRONT

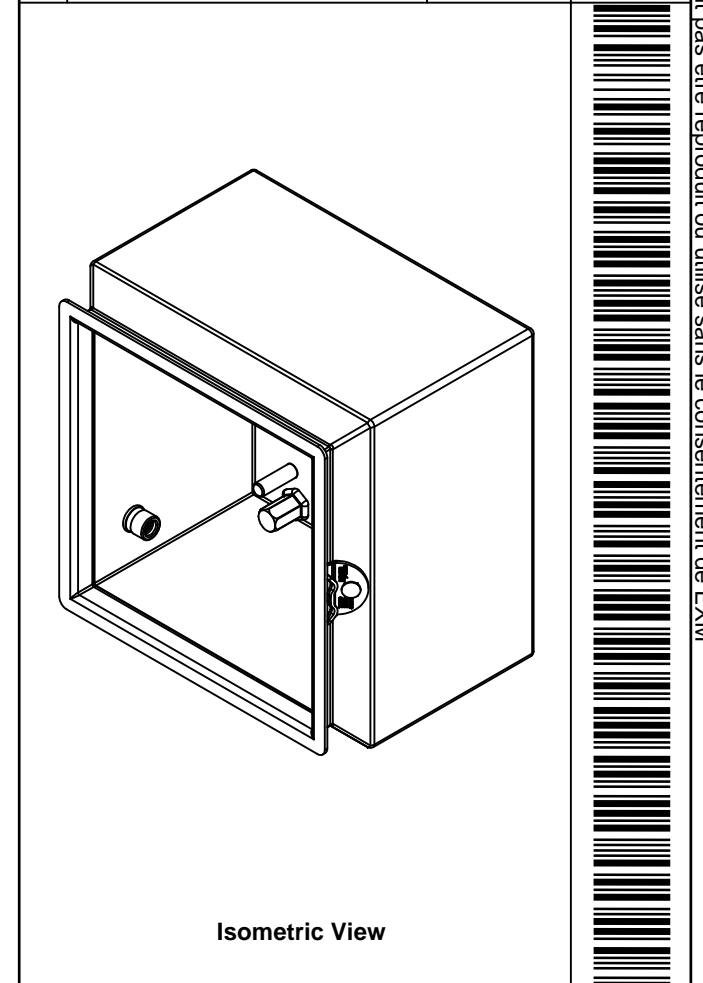


RIGHT





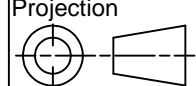
BOTTOM

| No. | Revisions | Date | By/Par |
|-----|-----------|------|--------|
| | | | |
| | | | |
| | | | |
| | | | |
| | | | |



Isometric View



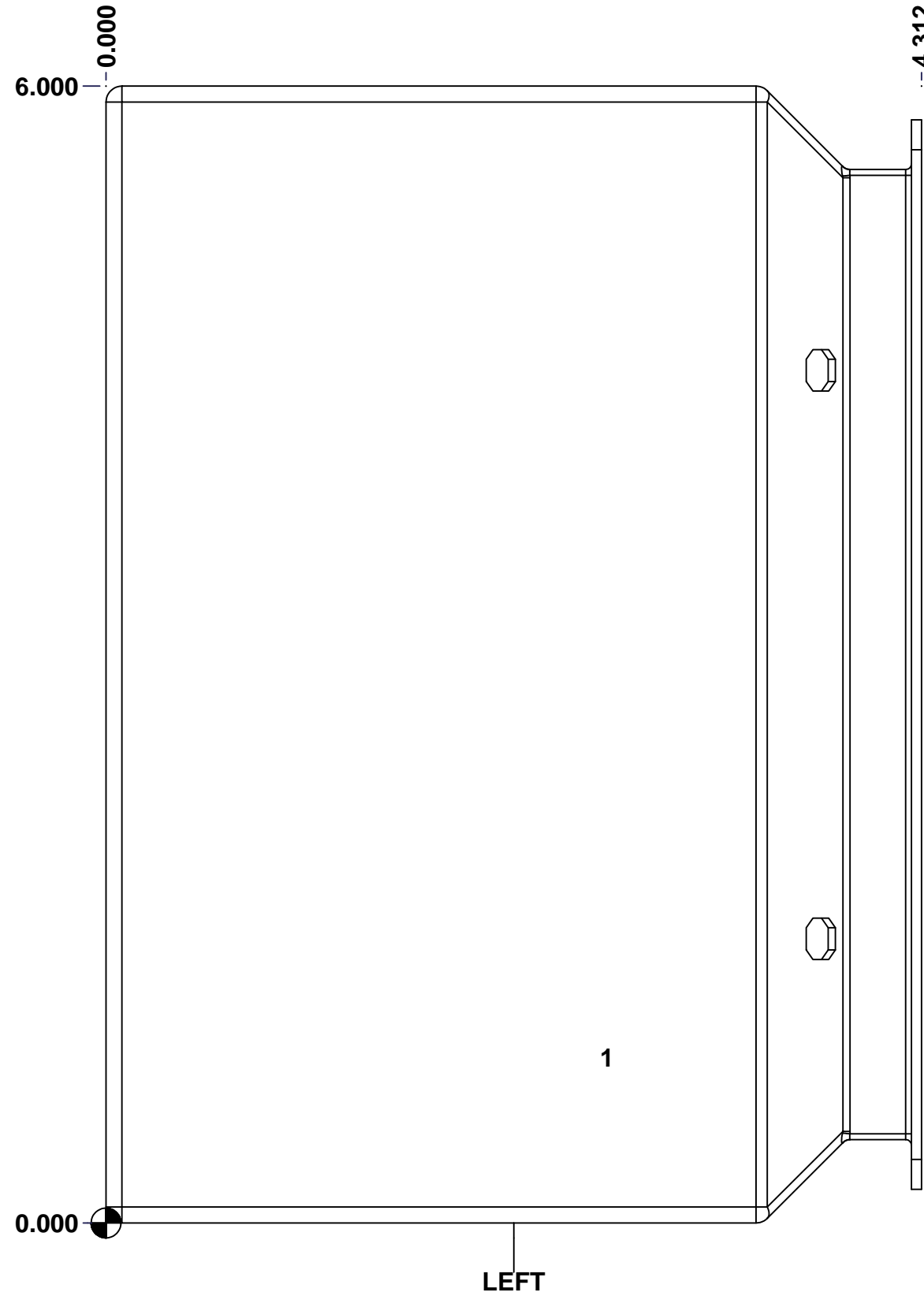
| | | |
|--|---------------------------|---|
|  Tél: (450) 979-4373 Fax: (450) 979-4626 www.exmweb.com | | Flatness Aplatissement  Max 3.0mm Projection  |
| Customer Client | Date | |
| Drawn By Dessiné Par | BoxCad: BoxCad | Date 22-Dec-21 |
| Material Matière | Aluminum 5052-H32 (1.4mm) | |
| Color Couleur | Asa-61 Grey | Finish Fini Smooth |
| Description | Detail Rev. | |
| 5412EALCH 6" x 6" x 4" Body | | |
| Part Number Numéro Pièce | Rev. 0 | 1 / 7 |
| 5412EALCH060604NOIPB | | |

SEE BILL OF MATERIAL ON LAST PAGE

This drawing is confidential and must not be reproduced or used without the consent of EXM

Ce dessin est confidentiel et ne doit pas être reproduit ou utilisé sans le consentement de EXM

| STANDARD FEATURES ARE NOT LISTED IN THIS HOLE TABLE | | | |
|--|-------|-------|-----------------------------|
| HOLE TABLE - LEFT VIEW (CUSTOM FEATURE ONLY) | | | |
| CUT-OUT | XDIM | YDIM | DESCRIPTION |
| 1 | 2.625 | 0.875 | STANDOFF M6 x 10mm (Inside) |



| | | | |
|--|-----------------------------|--|-------------------|
| | Description | | Status |
| | 5412EALCH 6" x 6" x 4" Body | | (NULL) |
| | Part Number Numéro Pièce | | Rev. |
| | 5412EALCH060604NOIPB | | 0 / 5 7 |

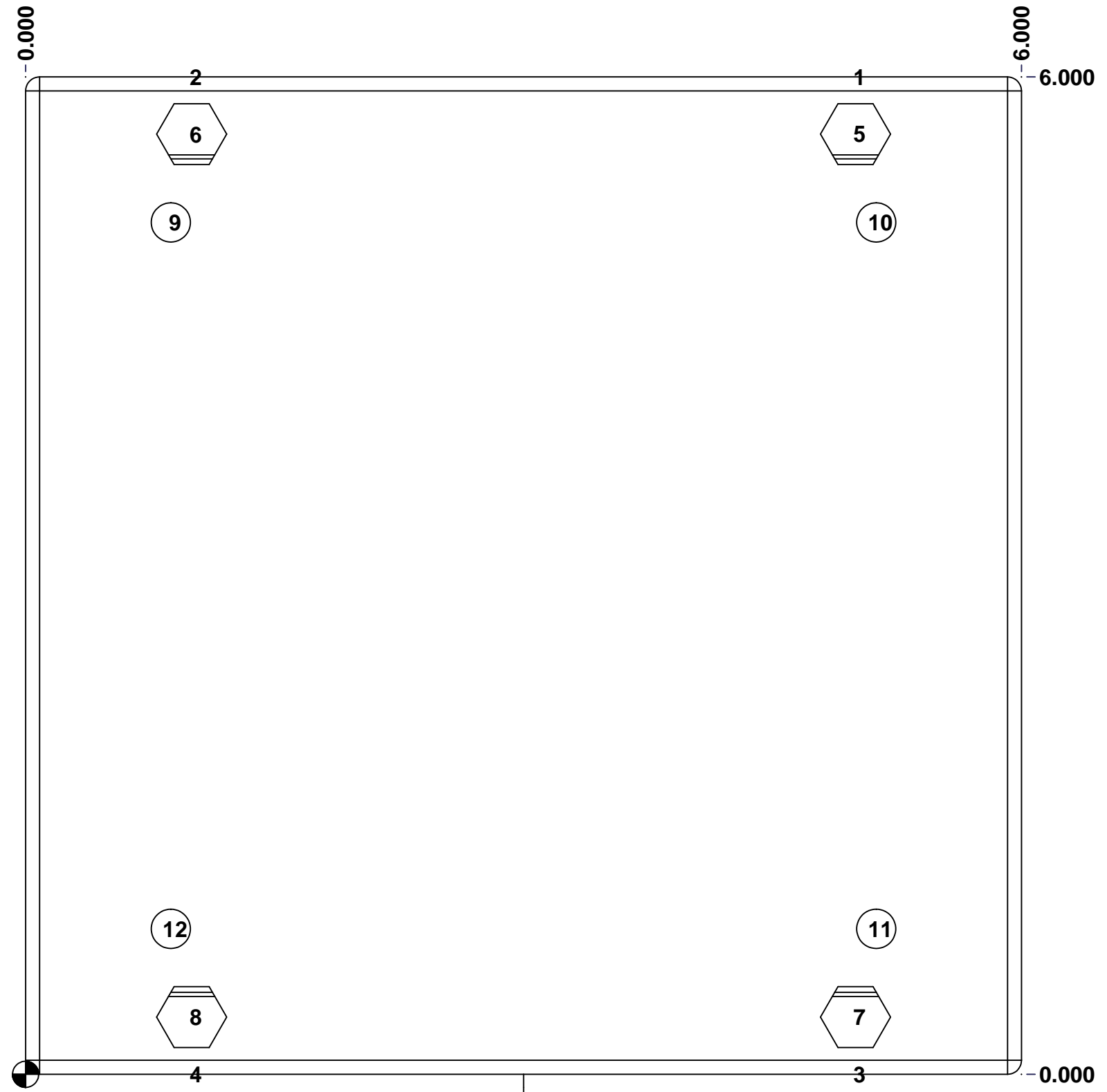
This drawing is confidential and must not be reproduced or used without the consent of EXM

Ce dessin est confidentiel et ne doit pas être reproduit ou utilisé sans le consentement de EXM

STANDARD FEATURES ARE NOT LISTED IN THIS HOLE TABLE

HOLE TABLE - BACK VIEW (CUSTOM FEATURE ONLY)

| CUT-OUT | XDIM | YDIM | DESCRIPTION |
|---------|-------|-------|-----------------------------|
| 1 | 5.000 | 6.000 | FOOT 885 ESCHMF2 |
| 2 | 1.000 | 6.000 | FOOT 885 ESCHMF2 |
| 3 | 5.000 | 0.000 | FOOT 885 ESCHMF2 |
| 4 | 1.000 | 0.000 | FOOT 885 ESCHMF2 |
| 5 | 5.000 | 5.656 | RIVET NUT M6_FH_CE (Inside) |
| 6 | 1.000 | 5.656 | RIVET NUT M6_FH_CE (Inside) |
| 7 | 5.000 | 0.344 | RIVET NUT M6_FH_CE (Inside) |
| 8 | 1.000 | 0.344 | RIVET NUT M6_FH_CE (Inside) |
| 9 | 0.875 | 5.125 | PEM FHS-M6-20 (Inside) |
| 10 | 5.125 | 5.125 | PEM FHS-M6-20 (Inside) |
| 11 | 5.125 | 0.875 | PEM FHS-M6-20 (Inside) |
| 12 | 0.875 | 0.875 | PEM FHS-M6-20 (Inside) |



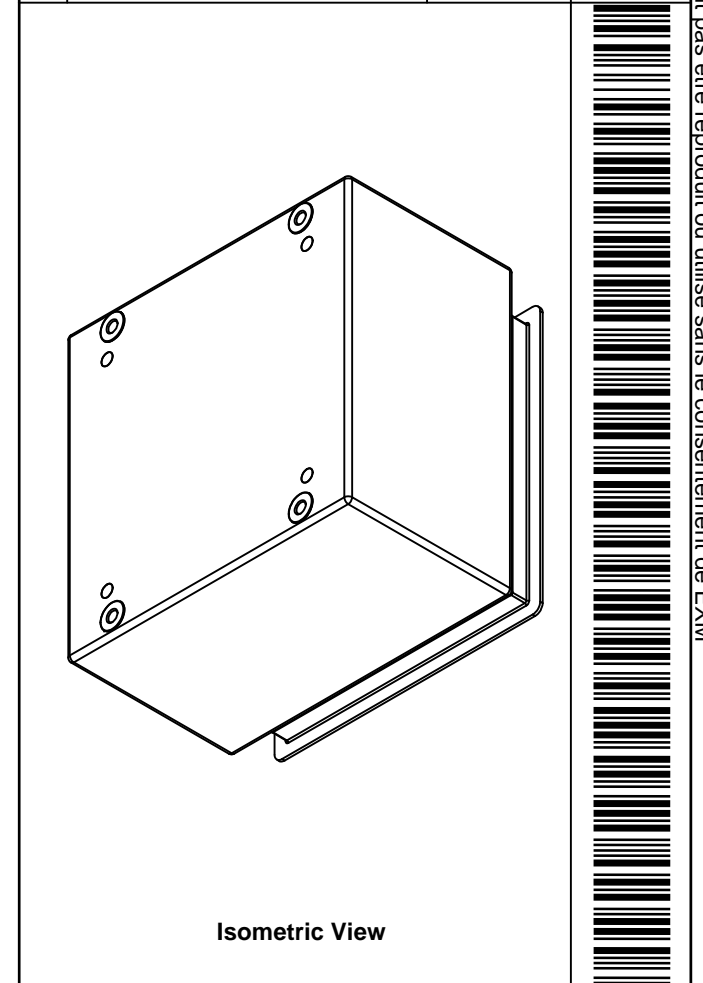
BACK

| | | |
|--|-----------------------------|------------------|
| | Description | Status |
| | 5412EALCH 6" x 6" x 4" Body | (NULL) |
| | Part Number Numéro Pièce | Rev. |
| | 5412EALCH060604NOIPB | 0 / 6 / 7 |

This drawing is confidential and must not be reproduced or used without the consent of EXM

Ce dessin est confidentiel et ne doit pas être reproduit ou utilisé sans le consentement de EXM

| No. | Revisions | Date | By/Par |
|-----|-----------|------|--------|
| | | | |
| | | | |
| | | | |
| | | | |
| | | | |




 Tél: (450) 979-4373
 Fax: (450) 979-4626
www.exmweb.com

Flatness / Aplatissement:  Max 3.0mm
 Projection: 

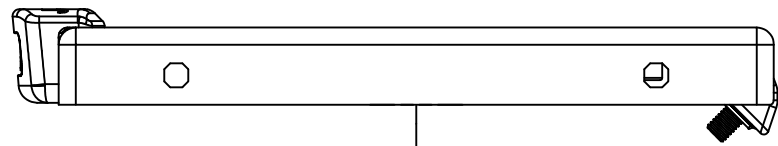
| | |
|---|-----------------------|
| Customer / Client | Date |
| Drawn By / Dessiné Par: BoxCad: BoxCad | Date: 22-Dec-21 |
| Material / Matière: Aluminum 5052-H32 (1.4mm) | |
| Color / Couleur: Asa-61 Grey | Finish / Fini: Smooth |

| Qty | Part Number | Rev | Description |
|------------|------------------------|-----|---|
| 4 | RIVET_NUT_SS_M6_FH_CE | 0 | Stainless Steel Rivet Nut M6 (Low Profile Close End) |
| 4 | STK-PEM-FHS-M6-20 | 0 | SS PEM Self-Clinching Stud M6 x 20.0mm |
| 1 | STK-Q-08100 | 1 | M5 Nylon Insert Lock Nut |
| 1 | STK-Q-08400 | 4 | Aluminum Standoff M6 x 10mm |
| 1 | 5412EALCH060604NOIPB-P | 0 | 5412EALCH 6" x 6" x 4" Body Part |
| 1 | STK-A-70469 | 6 | 5412 ESSMCH - Stainless Steel 316 Body Catch Assembly |
| 1 | STK-P-02400S | 0 | Powder Paint (Asa-61 Grey / Smooth) |
| Parts List | | | |

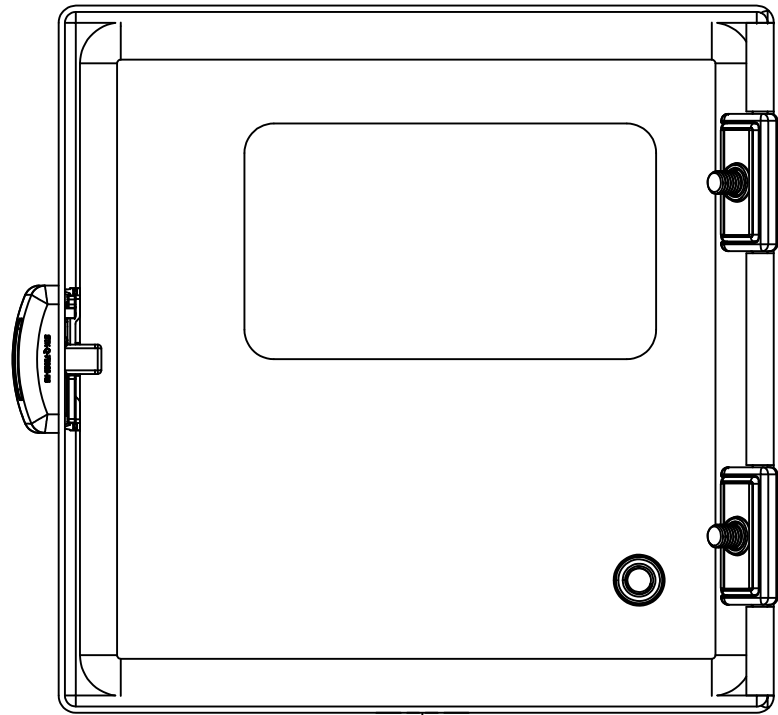
| | |
|---|---------------|
| Description: 5412EALCH 6" x 6" x 4" Body | Detail Rev. |
| Part Number / Numéro Pièce: 5412EALCH060604NOIPB | Rev. 0 |
| | 7 / 7 |

This drawing is confidential and must not be reproduced or used without the consent of EXM

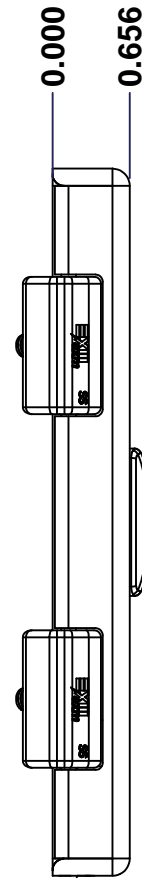
Ce dessin est confidentiel et ne doit pas être reproduit ou utilisé sans le consentement de EXM



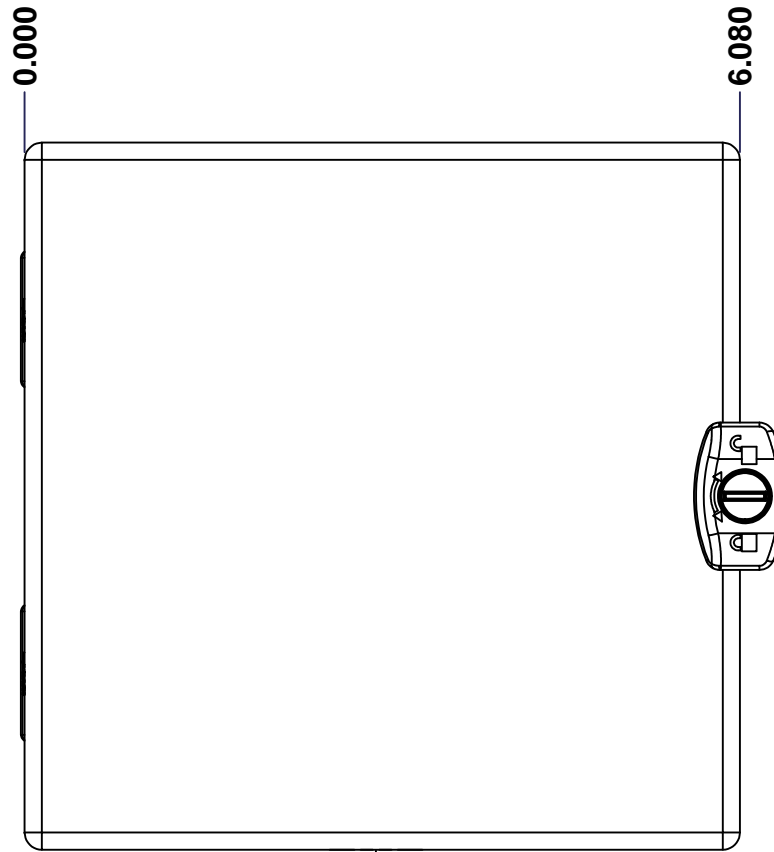
TOP



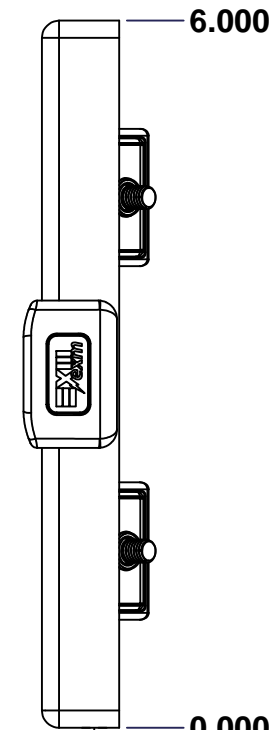
BACK



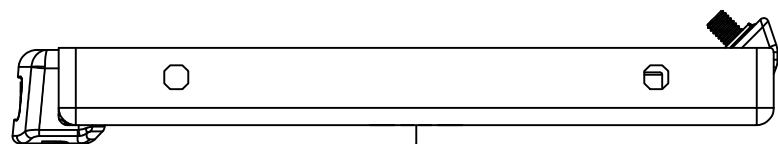
LEFT



FRONT

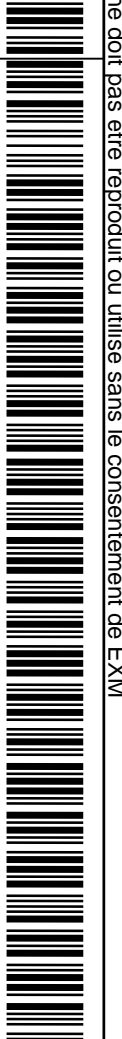
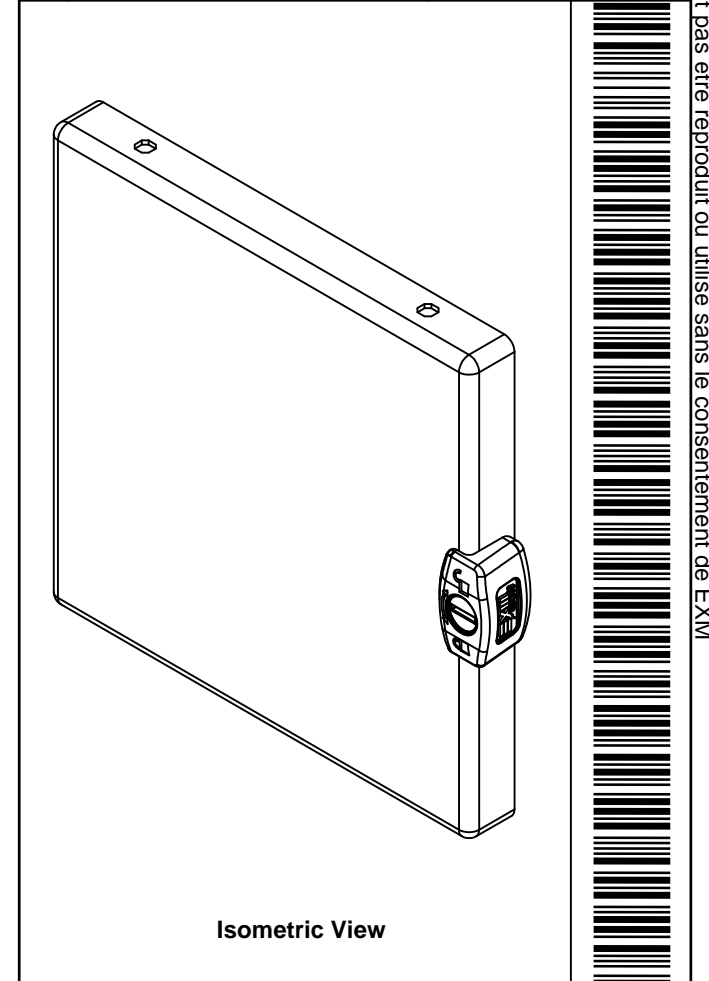



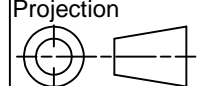
RIGHT



BOTTOM

| No. | Revisions | Date | By/Par |
|-----|-----------|------|--------|
| | | | |
| | | | |
| | | | |
| | | | |



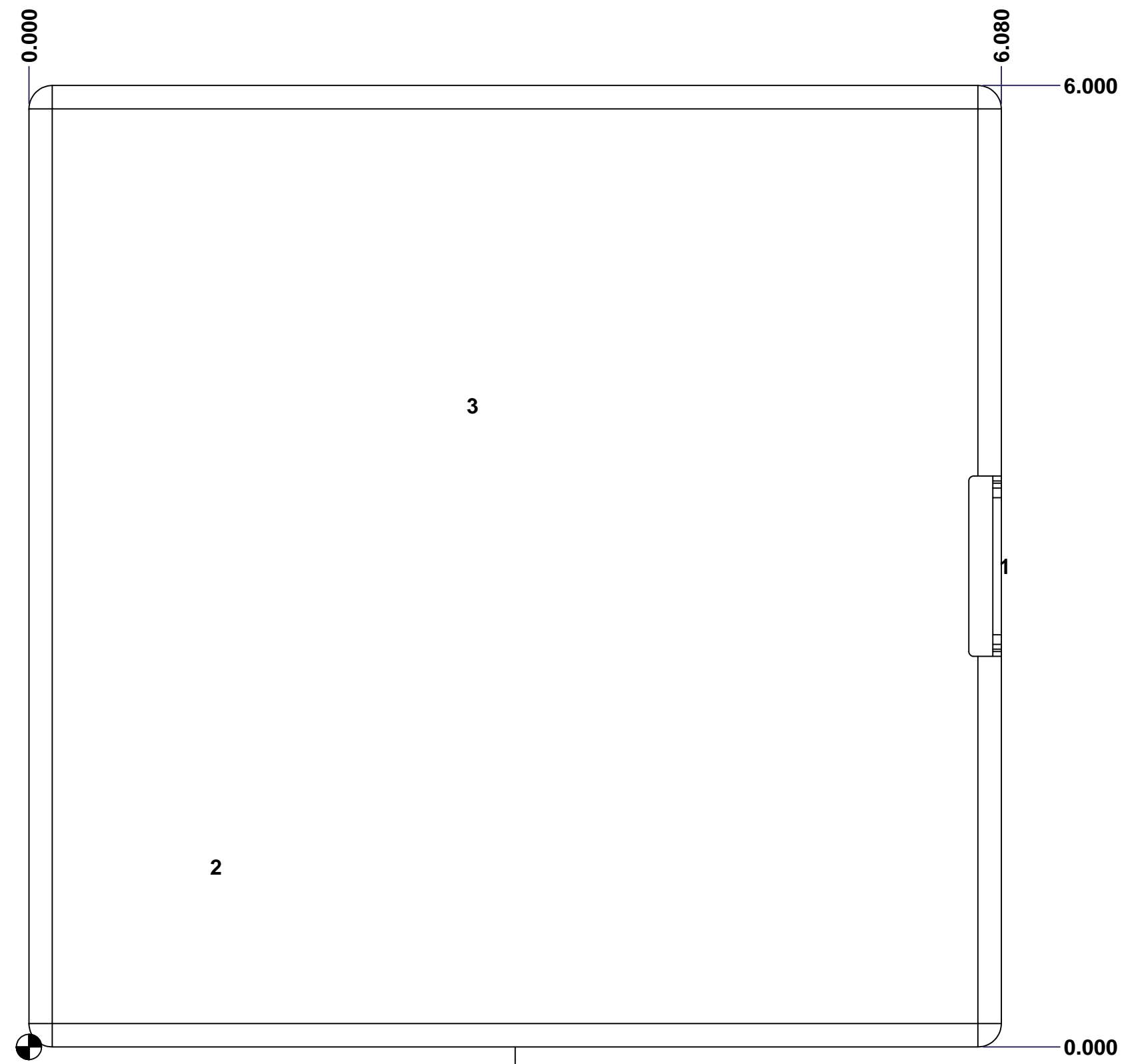
| | | |
|--|---------------------------|---|
|  Tél: (450) 979-4373 Fax: (450) 979-4626 www.exmweb.com | | Flatness Aplatissement Max 3.0mm Projection  |
| Customer Client | Date | |
| Drawn By Dessiné Par | BoxCad: BoxCad | Date 22-Dec-21 |
| Material Matière | Aluminum 5052-H32 (1.4mm) | |
| Color Couleur | Asa-61 Grey | Finish Fini Smooth |
| Description | Detail Rev. | |
| 5412EALCH 6" x 6" Cover | | |
| Part Number Numéro Pièce | Rev. 0 | 1 / 3 |
| 5412EALCH060604NOIPC | | |

SEE BILL OF MATERIAL ON LAST PAGE

This drawing is confidential and must not be reproduced or used without the consent of EXM

Ce dessin est confidentiel et ne doit pas être reproduit ou utilisé sans le consentement de EXM

| STANDARD FEATURES ARE NOT LISTED IN THIS HOLE TABLE | | | |
|---|-------|-------|-----------------------------|
| HOLE TABLE - FRONT VIEW (CUSTOM FEATURE ONLY) | | | |
| CUT-OUT | XDIM | YDIM | DESCRIPTION |
| 1 | 6.080 | 3.000 | LOCK 880 SCQ2MS @ 0.0° |
| 2 | 1.145 | 1.125 | STANDOFF M6 x 10mm (Inside) |
| 3 | 2.750 | 4.000 | LABEL_EXM |



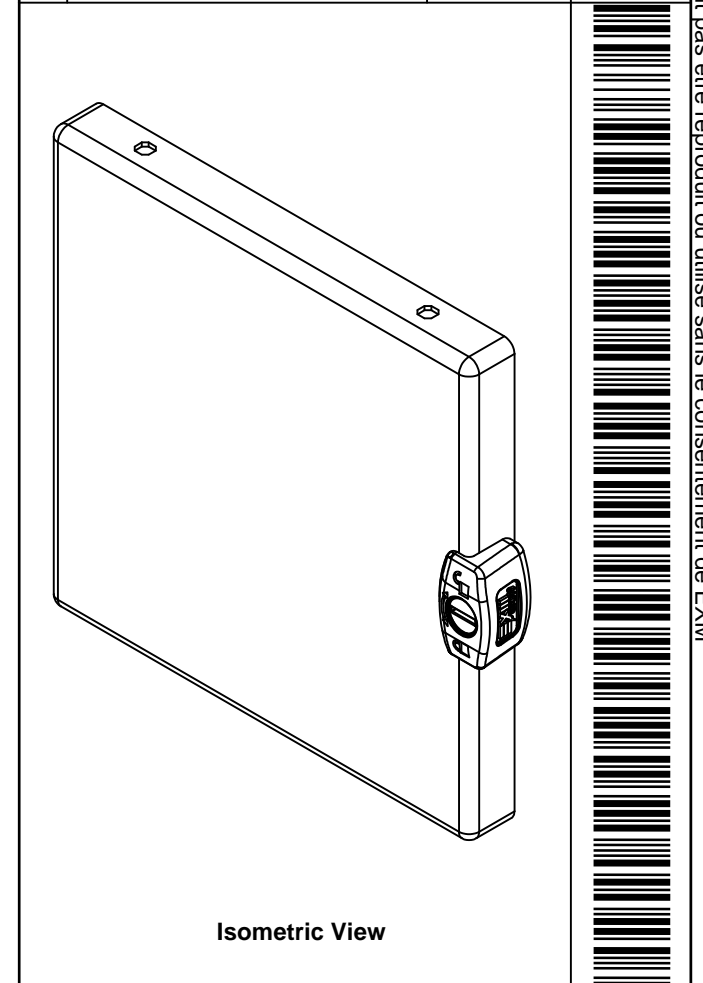
FRONT

| | | | |
|--|-----------------------------|----------|--------|
| | Description | Status | |
| | 5412EALCH 6" x 6" Cover | (NULL) | |
| | Part Number Numéro Pièce | Rev. | |
| | 5412EALCH060604NOIPC | 0 | 2 3 |

This drawing is confidential and must not be reproduced or used without the consent of EXM

Ce dessin est confidentiel et ne doit pas être reproduit ou utilisé sans le consentement de EXM

| No. | Revisions | Date | By/Par |
|-----|-----------|------|--------|
| | | | |
| | | | |
| | | | |
| | | | |
| | | | |




 Tél: (450) 979-4373
 Fax: (450) 979-4626
www.exmweb.com

Flatness / Aplatissement:  Max 3.0mm
 Projection: 

| Qty | Part Number | Rev | Description |
|------------|-------------------------|-----|---|
| 1 | STK-S-00100 | 0 | 3.5" x 2" Silver Milar Flexcon Sticker |
| 1 | 5412EALCH060604NOIP G | 0 | 5412EALCH 6" x 6" Gasket |
| 1 | STK-Q-08400 | 4 | Aluminum Standoff M6 x 10mm |
| 1 | 880SCQ2S | 3 | 5412 ESMCH - External Lock Assy - Slot Lock |
| 1 | STK-P-02400S | 0 | Powder Paint (Asa-61 Grey / Smooth) |
| 1 | 5412EALCH060604NOIP C-P | 0 | 5412EALCH 6" x 6" Cover Part |
| 2 | STK-A-33038 | 3 | 5412 ESSMCH - Stainless Steel Hinge |
| Parts List | | | |

| | |
|---|-----------------------|
| Customer Client | Date |
| Drawn By / Dessiné Par: BoxCad: BoxCad | Date: 22-Dec-21 |
| Material / Matière: Aluminum 5052-H32 (1.4mm) | |
| Color / Couleur: Asa-61 Grey | Finish / Fini: Smooth |
| Description: 5412EALCH 6" x 6" Cover | |
| Part Number / Numéro Pièce: 5412EALCH060604NOIPC | Rev. 3 |
| | 0 / 3 |