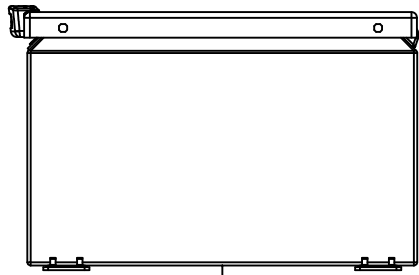
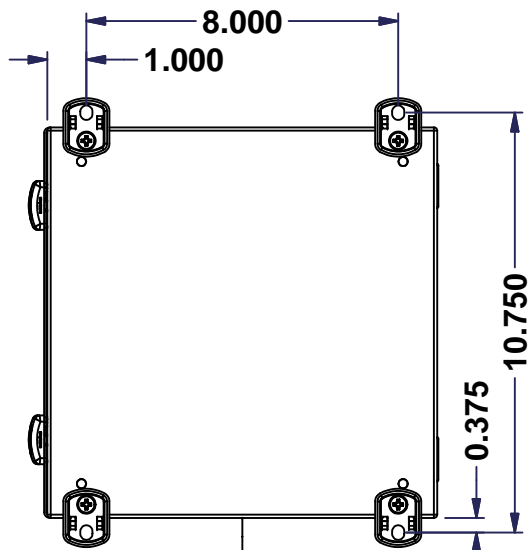


This drawing is confidential and must not be reproduced or used without the consent of EXM

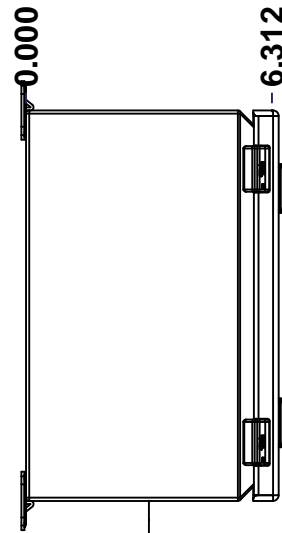
Ce dessin est confidentiel et ne doit pas être reproduit ou utilisé sans le consentement de EXM



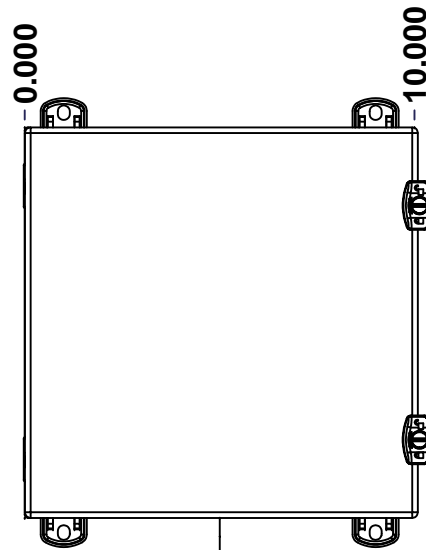
TOP



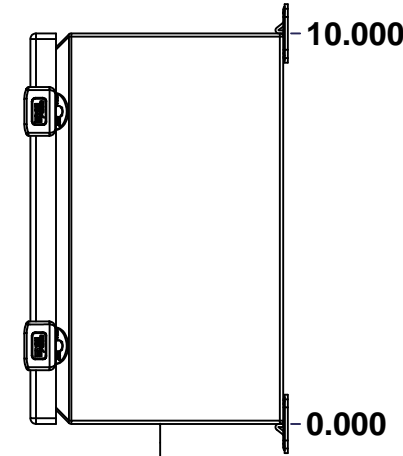
BACK



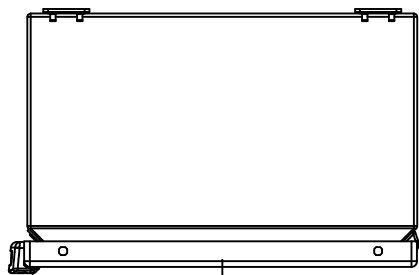
LEFT



FRONT

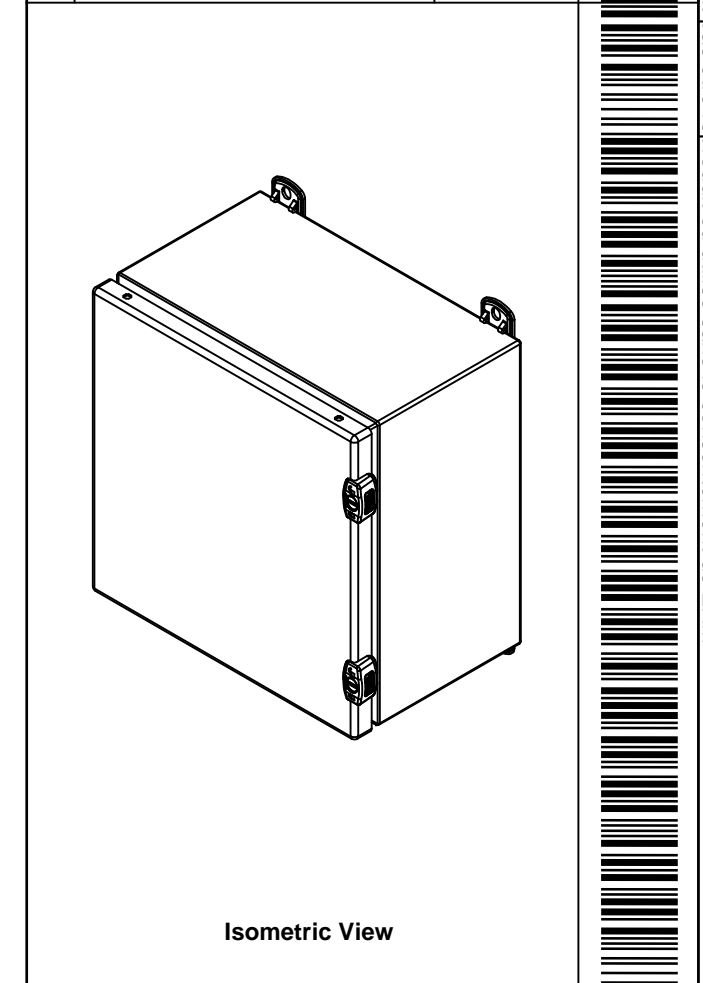


RIGHT

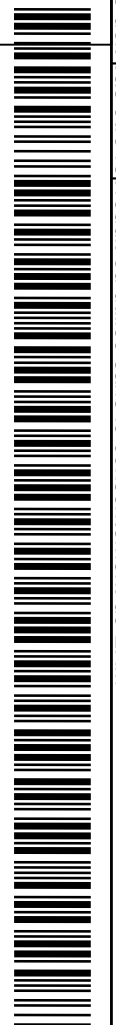


BOTTOM

No.	Revisions	Date	By/Par



Isometric View



		Tél: (450) 979-4373 Fax: (450) 979-4626 <a href="http://www.exmweb.com">www.exmweb.com</a>		Flatness Aplatissement Max 3.0mm
Customer Client		Date		Projection 
Drawn By Dessiné Par		BoxCad: BoxCad		Date 22-Dec-21
Material Matière		Aluminum 5052-H32 (1.4mm)		
Color Couleur		Asa-61 Grey		Finish Fini Smooth
Description 5412EALCH 10" x 10" x 6" Assembly				Detail Rev.
Part Number Numéro Pièce		5412EALCH101006NOIP		Rev. 1 2

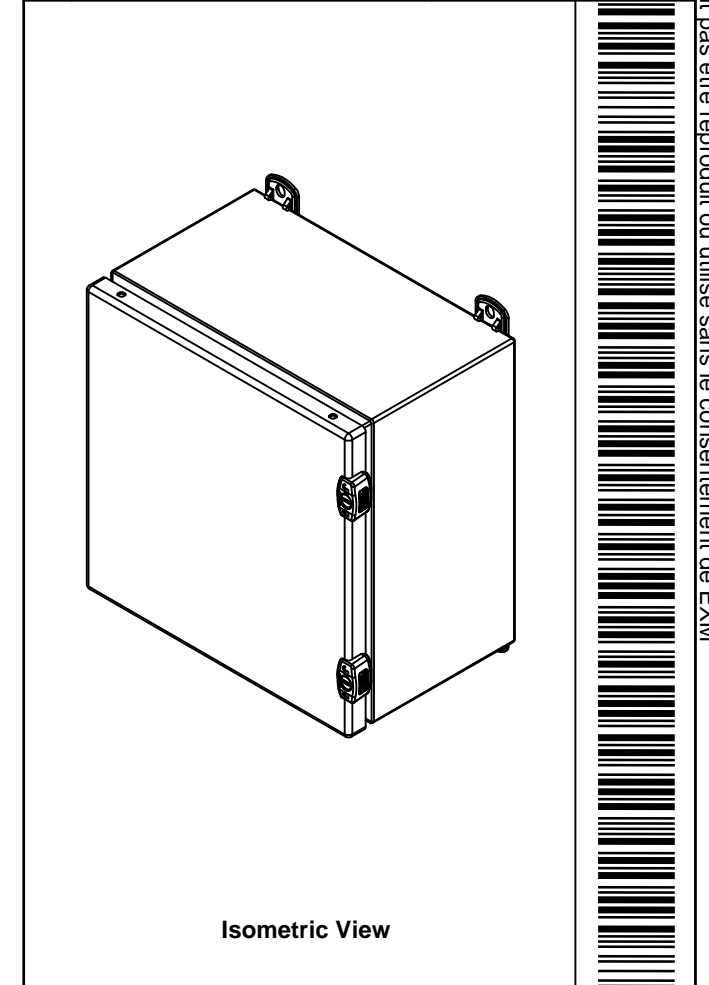
SEE BILL OF MATERIAL ON LAST PAGE

This drawing is confidential and must not be reproduced or used without the consent of EXM

Ce dessin est confidentiel et ne doit pas être reproduit ou utilisé sans le consentement de EXM

NOTE	
ITEM	DESCRIPTION
1	NEMA 4X Enclosure
2	C/W Standard ground standoffs on box and cover
3	W/O Standard door stiffener
4	W/O Inner panel
5	C/W Standard inner panel mounting standoffs
6	C/W 885 ESCHMF2 Mounting Feet (Installed)

No.	Revisions	Date	By/Par



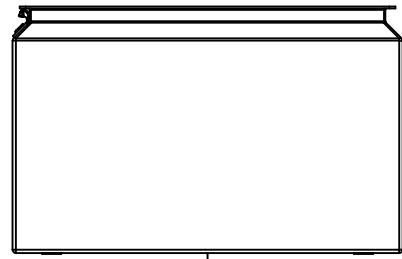
		Tél: (450) 979-4373 Fax: (450) 979-4626 <a href="http://www.exmweb.com">www.exmweb.com</a>		Flatness Aplatissement Max 3.0mm Projection 	
Customer Client		Date		Date 22-Dec-21	
Drawn By Dessiné Par		BoxCad: BoxCad		Date 22-Dec-21	
Material Matière		Aluminum 5052-H32 (1.4mm)			
Color Couleur		Asa-61 Grey		Finish Fini Smooth	
Description				Detail Rev.	
5412EALCH 10" x 10" x 6" Assembly					
Part Number Numéro Pièce		5412EALCH101006NOIP		Rev. 0	

PACKING		
ITEM	QTY	DESCRIPTION
STK-E-04313	1	CARTON 5412 ESCH101006
Plastic bag	1	To protect cover surface and inside gasket
Packaging label	1	White label with product number
STK-S-01100	1	ESCH EXM SQUARE STICKER

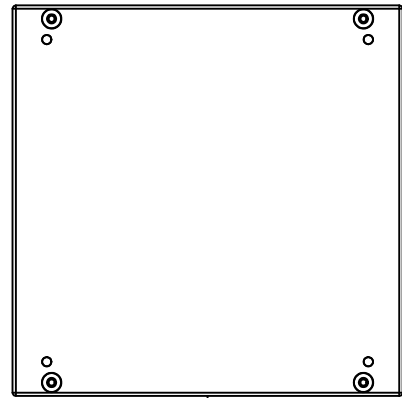
Qty	Part Number	Rev	Description
1	5412EALCH101006NOIP C	0	5412EALCH 10" x 10" Cover
1	STK-K-02910	3	5412 ESCH Accessory Kit
1	885 ESSCHMFQ	0	5412 ESSCH Mounting Feet Accessory Kit
1	5412EALCH101006NOIPB	0	5412EALCH 10" x 10" x 6" Body
2	STK-Q-08100	1	M5 Nylon Insert Lock Nut
Parts List			

This drawing is confidential and must not be reproduced or used without the consent of EXM

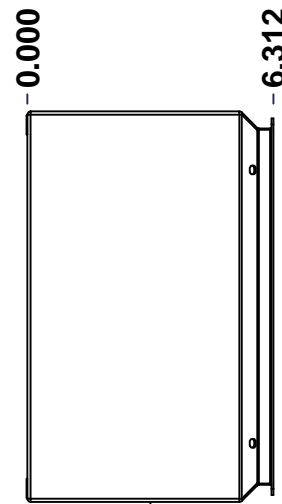
Ce dessin est confidentiel et ne doit pas être reproduit ou utilisé sans le consentement de EXM



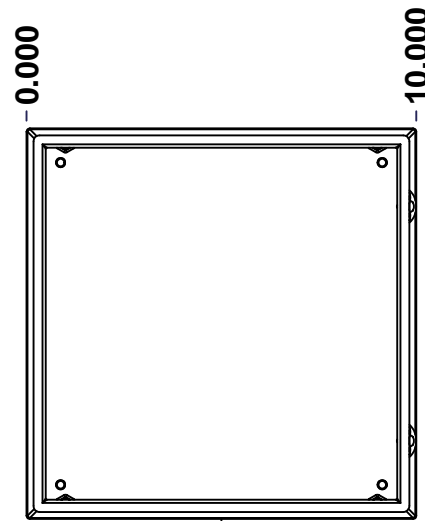
TOP



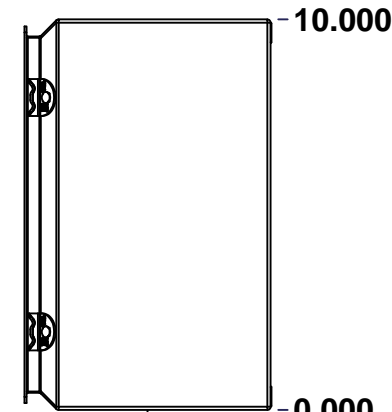
BACK



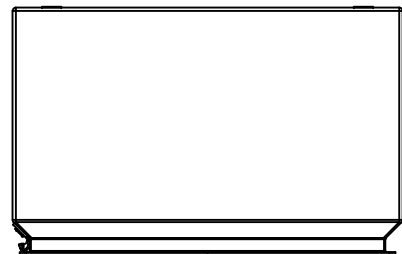
LEFT



FRONT

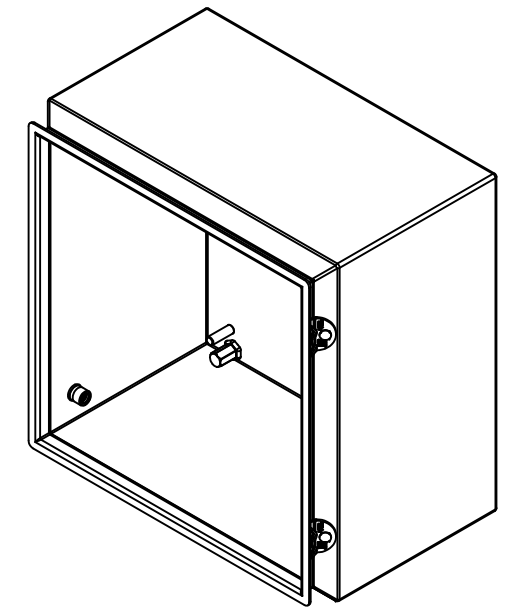


RIGHT



BOTTOM

No.	Revisions	Date	By/Par



Isometric View



Tél: (450) 979-4373  
 Fax: (450) 979-4626  
[www.exmweb.com](http://www.exmweb.com)

Flatness  
Aplatissement  
Max 3.0mm  
Projection

Customer Client	Date
Drawn By Dessiné Par BoxCad: BoxCad	Date 22-Dec-21
Material Matière Aluminum 5052-H32 (1.4mm)	
Color Couleur Asa-61 Grey	Finish Fini Smooth
Description 5412EALCH 10" x 10" x 6" Body	Detail Rev.
Part Number Numéro Pièce <b>5412EALCH101006NOIPB</b>	Rev. <b>0</b>

SEE BILL OF MATERIAL ON LAST PAGE

1  
7

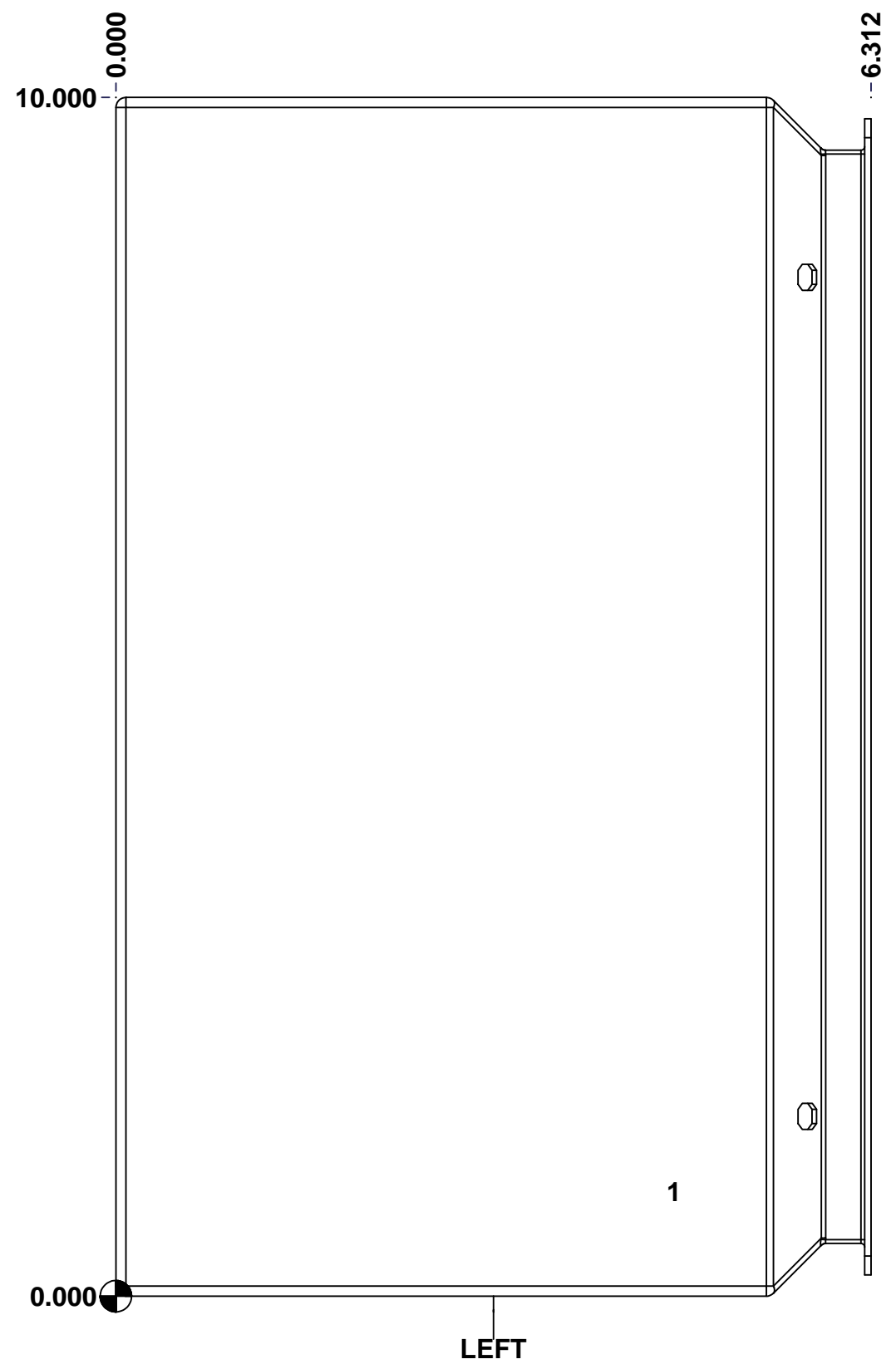
This drawing is confidential and must not be reproduced or used without the consent of EXM

Ce dessin est confidentiel et ne doit pas être reproduit ou utilisé sans le consentement de EXM

**STANDARD FEATURES ARE NOT LISTED IN THIS HOLE TABLE**

**HOLE TABLE - LEFT VIEW (CUSTOM FEATURE ONLY)**

CUT-OUT	XDIM	YDIM	DESCRIPTION
1	4.625	0.875	STANDOFF M6 x 10mm (Inside)



	Description		Status	
	5412EALCH 10" x 10" x 6" Body		(NULL)	
Part Number Numéro Pièce		Rev.	5	7
<b>5412EALCH101006NOIPB</b>		<b>0</b>		

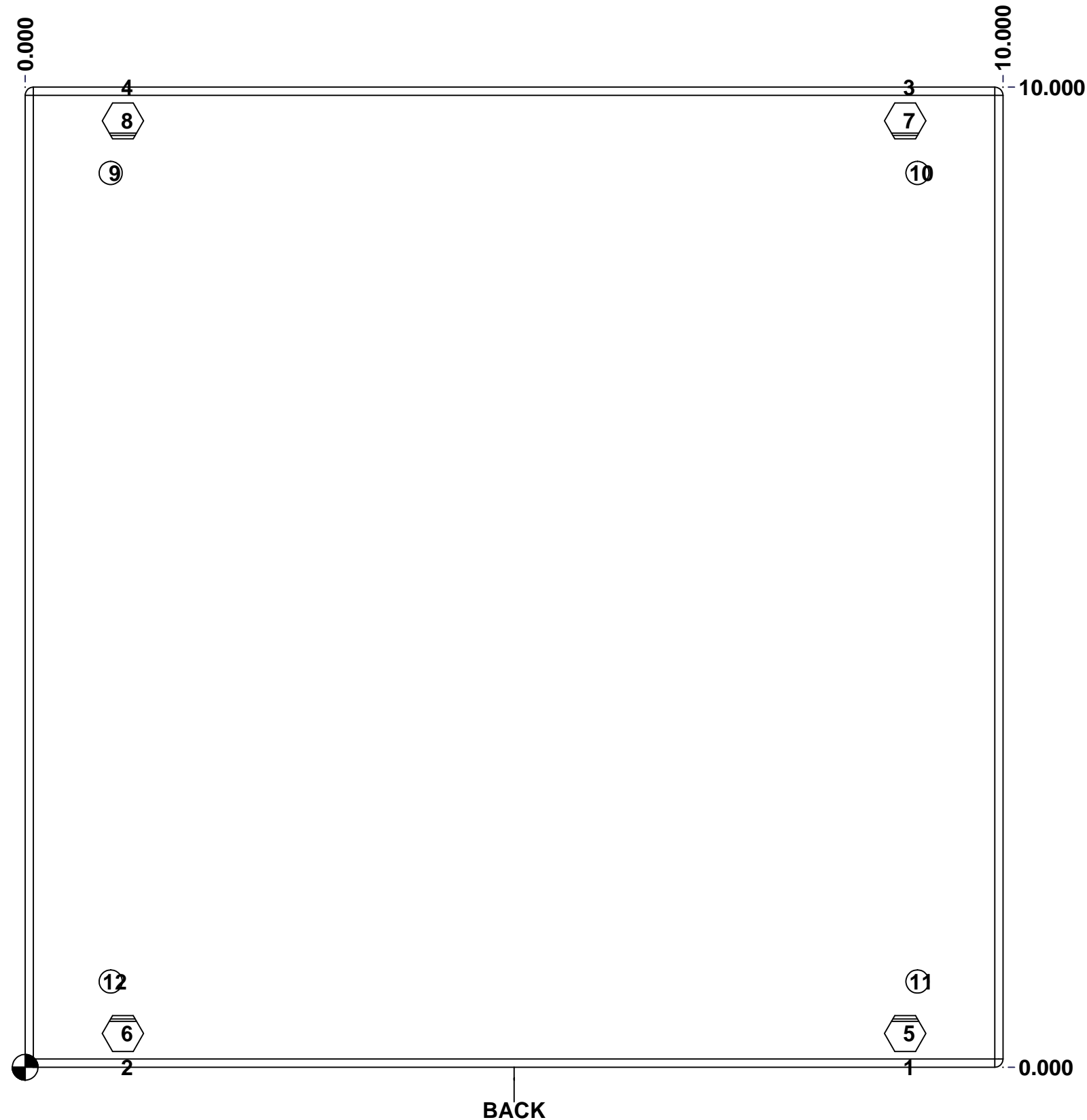
This drawing is confidential and must not be reproduced or used without the consent of EXM

Ce dessin est confidentiel et ne doit pas être reproduit ou utilisé sans le consentement de EXM

**STANDARD FEATURES ARE NOT LISTED IN THIS HOLE TABLE**

**HOLE TABLE - BACK VIEW (CUSTOM FEATURE ONLY)**

CUT-OUT	XDIM	YDIM	DESCRIPTION
1	9.000	0.000	FOOT 885 ESCHMF2
2	1.000	0.000	FOOT 885 ESCHMF2
3	9.000	10.000	FOOT 885 ESCHMF2
4	1.000	10.000	FOOT 885 ESCHMF2
5	9.000	0.344	RIVET NUT M6_FH_CE (Inside)
6	1.000	0.344	RIVET NUT M6_FH_CE (Inside)
7	9.000	9.656	RIVET NUT M6_FH_CE (Inside)
8	1.000	9.656	RIVET NUT M6_FH_CE (Inside)
9	0.875	9.125	PEM FHS-M6-20 (Inside)
10	9.125	9.125	PEM FHS-M6-20 (Inside)
11	9.125	0.875	PEM FHS-M6-20 (Inside)
12	0.875	0.875	PEM FHS-M6-20 (Inside)

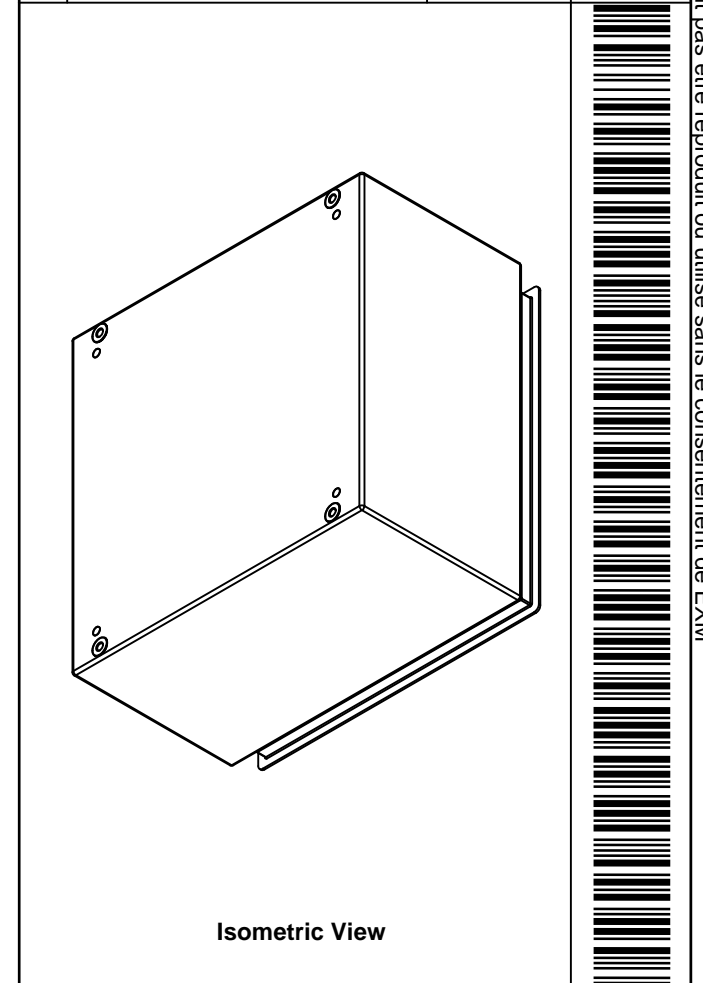


	Description	Status
	5412EALCH 10" x 10" x 6" Body	(NULL)
Part Number Numéro Pièce <b>5412EALCH101006NOIPB</b>	Rev.	6
	<b>0</b>	7

This drawing is confidential and must not be reproduced or used without the consent of EXM

Ce dessin est confidentiel et ne doit pas être reproduit ou utilisé sans le consentement de EXM

No.	Revisions	Date	By/Par



Isometric View




 Tél: (450) 979-4373  
 Fax: (450) 979-4626  
[www.exmweb.com](http://www.exmweb.com)

Flatness / Aplatissement:  Max 3.0mm  
 Projection: 

Customer / Client:   
 Date: 22-Dec-21

Drawn By / Dessiné Par: BoxCad: BoxCad

Material / Matière: Aluminum 5052-H32 (1.4mm)

Color / Couleur: Asa-61 Grey      Finish / Fini: Smooth

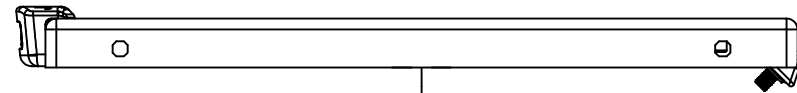
Description: 5412EALCH 10" x 10" x 6" Body

Qty	Part Number	Rev	Description
4	STK-PEM-FHS-M6-20	0	SS PEM Self-Clinching Stud M6 x 20.0mm
4	RIVET_NUT_SS_M6_FH_CE	0	Stainless Steel Rivet Nut M6 (Low Profile Close End)
1	STK-Q-08400	4	Aluminum Standoff M6 x 10mm
1	5412EALCH101006NOIPB-P	0	5412EALCH 10" x 10" x 6" Body Part
1	STK-P-02400S	0	Powder Paint (Asa-61 Grey / Smooth)
2	STK-A-70469	6	5412 ESSMCH - Stainless Steel 316 Body Catch Assembly
2	STK-Q-08100	1	M5 Nylon Insert Lock Nut
Parts List			

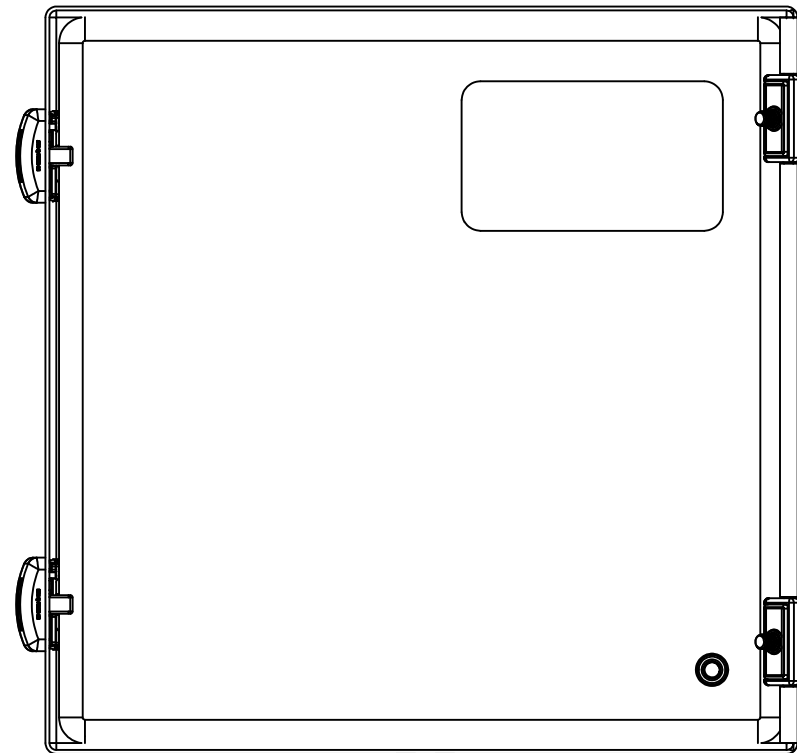
Part Number / Numéro Pièce: **5412EALCH101006NOIPB**      Rev. / Révisé: **0**      7/7

This drawing is confidential and must not be reproduced or used without the consent of EXM

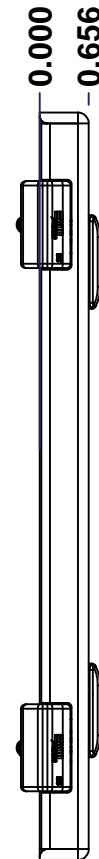
Ce dessin est confidentiel et ne doit pas être reproduit ou utilisé sans le consentement de EXM



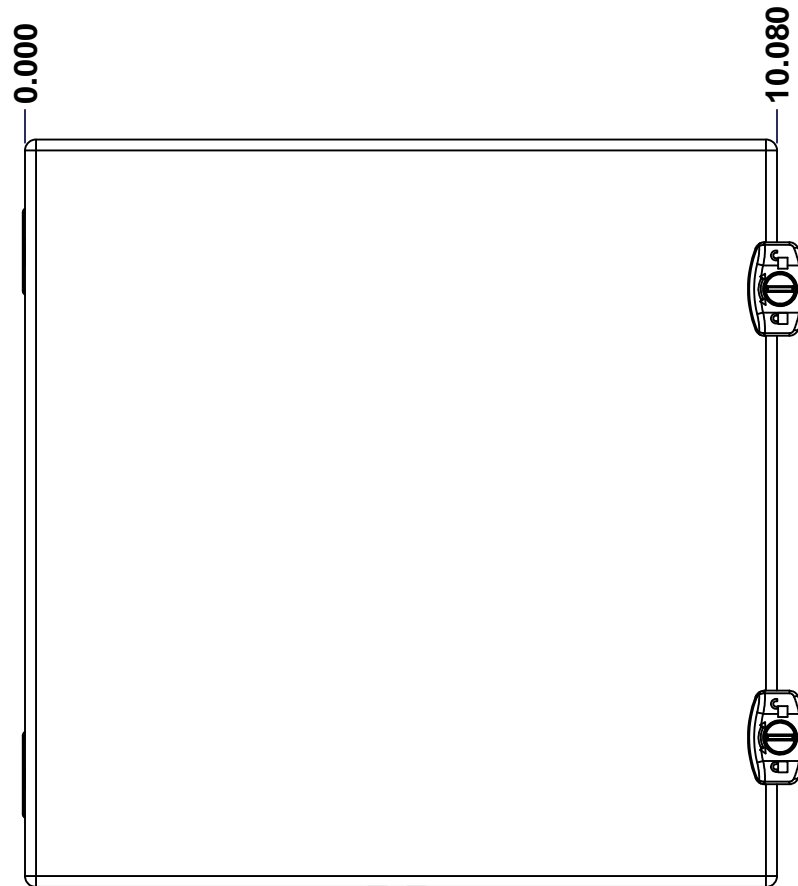
TOP



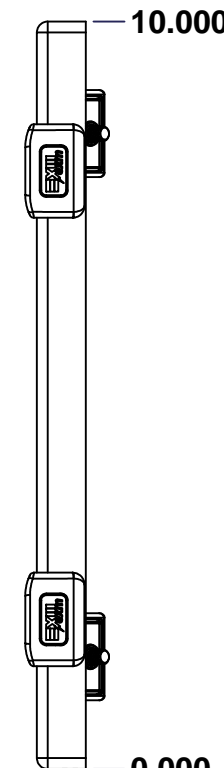
BACK



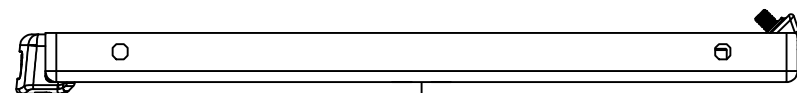
LEFT



FRONT

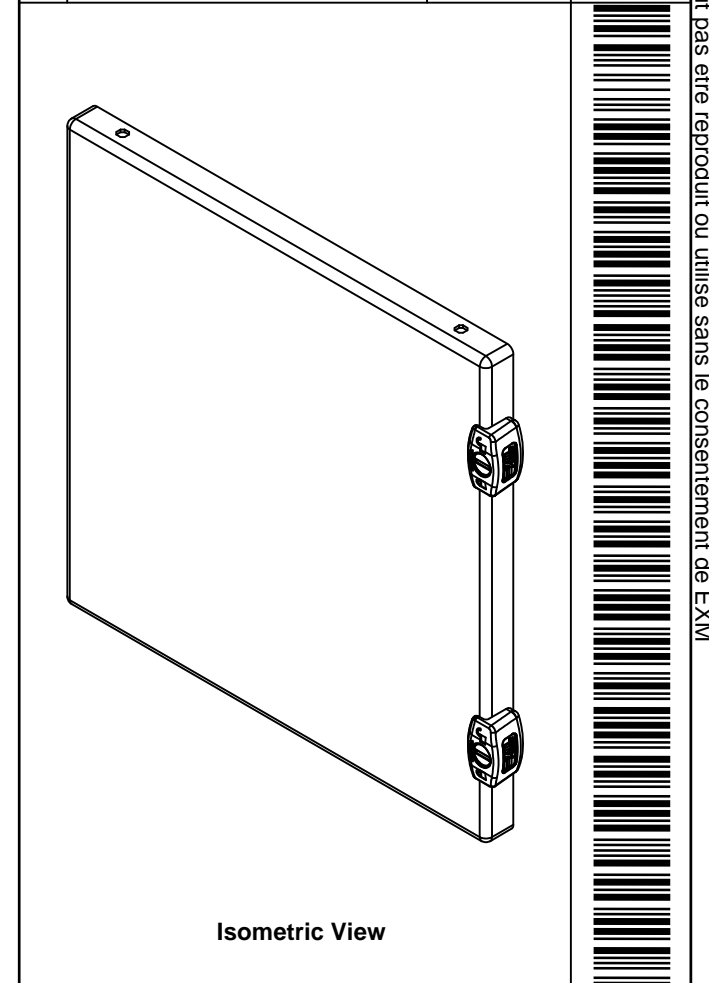


RIGHT



BOTTOM

No.	Revisions	Date	By/Par



Tél: (450) 979-4373 Fax: (450) 979-4626 <a href="http://www.exmweb.com">www.exmweb.com</a>		Flatness Aplatissement Max 3.0mm Projection 
Customer Client	Date	
Drawn By Dessiné Par	BoxCad: BoxCad	Date 22-Dec-21
Material Matière	Aluminum 5052-H32 (1.4mm)	
Color Couleur	Asa-61 Grey	Finish Fini Smooth
Description	Detail Rev.	
5412EALCH 10" x 10" Cover		
Part Number Numéro Pièce	Rev. 0	1 / 3

SEE BILL OF MATERIAL ON LAST PAGE

**5412EALCH101006NOIPC**

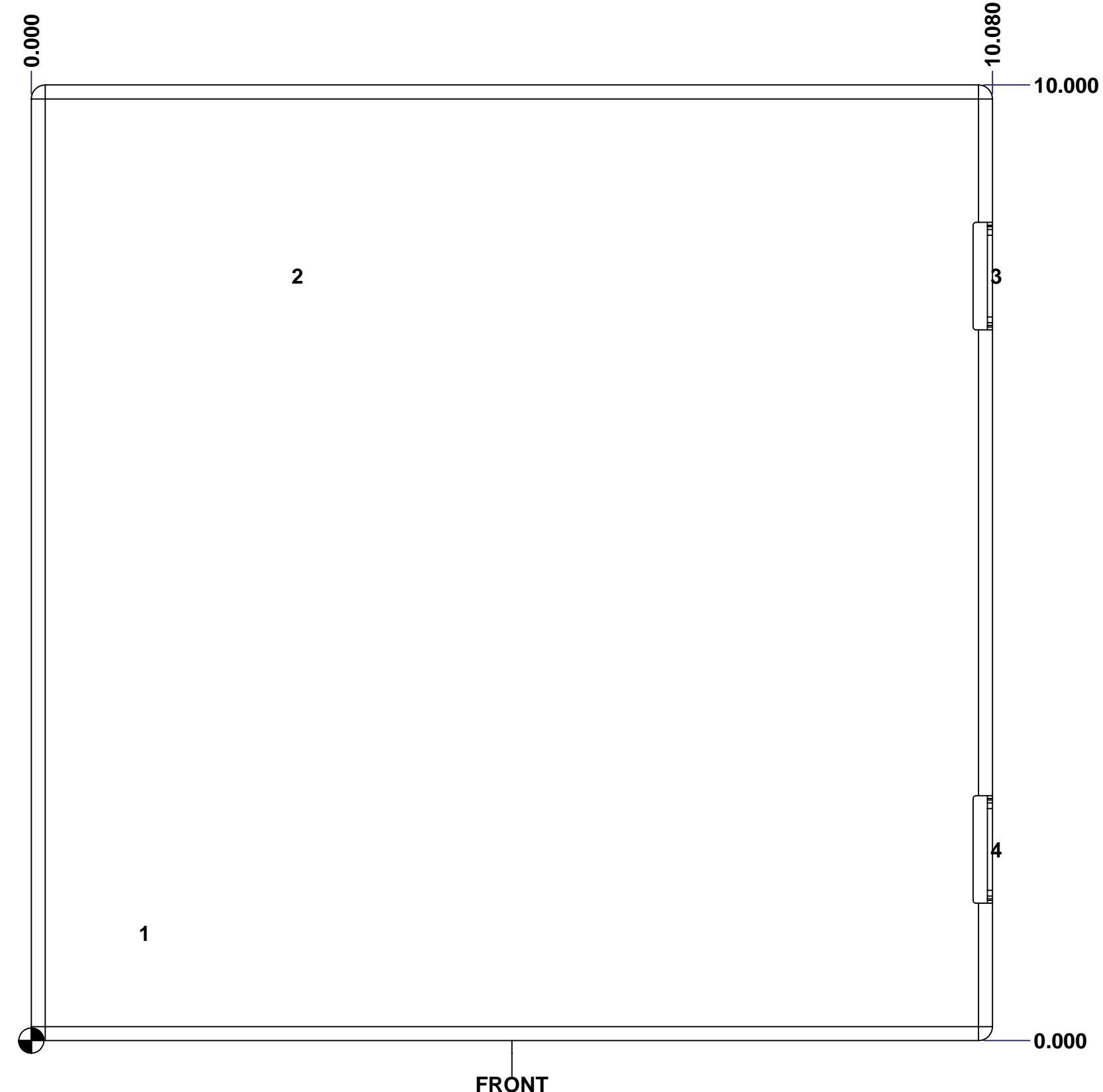
This drawing is confidential and must not be reproduced or used without the consent of EXM

Ce dessin est confidentiel et ne doit pas être reproduit ou utilisé sans le consentement de EXM

**STANDARD FEATURES ARE NOT LISTED IN THIS HOLE TABLE**

**HOLE TABLE - FRONT VIEW (CUSTOM FEATURE ONLY)**

CUT-OUT	XDIM	YDIM	DESCRIPTION
1	1.145	1.125	STANDOFF M6 x 10mm (Inside)
2	2.750	8.000	LABEL_EXM
3	10.080	8.000	LOCK 880 SCQ2MS @ 0.0°
4	10.080	2.000	LOCK 880 SCQ2MS @ 0.0°



FRONT

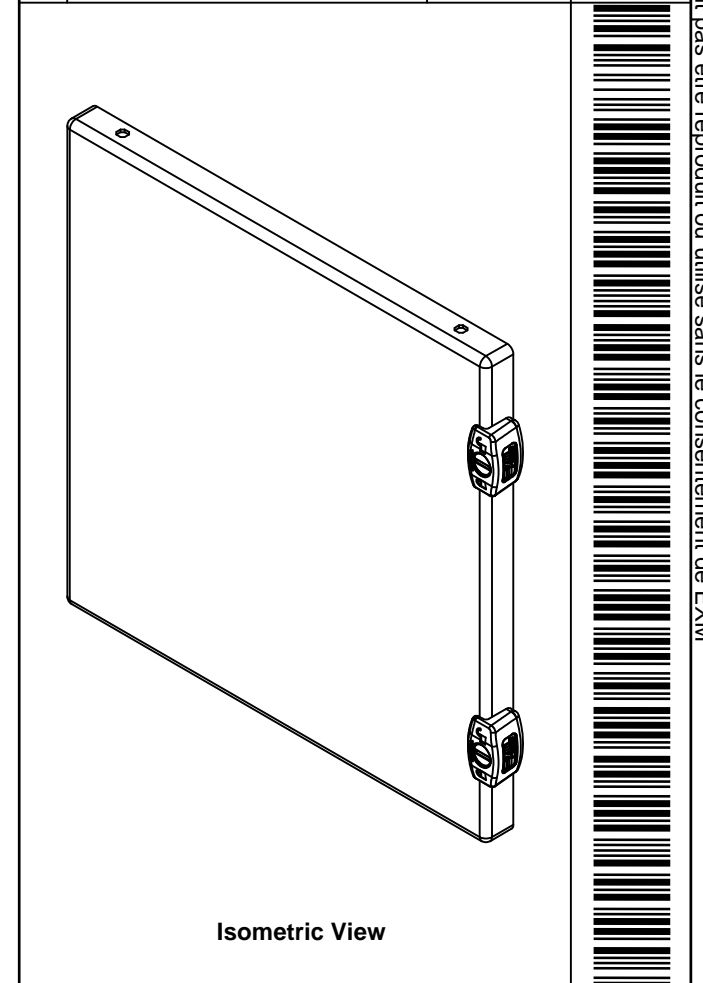
	Description	Status
	5412EALCH 10" x 10" Cover	(NULL)
	Part Number Numéro Pièce	Rev.
	<b>5412EALCH101006NOIPC</b>	<b>0</b>
		2
		3



This drawing is confidential and must not be reproduced or used without the consent of EXM

Ce dessin est confidentiel et ne doit pas être reproduit ou utilisé sans le consentement de EXM

No.	Revisions	Date	By/Par




 Tél: (450) 979-4373  
 Fax: (450) 979-4626  
[www.exmweb.com](http://www.exmweb.com)

Flatness / Aplatissement:  Max 3.0mm  
 Projection: 

Customer / Client: \_\_\_\_\_ Date: \_\_\_\_\_  
 Drawn By / Dessiné Par: BoxCad: BoxCad Date: 22-Dec-21

Material / Matière: Aluminum 5052-H32 (1.4mm)

Color / Couleur: Asa-61 Grey Finish / Fini: Smooth

Description: 5412EALCH 10" x 10" Cover  
 Detail Rev.:

Part Number / Numéro Pièce: **5412EALCH101006NOIPC** Rev. 3  
**0** 3

Qty	Part Number	Rev	Description
1	5412EALCH101006NOIP G	0	5412EALCH 10" x 10" Gasket
1	STK-S-00100	0	3.5" x 2" Silver Milar Flexcon Sticker
1	STK-Q-08400	4	Aluminum Standoff M6 x 10mm
1	STK-P-02400S	0	Powder Paint (Asa-61 Grey / Smooth)
1	5412EALCH101006NOIP C-P	0	5412EALCH 10" x 10" Cover Part
2	STK-A-33038	3	5412 ESSMCH - Stainless Steel Hinge
2	880SCQ2S	3	5412 ESMCH - External Lock Assy - Slot Lock
Parts List			