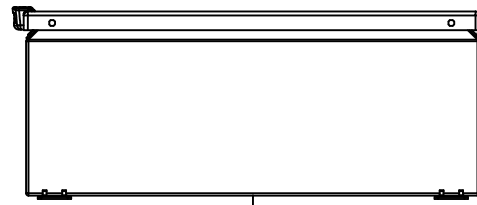
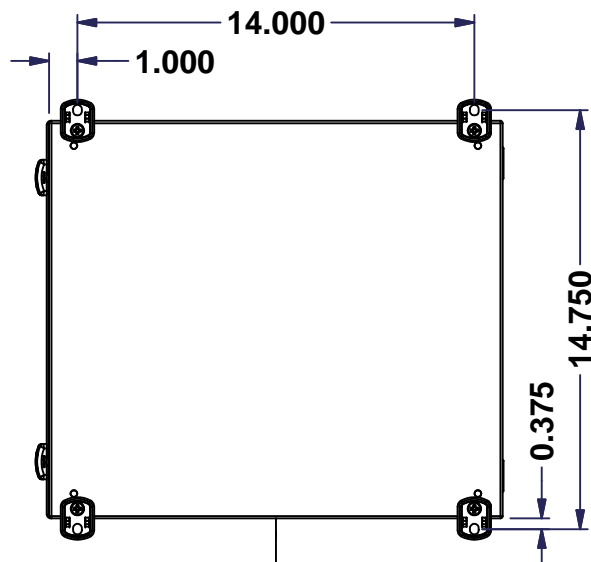


This drawing is confidential and must not be reproduced or used without the consent of EXM

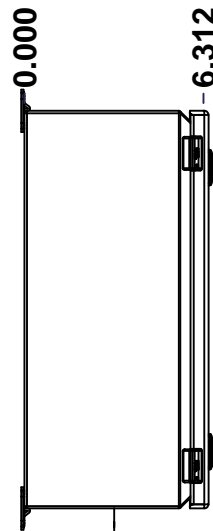
Ce dessin est confidentiel et ne doit pas être reproduit ou utilisé sans le consentement de EXM



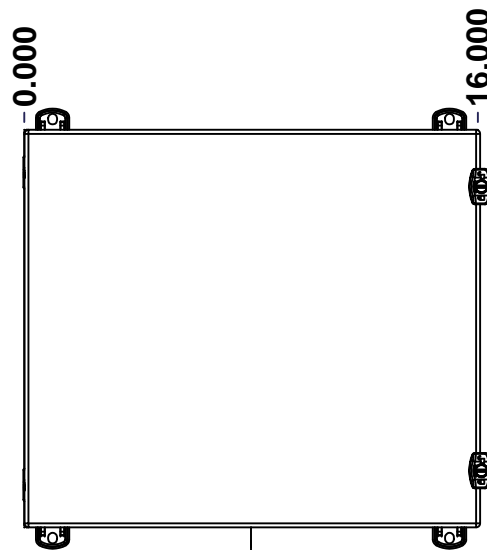
TOP



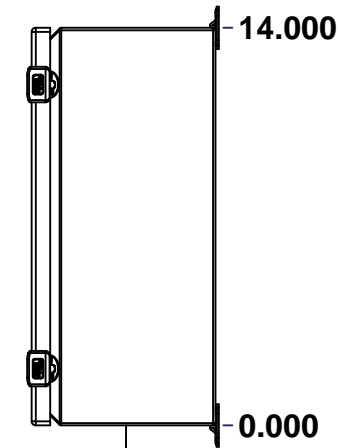
BACK



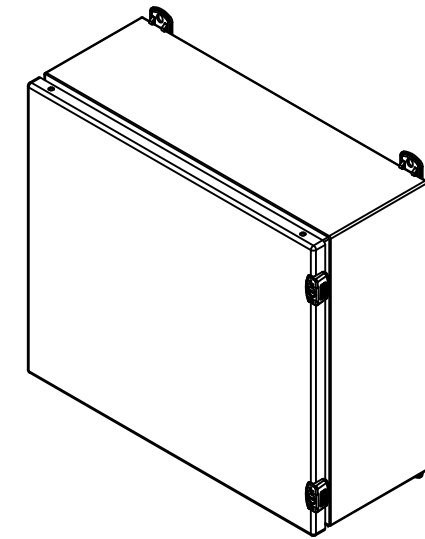
LEFT



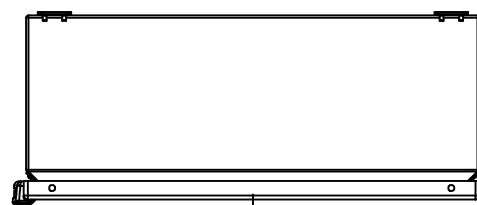
FRONT



RIGHT



Isometric View



BOTTOM

No.	Revisions	Date	By/Par



Tél: (450) 979-4373
 Fax: (450) 979-4626
www.exmweb.com

Flatness
Aplatissement
Max 3.0mm
Projection

Customer Client	Date
Drawn By / Dessiné Par: BoxCad: BoxCad	Date: 03-Jan-22
Material / Matière: Aluminum 5052-H32 (1.4mm)	
Color / Couleur: Asa-61 Grey	Finish / Fini: Smooth
Description: 5412EALCH 14" x 16" x 6" Assembly	Detail Rev.
Part Number / Numéro Pièce: 5412EALCH141606NOIP	Rev. 0

SEE BILL OF MATERIAL ON LAST PAGE

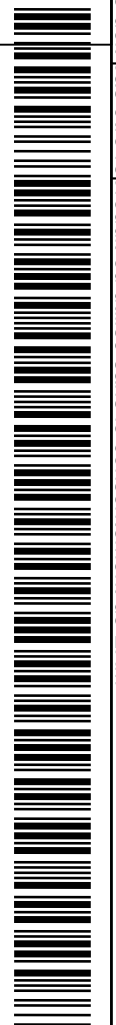
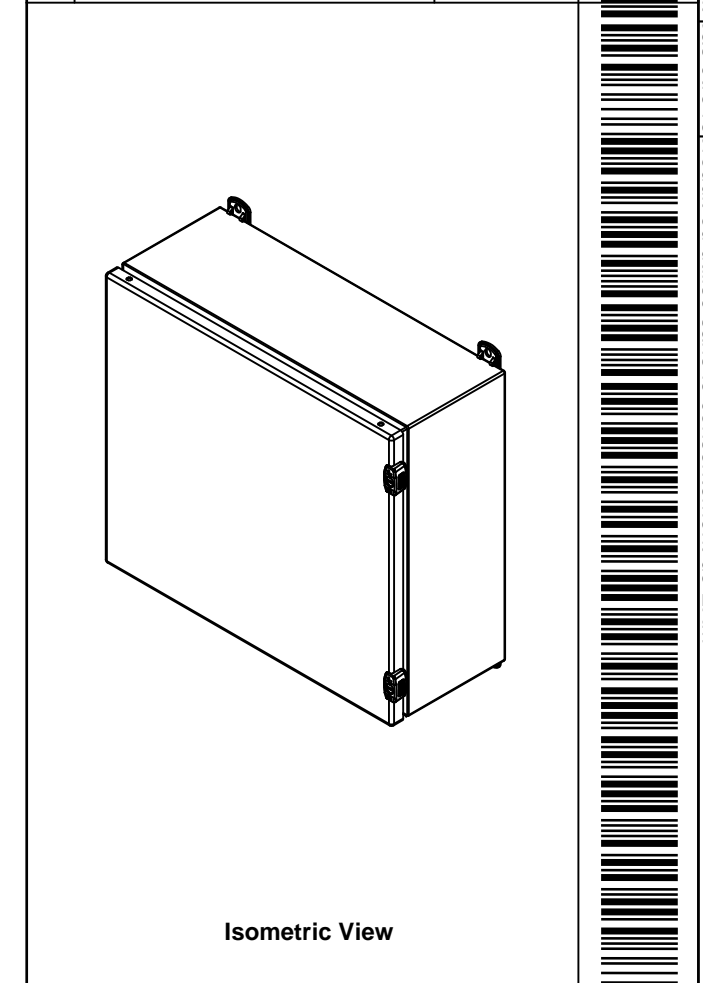
1
2

This drawing is confidential and must not be reproduced or used without the consent of EXM

Ce dessin est confidentiel et ne doit pas être reproduit ou utilisé sans le consentement de EXM

NOTE	
ITEM	DESCRIPTION
1	NEMA 4X Enclosure
2	C/W Standard ground standoffs on box and cover
3	W/O Standard door stiffener
4	W/O Inner panel
5	C/W Standard inner panel mounting standoffs
6	C/W 885 ESCHMF2 Mounting Feet (Installed)

No.	Revisions	Date	By/Par



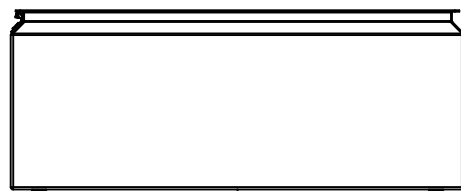
	Tél: (450) 979-4373 Fax: (450) 979-4626 www.exmweb.com	Flatness Aplatissement Max 3.0mm
		Projection
Customer Client	Date	
Drawn By Dessiné Par	BoxCad: BoxCad	Date 03-Jan-22
Material Matière	Aluminum 5052-H32 (1.4mm)	
Color Couleur	Asa-61 Grey	Finish Fini Smooth
Description	5412EALCH 14" x 16" x 6" Assembly	
Part Number Numéro Pièce	5412EALCH141606NOIP	Rev. 0

PACKING		
ITEM	QTY	DESCRIPTION
STK-E-04324	1	CARTON 5412 ESCH141606
Plastic bag	1	To protect cover surface and inside gasket
Packaging label	1	White label with product number
STK-S-01100	1	ESCH EXM SQUARE STICKER

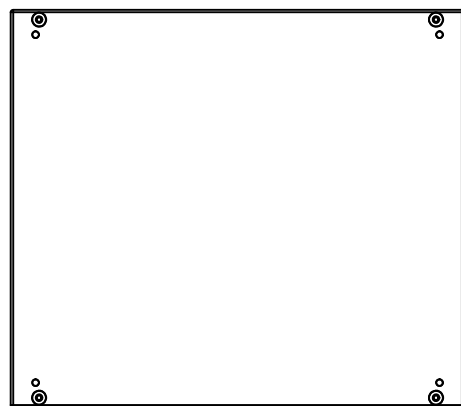
Qty	Part Number	Rev	Description
1	5412EALCH141606NOIP C	0	5412EALCH 14" x 16" Cover
1	STK-K-02910	3	5412 ESCH Accessory Kit
1	885 ESSCHMFQ	0	5412 ESSCH Mounting Feet Accessory Kit
1	5412EALCH141606NOIPB	0	5412EALCH 14" x 16" x 6" Body
2	STK-Q-08100	1	M5 Nylon Insert Lock Nut
Parts List			

This drawing is confidential and must not be reproduced or used without the consent of EXM

Ce dessin est confidentiel et ne doit pas être reproduit ou utilisé sans le consentement de EXM



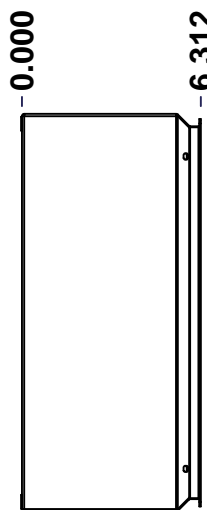
TOP



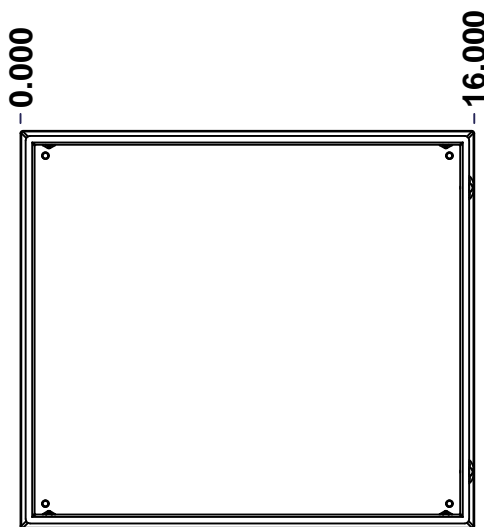
BACK



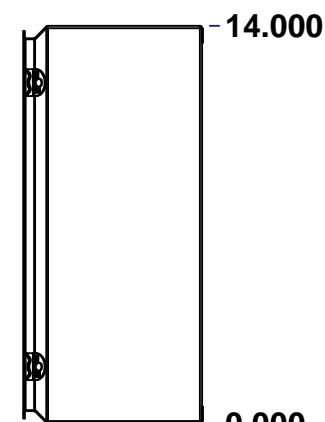
BOTTOM



LEFT

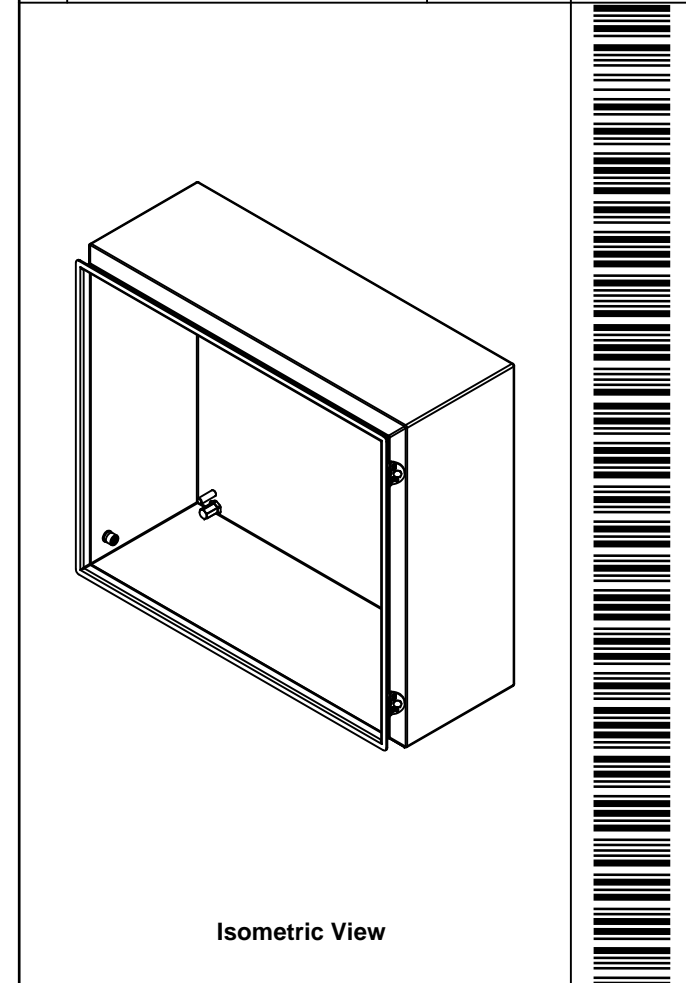


FRONT



RIGHT

No.	Revisions	Date	By/Par



Isometric View

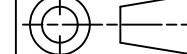


Tél: (450) 979-4373
 Fax: (450) 979-4626
www.exmweb.com

Flatness
Aplatisse

Max 3.0mm

Projection



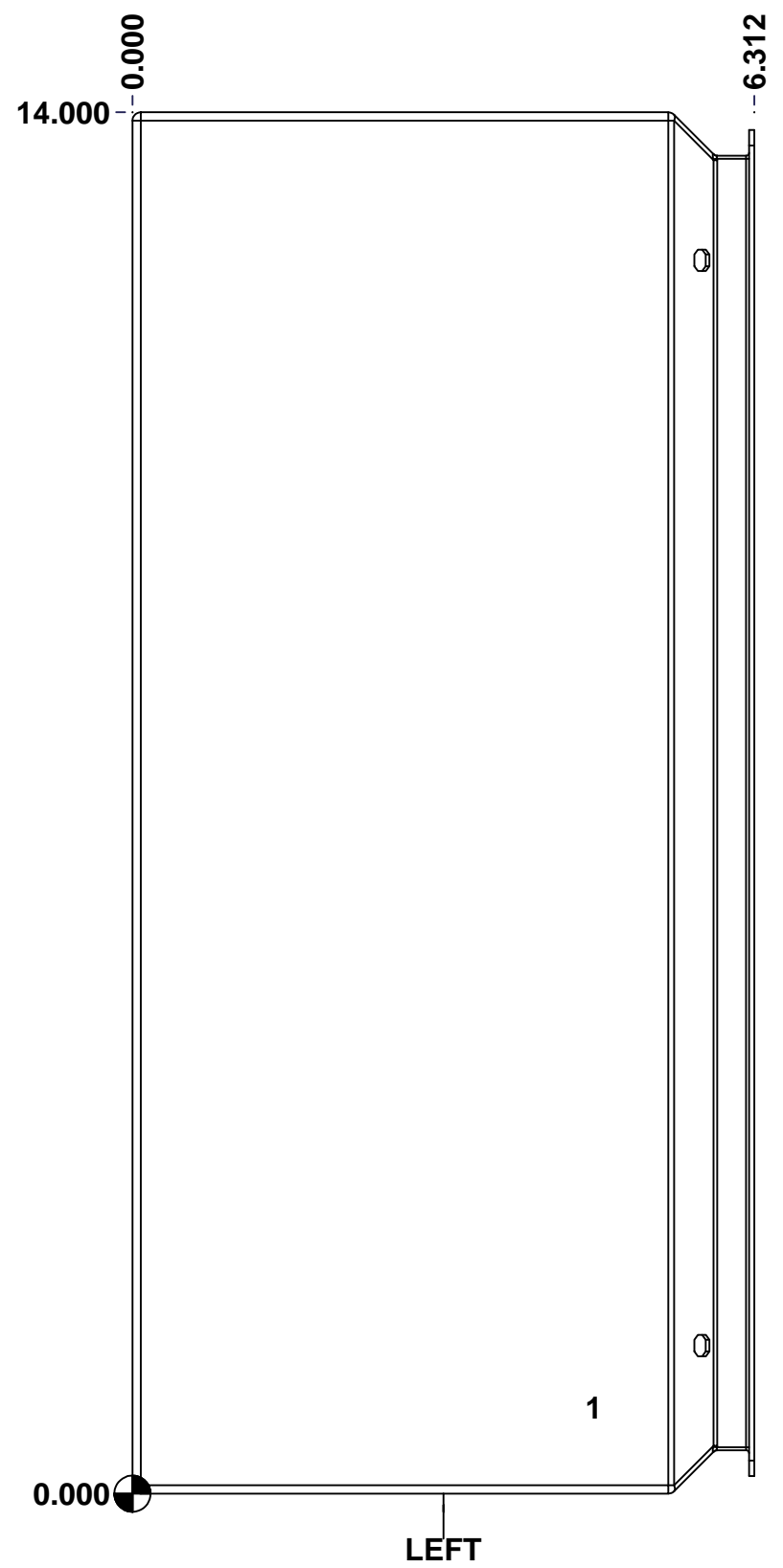
Customer Client	Date
Drawn By / Dessiné Par: BoxCad: BoxCad	Date: 03-Jan-22
Material / Matière: Aluminum 5052-H32 (1.4mm)	
Color / Couleur: Asa-61 Grey	Finish / Fini: Smooth
Description: 5412EALCH 14" x 16" x 6" Body	
Detail Rev.	
Part Number / Numéro Pièce: 5412EALCH141606NOIPB	Rev. 0
	1 / 7

SEE BILL OF MATERIAL ON LAST PAGE

This drawing is confidential and must not be reproduced or used without the consent of EXM

Ce dessin est confidentiel et ne doit pas être reproduit ou utilisé sans le consentement de EXM

STANDARD FEATURES ARE NOT LISTED IN THIS HOLE TABLE			
HOLE TABLE - LEFT VIEW (CUSTOM FEATURE ONLY)			
CUT-OUT	XDIM	YDIM	DESCRIPTION
1	4.625	0.875	STANDOFF M6 x 10mm (Inside)



	Description	Status
	5412EALCH 14" x 16" x 6" Body	(NULL)
Part Number Numéro Pièce 5412EALCH141606NOIPB	Rev.	5
	0	7

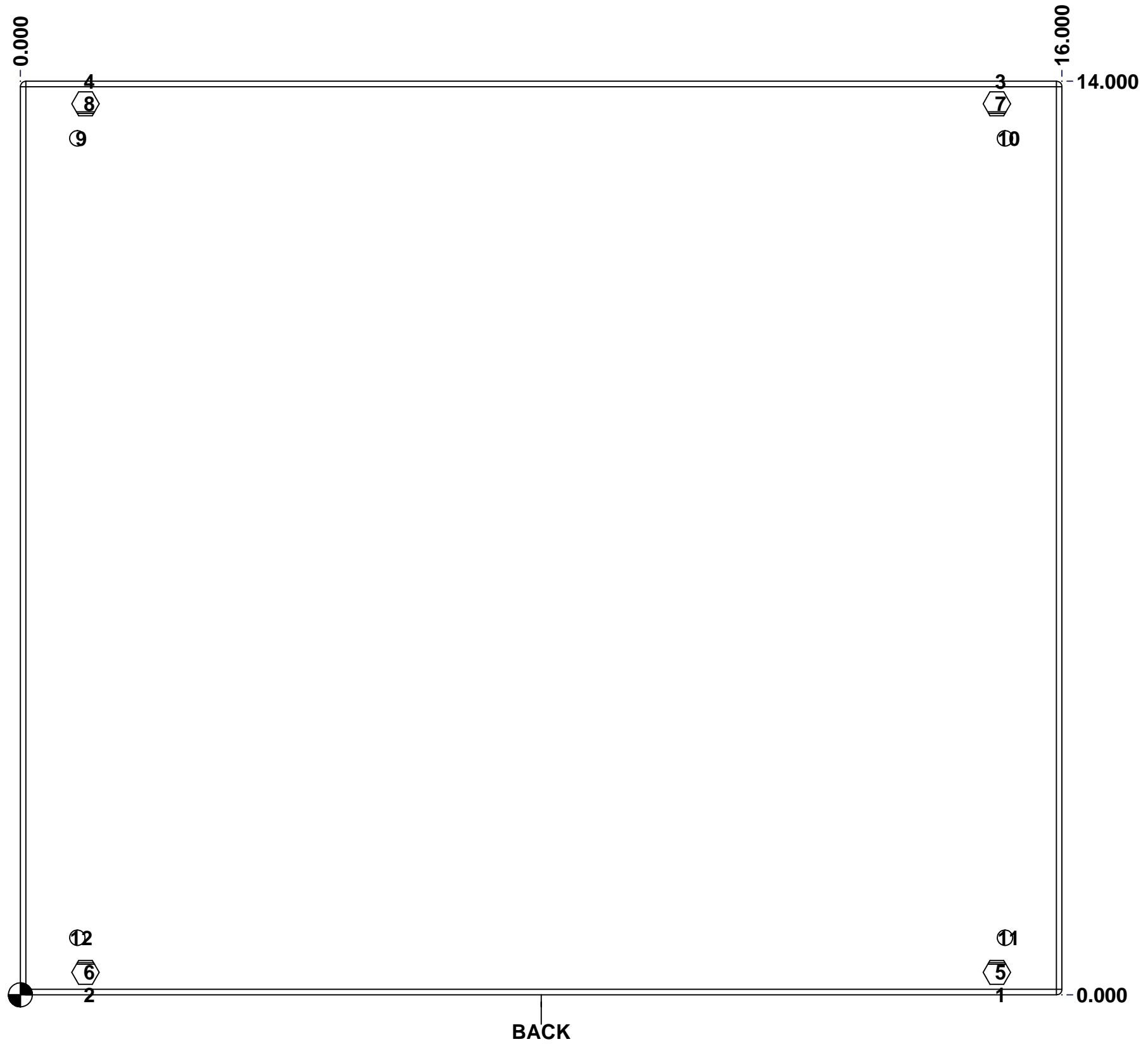
This drawing is confidential and must not be reproduced or used without the consent of EXM

Ce dessin est confidentiel et ne doit pas être reproduit ou utilisé sans le consentement de EXM

STANDARD FEATURES ARE NOT LISTED IN THIS HOLE TABLE

HOLE TABLE - BACK VIEW (CUSTOM FEATURE ONLY)

CUT-OUT	XDIM	YDIM	DESCRIPTION
1	15.000	0.000	FOOT 885 ESCHMF2
2	1.000	0.000	FOOT 885 ESCHMF2
3	15.000	14.000	FOOT 885 ESCHMF2
4	1.000	14.000	FOOT 885 ESCHMF2
5	15.000	0.344	RIVET NUT M6_FH_CE (Inside)
6	1.000	0.344	RIVET NUT M6_FH_CE (Inside)
7	15.000	13.656	RIVET NUT M6_FH_CE (Inside)
8	1.000	13.656	RIVET NUT M6_FH_CE (Inside)
9	0.875	13.125	PEM FHS-M6-20 (Inside)
10	15.125	13.125	PEM FHS-M6-20 (Inside)
11	15.125	0.875	PEM FHS-M6-20 (Inside)
12	0.875	0.875	PEM FHS-M6-20 (Inside)

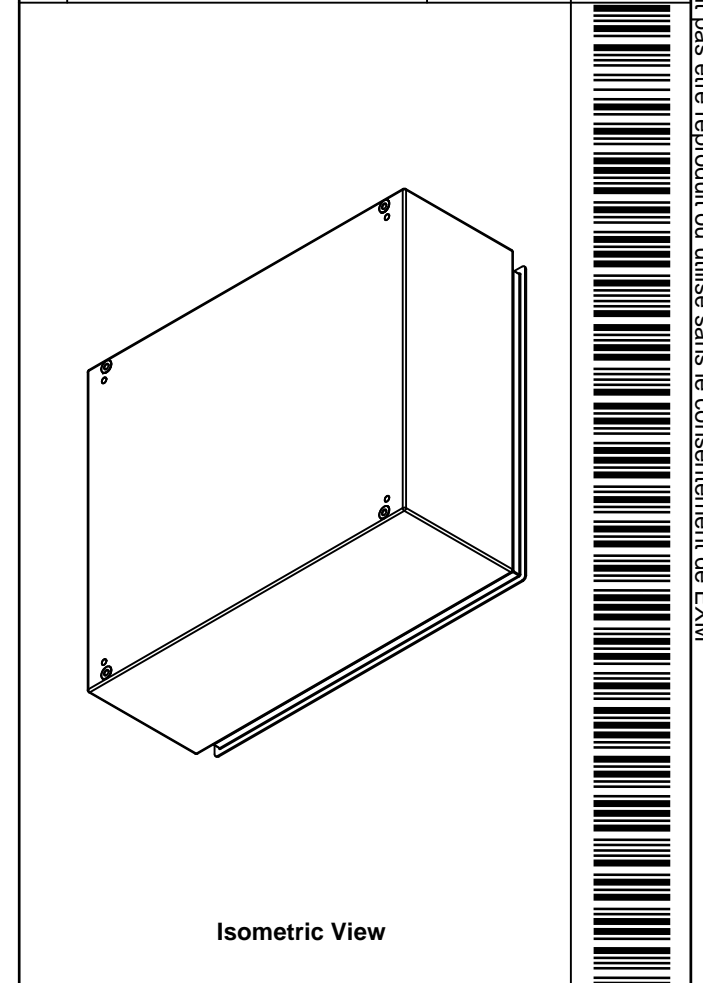


	Description	Status
	5412EALCH 14" x 16" x 6" Body	(NULL)
Part Number Numéro Pièce 5412EALCH141606NOIPB	Rev.	6
	0	7

This drawing is confidential and must not be reproduced or used without the consent of EXM

Ce dessin est confidentiel et ne doit pas être reproduit ou utilisé sans le consentement de EXM

No.	Revisions	Date	By/Par




 Tél: (450) 979-4373
 Fax: (450) 979-4626
www.exmweb.com

Flatness / Aplatissement:  Max 3.0mm
 Projection: 

Customer / Client: _____ Date: _____
 Drawn By / Dessiné Par: BoxCad: BoxCad Date: 03-Jan-22

Material / Matière: Aluminum 5052-H32 (1.4mm)

Color / Couleur: Asa-61 Grey Finish / Fini: Smooth

Description: 5412EALCH 14" x 16" x 6" Body
 Detail Rev.:

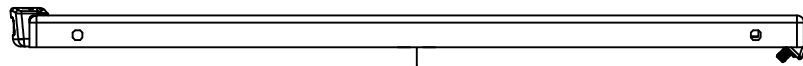
Part Number / Numéro Pièce: **5412EALCH141606NOIPB** Rev. **0**

Qty	Part Number	Rev	Description
4	STK-PEM-FHS-M6-20	0	SS PEM Self-Clinching Stud M6 x 20.0mm
4	RIVET_NUT_SS_M6_FH_CE	0	Stainless Steel Rivet Nut M6 (Low Profile Close End)
1	STK-Q-08400	4	Aluminum Standoff M6 x 10mm
1	5412EALCH141606NOIPB-P	0	5412EALCH 14" x 16" x 6" Body Part
1	STK-P-02400S	0	Powder Paint (Asa-61 Grey / Smooth)
2	STK-A-70469	6	5412 ESSMCH - Stainless Steel 316 Body Catch Assembly
2	STK-Q-08100	1	M5 Nylon Insert Lock Nut
Parts List			

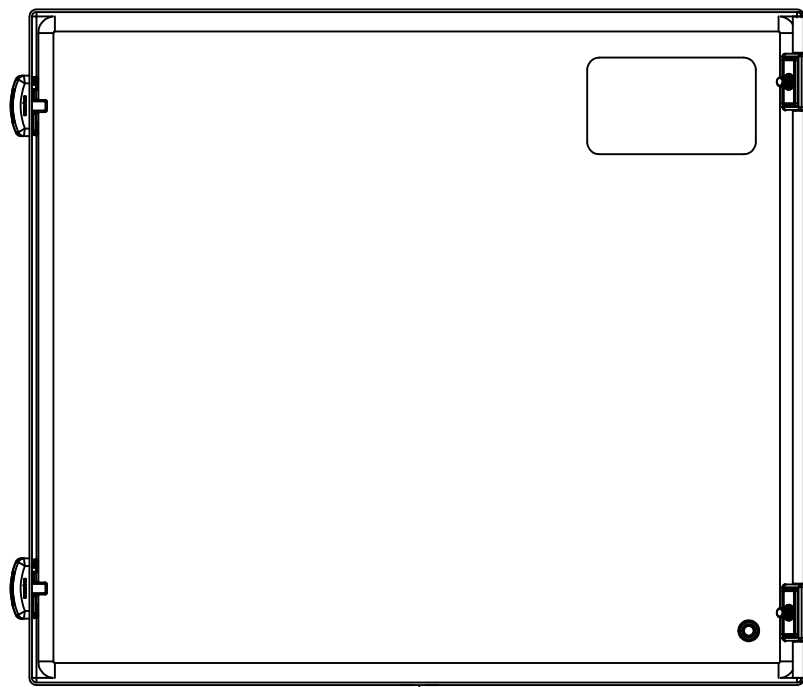
Rev.	7
	7

This drawing is confidential and must not be reproduced or used without the consent of EXM

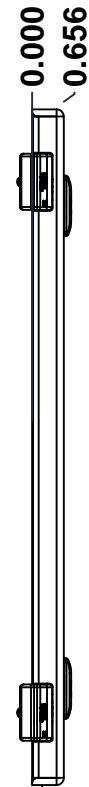
Ce dessin est confidentiel et ne doit pas être reproduit ou utilisé sans le consentement de EXM



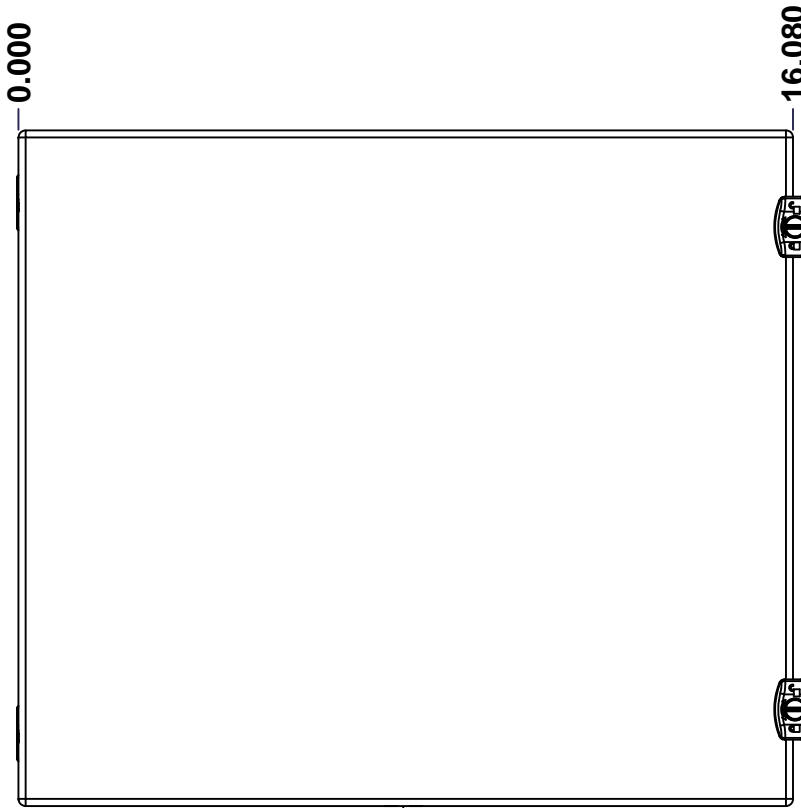
TOP



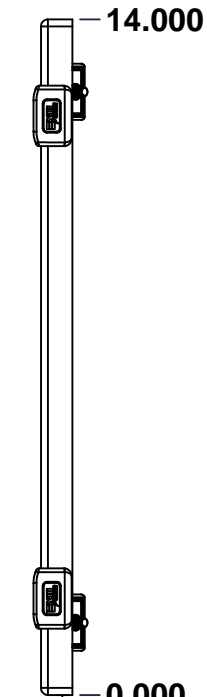
BACK



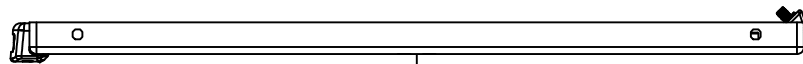
LEFT



FRONT

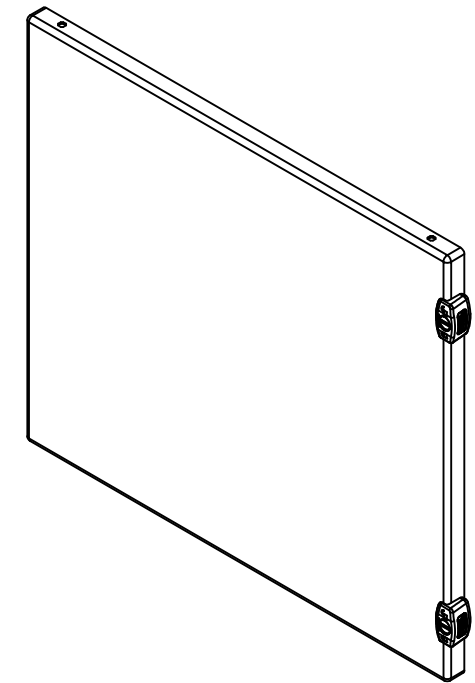


RIGHT



BOTTOM

No.	Revisions	Date	By/Par



Isometric View



Tél: (450) 979-4373
 Fax: (450) 979-4626
www.exmweb.com

Flatness
 Aplatissement
 Max 3.0mm
 Projection

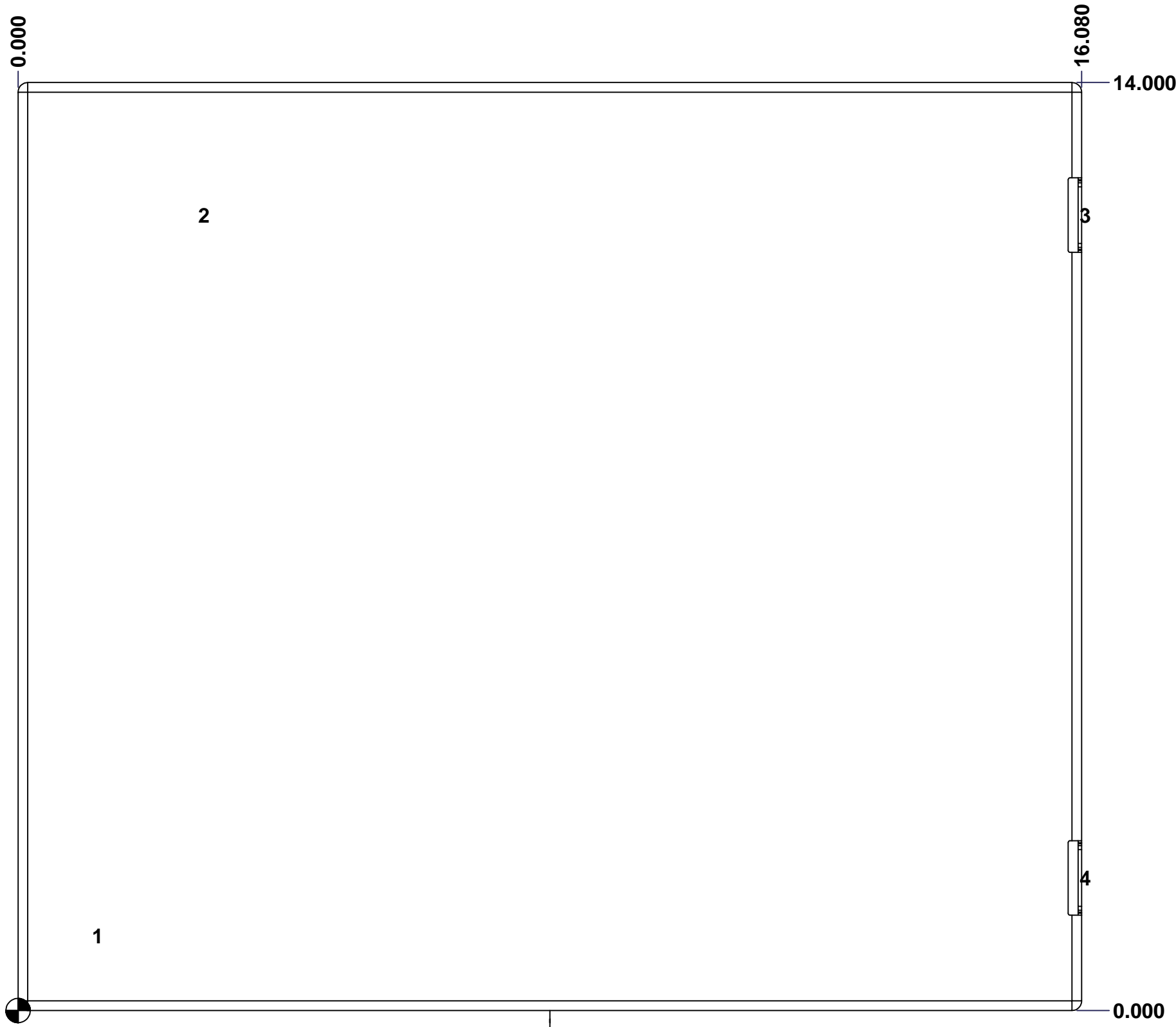
Customer Client	Date
Drawn By / Dessiné Par: BoxCad: BoxCad	Date: 03-Jan-22
Material / Matière: Aluminum 5052-H32 (1.4mm)	
Color / Couleur: Asa-61 Grey	Finish / Fini: Smooth
Description: 5412EALCH 14" x 16" Cover	
Part Number / Numéro Pièce: 5412EALCH141606NOIPC	Detail Rev. / Rev.: 0
	1 / 3

SEE BILL OF MATERIAL ON LAST PAGE

This drawing is confidential and must not be reproduced or used without the consent of EXM

Ce dessin est confidentiel et ne doit pas être reproduit ou utilisé sans le consentement de EXM

STANDARD FEATURES ARE NOT LISTED IN THIS HOLE TABLE			
HOLE TABLE - FRONT VIEW (CUSTOM FEATURE ONLY)			
CUT-OUT	XDIM	YDIM	DESCRIPTION
1	1.145	1.125	STANDOFF M6 x 10mm (Inside)
2	2.750	12.000	LABEL_EXM
3	16.080	12.000	LOCK 880 SCQ2MS @ 0.0°
4	16.080	2.000	LOCK 880 SCQ2MS @ 0.0°



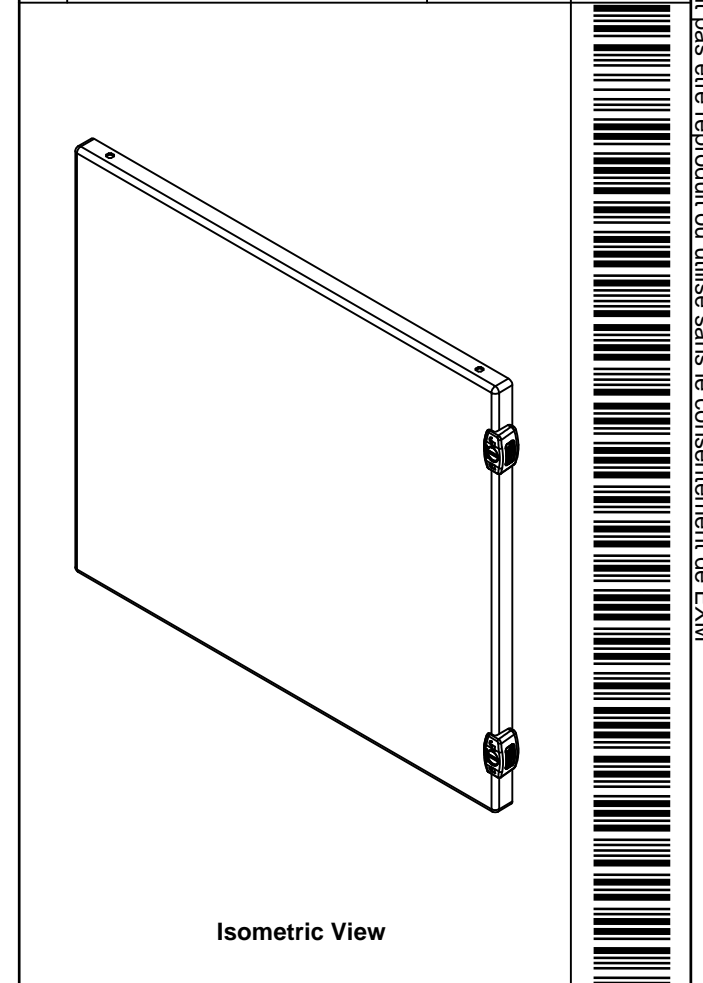
FRONT

	Description	Status
	5412EALCH 14" x 16" Cover	(NULL)
	Part Number Numéro Pièce	Rev.
	5412EALCH141606NOIPC	0
		2
		3

This drawing is confidential and must not be reproduced or used without the consent of EXM

Ce dessin est confidentiel et ne doit pas être reproduit ou utilisé sans le consentement de EXM

No.	Revisions	Date	By/Par




 Tél: (450) 979-4373
 Fax: (450) 979-4626
www.exmweb.com

Flatness / Aplatissement:  Max 3.0mm
 Projection: 

Customer Client: _____ Date: _____
 Drawn By / Dessiné Par: BoxCad: BoxCad Date: 03-Jan-22

Material / Matière: Aluminum 5052-H32 (1.4mm)

Color / Couleur: Asa-61 Grey Finish / Fini: Smooth

Description: 5412EALCH 14" x 16" Cover
 Detail Rev.:

Part Number / Numéro Pièce: **5412EALCH141606NOIPC**
 Rev. **0**

Qty	Part Number	Rev	Description
1	5412EALCH141606NOIP G	0	5412EALCH 14" x 16" Gasket
1	STK-S-00100	0	3.5" x 2" Silver Milar Flexcon Sticker
1	STK-Q-08400	4	Aluminum Standoff M6 x 10mm
1	STK-P-02400S	0	Powder Paint (Asa-61 Grey / Smooth)
1	5412EALCH141606NOIP C-P	0	5412EALCH 14" x 16" Cover Part
2	STK-A-33038	3	5412 ESSMCH - Stainless Steel Hinge
2	880SCQ2S	3	5412 ESMCH - External Lock Assy - Slot Lock
Parts List			

Rev.	3
	3