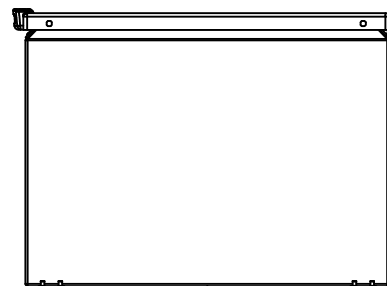
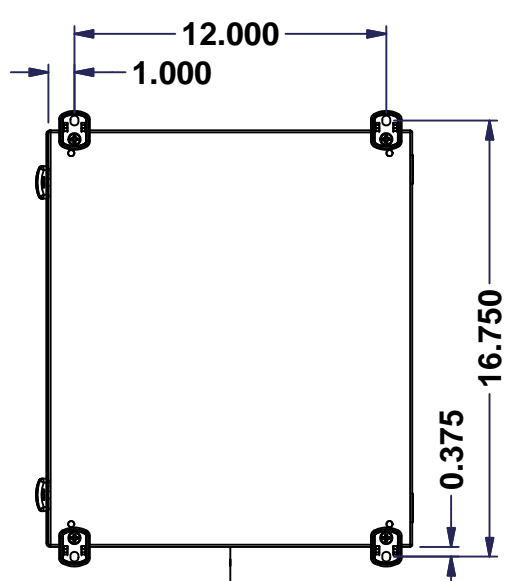


This drawing is confidential and must not be reproduced or used without the consent of EXM

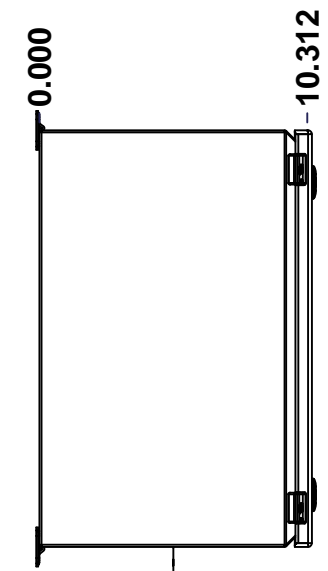
Ce dessin est confidentiel et ne doit pas être reproduit ou utilisé sans le consentement de EXM



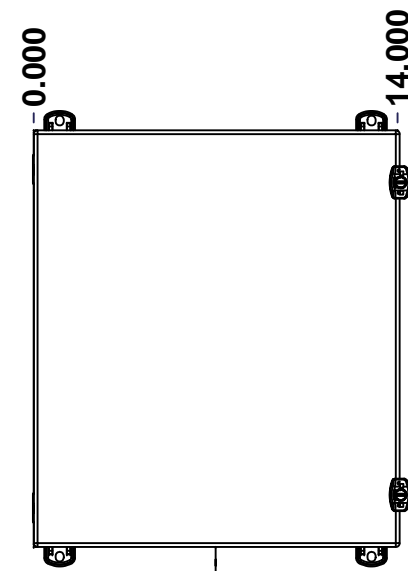
TOP



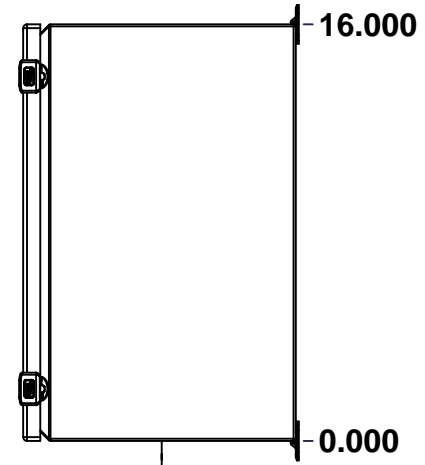
BACK



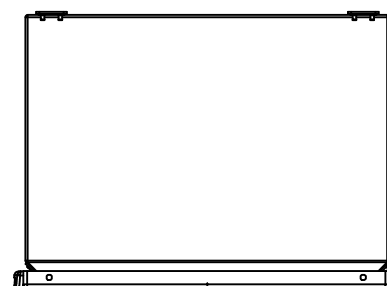
LEFT



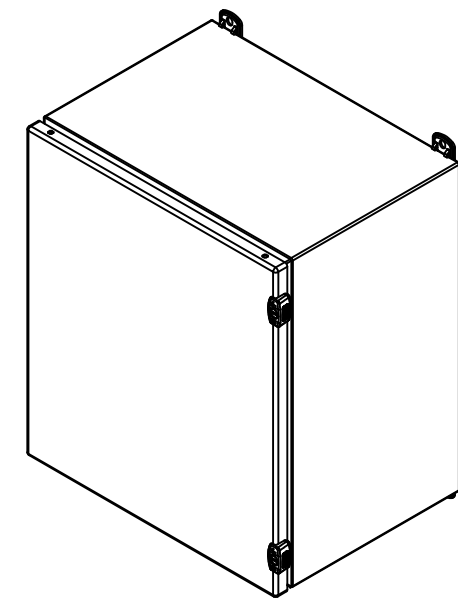
FRONT



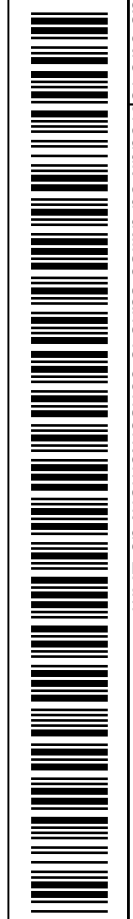
RIGHT




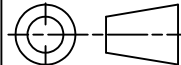
BOTTOM



Isometric View



No.	Revisions	Date	By/Par

 Tél: (450) 979-4373 Fax: (450) 979-4626 www.exmweb.com		Flatness Aplatissement Max 3.0mm Projection 
Customer Client	Date	Date 21-Aug-14
Drawn By Dessiné Par	BoxCad: BoxCad	
Material Matière	Aluminum 5052-H32 (1.4mm)	
Color Couleur	Asa-61 Grey	Finish Fini Smooth
Description	5412EALCH 16" x 14" x 10" Assembly	
Part Number Numéro Pièce	Rev. 0	1 / 2

SEE BILL OF MATERIAL ON LAST PAGE

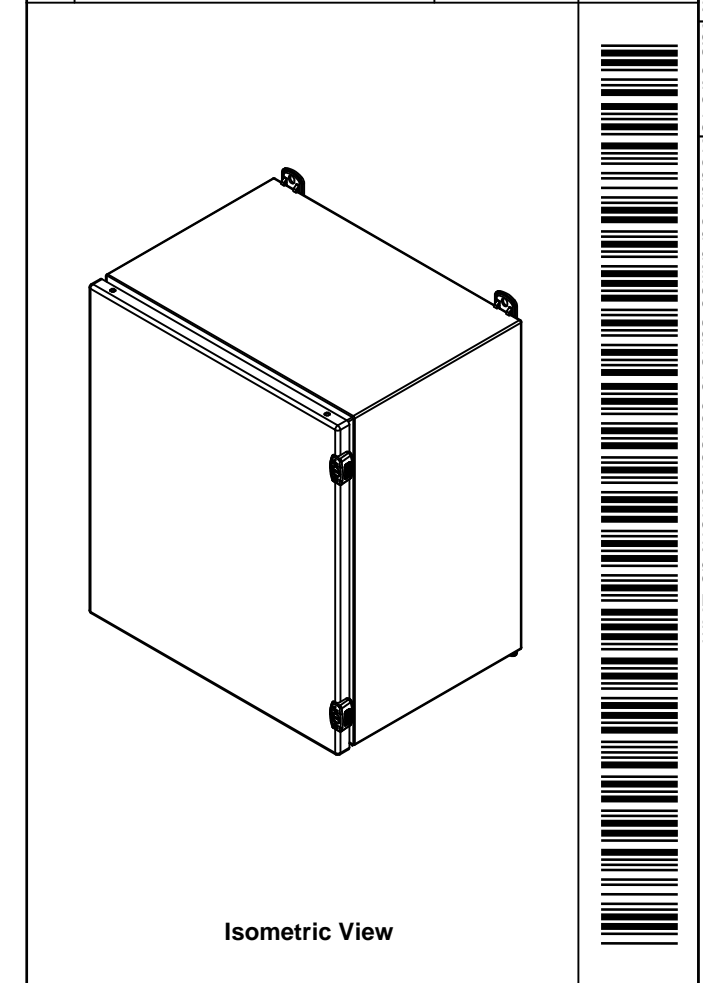
5412EALCH161410


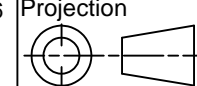
This drawing is confidential and must not be reproduced or used without the consent of EXM

Ce dessin est confidentiel et ne doit pas être reproduit ou utilisé sans le consentement de EXM

NOTE	
ITEM	DESCRIPTION
1	NEMA 4X Enclosure
2	C/W Standard ground standoffs on box and cover
3	W/O Standard door stiffener
4	C/W Standard inner panel (Included)
5	C/W Standard inner panel mounting standoffs
6	C/W 885 ESCHMF2 Mounting Feet (Installed)

No.	Revisions	Date	By/Par



 Tél: (450) 979-4373 Fax: (450) 979-4626 www.exmweb.com		Flatness Aplatissement Max 3.0mm Projection 
Customer Client	Date	
Drawn By Dessiné Par	BoxCad: BoxCad	Date 21-Aug-14
Material Matière	Aluminum 5052-H32 (1.4mm)	
Color Couleur	Asa-61 Grey	Finish Fini Smooth
Description	Detail Rev.	
5412EALCH 16" x 14" x 10" Assembly		
Part Number Numéro Pièce	5412EALCH161410	Rev. 0

Qty	Part Number	Rev	Description
1	5412EALCH161410C	0	5412EALCH 16" x 14" Cover
1	885 ESSCHMFQ	0	5412 ESSCH Mounting Feet Accessory Kit
1	STK-K-02910	3	5412 ESCH Accessory Kit
8	STK-Q-07200	0	Flange Lock Nut
1	880 SP1614G	0	880 SP1614G - Inner Panel
1	5412EALCH161410B	0	5412EALCH 16" x 14" x 10" Body
2	STK-Q-08100	1	M5 Nylon Insert Lock Nut
Parts List			

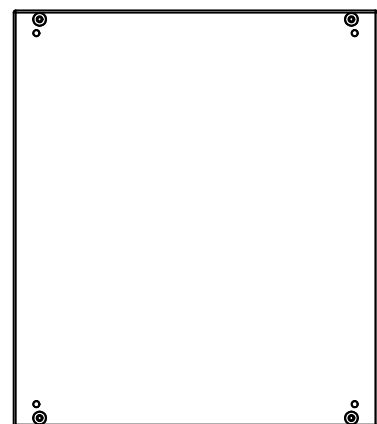
PACKING		
ITEM	QTY	DESCRIPTION
STK-E-04330	1	CARTON 5412 ESCH161410
Plastic bag	1	To protect cover surface and inside gasket
Packaging label	1	White label with product number
STK-S-01100	1	ESCH EXM SQUARE STICKER

This drawing is confidential and must not be reproduced or used without the consent of EXM

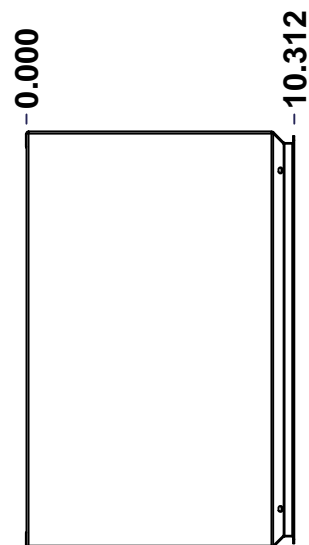
Ce dessin est confidentiel et ne doit pas être reproduit ou utilisé sans le consentement de EXM



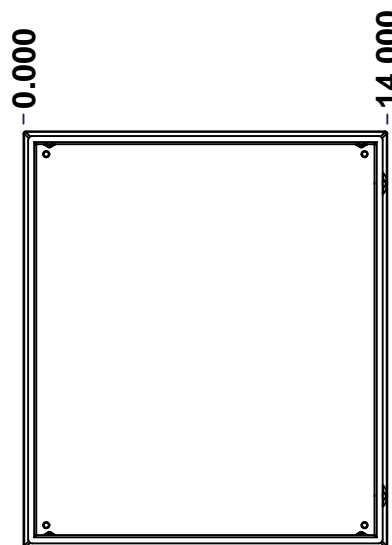
TOP



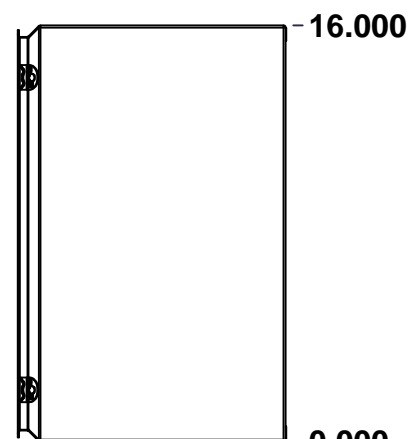
BACK



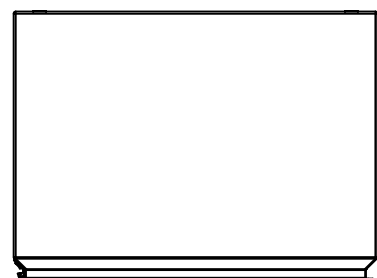
LEFT



FRONT

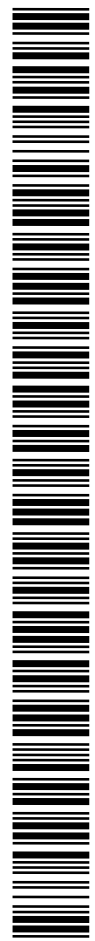
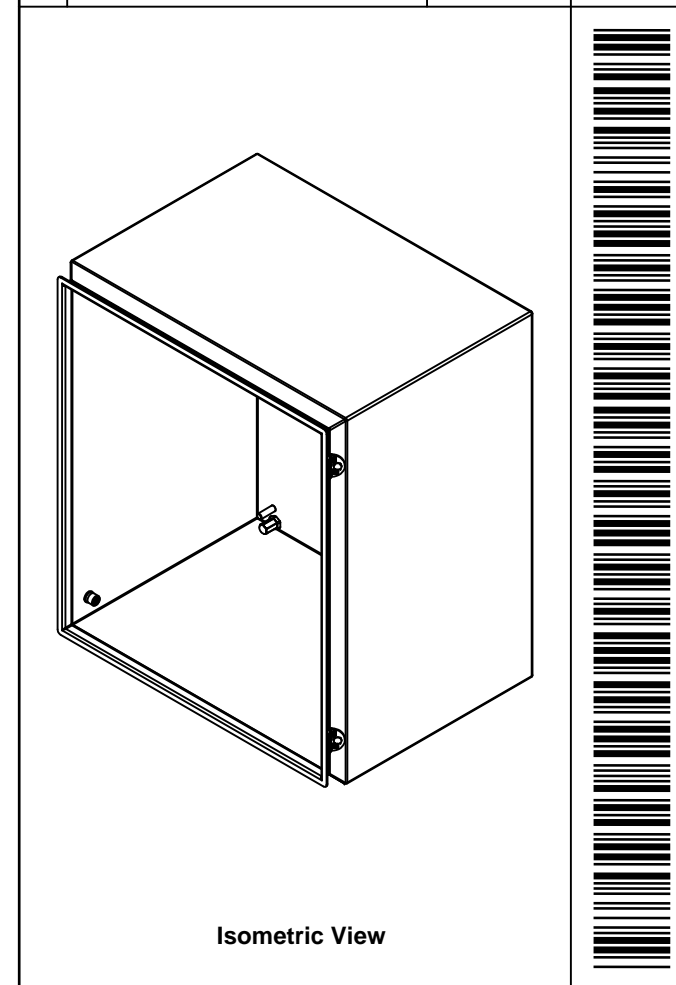



RIGHT



BOTTOM

No.	Revisions	Date	By/Par



 Tél: (450) 979-4373 Fax: (450) 979-4626 www.exmweb.com		Flatness Aplatissement	
		Max 3.0mm	
Customer Client		Date	
Drawn By Dessiné Par BoxCad: BoxCad		Date 21-Aug-14	
Material Matière Aluminum 5052-H32 (1.4mm)			
Color Couleur Asa-61 Grey		Finish Fini Smooth	
Description 5412EALCH 16" x 14" x 10" Body			Detail Rev.
Part Number Numéro Pièce 5412EALCH161410B		Rev. 0	1 / 7

SEE BILL OF MATERIAL ON LAST PAGE

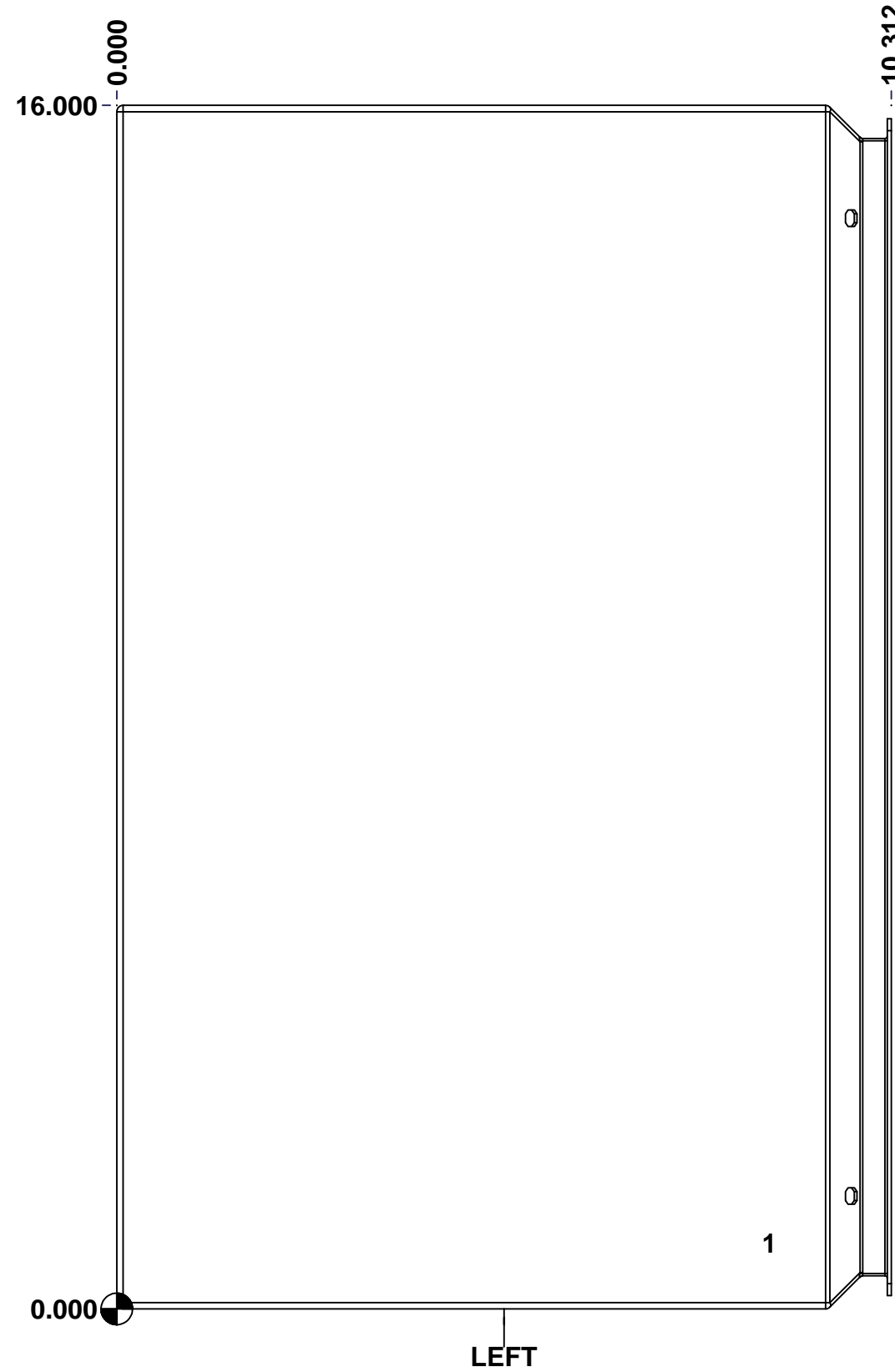
This drawing is confidential and must not be reproduced or used without the consent of EXM

Ce dessin est confidentiel et ne doit pas être reproduit ou utilisé sans le consentement de EXM

STANDARD FEATURES ARE NOT LISTED IN THIS HOLE TABLE

HOLE TABLE - LEFT VIEW (CUSTOM FEATURE ONLY)

CUT-OUT	XDIM	YDIM	DESCRIPTION
1	8.625	0.875	STANDOFF M6 x 10mm (Inside)



	Description	Status
	5412EALCH 16" x 14" x 10" Body	(NULL)
	Part Number Numéro Pièce	Rev.
	5412EALCH161410B	0
		5 7

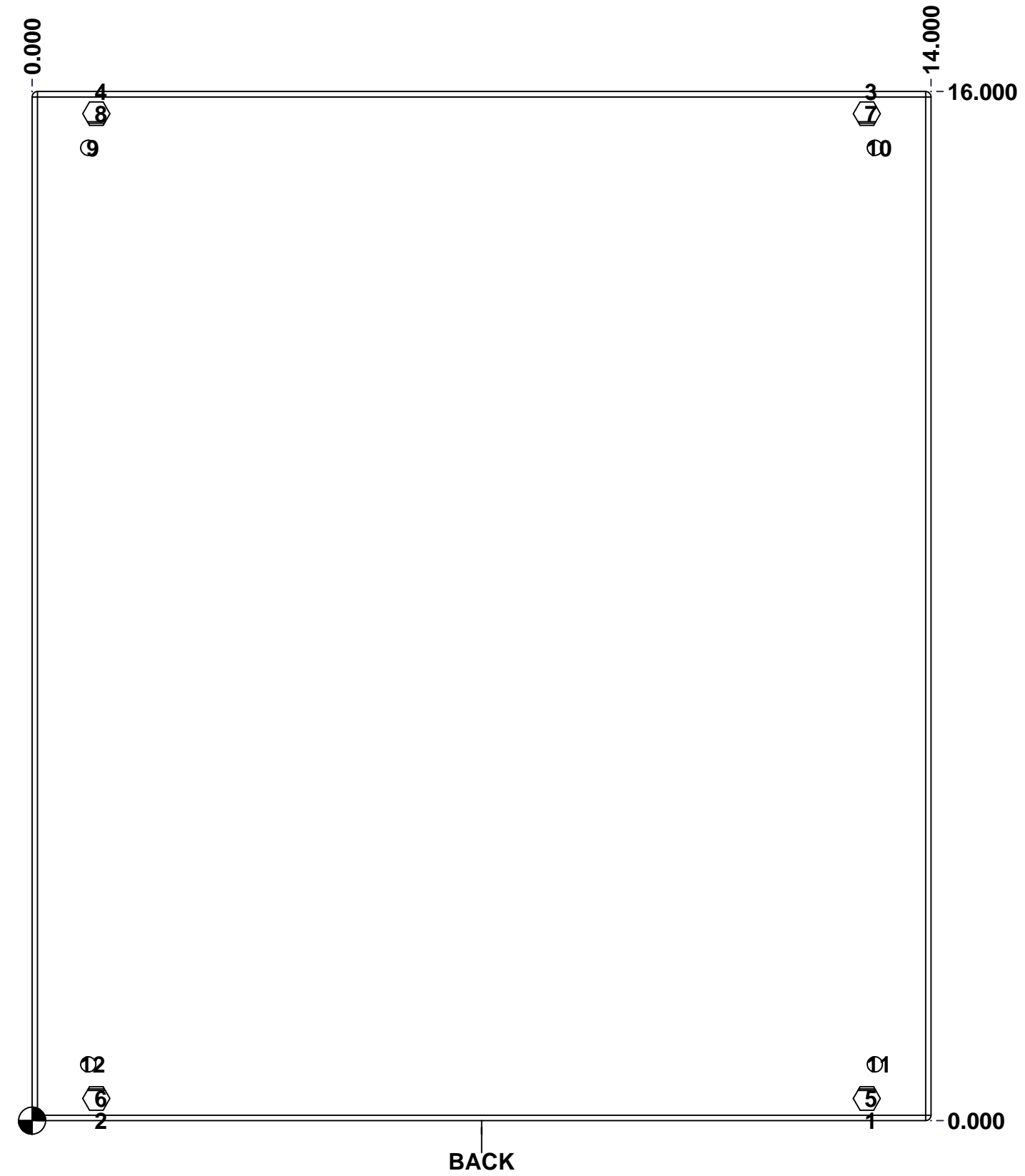
This drawing is confidential and must not be reproduced or used without the consent of EXM

Ce dessin est confidentiel et ne doit pas être reproduit ou utilisé sans le consentement de EXM

STANDARD FEATURES ARE NOT LISTED IN THIS HOLE TABLE

HOLE TABLE - BACK VIEW (CUSTOM FEATURE ONLY)

CUT-OUT	XDIM	YDIM	DESCRIPTION
1	13.000	0.000	FOOT 885 ESCHMF2
2	1.000	0.000	FOOT 885 ESCHMF2
3	13.000	16.000	FOOT 885 ESCHMF2
4	1.000	16.000	FOOT 885 ESCHMF2
5	13.000	0.344	RIVET NUT M6_FH_CE (Inside)
6	1.000	0.344	RIVET NUT M6_FH_CE (Inside)
7	13.000	15.656	RIVET NUT M6_FH_CE (Inside)
8	1.000	15.656	RIVET NUT M6_FH_CE (Inside)
9	0.875	15.125	PEM FHS-M6-20 (Inside)
10	13.125	15.125	PEM FHS-M6-20 (Inside)
11	13.125	0.875	PEM FHS-M6-20 (Inside)
12	0.875	0.875	PEM FHS-M6-20 (Inside)

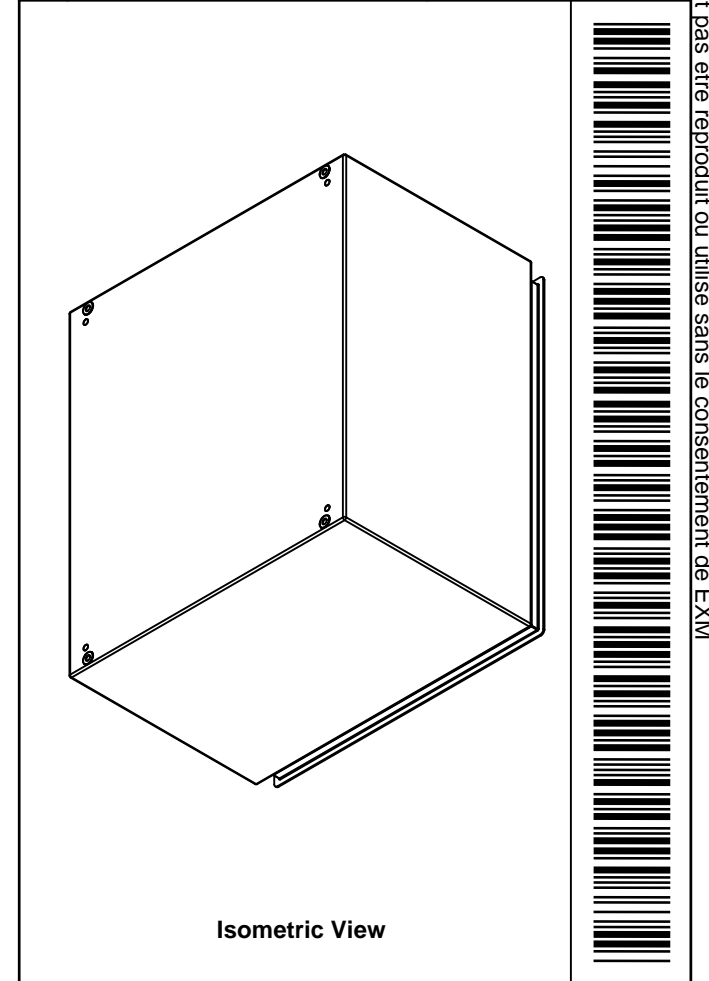


	Description	Status
	5412EALCH 16" x 14" x 10" Body	(NULL)
	Part Number Numéro Pièce	Rev.
	5412EALCH161410B	0
		6
		7

This drawing is confidential and must not be reproduced or used without the consent of EXM

Ce dessin est confidentiel et ne doit pas être reproduit ou utilisé sans le consentement de EXM

No.	Revisions	Date	By/Par

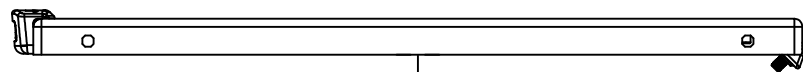


Tél: (450) 979-4373 Fax: (450) 979-4626 www.exmweb.com		Flatness Aplatissement Max 3.0mm
Projection 		Date 21-Aug-14
Customer Client Drawn By Dessiné Par BoxCad: BoxCad		Date 21-Aug-14
Material Matière Aluminum 5052-H32 (1.4mm)		
Color Couleur Asa-61 Grey		Finish Fini Smooth
Description 5412EALCH 16" x 14" x 10" Body		Detail Rev. 7
Part Number Numéro Pièce 5412EALCH161410B		Rev. 0

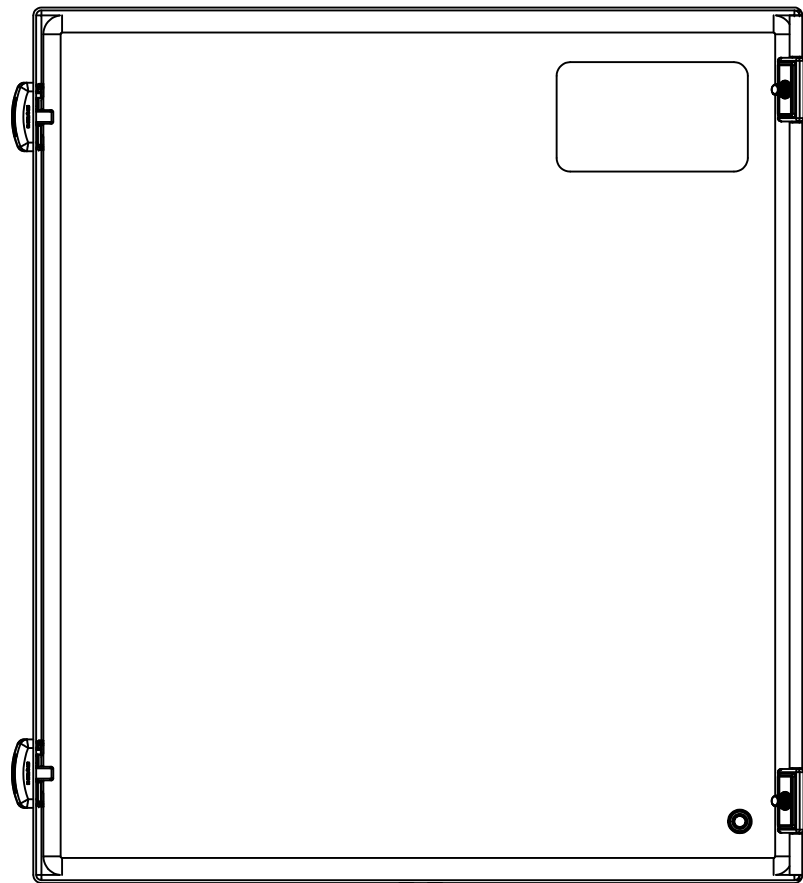
Qty	Part Number	Rev	Description
4	STK-PEM-FHS-M6-20	0	SS PEM Self-Clinching Stud M6 x 20.0mm
4	RIVET_NUT_SS_M6_FH_CE	0	Stainless Steel Rivet Nut M6 (Low Profile Close End)
1	STK-Q-08400	4	Aluminum Standoff M6 x 10mm
1	5412EALCH161410B-P	0	5412EALCH 16" x 14" x 10" Body Part
1	STK-P-02400S	0	Powder Paint (Asa-61 Grey / Smooth)
2	STK-A-70469	6	5412 ESSMCH - Stainless Steel 316 Body Catch Assembly
2	STK-Q-08100	1	M5 Nylon Insert Lock Nut
Parts List			

This drawing is confidential and must not be reproduced or used without the consent of EXM

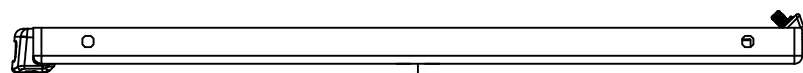
Ce dessin est confidentiel et ne doit pas être reproduit ou utilisé sans le consentement de EXM



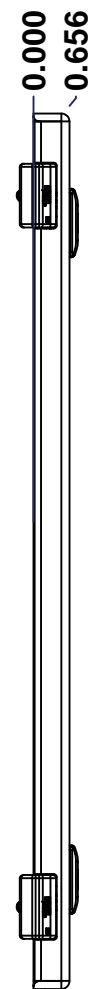
TOP



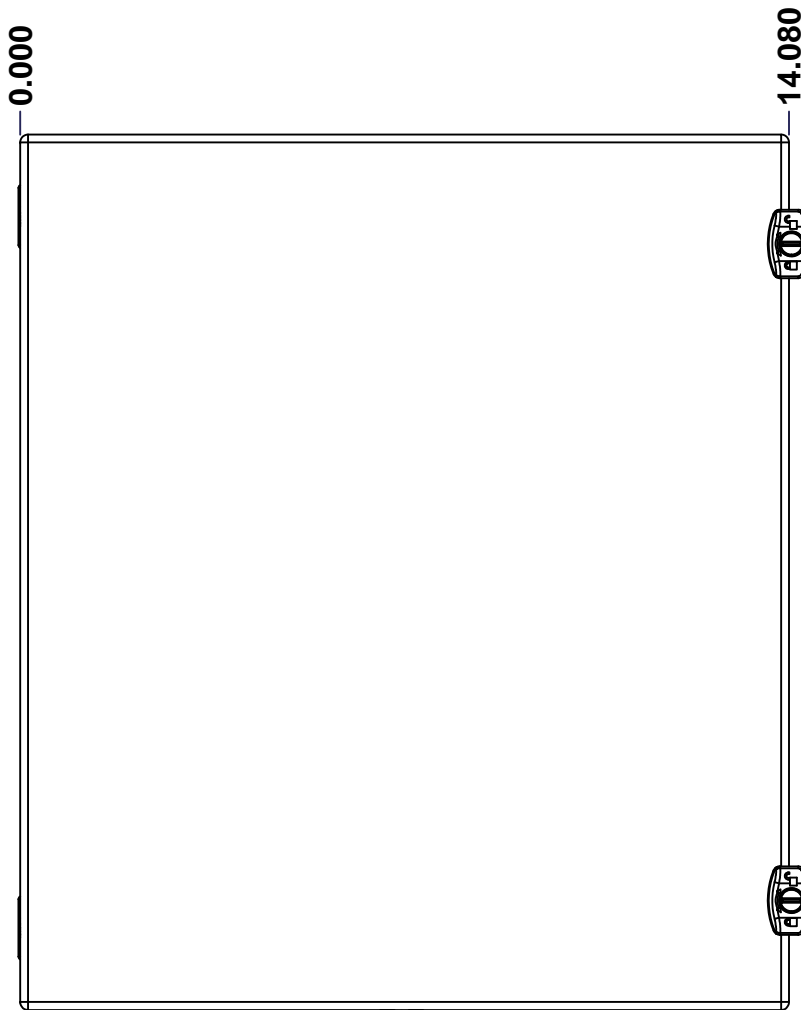
BACK



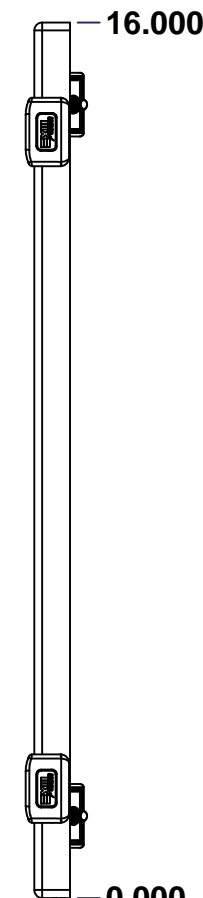
BOTTOM



LEFT

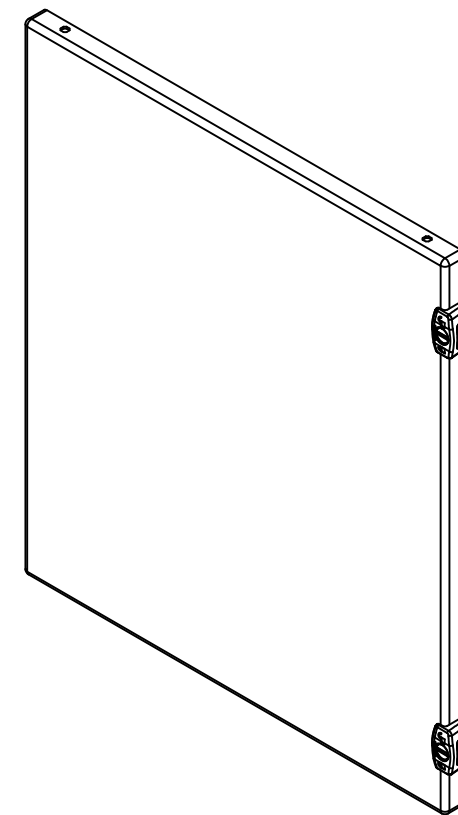


FRONT



RIGHT

No.	Revisions	Date	By/Par



Isometric View

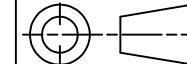


Tél: (450) 979-4373
 Fax: (450) 979-4626
www.exmweb.com

Flatness
Aplatissement

Max 3.0mm

Projection



Customer Client	Date
Drawn By / Dessiné Par: BoxCad: BoxCad	Date: 21-Aug-14
Material / Matière: Aluminum 5052-H32 (1.4mm)	
Color / Couleur: Asa-61 Grey	Finish / Fini: Smooth
Description: 5412EALCH 16" x 14" Cover	Detail Rev.
Part Number / Numéro Pièce: 5412EALCH161410C	Rev. 0

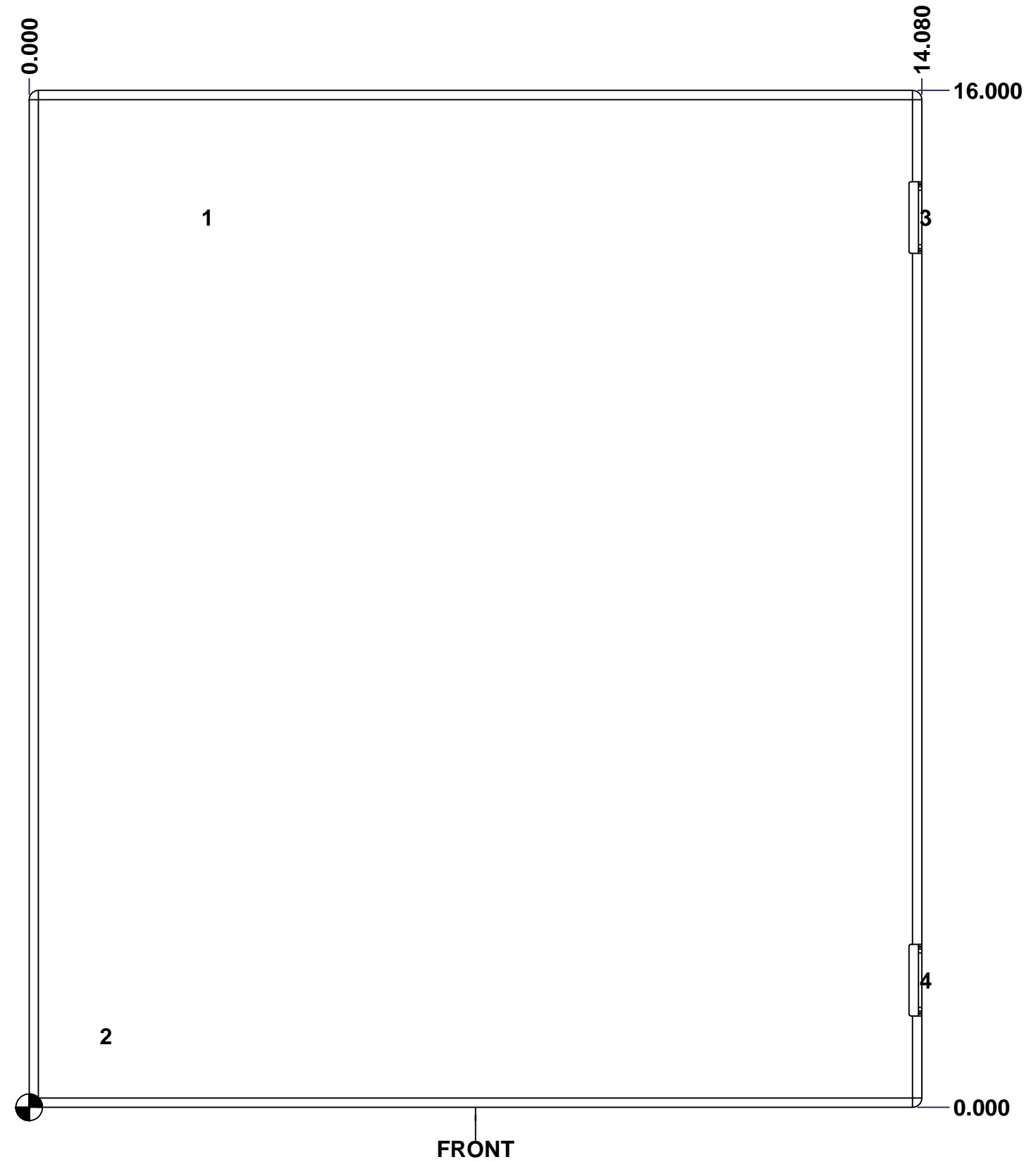
SEE BILL OF MATERIAL ON LAST PAGE

1
3

This drawing is confidential and must not be reproduced or used without the consent of EXM

Ce dessin est confidentiel et ne doit pas être reproduit ou utilisé sans le consentement de EXM

STANDARD FEATURES ARE NOT LISTED IN THIS HOLE TABLE			
HOLE TABLE - FRONT VIEW (CUSTOM FEATURE ONLY)			
CUT-OUT	XDIM	YDIM	DESCRIPTION
1	2.750	14.000	LABEL_EXM
2	1.145	1.125	STANDOFF M6 x 10mm (Inside)
3	14.080	14.000	LOCK 880 SCQ2MS @ 0.0°
4	14.080	2.000	LOCK 880 SCQ2MS @ 0.0°

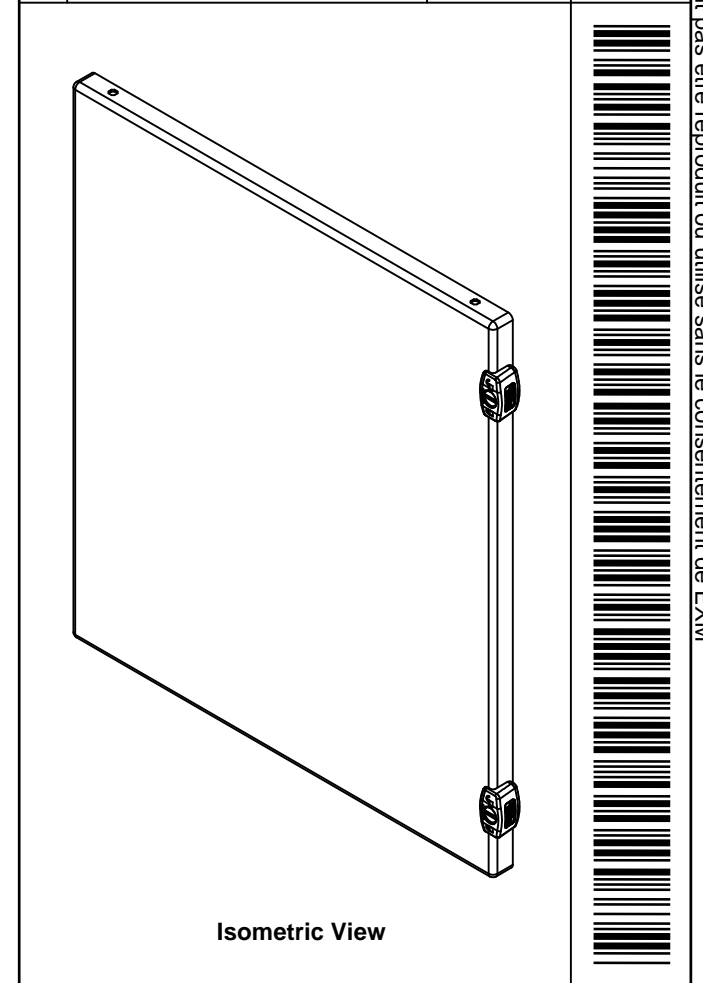



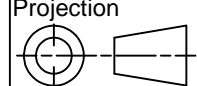
	Description	Status	
	5412EALCH 16" x 14" Cover	(NULL)	
	Part Number Numéro Pièce	Rev.	
	5412EALCH161410C	0	2 3

This drawing is confidential and must not be reproduced or used without the consent of EXM

Ce dessin est confidentiel et ne doit pas être reproduit ou utilisé sans le consentement de EXM

No.	Revisions	Date	By/Par

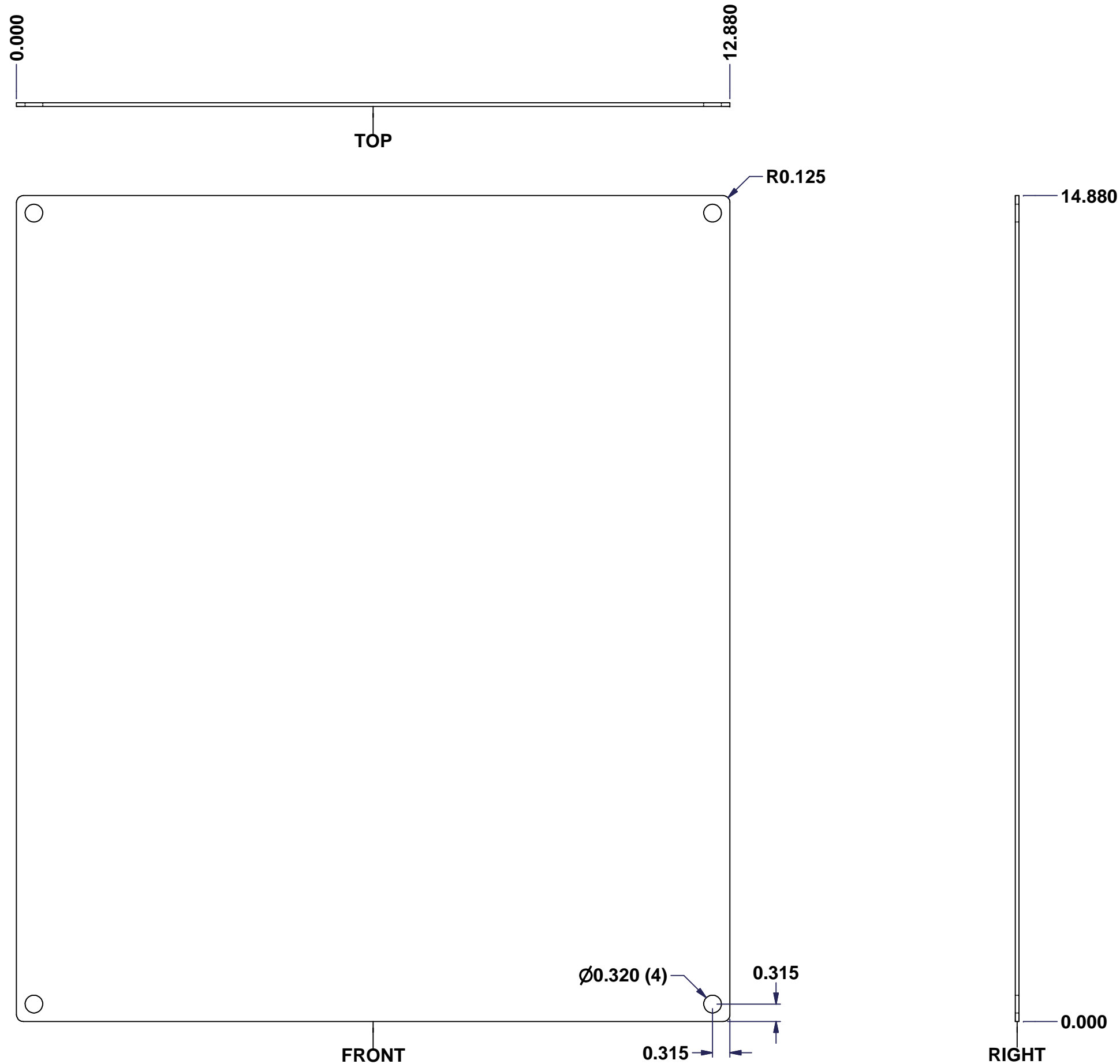


 Tél: (450) 979-4373 Fax: (450) 979-4626 www.exmweb.com		Flatness Aplatissement Max 3.0mm Projection 
Customer Client	Date	
Drawn By Dessiné Par	BoxCad: BoxCad	Date 21-Aug-14
Material Matière	Aluminum 5052-H32 (1.4mm)	
Color Couleur	Asa-61 Grey	Finish Fini Smooth
Description		Detail Rev.
5412EALCH 16" x 14" Cover		
Part Number Numéro Pièce	Rev.	3
5412EALCH161410C	0	3

Qty	Part Number	Rev	Description
1	5412EALCH161410G	0	5412EALCH 16" x 14" Gasket
1	STK-Q-08400	4	Aluminum Standoff M6 x 10mm
1	STK-S-00100	0	3.5" x 2" Silver Milar Flexcon Sticker
1	STK-P-02400S	0	Powder Paint (Asa-61 Grey / Smooth)
1	5412EALCH161410C-P	0	5412EALCH 16" x 14" Cover Part
2	STK-A-33038	3	5412 ESSMCH - Stainless Steel Hinge
2	880SCQ2S	3	5412 ESMCH - External Lock Assy - Slot Lock
Parts List			

This drawing is confidential and must not be reproduced or used without the consent of EXM

Ce dessin est confidentiel et ne doit pas être reproduit ou utilisé sans le consentement de EXM



No.	Revisions	Date	By/Par

Isometric View

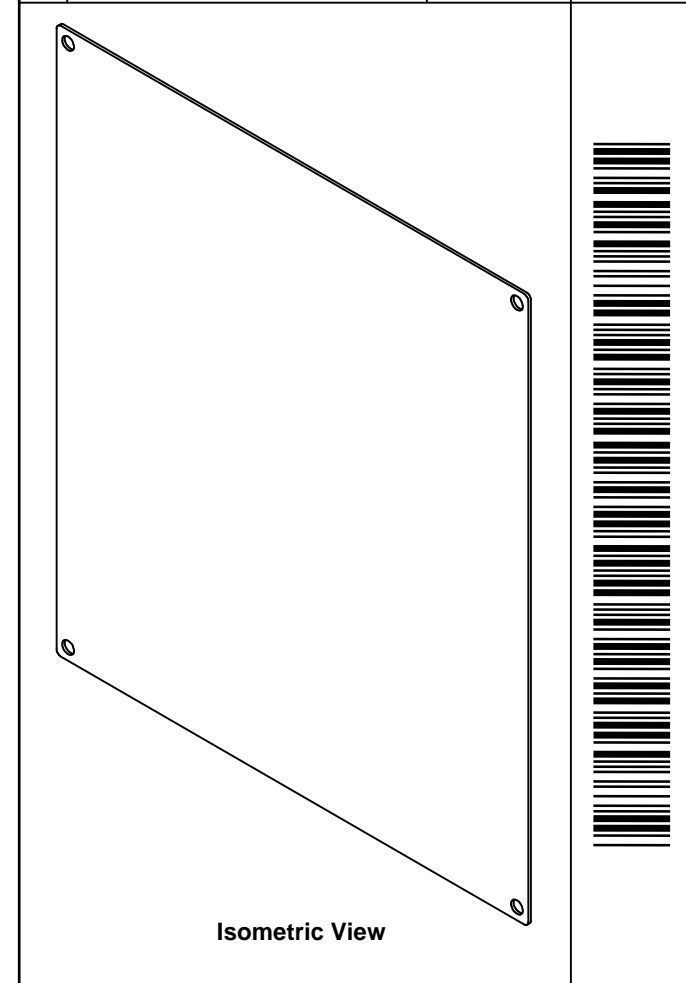
Tél: (450) 979-4373 Fax: (450) 979-4626 www.exmweb.com		Flatness Aplatissement	
		Max 3.0mm	
Customer Client		Projection	
Date			
Drawn By Dessiné Par BoxCad		Date 23-Jan-07	
Material Matière 14 Ga Galvanized (1.7mm)			
Color Couleur Unpainted	Finish Fini Galvanized		
Description 880 SP1614G - Inner Panel		Detail Rev.	
Part Number Numéro Pièce 880 SP1614G		Rev. 0	1 2


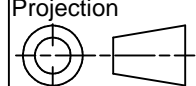
SEE BILL OF MATERIAL ON LAST PAGE

This drawing is confidential and must not be reproduced or used without the consent of EXM

Ce dessin est confidentiel et ne doit pas être reproduit ou utilisé sans le consentement de EXM

No.	Revisions	Date	By/Par



 Tél: (450) 979-4373 Fax: (450) 979-4626 www.exmweb.com		Flatness Aplatissement Max 3.0mm
Customer Client		Projection 
Drawn By Dessiné Par BoxCad		Date 23-Jan-07
Material Matière 14 Ga Galvanized (1.7mm)		
Color Couleur Unpainted	Finish Fini Galvanized	
Description 880 SP1614G - Inner Panel		Detail Rev.
Part Number Numéro Pièce 880 SP1614G		Rev. 0

Qty	Part Number	Rev	Description
1	880 SP1614G-P	0	880 SP1614G - Inner Panel Part
Parts List			

2
2