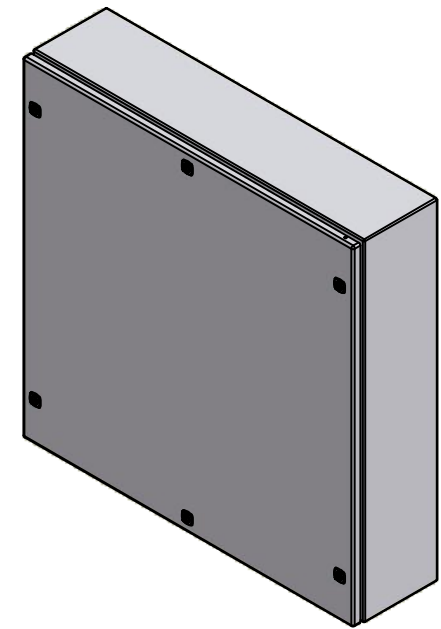
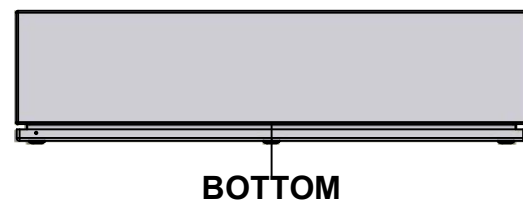
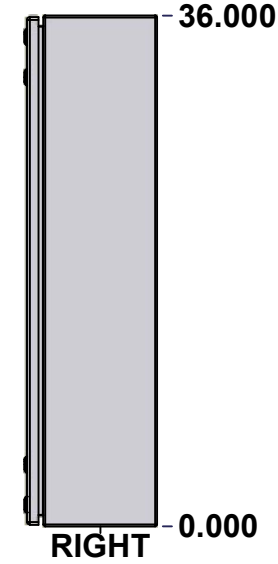
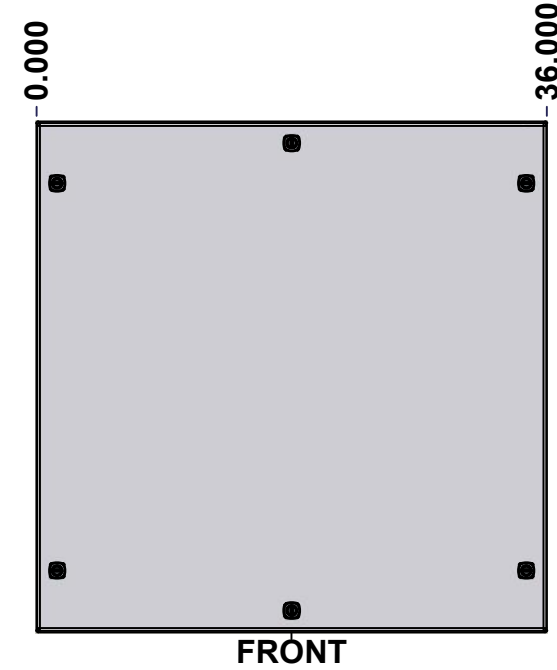
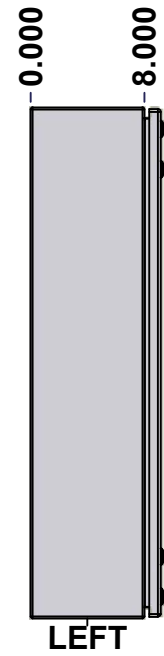
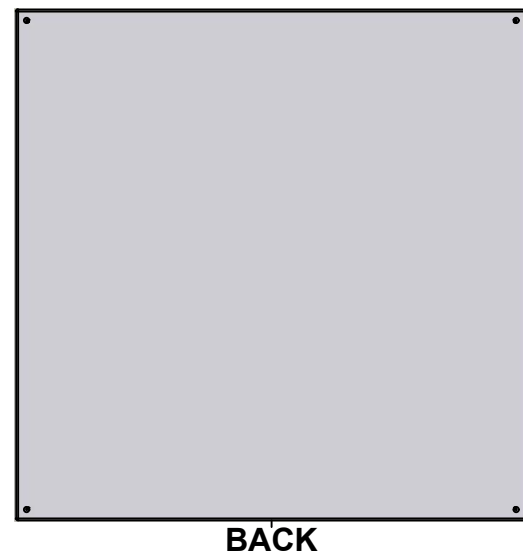
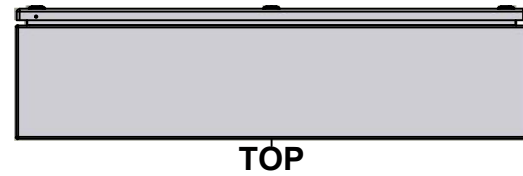



This drawing is confidential and must not be reproduced or used without the consent of EXM

Ce dessin est confidentiel et ne doit pas être reproduit ou utilisé sans le consentement de EXM

| No. | Revisions | Date | By/Par |
|-----|-----------|------|--------|
| | | | |
| | | | |
| | | | |
| | | | |
| | | | |



| | | | |
|--|--|---------------------------|-------------|
|  Tél: (450) 979-4373 Fax: (450) 979-4626 www.exmweb.com | | Flatness Aplatissement | |
| | | Max 3.0mm | |
| Customer Client | | Date | |
| Drawn By Dessiné Par BoxCad: BoxCad | | Date 2022-12-06 | |
| Material Matière Aluminum 5052-H32 (2.5mm) | | | |
| Color Couleur Asa-61 Grey | | Finish Fini Smooth | |
| Description 5412EALQT 36" x 36" x 8" Assembly | | | Detail Rev. |
| Part Number Numéro Pièce 5412EALQT363608 | | Rev. 0 | 1 9 |

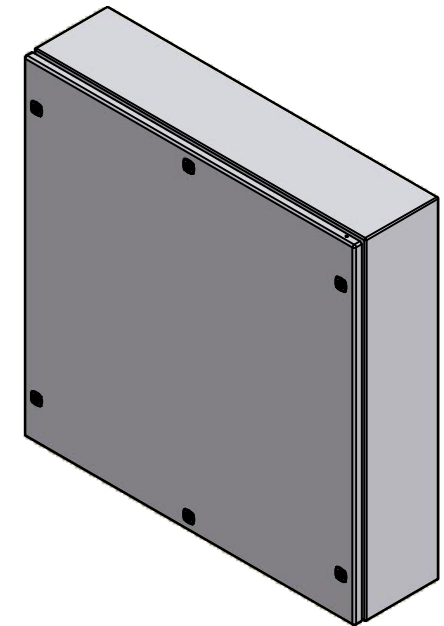
SEE BILL OF MATERIAL ON LAST PAGE

This drawing is confidential and must not be reproduced or used without the consent of EXM

Ce dessin est confidentiel et ne doit pas être reproduit ou utilisé sans le consentement de EXM

| NOTE | |
|------|--|
| ITEM | DESCRIPTION |
| 1 | NEMA 4X Enclosure |
| 2 | C/W Standard ground studs on box and cover |
| 3 | C/W Standard door stiffener |
| 4 | C/W Standard inner panel (Included) |
| 5 | C/W Standard inner panel mounting studs |
| 6 | C/W 880 PP included (Not installed) |

| No. | Revisions | Date | By/Par |
|-----|-----------|------|--------|
| | | | |
| | | | |
| | | | |
| | | | |
| | | | |
| | | | |



Isometric View




 Tél: (450) 979-4373
 Fax: (450) 979-4626
www.exmweb.com

Flatness
 Aplatissement
 Max 3.0mm
 Projection


| | |
|--|------------------|
| Customer Client | Date |
| Drawn By / Dessiné Par: BoxCad: BoxCad | Date: 2022-12-06 |

Material / Matière: Aluminum 5052-H32 (2.5mm)

| | |
|------------------------------|-----------------------|
| Color / Couleur: Asa-61 Grey | Finish / Fini: Smooth |
|------------------------------|-----------------------|

Description: 5412EALQT 36" x 36" x 8" Assembly

| | | |
|--|------------------------|---|
| Part Number / Numéro Pièce: 5412EALQT363608 | Rev. / Révis: 0 | 2 |
| | | 9 |

| Qty | Part Number | Rev | Description |
|-----|------------------|-----|-----------------------------------|
| 2 | STK-Q-07310 | 2 | Flange Lock Nut M8 |
| 1 | 881 SP3636G | 0 | 881 SP - Inner Panel |
| 2 | STK-Q-07615 | 0 | Inner Panel Support Bracket |
| 1 | STK-K-01800 | 5 | 5412 ES Accessory Kit |
| 3 | STK-K-01320 | 0 | 5412 ES Inner Panel Accessory Kit |
| 1 | 880 PP | 6 | Self Adhesive Print Pocket |
| 1 | 5412EALQT363608C | 0 | 5412EALQT 36" x 36" Cover |
| 1 | 5412EALQT363608B | 0 | 5412EALQT 36" x 36" x 8" Body |

Parts List

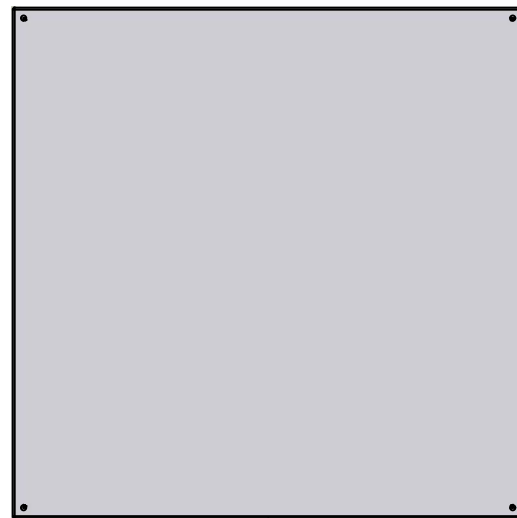
| PACKING | | |
|-----------------------|-----|--|
| ITEM | QTY | DESCRIPTION |
| Cardboard sleeve | 2 | Top and Bottom |
| Cardboard strip | 2 | Between back of enclosure and inner panel |
| Plastic bag | 1 | To protect cover surface and inside gasket |
| Plastic strap - Black | 2 | To Squeeze the 2 cardboard sleeve together |
| Packaging label | 1 | White label with product number |

This drawing is confidential and must not be reproduced or used without the consent of EXM

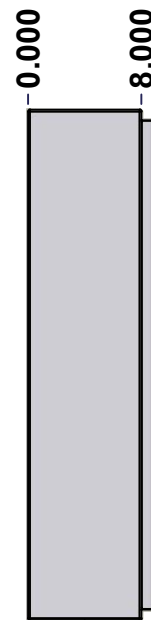
Ce dessin est confidentiel et ne doit pas être reproduit ou utilisé sans le consentement de EXM



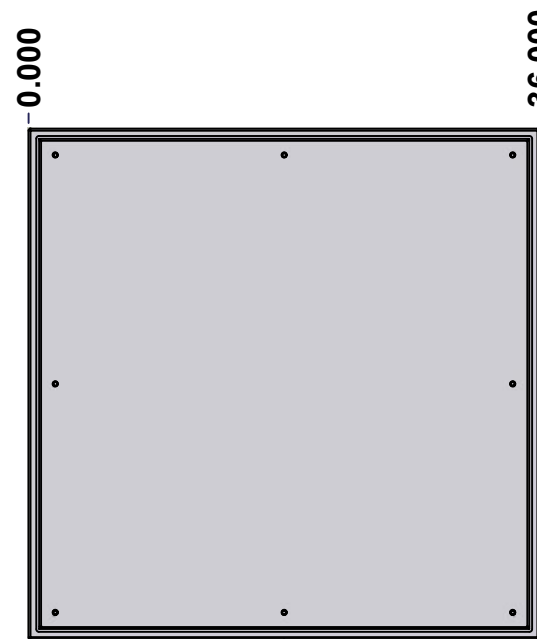
TOP



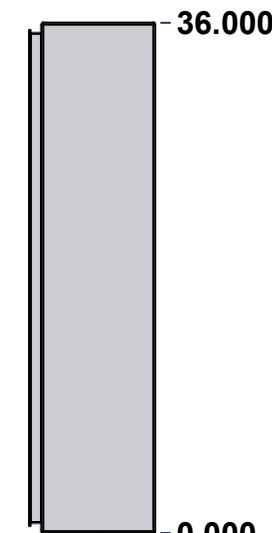
BACK



LEFT



FRONT

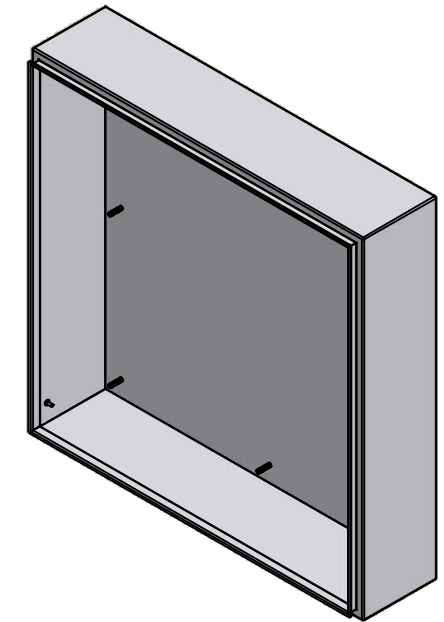


RIGHT



BOTTOM

| No. | Revisions | Date | By/Par |
|-----|-----------|------|--------|
| | | | |
| | | | |
| | | | |
| | | | |
| | | | |



Isometric View

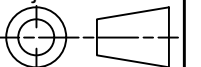


Tél: (450) 979-4373
 Fax: (450) 979-4626
www.exmweb.com

Flatness
Aplatissement

Max 3.0mm

Projection

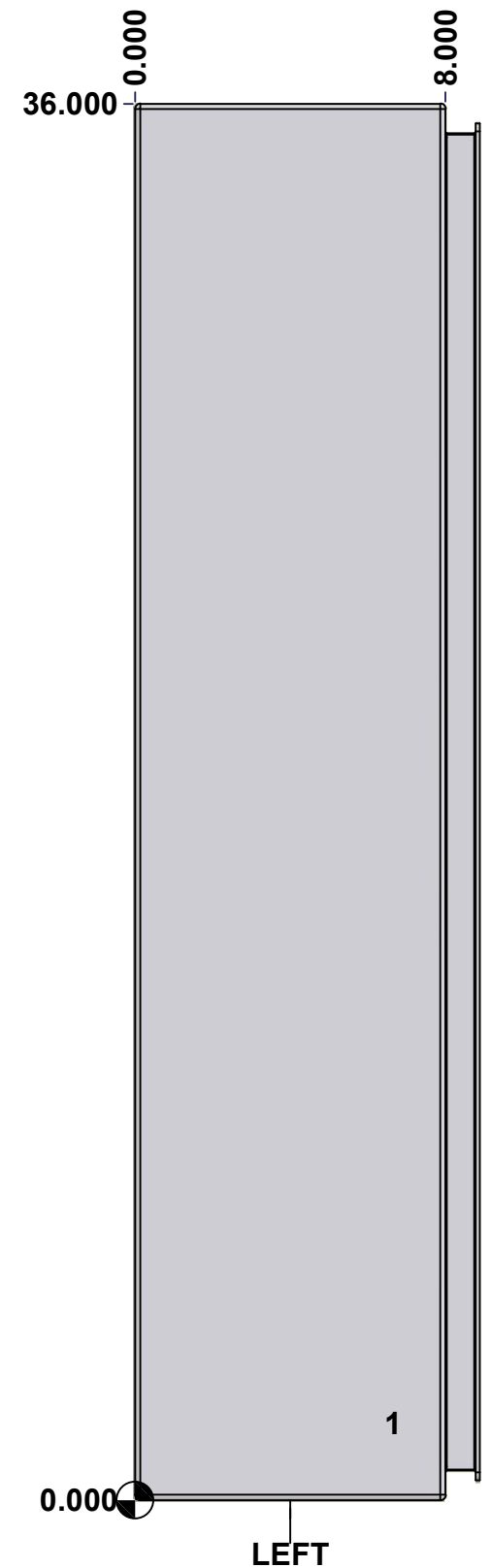


| | |
|---|-----------------------|
| Customer Client | Date |
| Drawn By / Dessiné Par: BoxCad: BoxCad | Date: 2022-12-06 |
| Material / Matière: Aluminum 5052-H32 (2.5mm) | |
| Color / Couleur: Asa-61 Grey | Finish / Fini: Smooth |
| Description: 5412EALQT 36" x 36" x 8" Body | Detail Rev. |
| Part Number / Numéro Pièce: 5412EALQT363608B | Rev. 3 |
| SEE BILL OF MATERIAL ON LAST PAGE | 0 |

This drawing is confidential and must not be reproduced or used without the consent of EXM

Ce dessin est confidentiel et ne doit pas être reproduit ou utilisé sans le consentement de EXM

| STANDARD FEATURES ARE NOT LISTED IN THIS HOLE TABLE | | | |
|--|-------|-------|-----------------------------|
| HOLE TABLE - LEFT VIEW (CUSTOM FEATURE ONLY) | | | |
| CUT-OUT | XDIM | YDIM | DESCRIPTION |
| 1 | 6.500 | 2.000 | GND STUD M6 x 16mm (Inside) |



| | | | |
|--|-------------------------------|----------|-----|
| | Description | Status | |
| | 5412EALQT 36" x 36" x 8" Body | (NULL) | |
| | Part Number Numéro Pièce | Rev. | |
| | 5412EALQT363608B | 0 | 4/9 |

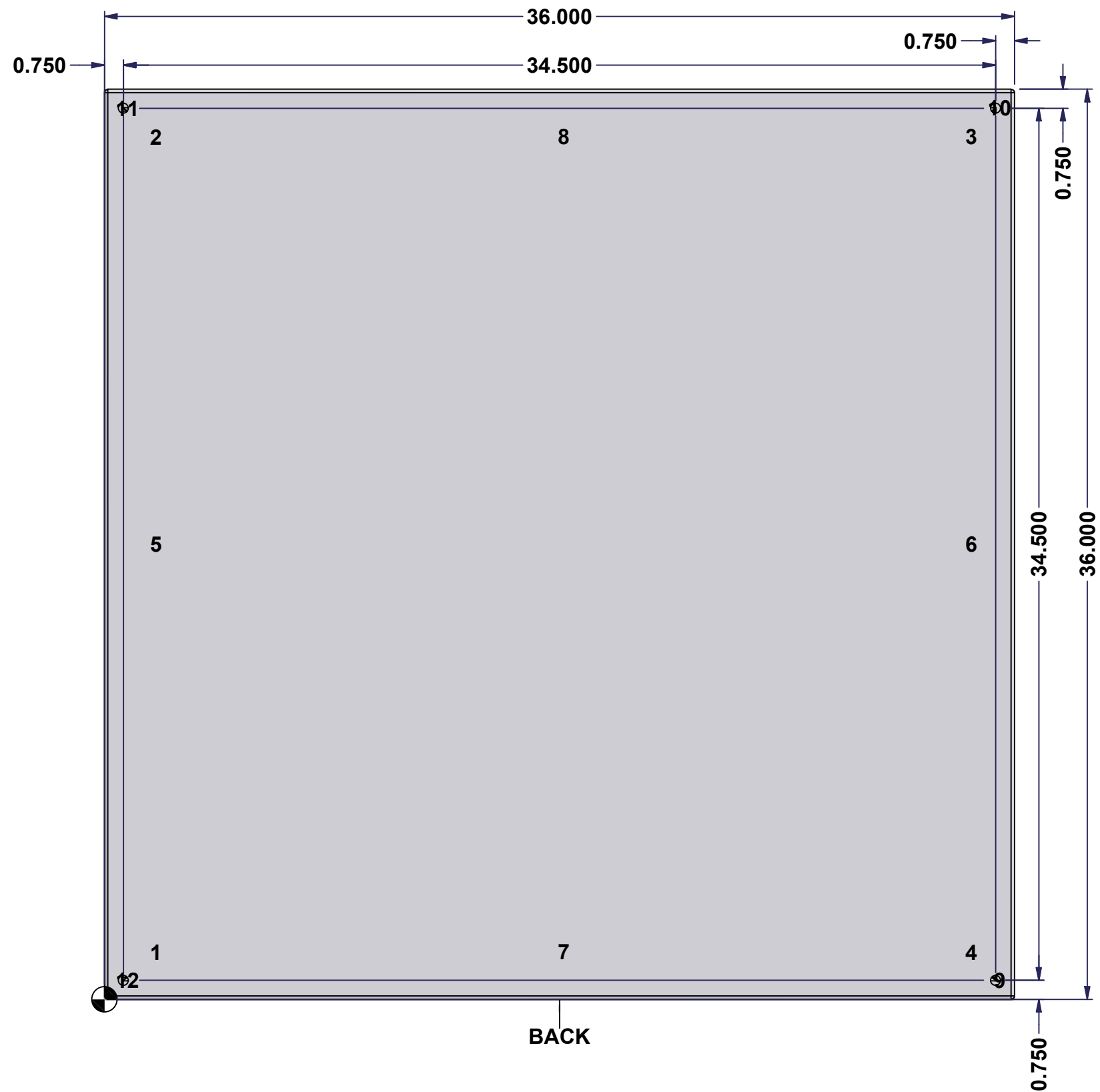
This drawing is confidential and must not be reproduced or used without the consent of EXM

Ce dessin est confidentiel et ne doit pas être reproduit ou utilisé sans le consentement de EXM

STANDARD FEATURES ARE NOT LISTED IN THIS HOLE TABLE

HOLE TABLE - BACK VIEW (CUSTOM FEATURE ONLY)

| CUT-OUT | XDIM | YDIM | DESCRIPTION |
|---------|--------|--------|----------------------------|
| 1 | 1.875 | 1.875 | IP STUD M8 x 35mm (Inside) |
| 2 | 1.875 | 34.125 | IP STUD M8 x 35mm (Inside) |
| 3 | 34.125 | 34.125 | IP STUD M8 x 35mm (Inside) |
| 4 | 34.125 | 1.875 | IP STUD M8 x 35mm (Inside) |
| 5 | 1.875 | 18.000 | IP STUD M8 x 35mm (Inside) |
| 6 | 34.125 | 18.000 | IP STUD M8 x 35mm (Inside) |
| 7 | 18.000 | 1.875 | IP STUD M8 x 35mm (Inside) |
| 8 | 18.000 | 34.125 | IP STUD M8 x 35mm (Inside) |
| ----- | | | |
| 9 | 35.250 | 0.750 | RND Ø0.390 |
| 10 | 35.250 | 35.250 | RND Ø0.390 |
| 11 | 0.750 | 35.250 | RND Ø0.390 |
| 12 | 0.750 | 0.750 | RND Ø0.390 |

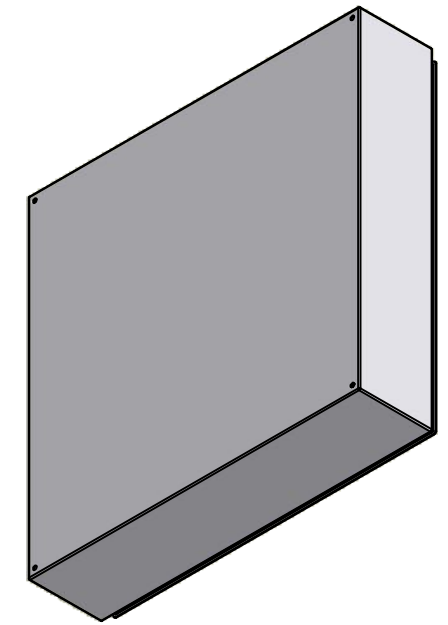


| | | | |
|-------------------------|-------------------------------|----------|---|
| | Description | Status | |
| | 5412EALQT 36" x 36" x 8" Body | (NULL) | |
| | Part Number | Rev. | 5 |
| | Numéro Pièce | 0 | 9 |
| 5412EALQT363608B | | | |

This drawing is confidential and must not be reproduced or used without the consent of EXM


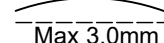
Ce dessin est confidentiel et ne doit pas être reproduit ou utilisé sans le consentement de EXM

| No. | Revisions | Date | By/Par |
|-----|-----------|------|--------|
| | | | |
| | | | |
| | | | |
| | | | |
| | | | |



Isometric View



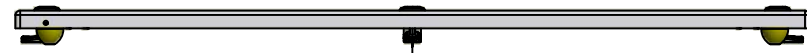
| | | |
|--|-----------------------|---|
|  Tél: (450) 979-4373 Fax: (450) 979-4626 www.exmweb.com | | Flatness Aplatissement  Max 3.0mm |
| Customer Client | | Date |
| Drawn By / Dessiné Par: BoxCad: BoxCad | | Date: 2022-12-06 |
| Material / Matière: Aluminum 5052-H32 (2.5mm) | | |
| Color / Couleur: Asa-61 Grey | Finish / Fini: Smooth | |
| Description: 5412EALQT 36" x 36" x 8" Body | | Detail Rev. |
| Part Number / Numéro Pièce: 5412EALQT363608B | | Rev. 0 |

| Qty | Part Number | Rev | Description |
|------------|--------------------|-----|-------------------------------------|
| 1 | STK-Q-16090 | 0 | Ground Stud M6 x 16mm Aluminum |
| 1 | STK-P-02400S | 0 | Powder Paint (Asa-61 Grey / Smooth) |
| 8 | STK-Q-16010 | 0 | Stud M8 x 35mm Aluminum |
| 1 | 5412EALQT363608B-P | 0 | 5412EALQT 36" x 36" x 8" Body Part |
| Parts List | | | |

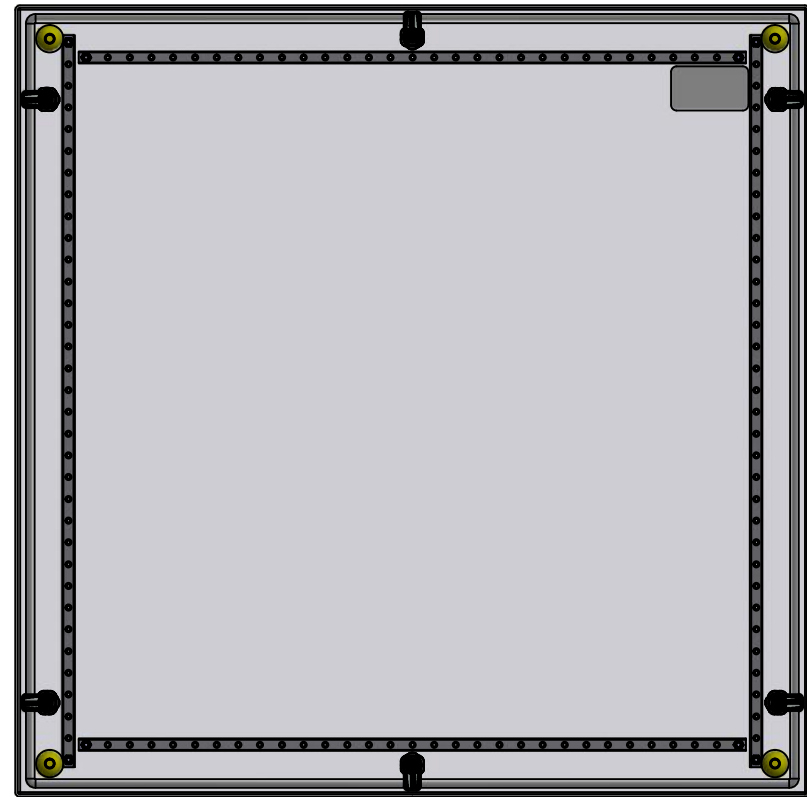
| |
|---|
| 6 |
| 9 |

This drawing is confidential and must not be reproduced or used without the consent of EXM

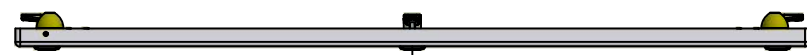
Ce dessin est confidentiel et ne doit pas être reproduit ou utilisé sans le consentement de EXM



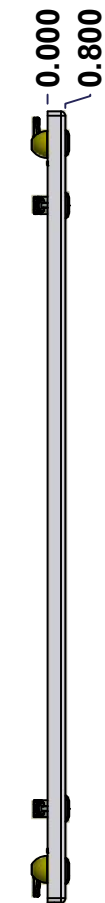
TOP



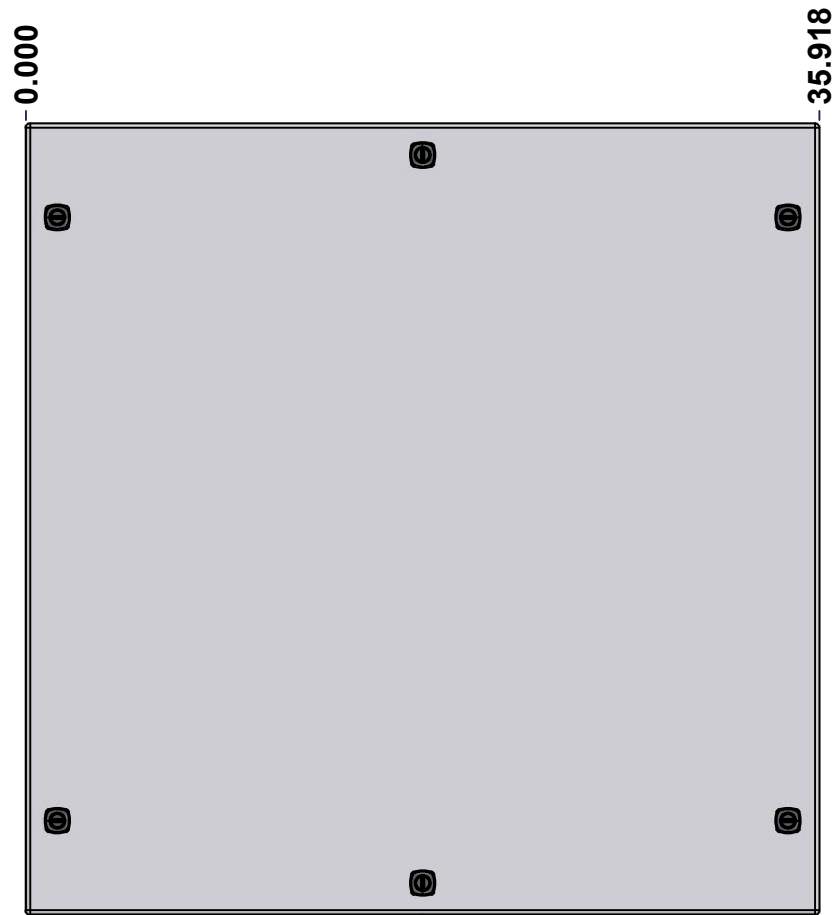
BACK



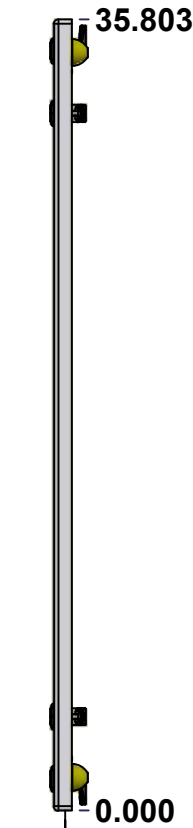
BOTTOM



LEFT

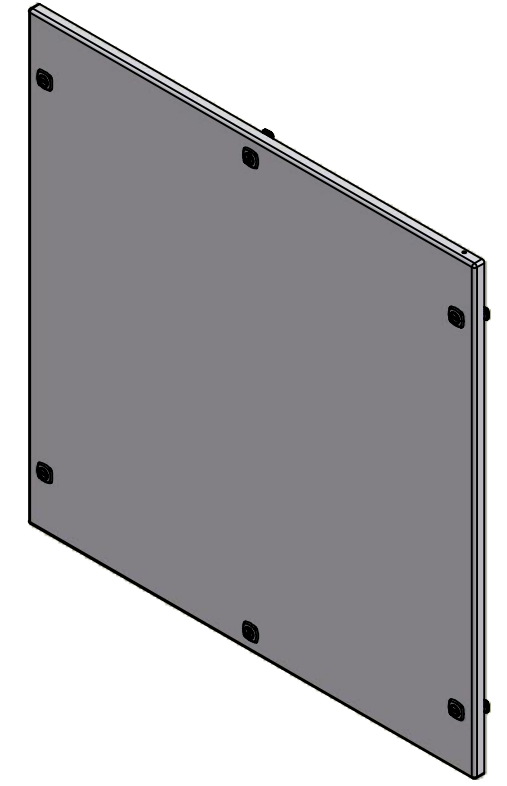


FRONT



RIGHT

| No. | Revisions | Date | By/Par |
|-----|-----------|------|--------|
| | | | |
| | | | |
| | | | |
| | | | |



Isometric View

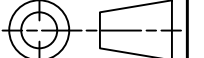


Tél: (450) 979-4373
 Fax: (450) 979-4626
www.exmweb.com

Flatness
Aplatissement

Max 3.0mm

Projection



| | |
|---|-----------------------|
| Customer Client | Date |
| Drawn By Dessiné Par BoxCad: BoxCad | Date 2022-12-06 |
| Material Matière Aluminum 5052-H32 (2.5mm) | |
| Color Couleur Asa-61 Grey | Finish Fini Smooth |

| | |
|--|-------------|
| Description 5412EALQT 36" x 36" Cover | Detail Rev. |
|--|-------------|

| | | |
|---|---------------|--------|
| Part Number Numéro Pièce 5412EALQT363608C | Rev. 0 | 7 9 |
|---|---------------|--------|

SEE BILL OF MATERIAL ON LAST PAGE

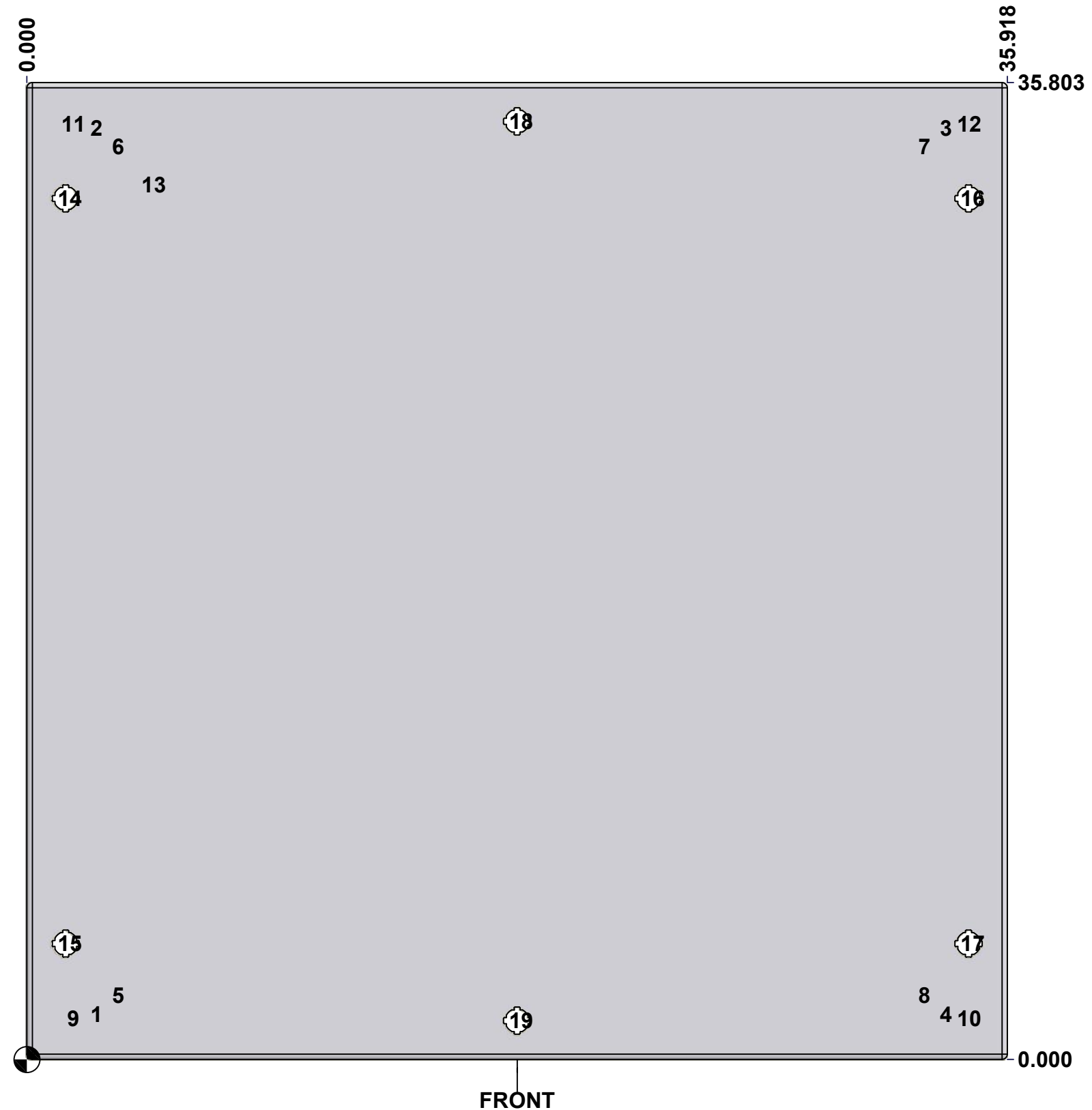
This drawing is confidential and must not be reproduced or used without the consent of EXM

Ce dessin est confidentiel et ne doit pas être reproduit ou utilisé sans le consentement de EXM

STANDARD FEATURES ARE NOT LISTED IN THIS HOLE TABLE

HOLE TABLE - FRONT VIEW (CUSTOM FEATURE ONLY)

| CUT-OUT | XDIM | YDIM | DESCRIPTION |
|---------|--------|--------|---------------------------|
| 1 | 2.401 | 1.661 | STUD M6 x 18mm (Inside) |
| 2 | 2.401 | 34.142 | STUD M6 x 18mm (Inside) |
| 3 | 33.517 | 34.142 | STUD M6 x 18mm (Inside) |
| 4 | 33.517 | 1.661 | STUD M6 x 18mm (Inside) |
| 5 | 3.195 | 2.350 | STUD M6 x 18mm (Inside) |
| 6 | 3.195 | 33.453 | STUD M6 x 18mm (Inside) |
| 7 | 32.723 | 33.453 | STUD M6 x 18mm (Inside) |
| 8 | 32.723 | 2.350 | STUD M6 x 18mm (Inside) |
| 9 | 1.550 | 1.500 | STUD M6 x 18mm (Inside) |
| 10 | 34.368 | 1.500 | STUD M6 x 18mm (Inside) |
| 11 | 1.550 | 34.303 | STUD M6 x 18mm (Inside) |
| 12 | 34.368 | 34.303 | STUD M6 x 18mm (Inside) |
| ----- | | | |
| 13 | 4.500 | 32.053 | LABEL_EXM (Inside) |
| 14 | 1.424 | 31.553 | LOCK 880 SCQ4-SL @ 180.0° |
| 15 | 1.424 | 4.250 | LOCK 880 SCQ4-SL @ 180.0° |
| 16 | 34.494 | 31.553 | LOCK 880 SCQ4-SL @ 0.0° |
| 17 | 34.494 | 4.250 | LOCK 880 SCQ4-SL @ 0.0° |
| 18 | 17.959 | 34.379 | LOCK 880 SCQ4-SL @ 90.0° |
| 19 | 17.959 | 1.424 | LOCK 880 SCQ4-SL @ 270.0° |

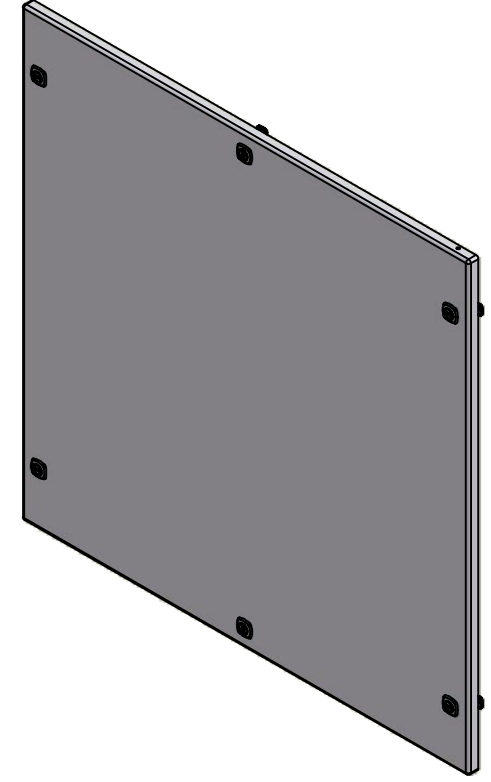


| | | |
|--|-----------------------------|--------------|
| | Description | Status |
| | 5412EALQT 36" x 36" Cover | (NULL) |
| | Part Number Numéro Pièce | Rev. |
| | 5412EALQT363608C | 0 / 8 |
| | | 9 |

This drawing is confidential and must not be reproduced or used without the consent of EXM

Ce dessin est confidentiel et ne doit pas être reproduit ou utilisé sans le consentement de EXM


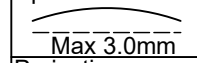
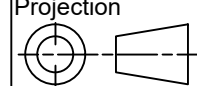
| No. | Revisions | Date | By/Par |
|-----|-----------|------|--------|
| | | | |
| | | | |
| | | | |
| | | | |
| | | | |



Isometric View

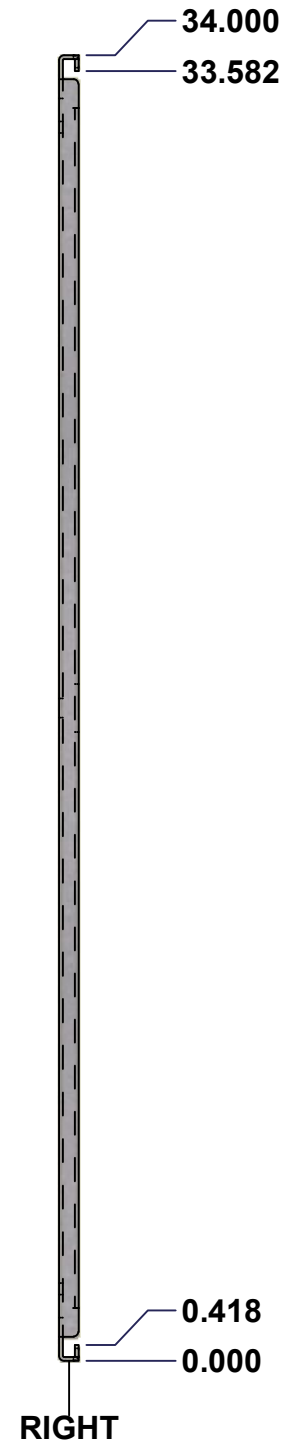
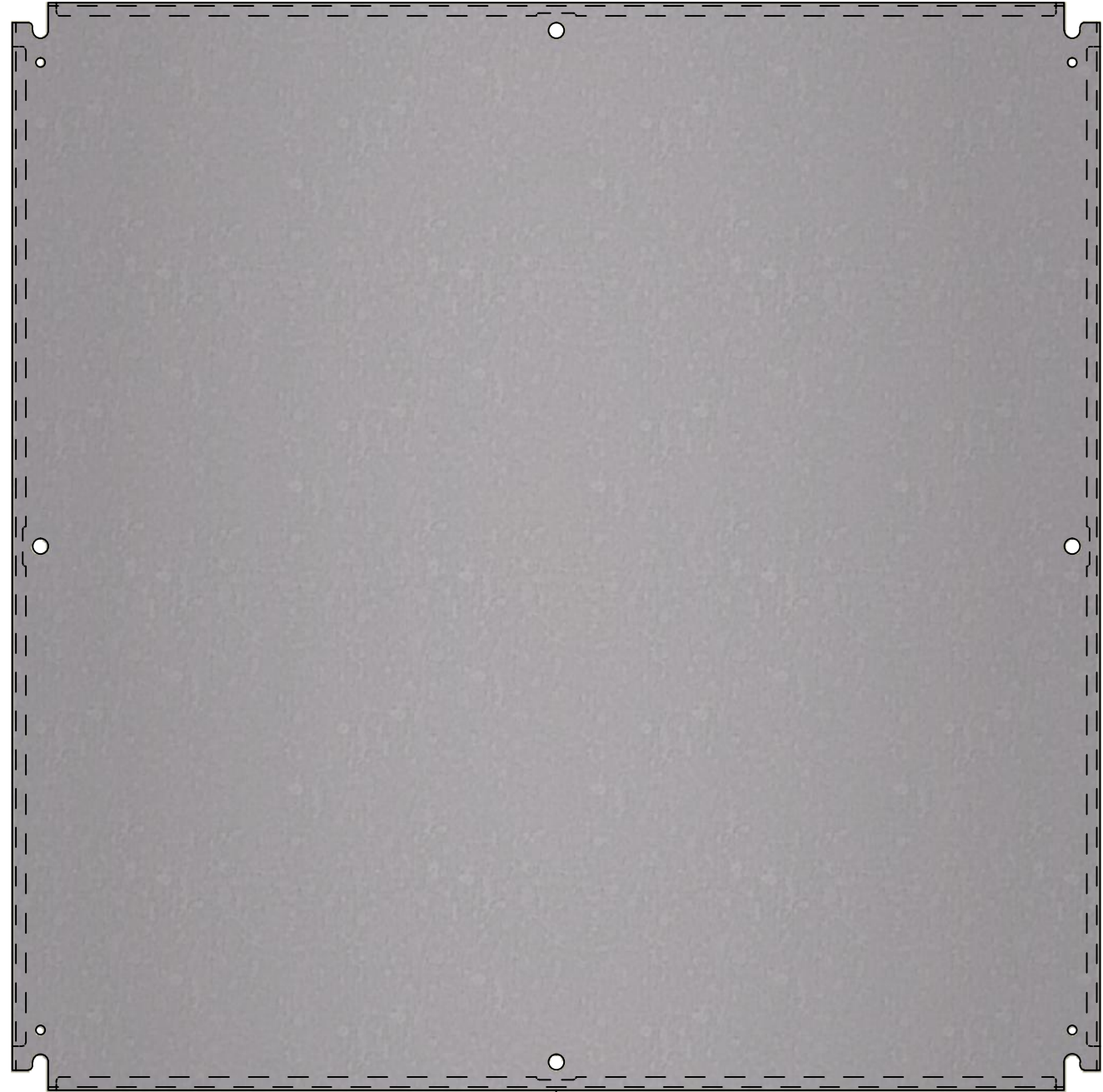
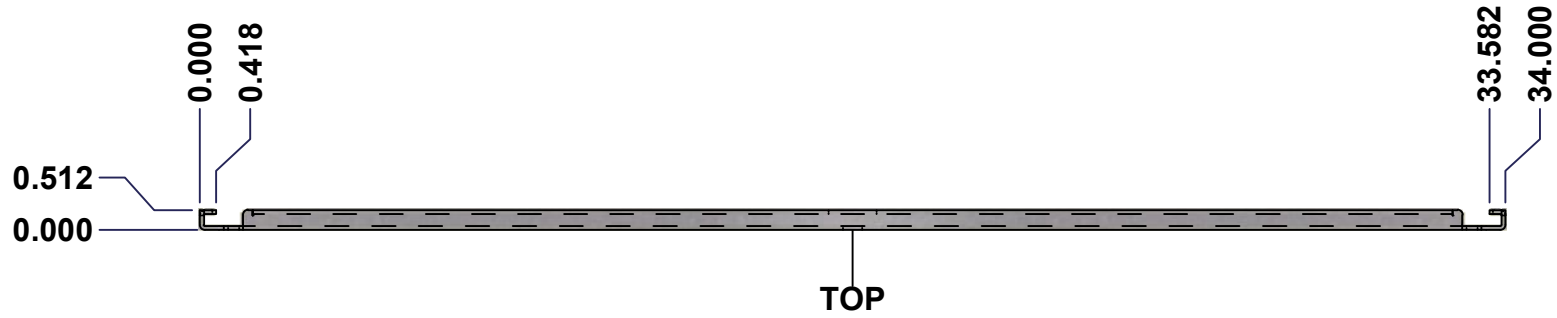


| Qty | Part Name | Rev | Description |
|------------|--------------------|-------|---|
| 1 | STK-S-00100 | 0 | 3.5" x 2" Silver Milar Flexcon Sticker |
| 1 | STK-P-02400S | 0 | Powder Paint (Asa-61 Grey / Smooth) |
| 2 | STK-Q-46020-36 | 5 | 5412 ES Vertical Door Stiffener 36" |
| 12 | STK-Q-16060 | 0 | Stud M6 x 18mm Aluminum |
| 2 | STK-Q-46025-36-3 | 0.1.1 | 5412 ES Horizontal Door Stiffener 36" (3 Pts) |
| 1 | 5412EALQT363608G | 0 | 5412EALQT 36" x 36" Cover Gasket Part |
| 1 | 5412EALQT363608C-P | 0 | 5412EALQT 36" x 36" Cover Part |
| 6 | 880 SCQ4-SL | 6 | 5412 ES 1/4 Turn Lock |
| 8 | STK-Q-07220 | 1 | M6 Nylon Insert Lock Nut |
| 4 | STK-Q-46515 | 3 | 5412 ES Door Support with Brass Insert |
| Parts List | | | |

| | | |
|--|---------------------------|--|
|  Tél: (450) 979-4373 Fax: (450) 979-4626 www.exmweb.com | | Flatness Aplatissement  Max 3.0mm Projection  |
| Customer Client | Date | |
| Drawn By Dessiné Par | BoxCad: BoxCad | Date 2022-12-06 |
| Material Matière | Aluminum 5052-H32 (2.5mm) | |
| Color Couleur | Asa-61 Grey | Finish Fini Smooth |
| Description | | Detail Rev. |
| 5412EALQT 36" x 36" Cover | | |
| Part Number Numéro Pièce | Rev. | 9 |
| 5412EALQT363608C | 0 | 9 |

This drawing is confidential and must not be reproduced or used without the consent of EXM

Ce dessin est confidentiel et ne doit pas être reproduit ou utilisé sans le consentement de EXM



| No. | Revisions | Date | By/Par |
|-----|-----------|------|--------|
| | | | |
| | | | |
| | | | |
| | | | |
| | | | |



Isometric View



Tél: (450) 979-4373
Fax: (450) 979-4626
www.exmweb.com

Flatness
Aplatissement
Max 3.0mm
Projection

| | |
|--------------------------------|-----------------|
| Customer Client | Date |
| Drawn By / Dessiné Par: BoxCad | Date: 23-Jan-07 |
| Material Matière | See Part List |
| Color Couleur | See Part List |
| Finish Fini | See Part List |

Description: 881 SP - Inner Panel

| Qty | Part Number | Rev | Description | Material | Color | Finish |
|-----|---------------|-----|---------------------------|------------------|-----------|------------|
| 1 | 881 SP3636G-P | 0 | 881 SP - Inner Panel Part | 12 Ga Galvanized | Unpainted | Galvanized |

Parts List

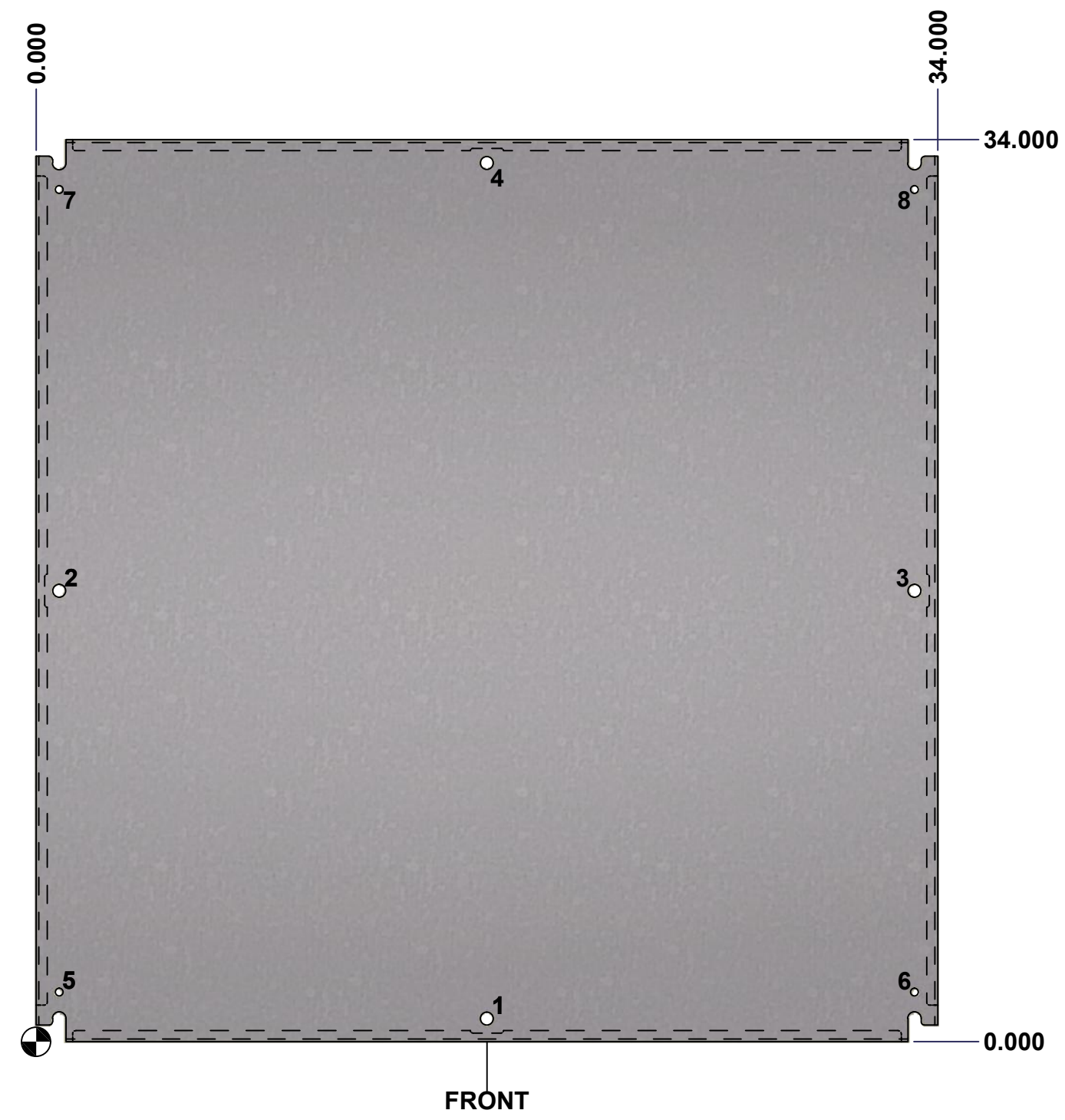
| | | |
|--|--------|-------|
| Part Number / Numéro Pièce: 881 SP3636G | Rev. 0 | 1 / 2 |
|--|--------|-------|

This drawing is confidential and must not be reproduced or used without the consent of EXM

Ce dessin est confidentiel et ne doit pas être reproduit ou utilisé sans le consentement de EXM

| Table 1 | | | FRONT VIEW |
|---------|--------|--------|----------------------------|
| CUT-OUT | XDIM | YDIM | DESCRIPTION |
| 1 | 17.000 | 0.875 | MTG STUD HOLE (RND Ø0.500) |
| 2 | 0.875 | 17.000 | MTG STUD HOLE (RND Ø0.500) |
| 3 | 33.125 | 17.000 | MTG STUD HOLE (RND Ø0.500) |
| 4 | 17.000 | 33.125 | MTG STUD HOLE (RND Ø0.500) |
| 5 | 0.875 | 1.875 | GROUND HOLE (RND Ø0.290) |
| 6 | 33.125 | 1.875 | GROUND HOLE (RND Ø0.290) |
| 7 | 0.875 | 32.125 | GROUND HOLE (RND Ø0.290) |
| 8 | 33.125 | 32.125 | GROUND HOLE (RND Ø0.290) |

All knockouts are actual size / Les disques défonçables sont grandeur réel



| No. | Revisions | Date | By/Par |
|-----|-----------|------|--------|
| | | | |
| | | | |
| | | | |
| | | | |
| | | | |



Isometric View



| | | |
|-----------------------------|--|------------------------------|
| | Tél: (450) 979-4373 Fax: (450) 979-4626 www.exmweb.com | Flatness Aplatissement |
| | | Max 3.0mm |
| Projection | | |
| Customer Client | | Date |
| Drawn By Dessiné Par | BoxCad | Date 23-Jan-07 |
| Material Matière | See Part List | |
| Color Couleur | See Part List | Finish Fini See Part List |
| Description | Detail Rev. | |
| 881 SP - Inner Panel | | |
| Part Number Numéro Pièce | Rev. | 2 |
| 881 SP3636G | 0 | 2 |