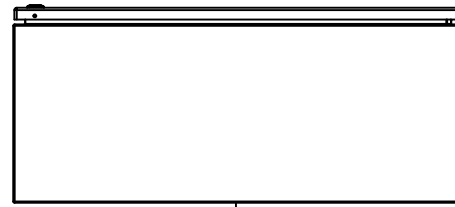


This drawing is confidential and must not be reproduced or used without the consent of EXM

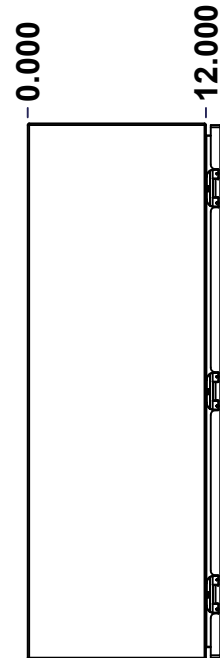
Ce dessin est confidentiel et ne doit pas être reproduit ou utilisé sans le consentement de EXM



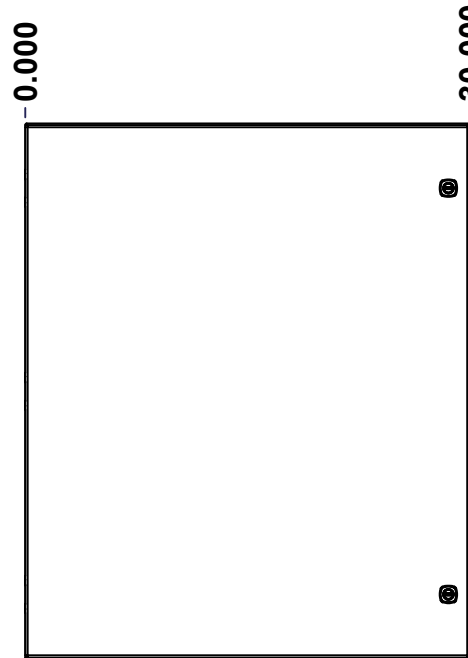
TOP



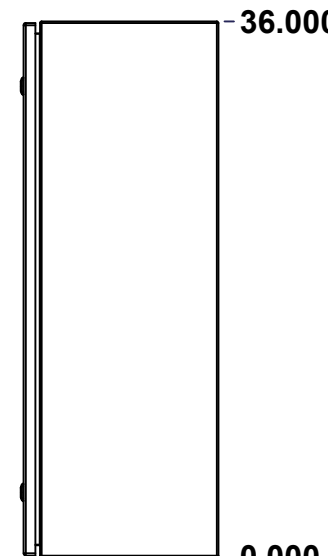
BACK



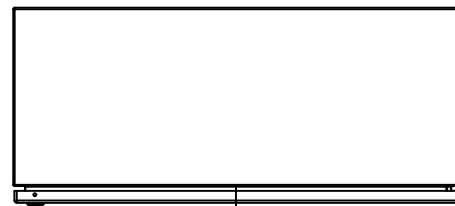
LEFT



FRONT

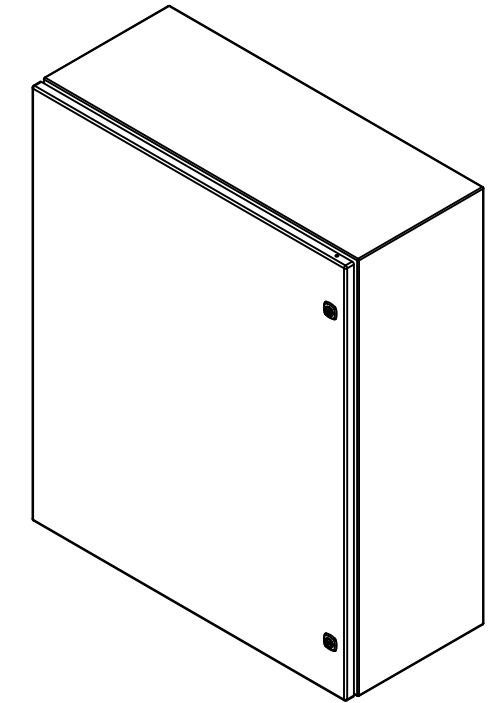


RIGHT



BOTTOM

| No. | Revisions | Date | By/Par |
|-----|-----------|------|--------|
|     |           |      |        |
|     |           |      |        |
|     |           |      |        |
|     |           |      |        |
|     |           |      |        |



Isometric View

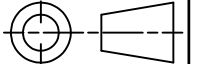


Tél: (450) 979-4373  
 Fax: (450) 979-4626  
[www.exmweb.com](http://www.exmweb.com)

Flatness  
Aplatissement

Max 3.0mm

Projection



|   |                               |
|---|-------------------------------|
| Customer Client   | Date                          |
| Drawn By / Dessiné Par: BoxCad: BoxCad                        | Date: 4/12/2017               |
| Material / Matière: 14 Ga Cold Rolled A1008 CS Type B (1.7mm) |                               |
| Color / Couleur: Light Grey RAL7035                           | Finish / Fini: Rough Textured |
| Description: 5412ES 36" x 30" x 12" Assembly                  | Detail Rev.                   |
| Part Number / Numéro Pièce: 5412ESB363012                     | Rev. 1/2                      |

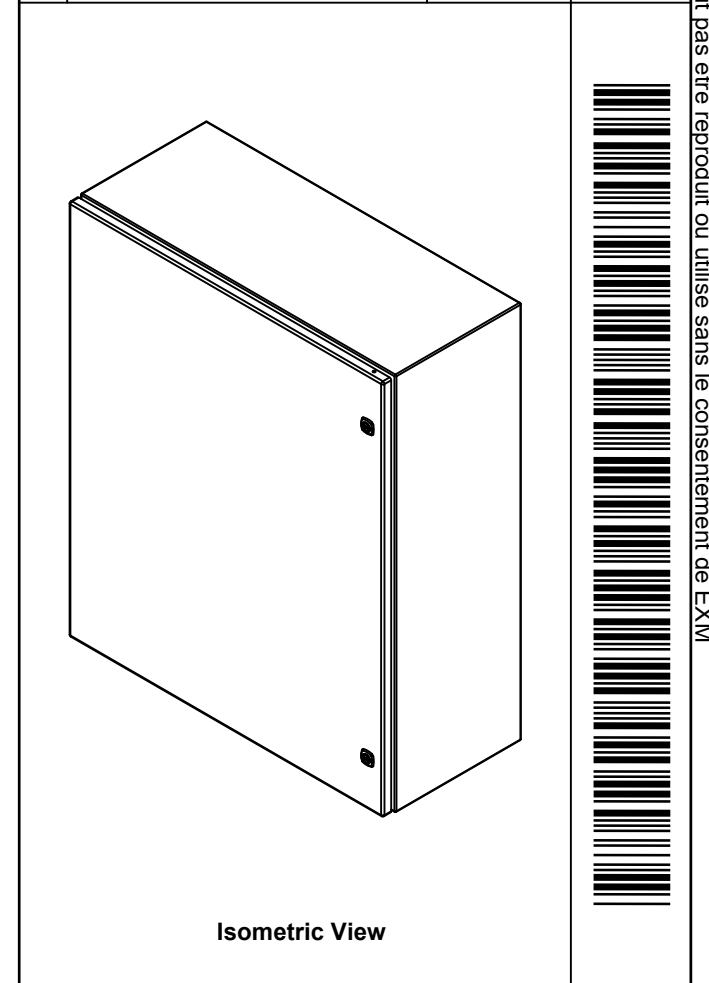
SEE BILL OF MATERIAL ON LAST PAGE

This drawing is confidential and must not be reproduced or used without the consent of EXM


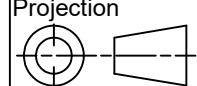
Ce dessin est confidentiel et ne doit pas être reproduit ou utilisé sans le consentement de EXM

| NOTE |  |
|------|--|
| ITEM | DESCRIPTION                                |
| 1    | NEMA 4/12 Enclosure                        |
| 2    | C/W Standard ground studs on box and cover |
| 3    | C/W Standard door stiffener                |
| 4    | C/W Standard inner panel (Included)        |
| 5    | C/W Standard inner panel mounting studs    |

| No. | Revisions | Date | By/Par |
|-----|-----------|------|--------|
|     |           |      |        |
|     |           |      |        |
|     |           |      |        |
|     |           |      |        |
|     |           |      |        |
|     |           |      |        |



Isometric View

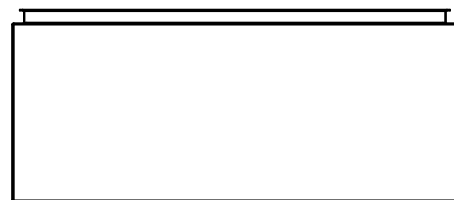
|  |   |   |
|--|---|---|
|  Tél: (450) 979-4373<br>Fax: (450) 979-4626<br><a href="http://www.exmweb.com">www.exmweb.com</a> |   | Flatness<br>Aplatissement<br>Max 3.0mm<br>Projection<br> |
| Customer<br>Client   | Date                                      |   |
| Drawn By<br>Dessiné Par  | BoxCad: BoxCad                            | Date 4/12/2017  |
| Material<br>Matière  | 14 Ga Cold Rolled A1008 CS Type B (1.7mm) |   |
| Color<br>Couleur   | Light Grey RAL7035                        | Finish<br>Fini Rough Textured   |
| Description  | 5412ES 36" x 30" x 12" Assembly           |   |
| Part Number<br>Numéro Pièce  | <b>5412ESB363012</b>                      | Rev. 2<br><b>0</b>  |

| PACKING               |     |  |
|-----------------------|-----|--|
| ITEM                  | QTY | DESCRIPTION                                |
| Cardboard sleeve      | 2   | Top and Bottom                             |
| Cardboard strip       | 2   | Between back of enclosure and inner panel  |
| Plastic bag           | 1   | To protect cover surface and inside gasket |
| Plastic strap - Black | 2   | To Squeeze the 2 cardboard sleeve together |
| Packaging label       | 1   | White label with product number            |

| Qty        | Part Number    | Rev | Description  |
|------------|----------------|-----|--|
| 1          | 880 PP         | 6   | Self Adhesive Print Pocket                             |
| 1          | STK-K-01800    | 5   | 5412 ES Accessory Kit                                  |
| 1          | 881 SP3630G    | 0   | 881 SP - Inner Panel                                   |
| 1          | 5412ESB363012C | 0   | 5412ES 36" x 30" Cover                                 |
| 6          | STK-Q-07310    | 2   | Flange Lock Nut M8                                     |
| 6          | STK-Q-07610    | 8   | M8 Plastic Spacer 22.2mm                               |
| 1          | 5412ESB363012B | 0   | 5412ES 36" x 30" x 12" Body                            |
| 3          | STK-Q-04050-07 | 7   | M6 x 7mm Hexagon Socket Head Machine Screw with Nyseal |
| Parts List |                |     |  |

This drawing is confidential and must not be reproduced or used without the consent of EXM

Ce dessin est confidentiel et ne doit pas être reproduit ou utilisé sans le consentement de EXM



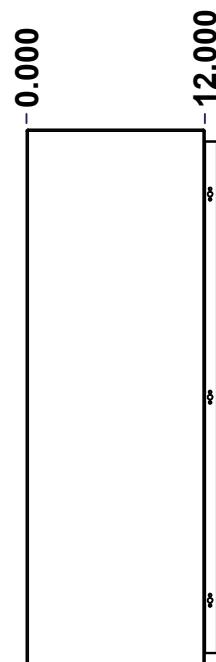
TOP



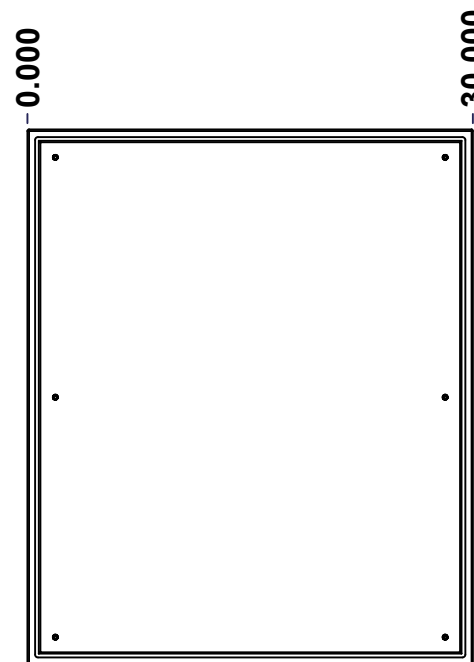
BACK



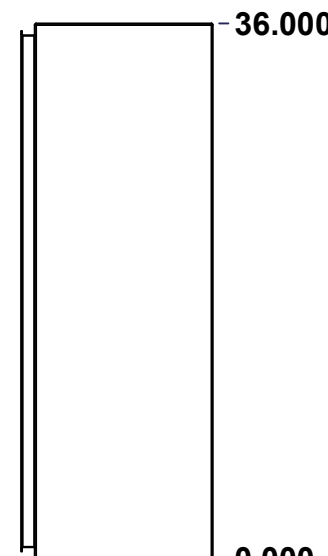
BOTTOM



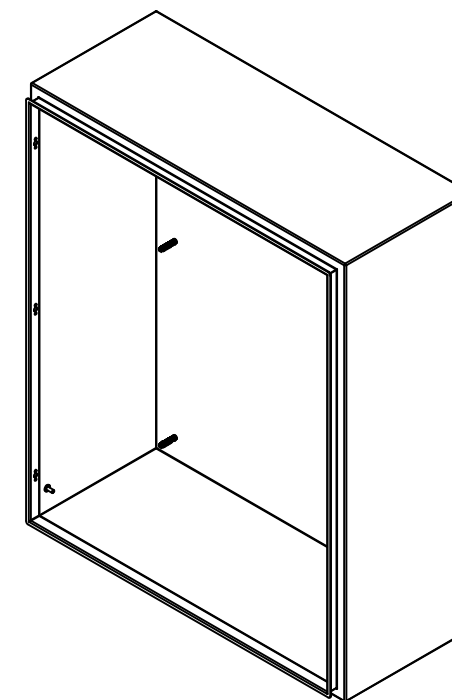
LEFT



FRONT




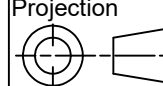
RIGHT



Isometric View



| No. | Revisions | Date | By/Par |
|-----|-----------|------|--------|
|     |           |      |        |
|     |           |      |        |
|     |           |      |        |
|     |           |      |        |
|     |           |      |        |

|  |   |   |
|--|---|---|
|  Tél: (450) 979-4373<br>Fax: (450) 979-4626<br><a href="http://www.exmweb.com">www.exmweb.com</a> |   | Flatness<br>Aplatissement<br>Max 3.0mm<br>Projection<br> |
| Customer<br>Client   | Date                                      |   |
| Drawn By<br>Dessiné Par  | BoxCad: BoxCad                            | Date 4/12/2017  |
| Material<br>Matière  | 14 Ga Cold Rolled A1008 CS Type B (1.7mm) |   |
| Color<br>Couleur   | Light Grey RAL7035                        | Finish<br>Fin<br>Rough<br>Textured  |
| Description  | 5412ES 36" x 30" x 12" Body               |   |
| Part Number<br>Numéro Pièce  | Rev. 0                                    | 1 / 7   |

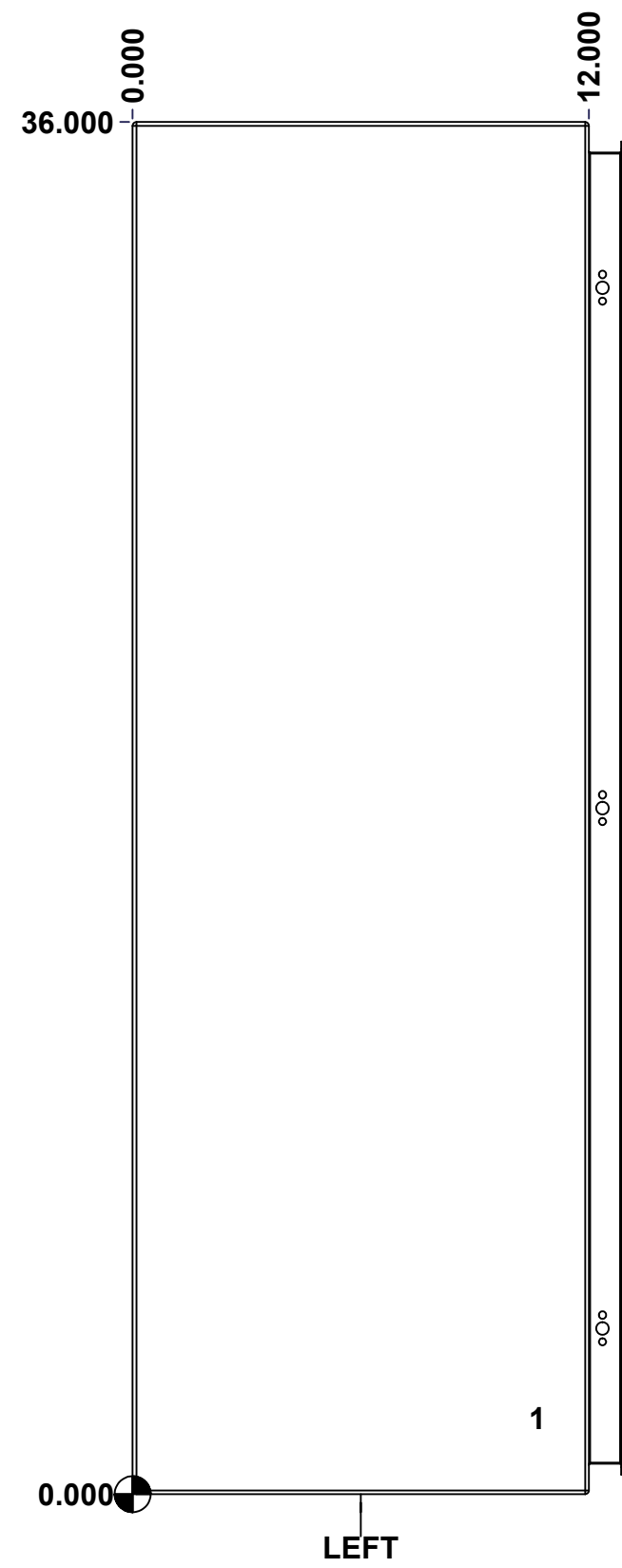
SEE BILL OF MATERIAL ON LAST PAGE

**5412ESB363012B**

This drawing is confidential and must not be reproduced or used without the consent of EXM

Ce dessin est confidentiel et ne doit pas être reproduit ou utilisé sans le consentement de EXM

| <b>STANDARD FEATURES ARE NOT LISTED IN THIS HOLE TABLE</b> |        |       |                             |
|--|--------|-------|-----------------------------|
| <b>HOLE TABLE - LEFT VIEW (CUSTOM FEATURE ONLY)</b>        |        |       |                             |
| CUT-OUT  | XDIM   | YDIM  | DESCRIPTION                 |
| 1  | 10.500 | 2.000 | GND STUD M6 x 16mm (Inside) |



|  |                             |          |        |
|--|-----------------------------|----------|--------|
|  | Description                 | Status   |        |
|  | 5412ES 36" x 30" x 12" Body |          |        |
|  | Part Number<br>Numéro Pièce | Rev.     | 5<br>7 |
|  | <b>5412ESB363012B</b>       | <b>0</b> |        |

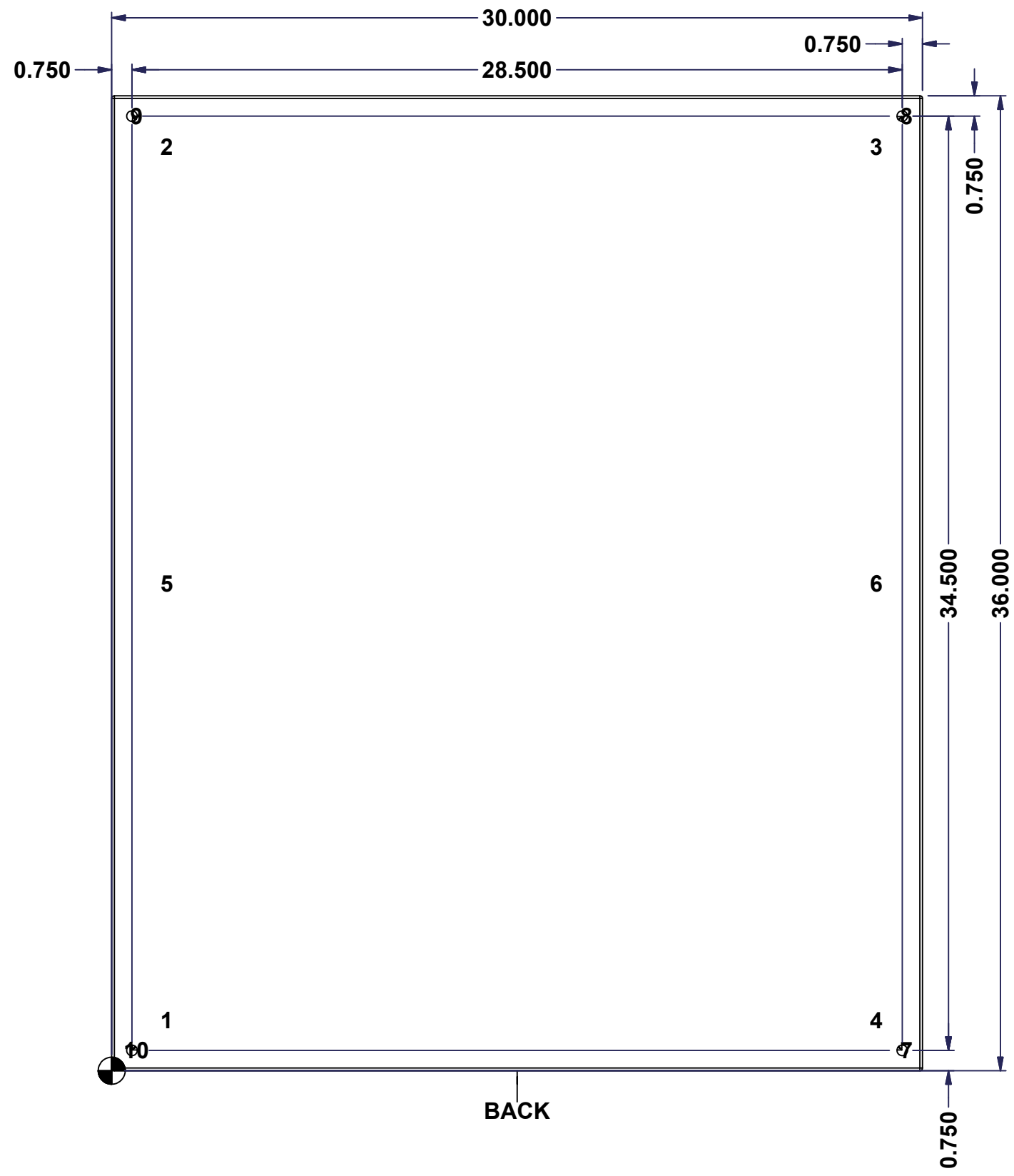
This drawing is confidential and must not be reproduced or used without the consent of EXM

Ce dessin est confidentiel et ne doit pas être reproduit ou utilisé sans le consentement de EXM

**STANDARD FEATURES ARE NOT LISTED IN THIS HOLE TABLE**

**HOLE TABLE - BACK VIEW (CUSTOM FEATURE ONLY)**

| CUT-OUT | XDIM   | YDIM   | DESCRIPTION                |
|---------|--------|--------|----------------------------|
| 1       | 1.875  | 1.875  | IP STUD M8 x 35mm (Inside) |
| 2       | 1.875  | 34.125 | IP STUD M8 x 35mm (Inside) |
| 3       | 28.125 | 34.125 | IP STUD M8 x 35mm (Inside) |
| 4       | 28.125 | 1.875  | IP STUD M8 x 35mm (Inside) |
| 5       | 1.875  | 18.000 | IP STUD M8 x 35mm (Inside) |
| 6       | 28.125 | 18.000 | IP STUD M8 x 35mm (Inside) |
| -----   |        |        |                            |
| 7       | 29.250 | 0.750  | RND Ø0.390                 |
| 8       | 29.250 | 35.250 | RND Ø0.390                 |
| 9       | 0.750  | 35.250 | RND Ø0.390                 |
| 10      | 0.750  | 0.750  | RND Ø0.390                 |

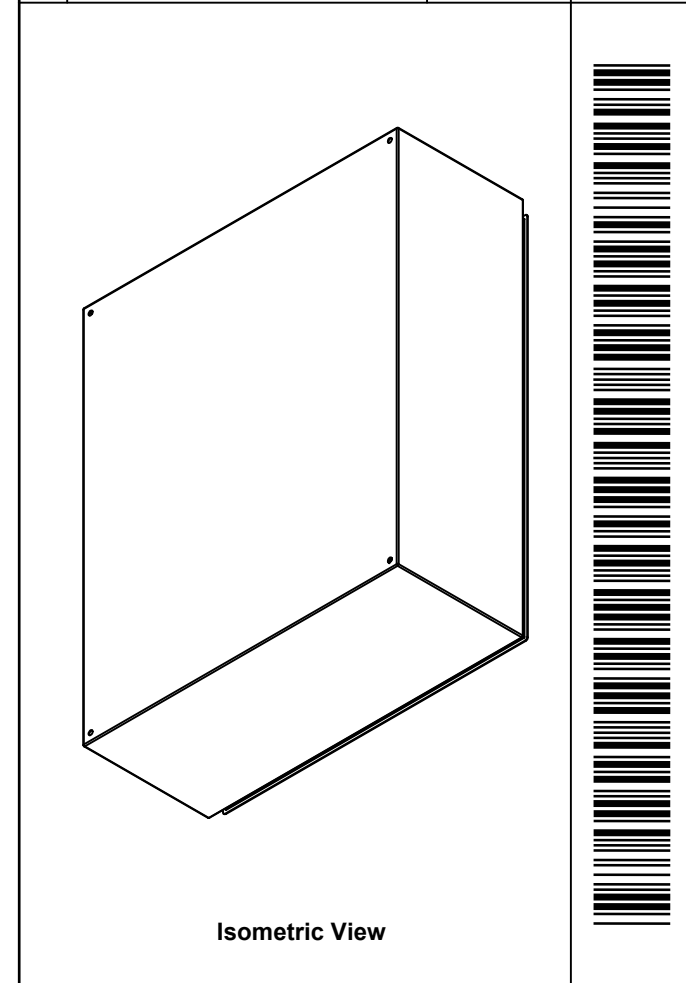



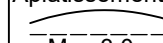
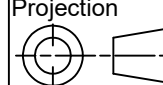
|  |                             |          |   |
|--|-----------------------------|----------|---|
|  | Description                 | Status   |   |
|  | 5412ES 36" x 30" x 12" Body |          |   |
|  | Part Number<br>Numéro Pièce | Rev.     | 6 |
|  | <b>5412ESB363012B</b>       | <b>0</b> | 7 |

This drawing is confidential and must not be reproduced or used without the consent of EXM

Ce dessin est confidentiel et ne doit pas être reproduit ou utilisé sans le consentement de EXM

| No. | Revisions | Date | By/Par |
|-----|-----------|------|--------|
|     |           |      |        |
|     |           |      |        |
|     |           |      |        |
|     |           |      |        |
|     |           |      |        |

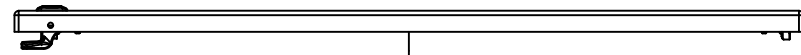


|  |   |  |
|--|---|--|
|  Tél: (450) 979-4373<br>Fax: (450) 979-4626<br><a href="http://www.exmweb.com">www.exmweb.com</a> |   | Flatness<br>Aplatissement<br><br>Max 3.0mm<br>Projection<br> |
| Customer<br>Client   | Date                                      |  |
| Drawn By<br>Dessiné Par  | BoxCad: BoxCad                            | Date 4/12/2017   |
| Material<br>Matière  | 14 Ga Cold Rolled A1008 CS Type B (1.7mm) |  |
| Color<br>Couleur   | Light Grey RAL7035                        | Finish<br>Fini<br>Rough<br>Textured  |
| Description  |   | Detail Rev.  |
| 5412ES 36" x 30" x 12" Body  |   |  |
| Part Number<br>Numéro Pièce  | Rev.                                      | 7  |
| <b>5412ESB363012B</b>  | <b>0</b>                                  | <b>7</b>   |

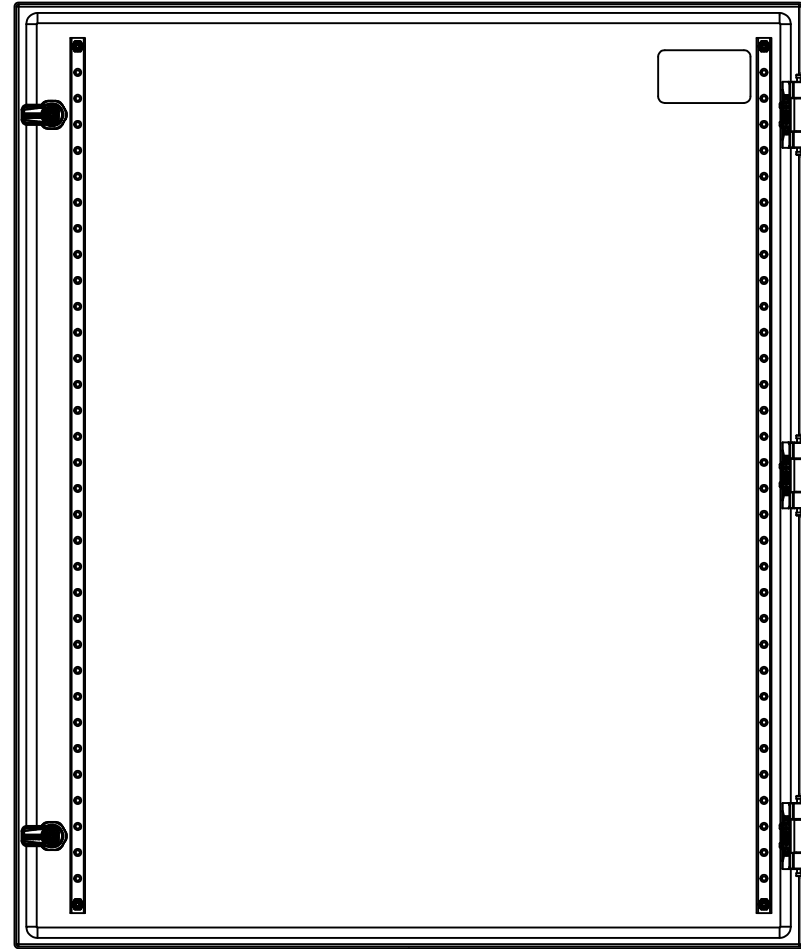
| Qty        | Part Number      | Rev | Description                                |
|------------|------------------|-----|--|
| 1          | STK-Q-16080      | 0   | Ground Stud M6 x 16mm                      |
| 1          | STK-P-03820R     | 0   | Powder Paint (Light Grey / Rough Textured) |
| 6          | STK-Q-16005      | 1   | Stud M8 x 35 (No Paint Cap Required)       |
| 1          | 5412ESB363012B-P | 0   | 5412ES 36" x 30" x 12" Body Part           |
| Parts List |                  |     |  |

This drawing is confidential and must not be reproduced or used without the consent of EXM

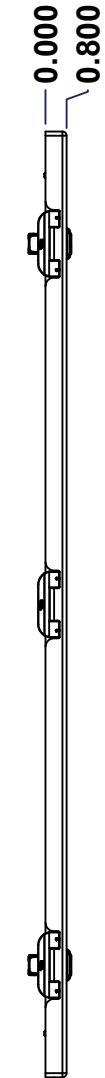
Ce dessin est confidentiel et ne doit pas être reproduit ou utilisé sans le consentement de EXM



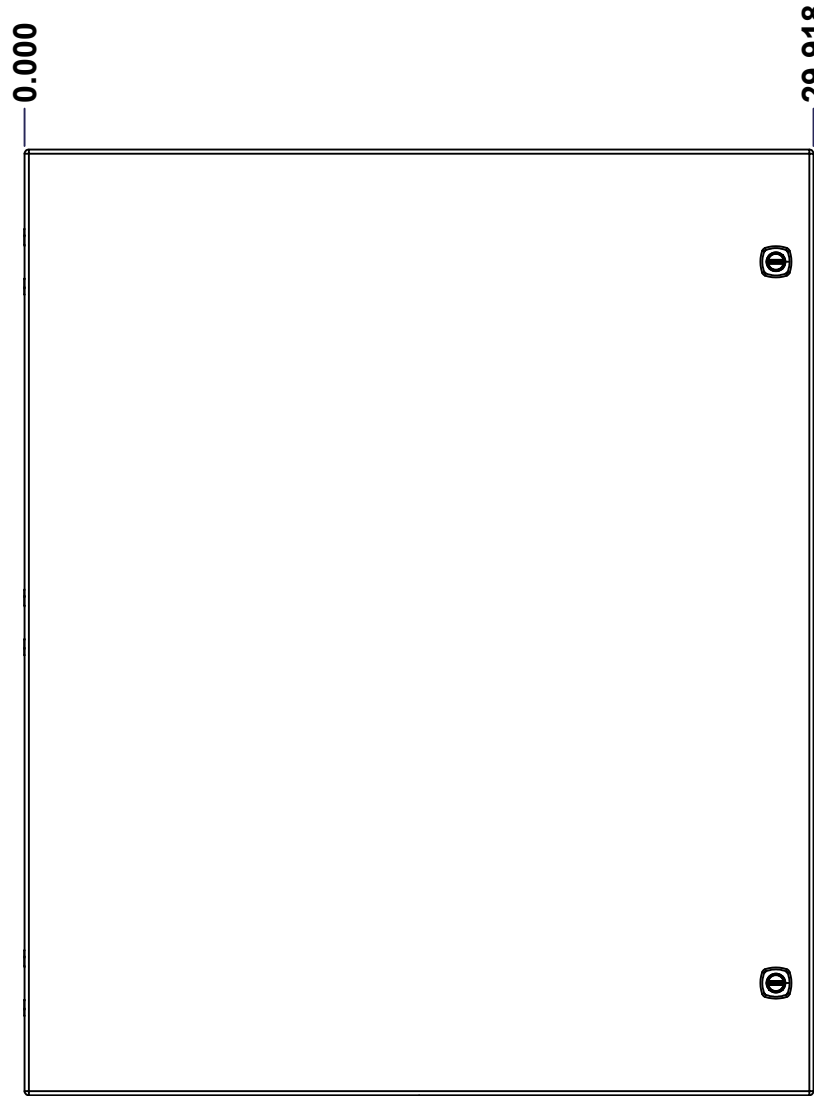
TOP



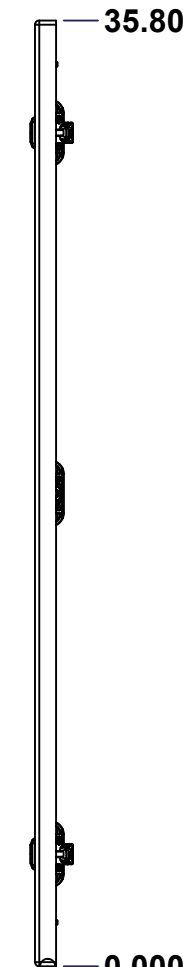
BACK



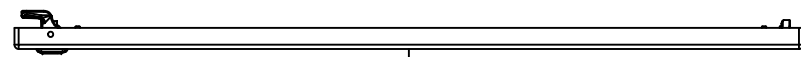
LEFT



FRONT

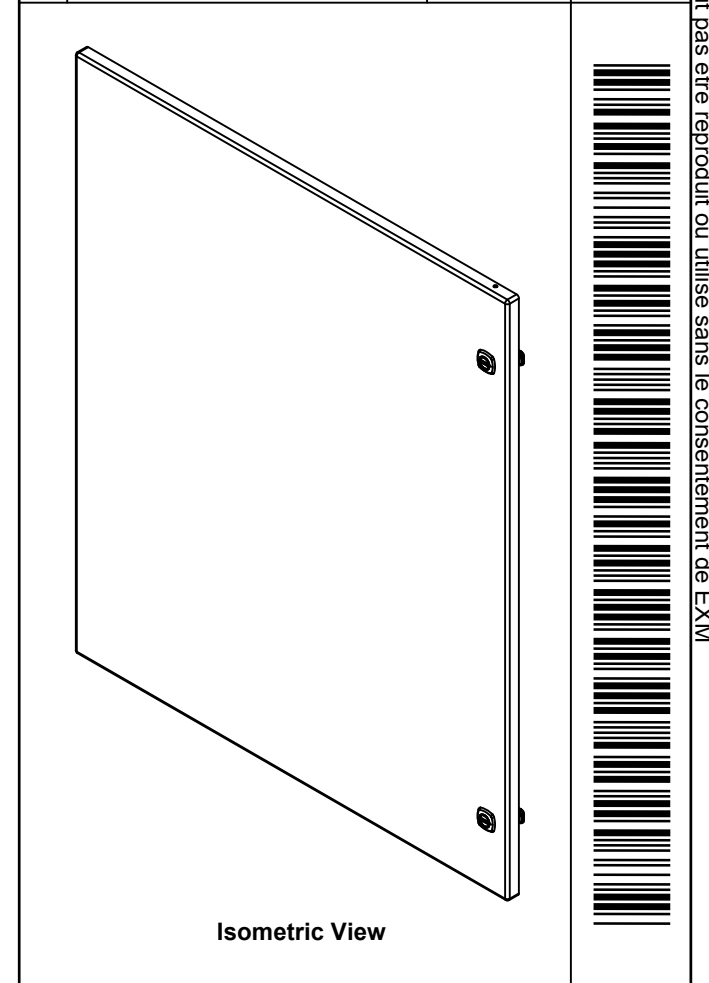



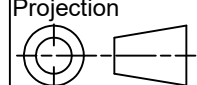
RIGHT



BOTTOM

| No. | Revisions | Date | By/Par |
|-----|-----------|------|--------|
|     |           |      |        |
|     |           |      |        |
|     |           |      |        |
|     |           |      |        |
|     |           |      |        |



|  |   |   |
|--|---|---|
|  Tél: (450) 979-4373<br>Fax: (450) 979-4626<br><a href="http://www.exmweb.com">www.exmweb.com</a> |   | Flatness<br>Aplatissement<br>Max 3.0mm<br>Projection<br> |
| Customer Client  | Date                                      |   |
| Drawn By<br>Dessiné Par  | BoxCad: BoxCad                            | Date 4/12/2017  |
| Material<br>Matière  | 14 Ga Cold Rolled A1008 CS Type B (1.7mm) |   |
| Color<br>Couleur   | Light Grey RAL7035                        | Finish<br>Fini Rough Textured   |
| Description  | Detail Rev.                               |   |
| 5412ES 36" x 30" Cover   |   |   |
| Part Number<br>Numéro Pièce  | Rev. 0                                    | 1 / 3   |
| <b>5412ESB363012C</b>  |   |   |

SEE BILL OF MATERIAL ON LAST PAGE

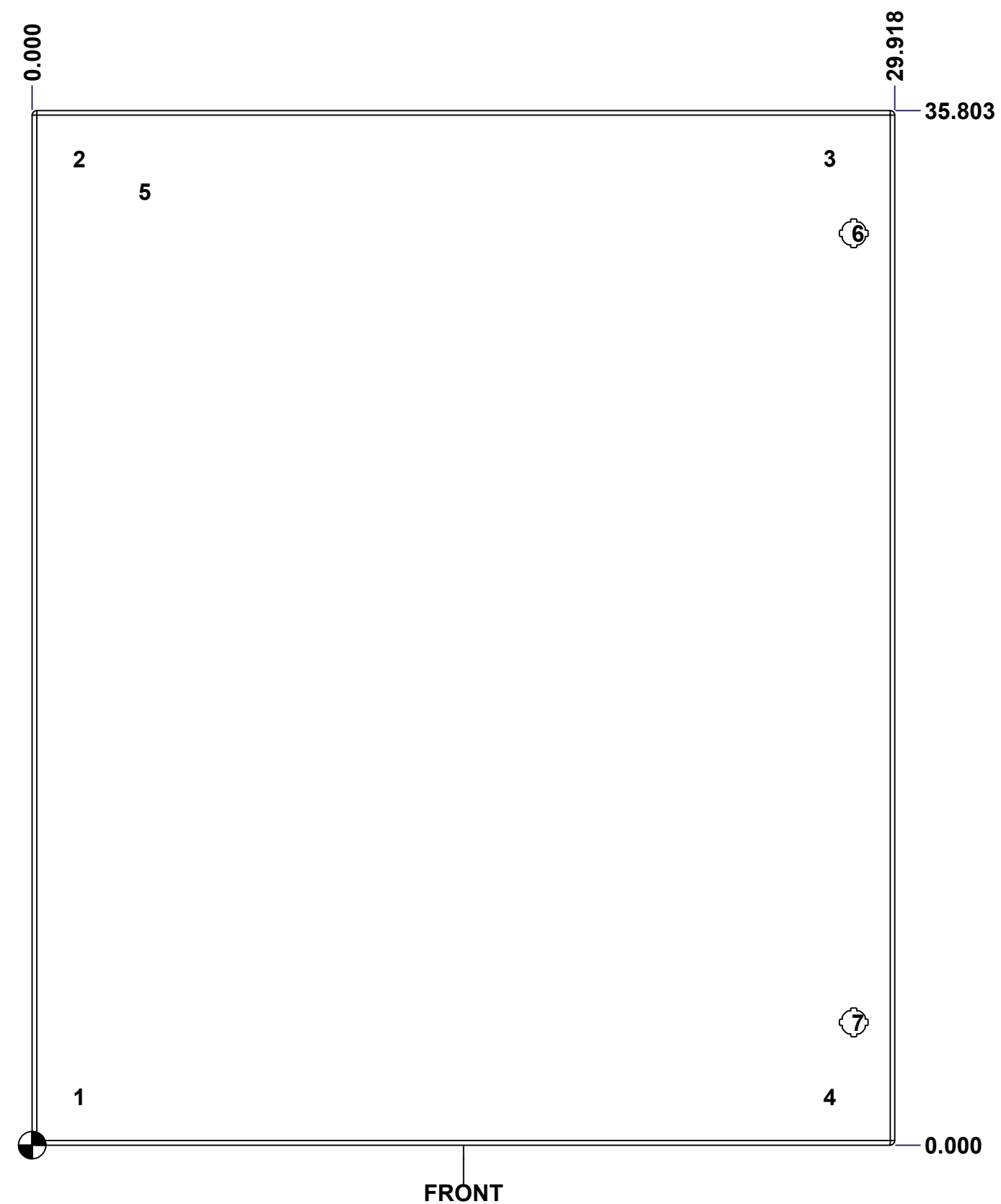
This drawing is confidential and must not be reproduced or used without the consent of EXM

Ce dessin est confidentiel et ne doit pas être reproduit ou utilisé sans le consentement de EXM

**STANDARD FEATURES ARE NOT LISTED IN THIS HOLE TABLE**

**HOLE TABLE - FRONT VIEW (CUSTOM FEATURE ONLY)**

| CUT-OUT | XDIM   | YDIM   | DESCRIPTION             |
|---------|--------|--------|-------------------------|
| 1       | 1.486  | 1.661  | STUD M6 x 18mm (Inside) |
| 2       | 1.486  | 34.142 | STUD M6 x 18mm (Inside) |
| 3       | 27.517 | 34.142 | STUD M6 x 18mm (Inside) |
| 4       | 27.517 | 1.661  | STUD M6 x 18mm (Inside) |
| -----   |        |        |                         |
| 5       | 3.750  | 33.000 | LABEL_EXM (Inside)      |
| 6       | 28.494 | 31.553 | LOCK 880 SCQ4-SL @ 0.0° |
| 7       | 28.494 | 4.250  | LOCK 880 SCQ4-SL @ 0.0° |



FRONT

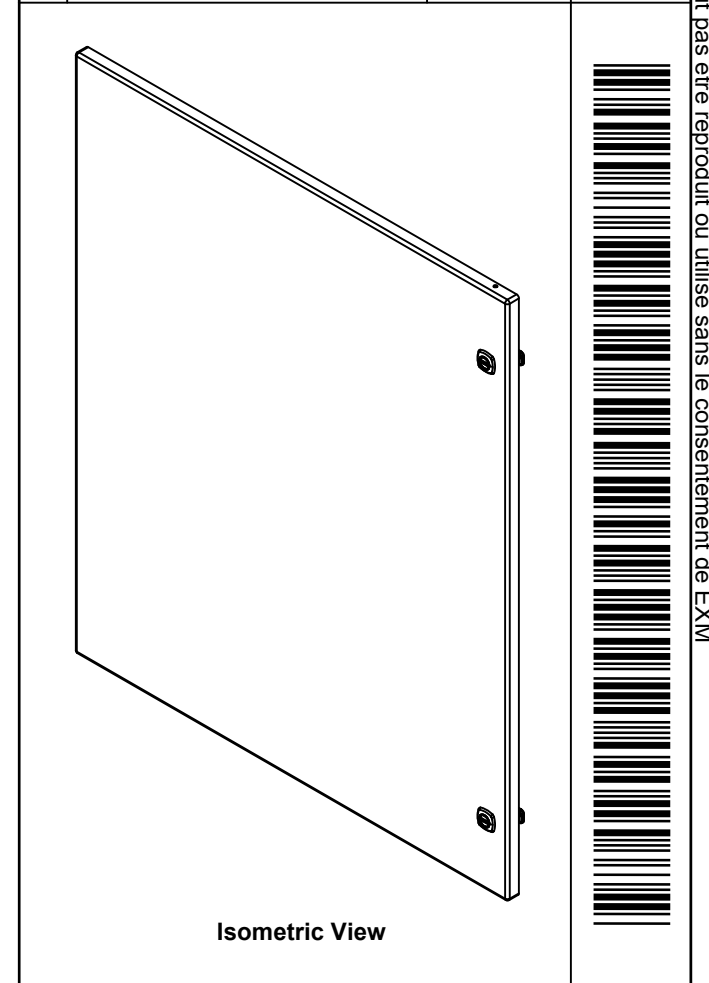
|  |                             |          |        |
|--|-----------------------------|----------|--------|
|  | Description                 | Status   |        |
|  | 5412ES 36" x 30" Cover      | (NULL)   |        |
|  | Part Number<br>Numéro Pièce | Rev.     |        |
|  | <b>5412ESB363012C</b>       | <b>0</b> | 2<br>3 |



This drawing is confidential and must not be reproduced or used without the consent of EXM

Ce dessin est confidentiel et ne doit pas être reproduit ou utilisé sans le consentement de EXM

| No. | Revisions | Date | By/Par |
|-----|-----------|------|--------|
|     |           |      |        |
|     |           |      |        |
|     |           |      |        |
|     |           |      |        |
|     |           |      |        |



**EXM**  
www.exm.com

Tél: (450) 979-4373  
Fax: (450) 979-4626  
[www.exmweb.com](http://www.exmweb.com)

Flatness  
Aplatissement  
Max 3.0mm

Projection

Customer Client \_\_\_\_\_ Date \_\_\_\_\_  
 Drawn By Dessiné Par BoxCad: BoxCad Date 4/12/2017

Material Matière 14 Ga Cold Rolled A1008 CS Type B (1.7mm)

Color Couleur Light Grey RAL7035 Finish Fini Rough Textured

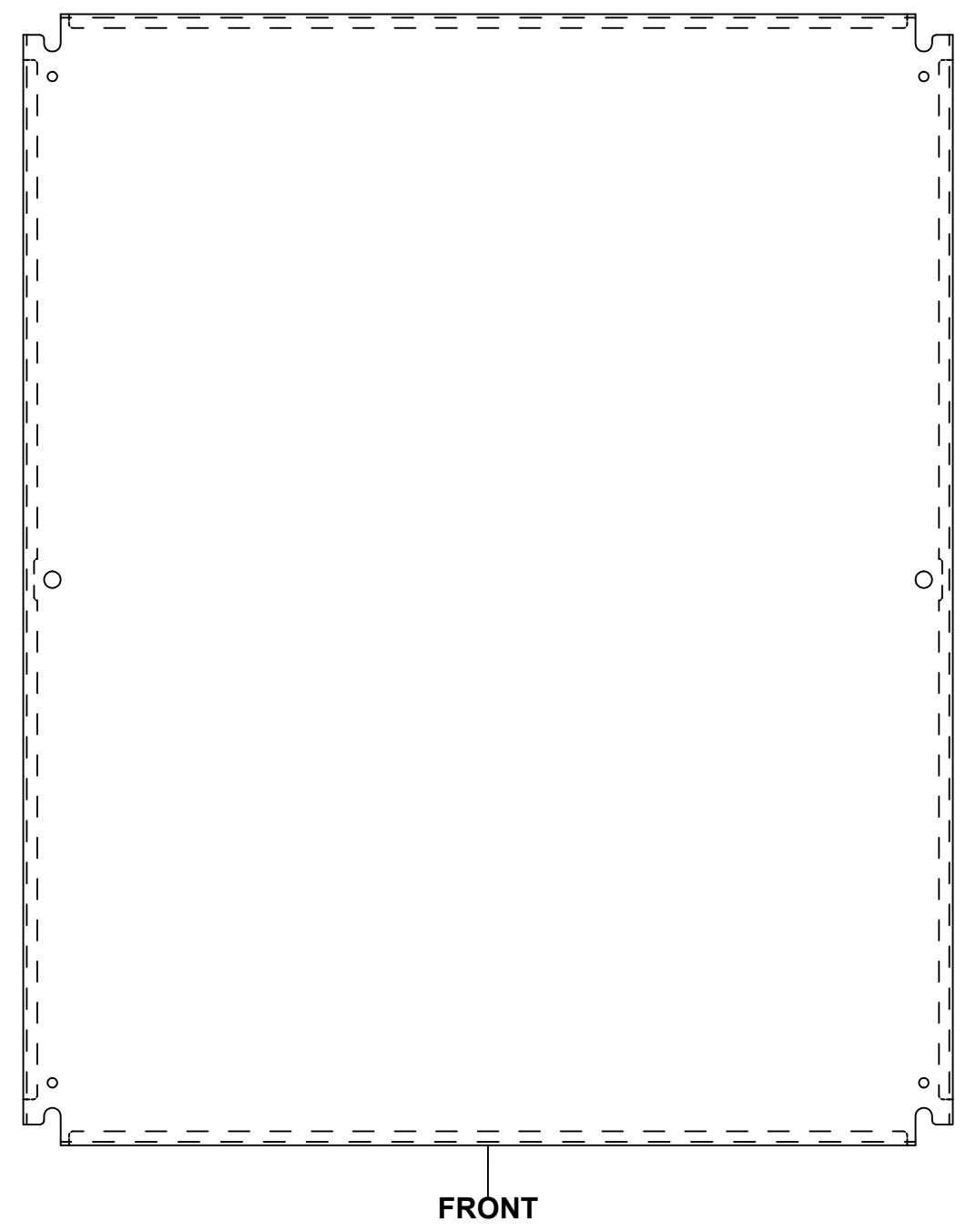
Description 5412ES 36" x 30" Cover Detail Rev. \_\_\_\_\_

Part Number Numéro Pièce **5412ESB363012C** Rev. **0** 3

| Qty        | Part Name        | Rev | Description                                |
|------------|------------------|-----|--|
| 1          | STK-S-00100      | 0   | 3.5" x 2" Silver Milar Flexcon Sticker     |
| 1          | STK-P-03820R     | 0   | Powder Paint (Light Grey / Rough Textured) |
| 2          | STK-Q-46020-36   | 5   | 5412 ES Vertical Door Stiffener 36"        |
| 4          | STK-Q-16055      | 1   | M6 x 18mm Stud (No Paint Cap Required)     |
| 1          | 5412ESB363012G   | 0   | 5412ES 36" x 30" Cover Gasket Part         |
| 1          | 5412ESB363012C-P | 0   | 5412ES 36" x 30" Cover Part                |
| 3          | STK-K-09800      | 10  | 5412 ES Hinge with 2 Captive Hinge Pins    |
| 2          | 880 SCQ4-SL      | 6   | 5412 ES 1/4 Turn Lock                      |
| 4          | STK-Q-07220      | 1   | M6 Nylon Insert Lock Nut                   |
| Parts List |                  |     |  |

This drawing is confidential and must not be reproduced or used without the consent of EXM

Ce dessin est confidentiel et ne doit pas être reproduit ou utilisé sans le consentement de EXM



| No. | Revisions | Date | By/Par |
|-----|-----------|------|--------|
|     |           |      |        |
|     |           |      |        |
|     |           |      |        |
|     |           |      |        |
|     |           |      |        |



|  |               |  |
|--|---------------|--|
| Tél: (450) 979-4373<br>Fax: (450) 979-4626<br>www.exmweb.com |               | Flatness<br>Aplatissement<br>Max 3.0mm<br>Projection<br> |
| Customer Client  | Date          |  |
| Drawn By<br>Dessiné Par                                      | BoxCad        | Date 1/23/2007   |
| Material<br>Matière  | See Part List |  |
| Color<br>Couleur   | See Part List | Finish<br>Fini See Part List                             |
| Description  |               | Detail Rev.  |
| 881 SP - Inner Panel   |               |  |
| Part Number<br>Numéro Pièce                                  | 881 SP3630G   | Rev. 1<br>0 2  |

| Qty | Part Number   | Rev | Description               | Material         | Color     | Finish     |
|-----|---------------|-----|---------------------------|------------------|-----------|------------|
| 1   | 881 SP3630G-P | 0   | 881 SP - Inner Panel Part | 12 Ga Galvanized | Unpainted | Galvanized |

Parts List

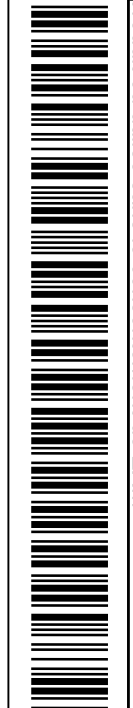
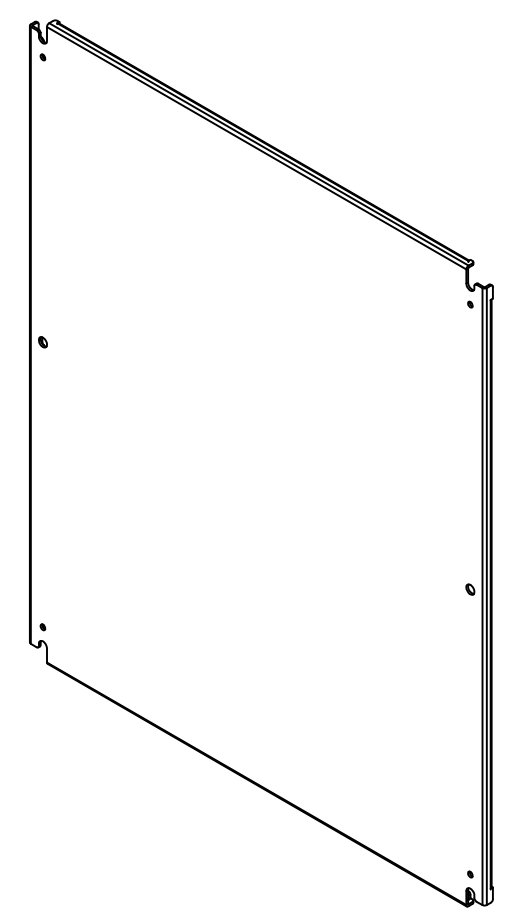
This drawing is confidential and must not be reproduced or used without the consent of EXM

Ce dessin est confidentiel et ne doit pas être reproduit ou utilisé sans le consentement de EXM

| Table 1 |        |        | FRONT VIEW                 |
|---------|--------|--------|----------------------------|
| CUT-OUT | XDIM   | YDIM   | DESCRIPTION                |
| 1       | 0.875  | 1.875  | GROUND HOLE (RND Ø0.290)   |
| 2       | 27.125 | 1.875  | GROUND HOLE (RND Ø0.290)   |
| 3       | 0.875  | 32.125 | GROUND HOLE (RND Ø0.290)   |
| 4       | 27.125 | 32.125 | GROUND HOLE (RND Ø0.290)   |
| 5       | 0.875  | 17.000 | MTG STUD HOLE (RND Ø0.500) |
| 6       | 27.125 | 17.000 | MTG STUD HOLE (RND Ø0.500) |

All knockouts are actual size / Les disques défonçables sont grandeur réel

| No. | Revisions | Date | By/Par |
|-----|-----------|------|--------|
|     |           |      |        |
|     |           |      |        |
|     |           |      |        |
|     |           |      |        |
|     |           |      |        |



|                             |  |                              |
|-----------------------------|--|------------------------------|
|                             | Tél: (450) 979-4373<br>Fax: (450) 979-4626<br>www.exmweb.com | Flatness<br>Aplatissement    |
|                             |  | Max 3.0mm                    |
| Projection                  |  |                              |
| Customer<br>Client          | Date   |                              |
| Drawn By<br>Dessiné Par     | BoxCad   | Date 1/23/2007               |
| Material<br>Matière         | See Part List  |                              |
| Color<br>Couleur            | See Part List  | Finish<br>Fini See Part List |
| Description                 | Detail Rev.  |                              |
| 881 SP - Inner Panel        |  |                              |
| Part Number<br>Numéro Pièce | Rev.   | 2                            |
| <b>881 SP3630G</b>          | <b>0</b>   | 2                            |