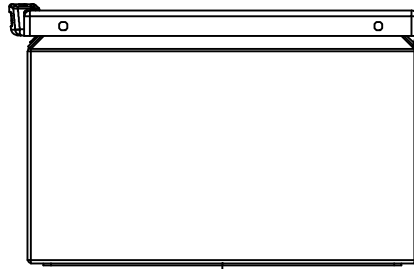
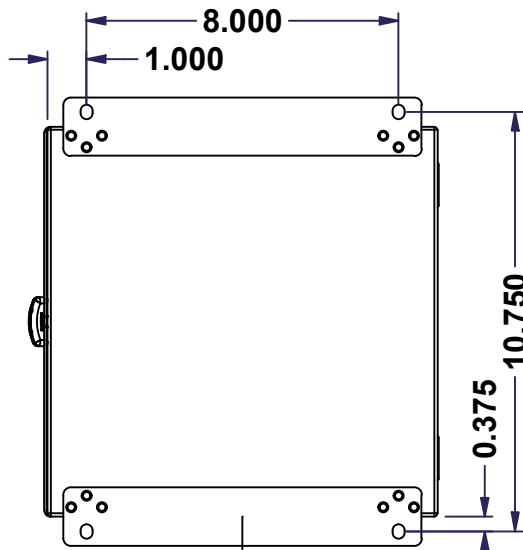


This drawing is confidential and must not be reproduced or used without the consent of EXM

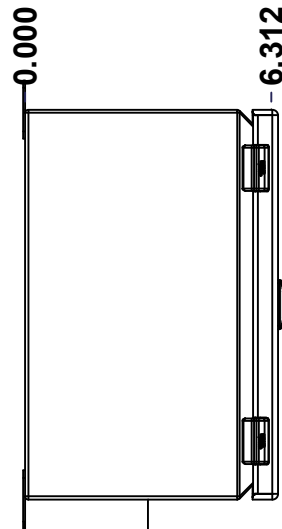
Ce dessin est confidentiel et ne doit pas être reproduit ou utilisé sans le consentement de EXM



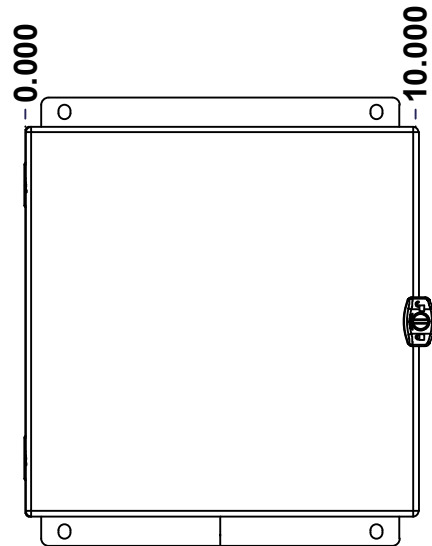
TOP



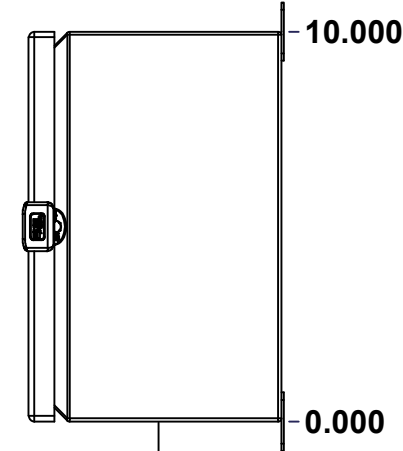
BACK



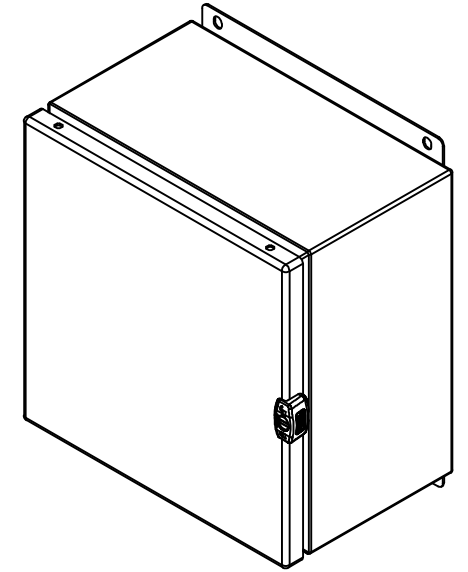
LEFT



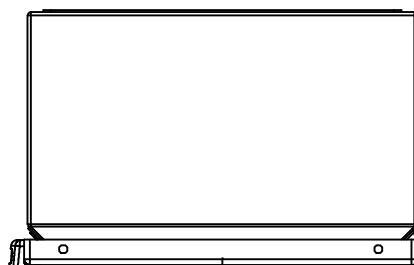
FRONT



RIGHT


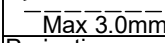
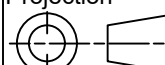


Isometric View



BOTTOM

| No. | Revisions | Date | By/Par |
|-----|-----------|------|--------|
|     |           |      |        |
|     |           |      |        |
|     |           |      |        |
|     |           |      |        |
|     |           |      |        |

|  |                       |   |
|--|-----------------------|---|
|  Tél: (450) 979-4373<br>Fax: (450) 979-4626<br><a href="http://www.exmweb.com">www.exmweb.com</a> |                       | Flatness<br>Aplatissement<br> Max 3.0mm<br>Projection<br> |
| Customer<br>Client   | Date                  |   |
| Drawn By<br>Dessiné Par BoxCad: BoxCad   | Date 08-Mar-23        |   |
| Material<br>Matière 16 Ga Cold Rolled A1008 CS Type B (1.4mm)  |                       |   |
| Color<br>Couleur Asa-61 Grey   | Finish<br>Fini Smooth |   |
| Description<br>5412ESCH 10" x 10" x 6" Assembly  | Detail Rev.           |   |
| Part Number<br>Numéro Pièce 5412ESCH101006NOIP   | Rev. 0                | 1/9   |

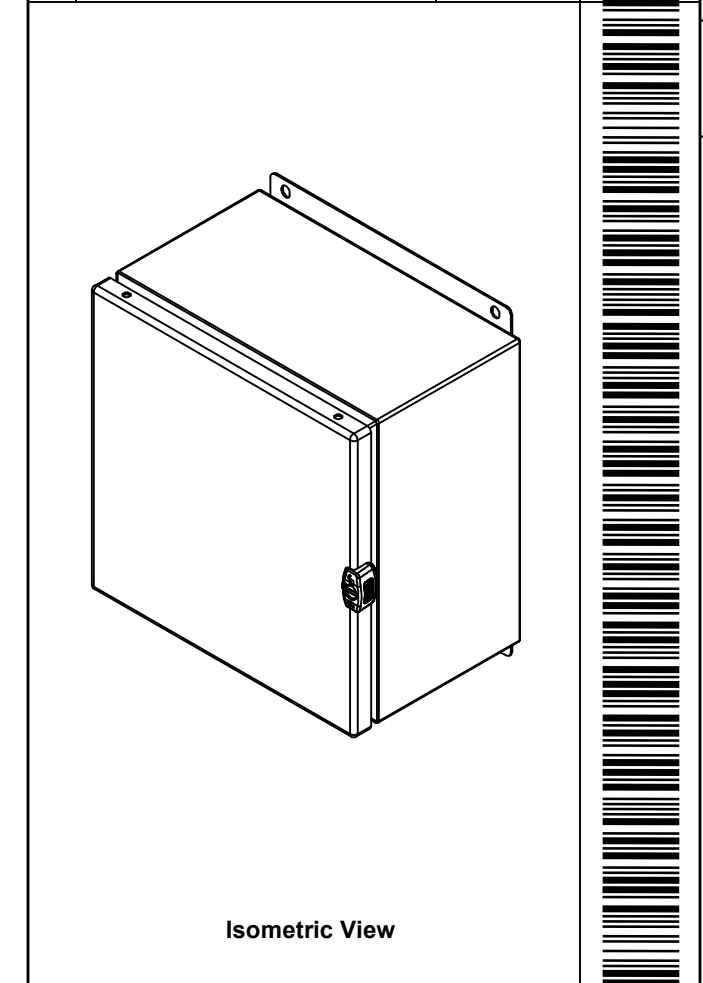
SEE BILL OF MATERIAL ON LAST PAGE

This drawing is confidential and must not be reproduced or used without the consent of EXM

Ce dessin est confidentiel et ne doit pas être reproduit ou utilisé sans le consentement de EXM

| NOTE |  |
|------|--|
| ITEM | DESCRIPTION                                    |
| 1    | NEMA 4/12 Enclosure                            |
| 2    | C/W Standard ground standoffs on box and cover |
| 3    | W/O Standard door stiffener                    |
| 4    | W/O Inner panel                                |
| 5    | C/W Standard inner panel mounting standoffs    |

| No. | Revisions | Date | By/Par |
|-----|-----------|------|--------|
|     |           |      |        |
|     |           |      |        |
|     |           |      |        |
|     |           |      |        |
|     |           |      |        |
|     |           |      |        |



|                                  |  |  |
|----------------------------------|--|--|
|                                  | Tél: (450) 979-4373<br>Fax: (450) 979-4626<br><a href="http://www.exmweb.com">www.exmweb.com</a> | Flatness<br>Aplatissement<br>Max 3.0mm<br>Projection |
|                                  |  |  |
| Customer Client                  | Date   |  |
| Drawn By<br>Dessiné Par          | BoxCad: BoxCad   | Date 08-Mar-23                                       |
| Material<br>Matière              | 16 Ga Cold Rolled A1008 CS Type B (1.4mm)  |  |
| Color<br>Couleur                 | Asa-61 Grey  | Finish<br>Fini Smooth                                |
| Description                      | Detail Rev.  |  |
| 5412ESCH 10" x 10" x 6" Assembly |  |  |
| Part Number<br>Numéro Pièce      | Rev. 0   | 2<br>9   |
| 5412ESCH101006NOIP               |  |  |

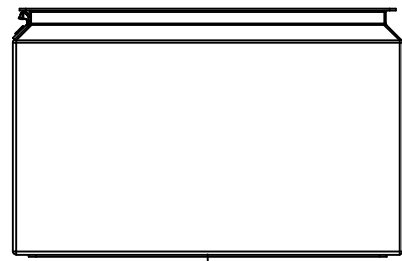
| PACKING         |     |  |
|-----------------|-----|--|
| ITEM            | QTY | DESCRIPTION                                |
| STK-E-04313     | 1   | CARTON 5412 ESCH101006                     |
| Plastic bag     | 1   | To protect cover surface and inside gasket |
| Packaging label | 1   | White label with product number            |
| STK-S-01100     | 1   | ESCH EXM SQUARE STICKER                    |

| Qty | Part Number         | Rev | Description                  |
|-----|---------------------|-----|------------------------------|
| 1   | STK-K-02910         | 3   | 5412 ESCH Accessory Kit      |
| 1   | 5412ESCH101006NOIPC | 0   | 5412ESCH 10" x 10" Cover     |
| 1   | 5412ESCH101006NOIPB | 0   | 5412ESCH 10" x 10" x 6" Body |
| 2   | STK-Q-08100         | 1   | M5 Nylon Insert Lock Nut     |
| 2   | STK-Q-10249         | 0   | M5 Sealing Washer            |

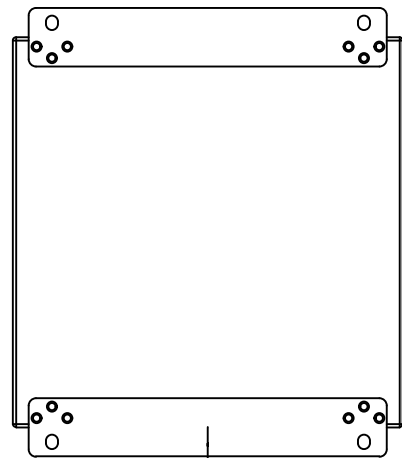
Parts List

This drawing is confidential and must not be reproduced or used without the consent of EXM

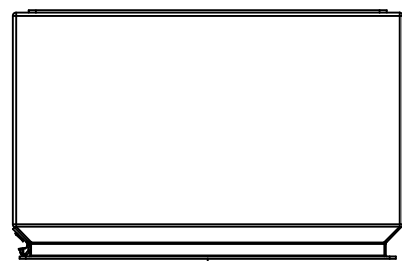
Ce dessin est confidentiel et ne doit pas être reproduit ou utilisé sans le consentement de EXM



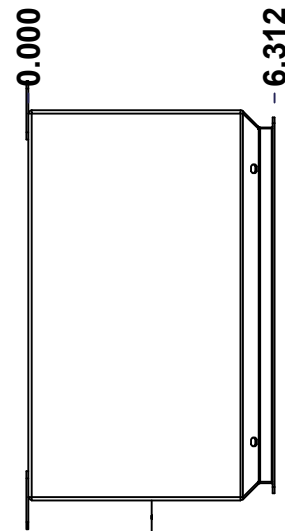
TOP



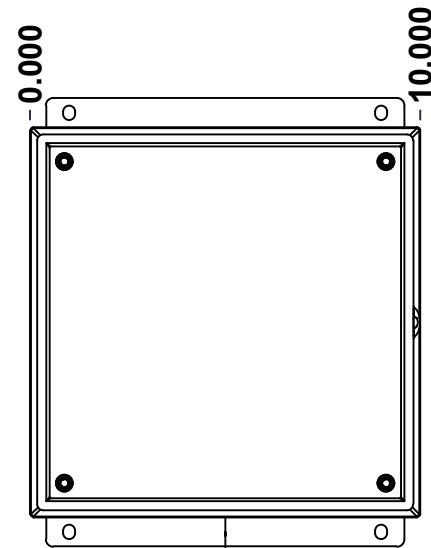
BACK



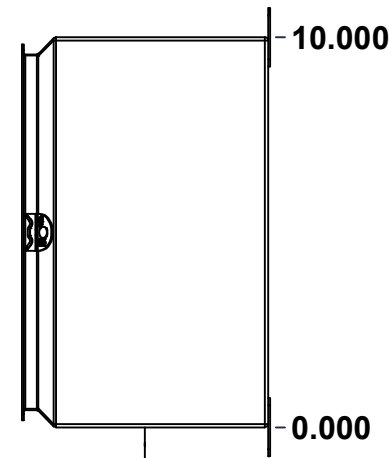
BOTTOM



LEFT

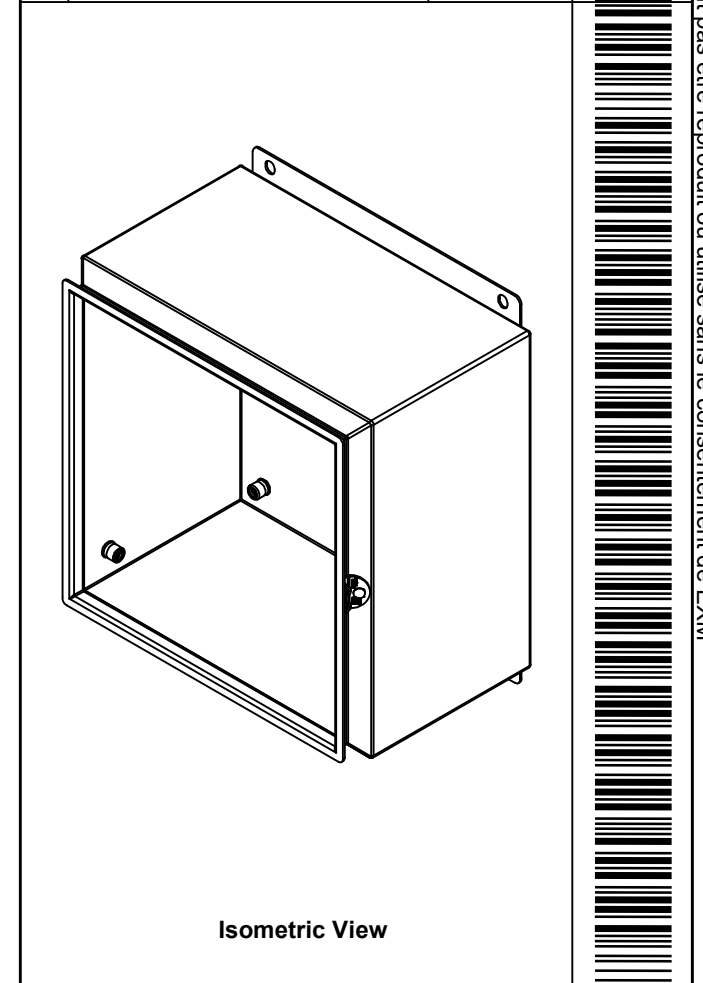


FRONT




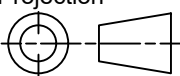
RIGHT

| No. | Revisions | Date | By/Par |
|-----|-----------|------|--------|
|     |           |      |        |
|     |           |      |        |
|     |           |      |        |
|     |           |      |        |



Isometric View



|  |   |   |
|--|---|---|
|  Tél: (450) 979-4373<br>Fax: (450) 979-4626<br><a href="http://www.exmweb.com">www.exmweb.com</a> |   | Flatness<br>Aplatissement<br>Max 3.0mm<br>Projection<br> |
| Customer Client  | Date                                      |   |
| Drawn By<br>Dessiné Par  | BoxCad: BoxCad                            | Date 08-Mar-23  |
| Material<br>Matière  | 16 Ga Cold Rolled A1008 CS Type B (1.4mm) |   |
| Color<br>Couleur   | Asa-61 Grey                               | Finish<br>Fini Smooth   |
| Description  | Detail Rev.                               |   |
| 5412ESCH 10" x 10" x 6" Body   |   |   |
| Part Number<br>Numéro Pièce  | Rev. 0                                    | 3<br>9  |

SEE BILL OF MATERIAL ON LAST PAGE

**5412ESCH101006NOIPB**

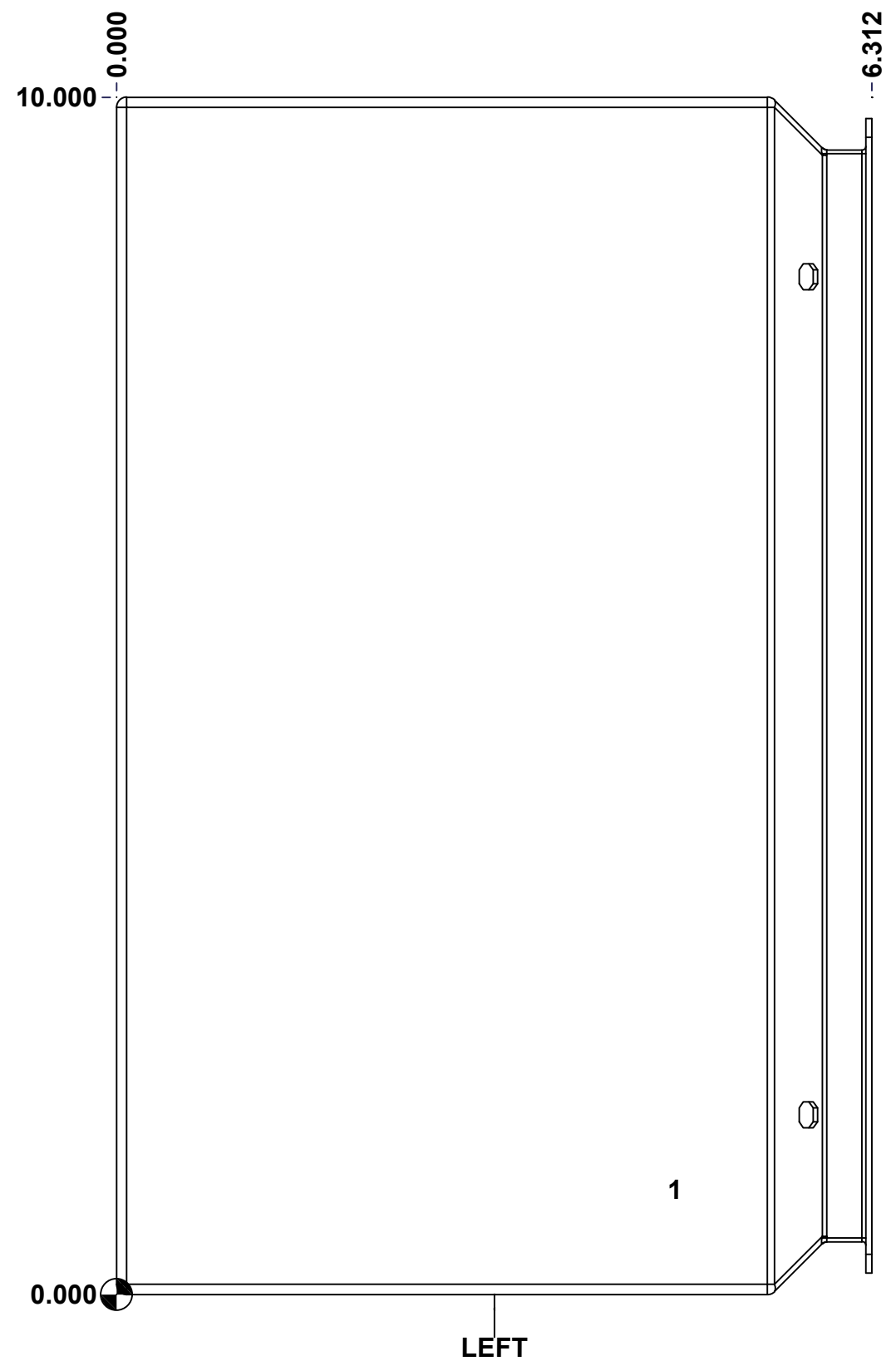
This drawing is confidential and must not be reproduced or used without the consent of EXM

Ce dessin est confidentiel et ne doit pas être reproduit ou utilisé sans le consentement de EXM

**STANDARD FEATURES ARE NOT LISTED IN THIS HOLE TABLE**

**HOLE TABLE - LEFT VIEW (CUSTOM FEATURE ONLY)**

| CUT-OUT | XDIM  | YDIM  | DESCRIPTION                 |
|---------|-------|-------|-----------------------------|
| 1       | 4.625 | 0.875 | STANDOFF M6 x 10mm (Inside) |



|   |                              |        |
|---|------------------------------|--------|
|   | Description                  | Status |
|   | 5412ESCH 10" x 10" x 6" Body | (NULL) |
| Part Number<br>Numéro Pièce<br><b>5412ESCH101006NOIPB</b> | Rev.                         | 4      |
|   | <b>0</b>                     | 9      |

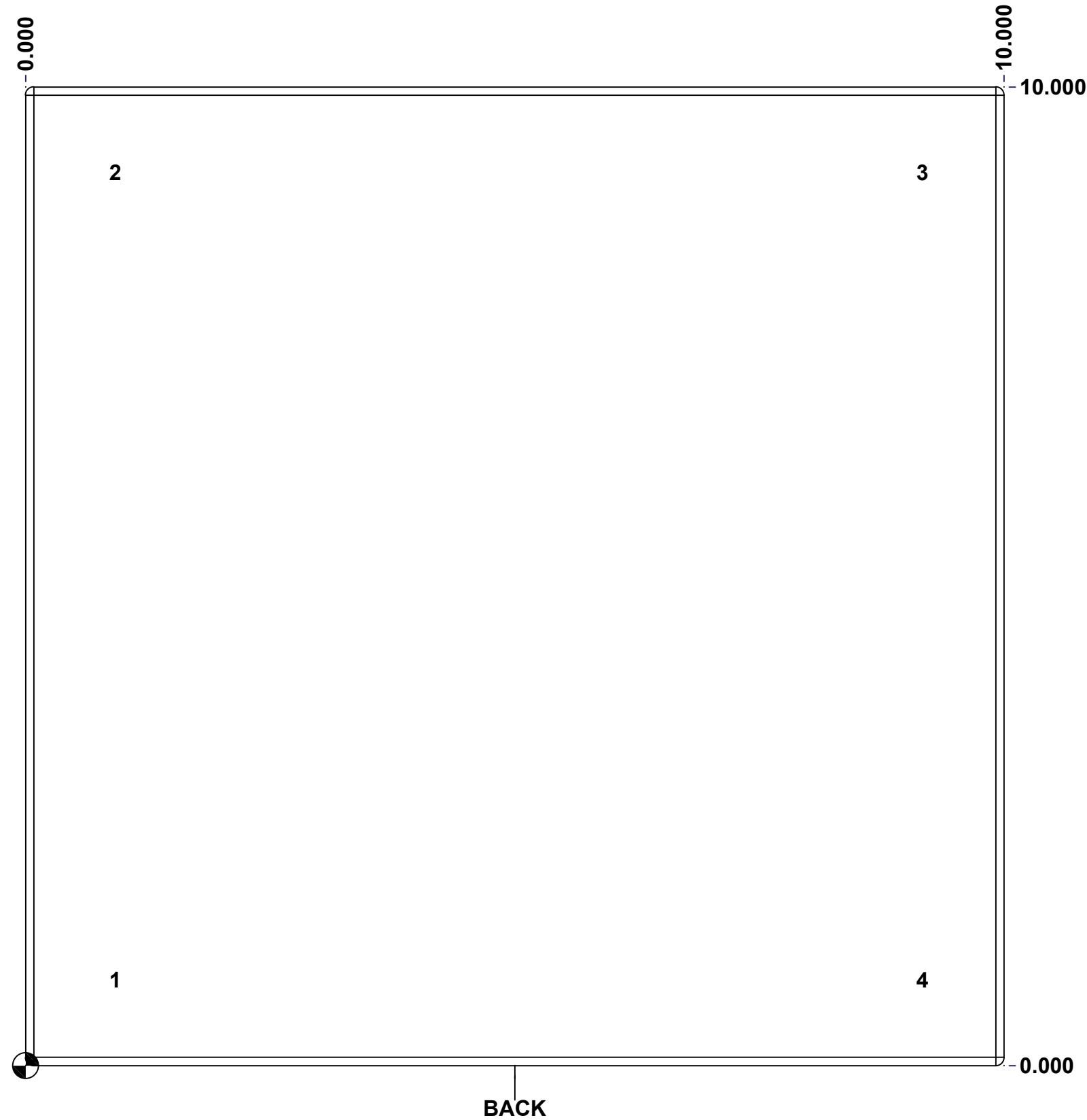
This drawing is confidential and must not be reproduced or used without the consent of EXM

Ce dessin est confidentiel et ne doit pas être reproduit ou utilisé sans le consentement de EXM

**STANDARD FEATURES ARE NOT LISTED IN THIS HOLE TABLE**

**HOLE TABLE - BACK VIEW (CUSTOM FEATURE ONLY)**

| CUT-OUT | XDIM  | YDIM  | DESCRIPTION                    |
|---------|-------|-------|--------------------------------|
| 1       | 0.875 | 0.875 | IP STANDOFF M6 x 10mm (Inside) |
| 2       | 0.875 | 9.125 | IP STANDOFF M6 x 10mm (Inside) |
| 3       | 9.125 | 9.125 | IP STANDOFF M6 x 10mm (Inside) |
| 4       | 9.125 | 0.875 | IP STANDOFF M6 x 10mm (Inside) |

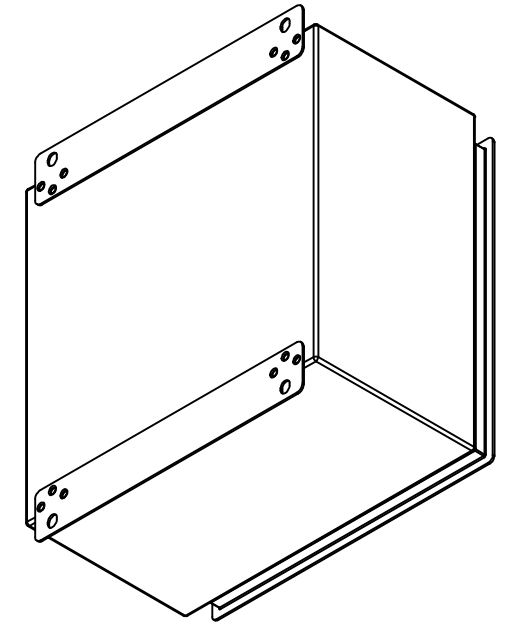


|                             |                              |          |        |
|-----------------------------|------------------------------|----------|--------|
|                             | Description                  |          | Status |
|                             | 5412ESCH 10" x 10" x 6" Body |          | (NULL) |
| Part Number<br>Numéro Pièce |                              | Rev.     |        |
| <b>5412ESCH101006NOIPB</b>  |                              | <b>0</b> | 5<br>9 |

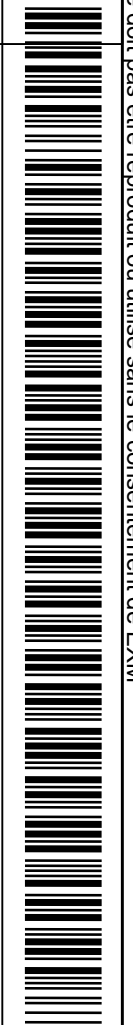
This drawing is confidential and must not be reproduced or used without the consent of EXM

Ce dessin est confidentiel et ne doit pas être reproduit ou utilisé sans le consentement de EXM

| No. | Revisions | Date | By/Par |
|-----|-----------|------|--------|
|     |           |      |        |
|     |           |      |        |
|     |           |      |        |
|     |           |      |        |
|     |           |      |        |



Isometric View



Tél: (450) 979-4373  
 Fax: (450) 979-4626  
[www.exmweb.com](http://www.exmweb.com)

Flatness  
Aplatissement  
Max 3.0mm  
Projection

Customer Client  
 Drawn By Dessiné Par BoxCad: BoxCad  
 Date 08-Mar-23

Material Matière 16 Ga Cold Rolled A1008 CS Type B (1.4mm)

Color Couleur Asa-61 Grey  
 Finish Fini Smooth

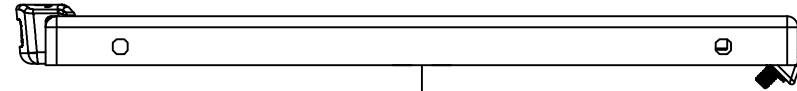
Description 5412ESCH 10" x 10" x 6" Body  
 Detail Rev.

Part Number Numéro Pièce **5412ESCH101006NOIPB**  
 Rev. 0

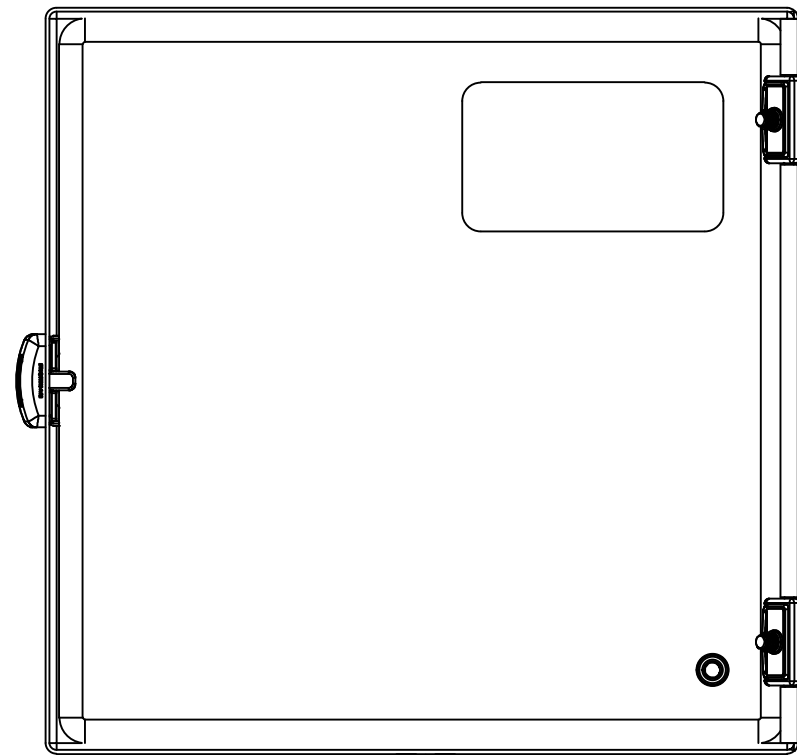
| Qty        | Part Number           | Rev | Description   |
|------------|-----------------------|-----|---|
| 1          | STK-A-70469           | 6   | 5412 ESSMCH - Stainless Steel 316 Body Catch Assembly |
| 1          | STK-Q-08100           | 1   | M5 Nylon Insert Lock Nut                              |
| 2          | STK-Q-71305-10        | 0   | 5412ESCH Mounting Feet ( 9.181" )                     |
| 1          | 5412ESCH101006NOIPB-P | 0   | 5412ESCH 10" x 10" x 6" Body Part                     |
| 1          | STK-P-02400S          | 0   | Powder Paint (Asa-61 Grey / Smooth)                   |
| 5          | STK-Q-08350           | 5   | Standoff M6 x 10mm                                    |
| Parts List |                       |     |   |

This drawing is confidential and must not be reproduced or used without the consent of EXM

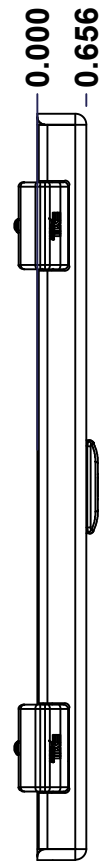
Ce dessin est confidentiel et ne doit pas être reproduit ou utilisé sans le consentement de EXM



TOP

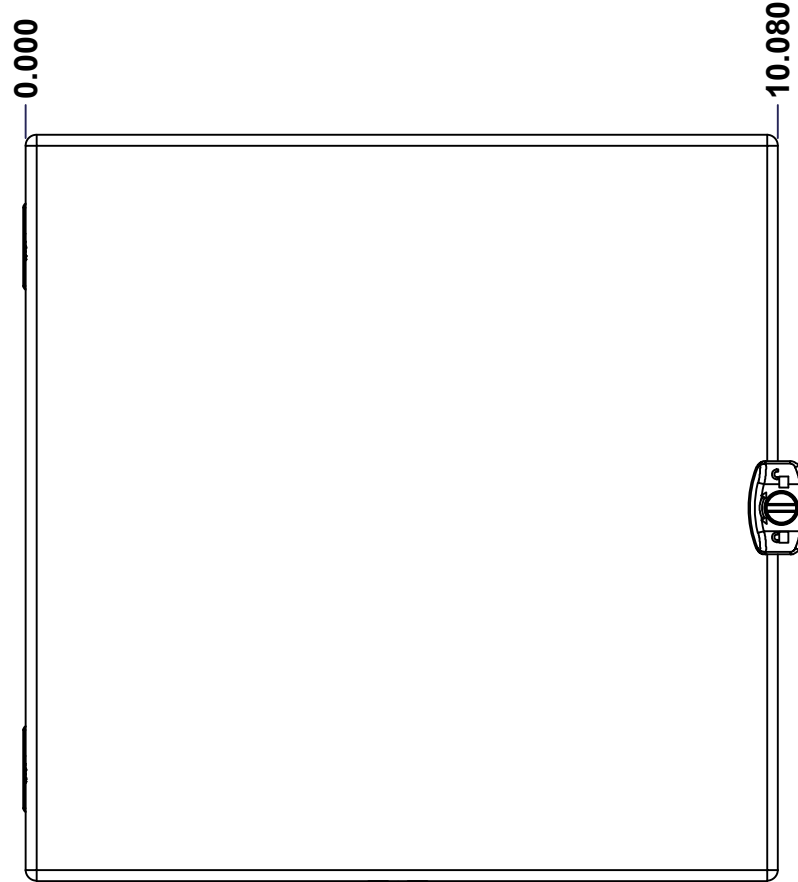


BACK



LEFT

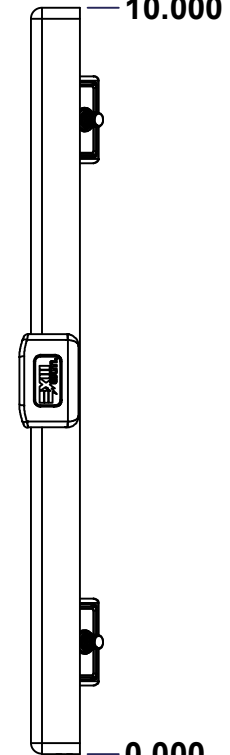
0.000  
0.656



FRONT

0.000

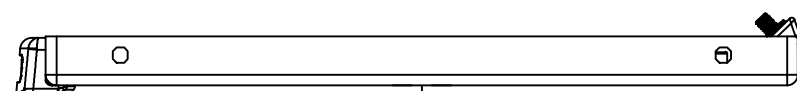
10.080



RIGHT

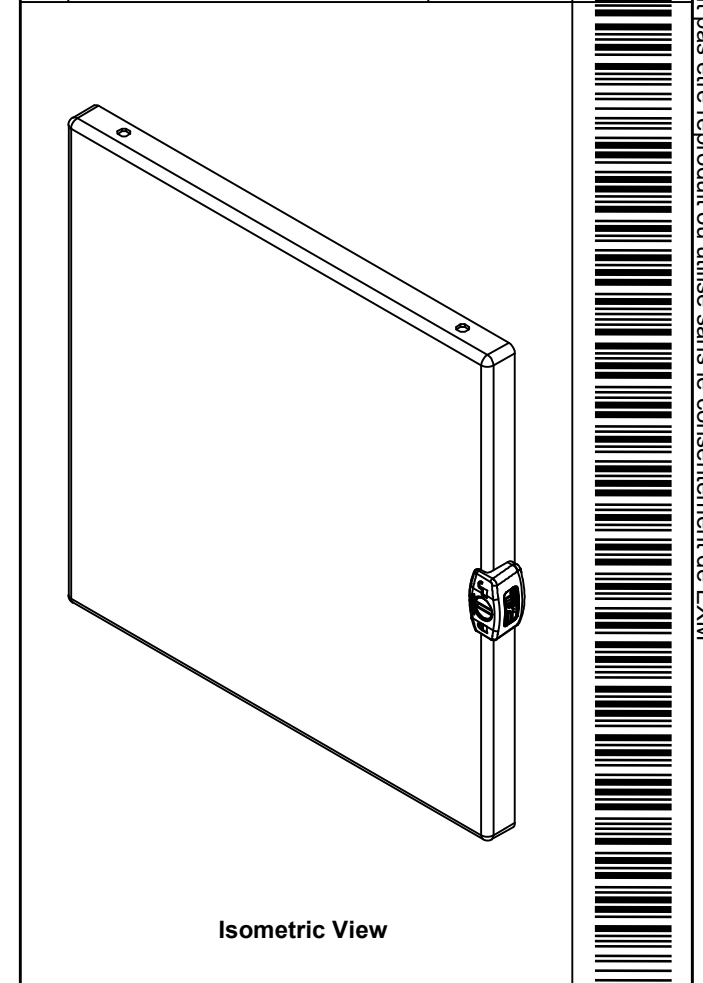
10.000

0.000




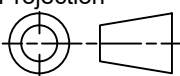
BOTTOM

| No. | Revisions | Date | By/Par |
|-----|-----------|------|--------|
|     |           |      |        |
|     |           |      |        |
|     |           |      |        |
|     |           |      |        |



Isometric View



|  |   |   |
|--|---|---|
|  Tél: (450) 979-4373<br>Fax: (450) 979-4626<br><a href="http://www.exmweb.com">www.exmweb.com</a> |   | Flatness<br>Aplatissement<br>Max 3.0mm<br>Projection<br> |
| Customer Client  | Date                                      |   |
| Drawn By<br>Dessiné Par  | BoxCad: BoxCad                            | Date 08-Mar-23  |
| Material<br>Matière  | 16 Ga Cold Rolled A1008 CS Type B (1.4mm) |   |
| Color<br>Couleur   | Asa-61 Grey                               | Finish<br>Fini Smooth   |
| Description  | Detail Rev.                               |   |
| 5412ESCH 10" x 10" Cover   |   |   |
| Part Number<br>Numéro Pièce  | Rev. 0                                    | 7<br>9  |

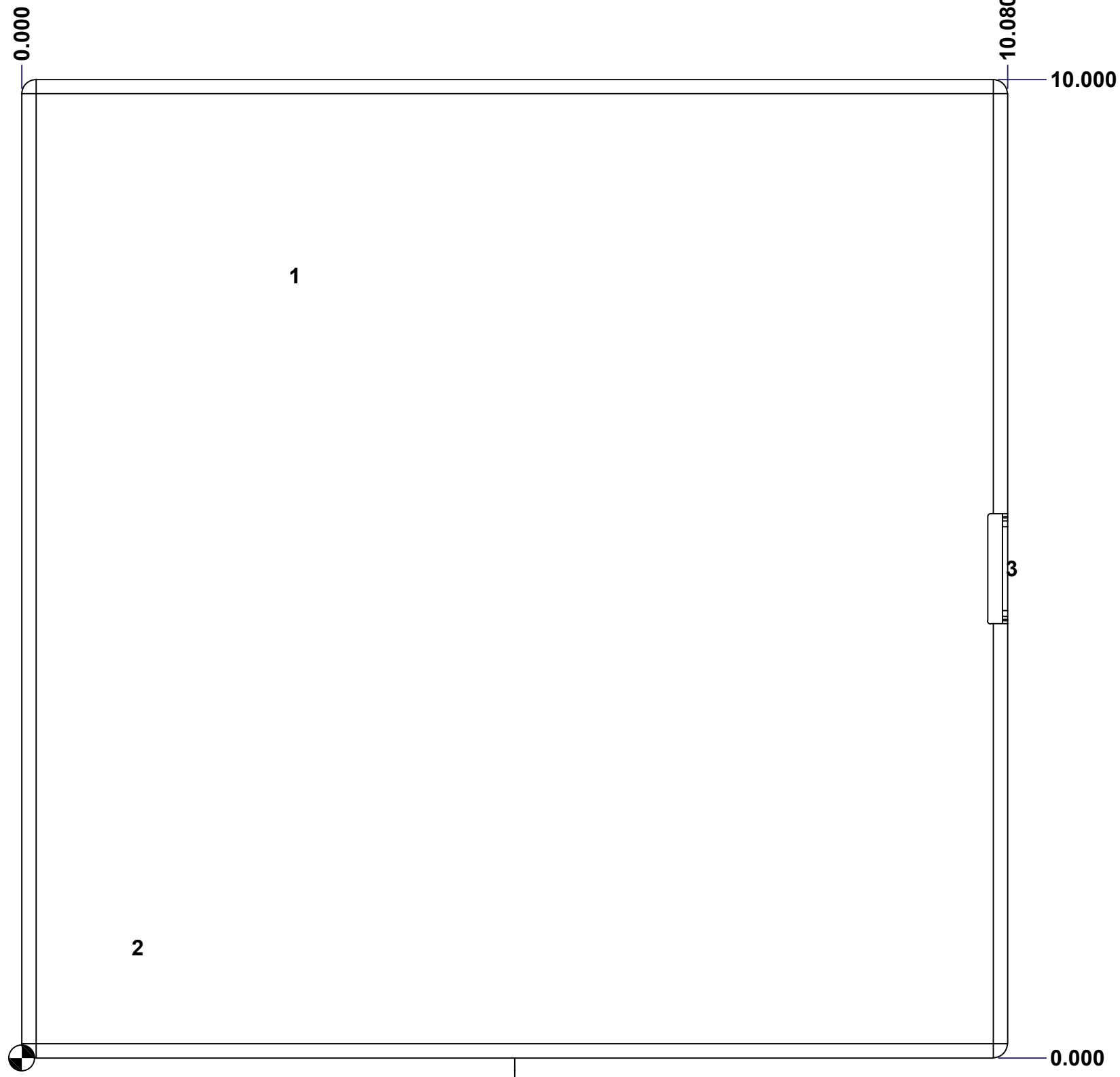
SEE BILL OF MATERIAL ON LAST PAGE

**5412ESCH101006NOIPC**

This drawing is confidential and must not be reproduced or used without the consent of EXM

Ce dessin est confidentiel et ne doit pas être reproduit ou utilisé sans le consentement de EXM

| STANDARD FEATURES ARE NOT LISTED IN THIS HOLE TABLE |        |       |                             |
|---|--------|-------|-----------------------------|
| HOLE TABLE - FRONT VIEW (CUSTOM FEATURE ONLY)       |        |       |                             |
| CUT-OUT   | XDIM   | YDIM  | DESCRIPTION                 |
| 1   | 2.750  | 8.000 | LABEL_EXM                   |
| 2   | 1.145  | 1.125 | STANDOFF M6 x 10mm (Inside) |
| 3   | 10.080 | 5.000 | LOCK 880 SCQ2MS @ 0.0°      |



FRONT

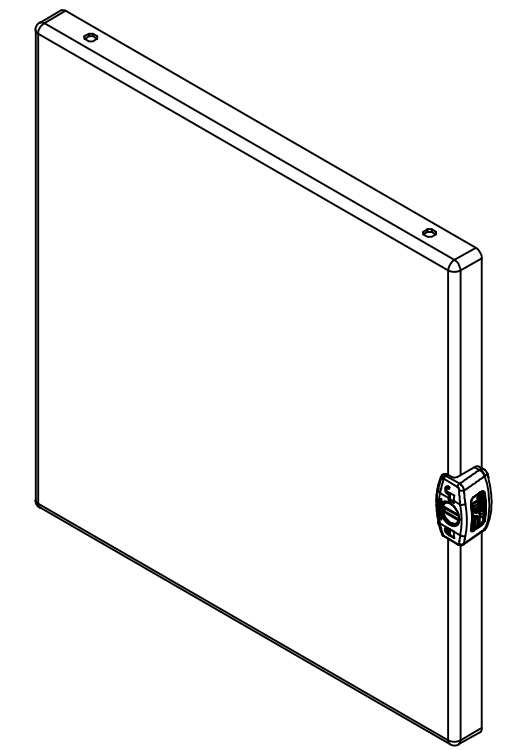
|  |                             |          |
|--|-----------------------------|----------|
|  | Description                 | Status   |
|  | 5412ESCH 10" x 10" Cover    | (NULL)   |
|  | Part Number<br>Numéro Pièce | Rev.     |
|  | <b>5412ESCH101006NOIPC</b>  | <b>0</b> |
|  |                             | 8        |
|  |                             | 9        |



This drawing is confidential and must not be reproduced or used without the consent of EXM

Ce dessin est confidentiel et ne doit pas être reproduit ou utilisé sans le consentement de EXM

| No. | Revisions | Date | By/Par |
|-----|-----------|------|--------|
|     |           |      |        |
|     |           |      |        |
|     |           |      |        |
|     |           |      |        |
|     |           |      |        |



Isometric View




 Tél: (450) 979-4373  
 Fax: (450) 979-4626  
[www.exmweb.com](http://www.exmweb.com)

Flatness / Aplatissement: Max 3.0mm  
 Projection: 

|  |                 |
|--|-----------------|
| Customer Client                        | Date            |
| Drawn By / Dessiné Par: BoxCad: BoxCad | Date: 08-Mar-23 |

Material / Matière: 16 Ga Cold Rolled A1008 CS Type B (1.4mm)

|                              |                       |
|------------------------------|-----------------------|
| Color / Couleur: Asa-61 Grey | Finish / Fini: Smooth |
|------------------------------|-----------------------|

Description: 5412ESCH 10" x 10" Cover

Detail Rev.

|  |        |   |
|--|--------|---|
| Part Number / Numéro Pièce: <b>5412ESCH101006NOIPC</b> | Rev. 0 | 9 |
|--|--------|---|

| Qty        | Part Number           | Rev | Description                                 |
|------------|-----------------------|-----|---|
| 1          | 880SCQ2MS             | 3   | 5412 ESMCH - External Lock Assy - Slot Lock |
| 1          | 5412ESCH101006NOIPG   | 0   | 5412ESCH 10" x 10" Gasket                   |
| 1          | STK-Q-08350           | 5   | Standoff M6 x 10mm                          |
| 1          | STK-S-00100           | 0   | 3.5" x 2" Silver Milar Flexcon Sticker      |
| 1          | STK-P-02400S          | 0   | Powder Paint (Asa-61 Grey / Smooth)         |
| 1          | 5412ESCH101006NOIPC-P | 0   | 5412ESCH 10" x 10" Cover Part               |
| 2          | STK-A-33033           | 4   | 5412 ESMCH Hinge                            |
| Parts List |                       |     |   |